

Index

DIVISIONS	
Division 1	General Requirements
Division 2	Earthworks
Division 3	Aggregate
Division 4	Asphaltic Materials
Division 5	Metals
Division 6	Concrete
Division 7	Pavement Markings
Division 8	Water & Sewer
Division 10	Specialties
Division 12	Traffic Signals
Division 14	Shallow Buried Utilities
Division 15	Construction Materials
Drawings	Drawings

DIVISION 1 - GENERAL REQUIREMENTS		
Section 01010	Project Control	01010_Jan04_2005.pdf
Section 01015	Shop Drawings, Product Data, Samples	01015_Jan04_2005.pdf
Section 01020	Testing Laboratory Services	01020_Jan04_2005.pdf
Section 01025	Temporary Facilities	01025_Jan04_2005.pdf
Section 01030	Safety Requirements	01030_Jan04_2005.pdf
Section 01035	Environmental Protection	01035_Feb06_2019.pdf
Section 01040	Cleaning	01040_Jan04_2005.pdf
Section 01045	Products/Workmanship	01045_Jan04_2005.pdf
Section 01050	Project Record Documents	01050_Jan04_2005.pdf

DIVISION 2 - EARTHWORKS		
Section 02005	Excavation and Embankment Construction	02005_Dec22_2009.pdf
Section 02010	Area Grading	02010_Dec22_2009.pdf
Section 02015	Sub-grade Compaction	02015_Jan12_2016.pdf
Section 02055	Construction of Earth Streets and Lanes	02055_Dec22_2009.pdf
Section 02060	Grade Construction for Sidewalks, Curbs and Gutters	02060_Jan02_2015.pdf

DIVISION 3 - AGGREGATE		
Section 03001	Supply of Aggregates	03001_Jan31_2018.pdf
Section 03005	Granular Base Course	03005_Jan31_2018.pdf
Section 03010	Granular Sub-base Course	03010_Jan31_2018.pdf
Section 03015	Stockpiling Aggregates	03015_Jan04_2005.pdf
Section 03020	Testing and Inspection	03020_Jan04_2005.pdf
Section 03050	Hand Placed, Grouted and Random Riprap	03050_Jan04_2005.pdf
Section 03060	Geotextiles and Geogrids	03060_Jan12_2016.pdf

DIVISION 4 - ASPHALTIC MATERIALS		
Section 04000	Rubberized Asphalt Crack Sealing	04000_Dec22_2009.pdf
Section 04005	Bituminous Binder	04005_Dec22_2009.pdf
Section 04010	Asphalt Mix	04010_Jan31_2018.pdf
Section 04015	Asphalt Concrete	04015_Feb06_2019.pdf
Section 04020	Reclaimed Asphalt Pavement	04020_Jan31_2018.pdf
Section 04025	Asphalt Prime, Tack and Flush Coat	04025_Jan31_2018.pdf
Section 04030	Slurry Seal Coat	04030_Jan04_2005.pdf
Section 04040	Supply of Asphalt Mix	04040_Jan04_2005.pdf
Section 04050	Cold Mix Asphalt	04050_Jan04_2005.pdf
Section 04060	Asphalt Patching	04060_Jan31_2018.pdf

DIVISION 5 - METALS		
Section 05015	Chain Link Fencing	05015_Jan04_2013.pdf
Section 05025	Deck Drains	05025_Jan04_2005.pdf

DIVISION 6 - CONCRETE		
Section 06005	Ready Mixed Concrete	06005_Apr03_2018.pdf
Section 06010	Concrete Sidewalk, Curb and Gutter Construction	06010_Feb06_2019.pdf
Section 06015	Supply of Ready Mixed Concrete	06015_Jan04_2005.pdf
Section 06020	Plain and Reinforced Concrete	06020_Jan04_2013.pdf
Section 06025	Curing Compound	06025_Jan04_2005.pdf
Section 06030	Unit Paving	06030_Jan04_2013.pdf
Section 06040	Cast in Place Overhead Sign Bases	06040_Jan04_2005.pdf

Section 06041	Cast in Place Overhead Sign Bases (Pile Type)	06041_Jan04_2005.pdf
Section 06050	Precast Concrete Barriers	06050_Jan02_2015.pdf
Section 06051	Precast Concrete Curbing	06051_Jan02_2015.pdf
Section 06060	Pressurized Grout Injection	06060_Dec06_2006.pdf
Section 06070	Streetscape	06070_Jan12_2016.pdf
Section 06080	Concrete Curb and Sidewalk Repairs	06080_Jan31_2017.pdf

DIVISION 7 - PAVEMENT MARKINGS

Section 07005	Chlorinated Rubber Traffic Paint	07005_Jan04_2005.pdf
Section 07010	"Drop On" Glass Beads for Pavement Markings	07010_Jan04_2005.pdf
Section 07015	Hot Applied Traffic Paint	07015_Jan04_2005.pdf
Section 07020	Hot Applied Plastic Pavement Markings	07020_Jan02_2015.pdf
Section 07030	Cold Plastic Pavement Markings	07030_Jan02_2015.pdf
Section 07040	Thermoplastic Pavement Markings	07040_Jan02_2015.pdf
Section 07050	Fast Dry Paint	07050_Jan02_2015.pdf

DIVISION 8 - WATER & SEWER

Section 08000	Construction Materials – General	08000_Apr03_2018.pdf
Section 08001	Construction Materials – Water Mains	08001_Feb06_2019.pdf
Section 08002	Construction Materials – Sewer Mains	08002_Feb06_2019.pdf
Section 08003	Construction Materials – Service Connections	08003_Mar08_2011.pdf
Section 08010	Gravity Storm and Sanitary Sewer Construction	08010_Feb06_2019.pdf
Section 08015	Sewers Constructed in Tunnels	08015_Dec06_2006.pdf
Section 08020	Catch Basin Construction	08020_Jan31_2017.pdf
Section 08025	Water and Sewer Connection Construction	08025_Jan31_2018.pdf
Section 08030	Water Main Construction	08030_Feb06_2019.pdf
Section 08040	Storm Sewers and Culverts	08040_Apr03_2018.pdf
Section 08045	Gravity Storm & Sanitary Sewer Lining	08045_Jan04_2005.pdf
Section 08125	CCTV Camera Sewer Main Inspections	08125_Jan31_2018.pdf

DIVISION 10 - SPECIALTIES

Section 10000	Bearings	10000_Jan04_2005.pdf
Section 10005	Access Hole Installation	10005_Dec06_2006.pdf
Section 10010	Stationary Truck Scale	10010_Dec06_2006.pdf

DIVISION 11 – NOISE BARRIERS		
Section 11000	Noise Barriers - General	11000_Jan31_2018.pdf
Section 11001	Concrete Noise Barriers	11001_Jan31_2018.pdf
Section 11002	Transparent Noise Barriers	11002_Apr03_2018.pdf

DIVISION 12 – TRAFFIC SIGNALS		
Section 12600	Traffic Signal Underground Installation	12600_Mar16_2011.pdf

DIVISION 14 - SHALLOW BURIED UTILITIES		
Section 14001	Surface Infrastructure Restoration for Utility Cuts	14001_Mar29_2016.pdf

DIVISION 15 – CONSTRUCTION MATERIALS		
Section 15001	Construction Materials – Water Mains	15001_Feb21_2019.pdf
Section 15002	Construction Materials – Water Service Connections	15002_Jan31_2017.pdf
Section 15003	Construction Materials – Sewer Mains	15003_Feb06_2019.pdf
Section 15004	Construction Materials – Sewer Service Connections	15004_Apr03_2018.pdf
Section 15005	Construction Materials – Corrosion Protection	15005_Apr03_2018.pdf
Section 15006	Construction Materials – Roadways	15006_Jan12_2016.pdf
Section 15007	Construction Materials – Noise Barriers	15007_Apr03_2018.pdf

Drawing Index		
Drawing List	List of Drawings	Drawing_List_Feb06_2019.pdf

Boulevards		
102-0001-002r001	Cross Section VCG & Separate Sidewalk Construction Details	102-0001-002r001_Mar02_2006.pdf
102-0001-003r001	Typical Tree & Utility Placement In Boulevards	102-0001-003r001_Mar02_2006.pdf

Curbs & Walks		
102-0002-001r002	Full Heights Curbs and Gutters	102-0002-001r002_Jan04_2013.pdf
102-0002-002r001	Curb on Asphalt	102-0002-002r001_Jan04_2005.pdf
102-0002-003r001	Separate Dropped Curb Crossings	102-0002-003r001_Jan04_2005.pdf
102-0002-004r001	810mm Concrete Barrier Curb	102-0002-004r001_Jan04_2005.pdf

102-0002-005r001	Separate Vertical Curb	102-0002-005r001_Jan04_2005.pdf
102-0002-006r002	Crossing – Walk, 150mm Vertical Curb and Gutter	102-0002-006r002_Dec22_2009.pdf
102-0002-007r002	Crossing – Walk, 200mm Vertical Curb and Gutter	102-0002-007r002_Dec22_2009.pdf
102-0002-008r003	Crossing – Walk & 150mm Vertical Curb	102-0002-008r003_Jan12_2016.pdf
102-0002-009r003	Crossing – Walk & 200mm Vertical Curb	102-0002-009r003_Jan12_2016.pdf
102-0002-010r001	Crossing – Separate Walk & Vertical Curb and Gutter	102-0002-010r001_Jan04_2005.pdf
102-0002-011r001	Dropped Curb Crossing – Separate Walk, Vertical Curb	102-0002-011r001_Jan04_2005.pdf
102-0002-012r001	Crossing – Rolled Curb, Gutter & Walk	102-0002-012r001_Jan04_2005.pdf
102-0002-013r002	Curb Return Crossing – Separate Walk, Vertical Curb	102-0002-013r002_Jan31_2017.pdf
102-0002-014r001	Directional Crossing, Walk and Vertical Curb	102-0002-014r001_Jan04_2005.pdf
102-0002-015r001	Directional Crossing, Separate Curb & Walk	102-0002-015r001_Jan04_2005.pdf
102-0002-016r001	Location of Corner Directional Crossings	102-0002-016r001_Jan04_2005.pdf
102-0002-017r001	Typical Driveway Curb Detail – Isometric View	102-0002-017r001_Jan04_2005.pdf
102-0002-018r001	Grade Construction for Curb and Gutter	102-0002-018r001_Jan04_2005.pdf
102-0002-019r001	Grade Construction for Sidewalk, Curb and Gutter	102-0002-019r001_Jan04_2005.pdf
102-0002-020r001	Grade Construction for Walkway and Sidewalk	102-0002-020r001_Jan04_2005.pdf
102-0002-021r001	Control Joints	102-0002-021r001_Jan04_2005.pdf
102-0002-022r001	Dowel/Control Joint Location and Spacing	102-0002-022r001_Jan04_2005.pdf
102-0002-023r001	Sidewalk Ramp Details	102-0002-023r001_Jan04_2005.pdf
102-0002-024r001	Ramp Locations at a T – Intersection	102-0002-024r001_Jan04_2005.pdf
102-0002-025r001	Sidewalk Ramps in High Pedestrian Areas, Texture Details	102-0002-025r001_Jan04_2005.pdf
102-0002-026r001	Sidewalk Ramps – Texture Details	102-0002-026r001_Jan04_2005.pdf
102-0002-027r001	Sidewalk Ramp Section, Rolled Curb	102-0002-027r001_Jan04_2005.pdf
102-0002-028r001	Transition, Typical Sidewalk	102-0002-028r001_Jan04_2005.pdf
102-0002-029r001	Combined Walk, Vertical Curb & Gutter	102-0002-029r001_Jan04_2005.pdf
102-0002-030r001	Walk, Rolled Curb & Gutter	102-0002-030r001_Jan04_2005.pdf
102-0002-031r001	Separate Walk	102-0002-031r001_Jan04_2005.pdf
102-0002-032r001	Concrete Walkway	102-0002-032r001_Jan04_2005.pdf
102-0002-033r001	Combined Walk & Vertical Curb	102-0002-033r001_Jan04_2005.pdf
102-0002-034r003	Asphalt Pathway	102-0002-034r003_Jan12_2016.pdf
102-0002-035r001	Precast Concrete Curb	102-0002-035r001_Jan04_2005.pdf
102-0002-036r001	Reversed Curb and Gutter Detail	102-0002-036r001_Jan04_2005.pdf
102-0002-037r001	Reversed Curb and Gutter Detail	102-0002-037r001_Jan04_2005.pdf
102-0002-038r001	Concrete Placement Rate of Moisture Loss Chart	102-0002-038r001_Jan04_2005.pdf

102-0002-039r001	Separate Sidewalk Irrigation Sleeve	102-0002-039r001_Jan04_2005.pdf
102-0002-040r001	Separate Sidewalk Bus Stop Detail	102-0002-040r001_Jan04_2005.pdf
102-0002-041r001	Perpendicular Separate Sidewalk Ramp Details	102-0002-041r001_Jan04_2005.pdf
102-0002-042r002	Rolled Curb & Sidewalk 1978 Style	102-0002-042r002_Jan12_2016.pdf
102-0002-049r002	Gutter Patch Paving	102-0002-049r002_Jan02_2015.pdf
102-0002-052r001	3.0m Multi-Use Pathway Ramp Configurations	102-0002-052r001_Dec22_2010.pdf
102-0002-054r001	2500 Separate Walkway Concrete	102-0002-054r001_Jan05_2012.pdf
102-0002-055r003	3000 Multi-Use Pathway Asphalt	102-0002-055r003_Jan12_2016.pdf
102-0002-057r002	Roadway Sideslope Ramp Pedestrian Access Wheelchair Accessible	102-0002-057r002_Jan06_2014.pdf
102-0002-062r002	Traffic Calming at a T-Intersection School / Commercial Crossing	102-0002-062r002_Jan02_2015.pdf
102-0002-063r002	Traffic Calming on Curve Center Median Islands	102-0002-063r002_Jan02_2015.pdf
102-0002-064r002	Traffic Calming at a Mid-Block Crossing Walkway to Walkway	102-0002-064r002_Jan02_2015.pdf
102-0002-065r002	Traffic Calming at a Highly Used Intersection by Pedestrians	102-0002-065r002_Jan02_2015.pdf
102-0002-066r002	Traffic Calming at a Neighbourhood Entrance Center Median Island	102-0002-066r002_Jan02_2015.pdf
102-0002-067r001	150mm Vertical Curb & Gutter with Paver Lip	102-0002-067r001_Jan02_2015.pdf
102-0002-069r001	Concrete Swale	102-0002-069r001_Jan04_2013.pdf
102-0002-070r001	Cut-Through Median Detail Pedestrian/Cyclist Crossing	102-0002-070r001_Jan12_2016.pdf
102-0002-071r001	Walk, Reversed Rolled Curb and Gutter	102-0002-071r001_Jan06_2014.pdf

Fences

102-0004-001r002	Chain Link Fence Details – 1.8m Fence	102-0004-001r002_Jan06_2014.pdf
102-0004-002r002	Chain Link Fence Details – 1.2m Fence	102-0004-002r002_Jan06_2014.pdf
102-0004-003r002	Chain Link Fence Details – Gate Detail	102-0004-003r002_Jan06_2014.pdf
102-0004-005r001	Chain Link Fence Type A	102-0004-005r001_Jan04_2005.pdf
102-0004-006r001	Chain Link Fence Type A	102-0004-006r001_Jan04_2005.pdf

Lanes		
102-0005-002r003	Lane, Paved - Typical Lane Cross Section	102-0005-002r003_Jan12_2016.pdf
102-0005-003r001	Residential Lane Dead-End Turnaround T-Type: Large Car	102-0005-003r001_Dec22_2010.pdf
102-0005-004r001	Residential Lane Dead-End Turnaround T-Type: Light Single Unit	102-0005-004r001_Dec22_2010.pdf
102-0005-005r001	Commercial Lane Dead-End Turnaround T-Type: Medium Single Unit	102-0005-005r001_Dec22_2010.pdf
102-0005-006r001	Residential Lane Dead-End Turnaround L-Type: Large Car	102-0005-006r001_Dec22_2010.pdf
102-0005-007r002	Lane, Paved – 2 Stage Construction	102-0005-007r002_Jan12_2016.pdf

Medians		
102-0006-001r001	Splash Apron	102-0006-001r001_Jan04_2005.pdf
102-0006-002r001	Mountable Median Tip	102-0006-002r001_Jan04_2005.pdf
102-0006-003r001	Median Ramp	102-0006-003r001_Jan04_2005.pdf
102-0006-005r001	830 Median Barrier	102-0006-005r001_Mar08_2011.pdf

Shallow Buried Utilities		
102-0007-001r005	Utilities Placement Standards	102-0007-001r005_Jan12_2016.pdf
102-0007-002r005	Utilities Placement Standards	102-0007-002r005_Jan12_2016.pdf
102-0007-003r005	Utilities Placement Standards	102-0007-003r005_Jan12_2016.pdf
102-0007-005r003	Utilities Placement Standards	102-0007-005r003_Jan12_2016.pdf
102-0007-006r001	Typical Roadway Crossing Electrical Sleeve	102-0007-006r001_Jan04_2005.pdf
102-0007-007r001	Typical Roadway Crossing Irrigation Sleeve	102-0007-007r001_Jan04_2005.pdf
102-0007-008r001	Base/Ducting Installation – Typical Median Cross Section	102-0007-008r001_Jan02_2015.pdf

Streets		
102-0008-001r001	Rubberized Asphalt Crack Sealant – Cross Section	102-0008-001r001_Jan04_2005.pdf
102-0008-002r001	Speed Hump Cross Sections	102-0008-002r001_Jan29_2008.pdf

Surveying		
102-0009-001r001	Specifications for Survey Stakes	102-0009-001r001_Jan04_2005.pdf
102-0009-002r001	Survey Tablet Marker Type 1	102-0009-002r001_Jan04_2005.pdf
102-0009-003r001	COS Survey Marker	102-0009-003r001_Mar02_2006.pdf
102-0009-004r001	COS Survey Marker Casing	102-0009-004r001_Mar02_2006.pdf

102-0009-005r001	COS Survey Marker Installation	102-0009-005r001_Mar02_2006.pdf
------------------	--------------------------------	---

Catch Basins		
102-0010-002r001	Storm Drainage Catch Basin for Tandem Installation	102-0010-002r001_Jan04_2005.pdf
102-0010-003r001	500mm Round Catch Basin Frame and Cover	102-0010-003r001_Jan04_2005.pdf
102-0010-004r001	Catch Basin Frame and Cover Surface Inlet Model	102-0010-004r001_Jan04_2005.pdf
102-0010-005r001	Catch Basin Frame and Cover Curb Inlet Model	102-0010-005r001_Jan04_2005.pdf
102-0010-006r002	Rolled Curb Catch Basin	102-0010-006r002_Jan04_2005.pdf
102-0010-007r001	Precast Reinforced Round Catch Basin	102-0010-007r001_Jan04_2005.pdf
102-0010-009r004	Installation of Catch Basin Lead for Sidewalk Const	102-0010-009r004_Jan04_2013.pdf
102-0010-010r002	Hamilton Kent Pipe to Manhole Connector Specification Sheet	102-0010-010r002_Jan04_2005.pdf
102-0010-012r001	Typical Catch Basin Conversion at Driveway or Crossing	102-0010-012r001_Jan04_2005.pdf
102-0010-013r002	Curb Inlet Risers for Catchbasin Frame and Cover	102-0010-013r002_Jan04_2005.pdf
102-0010-014r002	Curb Inlet Catch Basin Frame and Cover	102-0010-014r002_Jan31_2017.pdf
102-0010-015r002	Roadway Subdrainage Pipe Connection to Catchbasin	102-0010-015r002_Jan12_2016.pdf

Manholes		
102-0011-001r002	Manhole Safety Platform	102-0011-001r002_Jan23_2007.pdf
102-0011-004r007	Standard 1050mm Manhole for 200mm to 525mm Sanitary Sewers - For Rehabilitation Work Only	102-0011-004r007_Jan31_2017.pdf
102-0011-005r009	Standard 1200mm Manhole for 200mm to 600mm Sanitary Sewers With Drop Structure	102-0011-005r009_Jan31_2017.pdf
102-0011-006r008	Standard 1200mm Manhole for 675mm to 900mm Sewers	102-0011-006r008_Jan31_2017.pdf
102-0011-008r004	Drop Structure Manhole for Connection to Trunk Storm Sewers	102-0011-008r004_Jan02_2015.pdf
102-0011-009r005	Standard 1200mm Manhole for 200mm to 600mm Sewers	102-0011-009r005_Jan31_2017.pdf
102-0011-010r001	Circular PVC Pipe Beddings	102-0011-010r001_Jan31_2017.pdf
102-0011-011r001	Circular Concrete Pipe Beddings	102-0011-011r001_Jan31_2017.pdf
102-0011-012r001	Concrete Manhole Collars	102-0011-012r001_Jan04_2005.pdf
102-0011-013r001	Manhole Lifter Ring Details	102-0011-013r001_Jan04_2005.pdf
102-0011-014r001	Rubber Manhole Adjustment Riser	102-0011-014r001_Jan04_2005.pdf
102-0011-016r002	Manhole Rehabilitation Where Thickness of Concrete Below Invert Exceeds 125mm	102-0011-016r002_Jan04_2013.pdf
102-0011-017r002	Manhole Rehabilitation Where Thickness of Concrete Below Invert Does Not Exceed 125mm	102-0011-017r002_Jan04_2013.pdf
102-0011-018r003	Sewer Force Main Inspection Manhole	102-0011-018r003_Jan02_2015.pdf

102-0011-019r002	Standard Lockable COS Manhole Frame & Cover For Public Properties	102-0011-019r002_Dec06_2006.pdf
102-0011-020r002	Lock Wing & Spacers For Standard COS Manhole Covers	102-0011-020r002_Dec06_2006.pdf
102-0011-021r002	Standard Lockable COS Manhole Frame & Cover for Private Properties	102-0011-021r002_Dec06_2006.pdf
102-0011-022r001	TF-48 Beehive Grate	102-0011-022r001_Jan29_2008.pdf
102-0011-023r001	TF-48 Beehive Frame	102-0011-023r001_Jan29_2008.pdf
102-0011-024r005	Sanitary Sewer Manhole Drop Structure Between High Line and Low Line	102-0011-024r005_Jan31_2017.pdf
102-0011-025r001	TF-101 Beehive Frame	102-0011-025r001_Dec23_2008.pdf
102-0011-026r001	TF-101 Beehive Grate	102-0011-026r001_Dec23_2008.pdf
102-0011-028r002	Standard Manhole Types for Large Sewers – Notes and Schedules	102-0011-028r002_Jan31_2017.pdf
102-0011-029r002	Standard Manhole Types for Large Sewers – Sections and Details	102-0011-029r002_Jan02_2015.pdf
102-0011-030r002	Standard Manhole Types for Large Sewers – Cast-In-Place Details	102-0011-030r002_Jan31_2017.pdf
102-0011-031r003	Standard Storm Sewer Subdrain Detail – Crown Depth up to 2.3m	102-0011-031r003_Jan12_2016.pdf
102-0011-032r003	Standard Storm Sewer Subdrain Detail – Crown Deeper than 2.3m	102-0011-032r003_Jan12_2016.pdf
102-0011-034r001	Standard Low Profile Manhole Frame for Rehabilitation Work Only	102-0011-034r001_Jan31_2017.pdf

Watermains		
102-0012-001r004	Copper Dead End Water Main Flusher	102-0012-001r004_Jan05_2012.pdf
102-0012-002r002	Reaction Blocking and Water Main Anchoring	102-0012-002r002_Dec22_2010.pdf
102-0012-003r004	Fire Hydrant Standard Installation	102-0012-003r004_Jan06_2014.pdf
102-0012-004r002	Square Hydrant Guard	102-0012-004r002_Dec23_2008.pdf
102-0012-005r004	Pumped Drain Structure	102-0012-005r004_Jan02_2015.pdf
102-0012-006r002	Manual Air Release C301/303 Pipe	102-0012-006r002_Apr05_2007.pdf
102-0012-007r004	Typical Pipe Insulation	102-0012-007r004_Jan12_2016.pdf
102-0012-009r001	Welded Type Tapping Saddle for Large Diameter Steel Watermains	102-0012-009r001_Jan04_2005.pdf
102-0012-010r003	Valve Anchoring Details for 300mm & Larger Valves	102-0012-010r003_Dec22_2010.pdf
102-0012-011r003	Manual Air Release C905 Pipe	102-0012-011r003_Jan02_2015.pdf
102-0012-012r001	Circular Hydrant Guard	102-0012-012r001_Dec23_2008.pdf
102-0012-013r001	Water Circulator Service Connection	102-0012-013r001_Dec22_2009.pdf
102-0012-014r002	Polyethylene Dead End Water Main Flusher	102-0012-014r002_Jan05_2012.pdf
102-0012-015r001	Restraint Joints on C905 PVC Pipe	102-0012-015r001_Jan06_2014.pdf

102-0012-016r001	Fire Hydrant Standard Locations	102-0012-016r001_Jan06_2014.pdf
102-0012-017r001	Type 'C' Valve Box Top and Lid	102-0012-017r001_Jan12_2016.pdf
102-0012-018r001	Type 'C' Lifter Rings	102-0012-018r001_Jan12_2016.pdf

Service Connections		
102-0013-001r005	Typ. Sewer & Polyethylene Water Service Connection	102-0013-001r005_Jan04_2013.pdf
102-0013-002r004	Typ. Sewer & Copper Water Service Connection	102-0013-002r005_Jan06_2014.pdf
102-0013-003r001	Typical Duplex Water & Sewer Service Connection	102-0013-003r001_Jan04_2005.pdf
102-0013-004r003	Interior Drop Structure at Sanitary Sewer Manhole	102-0013-004r003_Jan02_2015.pdf
102-0013-005r001	Typical Sewer Service Cleanout	102-0013-005r001_Jan04_2005.pdf
102-0013-007r002	Typical Sewer Tapping	102-0013-007r002_Jan02_2015.pdf
102-0013-008r001	PVC Service Connection Riser Assembly	102-0013-008r001_Jan04_2005.pdf
102-0013-009r001	100mm Water Service Seasonal Connection	102-0013-009r001_Jan04_2005.pdf
102-0013-010r001	50mm Water Service Seasonal Connection	102-0013-010r001_Jan04_2005.pdf
102-0013-013r003	15mm Spindle Details	102-0013-013r003_Jan31_2017.pdf
102-0013-015r003	19mm Spindle Details	102-0013-015r003_Jan31_2017.pdf
102-0013-016r001	PVC Service Connection Vertical Riser Assembly (Reconstruction Only)	102-0013-016r001_Dec22_2009.pdf
102-0013-017r002	Standard Curb Box	102-0013-017r002_Jan31_2017.pdf
102-0013-018r001	Service Box Top	102-0013-018r001_Jan12_2016.pdf
102-0013-019r001	Standard Curb Box Cap	102-0013-019r001_Jan12_2016.pdf

Cathodic Protection		
102-0014-001r001	Multiple Impressed Current Anode Ground Bed Vertical	102-0014-001r001_Jan04_2005.pdf
102-0014-002r001	Multiple Impressed Current Anode Ground Bed Horizontal	102-0014-002r001_Jan04_2005.pdf

Parking		
102-0015-001r002	Type 1 Parking Meter Installation	102-0015-001r002_Dec23_2008.pdf
102-0015-002r002	Type 2 Parking Meter Installation	102-0015-002r002_Mar02_2006.pdf
102-0015-003r002	Type 3 Parking Meter Installation	102-0015-003r002_Dec23_2008.pdf

Traffic Signals		
102-0016-019r004	Traffic Signal Conduit Junction Box Installation	102-0016-019r004_Mar16_2011.pdf
102-0016-020r004	Specifications for Pre-Cast Traffic Signal Pole Base	102-0016-020r004_Mar16_2011.pdf

102-0016-021r001	Specifications for Traffic Signal Corridor Pole	102-0016-021r001_Mar16_2011.pdf
102-0016-022r002	Combination Street Light and Traffic Signal Pole	102-0016-022r002_Mar16_2011.pdf
102-0016-023r001	Specifications for Traffic Signal Arms	102-0016-023r001_Mar16_2011.pdf
102-0016-025r001	Specifications for Hand Hole Assembly	102-0016-025r001_Mar16_2011.pdf
102-0016-029r003	Pre-Cast Pole Base Installation Details	102-0016-029r003_Apr03_2018.pdf
102-0016-032r002	Trenching Installation Details	102-0016-032r002_Jan02_2015.pdf
102-0016-033r003	Cast-In-Place Cabinet Base in Natural Ground Details	102-0016-033r003_Jan05_2012.pdf
102-0016-034r002	Service Pedestal Installation Details	102-0016-034r002_Mar16_2011.pdf
102-0016-039r001	Cast-In-Place Cabinet Base in Sidewalk Details	102-0016-039r001_Mar16_2011.pdf

Signage

102-0017-010r003	Adapter Plate for Roadside Guidesign	102-0017-010r003_Jan04_2005.pdf
102-0017-011r001	Concrete Base for Roadside Guidesign	102-0017-011r001_Jan04_2005.pdf
102-0017-012r003	I-Beam for Roadside Guidesign	102-0017-012r003_Jan04_2005.pdf
102-0017-013r002	Bolt Assembly I-Beam to Adapter Plate for Ground Mounted Signs	102-0017-013r002_Dec06_2006.pdf
102-0017-015r001	I-Beam for Median Guidesign	102-0017-015r001_Jan04_2005.pdf
102-0017-016r001	Pavement Marking Test Section Sign Details	102-0017-016r001_Jan04_2005.pdf
102-0017-017r001	Advance Warning Flasher Structure Pile and Anchor Bolt	102-0017-017r001_Jan04_2005.pdf
102-0017-031r002	Temporary Sign Base	102-0017-031r002_Mar16_2011.pdf

Storm Sewer

102-0018-001r001	Grating for Concrete Endwall Pipe Dia. Up to 1200mm	102-0018-001r001_Jan04_2005.pdf
102-0018-002r001	Grating for Concrete Endwall Pipe Dia. 1350mm to 1800mm	102-0018-002r001_Jan04_2005.pdf
102-0018-003r001	Standard Handrail	102-0018-003r001_Jan04_2005.pdf
102-0018-004r001	Standard Riprap Detail	102-0018-004r001_Jan04_2005.pdf
102-0018-005r001	Storm Sewer Outfall	102-0018-005r001_Jan04_2005.pdf
102-0018-006r001	Storm Sewer Outfall Reinforcement Details	102-0018-006r001_Jan04_2005.pdf
102-0018-007r001	Handrail Details	102-0018-007r001_Jan04_2005.pdf
102-0018-009r002	Standard Ditch Crossing Culvert Requirements	102-0018-009r002_Apr03_2018.pdf
102-0018-010r001	Stormwater Storage Basin Cross Section	102-0018-010r001_Jan04_2013.pdf

Trenching

102-0019-001r002	Keying of Trench	102-0019-001r002_Jan02_2015.pdf
------------------	------------------	---

Berms		
102-0021-001r003	Typical Berm Requirements	102-0021-001r003_Jan12_2016.pdf

Lot Drainage		
102-0022-003r001	Easement Grading Back Yard	102-0022-003r001_Jan04_2005.pdf
102-0022-004r001	Easement Grading Side Yard Grading	102-0022-004r001_Jan04_2005.pdf
102-0022-005r001	Drainage Swale Back of Lot, 1 of 2	102-0022-005r001_Jan04_2005.pdf
102-0022-007r001	Drainage Swale Back of Lot, 2 of 2	102-0022-007r001_Jan04_2005.pdf
102-0022-006r001	Grade Markers Electrical Kiosk	102-0022-006r001_Jan04_2005.pdf
102-0022-008r001	Grade Markers Electrical Kiosk	102-0022-008r001_Jan04_2005.pdf
102-0022-009r002	C.O.S. Lot Grade Markers Construction and Placement	102-0022-009r002_Jan04_2005.pdf
102-0022-010r001	Drainage Improvement	102-0022-010r001_Jan04_2005.pdf
102-0022-012r001	Side Yard Drainage Swale	102-0022-012r001_Dec22_2010.pdf
102-0022-013r001	Lot Grading Transition Lot Type A/D & D/A	102-0022-013r001_Dec22_2010.pdf
102-0022-014r001	Lot Grading Transition Lot Type D/C & C/D	102-0022-014r001_Dec22_2010.pdf
102-0022-015r001	Lot Grading Transition Lot Type D/E & E/D	102-0022-015r001_Dec22_2010.pdf
102-0022-016r001	Lot Grading Type A	102-0022-016r001_Dec22_2010.pdf
102-0022-017r001	Lot Grading Type D	102-0022-017r001_Dec22_2010.pdf
102-0022-018r001	Lot Grading Type C	102-0022-018r001_Dec22_2010.pdf
102-0022-019r001	Lot Grading Type E	102-0022-019r001_Dec22_2010.pdf
102-0022-021r001	Lot Grading Transition Lot Type C/E & E/C	102-0022-021r001_Jan05_2012.pdf
102-0022-022r002	Side Yard Typical Concrete Drainage Swale	102-0022-022r002_Jan04_2013.pdf
102-0022-023r002	Back Yard Typical Concrete Drainage Swale	102-0022-023r002_Jan04_2013.pdf

Sump Details		
102-0025-001r004	Sump with Pumped Discharge to Surface	102-0025-001r004_Jan04_2005.pdf
102-0025-002r004	Sump with Pumped Discharge to Storm Sewer	102-0025-002r004_Jan04_2005.pdf
102-0025-003r001	Sump Pump Retrofit #1	102-0025-003r001_Jan04_2005.pdf
102-0025-004r001	Sump Pump Retrofit #2 With Pumped Discharge to Surface Plus Backflow Prevention	102-0025-004r001_Jan04_2005.pdf
Crosswalks		
102-0028-001r002	Crosswalk Pavement Markings	102-0028-001r002_Apr07_2006.pdf
102-0028-008r001	Required Pavement Markings at Intersections	102-0028-008r001_Apr07_2006.pdf
102-0028-009r001	Required Pavement Markings at Chevrons	102-0028-009r001_Apr07_2006.pdf

Geometrics/Channelization		
102-0029-001r005	Channelized Intersection Design Standards	102-0029-001r005_Jan02_2015.pdf
102-0029-002r003	Freeway / Expressway Urban Cross Section	102-0029-002r003_Jan12_2016.pdf
102-0029-003r002	Freeway / Expressway Rural Cross Section Without Drainage Layer	102-0029-003r002_Jan02_2015.pdf
102-0029-004r003	Arterial Class 'A'	102-0029-004r003_Jan12_2016.pdf
102-0029-005r003	Arterial Class 'B'	102-0029-005r003_Jan12_2016.pdf
102-0029-006r003	Arterial Class 'C'	102-0029-006r003_Jan12_2016.pdf
102-0029-007r003	Industrial Roadway	102-0029-007r003_Jan12_2016.pdf
102-0029-008r003	Collector Class 'A'	102-0029-008r003_Jan12_2016.pdf
102-0029-009r003	Collector Class 'B'	102-0029-009r003_Jan12_2016.pdf
102-0029-010r003	Collector Class 'C'	102-0029-010r003_Jan12_2016.pdf
102-0029-011r003	Local Class 'A'	102-0029-011r003_Jan12_2016.pdf
102-0029-012r003	Local Class 'B' Length of 500m or Less	102-0029-012r003_Jan12_2016.pdf
102-0029-013r001	Bikeways Class A, B, C	102-0029-013r001_Dec22_2009.pdf
102-0029-014r001	Bus Bay Turnout	102-0029-014r001_Dec22_2009.pdf
102-0029-016r003	Local Class 'C' Cul-De-Sac	102-0029-016r003_Jan12_2016.pdf
102-0029-017r001	Roundabout Functional Design Local Class 'A'	102-0029-017r001_Jan05_2012.pdf
102-0029-018r001	Roundabout Detailed Design Local Class 'A'	102-0029-018r001_Jan05_2012.pdf
102-0029-019r001	Roundabout Sight Lines Design Local Class 'A'	102-0029-019r001_Jan05_2012.pdf
102-0029-020r001	Roundabout Operating Speeds Design Local Class 'A'	102-0029-020r001_Jan05_2012.pdf
102-0029-021r001	Roundabout Functional Design Collector Class 'A' / Local Class 'A'	102-0029-021r001_Jan05_2012.pdf
102-0029-022r001	Roundabout Detailed Design Collector Class 'A' / Local Class 'A'	102-0029-022r001_Jan05_2012.pdf
102-0029-023r001	Roundabout Sight Lines Design Collector Class 'A' / Local Class 'A'	102-0029-023r001_Jan05_2012.pdf
102-0029-024r001	Roundabout Operating Speeds Design Collector Class 'A' / Local Class 'A'	102-0029-024r001_Jan05_2012.pdf
102-0029-026r001	Design Vehicles for Arterials, Expressways, Freeways	102-0029-026r001_Jan04_2013.pdf
102-0029-027r001	Standard Neighbourhood Entrances	102-0029-027r001_Jan05_2012.pdf
102-0029-031r001	Design Vehicle for Collectors and Roundabouts	102-0029-031r001_Jan04_2013.pdf
102-0029-032r002	Class B Arterial Staging Options	102-0029-032r002_Jan02_2015.pdf
102-0029-035r001	Cul-De-Sac Parameters – Residential, Commercial and Industrial Roadways	102-0029-035r001_Jan12_2016.pdf
102-0029-043r002	Alternative Median Barrier Treatment Semi Urban Cross Section With Drainage Layer	102-0029-043r002_Jan12_2016.pdf

102-0029-044r002	Freeway / Expressway Rural Cross Section With Drainage Layer	102-0029-044r002_Jan12_2016.pdf
102-0029-045r002	Typical Road and Back Lane Subdrainage Details	102-0029-045r002_Jan12_2016.pdf

Street Fixtures		
102-0038-001r001	Bicycle Stand Surface Mount Installation	102-0038-001r001_Jan04_2013.pdf
102-0038-002r001	Bicycle Stand Sleeve Installation	102-0038-002r001_Jan04_2013.pdf

INDEX

	<u>Page</u>
01010-1 GENERAL	2
01010-2 SCHEDULING	3
01010-3 JOB MEETINGS	4
01010-4 MEASUREMENT AND PAYMENT	4

01010-1 **GENERAL**

1.1 Project Control System Requirements and Application

The Engineer will provide and operate a system of project control as a central communication and management control tool. The Contractor is required to provide detailed data concerning his proposed construction methods to the Engineer. This system will be used to identify, schedule, and monitor activities related to progress of the total project since it will show effect of performance on total project and will identify required efforts to be expended for maintenance of satisfactory progress.

1.2 Method

Project progress will be controlled using a project control system administered by the Engineer. Control may be based on network techniques including critical path method (CPM) for planning, scheduling, monitoring and reporting of project progress.

1.3 Effect of Approvals

Approvals by the Engineer of original network or schedules and revisions thereto, do not relieve the Contractor from any duties or responsibilities required by the Contract.

1.4 Preconstruction Meeting

1.4.1 Within 10 days after award of the Contract, the Engineer will request a meeting to discuss and set up administrative procedures and responsibilities. The Contractor shall organize and advise all parties accordingly.

1.4.2 Senior representatives of the Owner, Engineer, Contractor, major Subcontractors, Field Inspectors and Superintendents are to be in attendance.

1.4.3 Establish time and location of meeting and notify all parties concerned to attend. Notify parties minimum of 5 days before meeting.

01010-2 SCHEDULING

2.1 Within 20 days from Contract award date, provide necessary scheduling or network information such as activity sequencing and duration estimates for submittal of shop drawings and samples, procurement of major equipment and materials, installation and testing and subcontract awards, to allow completion of Work Breakdown Structure, Master Milestone network and detailed CPM construction networks. Detailed CPM construction networks must cover period at least three months beginning from date of Contract award, with activity durations not exceeding 15 days.

2.2 For duration of project provide necessary information to enable detailed CPM networks to be made available at all times for periods of at least three months ahead through to project completion date.

- 2.3 Arrange participation on site and off site of subcontractors and suppliers, as and when necessary, for purpose of network planning, scheduling, updating and progress monitoring.
- 2.4 Sign all networks or schedules to indicate approval.

01010-3 JOB MEETINGS

- 3.1 After award of Contract arrange meetings at regular intervals at times and locations approved by the Engineer.
- 3.2 The Contractor shall notify all parties concerned to attend, to ensure proper co-ordination of project work.
- 3.3 The Contractor shall record minutes of these meetings, and circulate minutes to all parties within 7 days of the meeting.
- 3.4 In addition to the above, the Owner will call general site meetings throughout the course of the work. Representatives of the Engineering Consultant and the Contractor will be expected to attend.

01010-4 MEASUREMENT AND PAYMENT

There will be no separate payment for work outlined in this section.

END OF SPECIFICATION 01010

INDEX

	<u>Page</u>
01015-1 GENERAL	2
01015-2 EXECUTION	5

01015-1 **GENERAL**

1.1 Description

1.1.1 This section establishes general requirements for submission of shop drawings, product data and samples specified for review by the Engineer.

1.2 Related Work Specified Elsewhere

1.2.1 Particular requirements for shop drawings, product data and samples are specified under various sections.

1.3 Submissions

1.3.1 Work involving relevant product may proceed only after submission is reviewed.

1.3.2 Reproductions for submissions: reproducible transparency with one opaque diazo print.

1.3.3 Submissions to include:

1. date and revision dates
2. project title and number
3. name of:
 - contractor
 - subcontractor
 - supplier
 - manufacturer
 - separate detailer when pertinent

4. identification of product or material
5. relation to adjacent structure or materials
6. field dimensions, clearly identified as such
7. specification section number
8. applicable standards, such as CSA or CGSB numbers
9. Contractor's stamp, initialled or signed, certifying review of submission, verification of field measurement and compliance with Contract Documents.

1.4 Samples and Mock-Ups

- 1.4.1 Submit samples in sizes and quantities specified.
- 1.4.2 Where colour, pattern or texture is criterion, submit full range of samples.
- 1.4.3 Reviewed samples or mock-ups will become standards of workmanship and material against which installed work will be checked on project.

1.5 Shop Drawings

- 1.5.1 Drawings to be originals, prepared by Contractor, subcontractor, supplier or distributor which illustrate appropriate portion of work; showing fabrication, layout, setting or erection details as specified in appropriate sections.
- 1.5.2 Maximum sheet size 860 mm x 1120 mm
- 1.5.3 Include information required in paragraph 1.3.3.

1.6 Product Data

1.6.1 Certain specification sections specify that manufacturer's standard schematic drawings, catalogue sheets, diagrams, schedules, performance charts, illustrations and other standard descriptive data will be accepted in lieu of shop drawings.

1.6.2 Above will be accepted only if they conform to following:

- delete information which is not applicable to project.
- supplement standard information to provide additional information applicable to project.
- show dimensions and clearances required.
- show performance characteristics and capacities.

1.7 Responsibility

1.7.1 Contractor's responsibility for errors and omissions in submission is not relieved by Engineer's review of submittals.

1.7.2 Contractor's responsibility for deviations in submission from requirements of Contract Documents is not relieved by Engineer's review of submission unless Engineer gives written acceptance of specified deviations.

1.8 Measurement for Payment

No separate measurement to be made for work this section; work is incidental to project costs.

01015-2 **EXECUTION**

2.1 Submission Requirements

2.1.1 Accompany submissions with transmittal letter in duplicate, containing:

1. date
2. project title and number
3. Contractor's name and address
4. number of each shop drawing, product data and sample submitted.
5. other pertinent data.

2.1.2 Identify details by reference to sheet and detail numbers shown on Contract Drawings.

2.1.3 Notify Engineer, in writing at time of submission, of deviation from requirements of Contract Drawings.

2.1.4 Construct field samples and mock-ups at locations acceptable to Engineer.

2.1.5 Construct each sample or mock-up complete, including work of all trades required to finish work.

2.1.6 Submit number of copies of product data which Contractor requires for distribution plus four copies which will be retained by the Engineer.

2.2 Coordination of Submission

2.2.1 Schedule submissions at least 10 days before dates reviewed submissions will be needed.

2.2.2 Coordinate each submission with requirements of work and Contract Documents.

2.2.3 Review shop drawings, product data and samples prior to submission and verify:

- field measurements
- field construction criteria
- catalogue numbers and similar data

2.2.4 After Engineer's review, distribute copies.

2.3 Distribution of Submittals After Review

2.3.1 Distribute copies of shop drawings and product data which carry Engineer's stamp to:

1. job site file
2. record documents file
3. other prime contractors
4. subcontractors
5. supplier
6. fabricator

2.3.2 Distribute samples as directed.

END OF SPECIFICATION 01015

INDEX

	<u>Page</u>
01020-1 GENERAL	2
01020-2 EXECUTION	3

01020-1 **GENERAL**

1.1 Description

This section establishes general requirements for testing to be performed by testing laboratory designated by the Engineer.

1.2 Related Requirements Specified Elsewhere

Particular requirements for inspection and testing are specified under various specification sections.

1.3 Appointment, Payment and Requirements

1.3.1 The Owner will appoint and pay for services of a testing laboratory except for the following:

1. Inspection and testing required by laws, ordinances, rules regulations or orders of public authorities.
2. Inspection and testing performed exclusively for Contractor's convenience.
3. Testing, adjustment and balancing of conveying systems, mechanical and electrical equipment and systems.
4. Mill tests and certificates of compliance.
5. Tests specified to be carried out by Contractor under the supervision of the Engineer.
6. Additional tests specified in paragraph 1.3.2.

1.3.2 Where tests or inspections by designated testing laboratory reveal work

not in accordance with contract requirements, the Contractor shall pay costs for additional tests or inspections as Engineer may require to verify acceptability of corrected work. Costs for additional testing will be deducted from Contractor's monthly payment certificates.

1.4 Measurement for Payment

No separate measurement to be made for work this section, work is incidental to project costs.

01020-2 EXECUTION

2.1 Contractor's Responsibilities

2.1.1 Furnish labour and facilities to:

1. provide access to work to be inspected and tested.
2. facilitate inspections and tests.
3. make good work disturbed by inspection and test.
4. provide storage on-site for laboratory's exclusive use to store equipment and cure test samples.

2.1.2 Notify the Engineer sufficiently in advance of operations to allow for assignment of laboratory personnel and scheduling tests.

2.1.3 Where materials are specified to be tested, deliver representative samples in required quantity to testing laboratory.

- 2.1.4 Pay costs for uncovering and making good work that is covered before required inspection or testing is completed and approved by the Engineer.

2.2 Frequency and Evaluation of Testing

- 2.2.1 When not specified separately, frequency of testing to be as directed by the Engineer.

- 2.2.2 Where not specified separately, the Contractor shall cease operation until corrections to his production process are corrected if any of the following criteria are not met:

1. average of all tests to equal or exceed specification.
2. not more than 10% of all tests to be below specification.
3. average of 3 consecutive tests to equal or exceed specification.
4. individual test result to equal or exceed 90% of specification.

END OF SPECIFICATION 01020

INDEX

	<u>Page</u>
01025-1 GENERAL	2
01025-2 EXECUTION	5

01025-1 **GENERAL**

1.1 Description

1.1.1 This section establishes requirements for all temporary facilities including the following:

1. access
2. Contractor's site office
3. Engineer's site office
4. storage sheds
5. sanitary facilities
6. parking
7. security systems
8. power
9. water supply
10. heating and ventilation
11. drainage
12. signs and notices
13. mobilization
14. removal of temporary facilities
15. maintenance of site
16. maintenance of traffic

1.2 Definitions

1.2.1 Mobilization includes the following:

1. Supply, installation, and servicing of mobile offices, workshops, stores, housing, etc.

2. Supply and transport to site of equipment used in performing work.
3. Dismantling and removing all temporary facilities upon completion of work and restoring site to its original condition.
4. Supply and installation and subsequent dismantling and removal of materials and equipment required for maintenance of traffic.

1.2.2 Maintenance of site includes cost of maintaining site during periods when work is delayed, as defined below:

1. Payment made under this section is subject to the terms for schedule extensions listed in General Conditions, Article 00700-34 - Delays, and is subject to approval by the Engineer.
2. Tendered unit price per day to include supervisory staff salaries and expenses, office expenses, equipment costs and operating expenses, telephone, electricity and gas, water and sanitation, labour to maintain and protect site, bond and financing costs, overhead and profit.
3. Payment made only when work is delayed throughout site for full working day. No compensation for inconvenience when work is delayed in one area of site but work continues elsewhere on site.
4. Tendered unit price not to include equipment down-time during delays, for which compensation will be negotiated if and when delay occurs.

1.2.3 Maintenance of traffic requires that existing and temporary roads are kept open to traffic and in good condition.

1. Maintain existing road surfaces in original condition.
2. Supply and erect temporary signing and barricades and supply flagmen as may be required when work interferes with normal traffic flow.
3. Construct detour roads within site as indicated in drawings and maintain surfaces at all times.
4. Ensure convenience and safety of residents affected by work at all times.
5. Credit Owner for maintenance of traffic expenditures arising from emergency situations or cases when action is required by Owner due to failure on part of Contractor to perform.
6. Maintain detour signs and barricades within and outside site where indicated in drawings or by the Engineer as per standards established in the City of Saskatoon Traffic Control Manual.

1.3 Measurement for Payment

1.3.1 Mobilization to be paid as lump sum with 80% payable upon substantial completion of mobilization as determined by the Engineer, and remaining 20% payable upon total performance of the work.

- 1.3.2 Maintenance of site to be measure in working days.
- 1.3.3 Maintenance of traffic to be paid on a cost plus basis in accordance with Article 00700-24 of the General Conditions, and:
1. No payment for maintenance of existing road surfaces within site, initial supply and erection of temporary signs and barricades, construction and maintenance of detours within site.
 2. Payment to include replacement of signs and barricades damaged by causes not under the control of the Contractor, maintenance of existing road surfaces outside site, supply of flagmen, inspection and maintenance of detour signs and barricades inside and outside site.

01025-2 EXECUTION

2.1 Access

- 2.1.1 Provide and maintain adequate access to project site.
- 2.1.2 Build and maintain temporary roads and provide snow removal during period of work.
- 2.1.3 If authorized to use existing roads for access to project site, maintain such roads for duration of Contract and make good damage resulting from Contractor's use of roads.

2.2 Contractor's Site Office

- 2.2.1 Provide office of size to accommodate site meetings and furnished with drawing laydown table, drawing storage rack, three-drawer filing cabinet, shelving and coat hooks when required by Section 01005, Specific Conditions.
- 2.2.2 Install lighting to provide 750 lx using surface mounted shielded, commercial fixtures with 10% upward light component.
- 2.2.3 Heat to maintain 22° C inside temperature. Provide two operable windows for cross ventilation.
- 2.2.4 Provide telephone in Contractor's site office. Pay telephone is not acceptable.

2.3 Engineer's Site Office

- 2.3.1 Provide temporary office for Engineer when required by Section 01005, Specific Conditions.
- 2.3.2 Inside dimensions minimum 3.6 m long x 3 m wide x 2.4 m high with floor .1 m above grade, complete with 50% opening windows and one lockable door.
- 2.3.3 Insulate building and provide heating system to maintain 22° C inside temperature at -20° C outside temperature.

- 2.3.4 Finish inside walls and ceiling with plywood, hardboard or wallboard and paint in selected colours. Finish floor with 19 mm thick plywood.
- 2.3.5 Install electrical lighting system to provide minimum 750 lx using surface mounted, shielded commercial fixtures with 10% upward light component.
- 2.3.6 Arrange and pay for telephone in Engineer's office for his exclusive use. Long distance calls placed on this telephone will be paid for by Engineer.
- 2.3.7 Provide private washroom facilities adjacent to office complete with flush or chemical type toilet, lavatory, mirror and maintain supply of paper towels and toilet tissue.
- 2.3.8 Equip office with 1 m x 2 m table, four chairs, 6 m of shelving 300 mm wide, one three-drawer filing cabinet, one plan rack and one coat rack and shelf.
- 2.3.9 Maintain in clean condition.

2.4 Storage Sheds

Provide adequate weathertight sheds with raised floors, for storage of materials, tools, and equipment which are subject to damage by weather.

2.5 Sanitary Facilities

2.5.1 Provide sanitary facilities for work force in accordance with governing regulations and ordinances.

2.5.2 Post notices and take such precautions as required by local health authorities. Keep area and premises in sanitary condition.

2.6 Parking

Parking space will be made available on-site. Maintain and administer this space as directed by the Engineer.

2.7 Site Enclosures

2.7.1 Erect temporary site enclosure using new 1.2 m high snow fence wired to rolled steel "T" bar fence posts spaced at 2.4 m oc. Provide one lockable truck gate. Maintain fence in good repair.

2.7.2 Site enclosures required as indicated on Drawings.

2.8 Security Systems

2.8.1 Ensure safety of all equipment and materials on-site. Repair or replace damaged equipment or materials regardless of cause of damage.

2.8.2 Prevent damage to lines and grades established by Engineer. Re-establish lines or grades that become damaged by any cause.

2.8.3 Maintain concrete finishes free from imperfections, regardless of cause, until acceptance of job. Repair damage to concrete surface at no additional cost to Owner.

2.8.4 Take responsibility for safety of all work performed under this Contract and of all existing structures within limits of Contract. Repair damage at no additional cost to Owner.

2.9 Power

2.9.1 Arrange, pay for and maintain temporary electrical power supply in accordance with governing regulations and ordinances.

2.9.2 Install temporary facilities for power such as pole lines and underground cables to approval of local power supply authority.

2.10 Heating and Ventilation

2.10.1 Pay for costs of temporary heat and ventilation used during construction, operation, maintenance and removal of equipment. Use of direct-fired heaters discharging waste products into work areas will not be permitted unless prior approval is given by the Engineer.

2.10.2 Furnish and install temporary heat and ventilation in enclosed areas as required to:

1. Facilitate progress of work.
2. Protect work and products against dampness and cold.

3. Prevent moisture condensation on surface.
4. Provide adequate ambient temperatures and humidity levels for storage, installation and curing of materials.
5. Provide adequate ventilation to meet health regulations for safe working environment.

2.11.3 Ventilating

1. Prevent hazardous accumulations of dust, fumes, mists, vapours or gases in areas occupied during construction.
2. Provide local exhaust ventilation to prevent harmful accumulation of hazardous substances into atmosphere of occupied areas.
3. Dispose of exhaust materials in a manner that will not result in harmful exposure to persons.
4. Ventilate storage spaces containing hazardous or volatile materials.
5. Ventilate temporary sanitary facilities.
6. Continue operation of ventilation and exhaust system for time after cessation of work process to assure removal of harmful elements.

2.11.4 Maintain strict supervision of operation of temporary heating and ventilating equipment.

1. Enforce safe practices.
2. Prevent abuse of services.
3. Enforce conformance with applicable codes and standards.
4. Prevent damage to finishes.
5. Vent direct-fired combustion units to outside.

2.12 Drainage

Refer to Section 01035 for site drainage and pumping requirements.

2.13 Site Signs and Notices

2.13.1 Only Project Identification and Consultant/Contractor signboards and notices for safety or instruction are permitted on site.

2.13.2 Format, location and quantity of site signs and notices to be approved by the Engineer.

2.13.3 Signs and notices for safety or instruction to be in English language or commonly understood graphic symbols.

2.13.4 Maintain signboards, signs and notices for duration of project. Remove and dispose of signs off-site when directed by the Engineer.

2.13.5 Erect, maintain, and subsequently dismantle as directed by the Engineer any project signs supplied by the Owner.

2.14 Removal of Temporary Facilities

- 2.14.1 Remove temporary facilities from site when directed by the Engineer.
- 2.14.2 When project is closed down at end of construction season, keep facilities operational until close down is approved by the Engineer.
- 2.14.3 Restore site to original condition to satisfaction of the Engineer.

2.15 Traffic Operations

- 2.15.1 Maintain, control and safeguard traffic within and immediately abutting site and maintain detour signing on detours outside site indicated on Drawings.
- 2.15.2 Conform to City Traffic Bylaw.
- 2.15.3 Vehicles with gross weight greater than 5,000 kg to use routes designated in General Conditions.
- 2.15.4 Requests for street closures to be made through Engineer.
- 2.15.5 Provide emergency access for police and fire units at all times.
- 2.15.6 Provide access to private property for local traffic except when such access would prevent work from being completed.
- 2.15.7 Advise Engineer if modifications to traffic signals operation by Owner is required, such modification at no cost to Contractor.

2.15.8 Construct, sign, and maintain detours to RTAC standards, City of Saskatoon Traffic Control Manual and to approval of the Engineer.

2.16 **Site Maintenance**

Maintain site at all times. This includes supervision of site maintenance of offices and utilities, maintenance of equipment, daily clean-up, and general care.

END OF SPECIFICATION 01025

INDEX

	<u>Page</u>
01030-1 GENERAL	2
01030-2 EXECUTION	2

01030-1 GENERAL

1.1 Description

This section specifies requirements for ensuring the safety of people and property affected by performance of work.

1.2 Related Work Specified Elsewhere

Particular requirements for safety are specified under various sections.

1.3 Measurement of Payment

No separate measurement for work in this section.

01030-2 EXECUTION

2.1 Construction Safety Measures

2.1.1 Observe and enforce construction safety measures required by Canadian Construction Safety Code, Provincial Government, Worker's Compensation Board and municipal statutes and authorities.

2.1.2 In event of conflict between any provisions of above authorities, the most stringent provision will apply.

2.2 Fire Safety Requirements

2.2.1 Comply with requirements of standard for Building Construction Operations, DFC No. 301-1975, issued by Dominion Fire Commissioner.

2.2.2 This standard may be viewed at Regional Engineer's office and copies may be obtained from:

Dominion Fire Commissioner
Sir Charles Tupper Building
Riverside Drive
OTTAWA, Ontario K1A OM2

2.3 Overloading

Ensure no part of work is subjected to a load which will endanger its safety or will cause permanent deformation.

END OF SPECIFICATION 01030

INDEX

01035-1	GENERAL.....	2
1.1	Description.....	2
1.2	Definitions	2
1.3	Compliance.....	3
1.4	Resource Conservation	3
01035-2	SPECIFIC REQUIREMENTS	4
2.1	Recycling and Reuse	4
2.2	Disposal of Wastes	4
2.3	Surface and Groundwater Management	5
2.4	Fill Management.....	5
2.5	Dust Management.....	5
2.6	Noise Control.....	6
2.7	Erosion and Sedimentation Prevention.....	6
2.8	Spill Management.....	6
2.9	Spill Prevention	7
2.10	Discovery Management.....	8
2.11	Environmentally Sensitive Lands	9
2.12	Historic Artifacts	10
2.13	Site Clearing	10
2.14	Tree Protection	10
2.15	Wildlife Protection	11
2.16	Invasive Species	11
01035-3	MEASUREMENT AND PAYMENT	11

01035-1 GENERAL

1.1 Description

This section describes the requirements for protection of the environment, including air, water, land, natural resources, flora, fauna, humans, and their interrelations.

1.2 Definitions

- 1.2.1 Clean Soil means soil that does not contain any deleterious substances.
- 1.2.2 Contaminated Soil means soil material that has chemical concentrations of regulated substances above applicable regulatory criteria.
- 1.2.3 Contaminated Water means water that has chemical concentrations of regulated substances above applicable regulatory criteria.
- 1.2.4 Construction Waste is defined as bulk refuse originating from construction, demolition, renovation and re-development projects not including asbestos, waste dangerous goods or material contaminated with waste dangerous goods.
- 1.2.5 Deleterious Substances refers to substances that, if added to clean soil, would degrade or alter or form part of a process of degradation or alteration of clean soil quality so that it is rendered or could be rendered deleterious to human or environmental habitat.
- 1.2.6 Drainage Systems in an urbanized environment are the water management systems that are constructed to collect, convey, store, and discharge storm water into the naturally formed rivers, creeks, streams, or other water bodies.
- 1.2.7 Environmentally Sensitive Lands include the following:
 - a) Wetlands;
 - b) Open spaces and utility corridors;
 - c) Watercourses;
 - d) Waterways;
 - e) Underground recharge areas;
 - f) Riverbanks;
 - g) Natural plant habitats;
 - h) Animal habitats;
 - i) Flood plains; and

j) Other landforms easily disturbed by development.

1.2.8 Fill, including Existing On Site Material and Imported Fill Material, is defined by the Park Development Guidelines and Standard Construction Specifications.

1.2.9 Hazardous Waste is a waste with hazardous properties, which may have potential effects to human or environmental health.

1.2.10 Liquid Waste includes sludges, solutions, and any other form of waste in liquid or aqueous phase.

1.2.11 Prohibited, noxious, or nuisance weeds refers to those listed in the Weed Control Act of Saskatchewan.

1.2.12 Waste means any discarded or abandoned organic or inorganic material, including material or by-products discarded in a manufacturing or producing process; snow; ice; soil; rocks; rubble; garbage; tree cuttings; grass; leaves; empty or partly empty tins, boxes, cartons, bottles and containers; discarded paper and fabrics, discarded household utensils; household furniture; household appliances of any nature; trees; concrete; or any other refuse, rubble, or matter.

1.2.13 Watercourse means a drain, ditch, drainage ditch, culvert, water channel, or retention pond, whether natural, constructed, or altered.

1.2.14 Waterway means a river, stream, creek or canal, whether natural, constructed or altered, and includes the frozen surface and bed of the hydraulic channel.

1.3 Compliance

1.3.1 It is the responsibility of the Contractor to know which laws, regulations, approvals or permits relate to the work being done within the city.

1.3.2 It is the responsibility of the Contractor to comply with all applicable laws and regulations and ensure that all requirements imposed are met for all activities within the scope of work.

1.4 Resource Conservation

1.4.1 Operate and conduct work in a way that incorporates the principles of:

- a) Water conservation.
- b) **Reduced fuel consumption;**

- c) Energy conservation; and
- d) Reducing or creating efficiency such that waste production is minimized.

1.4.2 Where reasonable, attempt to document resource consumption and identify opportunities for conservation.

01035-2 SPECIFIC REQUIREMENTS

2.1 Recycling and Reuse

2.1.1 All opportunities to divert construction waste from landfills will be examined and identified. At a minimum, recycling cardboard, wood, asphalt, concrete, metal and plastics generated on site will be examined.

2.2 Disposal of Wastes

2.2.1 All waste is prohibited from being buried on site. Refer to the Waste Bylaw, 2004, Anti-Dumping Bylaw, Sewer Use Bylaw, 2017 and the Storm Water Management Utility Bylaw, 2011 for municipal requirements.

2.2.2 Provide adequate receptacles for solid municipal waste and recycling on site. All solid municipal waste and recyclables must be removed from the site in a timely manner. No waste, trash, litter, or debris shall be left onsite following demobilization of the work site. Ensure no waste, trash, litter, or debris is blown off site. Any waste that has migrated off site shall be collected and disposed of.

2.2.3 Any waste or material shall not be abandoned in the course of import, export or transit.

2.2.4 All waste shall be disposed of only at approved facilities.

2.2.5 Disposal of waste into drainage systems, watercourses and waterways is prohibited.

2.2.6 Disposal of liquid waste into the sanitary sewer is regulated by the Sewer Use Bylaw, 2017. A Special Discharge Permit from the City is required for all non-domestic wastewater disposal into the sanitary sewer.

2.2.7 Some liquid wastes may require testing and certification that they are non-hazardous prior to disposal. Testing must be completed by a certified laboratory.

2.2.8 Separate potentially hazardous waste from non-hazardous waste. Dispose of hazardous waste in accordance with regulations.

2.2.9 Fires and burning of rubbish on site is not permitted.

2.3 Surface and Groundwater Management

2.3.1 Provide temporary drainage and pumping as necessary to keep excavations and the site free from standing water.

2.3.2 Dispose of water pumped from site in accordance with municipal requirements. A Special Discharge Permit may be required.

2.4 Fill Management

2.4.1 All fill sources must be approved by the Engineer. Provide a Chain of Custody. **Confirmatory testing may be required.** Testing must be completed by a certified laboratory.

2.4.2 Potentially contaminated fill must be disposed of at an approved facility or reused with Engineer approval.

2.4.3 Backfill must be clean and approved by the Engineer. Provide a Chain of Custody. **Confirmatory testing may be required.** Testing must be completed by a certified laboratory.

2.4.4 Potentially contaminated fill being stored on site must be segregated and isolated from the public and stored in a manner that prevents any offsite migration, as approved by the Engineer.

2.4.5 Clean soil may be taken to the landfill with proper permitting from the City.

2.5 Dust Management

2.5.1 Apply dust control measures as prescribed by the Engineer.

2.5.2 Maintain erosion and pollution control features if installed under this Contract.

2.5.3 Prevent sandblasting and other extraneous materials from contaminating air beyond the application area by providing temporary enclosures.

2.5.4 Wind erosion control measures should consist of applying water or other dust palliatives to prevent or alleviate dust. Do not apply so much that runoff occurs. Cover stockpiles as an alternative to applying water or dust palliative.

2.6 Noise Control

2.6.1 Noise on site shall be mitigated as to satisfy the Noise Bylaw, 2003 and Occupational Health and Safety requirements.

2.6.2 Consider the surrounding environment and conduct work as to not create excess noise disturbance.

2.6.3 Apply noise control measures as prescribed by the Engineer.

2.7 Erosion and Sedimentation Prevention

2.7.1 Stockpiles should be located in areas with little potential for flooding and at least 15 m (50 ft) from drainage systems and waterways, unless approved by the Engineer. Consider the following options to manage site runoff impacts:

- a) Grade stockpile areas;
- b) Identify downstream storm drains and manholes, and place a cover, fence or barrier around them and/or install a sediment trap; and
- c) Place berms, dikes or temporary diversion structures around stockpiles;
- d) Communicate site runoff management measures to the Engineer.

2.7.2 Design and construct temporary crossings so that minimum erosion is caused to waterways.

2.7.3 Ensure adequate erosion and sediment control measures are in place, as defined by the Engineer.

2.8 Spill Management

2.8.1 Spills must be addressed in a manner that will:

- a) Stop or eliminate the discharge or release from occurring;
- b) Contain the spilled substance so that it does not spread or migrate;
- c) Ensure that public, worker and environmental safety is upheld;
- d) Clean and remediate the spill impacts; and
- e) Fulfill reporting requirements.

- 2.8.2 Spills must never be hosed down or buried.
- 2.8.3 Be prepared for spills by locating and clearly labelling spill kits and used absorbent containers.
- 2.8.4 A substance release must be reported to the Saskatchewan Ministry of Environment if:
- a) The substance may cause or is causing an adverse effect on the environment; or
 - b) The substance meets the criteria set out by the provincial Discharge and Discovery Reporting Standard.
- 2.8.5 All releases requiring reporting to the Saskatchewan Ministry of Environment shall be communicated to the Engineer at the same time.

2.9 **Spill Prevention**

- 2.9.1 Prior to the start of construction activities, all spill hazards must be identified and a Spill Protocol must be developed and communicated to the Engineer.
- 2.9.2 Fueling activities shall be managed in a way such that:
- a) Fueling areas must:
 - Be located on level grade;
 - Be located at least 100 m away from waterways; and
 - Be located at least 50 m away from catch basins; unless a written standard operating procedure is developed, approved by the Engineer and followed;
 - b) Fueling operations are never left unattended at any time;
 - c) A drip tray or equivalent localized spill containment is required when fueling;
 - d) Vehicles and equipment that regularly enter and leave the site are fueled offsite;
 - e) Fixed bulk fuel tanks require secondary containment and adequate release detection systems that comply with regulation;
 - f) Spill kits and appropriate absorbent spill clean-up materials are readily available; and
 - g) All leaks and spills are cleaned up immediately and materials used for cleanup and contaminated soil are disposed of properly

- 2.9.3 Temporary Sanitary Facilities shall be managed such that:
- a) Temporary sanitary facilities are not located near drainage systems, watercourses or waterways;
 - b) Temporary sanitary facilities are located in areas with little potential for flooding; and
 - c) If the area is deemed to be a high wind area, the facilities shall be secured to prevent overturning; unless approved by the Engineer.
- 2.9.4 Liquid waste containment shall be structurally sound, leak-free, and provide sufficient spill containment for the anticipated volume.
- 2.9.5 Frequently inspect liquid waste containment and spill containment devices for damage or defects and repair as needed.
- 2.9.6 Locate liquid waste containment such that accidental releases do not discharge to drainage systems, watercourses, or waterways or threaten health or safety.
- 2.9.7 Construction activity must meet all applicable laws and regulations, including Part III of the provincial Environmental Management and Protection Act, 2010.**
- 2.9.8 Construction material transport, delivery and storage shall satisfy federal, provincial and municipal regulatory requirements, including permitting.**
- 2.9.9 Hazardous material transport, delivery and storage shall satisfy federal, provincial and municipal regulatory requirements, including permitting.**
- 2.9.10 Materials associated with construction activities must be delivered and stored using practices that prevent these materials from polluting water, soil and air.**

2.10 Discovery Management

- 2.10.1 The Engineer may implement additional health and safety procedures for substance discoveries, which could include stopping work in the area of contamination discovery, securing the worksite and taking appropriate measures to protect workers and public safety.

2.10.2 Laboratory testing may be conducted as designated by the Engineer if suspected contaminated water or soil is encountered. Testing must be completed by a certified laboratory.

2.10.3 The discovery of a substance must be reported to the Saskatchewan Ministry of Environment if:

- a) The substance may cause or is causing an adverse effect;
- b) The substance discovered is in a quantity or concentration that could pose a serious risk to the environment or public health or safety; or
- c) The substance meets the criteria set out by the provincial Discharge and Discovery Reporting Standard for the applicable media with respect to that substance.

2.10.4 All discoveries requiring reporting to the Saskatchewan Ministry of Environment shall be communicated to the Engineer at the same time.

2.11 Environmentally Sensitive Lands

2.11.1 Work that occurs within or adjacent to an Environmentally Sensitive Land shall satisfy all applicable regulations.

2.11.2 Work that occurs within or adjacent to a wetland is to be conducted in a way that considers all aspects of the Civic Council Policy C09-041.

2.11.3 Work that occurs within or adjacent to an open space is to meet the requirements of the Park Development Guidelines and Standard Construction Specifications.

2.11.4 Any proposed works on or adjacent to waterways must satisfy all applicable legislation.

2.11.5 Operation of construction equipment in waterways is prohibited, unless the appropriate permitting is acquired.

2.11.6 Using waterway beds for borrow material is prohibited, unless the appropriate permitting is acquired.

2.11.7 Grade all fill on banks to ensure it is compact, contoured to the natural slope of the site and does not affect slope stability as per the approved design.

2.11.8 Dumping of waste material, or debris in waterways is prohibited.

2.12 Historic Artifacts

- 2.12.1 Items of archeological value are protected by the provincial Heritage Property Act and Civic Council Policy C10-020.
- 2.12.2 Items suspected of antique and relic value remain the property of the owner and should be assessed by the owner for protection value.
- 2.12.3 Items identified by the Contractor before work start shall be protected per Civic Council Policy C10-020.
- 2.12.4 Items discovered on City property during work shall be protected per Civic Council Policy C10-020 and reported to the owner for value assessment before proceeding with removal of items.

2.13 Site Clearing

- 2.13.1 Communicate the Site Clearing Plan to the Engineer at least 1 week prior to the site clearing start date.
- 2.13.2 The Site Clearing Plan should incorporate best management practices to protect and conserve existing natural areas, as well as satisfy applicable legislation related to migratory birds and species at risk.
- 2.13.3 The Site Clearing Plan must be designed in a way as to let wildlife have the opportunity to vacate the site on their own.
- 2.13.4 **Permit conditions provided by the Engineer will be adhered to** for the duration that they are applicable.
- 2.13.5 Restrict stripping of topsoil and vegetation to those areas designated in the Contract Documents or as marked by the Engineer.
- 2.13.6 Where possible, maintain existing ground cover to maximize runoff filtration.

2.14 Tree Protection

- 2.14.1 Trees on City property shall be protected according to the requirements of Civic Council Policy C09-011 and the Park Development Guidelines and Standard Construction Specifications.

2.14.2 Protect trees and plants on site and adjacent properties, where indicated by the Engineer, in compliance with municipal requirements.

2.14.3 Restrict tree removal to trees identified by the Engineer, in consultation with Urban Forestry.

2.15 Wildlife Protection

2.15.1 Avoid attracting wildlife to the work space by controlling or eliminating common attractants such as food wastes (garbage), standing water and perceived shelter (stockpiles, bins, boxes, etc.).

2.15.2 Any wildlife encountered during construction activities should first be allowed to exit the site on their own, via safe routes.

2.15.3 If safe routes are unavailable, removal and relocation of wildlife must only be done by qualified wildlife service providers working in accordance with applicable laws.

2.15.4 Be aware of key risk periods for migratory birds as stipulated by Environment Canada.

2.15.5 Avoid engaging in potentially destructive activities during key risk periods.

2.15.6 If activities are unavoidable, communicate with the Engineer to establish an appropriate Risk Management Plan that satisfies all applicable legislation, such as the Migratory Birds Convention Act, 1994 and the Species at Risk Act.

2.16 Invasive Species

2.16.1 Invasive species management should be applied where appropriate and as prescribed by the Engineer, in consultation with Parks.

2.16.2 Prohibited, noxious or nuisance weeds management shall be applied where appropriate and as prescribed by the Engineer, in accordance with The Weed Control Act of Saskatchewan.

01035-3 MEASUREMENT AND PAYMENT

No separate measurement for payment to be made for work in this section.

END OF SPECIFICATION 01035

***Bold text denotes a change in this version (Feb 6, 2019)**

INDEX

	<u>Page</u>
01040-1 GENERAL	2
01040-2 PRODUCTS	2
01040-3 EXECUTION	2

01040-1 GENERAL

1.1 Description

This section specifies requirements for maintenance and cleaning of site during construction and final clean up.

1.2 Related Work Specified Elsewhere

Particular requirements for cleaning are specified under various sections.

1.3 Measurement for Payment

No separate measurement to be made for work in this section.

01040-2 PRODUCTS

2.1 Materials

Use only cleaning materials recommended by manufacturer of surface to be cleaned and as recommended by cleaning material manufacturer.

01040-3 EXECUTION

3.1 General

3.1.1 Conduct cleaning and disposal operations to comply with local ordinances and anti-pollution laws.

3.1.2 Store volatile wastes in covered metal containers and remove from premises daily.

3.1.3 Prevent accumulation of wastes which create hazardous conditions.

3.1.4 Provide adequate ventilation during use of volatile or noxious substances.

3.2 Cleaning During Construction

3.2.1 Maintain project grounds and public properties free from accumulations of waste materials and rubbish.

3.2.2 Provide adequate on-site containers for collection of waste materials and rubbish.

3.2.3 Remove waste materials and rubbish from site.

3.3 Final Cleaning

3.3.1 In preparation for substantial completion, conduct inspection of sight-exposed interior and exterior surfaces.

3.3.2 Broom clean paved surfaces; rake clean other surfaces of ground where required.

3.3.3 Remove debris and surplus materials from site.

END OF SPECIFICATION 01040

INDEX

	<u>Page</u>
01045-1 PRODUCTS	2
01045-2 WORKMANSHIP	3

01045-1 **PRODUCTS**

1.1 **General**

All products, equipment and articles incorporated in the work shall be new, not damaged or defective and of best grade (compatible with specifications) for the purpose intended.

If requested, furnish evidence as to source and quality of products provided.

1.2 **Product Quality**

Should any dispute arise as to the quality or fitness of equipment, materials or products, the decision shall rest with the Engineer, and shall be based upon the requirements of this Contract.

1.3 **Availability of Products**

Immediately on signing the Contract, review the project requirements, anticipate foreseeable supply delays in any items and so notify the Engineer, in order that substitution or other remedial action may be authorized in ample time to prevent work delay. Should the Contractor fail to notify the Engineer at commencement of the work and should it subsequently appear that the work may be delayed for the above reasons, the Engineer reserves the right to substitute more readily available materials or equipment of similar character, at no increase in Contract price.

01045-2 WORKMANSHIP

2.1 General

2.1.1 Workmanship shall be of the best quality, executed by workmen experienced and skilled in their respective trades. If work is specified in such manner as to make it impracticable to produce required results, notify the Engineer for further directions.

2.1.2 At all times, enforce discipline and good order among workers. Do not employ any unfit person or anyone unskilled in the duties assigned to him. The Engineer reserves the right to require the removal, from the site, of workers deemed incompetent, careless, insubordinate or otherwise objectionable.

2.2 Coordination

2.2.1 Ensure full cooperation and coordination among all trades and provide efficient and continuous supervision.

2.2.2 Make certain that the work of various subcontractors does not conflict or create interference, thus assuring completion of the project in a satisfactory manner.

2.3 Measurement and Payment

There will be no separate payment for work outlined in this section.

END OF SPECIFICATION 01045

INDEX

	<u>Page</u>
01050-1 GENERAL	2
01050-2 EXECUTION	2

01050-1 GENERAL

1.1 Description

This section specifies requirements for documentation of as-built information.

1.2 Measurement for Payment

No separate measurement to be made for work in this section.

01050-2 EXECUTION

2.1 Record Drawings

2.1.1 Engineer will provide two sets of white prints for record drawing purposes.

2.1.2 Maintain project "as-built" record drawings and record accurately significant deviations from Contract Documents caused by site conditions and changes ordered by the Engineer.

2.1.3 Mark "as-built" changes in red.

2.1.4 Record following information:

1. Depths of various elements of foundation in relation to survey datum.

2. Horizontal and vertical location of underground utilities and appurtenances referenced to permanent surface improvement or property lines.
 3. Location of internal utilities and appurtenances concealed in construction, referenced to visible and accessible features of structure.
 4. Field changes of dimension and detail.
 5. Changes made by Change Order or Field Order.
- 2.1.5** At completion of project and prior to final inspection, neatly transfer "as-built" notations to second set and submit both sets to the Engineer.

END OF SPECIFICATION 01050

INDEX

	<u>Page</u>
02005-1 GENERAL	2
02005-2 MATERIALS	3
02005-3 EQUIPMENT	4
02005-4 EXECUTION	4
02005-5 TESTING	8
02005-6 EMBANKMENT PROTECTION	9
02005-7 MEASUREMENT	9
02005-8 PAYMENT	10

02005-1 **GENERAL**

1.1 Description

This section specifies requirements for excavating earth materials, disposal of waste excavation and embankment construction within the limits of the Contract and in accordance with the Contract Documents. The work shall be completed to the lines, grades, dimensions and typical cross-sections shown on the plans or as designated by the Engineer.

1.2 Related Work Elsewhere

Subgrade Compaction: Section 02015.

1.3 Definitions

1.3.1 Subgrade: Top surface of the roadbed upon which the pavement structure is constructed.

Only five classes of excavation will be recognized; topsoil removal, excavation to waste, excavation to embankment (NSD) - no specified density, excavation to embankment and rock excavation. All classes shall include removal, free haul, dumping, and where specified, placement, spreading and compaction.

1.3.2 Topsoil Removal: Excavation of material capable of supporting good vegetative growth and suitable for use in top dressing, landscaping and seeding.

1.3.3 Excavation to Waste: Excavation of all materials of whatever nature, excluding materials defined as topsoil or rock found by the Engineer to be unsuitable or in excess of requirements for embankment construction. These may include frozen materials, materials subject to frost action, organic material, spongy or yielding material, asphaltic rubble and wet or saturated materials.

1.3.4 Excavation to Embankment (NSD) - No Specified Density: Excavation of all materials of whatever nature, excluding materials defined as topsoil or rock found by the Engineer to be unsuitable or in excess of requirements for embankment construction. These may include frozen materials, materials subject to frost action, organic material, spongy or yielding material, asphaltic rubble and wet or saturated materials.

1.3.5 Excavation to Embankment: Excavation of all materials of whatever nature, excluding materials defined as topsoil, rock or waste, suitable for embankment construction. These may include sands, gravels, clays, silts and tills which can be excavated with heavy construction equipment and compacted. This item also includes sub-cut where directed by the Engineer.

1.3.6 Rock Excavation: Excavation of boulders or rock fragments having a dimension exceeding 600 mm measured in any one direction.

02005-2 MATERIALS

All material used for embankment construction shall be approved by the Engineer. If construction so necessitates the use of borrow material, it will be obtained from sources indicated or designated by the Engineer.

02005-3 EQUIPMENT

All tools, machinery, plant and equipment used in handling materials and executing any part of the work, shall be subject to the approval of the Engineer. All such equipment shall be maintained in efficient working order and where any of the machinery, plant or equipment is found to be unsatisfactory, it shall be improved or replaced by the Contractor to the satisfaction of the Engineer.

02005-4 EXECUTION

4.1 General

Advise the Engineer sufficiently in advance of excavation operations for initial cross sections to be taken. Maintain crowns and cross slopes to provide good surface drainage.

All inferior material subject to frost action, soft, spongy or yielding spots, or organic material shall be entirely removed and disposed of as directed by the Engineer. Where such materials occur in cut or existing fill sections such that their removal will result in excavation below the subgrade elevation, such excavation will be authorized by the Engineer. These areas shall be backfilled with material approved by the Engineer. Inferior material shall be excavated and disposed of at the contract price for waste excavation or excavation to embankment (NSD). The Engineer will authorize and determine the quantity below the required cross section for the removal of inferior material.

Dust Control

It will be the responsibility of the Contractor to maintain control of dust at the worksite to ensure safety and to reduce public complaint. Dust control shall be done at the expense of the Contractor.

4.2 Topsoil Stripping

Strip topsoil from areas and to depths indicated or directed prior to beginning of excavation and embankment work. Avoid contamination of topsoil and underlying soil.

The topsoil shall be stockpiled on site for subsequent replacement on the side slopes unless otherwise directed by the Engineer.

4.3 Excavation

Completely use in embankments, suitable materials removed from excavations before taking material from borrow areas.

The Contractor shall be responsible to separate all concrete rubble, asphalt pavement, rock, rubbish, trees, etc., from the earth material and shall dispose of the material to the satisfaction of the Engineer at the designated location. All such material will be classified as waste excavation. Silt soil conducive to objectionable frost heaving shall not be used in embankment areas where the fill is less than 600 mm.

Earth materials containing objectionable organic matter shall be excavated and removed from those areas of the roadbed where the fill is less than 600 mm in depth.

Where the existing soil in a cut is such that it is not suitable foundation material for the roadway, the unsuitable material shall be removed as waste excavation or excavation to embankment (NSD) or treated in accordance with instructions obtained from the Engineer.

Once the excavation has been completed to the required cross section, the subgrade shall be compacted as stated in specification section 02015 (Subgrade Compaction) and to the depths indicated on the drawings or as designated by the Engineer.

Construct side ditches to depths and widths indicated or directed, to permit ready flow of surface water. Maintain and keep ditches open and free from debris until final acceptance of work.

4.4 Embankment Construction

When directed, scarify or bench existing slopes in side hill or sloping sections to ensure a proper bond between new materials and existing surfaces. Obtain prior approval of method to be used.

Do not place material which is frozen or place material on frozen surfaces. Maintain a crowned surface during construction to ensure ready run-off of surface water.

Embankment shall be constructed of suitable material placed on successive layers not greater than 150 mm in depth, distributed uniformly over the full width of the cross section. Each layer shall be spread and bladed evenly by means of a blade grader or other approved equipment at least twice so that rollers used for compaction will bear evenly at all times.

Compact each layer to a minimum 98% Standard Proctor density, ASTM D698 method except last 300 mm up to finished subgrade elevation. Compact last 300 mm to 100% Standard Proctor density, ASTM D698 method D.

The finished subgrade shall be proof-rolled with a piece of heavy equipment such as a fully loaded single or tandem axle truck of sufficient axle load to expose any soft spots in the subgrade. There will be no direct payment for proof-rolling, and it shall be an integral part of subgrade acceptance. Soft spots detected by proof-rolling shall be repaired at the Contractor's expense.

Boulders and rock fragments with dimensions exceeding 150 mm not to be placed within 600 mm of finished subgrade elevation.

Boulders and rock fragments with dimensions exceeding 75 mm not to be placed within 150 mm of finished subgrade.

Remove soft or other unstable material that will not compact properly and fill resulting depressions with approved material.

Shape and compact entire roadbed to within 30 mm of design elevations but not uniformly high or low. This requirement must be fulfilled before the work will be accepted.

Do scarifying, blading, compacting or other methods of work as necessary to provide a thoroughly compacted roadbed shaped to grades and cross sections indicated or directed. Refer to Section 02015 Subgrade Compaction.

Finish side slopes to a neat condition, true to lines and grades indicated.

1. Remove boulders encountered in cut slopes and fill resulting cavities.
2. Hand finish slopes that cannot be finished satisfactorily by use of machine.

Place topsoil taken from stockpile or other sources, at locations and to depths directed. Remove surface stones, roots and other debris and leave surface in uniform condition. Trim to maintain embankment slopes.

02005-5 TESTING

The Engineer will determine from the test results the section of the road to be considered for evaluation. All individual test results shall be greater than 98% of the Standard Proctor density, ASTM D698.

If excess moisture exists in the soil, the embankment shall be dried, to the optimum moisture content as determined by the Standard Proctor Compaction Test. In order to expedite compaction, the embankment shall be aerated. Aerating shall be carried out at the expense of the Contractor.

If the moisture existing in the soil is insufficient for compacting to the specified density and for finishing, the Contractor shall add water. The proper moisture content shall be the optimum moisture content, as determined by the Standard Proctor Compaction Test. The water shall be added uniformly by a pressure water sprayer.

The cost of adding water will be considered incidental to compaction and shall be included in the contract price for compaction.

02005-6 EMBANKMENT PROTECTION

After the embankment is compacted and finished, all unnecessary traffic shall be kept off. Should it be necessary to haul material over the completed subgrade, the subgrade failures shall be repaired by the Contractor before placing the subbase.

02005-7 MEASUREMENT

Excavation (topsoil, waste and to embankment) will be measured in cubic metres in its original position. The volume will be determined from the cross section method, except that disposal pit, culvert, ditch block, and approach excavations may be determined from the average length, width and depth.

Topsoil replacement and dressing of slopes shall be measured in square metres of horizontal surface covered. This will include hauling from the stockpile and finish grading on slopes.

Rock excavation will be measured in cubic metres. Once all rocks have been removed from the embankment (or excavation) and stockpiled at the location designated by the Engineer, the stockpile volume will be obtained by measuring three maximum mutually perpendicular dimensions.

The limit of free haul will be a 1 km radius from the point of excavation. For haul beyond the free haul limit, the unit of measurement for overhaul will be the cubic metre-kilometre. The cubic metre-kilometre is 1 cubic metre hauled 1 kilometre.

02005-8 PAYMENT

Payment for Excavation to Embankment will be at the contract unit price per cubic metre. The unit price will be full compensation for excavating, loading, hauling for a distance of 1 km, dumping, spreading, blading and compacting earth; and shaping and trimming of slopes and surfaces.

Payment for Excavation to Embankment - NSD will be at the contract unit price per cubic metre. The unit price will be full compensation for excavating, loading, hauling for a distance of 1 km, dumping, spreading, blading and levelling earth.

Payment for Excavation to Waste will be at the contract unit price per cubic metre. The unit price will be full compensation for excavating, loading, hauling for a distance of 1 km and dumping.

Payment for Topsoil Removal will be at the contract unit price per cubic metre. The unit price will be full compensation for excavating, loading, hauling for a distance of 1 km and dumping.

Payment for topsoil replacement and dressing of slopes shall be at the contract unit price per square metre. The unit price shall be full compensation for loading, hauling, spreading to required depth, blading and trimming to the finished slopes and grades.

Payment for rock excavation shall be at the contract unit price per cubic metre. The unit price shall be full compensation for loading, hauling, stockpiling and/or burying of the rock material.

Payment for overhaul shall be at the contract unit price per cubic metre-kilometre.

END OF SPECIFICATION 02005

INDEX

	<u>Page</u>
02010-1 GENERAL	2
02010-2 DRAINAGE	2
02010-3 TOPSOIL	2
02010-4 CONSTRUCTION OF LOTS	3
02010-5 COMPACTION OF STREETS AND EASEMENTS	3
02010-6 STREETS AND EASEMENTS DESIGN	3
02010-7 COMPLETION	3

02010-1 GENERAL

1.1 Safety

Construction safety measures are to be enforced and the safety of other Contractors within the same work area is to be observed. Refer to Section 01030.

1.2 Dust Control

It is the responsibility of the Contractor to maintain control of dust at the worksite to ensure safety and to reduce public complaint. Dust control shall be done at the expense of the Contractor

02010-2 DRAINAGE

The Contractor is to maintain drainage of low lying areas, so that in the event of rainfall during the construction excessive moisture accumulations do not saturate those areas and impede the progress of work. Temporary drainage is to be provided at all times to keep the site free from water.

02010-3 TOPSOIL

Topsoil is to be stripped from areas and to depths indicated prior to beginning of excavation and embankment work. The topsoil shall be hauled to a site as designated by the Engineer. If the topsoil is stockpiled the stockpile shall be levelled, sloped and shall be constructed to occupy the smallest feasible area. Refer to Section 02005.

02010-4 CONSTRUCTION OF LOTS

Lots are to be shaped and constructed as determined by the plan. All lots are to be left $\pm 100\text{mm}$ of the design grade or as defined in the contract. Any embankment on the lots shall be compacted to 98% Standard Proctor Density.

02010-5 COMPACTION OF STREETS AND EASEMENTS

Streets and easements are to be compacted to a minimum of 98% Standard Proctor Density. Refer to Section 02015.

02010-6 STREETS AND EASEMENTS DESIGN

Streets are to be graded to meet the design centreline grades. Easements and property lines shall be $\pm 50\text{mm}$ of the design grade.

02010-7 COMPLETION

All debris, rocks or any other material that is not needed for the area grading is to be removed from the site.

The completed entire area is to be levelled and graded smooth.

END OF SPECIFICATION 02010

INDEX

	<u>Page</u>
02015-1 GENERAL	2
02015-2 EQUIPMENT	2
02015-3 CONSTRUCTION	2
02015-4 SUBGRADE PROTECTION	5
02015-5 MEASUREMENT	5
02015-6 PAYMENT	5

02015-1 GENERAL

1.1 Description

This section specifies requirements for shaping and compacting the subgrade to the required grade, cross section and density. This shall include scarifying, blading, spreading, shaping, trimming, compacting, adding water, drying and repairing subgrade failures before placement of subbase.

1.2 Related Work Elsewhere

Excavation and Embankment Construction: Section 02005

02015-2 EQUIPMENT

All tools, machinery, plant and equipment used in executing any part of the work shall be suitable for the work to be carried out and shall be maintained in efficient working order and where any of the machinery, plant or equipment is found to be unsatisfactory, it shall be improved or replaced, by the contractor, to the satisfaction of the Engineer.

02015-3 CONSTRUCTION

Field densities and moisture content tests will be taken by the Engineer to ensure that the subgrade is compacted to the specified density.

Subgrade compaction (150 mm) includes scarifying, shaping and compacting the top 150 mm of the subgrade to the required grade, cross section and density.

Subgrade compaction (300 mm) includes shaping and compacting the top 300 mm of the subgrade to the required grade, cross section and density. The compaction procedure shall consist of removing the top 150 mm of material below the finished grade, compacting and scarifying the bottom 150 mm to the specified density and thereafter placing and compacting the top 150 mm of subgrade. The following table indicates the required compaction effort per road type:

Roadway Group	Road Class	Subgrade Compaction Depth
Residential	Locals	150 mm
	Collectors	300 mm
	Arterials	300 mm
Commercial	Locals	300 mm
	Collectors	300 mm
	Arterials	300 mm
Industrial	Locals	300 mm
	Collectors	300 mm
	Arterials	300 mm
Freeways and Ramps		300 mm
Boundary Roads		300 mm

Final compaction of the subgrade surface shall be done with pneumatic tire rollers to give a smooth tight finish. Rolling shall be continued until all loose soil is properly compacted true to within 10 mm of design elevations but not uniformly high or low. This requirement must be fulfilled before the work will be accepted.

Sub grade compaction shall meet the following requirements as determined by the Standard Proctor Compaction Test:

1. The average of the test results shall not be less than 100% of the maximum density; and,
2. All individual tests results shall be greater than 98% of the maximum density; and,
3. The frequency of the test shall be two tests per 50 lineal metres of grade or one test per block.

The finished subgrade shall be proof-rolled with a piece of heavy equipment such as a fully loaded single or tandem axle truck of sufficient axle load to expose any soft spots in the subgrade. There will be no direct payment for proof-rolling, and it shall be an integral part of subgrade acceptance. If there is any visual movement in the subgrade the soft spots detected by proof-rolling shall be repaired at the Contractor's expense. If the movement is due to the insitu soils below the subgrade preparation the Engineer will provide direction. Condition of soils below the subgrade preparation layer are the responsibility of the Engineer.

If excess moisture exists in the soil, the top 300 mm of the subgrade shall be dried on all roadways, to the optimum moisture content as determined by the Standard Proctor Compaction Test. In order to expedite compaction, the subgrade shall be aerated. Aerating shall be carried out at the expense of the Contractor.

If the moisture existing in the soil is insufficient for compacting to the specified density and for finishing, the Contractor shall add water. The proper moisture content shall be $\pm 2\%$ of the optimum moisture content as determined by the Standard Proctor Compaction Test. The water shall be added uniformly by a pressure water sprayer.

The cost of adding water will be considered incidental to compaction and shall be included in the contract price for compaction.

Inaccessible areas by large compaction equipment shall be compacted by mechanical hand tampers.

GeoTextile

The use of Geotextile may be needed to act as a platform to place the granular material on the roadway. This material will be placed on the subgrade and covered with a minimum of 300mm of granular material.

The woven Geotextile shall have a minimum grab tensile strength of 1.4kN and a minimum puncture resistance of 0.7kN.

Measurement and payment for the Geotextile will be on a unit price basis per square metre of finished horizontal placement area and include all material, labour, equipment and superintendence to supply and place as per the manufacturer's recommendations.

02015-4 SUBGRADE PROTECTION

After the subgrade is compacted and finished, all unnecessary traffic shall be kept off. Should it be necessary to haul material over the completed subgrade, subgrade failures shall be repaired by the Contractor before placing the subbase.

02015-5 MEASUREMENT

Subgrade compaction to the specified depth will be measured in square metres. The finished trimmed top surface of the subgrade, as staked by the Engineer, will be the basis of measurement.

02015-6 PAYMENT

Payment for subgrade compaction to the specified depth will be at the contract unit price per square metre. The unit price will be full compensation for scarifying, blading, spreading, shaping, trimming, compacting, adding water, drying, repairing subgrade failures before placing subbase and finishing the subgrade to the required grade, cross-section and density.

END OF SPECIFICATION 02015

INDEX

	<u>Page</u>
02055- 1 DESCRIPTION OF WORK	2
02055- 2 EQUIPMENT	2
02055- 3 EXCAVATION	2
02055- 4 SUBGRADE CONSTRUCTION	3
02055- 5 HAUL	5
02055- 6 CLEARING AND GRUBBING	5
02055- 7 UNDERGROUND SERVICES	6
02055- 8 ALTERATIONS, DAMAGE, SAFETY PROTECTION, ETC.	7
02055- 9 SURVEY PINS, STAKES, LINES & LEVELS	7
02055-10 PUBLIC CONVENIENCE	8
02055-11 METHOD OF MEASUREMENT	9
02055-12 BASIS OF PAYMENT	9

02055-1 DESCRIPTION OF WORK

This specification covers the supply of all labour, equipment and materials necessary for the excavation and compaction of the subgrade to the lines and grades as shown on the drawings and as herein specified.

02055-2 EQUIPMENT

All tools, machinery, plant and equipment used in handling materials and executing any part of the work, shall be subject to the approval of the Engineer. All such equipment shall be maintained in efficient working order and where any of the machinery, plant or equipment is found to be unsatisfactory, it shall be improved or replaced by the Engineer.

02055-3 EXCAVATION

The width of roadway and cross section in cut shall be as shown on the drawings and/or staked or designated by the Engineer. Excavation shall normally be to the finished subgrade as shown on the drawings.

Suitable excavated material shall be used as far as practicable in the formation of fills or for other backfill. Materials obtained from excavation and used as fill in the work will be paid for only as excavation. The Contractor shall shape and form both excavation and embankment to the satisfaction of the Engineer.

All inferior material subject to frost action, soft spongy or yielding spots, or organic material shall be entirely removed and disposed of as directed by the Engineer. Where such materials occur in cut or existing fill sections such that their removal will result in excavation below the subgrade elevation, such excavation shall be authorized by the

Engineer. These areas shall be backfilled with material approved by the Engineer with suitable imported material. Such inferior material shall be excavated and disposed for the unit bid price for common excavation. The Engineer will authorize and determine the quantity below the required cross section for the removal of inferior material.

Common excavation shall include the excavation of all earth, loose stones, gravel and all other materials (Refer to Section 02005-1.3) and the disposition of same in accordance with these specifications or as directed by the Engineer.

The unit bid price for common excavation shall include the cost for placement in the roadway and compaction as specified herein, trimming or disposal within the free-haul limit or as directed by the Engineer.

02055-4 **SUBGRADE CONSTRUCTION**

4.1 **Description**

Cut sections and embankments or fills shall be constructed in accordance with these specifications and in conformity with the grades and cross sections shown on the plans or as ordered by the Engineer in case of any changes in original plans.

4.2 **Materials**

Embankment or fill sections shall be constructed with soils approved by the Engineer. The material shall be free from objectionable organic matter, frozen soil, stumps, trees or other objectionable material.

Stones having a dimension 150 millimetres or more when measured in any direction shall be excluded from all fill areas. All stones of larger size shall be removed from the grade and disposed of as directed by the Engineer. No extra payment will be made for such stone removal and disposal.

After the black dirt has been removed from the streets and lanes to the depth specified or approved by the Engineer, care must be taken to incorporate the transition material below the topsoil in the bottom of a fill area. At all times the best quality of material within designated balanced cut and fill sections or other areas as designated by the Engineer shall be incorporated near the surface of the fill area.

4.3 Subgrade Compaction

Embankment shall be constructed of suitable material placed on successive layers not greater than 150 millimetres in depth, distributed over the full width of the cross section. Each layer shall be spread and bladed evenly by means of a blade grader or other approved equipment before placing another lift. During this procedure, the Contractor shall operate his equipment in such a manner where the entire embankment will be compacted to the same degree.

4.4 Moisture Content

When the moisture content of the existing soil is in excess of the amount of moisture required for building a firm embankment, the soil shall be dried to the satisfaction of the Engineer. In order to expedite the project it may be necessary to aerate the soil. The cost of aerating will be considered incidental to excavation with no extra payment.

4.5 Condition of Subgrade

The Contractor shall maintain a street or lane, or part of a street or lane, until such is completed and approved to the satisfaction of the Engineer. Should it be found necessary to haul materials over the subgrade, all cuts, ruts and breaks in the surface of the subgrade so resulting shall be repaired in a manner satisfactory to the Engineer.

Cut and embankment areas shall be trimmed and shaped at the end of each working day in such a manner as to eliminate any ponding of water or saturation of the subgrade in the event of rain.

The Contractor shall shape and trim the street or lane or part thereof when such is to correct grade before commencing excavation in a new area.

02055-5 HAUL

The limit of free-haul for removing topsoil and earth excavation will be specified in the General Requirements. For haul exceeding the specified free-haul distance, the Contractor will be paid for overhaul at a unit bid price per cubic metre-kilometre measured along the centre line of the route travelled or the most economical route.

02055-6 CLEARING AND GRUBBING

Clearing and grubbing consists of the removal of all timber, brush, stumps, roots, grain, grass, weeds, rubbish, or other such perishable material from within the limits of the streets and lanes, also from such areas as may be required for off take, ditches, borrow pits, areas for stockpiling topsoil, etc.

All timber, brush, roots, etc. is to be piled at convenient points on the limits of the streets or lanes and disposed of as directed by the Engineer. .

The cost of clearing and grubbing will be considered incidental to excavation and must be included within the unit bid price for excavation.

02055-7 UNDERGROUND SERVICES

The Contractor shall be responsible to have all underground services and utilities located. The Contractor is responsible in the event that damage or disturbance does occur to underground structures.

Where existing underground gas, power, telephone or other street improvements are encountered or may be affected by this construction, the Contractor shall proceed under the direction of the respective Utility Company as the case may be. Should any of the above mentioned underground services require to be re-aligned or regraded to avoid interference with construction, then such work shall be done at the expense of the City or on a Force Account basis.

Whenever an underground service has been exposed or damaged, the Contractor shall immediately notify the respective Utility Company and Engineer to make their own inspection and repairs if required. Such repair work will be done at the expense of the Contractor.

02055-8 ALTERATIONS, DAMAGE, SAFETY PROTECTION, ETC.

All manholes, catch basins, valve boxes or any other sewer and water appurtenances shall be raised, lowered, or otherwise altered to meet the new grade by the Contractor and at the expense of the City. After the above mentioned work is completed, the City shall provide adequate notices, barriers, warning lights and all other means of protection for the safety of the public for a maximum period of twenty-four (24) hours, or whenever possible, the Contractor upon reasonable notice from the City shall provide the adequate protection at the initial time when the work is completed. In the event that the Contractor neglects to place the necessary barricades and warning lights, the City may place these and the costs shall be borne by the Contractor. The minimum charge for each placing of notices, warning lights and barricades by the City shall be fifty dollars (\$50.00).

During the progress of the work, extreme care shall be taken to protect the above mentioned structures against damage of any nature. Any damage shall be immediately repaired by the Contractor at his own expense. The Contractor shall take all necessary precautions to prevent material from falling into manholes, catch basins, valve boxes, etc., and shall be responsible for thoroughly cleaning same at the completion of the work.

02055-9 SURVEY PINS, STAKES, LINES & LEVELS

All work to be performed under this Contract shall be laid out by the Engineer by means of stakes or reference stakes and the Contractor is required to make the completed work conform to the lines and levels thus indicated.

The Contractor shall, before commencing work at any point, satisfy himself as to the meaning and correctness of all stakes and no claim will be entertained by the City for any allowances based on inaccuracies, or for any alterations subsequently rendered necessary on account of his failure to read same correctly. Should the Contractor discover or suspect any errors, he shall at once discontinue the work until such errors are investigated and rectified, but no claim shall be made or allowed on account thereof on account of any delay occasioned thereby.

The Contractor shall give the Engineer as early notice as possible whenever additional levels, lines, stakes, etc., are required on any portion of the work, stating the location at which such are needed for immediate use.

The Contractor will be held responsible for the preservation of all stakes and survey pins. If any of them are disturbed or destroyed he shall at once notify the Engineer and if in the opinion of the Engineer, the Contractor has been negligent in their protection, then the entire cost of replacing any stakes, survey pins, etc., so destroyed may be charged against the Contractor and deducted from any payments due him under this Contract.

02055-10 PUBLIC CONVENIENCE

The Contractor shall carry on the said works as to cause the least possible obstruction to streets, lanes or thoroughfares within or adjacent to the construction area, and shall provide temporary access to locations as directed by the Engineer. The Contractor shall provide and maintain all necessary notices, barriers, warning lights or any other means of protection for the safety of the public from the commencement to the completion of his work.

02055-11 METHOD OF MEASUREMENT

11.1 Excavation

The quantity of common excavation and stripping for which payment will be made, shall be the volume in cubic metre, measured in its original position and computed by the average end area method for materials excavated or as otherwise determined by the Engineer.

11.2 Overhaul

As per Clause 2055-5.

02055-12 BASIS OF PAYMENT

Payment for excavation, stripping, overhaul and other items set out in the tender form will be on the basis of unit bid prices as specified in the Tender Form.

The prices tendered for the various classes of excavation shall be full compensation for all hauling within the free-haul limit, formation of embankment or fill, all compaction and subgrade construction as specified herein, trimming of slopes, disposal of surplus material, and the furnishing of all tools, labour, superintendence, equipment and incidentals, necessary to complete the work in a satisfactory and workmanlike manner.

END OF SPECIFICATION 02055

INDEX

	<u>Page</u>
02060-1 GENERAL	2
02060-2 MATERIALS	2
02060-3 EQUIPMENT	3
02060-4 CONSTRUCTION	3
02060-5 TESTING	8
02060-6 MEASUREMENT	8
02060-7 PAYMENT	9

02060-1 GENERAL

1.1 Description

This section specifies the requirements for constructing the grade (foundation) for concrete sidewalk, curb and gutter, which shall consist of excavation, embankment construction, and subgrade preparation to the lines, grades, and dimensions specified.

1.2 Definitions

1.2.1 Subgrade: The upper finished layer of material (usually earth) on which the levelling course or the concrete is placed.

1.2.2 Rock Excavation: Excavation of boulders or rock fragments having a dimension exceeding 600 mm measured in any one direction.

02060-2 MATERIALS

2.1 Embankment and Subgrade

All material used for embankment and subgrade construction shall be approved by the Engineer. If construction so necessitates the use of borrow material, it will be obtained from the adjacent roadway or as designated by the Engineer.

2.2 Base Aggregate

Specifications for base aggregate are contained in the Aggregates Specification 03001-3.2.2 "Base Aggregate".

The aggregate shall not be delivered before it has been tested and approved.

02060-3 EQUIPMENT

All tools, machinery, plant and equipment used in executing any part of the work shall be suitable for the work to be carried out and shall be maintained in efficient working order and where any of the machinery, plant or equipment is found to be unsatisfactory, it shall be improved or replaced, by the Contractor, to the satisfaction of the Engineer.

02060-4 CONSTRUCTION

4.1 Excavation

Excavation shall include the removal and satisfactory disposal of all material encountered including earth, gravel, asphalt walk and asphalt driveways required for the construction of sidewalk, curb and gutter. Excavation for boulevards (where required) shall be carried out concurrently with this excavation. The Contractor shall incorporate suitable excavated materials into embankment construction.

Adequate suitable material shall also be retained on site to enable backfilling of the sidewalk, curb and gutter.

All inferior material subject to frost action, soft, spongy or yielding spots, or organic material shall be entirely removed and disposed of as directed by the Engineer. Where such materials occur in cut or existing fill sections such that their removal will result in excavation below the subgrade elevation, extra excavation will be authorized by the Engineer. These areas shall be backfilled with material approved by the Engineer.

4.2 Embankment

Embankments shall be constructed by placing and compacting successive layers of uniform thickness not exceeding 150 mm.

Approved mechanical compaction equipment shall be used to achieve a minimum of 98 percent of the Standard Proctor Density in each layer. Hauling equipment will not be accepted in lieu of compaction equipment.

When more embankment material is required than is readily available from normal excavation for new subdivision development locations, the Contractor will be permitted to borrow from an adjacent unimproved roadway provided that the borrow area is levelled to:

1. maintain surface drainage,
2. accommodate all vehicular traffic.

Along improved roadways, the Contractor shall supply any material required beyond that which is available from related excavation.

4.3 Surplus Material

Surplus excavated material shall not be sold under any circumstances. It may be wasted by the Contractor only when no specific location is given by the Engineer. When a location is designated, the Contractor shall haul, dump and level the material as directed. In new subdivision development, clean earth material may be placed on unimproved roadways provided that it is levelled to:

1. maintain surface drainage,
2. accommodate all vehicular traffic.

4.4 Subgrade Preparation

Subgrade Preparation only applies to grade construction - subgrade.

Grade Construction-Base requires no defined operation for subgrade preparation but does require compactive effort to create a firm foundation for the placement of the granular base.

Subgrade preparation shall be carried out to a depth not less than 150 mm below the bottom of the concrete structure and extending 125 mm beyond each side of the proposed concrete structure. All material shall be scarified and mixed, then wetted or dried. The subgrade shall be compacted to a minimum of 98% of the Standard Proctor Density by means of approved mechanical compaction equipment. Sheepsfoot rollers may be required by the Engineer in locations with cohesive soil.

The finished subgrade shall be proof-rolled with a piece of heavy equipment such as a fully loaded single or tandem axle truck of sufficient axle load to expose any soft spots in the subgrade. There will be no direct payment for proof-rolling, and it shall be an integral part of subgrade acceptance. Soft spots detected by proof-rolling shall be repaired at the Contractor's expense.

Transverse or longitudinal service trenches that have not thoroughly settled shall be excavated and backfilled with approved material and compacted to a minimum of 98% of the Standard Proctor Density. The type of mechanical compactor to be used shall be approved by the Engineer.

Where concrete is hand formed final grade preparation and compaction shall be carried out after the forms are placed. The correct screed shall be used to check the subgrade elevation to ensure adequate thickness for sand or granular levelling course and concrete. When the subgrade preparation is approved, the Contractor will be permitted to place and compact the levelling course which will give the required sidewalk thickness.

A levelling course will not be required when subgrade is cut to design grade and cross section, as with a rotary trimmer. Any loose material left on top of the grade by this operation shall be removed or compacted.

The surface of the subgrade after final trimming and rolling shall be within ± 10 mm of the design cross-section and staked elevations.

Boulevard preparation where required shall be carried out concurrently with the subgrade preparation.

4.5 Existing Roadways

Any grading, or subgrade preparation, required by the Contractor to accommodate his equipment shall be the responsibility of the Contractor and he shall restore the roadway and boulevards to their original condition within five days. Any roadway gravel contaminated by the clay or other material shall be replaced by the Contractor at his expense.

When grade construction is required along an existing gravelled street, the Contractor shall, at his own expense, blade the gravel away from the work and replace the gravel to the satisfaction of the Engineer when the sidewalk, curb and gutter construction has been completed.

During sidewalk reconstruction, if unsuitable subgrade material requires replacement, and if borrow areas, coal chutes or openings require backfilling with granular material, such work shall be carried out by the Contractor at the applicable contract unit prices.

4.6 Accommodation of Equipment

Where it is necessary to carry out extra earthwork to accommodate the Contractor's equipment (for grade preparation or concrete construction) the execution and cost of such work shall be the Contractor's responsibility.

4.7 Granular Fill

When granular fill material is specified under sidewalks, curbs, traffic islands and medians, or to backfill trenches, the specified aggregate shall be supplied, placed and compacted by the Contractor at the respective unit prices. The minimum density of the material shall be 98% of the Standard Proctor Density.

4.8 Grade Protection

The protection of the grade shall be the responsibility of the Contractor from the time that work on the site commences until the concrete structure has been completed and backfilled. If concrete construction is not included in the Contractor's work, his responsibility shall end when the base has been checked, tested and approved by the Engineer.

Any damage caused by persons, vehicles, equipment or adverse weather shall be repaired by the Contractor at his expense.

The grade shall be barricaded against unnecessary traffic. Good surface drainage on the grade and on the adjoining roadway shall be maintained by the Contractor, and he shall drain any pools of water by ditching or pumping. No additional payment will be made for these measures.

02060-5 TESTING

Testing will be carried out at the following approximate intervals:

Base Aggregate - Initial testing for source approval; minimum of one test per month thereafter.

Subgrade Compaction - two tests per 50 lineal metres of grade. One test is to be taken in the gutter area and one test is to be taken in the walk area.

Initial testing of the base aggregate shall be the Contractor's responsibility and he shall provide copies of reports on the following tests for approval by the Engineer:

1. Wash Sieve Analysis (CSA A23.2-2A, 5A)
2. California Bearing Ratio, Unsoaked (ASTM D1883)

Subsequent testing responsibility shall be in accordance with Section 01020 of the General Requirements.

02060-6 MEASUREMENT

6.1 Grade Construction-Subgrade will be calculated in square metres based on the horizontal width of the proposed concrete structure plus 250 mm, and on the actual length constructed.

- 6.2 Grade Construction-Base will be calculated in square metres based on the horizontal width of the proposed concrete structure plus 250 mm, and on the actual length constructed.
- 6.3 Extra excavation will be measured by cross section and calculated in cubic metres as determined by survey grades.
- 6.4 Extra embankment construction will be measured by cross section and calculated in cubic metres as determined by survey grades. Width and depth as specified by the Engineer.
- 6.5 Rock excavation will be measured in cubic metres based on the actual volume of the individual rocks.

02060-7 PAYMENT

- 7.1 Grade Construction-Subgrade will be paid for at the contract unit price per square metre which will be full compensation for subgrade preparation, and all incidental related work.
- 7.2 Grade Construction - Base will be paid for at the contract unit price per square metre which will be full compensation for removal and disposal of excess subgrade material, compaction of the finished subgrade to provide a firm and suitable subgrade, supply, placement and compaction of 150 mm of granular base to a minimum of 98% of Standard Proctor Density.
- 7.3 Extra Excavation will be paid for at the contract unit price per cubic metre which will be full compensation for excavating, loading, hauling and disposing of material, and all incidental related work.

- 7.4 Extra Embankment Construction will be paid for at the contract unit price which will be full compensation for placing, compacting, trimming and incidental related work. It shall also include excavating, loading, dumping of earth material when not available from surplus excavated material.
- 7.5 Rock Excavation shall be paid for at the unit contract price per cubic metre which will be full compensation for excavating, loading, hauling and disposal of the rock, including landfill fees where applicable.

END OF SPECIFICATION 02060

INDEX

	<u>Page</u>
03001-1 DESCRIPTION	2
03001-2 REFERENCE TO STANDARD SPECIFICATIONS	2
03001-3 MATERIALS	2
03001-4 EQUIPMENT	16
03001-5 CONSTRUCTION	17
03001-6 MEASUREMENT	22

03001-1 DESCRIPTION

Work under these specifications shall include the supplying, processing, stockpiling, loading, hauling and dumping or spreading of granular material meeting the requirements shown for each classification. Delivery shall be to anywhere within the City of Saskatoon.

03001-2 REFERENCE TO STANDARD SPECIFICATIONS

Reference in these Specifications will be made to the latest edition of the American Society for Testing Materials (A.S.T.M.) and Canadian Standards Association (C.S.A.) covering aggregate and methods of testing aggregates.

03001-3 MATERIALS

3.1 General

3.1.1 Source

The source of the aggregate shall be the locations specified in Schedule "E" - List of Production Locations in the Tender Form or alternate locations acceptable to the Engineer.

3.1.2 Composition

The aggregate shall consist of fragments of durable rock, free from undesirable quantities of soft or flaky particles, shale, loam, vegetation or other deleterious material.

3.1.3 Reclaimed Asphalt Pavement

Reclaimed Asphalt Pavement (RAP) shall be the product of removed pavement materials containing asphalt and aggregates. These materials are generated when asphalt pavements are removed for reconstruction, resurfacing, or to obtain access to buried utilities. Specifications for the addition of reclaimed materials in granular base and subbase layers are contained in the Asphalt Specifications Section 03050 for Granular Base Course and 03010 for Granular Subbase Course.

3.1.4 Moisture Content

Except when moisture control is specified, aggregate moisture content (by dry aggregate weight) shall be in the following ranges:

- Maintenance Base Aggregate, 3-6%;
- Dry Maintenance Base Aggregate, 0-3%;
- Street Sanding aggregate, 0 - 4%
- for all other aggregates, 0 - 5%

When moisture control is specified it shall be carried out as a part of processing and stockpiling, and shall be included in the unit costs. Such aggregate (moisture control specified) shall, at time of delivery to site, have a moisture content in the range of 1.5% below optimum to 0.5% above optimum.

All aggregate delivered to the job site, having a moisture content greater than specified in 3.1.3 will be subject to a price adjustment from the contract unit price. The price reduction will be \$0.50 per percent moisture for street sand, and \$0.40 per tonne per percent moisture for all other aggregate over the maximum specified.

Example 1 – Street Sand

For 2,000 tonnes street sanding aggregate with a moisture content of 6% would be:

<u>Actual</u>	<u>Difference</u>	<u>Rate Reduction</u>
6.0%	6.0% - 4.0% = <u>2.0%</u>	2,000t x \$0.50/t/% x 2% = <u>\$2,000.00</u>

Example 2 – Moisture Control

City orders 2,000 tonnes of base aggregate to be supplied at optimum moisture content (use 7.2%), the corresponding payment reduction for material delivered with a moisture content of 8.0% and 4.9% would be:

<u>Actual</u>	<u>Allowable Difference</u>	<u>Rate Reduction</u>
8.0%	7.2% + 0.5% = <u>7.7%</u>	2,000t x (8.0%-7.7%)*\$0.40/t/% = <u>\$240.00</u>
4.9%	7.2% - 1.5% = <u>5.7%</u>	2,000t x (5.7%-4.9%)*\$0.40/t/% = <u>\$640.00</u>

3.1.5 Existing Stockpiles

Material stockpiled by the Contractor both prior to and after the award of the Contract will not be accepted unless:

1. testing was carried out by an approved Testing Agency at the minimum frequency specified in Section 3.3.1.
2. test results indicate the material meets current specifications and is uniform throughout the stockpile, and;
3. random testing by the City at time of delivery confirms the quality of the material.

3.2 Classification

3.2.1 Subbase Aggregate

Subbase aggregate shall be uniformly graded between the following limits:

<u>Sieve Designation</u>	<u>Percent by Weight Passing</u>
50 mm	100
25 mm	75-100
12.5 mm	52-100
5 mm	30-75
2 mm	20-55
400 µm	8-30
71 µm	3-15

The Plasticity Index of the material passing the 400 um sieve shall not exceed 6.

The organic content of the material passing the 5 mm sieve shall not exceed 3.0% by weight.

The material, when compacted to 100% of the maximum density as determined by the Standard Proctor Compaction Test, shall have a minimum CBR of 25 in the unsoaked condition at 0.1" or 0.2" penetration, whichever is greater (ASTM D1883).

3.2.2 Base Aggregate

Base aggregate shall consist of a homogenous mixture of crushed gravel, sand filler and clay binder with a maximum organic content of 1.0% by weight, and shall be uniformly graded between the following limits:

<u>Sieve Designation</u>	<u>Percent by Weight Passing</u>
25 mm	100
18 mm	87-100
12.5 mm	72-93
5 mm	45-77
2 mm	29-56
900 µm	18-39
400 µm	13-26
160 µm	7-16
71 µm	6-11

At least 50% by weight of the material retained on the 5 mm sieve shall have one or more fractured faces created by the crushing operation. The organic content of the material passing the 5 mm sieve shall not exceed 3.0% by weight.

The material, when compacted to 100% of the maximum density as determined by the Standard Proctor Compaction Test, shall have a minimum CBR of 65 in the unsoaked condition at 0.1" or 0.2" penetration whichever is greater (ASTM D1883).

3.2.3 Asphalt Aggregate

Specifications for all types of asphalt aggregate are contained in the Asphalt Specifications Section 04010 "Asphalt Mix".

3.2.4 Street Sanding Aggregate

Street sanding aggregate shall consist of clean, hard, durable particles free from clay, loam and other objectionable material.

The aggregate shall contain a minimum 25% crushed and/or angular aggregate particles (by weight) retained on the 2.5mm plus sieve.

The aggregate shall be free from frozen lumps under all weather conditions. It will be the Contractor's responsibility to protect his

stockpiles from excessive moisture, to waste frozen material, or to take whatever steps necessary to meet this requirement.

Street sanding aggregate shall meet the following grading limits:

<u>Sieve Designation</u>	<u>Percent by Weight Passing</u>
9 mm	100
5 mm	87-95
2.5 mm	50-70
900 um	25-40
400 um	7-22
160 um	0-5
71 um	0-3

The minimum street sanding aggregate requirements are to be met by October 1st.

Sieve analysis and moisture content testing will be performed on samples obtained from the conveyor prior to processing with salt or liquid de-icer. The following payment adjustments for street sand will apply as follows:

- a) More than 3% passing by weight on the 71µm sieve

% Passing by Weight	Payment
0% to ≤ 3.2%	100%
> 3.2% to ≤ 3.9%	90%
> 3.9% to ≤ 5.0%	80%
> 5.0% to ≤ 6.0%	70%
> 6.0%	0%

- b) Less than 100% passing by weight on the 9mm sieve (these adjustments can be applied to samples taken at point of deliver with or without de-icer additives.

% Passing by Weight	Payment
≥ 99.5%	100%
> 99.0% to < 99.5%	90%

> 98.0% to ≤ 99.0%	80%
≤ 98.0%	0%

- c) Material meeting specifications for percent passing the 9mm and 71 µm sieve, but out of specification on any other sieve size. A payment reduction of \$0.10/tonne will be assessed against all of the material processed that day.

3.2.5 Concrete Aggregate

Specifications for concrete aggregate are contained in Concrete Specifications Section 06005 "Ready Mixed Concrete".

3.2.6 Plaster Sand

The aggregate shall consist of fine granular material composed of hard, strong, durable mineral particles which are free of injurious amounts of saline, alkaline, organic or other deleterious substances.

The grading shall be from fine to coarse within the following limits:

<u>Sieve Designation</u>	<u>Percent by Weight Passing</u>
5 mm	100
2.5 mm	95-100
1.25 mm	85-96
630 µm	68-93
280 µm	27-79
160 µm	0-59
71 µm	0-9

3.2.7 Pipe Bedding Aggregate

Pipe bedding aggregate shall conform to the following gradation:

<u>Sieve Designation</u>	<u>Percent by Weight Passing</u>
19.00 mm	100
12.50 mm	75-100
4.75 mm	45-70
2.00 mm	28-50
850 µm	18- 36
425 µm	12- 26
150 µm	7- 15
75 µm	5- 10

3.2.8 Crushed Rock

Crushed rock shall be composed of fragments of durable rock, free from undesirable quantities of soft or flaky particles, shale, loam and other deleterious material.

The material shall conform to the following grading limits:

<u>Sieve Designation</u>	<u>Percent by Weight Passing</u>
50 mm	100
25 mm	0-80
12.5 mm	0-18
5 mm	0-12
71 µm	0-5

At least 50% by weight of the material retained on the 5 mm sieve shall have one or more fractured faces created by the crushing operation. Crushed rock shall be delivered as required to one of the City of Saskatoon material reclamation yards, or, if so directed by the Engineer, to the City Yards, or other alternate location.

For use as a roadway sub-drainage aggregate permeability of the aggregate must be greater than 1×10^{-4} cm/sec.

3.2.9 Crushed Concrete

Crushed concrete shall be derived from durable fragments of concrete, free from undesirable quantities of soft or flaky particles, shale, loam and other deleterious material.

The material shall conform to the following grading limits:

<u>Sieve Designation</u>	<u>Percent by Weight Passing</u>
50 mm	100
25 mm	0-80
12.5 mm	0-18
5 mm	0-12
71 μ m	0-5

At least 50% by weight of the material retained on the 5 mm sieve shall have one or more fractured faces created by the crushing operation. Crushed concrete shall be delivered as required to one of the City of Saskatoon material reclamation yards, or, if so directed by the Engineer, to the City Yards, or other alternate location.

For use as a roadway sub-drainage aggregate, permeability of the aggregate must be greater than 1×10^{-4} cm/sec.

3.2.10 Sub-drainage Sand and Natural Fines

Sub-drainage Sand and Natural Fines shall be free from soft or flaky particles, shale, loam and other deleterious material.

The gradation of the sub-drainage sand and natural fines shall be within the following limits:

<u>Sieve Designation</u>	<u>Percent Passing by Weight</u>
28 mm	100
12.5 mm	90 - 100
5 mm	75 - 100
2 mm	55 - 100
800 µm	35 - 75
400 µm	20 - 50
160 µm	0 - 15
80 µm	0 - 5

Permeability of the sub-drainage sand and natural fines must be greater than 1×10^{-4} cm/sec.

Use gradation to determine suitability, however permeability specification will be used as guide for acceptance of the material.

3.2.11 Pit Run

Shall be of durable aggregate free from deleterious material such as roots, grasses, and topsoil and have a top size of no greater than 150 mm and have a minimum of 35% by weight retained on the plus 5 mm sieve.

3.2.12 Non-Shrink / Unshrinkable Fill

Non-shrink/unshrinkable fill shall conform to the following specifications:

- 28 day Compressive Strength - 0.30 to 0.50 MPa.
- Strength after 24 hours - a minimum of 0.07 MPa.
- Binder - Type 10 Portland Cement - minimum 30 Kg per cubic metre.
- Air entrainment - 5% to 8%.
- Slump - 150 mm to 200 mm.
- Aggregate shall be a type used for concrete, consisting of clean, hard durable stone or gravel free from lumps, soft and flaky particles, organic matter, salt, alkali and adherent coatings. No more than 10% by weight of the aggregate shall be finer than passing the 75 μ m sieve.

3.2.13 Bedding Sand

The aggregate shall consist of fine granular material composed of hard, strong, durable mineral particles which are free of injurious amounts of saline, alkaline, organic or other deleterious substances.

The grading shall be from fine to coarse within the following limits:

<u>Sieve Designation</u>	<u>Percent by Weight Passing</u>
5 mm	95-100
2.5 mm	80-100
1.25 mm	50-85
630 μ m	25-60
280 μ m	10-30
160 μ m	0-15
71 μ m	0-5

3.3 Testing

3.3.1 Tests and Frequency

All tests shall be carried out in accordance with current ASTM or CSA Standards. Test frequencies shall apply both to production (quality control) and to delivery (quality assurance).

<u>Material</u>	<u>Minimum Frequency of Test</u>	<u>Test Required</u>
Base and subbase	Every 2,000 tonnes	1. Wash Sieve Analysis 2. Percentage Crush 3. Moisture Content
	Every 6,000 tonnes	1. Standard Proctor 2. CBR Value 3. Plasticity Index 4. Organic Content
Sanding Aggregate	Every 1,000 tonnes	1. Wash Sieve Analysis 2. Moisture Content
Plaster Sand	Every 200 tonnes	1. Wash Sieve Analysis
Pipe Bedding Aggregate	Every 2,000 tonnes	1. Wash Sieve Analysis
	Every 6,000 tonnes	1. Organic Content
Pipe Bedding Sand	Every 2,000 tonnes	1. Wash Sieve Analysis
	Every 6,000 tonnes	1. Organic Content
Crushed Rock	Every 2,000 tonnes	1. Wash Sieve Analysis

3.3.2 Testing Services

Sampling and laboratory testing will be conducted by an agency appointed by the City. Copies of all test results will be made available to the Contractor.

In addition, the Contractor may choose to employ his own testing agency at his cost. However, in the event of a discrepancy between test results, those obtained by the City's testing agency will govern.

3.3.3 Notification

The Contractor shall notify the Engineer at least one working day prior to the commencement or the resumption of aggregate production. Whenever possible, sampling will be done from the crusher belt.

3.3.4 Costs

The Contractor shall bear the cost of sampling and testing material in the following situations:

1. Initial testing to bring production into specification requirements.
2. Testing as above when source of material is changed.
3. Retesting of material which failed to meet specifications.

Testing for 1 and 2 may be conducted by the Contractor's agency. If the City conducts the testing, the costs will be deducted from any subsequent progress payments.

The cost of other testing initiated by the City during production will be borne by the City. No compensation will be made to the Contractor for testing initiated by the Contractor during current or previous production.

3.3.5 Sieve Analysis

The gradation of the material, when plotted on a semi-log grading chart, shall appear as a smooth curve within the specified band.

The average of the results of any 5 consecutive Wash Sieve Analysis Tests on material sampled at the crusher belt, or any 2 consecutive Wash Sieve Analysis Tests on material sampled at the delivery location, shall be within the grading limits specified for that material. Failure to meet this requirement shall result in the rejection of the material.

3.4 Enforcement of Specifications

Delivery of material to City locations will not be permitted until test results confirm that it meets specifications, and until the stockpile requirements of Section 5.2 have been fully met.

Any deviation from specifications during the production of material shall require the Contractor to take immediate corrective action. Equipment shall be shifted to ensure that there is no contamination of the current stockpile. A new stockpile shall be started adjacent to the former stockpile only after the product has been proven by testing to again meet specifications. Any material of inferior quality, or not in accordance with this specification, brought to, or incorporated into the work shall be immediately removed by the Contractor, at his own expense. In the event of the Contractor failing to comply with this provision, the Engineer may remove such materials, or cause them to be removed and deduct the cost of same from any subsequent progress payments to the Contractor.

In the event that removal of the inferior material is not required by the Engineer for any reason, then an appropriate payment adjustment as defined by the Engineer shall be applied to all of that material delivered to the site on that day.

03001-4 **EQUIPMENT**

4.1 **Weigh Scales**

The City will provide weigh scales at no cost to the Contractor at the City Yards at Ontario Avenue and 26th Street on a year round basis.

The Contractor may weigh large and/or continuous deliveries at the scale most convenient to his source. Small or intermittent deliveries outside the normal construction season shall be weighed over Scale at the City Yards.

The Contractor shall, where indicated in the tendering documents, quote on using his own scale, provided that the scale is certified.

4.2 **Trucks**

The Contractor may use any trucks of any type capable of delivering in accordance with job requirements. Specific conditions to be met include:

1. Certain delivery points are confined areas such as lanes and parking lots which may prevent the use of trucks larger than tandems.
2. Delivery is either spreading for road construction or dumping in a manner suitable for the project.
3. Centre-dump vehicles will only be permitted where base or subbase is to be spread for roadway construction.

Prior to the start of delivery, the Contractor shall supply a complete list of trucks, owner's names, registration numbers, tare weights and licence load limits. This list shall be updated whenever changes occur.

All trucks shall be weighed when delivery commences and at random times during the Contract.

03001-5 CONSTRUCTION

5.1 Production

5.1.1 **Blending**

Care shall be taken in the selection of material in the pit so as to produce a uniform product.

If blending of materials from more than one source is required to meet specifications, all such blending shall be done in the production equipment.

5.1.2 **Sand Elimination**

When it is necessary to eliminate sand to meet the grading specifications, the sand shall be removed prior to the crushing operation.

5.2 Stockpiling

5.2.1 **Procedure**

Each stockpile shall be constructed to contain not less than 10,000 tonnes or one-half of the remaining estimated contract quantity (whichever is less).

The area where the stockpile is to be located shall be shaped to a uniform smooth surface and graded to ensure positive drainage from the stockpile.

The material shall be placed uniformly on a predetermined area, in layers not exceeding 1 m in thickness.

Construction operations shall be controlled to prevent segregation of the various particle sizes.

If material is dumped by vehicles, it shall be spread with a dozer. The construction of each layer shall progress from outer edges toward the centre.

The material shall not be pushed or dumped over the edges or down the faces of the stockpile.

The material may be stockpiled from a stacker or conveyor belt only if all material is transported from the conveyor belt across the stockpile by means of a dozer or loader.

At the end of each day, the top of the stockpile and gravel pit shall be properly levelled and sloped. When stockpiling is carried out in winter, the Contractor shall take precautions that no snow is incorporated into the stockpile.

The completed stockpile shall be neat and regular in form and shall be constructed to occupy the smallest feasible area.

If different types of material are to be stockpiled, the piles shall be located and constructed so that no intermingling of material will occur.

Any rejected material must be placed a good distance away from an approved stockpile.

Material which does not meet specification within 5,000 tonnes of crushing will therefore be rejected and a new stockpile will be started in a new location clearly away from the rejected material.

5.2.2 Minimum Quantities

During the construction season, the Contractor shall, on his site, maintain the following minimum stockpile quantities of stockpiled, tested and approved material:

Base Aggregate	15,000 tonnes
Subbase Aggregate	15,000 tonnes
Sanding Aggregate	10,000 tonnes
Other Material	5,000 tonnes

All material supplied shall be loaded from a stockpile. Direct delivery from the crusher will not be permitted.

5.3 Delivery

5.3.1 Rate of Delivery

The Contractor shall be prepared to supply the following approximate quantities at a uniform delivery rate during each working day (including Saturdays when prior notice is given).

1. Granular Base and Subbase

If one Contractor has the contract to supply aggregate to both sides of the river, the Contractor shall be prepared to deliver up to 2,000 tonnes of aggregate per day to each side of the river or a total up to 4,000 tonnes per day. If a Contractor has only to supply aggregate to one side of the river, the Contractor shall be prepared to deliver up to 3,000 tonnes of aggregate per day.

2. Other Materials

The Contractor shall be prepared to deliver up to 1,000 tonnes per day of any other aggregate materials.

The Contractor and the Engineer shall be in close contact with the progress of the projects to determine daily delivery requirements. Whenever an appreciable change in delivery quantities or actual requirements is known in advance by either party, one party shall give reasonable notice to the other party.

5.3.2 Breakdown

Whenever the Contractor is unable to deliver any material due to major stationary plant or equipment (trucks and self-mobile equipment excluded) breakdown, the Contractor shall immediately notify the Engineer when delivery of material shall resume. Non-delivery time period for material required by the City shall not be longer than 24 hours.

5.3.3 Alternate Sources

In the event that the Contractor fails to supply any or only supplies a portion of material required, the Engineer under this Contract, shall be at liberty to purchase the required material so in default from any firm which is willing and ready to supply. The Contractor shall pay the City, on demand, any increase in the cost of material so purchased, over and above the cost of similar material under this Contract.

5.3.4 Loading Procedure

The Contractor shall provide supervision of the loading operation to ensure correct source and procedures. Material loaded from the stockpile shall be removed in a manner which results in mixing of the full height of the stockpile face.

5.3.5 Load Limits

Maximum gross weight of vehicles operating within the City limits shall conform to Section 7 of the Traffic Bylaw No. 7200 and to any current amendments. In addition, the load limit as established by the Saskatchewan licence for each vehicle shall not be exceeded.

Where rural municipal roads are to be used, requirements established by the R.M. Council must be met. This includes road maintenance and load permits.

5.3.6 Truck Routes

Vehicles operating under this Contract shall be confined to routes shown on Schedule No. 8, Division 0, Section 00705 of General Conditions. For purposes of making a delivery, trucks must stay on a designated route to the point closest to the delivery point. The Engineer has the right to assign the final portion of the route, namely over local streets from the designated route to the delivery point.

5.3.7 Maintenance of Haul Routes

The City will, at its own expense, maintain all haul routes within the City limits.

Haul routes outside the limits of the City of Saskatoon shall, insofar as

practical with respect to minimizing haul distance, be on numbered provincial Highways.

Where hauling is required over roads outside the City other than along Provincial Highways, the Contractor shall, prior to commencing this Contract, make formal arrangements for the use of such roads with the municipality having jurisdiction. These shall include the extent of the Contractor's responsibility for maintenance of road surface, for traffic safety and for dust palliation. A copy of the agreement shall be submitted to the City prior to commencement of the Contract.

03001-5 MEASUREMENT

6.1 Aggregate

The unit of measurement shall be the tonne. If City or Contractor's weigh scales are not in operation, the aggregate weight shall be calculated on the basis of actual volume of material delivered and average unit weight determined from previously weighed truck loads of similar material.

6.2 Moisture

The moisture content (dry weight basis) shall be determined by sampling the material at the place of delivery and averaging the results of each one-month period. This average moisture content shall be applied against the total quantity delivered for that same one-month period to calculate a payment reduction.

6.3 Quantity Summaries

The Contractor shall submit monthly statements for each item showing a daily sub-total and a cumulative total for the period.

END OF SPECIFICATION 03001

INDEX

	<u>Page</u>
03005-1 DESCRIPTION	2
03005-2 MATERIALS	2
03005-3 APPROVAL FOR BASE COURSE	3
03005-4 CONSTRUCTION	3
03005-5 MEASUREMENT	6
03005-6 PAYMENT	6

03005-1 **DESCRIPTION**

The work shall include the supplying of all labour, plant equipment and materials required to construct granular base course at the location and in conformity with the line, grade and dimensions shown on the plans or as designated by the Engineer.

03005-2 **MATERIALS**

The Contractor shall supply the base course material. Refer to the Aggregates Specifications 03001-3.2.2 “Base Aggregate”.

The material passing a 400 µm Sieve shall have a Plasticity Index from 0 to 6.

The material shall consist of fine graded mixtures of sand, silt, and clay, and shall be free from organic or other deleterious material and meet the following requirements:

<u>Sieve Designation</u>	<u>Percent by Weight Passing Canadian Metric Standard Sieves</u>	
	<u>Binder</u>	<u>Filler</u>
5.0 mm	100	100
400 µm	100	90
71 µm	50	25
Plasticity Index	10	0

Reclaimed Asphalt Pavement (RAP) may be blended with base granular materials, in a manner approved by the Engineer, and re-used in a new construction as granular base to a maximum amount of 30% by mass. The blended base granular shall not contain more than 1.7% by mass asphalt cement as determined by ASTM D2172.

The allowable moisture content of the base course shall not exceed the optimum moisture content when delivered to the road.

03005-3 APPROVAL FOR BASE COURSE

A representative sample of the base course material shall be supplied to an approved Testing Laboratory. The sample shall contain not less than 35 kg.

The following tests shall be performed.

- (a) Wash Sieve Analysis
- (b) Plasticity Index
- (c) C.B.R. Value
- (d) Standard Proctor Compaction Test
- (e) Percentage crush of material retained on the 5 mm Sieve.

One copy of the test results shall be submitted to the Engineer at least 7 days before base course construction commences. Base course construction shall not commence unless the material is approved by the Engineer.

The cost of submitting samples and testing by the Testing Laboratory shall be borne by the Contractor until the material is approved by the Engineer. After the material is approved, partial subsequent testing will be carried out at the expense of the Contractor in accordance with the requirements of Testing and Inspection (Specification 03020).

Preliminary approval of the material shall not constitute general acceptance of the stockpile, deposit or source of supply.

03005-4 CONSTRUCTION

Materials shall be handled in a manner such that segregation of the coarser and finer fractions will not occur.

Base aggregate shall be stockpiled after crushing. Stockpiles shall be constructed in accordance with the requirements for stockpiling aggregates (Specification 03015).

The thickness of any compacted base course lift shall not be less than 75 mm and not greater than 150 mm.

Oversize material shall not be incorporated into the base course.

RAP blended granular base shall not be placed within the top 150mm of the granular base course layer.

Base course shall not be spread and compacted if the atmospheric temperature is 2°C and falling.

If excess moisture exists in the base course, it shall be dried to the optimum moisture content as determined by the Standard Proctor Compaction Test.

If necessary for compacting, water shall be added. The optimum moisture content will be determined by the Standard Proctor Compaction Test. Watering and compaction shall be controlled to prevent pumping of fines to the surface or washing fines away.

Each lift shall be compacted to not less than 100% of the maximum density as determined by the Standard Proctor Compaction Test. The density of this section will be considered satisfactory when:

1. Test results average not less than 100% of maximum density; and,
2. All individual test results are greater than 98% of maximum density.

This shall also include base placed under walks and curbs when the grade preparation for the walks and curbs is constructed in conjunction with the roadway.

The finished base course shall be proof-rolled with a piece of heavy equipment such as a fully loaded single or tandem axle truck of sufficient axle load to expose any soft spots. There will be no direct payment for proof-rolling, and it shall be an integral part of base course acceptance. If there is any visual movement the soft spots detected by proof-rolling shall be repaired at the Contractor's expense. If the movement is due to the insitu soils below the subgrade preparation the Engineer will provide direction. Condition of soils below the subgrade preparation are the responsibility of the Engineer.

Failures in the subgrade, subbase course or base course which develop on a section of road upon which base course has been deposited, shall be repaired at the expense of the Contractor.

Base course shall be spread by motor graders or other equipment approved by the Engineer.

Any ruts or irregularities formed on the surface of any layer during compaction shall be bladed smooth during compaction operations. The Contractor shall spread and shape each layer to the cross section shown on the drawings or as designated by the Engineer. The finished surface of the final layer shall conform to the longitudinal grade within a tolerance of 10 mm, but not uniformly high or low, and shall have no depressions or high areas more than 6 mm under a straight edge 3 m long when placed in any direction.

A prime coat shall be placed on the finished final lift of base course in accordance with the requirements for Asphalt Prime, Tack and Flush Coat (Specification 04025).

Streets, roads and lanes used for hauling material, that are damaged, shall be repaired by the Contractor at the Contractor's expense.

The sewers and manholes shall be cleaned thoroughly using a high pressure sewer flusher. After base gravel placement, all dirt, sand, rocks and other solids resulting from the cleaning operation shall be removed by vacuum truck at the downstream manhole of the section being cleaned.

All accumulations of debris shall be hauled by the Contractor to the pollution control plant for disposal. The Contractor shall be responsible for cleaning and or any damages that result from debris entering the existing sewer system.

The Contractor shall be responsible for removing all debris from catch basins.

03005-5 MEASUREMENT

Granular base course will be measured in tonnes or square metres as specified.

03005-6 PAYMENT

Payment for granular base course will be at the contract unit price per tonne or square metre. The unit price will be full compensation for loading, hauling, dumping, spreading, watering, aerating, compacting, and proof-rolling. The unit price will also be full compensation for adding binder and/or filler sand.

END OF SPECIFICATION 03005

INDEX

	<u>Page</u>
03010-1 DESCRIPTION	2
03010-2 MATERIALS	2
03010-3 APPROVAL OF SUBBASE COURSE	3
03010-4 CONSTRUCTION	4
03010-5 MEASUREMENT	6
03010-6 PAYMENT	6

3010-1 **DESCRIPTION**

The work shall include the supplying of all labour, plant, equipment and materials required to construct granular subbase course at the location and in conformity with the line, grade and dimensions shown on the plans or as designated by the Engineer.

03010-2 **MATERIALS**

The Contractor shall supply the subbase course material. Refer to the Aggregates Specifications 03001-3.2.1 “Subbase Aggregate”.

The subbase aggregate shall be composed of fragments of durable rock free from undesirable quantities of soft or flaky particles, shale, loam and organic or other deleterious material.

Reclaimed Asphalt Pavement (RAP) may be blended with subbase granular materials, in a manner approved by the Engineer, and re-used in new construction as granular subbase to a maximum amount of 40% by mass. The blended subbase granular shall not contain more than 2.2% by mass asphalt cement as determined by ASTM D2172.

A higher Plasticity Index may be approved by the Engineer if sufficient load bearing capacity can be obtained from the subbase course.

The allowable moisture content of the subbase course shall not exceed the optimum moisture content when delivered to the road.

03010-3 APPROVAL OF SUBBASE COURSE

A representative sample of the subbase course material shall be supplied to an approved Testing Laboratory. The sample shall contain not less than 35 kg.

The following tests shall be performed.

- a) Wash Sieve Analysis
- b) Plasticity Index
- c) C.B.R. value
- d) Standard Proctor Compaction Test

One copy of the test results shall be submitted to the Engineer at least 7 days before subbase course construction commences. Subbase course construction shall not commence unless the material is approved by the Engineer.

The cost of submitting samples and testing by the Testing Laboratory shall be borne by the Contractor until the material is approved by the Engineer. After the material is approved, partial subsequent testing will be carried out at the expense of the Contractor in accordance with the requirements of Testing and Inspection (Specification 03020).

Preliminary approval of the material shall not constitute general acceptance of the stockpile, deposit or source of supply.

03010-4 CONSTRUCTION

Materials shall be handled in a manner such that segregation of the coarser and finer fractions will not occur.

Stockpiles shall be constructed in accordance with the requirements for stockpiling aggregates (Specification 03015).

The compacted lift of subbase course shall not exceed 150 mm in depth.

Oversize material shall not be incorporated into the subbase course.

Subbase course shall not be spread and compacted if the atmospheric temperature is 2°C and falling.

If excess moisture exists in the subbase course, it shall be dried to the optimum moisture content as determined by the Standard Proctor Compaction Test.

If necessary for compacting, water shall be added with a pressure distributor. The optimum moisture content will be determined by the Standard Proctor Compaction Test. Watering and compacting shall be controlled to prevent pumping of fines to the surface or washing fines away.

Each lift shall be compacted to not less than 100% of the maximum density as determined by the Standard Proctor Compaction Test. The density of this section will be considered satisfactory when:

1. Test results average not less than 100% of maximum density; and,
2. All individual test results are greater than 98% maximum density.

The finished base course shall be proof-rolled with a piece of heavy equipment such as a fully loaded single or tandem axle truck of sufficient axle load to expose any soft spots. There will be no direct payment for proof-rolling, and it shall be an integral part of base course acceptance. Soft spots detected by proof-rolling shall be repaired at the Contractor's expense.

Failures in the subgrade, or subbase course, which develop on a section of roadway upon which subbase course has been deposited, shall be repaired at the expense of the Contractor.

Subbase course shall be spread by motor graders or other equipment approved by the Engineer.

Any ruts or irregularities formed on the surface of any layer during compaction shall be bladed smooth during compaction operations. The Contractor shall spread and shape each layer to the cross section shown on the drawings or as designated by the Engineer. The finished surface of the final layer shall conform to the longitudinal grade within a tolerance of 15 mm, but not uniformly high or low, and shall have no depression or high areas more than 10 mm under a straight edge 3 m long when placed in any direction.

The final lift of subbase course shall have sufficient stability such that when compacted, it will not rut or break through during the hauling and placing of the bottom lift of base course.

Streets, roads and lanes used for hauling material, that are damaged, shall be repaired by the Contractor at the Contractor's expense.

03010-5 MEASUREMENT

Granular subbase course will be measured in tonnes or square metres as specified.

03010-6 PAYMENT

Payment for granular subbase course will be at the contract unit price per tonne or square metre. The unit price will be full compensation for loading, hauling, dumping, spreading, watering, aerating, compacting and proof-rolling.

END OF SPECIFICATION 03010

INDEX

	<u>Page</u>
03015-1 DESCRIPTION	2
03015-2 MATERIALS	2
03015-3 CONSTRUCTION	2
03015-4 PAYMENT	3

03015-1 DESCRIPTION

The work shall consist of placing aggregates in stockpiles and shall apply to all aggregates stockpiled by the Contractor.

03015-2 MATERIALS

The aggregate shall conform to the requirements of the specification for the material being stockpiled.

03015-3 CONSTRUCTION

The area where the stockpile is to be located shall be shaped to a uniform smooth surface and graded to ensure positive drainage from the stockpile.

Construction operations shall be controlled to prevent segregation of the various particle sizes.

The material shall be placed uniformly, on a predetermined area, in layers not greater than 1 m in thickness. If material is dumped by vehicles, it shall be spread with a dozer. The construction of each layer shall progress from outer edges toward the centre.

The material shall not be pushed or dumped over the edges or down the faces of the stockpile.

The material may be stockpiled from a conveyor belt only if it is transported from the conveyor belt across the stockpile by means of a dozer.

The side slopes of the stockpile shall not be steeper than 1-1/2 : 1

The completed stockpile shall be neat and regular in form and shall be constructed to occupy the smallest feasible area.

If different types of material are to be stockpiled, the piles shall be located and constructed so that no intermingling of material will occur.

03015-4 PAYMENT

Stockpiling aggregates in accordance with this specification will not be paid for directly, but will be considered a subsidiary obligation of the Contractor under other contract items.

END OF SPECIFICATION 03015

INDEX

	<u>Page</u>
03020-1 DESCRIPTION	2
03020-2 MATERIAL TESTING	2

03020-1 DESCRIPTION

The work covered by this specification shall include the inspection and testing of materials at the production site and also in the field with material in its final position.

03020-2 MATERIAL TESTING

All tests performed shall be carried out according to the current A.S.T.M. or C.S.A. standards.

All sieve analysis in this specification shall refer to a wash sieve analysis.

After the Contractor has been awarded the contract for supplying aggregate, the Contractor shall notify the Engineer when aggregate processing shall commence.

A representative sample of the surfacing material shall be supplied to an approved Testing Laboratory. The sample shall contain not less than 22 kg.

The following tests on each sample shall be performed.

Material _____	Frequency of test _____	Test Required _____
Base Aggregate and Subbase Aggregate	Every 6,000 tonnes	1. Wash Sieve Analysis 2. Plasticity Index 3. Percentage Crush retained on 5 mm (No. 4) Sieve 4. Moisture content 5. C.B.R. Value 6. Standard Proctor Compaction Test

One copy of the test results shall be submitted directly to the Engineer, by the Testing Laboratory, hired by the Contractor. The Contractor shall notify the Engineer when the testing will be carried out by the Testing Laboratory. The test results shall be forwarded to the Engineer as soon as they are available and the written report submitted to the Engineer within 2 days after the results are available.

When test results are not provided as specified, the Engineer may engage a Testing Laboratory to carry out the specified testing. The cost of the testing will be at the expense of the Contractor.

When additional testing is required because of frequent changes in crusher location or aggregate supply, the cost of the additional testing shall be done at the expense of the Contractor. When the quality of the material is in question, the cost of all additional testing required shall be paid for by the Contractor. The cost of original density tests will be paid for by the City of Saskatoon. If the density test does not meet the specifications, any additional testing shall be paid for by the Contractor.

END OF SPECIFICATION 03020

INDEX

	<u>Page</u>
03050-1 DESCRIPTION	2
03050-2 MATERIALS	2
03050-3 CONSTRUCTION	3
03050-4 MEASUREMENT	5
03050-5 PAYMENT	5

03050-1 **DESCRIPTION**

The work shall consist of a protective covering of stone constructed with or without grout on an earth bed or granular filter blanket. Riprap shall be constructed at the locations shown on the plans or as designated by the Engineer.

The Contractor shall supply all labour, material, and equipment necessary to complete the work to the satisfaction of the Engineer.

03050-2 **MATERIALS**

2.1 Riprap material for culverts and other drainage work, shall consist of hard durable field stones, boulders or quality rock.

2.1.1 **Type A Riprap:** The minimum requirements of Type A Riprap are: Fifty (50) percent of the material must be greater than forty-five (45) kilograms and ninety (90) percent must be greater than twenty-seven (27) kilograms.

2.1.2 **Type B Riprap:** The minimum requirements of Type B Riprap are: Fifty (50) percent of material must be greater than thirty-four (34) kilograms and ninety (90) percent must be greater than fourteen (14) kilograms.

No stone shall be less than one hundred and fifty (150) mm dimension, with dimension being defined as length, width and depth.

- 2.2 The grout shall consist of a mixture of one (1) part Portland Cement and three (3) parts fine clean sand, or as otherwise designated by the Engineer. The consistency shall be such, that it can be easily worked into the spaces between the stones with a mason's trowel.

03050-3 CONSTRUCTION

3.1 Excavation

3.1.1 Hand Placed and Grouted Riprap

The aprons and slopes to be riprapped shall be excavated and trimmed to an even, uniform surface so as to provide an adequate foundation upon which the riprap shall be placed. The depth of excavation shall be carried out as shown on plans or as designated by the Engineer.

3.1.2 Random Riprap

The aprons and slopes to be riprapped shall be excavated as shown on the plans or as designated by the Engineer, so as to provide a ledge or support upon which the stones may be dumped.

3.2 Placement of Materials

3.2.1 Hand Placed Riprap

The stones shall be placed by hand, on the prepared aprons and slopes, with the largest stones being placed at the bottom of the slope.

The stones shall be placed as close together as possible without any shaping of the stones themselves.

3.2.2 Grouted Riprap

The stones shall be placed as in 3.2.1 above. Before placement of the grout, the stones shall be thoroughly wetted. The grout shall then be placed, commencing from the bottom of the slope and progressing upward, ensuring that all voids between the stones are filled with grout.

The stones shall project a distance of fifty (50) to one hundred (100) millimetres above the grouted surface, depending upon the dimension of the stone itself. After grouting, the surface shall be thoroughly brushed to expose the stone surface to the extent designated above.

Grout shall not be placed when the temperature is four (4) degrees Celsius and falling.

The finished grouted surface shall, after sufficient setting, be sprayed with a curing compound supplied by the City of Saskatoon.

3.2.3 Random Riprap

Random riprap shall be dumped onto the prepared surface and sufficient handwork utilized, to provide a uniform surface to the satisfaction of the Engineer.

03050-4 MEASUREMENT

Measurements shall be based upon surface area (m²) as measured on the accepted completed product and upon one (1) layer of riprapping.

03050-5 PAYMENT

Payment for hand placed, grouted, or random riprap shall be at the contract unit price per square metre as specified on the Tender Form, and be full compensation for supplying, hauling, placing and supplying all labour and equal parts necessary to complete the work to the satisfaction of the Engineer.

END OF SPECIFICATION 03050

INDEX

	<u>Page</u>
03060-1 DESCRIPTION	2
03060-2 MATERIALS	2
03060-3 CONSTRUCTION	4
03060-4 MEASUREMENT	4
03060-5 PAYMENT	4

03060-1 DESCRIPTION

Work under these specifications shall include the supplying and installation of geotextile and geogrid material that meets all requirements shown for each classification.

03060-2 MATERIALS

2.1 Geotextiles

Geotextiles come in a variety of structures and polymer compositions. The main functions of geotextiles are; separation, reinforcement, filtration, drainage, and protection. There are two types of geotextiles which the contractor will be permitted to use; Woven and Non-Woven (Needle Punched) fabrics.

2.1.1 Woven Geotextiles

Physical properties for woven geotextiles shall meet the following requirements:

Properties	Test Method	Units	Woven Geotextile Specification
Grab Tensile Strength	ASTM-D 4632	kN	1.4
Trapezoid Tearing Strength	ASTM-D 4533	kN	0.5
CBR Puncture	ASTM-D 6241	kN	6.0
Permittivity	ASTM-D 4491	sec ⁻¹	0.7

2.1.2 Non-Woven Geotextiles

Physical properties for non-woven geotextiles shall meet the following requirements:

Properties	Test Method	Units	Non-Woven Geotextile Specification
Grab Tensile Strength	ASTM-D 4632	kN	0.80
Trapezoid Tearing Strength	ASTM-D 4533	kN	0.35
CBR Puncture	ASTM-D 6241	kN	2.2
Permittivity	ASTM-D 4491	sec ⁻¹	1.5

All non-woven geotextiles shall be a needle punched fabric.

2.2 Geogrids

Geogrids come in a range of polymer type and cross-sectional dimensions and are to be used when specified by the engineer for reinforcement. When the geogrid has been installed apertures (openings) between the longitudinal and transverse elements allow soil particles on either side to come into direct contact thus increasing the interaction between the geogrid and the soils above and below.

Physical properties for geogrids shall meet the following requirements:

Properties	Test Method	Units	Geogrid Specification
Aperture Size	Measured	mm	25-40
Tensile Strength @ 5% Strain	ASTM-D 6637	kN/m	11 (in weakest direction)
Ultimate Tensile Strength	ASTM-D 6637	kN/m	17 (in weakest direction)
Junction Efficiency	GRI-GG2-05	%	90

All geogrids shall be a bi-oriented geogrid.

2.3 Biaxial Geogrid with Integrated Non-woven Geotextile

Where specified, Biaxial Geogrid shall be provided meeting the following properties:

- Polypropylene extruded monolithic flat structured bars
- Integrated non-woven geotextile
- Square shaped apertures
- Welded rigid junctions

Properties	Test Method	Units	Geogrid Specification
Aperture Size	EN ISO 10319	mm	31x31
Tensile Strength @ 5% Strain	EN ISO 10319	kN/m	32
Ultimate Tensile Strength	EN ISO 10319	kN/m	40

Properties	Test Method	Units	Geotextile Specification
Mass per unit area	EN ISO 9864	g/m ²	≥150
Grab Tensile Strength	EN ISO 10319	kN/m	7.5
Puncture Force	EN ISO 12236	N	1670

03060-3 CONSTRUCTION

The contractor will supply and install, when directed to do so by the engineer, a geotextile (woven or non-woven) or geogrid between the specified structural material (sub-grade, sub-base, base).

The geotextile or geogrid after placement will lie flat and free of wrinkles, and the contractor will ensure that it remains flat during placement of the overlying material.

The geotextile or geogrid will be overlapped by 300mm along the seams.

03060-4 MEASUREMENT

Measurement will be based upon surface area (m²) covered by the geotextile or geogrid.

03060-5 PAYMENT

Payment will be full compensation for labour, materials and equipment required to supply and install the geotextile or geogrid material and shall be at the contract unit price per square metre (m²) as specified on the tender form.

END OF SPECIFICATION 03060

INDEX

	<u>Page</u>
04000-1 DESCRIPTION	2
04000-2 MATERIALS	2
04000-3 EQUIPMENT	3
04000-4 CONSTRUCTION	4
04000-5 MEASUREMENT AND PAYMENT	8

04000-1 **DESCRIPTION**

This section specifies requirements for labour, machinery, equipment and material required to rout cracked asphaltic pavement and supply and place hot-poured rubberized asphalt sealant in transverse and longitudinal cracks.

City forces will, at no cost to the Contractor, sweep the debris from the gutter and remove the "No Parking" signs after the street has been opened to traffic.

1.1 **Traffic Accommodation**

The City shall set up, maintain, and dismantle all detours\lane restrictions on Expressways. The Contractor is required to set up, maintain and dismantle all detours on all other road classes in accordance with City of Saskatoon standards. Details of the detouring along with a list of the streets to be treated are included in Section 01005 Specific Conditions.

04000-2 **MATERIALS**

2.1 **Selection of Materials**

The crack sealant shall be a high quality rubberized asphalt sealing compound. This material shall adhere to all bituminous and concrete surfaces and have the flexibility and resiliency to withstand pavement temperatures encountered in Saskatoon.

All products must meet or exceed ASTM Specification D6690. The City has approved Crafc0 Road Saver 522. This is the only crack seal product approved at this time. Other crack sealing products must be evaluated and approved by the City of Saskatoon prior to use.

04000-3 EQUIPMENT

The following list of equipment is required but not limited to complete the work.

(a) Melting Kettle

The rubberized asphalt sealant shall be heated in a portable, rubber tired, double boiler type unit capable of indirect heating of the sealant. The kettle shall be equipped with:

- automatic heat controlling device to control product temperature.
- a horizontally mounted built-in paddle agitator capable of automatic operation to keep the sealant under vigorous continuous movement during heating.
- monitoring thermometers for the sealant temperature and heat transfer oil if present.
- a positive displacement pump to discharge the sealant via a connecting wand such that proper temperatures are maintained.

(b) Pavement Crack Router

A vertical router capable of cutting grooves with vertical sides in asphaltic concrete pavements to specified widths and depths. Routers must be able to achieve consistent and accurate routing depths. The router must be capable of following meandering cracks with routing restricted to the crack without any unnecessary pavement cutting. The router shall be equipped with suitable screens to prevent flying particles that may be hazardous to personnel or may

damage vehicles or property.

(c) **Hot Compressed Air Lance (HCA Lance)**

The HCA Lance shall be capable of providing a combined jet of compressed air and a propane flame capable of clearing, heating, drying and darkening a routed or unrouted crack.

(d) **Crack Filling Devices and Strike-off Tools**

This equipment must be capable of flattening a head of sealant over the prepared crack if it has been overfilled.

04000-4 CONSTRUCTION

4.1 Crack Preparation

All areas to be routed and or cleaned shall be inspected by the Engineer prior to the work starting. Cracks less than 19 mm in width must be routed to a width of 19 mm or greater. Both sides of the crack shall be routed. All cracks routed shall be routed to a minimum depth of 20 mm. Cracks greater than 30 mm shall not be routed or sealed.

Wedged chips or other non-compressible material shall be removed prior to sealing. The routed and non-routed crack must be cleaned and heated using a HCA lance to remove debris, dust and moisture. The hot rubberized asphalt sealant must be placed within 30 seconds of hot lancing. Pavement surfaces adjacent to the cleaned cracks shall be blown and cleared of all debris that might otherwise contaminate the cleaned crack prior to sealing.

4.2 Preparation of the Crack Sealant

During the melting operation, all foreign material shall be prevented from entering the melter. All sealant protection wrapping is to be removed prior to melting the compound if required by the manufacturer. The compound shall be melted slowly with constant agitation. The manufacturer's maximum safe heating temperature and minimum pour temperatures shall be adhered to at all times. The Engineer may allow temperature lower than the minimum pour temperature when the ambient temperature is high or on steep gradients where the sealant might otherwise flow after placement. The maximum crack seal batch size shall be as much crack filling sealant as can be placed in a given day, or 400 litres, whichever is less.

Reheating unused sealant shall not be permitted. All overheated, diluted or contaminated material shall be removed from the site and disposed of at the Contractor's expense.

4.3 Crack Sealing

At the time of crack filling the ambient temperature shall be a minimum of 5° C and rising. All areas of crack to be sealed shall be inspected by the Engineer prior to placement of the sealant. Crack sealing shall not be performed on alligator cracking or block cracking or cracks wider than 30 mm.

Care is to be taken when filling routed or cleaned cracks. The tip of the wand shall be placed at the bottom of the routed crack or as far into the unrouted crack as possible to ensure uniform application and that no sealant bridges entrapped air pockets. A second application of sealant may be required where excess subsidence occurs. Sealant should be placed so as to fill the route or crack such that both edges of the route or crack are covered.

After placement of the sealant, excess material should be struck off with a strike-off device to leave a flush surface over the crack as shown in Figure 1. The methods of application must be approved by the Engineer in the field prior to commencement of the work.

Where pedestrian or vehicular traffic may cause tracking of the sealant (crosswalks or intersections), the sealed cracks shall be dusted with silica sand or cement powder. Supply and placement of this material shall be a subsidiary obligation of the Contractor and as such there will be no direct payment.

The Contractor shall ensure traffic is not allowed on the newly sealed surface for a period of 1 hour from completion of the crack sealing in order to prevent tracking.

Damage such as embedded stones, excessive debris or moisture in the sealant or obvious contamination shall be rejected. The defective work shall be repaired, removed, replaced or remedied at the Contractor's cost.

All debris from the cleaning and routing operation shall be swept or blown from the surface of the roadway into the gutter for removal by City Forces. All refuse such as wrappings, containers or any other debris resulting from this operation shall be gathered and removed from the site on a daily basis by the Contractor.

The sealed cracks shall be guaranteed for a period of two years from the date of completion of the sealing operation. If, during the warranty period, the sealant pops out or there is obvious evidence of water or material ingress through the crack, the sealant shall be removed, the crack cleaned and resealed.

4.4 Concrete Roadway and Sidewalk Joint Sealing

Only the deep tooled longitudinal joint located at the top of the rolled curb section of the sidewalk is intended to be sealed. Weeds shall be removed from this joint prior to sealing by handpicking or by use of such tools as a rotary edger. The joint shall then be thoroughly cleaned of debris and remaining organic material by hydro blasting or sand blasting. Any other cleaning method requires the Engineer's approval.

The concrete faces on either side of the joint shall be dried with compressed air prior to sealing with hot rubberized sealant. Prior to leaving the worksite, the Contractor shall sweep up from both the sidewalk and the gutter all loose debris left as a result of cleaning and shall properly dispose of this debris off-site.

The Contractor shall fill these longitudinal joints with rubberized sealant to a minimum depth of 20 mm measured from the top of the concrete surface. To ensure proper shape factor and to mitigate waste of the sealant product the Contractor shall employ one of the following methods:

- i) Insert heat resistant backer rod in the prepared joint. The depth of the backer rod will be set to accommodate the minimum required depth of Hot Rubberized Sealant.
- ii) Fill the void at the bottom of the prepared joint with fine dry sand. The depth of the sand filler will be set to accommodate the minimum required depth of Hot Rubberized Sealant. After the sand filler has been placed, the exposed sides of the joint between the top of the sand and the top of the concrete shall be wire brushed clean of any sand particles.
- iii) If the Contractor deems the width of the prepared joint to be sufficiently narrow, he may apply full depth sealant. There will be no additional payment for the extra Sealant used.

Transverse joints at 1.5 metre typical spacing extend from back of sidewalk to lip of gutter. The Contractor shall place temporary filler in the transverse joints on both sides of the longitudinal joint. The purpose of this temporary filler is to prevent spillage of hot sealant from the longitudinal joint. This temporary filler shall match the colour of the hot sealant if it is to be left in place to disintegrate over time or shall be removed after the sealant has set up, with the method of removal such that no holes are left in the sealant afterwards. The Contractor's temporary filler method must be approved by the Engineer prior to the start of the sidewalk crack sealing.

Any spillage of sealant on the surface of the concrete sidewalk or curb shall be cleaned up immediately by the Contractor.

For aesthetic reasons, the completed longitudinal joint shall be lightly dusted with a fine sand, talcum powder, or cementitious powder at those locations, such as driveway crossings, where there is a risk of traffic driving over newly completed joints.

04000-5 MEASUREMENT AND PAYMENT

Measurement and payment for rubberized asphalt crack sealing will be on a lineal metre basis and shall be full compensation for the supply of all labour, equipment and material required to rout and clean cracks, supply and apply sealant, supply and place blotting sand where required, provide proper traffic accommodation and clean up all cuttings, debris, and blotting sand before leaving the site.

END OF SPECIFICATION 04000

INDEX

	<u>Page</u>
04005-1 GENERAL	2
04005-2 MATERIALS	3
04005-3 EXECUTION	4
04005-4 TESTING	14
04005-5 MEASUREMENT	15

04005-1 **GENERAL**

1.1 **Description**

These Specifications apply to the manufacture of asphalt binders to be used for the construction of asphalt pavements and ancillary work. The types and grades of asphalt to which this Specification will apply shall be those indicated under execution.

1.2 **Definitions**

1.2.1 Bitumen - A class of black or dark coloured (solid, semisolid, or viscous) cementitious substance, natural or manufactured, composed principally of high molecular weight hydrocarbons, of which asphalts, tars, pitches, and asphaltites are typical.

1.2.2 Asphalt - A dark brown to black cementitious material in which the predominating constituents are bitumens which occur in nature or are obtained in petroleum processing.

1.2.3 Asphalt Cement - A fluxed or unfluxed asphalt specifically prepared as to quality and consistency for direct use in the manufacture of bituminous pavements, and having a penetration at 25°C (77°F) of between 5 and 300, under a load of 100 g applied for 5 seconds.

1.2.4 Cut-Back Products - Petroleum or tar residuums which have been blended with distillates. Also referred to as liquid asphalts.

1.2.5 Bituminous Emulsion

- (a) a suspension of minute globules of bituminous material in water or in an aqueous solution.
- (b) a suspension of minute globules of water or of an aqueous solution in a liquid bituminous material.

1.2.6 Performance Graded Asphalt Binders

Asphalt binder grade designation used in Superpave. It is based on the binder's mechanical performance at critical temperatures and aging conditions.

1.2.7 Polymer Modified Asphalt

Conventional asphalt cement to which one or more polymer compounds have been added to improve resistance to deformation at high pavement temperatures and often cracking resistance at low temperatures.

04005-2 MATERIALS

All asphalt binders shall be prepared from petroleum oils. They shall be free from water and other impurities and shall not foam when heated to 175°C. Solvents used in the manufacture of cut-back asphalts shall be derived from petroleum oils. Emulsifiers used to stabilize asphalt emulsions shall not be harmful to the performance of the asphalt in service.

04005-3 **EXECUTION**

3.1 **General**

The refining process shall be selected by the supplier provided that the resulting product conforms to all applicable requirements of this Specification when tested in accordance with methods shown.

3.2.1 **Asphalt Cements - Neat**

All grades of this type of asphalt shall conform to requirements listed in Table 1, Table 2 and Figure 1, and shall be homogenous and uniform in character throughout.

3.2.2 **Asphalt Cements – Modified**

The polymer modified asphalt cement shall be performance graded as determined by the current edition of AASHTO M320. Polymer modified asphalt cement shall meet or exceed the performance grade PG64-37, unless otherwise specified.

ASPHALT CEMENT GRADE		150- 200(A)	200- 300(A)	300- 400(A)	400- 500(A)	200- 300(B)	300- 400(B)
Requirements	ASTM Test Method						
Visc.@60°C,Pa.s	S2171	(1)	(1)	(1)	(1)	(1)	(1)
Penetration @ 25°C,100g 5s	D5	(1)	(1)	(1)	(1)	(1)	(1)
Ductility @15°C, 5cm/ min, minimum cm	D113	-	100	100	-	100	-
Ductility @25°C(3)	D113	100	-	-	-	-	-
Flashpoint (COC),°C	D92	205	175	175	175	175	175
Solubility in Trichloroethylene min %	D2042	99.5	99.5	99.5	99.5	99.5	99.5
Thin Film Oven Test Weight Loss, Maximum %	D1754	1.0	1.5	2.0	2.5	1.5	2.0
Penetration at 25°C of minimum % or original	D5	50	45	-	-	45	-
Viscosity @60°C of residue Maximum % of original	D2171	-	-	300	400	-	300

Note (1) Viscosity @60°C and Penetration @25°C shall fall within the area described in Figure 1.

TABLE 1

Grade of Asphalt Cement	150-200A			200-300A			300-400A			400-500A			200-300B			300-400B		
	Point	Abs Visc	Pen	Point	Abs Visc	Pen	Point	Abs Visc	Pen	Point	Abs Visc	Pen	Point	Abs Visc	Pen	Point	Abs Visc	Pen
Viscosity & Penetration Shall be within graphic regions described by the lettered coordinates	A	155	150	C	50	200	E	45	300	H	27	400	C	50	200	F	26.5	300
	B	78	150	D	92	200	F	26.5	300	G	17	400	J	30	200	K	17.5	300
	C	50	200	E	45	300	G	17	400	M	12.5	500	K	17.5	300	L	12	400
	D	92	200	F	26.5	300	H	27	400	I	19	500	F	26.5	300	G	17	400

TABLE 2

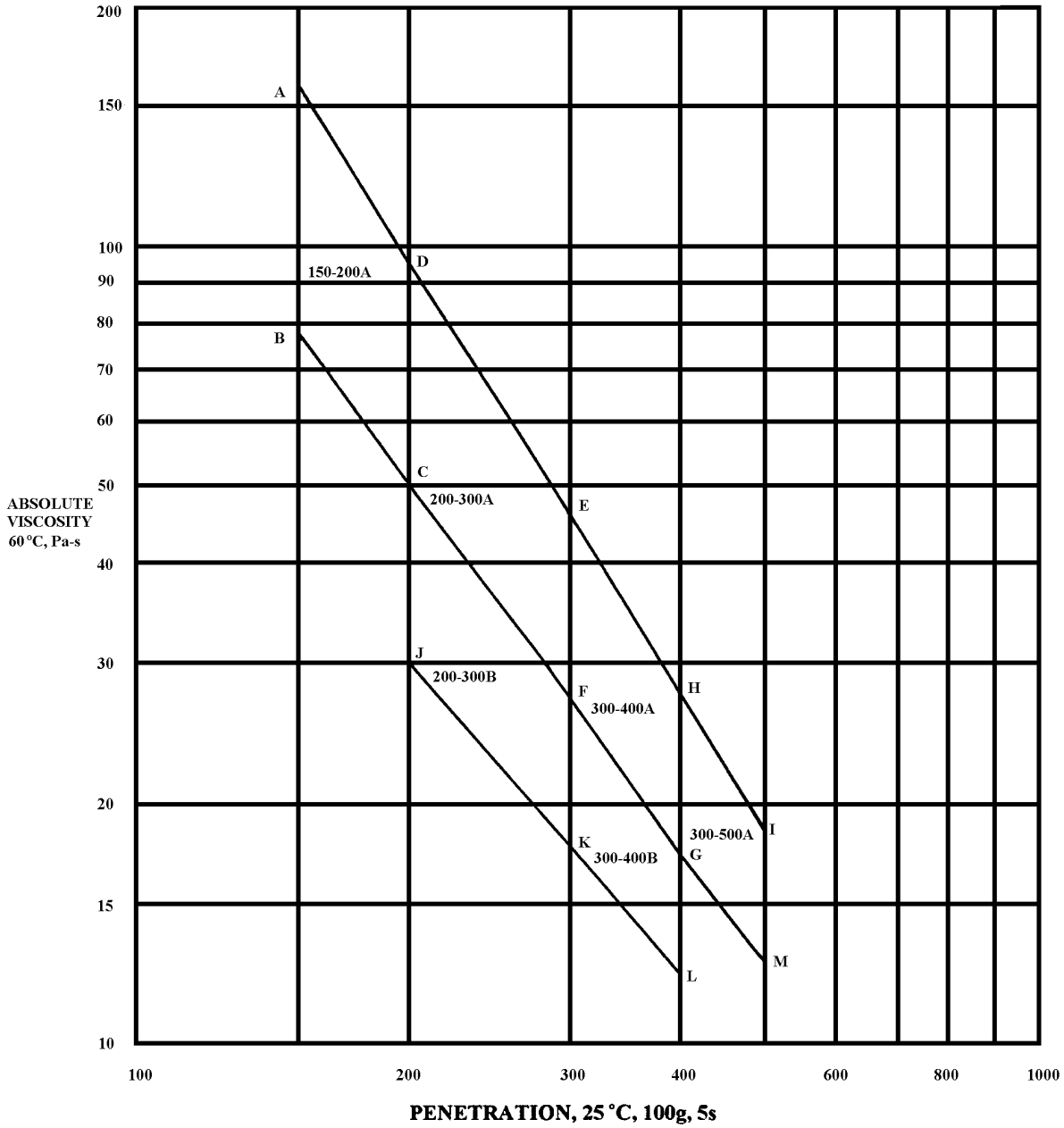


FIGURE 1

3.3 Slow Curing Liquid Asphalt Binder

All grades of this type of asphalt shall conform to the requirements listed in Table 3 and shall be homogenous and uniform in character throughout.

Asphalt Grade Requirements	ASTM Test Method	SC-70		SC-250		SC-800		SC-3000	
		Min	Max	Min	Max	Min	Max	Min	Max
Flash Point (C.O.C), °C	D92	65	-	80	-	90	-	105	-
Kinematic Viscosity at 60°C mm ² /s	D2170	70	140	250	500	800	1600	3000	6000
Distillation Test Total Distillate to 360°C % by Volume	D402	10	30	4	20	2	12	-	5
Distillation Residue Kinematic Viscosity at 60°C mm ² /s	D2170	400	7000	800	10000	2000	16000	4000	35000
Asphalt Residue of 100% Penetration % by mass	D243	50	-	60	-	70	-	80	-
Ductility of 100 Penetration Residue at 25°C cm	D113*	100	-	100	-	100	-	100	-
Solubility of Distillation Residue to 360°C cm % by Mass	D2042**	99.0	-	99.0	-	99.0	-	99.0	-
Water, % by Mass or Volume	D95	-	0.5	-	0.5	-	0.5	-	0.5

* If the ductility at 25°C is less than 100, the material will be acceptable if its ductility at 15°C is more than 100.

** Using trichloroethylene as solvent or use of ignition burn furnace.

TABLE 3

3.4 Medium Curing Liquid Asphalt Binder

All grades of this type of asphalt shall conform to the requirements listed in Table 4 and shall be homogenous and uniform in character throughout.

Asphalt Grade Requirements	ASTM Test Method	MC-30		MC-70		MC-250		MC-800		MC-3000	
		Min	Max	Min	Max	Min	Max	Min	Max	Min	Max
Flash Point (Open Tag), °C	D92	38	-	38	-	65	-	65	-	65	-
Kinematic Viscosity at 60°C mm ² /s	D2170	30	60	70	140	250	500	800	1600	3000	6000
Distillation Test % of total distillate to 360°C	D402										
- 225°C		-	25	-	20	-	10	-	-	-	-
- 260°C		40	70	20	60	15	55	-	35	-	15
- 315°C	75	93	65	90	60	87	45	80	15	75	
Residue from Distillation to 360°C Volume % by difference		50	-	55	-	67	-	75	-	80	-
Tests on Residue from Distillation											
a) Penetration at 25°C 100g 5s 0.1mm	D5	120	250	120	250	120	250	120	250	120	250
b) Ductility at 25°C cm*	D113	100	-	100	-	100	-	100	-	100	-
c) Solubility % by Mass	D2042**	99.0	-	99.0	-	99.0	-	99.0	-	99.0	-
Water, % by Mass or Volume	D95	-	0.2		0.2	-	0.2	-	0.2	-	0.2

* If the ductility at 25°C is less than 100, the material will be acceptable if its ductility at 15°C is more than 100.

** Using trichloroethylene as solvent or use of ignition burn furnace.

TABLE 4

3.5 Anionic Emulsified Binder

All grades of this type of asphalt shall conform to the requirements listed in Table 5 and shall be homogenous and uniform in character throughout.

Grade Requirements	ASTM Test Method	Rapid Setting				Medium Setting				Slow Setting					
		RS-1		RS-2		MS-1		MS-2		SS-1		SS-1C		SS-1H	
		Min	Max	Min	Max	Min	Max	Min	Max	Min	Max	Min	Max	Min	Max
Tests on Emulsion															
Saybolt Viscosity Furol Seconds at 25°C	D244	20	100	-	-	20	60	-	-	20	60	20	100	20	60
50°C	D244	-	-	50	300	-	-	35	400	-	-	-	-	-	-
Residue by Distillation, %	D244	55	-	60	-	55	-	59	-	55	-	55	-	55	-
Storage Stability 24 hr, %	D244	-	1	-	1	-	1	-	1	-	1	-	1	-	1
Sieve Test, % retained on a 1000 µm Sieve, % by weight	D244	-	0.1	-	0.1	-	0.1	-	0.1	-	0.1	-	0.1	-	0.1
Demulsibility 35 mL of 0.02 NCaCl ₂ , %	D244	-	-	-	-	-	-	-	-	-	-	-	-	-	-
Demulsibility 50 mL of 0.01 NCaCl ₂ , %	D244	-	-	-	-	-	-	-	-	-	-	-	-	-	-
Coating Test	D244	-	-	-	-	No appreciable separation uniform coating of the stone									
Cement Mixing Test, %	D244	-	-	-	-	-	-	-	-	-	2.00	-	-	-	2.00
Dilution Test	Note (1)	-	-	-	-	-	-	-	-	-	-	Must Pass		-	-
Particle Charge	Note (2)	Negative													
Test on Residue															
Penetration at 25°C, 100g, 5s	D244	100	200	100	200	100	200	100	200	100	200	150	275	40	100
Ductility at 25°C, cm	D244	60	-	60	-	60	-	60	-	60	-	60	-	60	-
Solubility in Trichloroethylene, %	D2042	97.5	-	97.5	-	97.5	-	97.5	-	97.5	-	97.5	-	97.5	-

Note (1) Method for Dilution Test

- Mix together 50 g SS-1C emulsified asphalt and 450 g soft or demineralized water until homogenous.
- Pour into 500 mL graduated cylinder.
- After 2 hours observe cylinder to determine if a line of separation of asphalt from water has appeared. If separation is apparent in 2 hours, emulsion is not acceptable.
- After 24 hours, if asphalt has visually separated from water, re-mix contents of cylinder. Material is acceptable if homogenous liquid is re-established.

Note (2) N.S.C. CAN 2-16.2, par.6.2.1.

TABLE 5

3.6 Cationic Emulsified Asphalt Binder

All grades of this type of asphalt shall conform to the requirements in Table 6 and shall be uniform in character throughout.

Grade		RS-1K		RS-2K	
REQUIREMENTS	ASTM Test Method	Min	Max	Min	Max
Saybolt Viscosity, Furol seconds at 50°C		35	150	150	400
Residue by distillation, %	D244	62	(1)	67	(1)
Settlement in 5 days, %		-	5	-	5
Oil portion of distillate, %		-	3	-	3
Sieve test, % retained on 1000 µm sieve, by weight	D2397 -71	-	0.10	-	0.10
Particle charge	(2)	Positive			
Tests on Residue					
Penetration at 25°C, 100g, 5s	D244	100	250	100	250
Ductility at 25°C, cm	D244	60	-	60	-
Solubility in trichloroethylene, %	D244	97.5	-	97.5	-

Note (1) Upper limit on % residue is governed by the viscosity limits.

Note (2) N.S.C. CAN 2-16.2, par.6.2.1.

TABLE 6

3.7 High Float Emulsified Asphalt Binder

All grades of this type of asphalt shall conform to the requirements listed in Table 7, Table 8 and Figure 2 and shall be homogenous and uniform in character throughout.

Grade		HF-100S		HF-150S		HF-250S		HF-350S		HF-500M		HF-1000M	
Requirements	ASTM Test Method	Min	Max	Min	Max	Min	Max	Min	Max	Min	Max	Min	Max
Tests on Emulsion													
Percent Asphalt Residue by Distillation	(1)	62	-	62	-	62	-	65	-	65	-	65	-
Oil Distillate % by Volume (7)	D244 and (2)	1	4	1	4	1	6	1.5	6	1	6	1	7
Saybolt Viscosity Furol Seconds at 50°C	D244	30	150	30	150	35	150	75	400	50	-	50	-
Sieve Test % Retained on 1000 µm Sieve	D244	-	0.1	-	0.1	-	0.1	-	0.1	-	0.1	-	0.1
Coating Test	D244	(8)		(8)		(8)		(9)		(9)		(9)	
Settlement, 1 day %	D244	-	1.5	-	1.5	-	1.5	1.5	-	-	1.5	-	1.5
Demulsibility 50 mL 0.1 N CaCl ₂ , %	D244	60	-	60	-	-	-	-	-	-	-	-	-
Workability @ -10°C	(3)	-	-	-	-	-	-	-	-	-	-	Pass	-
Tests on Residue													
Penetration at 25°C 100g, 5s	(4)	(10)		(10)		(10)		(10)		-	-	-	-
Viscosity at 60°C, Pa-s	(5)	(10)		(10)		(10)		(10)		8	20	2	8
Float Test at 60°C, s	(6)	1200	-	1200	-	1200	-	1200	-	1200	-	1200	-
Solubility in Trichloroethylene, %	D2042	97.5	-	97.5	-	97.5	-	97.5	-	97.5	-	97.5	-

See following for Note (1) to (10) inclusive.

TABLE 7

Notes for Table 7 as follows:

- | | |
|-----------|--|
| Note (1) | CAN 2-16.5 par.6.2.1 |
| Note (2) | CAN 2-16.5 par.6.2.1.3 |
| Note (3) | CAN 2-16.5 par.6.2.3 |
| Note (4) | CAN 2-16.5 par.6.2.4 |
| Note (5) | CAN 2-16.5 par.6.2.5 |
| Note (6) | CAN 2-16.5 par.6.25 |
| Note (7) | Percent Oil in the emulsified asphalt is more accurately determined using ASTM Test Method D-2461, Section 6. |
| Note (8) | Coating Test: ASTM Method D-244 except that the mixture of limestone and emulsified asphalt shall be capable of being mixed vigorously for 5 minutes, at the end of which period the stone shall be thoroughly and uniformly coated. The mixture shall then be completely immersed in tap water and the water poured off. The stone shall not be less than 90% coated. |
| Note (9) | Coating Test: ASTM Method D-244 except that the mixture of limestone and emulsified asphalt shall be mixed vigorously for 5 minutes, then allowed to stand for 3 hours, after which the mixture shall be capable of being mixed an additional 5 minutes. The mixture shall then be rinsed twice with approximately its own volume of tap water without showing appreciable loss of bituminous film. After the second coating the aggregate shall be at least 90 percent coated. Note (1) viscosity at 60°C and penetration at 25°C shall fall within the area described in Figure 2. |
| Note (10) | Viscosity at 60°C and penetration at 25°C shall fall within the area described in Figure 2. |

Viscosity shall be within the graphic regions above the line designated by specified letters, and between penetration limits contained in vertical lines extending upwards from those points.

Viscosity value shall be reported as 0.5 s^{-1} for grades HF-100S and HF-150S and at 1.0 s^{-1} for grades HF-250S and HF-350S.

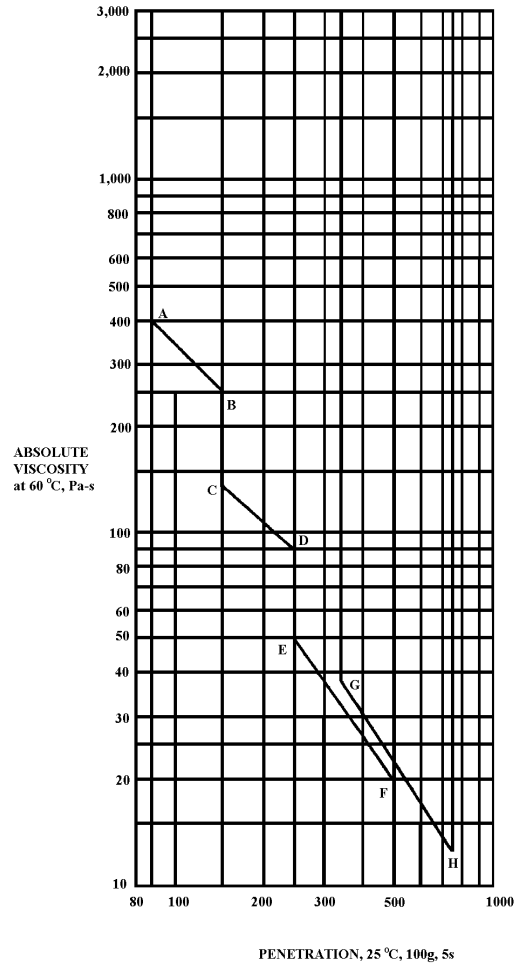


FIGURE 2

Grade of HF Emulsified Asphalt	HF-100S	HF-150S	HF-250S	HF-350S
	A,B	C,D	E,F	G,H

TABLE 8

04005-4 TESTING

The supplier shall, prior to initial delivery, undertake standard control tests and provide test results to prove compliance with the requirements for the desired type and grade of bituminous binder stated in the Specification (04005-3 Execution).

On subsequent deliveries the suppliers shall provide the following test data:

Material	Frequency	Test Required
Asphalt Cement - Neat	Every 300 tonnes Every 150 tonnes	- Viscosity at 60°C, Pas. - Penetration at 25°C, 100g, 5 sec.
Asphalt Cement - Modified	Every 500 tonnes	- AASHTO M320
Liquid Asphalt	Every 100 tonnes	- All standard control tests
Emulsions	Every 100 tonnes	- All standard control tests

If requested by the City, the supplier shall supply a representative 5 litre sample of the desired type and grade of bituminous binder prior to delivery of any order. The City shall also have the right to obtain samples of not more than 5 litres from each shipment during the course of delivery of any order.

All tests conducted by the City shall be in accordance with the procedures and methods of the American Society for Testing and Materials (ASTM) except where the Canadian Government Specification Board (C.G.S.B.) and the National Standard Council (N.S.C.) of Canada is indicated.

The Contractor, at their sole discretion, will secure samples of polymer modified asphalt cement from each 40-80 tonne shipment. These samples will be stored for a minimum period of six months and the contractor may test as many samples as they wish at their cost. The City will only accept test data from a certified testing

lab. If it is discovered that a particular load of asphalt cement does not meet the PG grade the City will pay for the cost of the test and waive the mix adjustments that occur as a result of the lower grade of polymer modified asphalt cement.

04005-5 **MEASUREMENT**

All asphalt binders will be measured in litres corrected to 15°C, or tonnes.

END OF SPECIFICATION 04005

INDEX

	<u>Page</u>
04010-1 GENERAL	3
1.1 Description	3
1.2 Related Work	3
1.3 Definitions	3
04010-2 MATERIALS	4
2.1 Specific Requirements	4
2.1.1 Asphalt Cement	4
2.1.2 Asphalt Mix Aggregate	4
2.1.3 Asphalt Concrete Mix	6
2.1.4 Tolerances	10
2.2 Compliance with Specifications	11
2.2.1 General	11
2.2.2 Quality Control	11
2.2.2.1 Process Control and Charting	17
2.2.2.2 Alternate Charting	18
2.2.2.3 Plant Shutdown	19
2.2.3 Quality Assurance	20
2.3 Certification	23
2.3.1 General	23
2.3.2 Asphalt Cement	25
2.3.3 Aggregates	25
2.3.4 Reclaimed Materials	25
2.3.5 Asphalt Concrete Mix	26
2.3.6 Asphalt Plant Trial Mix	27

04010-3	EQUIPMENT	27
04010-4	EXECUTION	27
	4.1 Aggregates	27
	4.2 Asphalt Plant Operation	29
04010-5	TESTING	29

04010-1 GENERAL

1.1 Description

This section specifies requirements for labour, machinery, plant, equipment and materials required to produce hot mix asphalt concrete.

1.2 Related Work

Specification: Section 04005 Bituminous Binder.

1.3 Definitions

1.3.1 Asphalt Cement - The bituminous material that is used to bind the asphalt mix aggregate.

1.3.2 Asphalt Aggregate - The individual crushed and processed aggregate fractions before combining to produce the asphalt mix aggregate.

1.3.3 Asphalt Mix Aggregate - The mix after combining the asphalt aggregate fractions including filler or blending sand to produce the specified mix gradation.

1.3.4 Asphalt Mix - The mix produced by combining asphalt cement with the asphalt mix aggregate.

- 1.3.5 Reclaimed Asphalt Pavement (RAP) – Asphalt millings or processed asphalt pavement removals, handled and characterized for RAP to be incorporated into asphalt mix.
- 1.3.6 Top Lift – The asphalt concrete wearing course.
- 1.3.7 Bottom Lift – All asphalt concrete courses below the Top lift.

04010-2 MATERIALS

2.1 Specific Requirements

2.1.1 **Asphalt Cement** 150/200 A and polymer modified asphalt cement to the requirements of Section 04005 Bituminous Binder.

2.1.2 **Asphalt Mix Aggregate**

- .1 Asphalt mix aggregate, retained on the 5.0 mm plus sieves, shall be composed of fragments of durable rock and shall not contain more than 2% by weight of deleterious materials such as shale, ironstone, and coal. The maximum permissible organic content of the material passing the 5.0 mm sieve is 1.0%.
- .2 Physical properties for aggregate shall meet the following requirements:

Requirement	Test Designation	Asphalt mix type		
		A2, A9 & T9	1, 2 & M2	M1 & 3
Sand Equivalence	ASTM D2419	45 min.	45 min.	45 min.
Los Angeles Abrasion (% loss)	ASTM C131	30 max.	35 max.	35 max.
Organic Content (% Passing 5.0 mm)		1.0 max.	1.0 max.	1.0 max.
Crush Count (1) (% Retained 5.0 mm Sieve)		80 min. 2 faces	70 min. 1 face	70 min. 1 face
Manufactured Fines (2) (% Passing 5.0 mm Sieve)		70 min.	-	-

Notes:

1. Crush Count is the percentage of the crushed aggregate retained on the 5.0 mm plus sieves having either 1 or more fractured faces or 2 or more fractured faces, created by the crushing operation.
2. Manufactured fines are the percentage by mass of crusher run manufactured sand passing the 5mm sieve. For mixes incorporating RAP, 50% of the RAP passing the 5.0 mm sieve shall be considered manufactured sand.
3. Asphalt mix aggregate shall meet the gradation requirements stated in Table 1 Gradation for Asphalt Mix Aggregate, when tested to ASTM designations C-136 and C-117.

TABLE 1: GRADATION FOR ASPHALT MIX AGGREGATE

Sieve Designation	Asphalt mix type							
	A2	1	M1	2	M2	3	9 & A9	4
20.0 mm	100	100	-	-	-	-	-	-
16.0 mm	98-100	98-100	100	-	-	-	-	-
12.5 mm	82-89	82-89	83-94	100	100	100	100	-
9.0 mm	67-78	69-80	69-87	76-89	78-89	80-89	98-100	-
5.0 mm	49-59	49-59	50-75	50-60	52-62	59-69	85-95	100
2.0 mm	32-54	29-48	29-48	30-48	30-48	36-56	49-59	45-65
900 µm	22-42	18-38	24-41	19-38	19-38	24-41	32-42	22-44
400 µm	12-24	10-26	11-29	10-26	10-26	11-29	15-26	12-28
160 µm	3-10	3-10	3-12	3-10	3-10	3-12	6-15	6-15
71 µm	2-5	2-5	2-6	2-5	2-5	2-6	3-7	4-10

Percent Passing by Weight

2.1.3 Asphalt Concrete Mix

- .1 Asphalt mix shall consist of a homogeneous mixture of asphalt mix aggregate, RAP, and asphalt cement mixed in a central plant.
- .2 Marshall Mix designs are to be completed in accordance with the latest edition of the Asphalt Institute Manual Series No. 2 (MS-2), ASTM D1559 and ASSHTO T-245 unless otherwise modified by City of Saskatoon requirements.

The Contractor shall provide the Project Engineer a Job Mix Formal (JMF) for each type of hot mix to be supplied. The Contractor will only supply hot mix for which the Project Engineer has approved the JMF.

The JMF is developed through a multi stage process based on the Contractor's quality control testing of aggregate fractions, laboratory preparation of a mix design, and the setting of the JMF after evaluating the mix properties of the different plant trials.

The Contractor shall arrange for a laboratory to evaluate the proposed aggregate fractions to be used in the hot mix so a theoretical blend of the asphalt mix aggregate can be determined. Using the theoretical blend of the asphalt mix aggregate the laboratory prepare briquettes at various asphalt contents (minimum three briquettes prepared at five different asphalt contents) to determine design curves for the mix.

The design curves are analyzed to determine the "design asphalt content" that will provide mix properties meeting specifications. The Contractor shall submit the proposed mix design and supporting test documentation to the Engineer for review, and upon approval shall undertake plant trials.

The aggregate gradation for the plant trials shall be within ± 2 percent of the mix design target gradation for material above the 2 mm sieve and within ± 1.5 percent for material on or below the 2 mm sieve. The plant will produce runs of HMA at the design asphalt content, one plant run at both 3 tenths above and below the proposed design asphalt content.

From these plant trial production runs the Contractor will set the JMF. The JMF and supporting test results from the plants trials are to be submitted to the Engineer for approval.

- .3 Anti stripping agent, if required, shall be added to achieve a stripping potential of less than five percent (5%) as determined

by the Saskatchewan Ministry of Highways and Infrastructure Stripping Potential Test. The Contractor shall provide test results identifying the type and amount of anti-stripping agent required to meet this requirement. The contractor shall provide the brand name and technical literature of the product to be used. The cost of the anti-stripping agent, if required shall be included in the unit prices under the contract.

- 4 Physical properties for the mix shall meet the following requirements at the design asphalt content and gradation:

Property	Notes	Asphalt mix type					
		A2	A2	A2	A2	2	1 & 2
Asphalt Grade		PG76-28	PG70-28	PG64-37	150/200A	PG64-37	150/200A
Marshall (blows per face)		75	75	75	75	50	50
Marshall Stability (KN) at 60°C min	(1)	16	15	14	11	11	8
Retained Stability (%) (minimum)		75	75	75	75	75	75
Marshall Flow Index (mm)	(1)	2-5	2-5	2-5	2-4	2-5	2-4
Air Voids in Mixture	(2)	3.5-5.5	3.5-5.5	3.5-5.5	3.5-5.5	3-5	3-5
Voids filled with Asphalt (%)	(2)	67-75	67-75	67-75	67-75	70-80	70-80
Min. Film Thickness (µm)	(3)	7.5	7.5	7.5	7.5	8.0	8.0

Property	Notes	Asphalt mix type				
		M1	M2	3 & 4	A9	9
Asphalt Grade		150/200A	150/200A	150/200A	PG64-37	150/200A
Marshall (blows per face)		50	50	50	75	50
Marshall Stability (KN) at 60°C min	(1)	7	8	6	11	8
Retained Stability (%) (minimum)		75	75	75	75	75
Marshall Flow Index (mm)	(1)	2-4	2-4	2-4	2-5	2-4
Air Voids in Mixture	(2)	2-4	2-4	2-4	3-5	3-5
Voids filled with Asphalt (%)	(2)	75-85	75-85	75-85	75-85	75-85
Min. Film Thickness (µm)	(3)	8.5	8.5	8.5	8.0	8.0

- Notes:
1. Marshall Stability and Flow Index shall be determined according to ASTM Designation D1559 with the exception that briquettes shall be fan cooled as per Note 5 of D1559. A mechanical compactor, calibrated by a certified hand hammer, shall be used to prepare briquettes.
 2. The percentage of air voids and percentage of voids filled with asphalt shall be determined in accordance with ASTM D3203 with ASTM C127 and C128.
 3. The minimum asphalt content by dry mass of aggregate, inclusive of the virgin asphalt cement and the asphalt cement contributed by the RAP, are as follows:
 - 5.0% for A2 mixes
 - 5.3% for Type 1 and Type 2 mixes
 - 5.7% for M1, M2 and Type 3 mixes
 - 6.5% for Type 9 and Type 4 mixes
 - 6.3% for Type A9 mix
 4. Maximum allowable binder contribution from RAP for top and bottom lifts are as follows:
 - Top lifts with PMA: 10%
 - Top lifts without PMA: 15%
 - All bottom lifts: 20%

The methodology used to determine the percent allowable RAP is as follows:

$$\% \text{Allowable RAP} = \frac{(\% \text{Binder Contribution})(\% \text{AC}_{\text{mix}})}{(\% \text{AC}_{\text{Rap}})}$$

Where:

- % Binder Contribution = selected to a maximum value specified above in Note 4,
 - %AC_{mix}= target asphalt content of the selected mix type (% mass by total mix),
 - %AC_{Rap}= asphalt content of the RAP, as determined by laboratory testing (% mass by total mix), and
 - % Allowable RAP = the maximum RAP addition rate (% mass of total mix).
5. Temperature: Mix temperature at point of plant discharge shall not vary from that specified in the job mix formula by more than 10°C.
6. Moisture in mix: Maximum permissible moisture at point of plant discharge is 0.2 % by weight of mix.

2.1.4 Tolerances

1. All asphalt mix shall be supplied to the approved job mix formula within the range of tolerances specified. Where tolerances are not specified, the values stated under this section shall be considered absolute, minimums, maximums or allowable ranges. Unless otherwise stated specification limits are based on single tests and include sampling, testing, and process variance.

2. Tolerances stated in this section shall apply to all asphalt concrete mix types unless otherwise specified.
3. The job mix formula, as originally established, shall remain in effect until modified in writing. Should a change of aggregate(s) be made, or when unsatisfactory results or other conditions make it necessary, the Contractor shall submit a new mix design for approval.

2.2 Compliance With Specifications

2.2.1 General

For contract administration and enforcement, testing for quality control of the mix to determine compliance with specification during production (process control), and quality assurance to determine acceptance and payment adjustments to material supplied and placed will be carried out by the City. This is not intended to relieve the contractor of the responsibility of maintaining their own quality control testing programs for the mix, or preventing them from initiating shutdown of production for material that will be out of specification as determined from their own testing program.

2.2.2 Quality Control

After the job mix formula gradation and proportioning of various aggregate sizes have been established and approved, no alteration will be permitted. The working ranges outlined in Tables 1, 2, 3 and 4 will be used to assess compliance with specification.

The Contractor shall cease operations when:

1. two consecutive three point moving average points for any property or characteristic fall in the borderline zone or,
2. two or more tests in four consecutive tests are in the borderline zone or,
3. any individual test for any property or characteristic fall in the plant shutdown zone.

When the asphalt falls in the shutdown zone, the Contractor shall assume the responsibility of ceasing operations on his own even in the absence of City personnel on site. When asphalt meets the four consecutive or two three point moving average criteria for shutdown, shutdown will be initiated at the instruction of the Engineer. Production shall not commence again until two consecutive tests are within specification limits or it has been demonstrated to the satisfaction of the Engineer that corrective action has been taken.

The aforementioned procedure shall not prevent the City from rejecting specific batches or production runs of asphalt concrete mix that from visual inspection or associated testing do not meet the requirements of this Section.

TABLE 1
 MAXIMUM PERMISSIBLE VARIATION* **TYPE A2**

PROPERTY OR CHARACTERISTIC	ACCEPTABLE ZONE	BORDERLINE ZONE	PLANT SHUTDOWN ZONE	ASPHALT TYPE
ASPHALT CEMENT (%)	(+/-) 0.2	(+/-) 0.3 TO 0.4	> (+/-) 0.4	All A2 Types
AIR VOIDS (%)				
LOWER LIMIT	3.5	3.0 TO 3.4	< 3.0	All A2 Types
UPPER LIMIT	5.5	5.6 TO 6.0	> 6.0	
MARSHALL STABILITY (KN)	(>=) 11.0	10.5 TO 10.9	< 10.5	A2 w/ 150/200A
	(>=) 14.0	13.5 TO 13.9	< 13.5	A2 w/ PG 64-37
	(>=) 15.0	14.5 TO 14.9	< 14.5	A2 w/ PG 70-28
	(>=) 16.0	15.0 TO 15.9	< 15.0	A2 w/ PG 76-28
FLOW INDEX (mm)				
LOWER LIMIT	2.0	1.5 TO 1.9	< 1.5	All A2 Types
UPPER LIMIT	4.0	4.1 TO 4.2	> 4.2	A2 w/ 150/200A
UPPER LIMIT	5.0	5.1 TO 5.3	> 5.3	A2 w/ Polymer
FILM THICKNESS (µm)				
LOWER LIMIT	7.5	7.0 TO 7.4	< 7.0	All A2 Types
UPPER LIMIT	9.5	9.6 TO 10.0	> 10.0	
GRADATION	MAXIMUM PERMISSIBLE VARIATION % BY WEIGHT PASSING			
20.0 mm				
16.0 mm	(+/-) 1.0	(+/-) 1.1 TO 2.0	> (+/-) 2.0	All A2 Types
12.5 mm	(+/-) 3.0	(+/-) 3.1 TO 5.0	> (+/-) 5.0	
9.0 mm	(+/-) 4.0	(+/-) 4.1 TO 6.5	> (+/-) 6.5	
5.0 mm	(+/-) 4.0	(+/-) 4.1 TO 6.5	> (+/-) 6.5	
2.0 mm	(+/-) 4.0	(+/-) 4.1 TO 6.0	> (+/-) 6.0	
900 µm	(+/-) 3.0	(+/-) 3.1 TO 4.5	> (+/-) 4.5	
400 µm	(+/-) 3.0	(+/-) 3.1 TO 4.5	> (+/-) 4.5	
160 µm	(+/-) 2.0	(+/-) 2.1 TO 3.0	> (+/-) 3.0	
71 µm	(+/-) 1.5	(+/-) 1.6 TO 2.0	> (+/-) 2.0	

NOTE: THE % ASPHALT CEMENT AND GRADATION ARE LISTED AS VARIATION FROM THE JOB MIX FORMULA RATHER THAN AN UPPER OR LOWER LIMIT.

*Adjustments can occur in the acceptable zone for mix designs that are at minimum levels.

TABLE 2
 MAXIMUM PERMISSIBLE VARIATION* **TYPES 1, 2, T1 & T2**

PROPERTY OR CHARACTERISTIC	ACCEPTABLE ZONE	BORDERLINE ZONE	PLANT SHUTDOWN ZONE	ASPHALT TYPE
ASPHALT CEMENT (%)	(+/-) 0.2	(+/-) 0.3 TO 0.4	> (+/-) 0.4	All Types 1 & 2
AIR VOIDS (%)				
LOWER LIMIT	3.0	2.5 TO 2.9	< 2.5	All Types 1 & 2
UPPER LIMIT	5.0	5.1 TO 5.5	> 5.5	
MARSHALL STABILITY (KN)	(>=) 8.0 (>=) 11.0	7.0 TO 7.9 10 TO 10.9	< 7.0 <10.0	T1 & T2 T2 w/ PG 64-37
FLOW INDEX (mm)				
LOWER LIMIT	2.0	1.5 TO 1.9	< 1.5	All Types 1 & 2
UPPER LIMIT	4.0	4.1 TO 4.2	> 4.2	T1 & T2
UPPER LIMIT	5.0	5.1 TO 5.3	> 5.3	T2 w/ PG 64-37
FILM THICKNESS (µm)				
LOWER LIMIT	8.0	7.5 TO 7.9	< 7.5	All Types 1 & 2
UPPER LIMIT	10.0	10.1 TO 10.5	> 10.5	
GRADATION	MAXIMUM PERMISSIBLE VARIATION % BY WEIGHT PASSING			
20.0 mm				
16.0 mm	(+/-) 1.0	(+/-) 1.1 TO 2.0	> (+/-) 2.0	Type 1 only
12.5 mm	(+/-) 3.0	(+/-) 3.1 TO 5.0	> (+/-) 5.0	All Types 1 & 2
9.0 mm	(+/-) 4.0	(+/-) 4.1 TO 6.5	> (+/-) 6.5	
5.0 mm	(+/-) 4.0	(+/-) 4.1 TO 6.5	> (+/-) 6.5	
2.0 mm	(+/-) 4.0	(+/-) 4.1 TO 6.0	> (+/-) 6.0	
900 µm	(+/-) 3.0	(+/-) 3.1 TO 4.5	> (+/-) 4.5	
400 µm	(+/-) 3.0	(+/-) 3.1 TO 4.5	> (+/-) 4.5	
160 µm	(+/-) 2.0	(+/-) 2.1 TO 3.0	> (+/-) 3.0	
71 µm	(+/-) 1.5	(+/-) 1.6 TO 2.0	> (+/-) 2.0	

NOTE: THE % ASPHALT CEMENT AND GRADATION ARE LISTED AS VARIATION FROM THE JOB MIX FORMULA RATHER THAN AN UPPER OR LOWER LIMIT

*Adjustments can occur in the acceptable zone for mix designs that are at minimum levels.

TABLE 3
 MAXIMUM PERMISSIBLE VARIATION* **TYPES 3, M1 & M2**

PROPERTY OR CHARACTERISTIC	ACCEPTABLE ZONE	BORDERLINE ZONE	PLANT SHUTDOWN ZONE	ASPHALT TYPE
ASPHALT CEMENT (%)	(+/-) 0.2	(+/-) 0.3 TO 0.4	> (+/-) 0.4	Types 3, M1, M2
AIR VOIDS (%)				
LOWER LIMIT	2.0	1.5 TO 1.9	< 1.5	Types 3, M1, M2
UPPER LIMIT	4.0	4.1 TO 4.5	> 4.5	
MARSHALL STABILITY (KN)				
Type 3	(>=) 6.0	5.0 TO 5.9	< 5.0	
Type M1	(>=) 7.0	6.0 TO 6.9	< 6.0	
Type M2	(>=) 8.0	7.0 TO 7.9	< 7.0	
FLOW INDEX (mm)				
LOWER LIMIT	2.0	1.5 TO 1.9	< 1.5	Types 3, M1, M2
UPPER LIMIT	4.0	4.1 TO 4.2	> 4.2	
FILM THICKNESS (µm)				
LOWER LIMIT	8.5	8.0 TO 8.4	< 8.0	Types 3, M1, M2
UPPER LIMIT	10.5	10.6 TO 11.5	> 11.5	
GRADATION	MAXIMUM PERMISSIBLE VARIATION % BY WEIGHT PASSING			
20.0 mm				
16.0 mm	(+/-) 1.0	(+/-) 1.1 TO 2.0	> (+/-) 2.0	Type M1
12.5 mm	(+/-) 2.0	(+/-) 2.1 TO 3.0	> (+/-) 3.0	Types 3, M1, M2
9.0 mm	(+/-) 3.0	(+/-) 3.1 TO 5.0	> (+/-) 5.0	
5.0 mm	(+/-) 4.0	(+/-) 4.1 TO 6.5	> (+/-) 6.5	
2.0 mm	(+/-) 4.0	(+/-) 4.1 TO 6.0	> (+/-) 6.0	
900 µm	(+/-) 3.0	(+/-) 3.1 TO 4.5	> (+/-) 4.5	
400 µm	(+/-) 3.0	(+/-) 3.1 TO 4.5	> (+/-) 4.5	
160 µm	(+/-) 2.0	(+/-) 2.1 TO 3.0	> (+/-) 3.0	
71 µm	(+/-) 1.5	(+/-) 1.6 TO 2.0	> (+/-) 2.0	

NOTE: THE % ASPHALT CEMENT AND GRADATION ARE LISTED AS VARIATION FROM THE JOB MIX FORMULA RATHER THAN AN UPPER OR LOWER LIMIT.

*Adjustments can occur in the acceptable zone for mix designs that are at minimum levels.

TABLE 4
 MAXIMUM PERMISSIBLE VARIATION* **TYPES 9 & A9**

PROPERTY OR CHARACTERISTIC	ACCEPTABLE ZONE	BORDERLINE ZONE	PLANT SHUTDOWN ZONE	ASPHALT TYPE
ASPHALT CEMENT (%)	(+/-) 0.2	(+/-) 0.3 TO 0.4	> (+/-) 0.4	All Type 9 & A9
AIR VOIDS (%)				
LOWER LIMIT	3.0	2.5 TO 2.9	< 2.5	All Type 9 & A9
UPPER LIMIT	5.0	5.1 TO 5.5	>5.5	
MARSHALL STABILITY (KN)	(>/=) 8.0 (>/=) 11.0	7.0 TO 7.9 10.0 TO 10.9	< 7.0 < 10.0	Type 9 Type A9
FLOW INDEX (mm)				
LOWER LIMIT	2.0	1.5 TO 1.9	< 1.5	All Type 9 & A9
UPPER LIMIT	4.0	4.1 TO 4.2	> 4.2	Type 9
UPPER LIMIT	5.0	5.1 TO 5.3	> 5.3	Type A9
FILM THICKNESS (µm)				
LOWER LIMIT	8.0	7.5 TO 7.9	< 7.5	All Type 9 & A9
UPPER LIMIT	10.0	10.1 TO 10.5	> 10.5	
GRADATION	MAXIMUM PERMISSIBLE VARIATION % BY WEIGHT PASSING			
20.0 mm				
16.0 mm				
12.5 mm				
9.0 mm	(+/-) 1.0	(+/-) 1.1 TO 2.0	> (+/-) 2.0	All Type 9 & A9
5.0 mm	(+/-) 3.0	(+/-) 3.1 TO 4.5	> (+/-) 4.5	
2.0 mm	(+/-) 3.0	(+/-) 3.1 TO 4.5	> (+/-) 4.5	
900 µm	(+/-) 3.0	(+/-) 3.1 TO 4.5	> (+/-) 4.5	
400 µm	(+/-) 3.0	(+/-) 3.1 TO 4.5	> (+/-) 4.5	
160 µm	(+/-) 2.0	(+/-) 2.1 TO 3.0	> (+/-) 3.0	
71 µm	(+/-) 1.5	(+/-) 1.6 TO 2.0	> (+/-) 2.0	

NOTE: THE % ASPHALT CEMENT AND GRADATION ARE LISTED AS VARIATION FROM THE JOB MIX FORMULA RATHER THAN AN UPPER OR LOWER LIMIT.

*Adjustments can occur in the acceptable zone for mix designs that are at minimum levels.

2.2.2.1 Process Control and Charting

The Contractor shall maintain the following charts:

- A) IBar control charts for Process Control
- B) Moving average charts for Specification Compliance

These charts shall be maintained for the following parameters:

- 1) Mix parameters:
 - Asphalt Cement Content
 - Air Voids
 - Marshall Stability
 - All sieve designations
- 2) Aggregate during crushing and production:
 - All sieve designations for each aggregate fraction processed into separate stockpiles

A current copy (continuously updated to the most recent test results to next page specification compliance) of the Asphalt Control charts for mix parameters shall be kept at the asphalt plant control centre and be made available for inspection at the engineer's request.

Process Control Charting

Charting shall consist of the following:

- A) IBar Control Chart complete with:
 - Upper and Lower Warning Limits: 95% confidence limit (± 2 sigma)

- Upper and Lower Control Limits (CUL/LL): 99% confidence limit (± 3 sigma)
- Centreline
- All limits re-calculated following data shifts or N=10, N=20, N=30as appropriate chart maintenance.
- All lines are to be labelled with their numerical values.

Note: Upper and Lower warning and control limits and the centreline are statistically calculated from individual tests, given our current sampling methodology.

Specification Compliance

- B) Moving Average Chart complete with:
- Line showing specification warning Zone
 - Line showing specification shutdown zone
 - Centreline
 - Numerical values entered on all lines

2.2.2.2 *Alternate Charting*

The contractor can make an alternate charting proposal complete with the following:

- Charted parameters
- Testing method summary
- Minimum one month correlation to Marshall Properties

The Engineer can then decide to substitute the alternate charting in place of one, or all of the contracted requirements with the following stipulations:

If the Contractor fails to maintain a weekly update of his chart, he will revert back to all contract defaults.

2.2.2.3 *Plant Shutdown*

The Contractor shall terminate asphalt production when:

- 1) The asphalt does not comply with the specifications as outlined in Division 4, Section 04010-2.2.2 Quality Control, and/or,
- 2) The Contractor's process is out of control based on the IBar control chart. The process shall be defined as out of control if it meets one or more of the following criteria:
 - i) Test result is on or outside the upper or lower control limit.
 - ii) There are seven consecutive points above or below the centreline.
 - iii) Upward or downward trend.
 - iv) An obvious repetitive or cyclical pattern.
 - v) The average of any seven consecutive tests runs at 0.3, or less, above the lower specification limit.

2.2.3 Quality Assurance

1. Payment adjustment factors will be used to adjust the contract unit price for material not complying with specification limits. All adjustment factors will be determined on the basis of individual test results. The quantity of material represented by a single test will not exceed 300 tonnes.

For Example: Asphalt mix production of 800 tonnes will require an individual test for the first 300 tonnes, one test for the second 300 tonnes, and one test for the remaining 200 tonnes. Tests will be taken at random within each representative sample section.

2. Reduced payment for more than one deficiency on any one test sample will be based on the reduced payment, and not the original price.
3. Adjustment to the unit bid price for non-compliance equals the unit bid price times the payment adjustment factor.
4. Air Voids Payment Adjustment Factors (by individual sample tests) are presented in Table 4.

Air voids shall be determined from bulk samples or cores taken from the roadway. Where cores are used to determine air voids, field air voids shall be corrected to 100% Marshall using the following formula (Field Air voids) - $(100 - \text{Field density as percentage of Marshall})$.

For Example: Field air voids is 5.4%, density is 98% of Marshall Density, Corrected air voids is $5.4\% - (100 - 98) = 3.4\%$

This calculation for correcting the air voids to 100% of Marshall Density will be used where the field density is less than 100% of

Marshall Density and shall be used for the purpose of payment adjustment. Where field density is greater than 100% of Marshall Density, the air voids determined from the cores will be used for the purpose of payment adjustment.

5. Marshall Stability Payment Adjustment Factors (by individual sample test):

Adjustment Factor (%)	TYPE A2				TYPE 2	
	PG 76-28	PG 70-28	PG 64-37	150/200A	PG 64-37	150/200A
100	>15.6	>14.7	>13.7	> 10.7	> 10.7	>7.9
98	15.5-15.6	14.6-14.7	13.6-13.7	10.6-10.7	10.6-10.7	7.8 - 7.9
95	15.2-15.4	14.3-14.5	13.3-13.5	10.3-10.5	10.3-10.5	7.6 - 7.7
90	14.9-15.1	14.0-14.2	13.0-13.2	10.0-10.2	10.0-10.2	7.3 - 7.5
80	14.6-14.8	13.7-13.9	12.7-12.9	9.8 - 9.9	9.8 - 9.9	7.1 - 7.2
65	14.4-14.5	13.4-13.6	12.4-12.6	9.6 - 9.7	9.6 - 9.7	6.8 - 7.0
50	14.1-14.3	13.1-13.3	12.1-12.3	9.3 - 9.5	9.3 - 9.5	6.5 - 6.9
0*	<14	<13	<12	< 9.3	< 9.3	<6.5

*No Payment or Remove and Replace as directed by City of Saskatoon Engineer

Adjustment Factor (%)	TYPE 1,M2	TYPE M1	TYPE A9	TYPE 9	TYPE 3
	150/200A	150/200A	PG 64-37	150/200A	150/200A
100	>7.9	>6.9	> 10.8	>7.9	>5.9
98	7.8 - 7.9	6.8 - 6.9	10.6 - 10.7	7.8 - 7.9	5.8 - 5.9
95	7.6 - 7.7	6.6 - 6.7	10.3 - 10.5	7.6 - 7.7	5.6 - 5.7
90	7.3 - 7.5	6.3 - 6.5	10.0 - 10.2	7.3 - 7.5	5.3 - 5.5
80	7.0 - 7.2	6.0 - 6.2	9.9 - 9.8	7.1 - 7.2	5.1 - 5.2
65	6.8 - 6.9	5.8 - 5.9	9.6 - 9.7	6.8 - 7.0	4.8 - 5.1
50	6.5 - 6.7	5.5 - 5.7	9.3 - 9.5	6.5 - 6.7	4.5 - 4.7
0*	<6.5	<5.5	<9.3	<6.5	<4.5

*No Payment or Remove and Replace as directed by City of Saskatoon Engineer

6. A payment adjustment factor for asphalt cement content payment will be applied to all mix represented by the test that fails to meet the minimum asphalt cement content as outlined in the Contractor’s approved Job Mix Formula (JMF). The adjustment will be:

Asphalt Content Deviation from JMF value	Type A2	Types 1, 2, 9 & A9	Types M1, M2 & Type 3
+/- 0.1%	1.0	1.0	1.0
+/- 0.2%	1.0	1.0	1.0
+/- 0.3%	0.90	1.0	1.0
+/- 0.4%	0.75	0.90	0.95
+/- 0.5%	0.50	0.70	0.80
+/- 0.6%	Reject	0.50	0.65
+/- 0.7%		Reject	0.50
+/- 0.8%			Reject

Change in asphalt content based on dry mass of aggregate.

“Reject” at the discretion of the Project Engineer shall mean either zero payment, or remove and replace.

2.3 Certification

2.3.1 General

1. Material certification outlines the material testing and mix design test data submission requirements that the Contractor is responsible to carry out as part of the production of asphalt concrete.
2. The Contractor shall retain and pay an independent testing consultant approved by the Engineer to perform all materials certification tests and mix designs.
3. Submission of test data reports shall be made to the Engineer.
4. At least 1 week prior to contemplated changes in source of asphalt cements or aggregates provide written notification to the Engineer and provide new material certification in accordance with requirements of this section.

TABLE 4

AIR VOID PAYMENT ADJUSTMENT FACTORS				
DEVIATION	H.M.A. TYPE			
(NOTE 1)	9	A2 & A9	1, 2 & M2	3 & M1
+1.6				
+1.5	REJECT	REJECT	REJECT	REJECT
+1.4	0.30	0.30	0.30	0.30
+1.3	0.50	0.50	0.50	0.40
+1.2	0.60	0.60	0.60	0.50
+1.1	0.65	0.65	0.68	0.55
+1.0	0.75	0.75	0.75	0.60
+0.9	0.80	0.80	0.80	0.68
+0.8	0.85	0.85	0.85	0.77
+0.7	0.90	0.90	0.90	0.84
+0.6	0.93	0.93	0.93	0.89
+0.5	0.95	0.95	0.96	0.94
+0.4	0.98	0.98	0.98	0.98
+0.3	1.00	1.00	1.00	1.00
+0.2	1.00	1.00	1.00	1.00
+0.1	1.00	1.00	1.00	1.00
0.0	1.00	1.00	1.00	1.00
-0.1	1.00	1.00	1.00	1.00
-0.2	1.00	1.00	1.00	1.00
-0.3	1.00	1.00	1.00	1.00
-0.4	0.95	0.95	0.95	0.95
-0.5	0.90	0.90	0.90	0.925
-0.6	0.85	0.85	0.85	0.90
-0.7	0.65	0.65	0.65	0.85
-0.8	0.50	0.50	0.50	0.80
-0.9	REJECT	0.25	0.25	0.75
-1.0		REJECT	REJECT	0.65
-1.1				0.50
-1.2				REJECT
-1.3				

NOTE 1: DEVIATION IN % AIR VOIDS AT 100% MARSHALL FROM MIX SPECIFICATIONS.

2.3.2 Asphalt Cement

1. Submit test data reports for the asphalt cement for the said properties and frequency in accordance with Section 04005 Bituminous Binder during the course of asphalt concrete production and with the submission of the asphalt mix design.
2. Submit temperature viscosity charts for the asphalt cement over a temperature range of 105°C to 175°C.

2.3.3 Aggregates

1. Submit one complete sieve analysis report (including crush count) for every 750 tonnes for each aggregate fraction processed into separate stockpiles or one complete analysis per material for each production day when production rate is less than 750 tonnes. For Type 9, one complete sieve report is required for every 300 tonnes of aggregate processed.
2. Submit test data reports that the physical properties of the aggregate meet the requirements of this section.

2.3.4 Reclaimed Materials

1. Submit all aggregate gradation, asphalt content and fracture quality control information for RAP use in Asphalt Mix.
2. Submit all binder rheology quality control information as per Section 04020 “Reclaimed Asphalt Pavement”.

2.3.5 Asphalt Concrete Mix

1. Submit job mix formula and corresponding plant trial results to the Engineer for review and approval at least 1 week prior to the first production day.
2. Submit new mix designs at least 1 week prior to contemplated changes in source of asphalt cement or aggregate.
3. The following data shall be included in the mix design submission:
 - a) Aggregate gradation for each aggregate fraction processed and stockpiled separately and their blend proportions.
 - b) Mix design submissions containing RAP shall include the RAP source name(s) and stockpile designation, all RAP asphalt content and gradation test results, the bulk specific gravity of the RAP aggregate, the percentage by weight of RAP to be used in the mixture, and all RAP rheological test results.
 - c) Mix design submissions containing RAP shall include the percent asphalt cement contribution of the RAP.
 - d) Aggregate bulk specific gravity and bitumen absorption.
 - e) Air voids as determined by ASTM designation D3203 and ASTM C127 and C128.
 - f) Maximum theoretical density of trial mixes.
 - g) Marshall characteristics and design curves.
 - h) Stripping potential without agents and, stripping potential with agents if the requirements for stripping under this section cannot be met without an agent.
 - i) Film thickness.
 - j) Retained stability.

- k) Asphalt cement properties including mixing and compaction temperatures based on temperature viscosity properties of the asphalt cement.

2.3.6 Asphalt Plant Trial Mix

1. The Engineer or City Representative shall witness the plant trial mix and laboratory works prior to beginning the paving portion of the contract. The Engineer or City Representative shall be notified at least three working days in advance of when the plant trial mix is to be done.

04010-3 EQUIPMENT

All tools, machinery, plant and equipment used in handling materials and executing any part of the work shall be subject to the approval of the Engineer. All such equipment shall be maintained in efficient working order and where any of the machinery plant or equipment is found to be unsatisfactory; it shall be improved or replaced by the Contractor to the satisfaction of the Engineer.

04010-4 EXECUTION

4.1 Aggregates

- 4.1.1 Deliver and stockpile aggregates in accordance with the requirements of this section.

- 4.1.2 Segregate aggregate stockpiles by each aggregate fraction processed using substantial dividers or stockpile far enough apart to prevent intermixing.
- 4.1.3 Stockpile minimum of 50% of total aggregate fractions contracted before commencing trial mix designs. This quantity shall include aggregate stockpiled at both the processing site and asphalt plant site.
- 4.1.4 Stockpile at the plant site during production at least 15% of the total contracted amount for each size fraction processed.
- 4.1.5 When hauling into stockpiles after plant mixing has commenced do not deposit material against working face of stockpile.
- 4.1.6 Construct stockpiles in uniform lifts avoiding segregation by spillage of materials over the ends of previously placed lifts. Do not use stationary conveyors in stockpile construction.
- 4.1.7 Provide a previously stabilized stockpile base not less than 300 mm in depth to prevent contamination.
- 4.1.8 Aggregates from intermixed or contaminated stockpiles will be rejected and must be removed or disposed of as directed by the Engineer within 24 hours of rejection.

4.2 Asphalt Plant Operation

- 4.2.1 The asphalt plant and auxiliary equipment shall be such as to combine, dry and heat the asphalt mix aggregate, heat the asphalt cement and accurately proportion the asphalt cement and asphalt mix at a centrally located plant to the requirements of this section.
- 4.2.2 When combining aggregates during asphalt concrete mix production at no time shall two processed aggregate fractions share the same mechanical cold feed bin.
- 4.2.3 The asphalt plant shall meet the requirement of ASTM designation D995 for Bituminous Mixing Plant requirements.
- 4.2.4 The maximum planned storage time for Types 1, M1, 2, M2, 3, 4, 9 and A9 HMA shall be no more than 24 hours.
- 4.2.5 The maximum planned silo storage time for Type A2 and any polymer modified mixes shall be no more than 8 hours.

04010-5 TESTING

The City of Saskatoon shall appoint an independent testing consultant to perform all tests for quality control of the mix to determine compliance with specification during production (process control), and quality assurance to determine acceptance and payment adjustments to material supplied and placed.

Sampling for quality assurance will be done using a random sampling procedure as identified by the Engineer. Where there is continuous production uninterrupted by plant shutdown due to quality control only the predetermined random sampling frequency will be used to determine payment adjustments to the unit bid price.

The quality assurance random sampling will also be the basis for quality control for generating control charts and determining plant shutdown. In addition to the quality assurance sampling the Engineer may also initiate supplementary tests independent of the quality assurance random sampling procedure to supplement the quality control tests for determining process control. These additional tests will not be used for payment adjustment factors unless it results in plant shutdown prior to the sampling for quality assurance in that specific lot of material. The supplementary test in this case will then be used for payment adjustment on that portion of the untested lot. If the supplementary test results in termination of production the contractor will be required to pay for the test.

The Contractor shall retain and pay an independent testing consultant to perform all materials certification tests and mix designs required in this section.

END OF SPECIFICATION 04010

INDEX

04015-1	GENERAL.....	2
04015-2	MATERIALS.....	3
04015-3	EQUIPMENT.....	7
04015-4	EXECUTION.....	9
04015-5	TESTING.....	12
04015-6	MEASUREMENT.....	13
04015-7	PAYMENT.....	14

- 1.3.3 Asphalt Mix Aggregate - The mix after combining the asphalt aggregate fractions including filler or blending sand to produce the specified mix gradation.
- 1.3.4 Asphalt Mix - The mix produced by combining the asphalt cement with the asphalt mix aggregate.
- 1.3.5 Asphalt Concrete - The asphalt mix, placed and compacted on the roadway.
- 1.3.6 Reclaimed Asphalt Pavement (RAP) - Asphalt millings or processed asphalt removals, handled and characterized for RAP to be incorporated into asphalt mix.

04015-2 MATERIALS

2.1 Specific Requirements

2.1.1 Asphalt Cement

150-200A and Polymer modified to the requirements of Section 04005 for Bituminous Binder.

2.1.2 Asphalt Mix

To the requirements of Section 04010 Asphalt Mix.

2.2 Compliance With Specifications

2.2.1 Payment adjustment factors will be used to adjust the contract unit price for materials not complying with the tolerances and values in this section or related specifications.

2.2.2 Reduced payment for more than one deficiency on any one test sample will be based on the reduced payment, and not the original.

2.2.3 Adjustment to the unit bid price for non compliance equals the unit price times the payment adjustment factor(s).

2.2.4 Density

Unless otherwise specified, asphalt mix Types 1, M1, 2, M2, 3 and 4 shall meet density requirements to 97% of Marshall. The density payment adjustment factors are as follows:

Compacted Density
% of Marshall

Payment

> 96.9%	100%
96.6 to 96.9	98%
96.0 to 96.5	95%
95.0 to 95.9	90%
94.0 to 94.9	80%
93.0 to 93.9	65%
91.0 to 92.9	50%
less than 91%	Replace Pavement - no payment for work removed

Unless otherwise specified, asphalt mix Types A1 and A2 shall meet density requirements to 98% of Marshall. The density payment adjustment factors are as follows:

Compacted Density
% of Marshall

Payment

>97.9%	100%
97.6 to 97.9	98%
97.0 to 97.5	96%
96.6 to 96.9	93%
96.0 to 96.5	90%
95.0 to 95.9	80%
94.0 to 94.9	65%
92.0 to 93.9	50%
Less than 92%	Replace pavement - no payment for work removed

Unless otherwise specified, asphalt mix Type 9 and Type A9 shall meet density requirements to 95% of Marshall. The density payment adjustment factors are as follows:

<u>Compacted Density</u> <u>% of Marshall</u>	<u>Payment</u>
>94.9	100%
93.6 to 94.9	98%
92.6 to 93.5	90%
91.7 to 92.5	75%
91.1 to 91.6	50%
Under 91.1%	Replace pavement - no payment for work removed

2.2.5 Thickness

<u>Variation in Thickness</u> <u>From Design Thickness</u>	<u>Payment</u>
“T” mm thick to 5 mm thin	100%
>5 mm thin to 15 mm thin	X ² (100)%
>15 mm thin	No payment

“T” – the over thickness limit, which is the greater of:

- (Design Thickness) x 10%; or
- 5mm

$$X = \left(\frac{\text{actual thickness}}{\text{design thickness}} \right)$$

Where more than one lift of asphalt is placed, the thickness tolerances will apply to the total asphalt layer and not to the thickness of each lift.

When asphalt concrete is measured in square meters, excess thickness will be accepted with no claim for extra payment. When asphalt concrete is measured in tonnes, asphalt concrete in excess of over thickness limit “T” will be paid at 35% of tendered unit price for that item.

2.2.6 Applying Thickness Adjustment

On a single layer HMA paving project the core taken for determining in-situ air voids and density shall be used for calculating the thickness and any adjustment factor and will be applied to that individual test lot.

On a multi layer HMA paving project the core taken after the final lift of paving for determining the in-situ air voids and density shall be used for calculating the thickness payment adjustment factor, though may not exceed the 300 tonne test lot size (combine all lifts) unless otherwise specified. Additional cores may be taken for determination of thickness not represented by the original core. These additional cores may not exceed the 300 tonne test lot size unless otherwise specified, and will be used for determining the asphalt thickness adjustment factor only. The average cost of the hot mix asphalt structure shall be determined after all the individual test lots have been adjusted for air voids, stability, binder and density. The payment adjustment for thickness will be applied to this average cost of the hot mix asphalt mat and corresponding test lot size.

2.2.7 Stripping Potential

Random testing of bulk samples will be tested for stripping potential. The Engineer shall apply a penalty of 10% (90% payment) for stripping potential that does not meet the requirements of Section 04010-2.1.3.3 unless otherwise indicated in the Specific Conditions. The quantity of material representing each test shall not exceed 300 tonnes.

04015-3 EQUIPMENT

3.1 General

All tools, machinery, plant and equipment used in handling materials and executing any part of the work, shall be subject to the approval of the Engineer. All such equipment shall be maintained in efficient working order and where any of the machinery, plant or equipment is found to be unsatisfactory, it shall be improved or replaced by the Contractor to the satisfaction of the Engineer.

3.2 Asphalt Plant

To requirements stated in Specifications Section 04010 Asphalt Mix.

3.3 Scale

The Contractor shall supply a suitable scale of approved design. Before any weighing of material, the Contractor shall provide to the Engineer a Certificate from the Department of Trade and Commerce to the effect that the scale has been certified.

3.4 Haul Trucks

The asphalt mix shall be transported in trucks from the asphalt plant to the paving machine in vehicles with tight metal boxes.

The inside surface of all vehicles used for hauling asphalt mix shall be sprayed with diesel fuel or soap solution prior to loading, but excess lubrication will not be permitted. The use of gasoline, kerosine or similar products will not be permitted.

Haul trucks shall be of sufficient size, speed, condition and number to ensure orderly and continuous operation and be compatible with the size and capacity of the paving machine.

Haul trucks shall have covers of sufficient size to protect the asphalt mix from weather conditions and prevent a crust from forming on the asphalt mix.

3.5 Paving Machine

The paving machine shall be a self-propelled spreader capable of spreading the asphalt mix true to line, grade and crown as required.

The paving machine shall be equipped with a hopper and distributing screw of the reversing type to place the asphalt mix evenly in front of adjusting vibrating screeds.

The paving machine shall be equipped with automatic screed controls for controlling longitudinal and transverse slope and joint matching, as recommended or supplied by the manufacturer of the paving machine.

3.6 **Rollers**

Provide sufficient number of rollers of type and weight to obtain the specified density of compacted asphalt concrete.

Steel and pneumatic tire rollers used for compaction shall be kept slightly moistened by water. Steel rollers shall be equipped with scrapers. Pneumatic roller shall be equipped with coco mats. Excessive use of water will not be permitted.

3.6.1 Asphalt Release Agent

The contractor shall add asphalt release agent on the equipment water system to protect from asphalt pickup by pneumatic tire rollers during compaction. The contractor shall determine the amount and supplied dosage required to prevent from asphalt pickup. The contractor will submit the product name and technical specifications of the asphalt release agent, that must conform to AASTHO TP102.

3.7 **Hand Tools**

Lutes or rakes with covered teeth shall be provided during the spreading and finishing operations.

Tamping irons or mechanical compaction equipment shall be provided for compacting material along curbs and gutters and other structures not accessible to rollers.

04015-4 **EXECUTION**

4.1 **Spreading**

The asphalt mix shall be spread with a paving machine where at all possible.

The asphalt mix shall be laid on recently cured, primed, granular base or tacked asphalt concrete. The compacted base shall be free from all loose material and have a uniform, planar surface prior to applying the prime coat.

Asphalt mix shall only be spread when ground temperature is a minimum of 2°C.

Asphalt mix shall be spread on surfaces that are dry. Asphalt mix shall not be spread on surfaces that have pools of standing water or generally damp.

The minimum temperature of the asphalt mix in the paving machine shall not be less than 120° C.

If required, the contact edges of the mat shall be coated with a thin layer of liquid asphalt before the asphalt mix is placed against them.

Contact faces of curbs, gutters, manholes, and sidewalks shall be coated with liquid asphalt before placing the asphalt mix.

The surface of the mat behind the paving machine shall not be torn and shall be smooth, true to cross section, and uniform in density and texture.

Any open, course or segregated areas must have Type 4 asphalt spread and compacted over the affected area during the paving of the road. Type 4 asphalt fines must be used to construct an acceptable mat where course segregated areas exist, and when matching existing asphalt.

If segregation is repetitive, the spreading operation shall be ceased, the cause determined and corrective action taken.

The finished surface shall have a minimum of longitudinal and transverse joints. Where the asphalt mix is placed in two layers, the longitudinal joints shall be staggered by a minimum of 150 mm. Transverse joints shall be staggered a minimum of 3 m when the asphalt is placed in two lifts.

Longitudinal joints shall not be placed under proposed wheel paths.

Where a lift thickness of 80 mm or less is specified, it shall be placed in one lift, if all other specifications are met. Lift thickness greater than 80 mm shall be placed in two or more lifts. Asphalt lifts shall never be placed at a thickness of less than two times the maximum aggregate size for Types 9 and A9 and three times the maximum aggregate size for all other asphalt types except Type 4 which has no restriction.

Surplus asphalt mix shall not be spread over the freshly screed surface. The length of individual paving mats after each day shall be limited, such that the width of road can be covered with any given lift resulting in all transverse joints being kept within 100 m of each other.

4.2 **Compacting**

Rolling shall start as soon as the pavement will bear the weight of the roller without checking, cracking or undue displacement.

Each lift of asphalt shall be compacted to the density specified in this Section using the Marshall method specified under Section 04010 Asphalt Mix.

The finished surface of the mat shall be well-knit and free from waves, hairline cracks, roller marks, and other unevenness. The finished surface shall be free from depressions exceeding 5 mm as measured in any direction with a 3 m straight edge.

The rollers shall not be left stationary on the fresh asphalt until it has cooled down to ambient temperature as not to leave any obvious dips or marks which would allow water to pond.

The asphalt concrete surface shall be within 5 mm of design elevation but not uniformly high or low. At the lip of gutter the asphalt concrete surface shall be 5 to 10 mm above the lip of gutter.

All areas not accessible by the roller shall be compacted by hand tampers.

Care shall be used to ensure adequate compaction along the face of concrete curb or gutter without damaging the finished concrete. Damaged concrete work shall be replaced by the Contractor.

4.3 Corrective Action

If the finished surface of the mat does not comply with the aforementioned requirements, the Contractor shall either repair, remove and replace or recap the deficient section(s) at his own expense subject to approval by the Engineer. The replacement of the mat and/or placement of a recap shall be performed with a paving machine and shall comply with the specified riding quality requirements.

04015-5 TESTING

The Contractor shall provide access for core testing by others.

A core test representing a maximum of 300 tonnes of asphalt mix shall be used to determine payment adjustments. Results which do not meet specification may be averaged with results from 2 additional core tests. Additional cores for determining air voids and density will be taken within 2 meters of the original core location.

Additional cores for determining asphalt thickness will be taken within 5 meters of the original core location. Additional core tests must not be located in a wheel path. The Contractor shall notify the Project Engineer of their intent to do re-cores and shall not proceed without the Project Engineers' approval.

All additional cores must be **requested** within one week of the original core test results being communicated to the Contractor by the Engineer. The costs of this additional testing shall be the responsibility of the Contractor. Patching of core test holes with asphalt concrete shall be a subsidiary obligation of the contract and as such, shall not be paid for directly. Bulk samples shall also be taken to determine compliance with mix requirements.

This coring and bulk sampling will not necessarily be carried out on a regular basis, therefore, any testing and subsequent penalties will only represent the quantities placed in those areas tested.

04015-6 MEASUREMENT

Asphalt concrete will be measured in tonnes or square metres as specified.

The weight of each vehicle shall be determined at the beginning of the work with the fuel tank half full, spare tire in place and the driver in the cab. This weight, called the vehicle weight will be checked and/or amended at the discretion of the Engineer.

The Engineer may place a representative at the Contractor's scales and at the delivery site if the need arises.

Payment for asphalt concrete will be reduced for work which fails to meet specified tolerances. Air voids of the asphalt mix will be measured from test cores or bulk samples.

04015-7 PAYMENT

Payment for asphalt concrete in place will be at the contract unit price per tonne or square metre, adjusted as per the specified adjustment factor for density, air voids, stripping potential, thickness, stability and asphalt content.. The unit price will be full compensation for removing overburden, excavating, crushing, screening, stockpiling, and drying the aggregate; supplying, heating and storing the asphalt cement; mixing, loading, hauling, dumping, spreading, compacting, and finishing the asphalt mix. The unit price will also be full compensation for supplying and adding filler or blender sand at the central mixing plant.

END OF SPECIFICATION 04015

INDEX

	<u>Page</u>
04020-1 GENERAL	2
04020-2 DEFINITIONS	2
04020-3 MATERIALS	3
3.1 RAP	3
3.2 RAP Sources	3
3.3 RAP Sampling and Testing	4
3.4 Quality Control	5
3.5 RAP Stockpiling	6
3.6 Stockpile Management	7
3.7 RAP Quality Management Documentation	7
04020-4 ASPHALT MIX DESIGN	7

04020-1 GENERAL

This section covers the best practice for the use of Reclaimed Asphalt Pavement (RAP) material in asphalt mix production and construction. A best practice is a method or technique that when followed results in an end product superior to those achieved with other means and that is used as a benchmark process. A "best" practice may evolve to become better as improvements are discovered.

Best practice is the process of developing and following a standard way of doing things that are commonly achieved in the industry. The Contractor's development and processing of RAP into an end paving product must meet City of Saskatoon Specifications 04005, 04010 and 04015.

04020-2 DEFINITIONS

Reclaimed Asphalt Pavement (RAP)

Cold milling material and/or removed and reprocessed pavement materials containing asphalt and aggregates. These materials are generated when asphalt pavements are removed for reconstruction and/or resurfacing. When cold milled and/or properly screened and crushed, the RAP consists of high quality aggregate coated by asphalt cement.

RAP Binder

The asphalt binder that is present in the reclaimed asphalt pavement.

Rheology

Is the study of deformation and flow of matter. For asphalt binder rheology, it refers to the flow characteristics of the asphalt binder. Deformation and flow of the asphalt binder in asphalt mix is important in asphalt pavement performance.

04020-3 MATERIALS

3.1 RAP

The Contractor shall fulfil or exceed the requirements of this Best Practice for the management of RAP materials from the time of collection through processing, mix design and quality control practices during the production of asphalt mixtures containing RAP. The Contractor shall provide documentation to the City of Saskatoon Representative that best practices have been followed in the handling, characterization, and storage of RAP material, prior to being allowed the use of RAP.

3.2 RAP Sources

Cold Milling – This is the most common process to provide of RAP. The milling process should be closely examined to make sure that the milled material is not contaminated with soil, base materials, paving geotextiles or other foreign material (sulphur, asbestos, rubber, etc.). The milled material that becomes contaminated should be stockpiled separately from RAP to be used in asphalt mix.

Full Depth Pavement Removal – RAP can also be obtained from the removal of the existing pavement using a bulldozer or a backhoe. This process typically results in large chunks of pavement that may be contaminated with underlying soils. This contaminated material should be stored in a separate stockpile and not to be used in the hot mix asphalt. Uncontaminated materials should be processed using a combination of crushing and screening to provide an acceptable RAP material.

RAP Processing – Best practice for RAP processing involves one or more steps to create consistent materials. Screening is used to separate sizes. In some cases, it may be desirable to screen or fractionate RAP to coarse and fine fractions. RAP separation based on sizes increases quality and reduces variability in the RAP properties.

For stockpiles of RAP from multiple sources, particularly stockpiles containing oversize fragments of RAP or pavement slabs, the material should be processed to produce RAP with a maximum size of 25 mm for use in hot mix asphalt.

3.3 RAP Sampling and Testing

Best practice for sampling aggregates applies to the sampling of RAP as well. RAP stockpiles should be sampled as they are being built at the location where they will be fed into the asphalt plant. Sampling at the time the stockpile is built is the best practice and will be easier and more representative of the stockpile compared to samples taken later after the formation of the crust on the face of the RAP stockpile.

Proper sampling procedures normally used for virgin aggregates should also be used to sample RAP aggregates as included in “AASHTO T2: Sampling of Aggregates”, Standard Specifications for Transportation Materials and Methods of Sampling and Testing, 30th Edition.

Basic Tests

The following basic properties shall be determined for the proposed RAP:

- Moisture Content (ASTM C 566);
- Asphalt Content (ASTM D 2172);
- Gradation (ASTM C 136);
- Percent Fracture; and

- Specific Gravity of coarse and fine fractions (ASTM C 127 & C 128, for mix design purposes).

Individual representative RAP samples shall be tested to determine moisture content, gradation, percent fracture and asphalt content.

Tests to determine the specific gravity of the coarse and fine fractions of RAP shall be completed on the combined aggregates (obtained by combining the individual reclaimed aggregates retained after the extraction of the asphalt cement).

Asphalt Binder Rheology Testing

For RAP binder rheology testing, the extracted RAP binder is tested for penetration and viscosity. Rheology is measured in terms of penetration at 25°C and viscosity at 60°C (ASTM D 5 & D 4402).

3.4 Quality Control

The Quality Control testing requirements for RAP shall be based on the requirements and minimum test frequency guidelines listed in Table A.

Table A: Guidelines for Minimum Quality Control Test Frequencies	
Test	Minimum Frequency
Asphalt Content	One per 500 tonne
Gradation	One per 500 tonne
Percent Fracture (%)	One per 500 tonne
Specific Gravity of coarse fraction of RAP	Minimum of one per 3000 tonne or three per stockpile
Specific Gravity of fine fraction of RAP	Minimum of one per 3000 tonne or three per stockpile
AC Rheology	Minimum of one per 10,000 tonne or one per stockpile

All RAP aggregates retained after extraction should be combined together into one sample. The combined sample should then be sieved and split into coarse and fine fractions and used to determine the specific gravity of the recycled aggregates.

3.5 RAP Stockpiling

Best practice for RAP stockpiles is to keep them free from contaminants. RAP stockpiles should be treated as a valuable material. Truck drivers bringing the material on the site should ensure that unwanted debris or contaminated material does not end up in the RAP stockpile.

The best practice to minimize the accumulation of moisture in stockpiles is to cover the stockpile with a shelter, tarp or building to prevent precipitation from getting to the RAP.

RAP stockpiles should be placed on a base with adequate drainage and constructed with minimal segregation. Arc-shaped, conical, uniform stockpiles are preferred for storing processed or unprocessed RAP.

The plant Quality Control personnel and the loader operators should continuously monitor processed and unprocessed RAP stockpiles to make sure that they do not contain deleterious materials. If any contaminants are found, they should be removed immediately so that they are not covered up with other RAP brought on to the yard.

Use of heavy equipment on top of the RAP stockpile should be minimized to avoid compaction of the RAP. It is also recommended that the RAP stockpiles

be limited to 4 m in height to reduce the potential for self-consolidation of the stockpile.

3.6 Stockpile Management

When a stockpile reaches the desired quantity and has been sampled and characterized, no additional RAP material should be added to it. Subsequent RAP material should be stockpiled in a separate stockpile and characterized in the same manner. This process should continue such that characterized stockpiles are not compromised by new RAP materials.

Samples from the RAP stockpile should be taken during stockpiling and testing completed as per the minimum test frequencies specified in Table A.

3.7 RAP Quality Management Documentation

The Contractor shall document all testing required in this best practice in the form of spreadsheet or other suitable means. The documentation should be “stockpile specific” with a tracking name reference. Once a stockpile is submitted for use in asphalt mixes, no additional RAP will be allowed in that stockpile, and a new stockpile and tracking reference name established.

04020-4 ASPHALT MIX DESIGN

RAP shall be included at the proposed addition rates during the mix design. The Contractor shall submit a mix design to the City of Saskatoon Representative for review, as specified in Section 04010- Asphalt Mix.

In addition to the information required in Section 04010- Asphalt Mix, the following information shall be provided in the mix design submittal for the asphalt mixes containing RAP:

- All RAP aggregate gradations for each RAP product;
- Asphalt Content for RAP;
- Specific gravity of the combined aggregates (when applicable); and
- RAP Rheology test results.

Should a change in the source or addition rate of RAP be made after the mix design has been approved, a new mix design and/or job mix formula shall be submitted to the City of Saskatoon Representative.

END OF SPECIFICATION 04020

INDEX

	<u>Page</u>
04025-1 DESCRIPTION	2
04025-2 MATERIAL	2
04025-3 EQUIPMENT	2
04025-4 CONSTRUCTION	4
04025-5 MEASUREMENT	6
04025-6 PAYMENT	7

04025-1 DESCRIPTION

The work shall consist of supplying and the application of asphaltic material on a prepared surface at locations shown on the plans or as designated by the Engineer.

04025-2 MATERIAL

The Contractor shall supply the asphaltic material.

The asphaltic material shall meet the current specifications of the Asphalt Institute. Generally SS-1C emulsified asphalt shall be used for prime, tack or flush coat. The Contractor shall be required to dilute the emulsified asphalt with water, as required.

04025-3 EQUIPMENT

All equipment used in executing any part of the work shall be maintained in efficient working order.

The asphaltic material shall be applied by means of a self-powered pressure distributor. The distributor shall have a capacity of not less than 4,500 litres.

The distributor shall be equipped with the following appliances and devices in proper operating condition:

- 1) Tachometer.
- 2) Pressure gauge.
- 3) Adjustable length spray bar.
- 4) Positive displacement asphalt pump with separate power unit.

- 5) Heating coils and burner capable of supplying even heat to the bituminous material.
- 6) Thermometer well and accurate thermometer.

Before applying bituminous material, the Contractor shall ensure the distributor meets the following adjustments and requirements.

- 3.1 The rear chassis springs have been blocked or chained if necessary, to prevent the height of the spray bar from changing as the tank is unloaded.
- 3.2 All spray bar nozzles are of the same manufacture, type and size.
- 3.3 Clogged nozzles have been removed and cleaned with solvent.
- 3.4 All nozzles have been set in the spray bar so that the nozzle slots make the same angle (15 to 30) with the longitudinal axis of the spray bar.
- 3.5 The spray bar has been adjusted to the correct height to ensure uniform application without streaking.
- 3.6 The spray bar has been provided with a positive shut-off to prevent dribbling.
- 3.7 The distributor is capable of maintaining a uniform speed.

The distributor may be checked for calibration by the Engineer before being used on the work.

04025-4 **CONSTRUCTION**

Asphalt prime, tack and flush coat shall be applied only after authorization has been received from the Engineer.

The Contractor shall supply an experienced operator for the equipment.

Asphalt material for prime coat and tack coat shall be applied only when the surface to be treated is dry. It shall not be applied when the weather is foggy or rainy or when the ground temperature is less than 2°C.

Asphalt material for flush coat shall be applied only when the surface to be treated is dry, when the weather is not foggy or rainy and when the surface temperature is above 10 °C, or as directed by the Engineer.

Before applying asphaltic material, loose dirt or other objectionable material shall be removed from the prepared surface by brooming and other methods. Where base courses become ravelled, the loose material shall be removed or recompacted to a planer uniform surface.

The asphaltic material shall be applied in accordance with the following temperature limits.

<u>Type of Asphaltic Material</u>	<u>Temperature C°</u>
SS-1C	N.A.
MC-30	25 - 60

The asphalt material shall be applied in a single application at the rate per square metre specified by the Engineer.

The amount of primer to be used per square metre will be determined by the Engineer after trial runs at the start of the work. As much asphalt shall be applied as can be absorbed by the surface without any excess flushing on the surface. The rate of application shall be between 0.75 to 1.50 litres per square metre. After curing, if any excess primer remains on the surface, the Contractor shall apply an approved sand where necessary to blot up the excess asphalt. The sand cover, where used, shall consist of clean, granular, mineral material approved by the Engineer, all of which shall pass a 5.0 mm (No. 4) sieve. Only sufficient sand shall be spread to blot up excess asphalt and such areas shall be broomed to remove excess sand before pavement is laid.

After the prime coat has been applied, it shall be left undisturbed and no pavement shall be laid until the Contractor has obtained the approval of the Engineer or the Engineer's Representative.

The Contractor shall maintain the primed surface until the surfacing course has been placed. Maintenance shall include spreading any additional sand and patching any breaks in the primed surface. Any areas of primed surface that have become fouled by traffic, or otherwise, shall be cleaned before paving.

Weak spots that show up after the surface has been primed shall be repaired.

Unless instructed otherwise tack coat will always be required between layers of asphalt material on City of Saskatoon road rehabilitation work. The Contractor will allow a minimum of 2 hours for tack coat to cure or until the tack coat breaks. Tack coat breaks/broke is defined as the moment when water separates enough from the asphalt tack showing a color change from brown to black. The decision on whether the tack has broke will be made by the Engineer or their representative.

Concrete work adjacent to the roadway and roadway appurtenances shall be protected in a manner to prevent them from being splattered or marred. In the event that any of the appurtenances become splattered or marred, the Contractor shall at his own expense remove all traces of asphaltic materials and have the appurtenances in as good condition as they were before the asphalt priming work began. The distributor spray bar shall be equipped with proper guards.

A hand spray shall be used to apply primer material to areas missed or inaccessible by the distributor.

Joints and seams shall not be overlapped more than 150 mm. The bituminous material application shall be started on a strip of building paper to prevent overlap at transverse joints.

After the hot-mix asphalt surface course is completed, an asphalt flush coat shall be applied, at a rate of 0.50 to 0.75 litres per square metre. Traffic may be permitted to run on the completed flush coat after the asphalt has cured or at a time determined by the Engineer.

04025-5 MEASUREMENT

Measurement of asphalt prime, tack and flush coat will be in square metres.

04025-6 PAYMENT

Payment for prime coat, tack coat or flush coat will be at the contract unit price per square metre. The unit price will be full compensation for cleaning and preparing the surface to be treated, supplying, delivering, heating and applying the asphalt material, supplying and applying sand for blotting; and for all labour and equipment necessary to complete the work. If emulsified asphalt is used for prime coat, tack coat or flush coat, the unit price will be full compensation for supplying, hauling, loading and mixing with water.

END OF SPECIFICATION 04025

INDEX

	<u>Page</u>
04030-1 DESCRIPTION	2
04030-2 MATERIALS	2
04030-3 CONSTRUCTION	3
04030-4 MEASUREMENT	6
04030-5 PAYMENT	6

04030-1 DESCRIPTION

The work covered by this specification shall consist of supplying all plant, labour, equipment and materials and in performing all operations in connection with the application of Slurry Seal Coat in accordance with this specification.

The Slurry Seal Coat shall consist of a mixture of emulsified asphalt, mineral aggregate and water, properly mixed and spread on the surface as specified and as directed by the Engineer.

04030-2 MATERIALS

2.1 Emulsified Asphalt

The emulsified asphalt shall conform to the requirements of the current specifications of the Asphalt Institute. SS-1 grade emulsified asphalt shall be used with the Penetration of Residue at 38 C shall be 40-90 and a viscosity range of 20-50.

SS-1 and SS-2 grade emulsified asphalt may be used if approved by the Engineer.

The Contractor shall supply the emulsified asphalt.

2.2 Mineral Aggregate

Aggregate shall consist of natural, hard, durable, angular sand. The aggregate shall be clean, free from deleterious material, lumps of dried fines or adherent coatings.

The mineral aggregate shall meet the following gradation requirements:

<u>Sieve Designation</u>	<u>Percent Passing by Weight</u>
2.0 mm	100
900 µm	40 - 65
400 µm	25 - 45
160 µm	11 - 22
75 µm	7 - 15

2.3 Filler

When required to produce a proper "slurry consistency", the addition of a correct filler shall be added as required. Commercial fillers consisting of Portland Cement, Hydrated Lime, limestone dust or crusher run dust shall be used. Natural occurring materials, namely, silt or clay, will only be permitted to be used as a filler when approved by the Engineer.

04030-3 CONSTRUCTION

Immediately prior to applying slurry seal coat, the surface shall be cleaned of all loose material, silt spots and other objectionable material.

On old pavement, a tack coat consisting of a dilution of 1 part emulsified asphalt to 3 parts water shall be applied with a conventional pressure distributor.

3.1 Equipment

All equipment, tools, and machinery used in the performance of this work shall be maintained in satisfactory working condition.

3.1.1 Mixer

The slurry seal coat mixing machine shall be a continuous flow mixing unit and be able to accurately deliver and proportion aggregate, asphalt emulsion, and water to a revolving spiralled multiblade mixer and discharge the thoroughly mixed product on a continuous basis in a minimum amount of time.

The mixing machine shall be equipped with an approved fines feeder with an accurate metering device or method to introduce a predetermined amount of mineral filler into the mixer at the same time and location where the aggregate is fed. A calibrated control for aggregate and asphalt shall be provided capable for accurately proportioning materials.

The mixing machine shall be equipped with a water pressure system and a fog type spray bar adequate for complete fogging of the surface preceding spreading equipment with a maximum application of 0.30 litres per square metre.

The machine while in operation shall have a minimum speed of 18 metres per minute and shall not be allowed to exceed 55 metres per minute. Sufficient machine storage capacity shall be provided to properly mix and apply a minimum of 5 tonnes of slurry.

3.1.2 Spreading Equipment

The mechanical type squeegee distributor shall be equipped with flexible material in contact with the surface to prevent the loss of slurry from the distributor. It shall be maintained so as to prevent loss of slurry on varying grades and crown by adjustments to assure uniform spread and depth.

There shall be a steering device and a flexible strike-off. A piece of burlap or a piece of heavy canvas shall be attached behind the spreader to provide a smooth surface. The squeegee shall be attached behind the mixer.

3.1.3 Auxiliary Equipment:

Hand squeegees, shovels and hand equipment shall be provided as necessary to perform the work.

3.2 Mix Preparation

The quantities of aggregate, emulsified asphalt and water shall be measured or weighed into each batch. When preparing slurry seal mixes, the water and emulsified asphalt shall be added first, and then the aggregate. The amount of water used shall be a minimum to provide a fluid homogeneous mixture.

The Contractor shall make trial batches, at his expense, to determine the final blend of mineral aggregate, mineral filler and asphaltic binder until approved by the Engineer. Approximately 9.5 to 11.5 litres of emulsified asphalt shall be used per 45 kilograms of dry aggregate weight.

3.3 Application of Slurry Seal Coat

The surface shall be fogged with water from pressure nozzles directly preceding the drag distributor. No puddles of free water shall remain after fogging. The slurry mix shall be of the desired consistency when deposited on surface and no additional elements added. Total time of mixing shall not exceed 4 minutes. A maximum amount of slurry shall be carried in the distributor and the maximum allowable speed shall be 55 m per minute.

The average thickness of slurry seal coat applied shall be 3 mm or approximately 1 tonne per 1,500 square metres of surface.

Slurry seal shall be protected from all traffic until the slurry has set. The minimum time period, in excellent drying weather, shall be 4 hours or the time required for the slurry colour to change from uniform brown to uniform black.

Slurry application shall be suspended when rain is imminent within 12 hours.

04030-4 MEASUREMENT

Slurry seal coating will be measured in square metres.

04030-5 PAYMENT

Payment for Slurry Seal Coating will be at the contract unit price per square metre. The unit price will be for full compensation for supplying emulsified asphalt slurry seal aggregate and filler, preparing and applying the slurry seal, applying tack coat when required and cleaning the surface to be treated.

END OF SPECIFICATION 04030

INDEX

	<u>Page</u>
04040-1 GENERAL	2
1.1 Description	2
1.2 Related Work	2
04040-2 SPECIFIC REQUIREMENTS	2
2.1 Materials	2
2.1.1 Asphalt Mix	2
2.2 Supply	3
2.2.1 Hours of Work	3
2.2.2 Days of Work	3
2.2.3 Rate of Supply	4
2.2.4 Waiting Time	5
2.3 Plant and Yard Facilities	5
2.3.1 Plant Location	5
2.3.2 Asphalt Plant Capacity and Set Up	5
2.3.3 Scales	6
2.3.4 Truck Box Cleaning Facility	6
2.4 Compliance With Specifications	6
2.4.1 Materials	6
2.4.2 Supply	7
04040-3 MEASUREMENT	8
3.1 Asphalt Mix	8
3.2 Truck Box Cleaning	8
04040-4 PAYMENT	9
4.1 Asphalt Mix	9
4.2 Truck Box Cleanings	9

04040-1 GENERAL

1.1 Description

1.1.1 This Section specifies requirements for supply of hot mix asphalt concrete to the City of Saskatoon for placement by its own forces or its agents.

1.1.2 The work includes supply of aggregates and asphalt cement, asphalt plant mixing and discharging of asphalt mix to the requirements of Section 04010 into vehicles operated by the City of Saskatoon.

1.2 Related Work

1.2.1 Bituminous Binder - Section 04005.

1.2.2 Asphalt Mix - Section 04010.

04040-2 SPECIFIC REQUIREMENTS

2.1 Materials

2.1.1 Asphalt Mix

1. To the requirements of Section 04010, Asphalt Mix.

2. For specialty placement, the City may request a temperature increase above the maximum specified resulting in a decreased kinematic viscosity of approximately 50 centistokes (an approximate 20°C increase in temperature).

2.2 Supply

2.2.1 Hours of Work

Normal hours of work for the supply of asphalt mix will be 7:00 a.m. to 4:00 p.m. Exceptions to this schedule are to be mutually agreed upon by both parties 24 hours prior to the time of supply. The Owner reserves the right to extend the hours of supply beyond the normal 4:00 p.m. limit with 3 hours notice.

2.2.2 Days of Work

Normal days of work for supply of asphalt concrete shall be 5 days a week Monday through Friday. The Contractor shall be prepared to supply asphalt mix on weekends and statutory holidays with a preliminary and confirmation notice from the City for this supply of 48 hours and 12 hours respectively. Applicable premiums for weekend or statutory supply of asphalt mix shall apply. This amount per tonne would be added to the base price per tonne for any type of asphalt.

2.2.3 Rate of Supply

The Contractor shall be prepared to supply the following quantities at a uniform rate during each working day:

	<u>Normal Day</u>	<u>Maximum Day</u>
Type A1 or A2	450 tonnes	600 tonnes
Type 1 or 2	450 tonnes	600 tonnes
Type 3	300 tonnes	700 tonnes
Type 4	3 tonnes	10 tonnes

These rates shall be uniform throughout the day at no less than 40 tonnes per half hour per type.

The Contractor shall be capable of supplying each day all types of asphalt mix bid. If this condition is to be met by use of an alternate supplier, such shall be stated in the tender together with the name and plant location of the supplier.

To assist scheduling the City shall supply in writing each week, the estimated needs for the following week of each type and quantity of asphalt mix.

Changes to needs, quantities and/or temperatures will be given to the supplier on or before 2:00 p.m. the prior day.

2.2.4 Waiting Time

Trucks supplied by the Owner shall be alternated between trucks supplying to the Contractor as it applies to receiving asphalt mix at the asphalt plant.

If either the Owner or Contractor has trucks supplying to more than one site, the apportionment of asphalt mix shall be made according to the total number of projects being supplied. When this alternating method is employed, the leading truck supplied by the Owner shall not have to wait more than 5 minutes to start loading.

2.3 Plant and Yard Facilities

2.3.1 Plant Location

Asphalt mix supplied under this Contract is desired to be supplied from an asphalt plant located within the City limits. A location outside these limits will be considered on an evaluated basis wherein the cost of the City of increased haul distance is added to the bid price for purpose of comparison. The precise location of the plant must be stated in the tender.

2.3.2 Asphalt Plant Capacity and Set Up

The asphalt silos and associated equipment must have sufficient capacity to meet requirements under this section for the supply of multiple products tendered. The Contractor shall indicate plant capacity (tonnes) and number of silos in Schedule C of the Tender Form.

A sketch of the asphalt plant layout, entry and exit locations from the yards and stockpile size and capacity (tonnes) for each aggregate fraction as an attachment to the Tender Form.

2.3.3 Scales

The Contractor shall supply a suitable scale of approved design. Before any weighing of material, the Contractor shall provide to the Engineer a Certificate from the Department of Trade and Commerce to the effect that the scale has been certified.

2.3.4 Truck Box Cleaning Facility

The Contractor shall provide a facility at the plant site to spray the City's truck boxes with diesel fuel in order to remove asphalt mix adhered to the interior of the box.

2.4 Compliance With Specifications

2.4.1 Materials

1. All applicable adjustment factors and provisions for non-compliant asphalt mix shall be enforced to the requirements stated in Section 04010, Asphalt Mix.
2. No segregation in the asphalt concrete shall be attributable to the production of the asphalt mix. If segregation occurring in the final mat is caused by the operation of the asphalt plant, asphalt mix production shall be ceased, the cause determined and corrective action taken.

2.4.2 Supply

Further to General Conditions Section 00705-22, if the Seller fails to supply the specified materials or meet provisions under this section, the City may without terminating this Contract;

1. Secure other sources of supply immediately upon written notice to the Contractor, until the Contractor can demonstrate that their product meets specifications and provisions under this Section. The City shall deduct from the Contractor's payment an incremental cost to secure an alternate supply. The total contract price shall be reduced accordingly.
2. Terminate acceptance of materials immediately upon written notice to the Contractor until the Contractor can demonstrate that their product meets specifications and provisions under this Section. The City shall deduct from the payment due the Contractor damages resulting from lost production and or delay in schedule.
3. Deduct from the payment due the Contractor damages resulting from lost production and or delay in schedule for plant breakdown.

04040-3 MEASUREMENT

3.1 Asphalt Mix

- 3.1.1** Asphalt shall be measured in tonnes of material loaded as determined by scales at the Contractor's plant location.

- 3.1.2** Material is to be scaled and recorded by the Contractor on duplicate weigh slips. Weigh slips must be signed by both parties at the time of loading and a copy supplied to the City of Saskatoon. Tickets shall include a ticket number, gross, net and tare weights, truck number and cumulative total by asphalt type and project for that day. A summary of daily asphalt quantities giving ticket number, time, date, and quantity by asphalt type and subtalled by project shall be submitted to the City on a daily basis.

- 3.1.3** The weight of each vehicle shall be determined while the truck is on the scale prior to loading with hot mix asphalt.

- 3.1.4** The premium for weekend or statutory holiday supply shall be measured in tonnes of material loaded as determined by scales at the Contractor's plant location. This amount per tonne would be added to the base price per tonne for any type of asphalt.

3.2 Truck Box Cleaning

- 3.2.1** Truck box cleaning shall be measured per each truck box sprayed with diesel fuel.

04040-4 PAYMENT

4.1 Asphalt Mix

Payment for asphalt concrete will be at the contract unit price per tonne adjusted as per the specified adjustment factors for air voids and stability.

The unit price will be full compensation for removing overburden, excavating, crushing, screening, stockpiling, and drying the aggregate; supplying, heating and storing the asphalt cement; mixing and loading the asphalt mix.

4.2 Truck Box Cleaning

Payment for truck box cleaning shall be at the contract unit price per each truck box cleaned. The unit price shall be full compensation for providing a pressured diesel fuel sprayer as the washing medium at the asphalt plant site.

END OF SPECIFICATION 04040

INDEX

	<u>Page</u>
04050-1 DESCRIPTION	2
04050-2 MATERIALS	2
04050-3 MEASUREMENT	3
04050-4 PAYMENT	3

04050-1 **DESCRIPTION**

Cold Mix Asphalt shall be used for patching potholes and utility cuts primarily during the winter months and early spring before Hot Mix Asphalt is available.

04050-2 **MATERIALS**

2.1 **Bituminous Binder**

The Bituminous Binder shall be SC 250 which conforms to the requirements listed in Table 3 under Section 04005-3.3. Percent of Binder by dry weight shall be from 5.5 - 6.5.

2.2 **Aggregate**

Shall meet the following gradation listed below:

General Specifications

Sieve Designation	% Pass by Weight
12.5 mm	100
9.0 mm	78 - 88
5.0 mm	58 - 75
2.0 mm	38 - 57
900 µm	26 - 42
400 µm	11 - 30
160 µm	3 - 12
75 µm	2 - 6

The maximum allowable mixing temperature is 80°C.

04050-3 MEASUREMENT

- 3.1 Cold Mix asphalt shall be measured in tonnes of material loaded as determined by scales at the Contractor's plant location.

- 3.2 Material is to be scaled and recorded by the Contractor on duplicate weigh slips. Weigh slips must be signed by both parties at the time of loading and a copy supplied to the City of Saskatoon. Tickets shall include a ticket number, gross, net and tare weights, truck number and cumulative total by asphalt type and project for that day.

- 3.3 The weight of each vehicle shall be determined at the beginning of the work with the fuel tank half full, spare tire in place and the driver in the cab. This weight, called the vehicle weight will be checked and/or amended at the discretion of the Engineer.

04050-4 PAYMENT

Payment for Cold Mix Asphalt will be at the unit price per tonne.

The unit price will be full compensation for removing overburden, excavating, crushing, screening, stockpiling, and drying the aggregate; mixing and loading the asphalt mix.

END OF SPECIFICATION 04050

INDEX

	<u>Page</u>
04060-1 DESCRIPTION	2
04060-2 MATERIALS	3
04060-3 CONSTRUCTION	4
04060-4 MEASUREMENT	8
04060-5 PAYMENT	10

04060-1 DESCRIPTION

1.1 Description

The work shall include the supplying of all labour, plant, equipment and materials required to cut and remove existing asphalt, replace insufficient load bearing granular and patch paving to the thickness required for street class.

1.2 Definitions

1.2.1 Shallow Patching - An area of failed asphalt, that upon removal or milling, shows a hard, stable granular or asphalt concrete structure that does not need to be removed. Removed area is then replaced with a predetermined asphalt type and thickness, according to Table 1.

1.2.2 Deep Patching - An area of failed asphalt, that upon removal, shows that the granular structure below the asphalt is not stable. The granular structure would be removed to a depth to accommodate a proper new structure. The structure would be replaced according to Table 1.

04060-2 MATERIALS

2.1 Granular Base Course

The Base Course shall conform to the requirements as set out in Section 03005 - “Granular Base Course” of the City of Saskatoon specifications.

2.2 Pit Run Aggregate

Pit Run aggregate shall conform to the requirements of Section 03001.

2.3 Asphaltic Material

The Asphaltic Material shall meet the current specifications of the Asphalt Institute. The material to be used for tacking saw cut joints shall be 150/200A asphalt cement.

The use of SS-1C as an emulsified prime coat or MC-30 will be permitted for application on the finished base surface as a prime coat.

All Asphaltic Material will meet specifications outlined in Section 04025 - “Asphalt Prime, Tack & Flush Coat” of the City of Saskatoon specifications.

2.4 Hot Mix Asphalt

All Hot Mix Asphalt (HMA) will meet specifications outlined in Section 04010, “Asphalt Mix” and install in accordance with Section 04015, “Asphalt Concrete” of the City of Saskatoon specifications.

2.5 Slurry Seal Coat

Slurry Seal Coat shall meet specifications outlined in Section 04030 - “Slurry Seal Coat” of the City of Saskatoon specifications.

04060-3 CONSTRUCTION

The Contractor shall supply an experienced operator for any equipment being used.

The Asphalt shall be saw cut prior to the removal of asphalt. The saw cut must extend completely through the asphalt.

3.1 Asphalt Removal

Care must be taken to ensure that the adjacent asphalt is not lifted, nor the edges of the saw cut asphalt damaged. Damaged areas shall be saw cut, removed and fully restored at the Contractor’s expense. Removed asphalt will be stockpiled separately and disposed of at the direction of the Engineer.

Once the asphalt has been removed, the existing granular layer will be proof-rolled by the Contractor. Based on the performance of the granular layer, the Contractor will be directed to either further excavate the area or prepare the existing granular structure. The depth of the excavation will extend to the depth of the pavement structure specified in Table 1. However, based on the results of an axle test or proof-roll on the sub-grade, the Contractor may be directed to further excavate to a specified depth.

3.2 Salvage Granular To Stockpile & Reinstall

Deep patches may have granular material which is suitable for salvaging and reuse. Where appropriate, the Contractor will salvage the granular to a specified depth and stockpile the material on site. During the salvage operation, care must be taken to ensure that the granular material is not contaminated with subgrade soil or other deleterious material. Once the subgrade has been adequately prepared, the salvaged granular will be installed and compacted in accordance with the specification Section 3005-4 Construction - "Granular Base Course", except that densities will not be determined using the Standard Proctor Compaction Test. Instead the salvaged granular shall be proof-rolled. If the salvaged granular is spongy or moves under a concentrated load or during proof-rolling, it shall be reworked until stable and shows no movement.

3.3 Prepare Subgrade

Once exposed, the sub-grade will be compacted to a minimum depth of 150 mm. In areas where it is deemed not reasonable to obtain a Proctor value for the sub-grade, it shall be proof-rolled. If the sub-grade is spongy or moves under a concentrated load or during proof-rolling, it shall be reworked until hard and shows no movement.

3.4 Placement of Base

For deep patches granular base course will be installed to the depth specified in Table 1 with the thickness of compacted lifts not exceeding 150 mm.

For shallow patches, granular base course will be installed to ensure that the thickness of the asphalt layer does not exceed the designed thickness. Where the lift thickness of the granular base course is less than 75mm, the existing granular shall be scarified and the new base mixed and compacted with the existing granular to provide an homogenous layer.

Special attention is to be taken along the edges of the patches to ensure that proper compaction is achieved across the entire patch surface. Densities will be determined by the Standard Proctor Compaction test, or at the discretion of the Engineer, acceptance of the installation will be subject to proof-rolling. In the case of the

latter, should the base be spongy or exhibits deflection under a concentrated load or during proof-rolling, it shall be reworked until no deflection is observed. The compacted base shall be free from all loose material and have a uniform, planar surface prior to applying the prime coat.

3.5 Tack Coat

The saw cut joints will be tacked with a 150/200A asphalt cement. It will be acceptable for the asphalt cement to be reheated in a pail and applied with a broom or other applicator to ensure that the vertical edge of the joint is uniformly coated. Paving operations may commence immediately after tacking joints.

3.6 Asphalt Concrete Patching

After the base has been prepared or installed, and the existing asphalt edges tacked, hot mix asphalt shall be supplied and placed.

Patches with a width of 2 metres or greater shall be paved with a paving machine. Patches with a width of less than 2 metres shall be paved with a paving machine, skidsteer loader, motor grader, or by hand at the Contractor's discretion.

The hot mix asphalt concrete shall be installed in accordance with Section 04015 - "Asphalt Concrete". Adjustment to the unit bid price for the supply and installation of hot mix asphalt concrete will be made for non compliance with the specifications.

3.7 Slurry Seal Coat

A slurry seal coat may be applied to patches with a width of less than 2 metres at the Engineer's discretion. The slurry seal coat shall be applied in accordance with Section 04030 - "Slurry Seal Coat", and shall extend 100 mm beyond the edges of the patch.

Classification	Base	Asphalt	Asphalt Type
Local	300 mm	50 mm	Type 2
Industrial Local	500 mm	80 mm	Type A2
Collector	400 mm	80 mm	Type 2
Arterial	450 mm	100 mm	Type A2
Freeway/Expressway	500 mm	100 mm	Type A2

TABLE 1

04060-4 MEASUREMENT

4.1 Saw Cutting

Will be measured by linear metre of asphalt cut.

4.2 Asphalt Removal

Will be measured by square metre of asphalt removed.

4.3 Salvage Granular to Stockpile and Reinstall

Salvaging granular to stockpile and reinstalling will be based on per cubic metre and shall be measured by the area of removal times the average depth.

4.4 Excavation to Waste

Excavation to waste will be based on per cubic metre and shall be measured by the area of removal times the average depth.

4.5 Sub-grade Preparation

Sub-grade preparation will be measured by square metre.

4.6 Granular Base Course

Granular base course will be measured by the tonne.

4.7 Hot Mix Asphalt

Hot mix asphalt shall be measured by the tonne.

4.8 Slurry Seal Coat

Slurry seal coat will be measured by the square metre of new asphalt covered with slurry seal.

04060-5 PAYMENT

Payment adjustments will be made according to the adjustments outlined in Section 04010, and shall include thickness, density, stability and air voids. Patches tested will be at the discretion of the Engineer.

All items will be paid for as follows:

5.1 Saw Cutting

Saw cutting shall be paid for on the unit price per linear metre, and shall include all labour and equipment required to perform the work.

5.2 Asphalt Removal

Asphalt Removal shall be paid for on the unit price per square metre, and shall include all costs associated with removing, loading, hauling and disposal of the existing asphalt pavement at a location designated by the Engineer.

5.3 Salvage Granular to Stockpile and Reinstall

Salvage granular shall be paid for on the unit price per cubic metre, and will be full compensation for all labour, material and equipment required to excavate to the required depth, load and stockpile on site, and load, place, spread, water, aerate, compact and proof roll the salvaged material.

5.4 Excavation to Waste

Excavation to waste will be paid for on the unit price per cubic metre and will be full compensation for all labour, material and equipment required to excavate, load, haul and dispose of the material at a location designated by the Engineer.

5.5 Prepare Subgrade

Preparing subgrade will be paid for at the contract unit price per square metre and will include all costs associated with the labour, material and equipment required to shape and compact the subgrade. For shallow patching, this item will refer to any necessary compaction or reworking of the existing granular structure.

5.6 Granular Base Course

Payment will be at the contract unit price per tonne and will include all costs for labour, material and equipment required to supply, spread, water, aerate and compact the granular base course.

5.7 Sealing Joints

Sealing joints will be a subsidiary obligation of the contract.

5.8 Hot Mix Asphalt Concrete

Payment for hot mix asphalt concrete will be at the contract unit price per tonne and will be full compensation for all the labour, material and equipment required to supply, spread and compact the asphalt concrete mix.

5.9 Slurry Seal Coat

Payment for slurry seal coat will be at the contract unit price per square metre of new asphalt and will be full compensation for supplying the emulsified asphalt slurry seal aggregate and filler, and preparing and applying the slurry seal coat to the finished asphalt surface.

END OF SPECIFICATION 04060

INDEX

04070-1	GENERAL.....	2
04070-2	MATERIALS	2
04070-3	EQUIPMENT	2
04070-4	CONSTRUCTION	2
04070-5	TESTING.....	4

04070-1 GENERAL

1.1 Description of Work

The work under this section includes, but is not limited to, the supply of all superintendence, traffic control, labour, material, equipment and tools required to perform pavement repairs using infrared heater equipment.

04070-2 MATERIALS

2.1 Asphalt Mix Type

Type 2 and Type 4 asphalt concrete and reclaimed asphalt product (RAP) shall be used and will follow the City of Saskatoon Specification unless otherwise approved by the Engineer.

04070-3 EQUIPMENT

All tools, machinery, plant and equipment used in handling materials and executing any part of the work shall be subject to the approval of the Engineer. All such equipment shall be maintained in efficient working order and where any of the machinery plant or equipment is found to be unsatisfactory; it shall be improved or replaced by the Contractor to the satisfaction of the Engineer.

04070-4 CONSTRUCTION

4.1 Preparation

Upon arriving on site, the construction area shall be swept to remove any standing water, loose asphalt, and dirt.

4.2 Heater Placement

The area to be restored as shown in Figure 1 shall be squared off at least 150 mm away from the damaged area (pothole).

The area to be heated as shown in Figure 1 shall be squared off at least 150 mm away from the area to be restored.

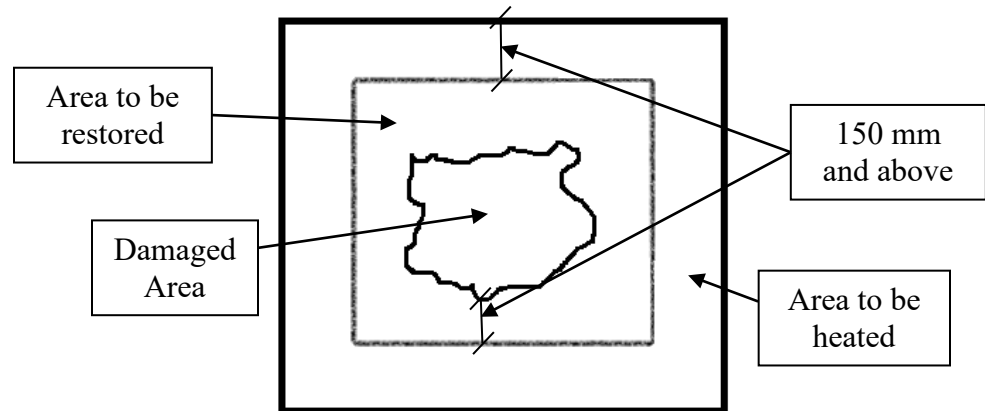


Figure 1: Heater Placement Area Location (not to scale)

The infrared burners shall be 250 mm above the highest point in the damaged area.

4.3 Heating Temperature

The Contractor shall heat the asphalt pavement to 135°C to 175°C evenly throughout the area to be heated as shown in Figure 1 without burning the asphalt pavement.

4.4 Raking

The Contractor shall rake the heated asphalt in the area to be restored as shown in Figure 1, while not disturbing the area to be heated.

The Contractor shall roughly level the area to be restored with a slight trough at the edges.

4.5 Rejuvenating

The Contractor shall spray a small amount of rejuvenator that is listed on the City approved product list.

4.6 Addition of New Asphalt

In a case where a new asphalt is required, the Contractor shall use Type 2 and Type 4 asphalt concrete and reclaimed asphalt product (RAP) unless otherwise approved by the Engineer.

4.7 Compaction

The Contractor shall have available at all times the necessary labour, equipment and tools required to compact the asphalt and base in the area to be heated as shown in Figure 1.

4.8 Cold Weather Application

During when the temperature is below 4°C the Contractor shall maintain the temperature of asphalt pavement above 135°C during the duration of construction.

04070-5 TESTING

The City of Saskatoon shall appoint an independent testing consultant to perform all tests for quality control of the mix to determine compliance with specification during production (process control), and quality assurance to determine acceptance and payment adjustments to material supplied and placed.

Sampling for quality assurance will be done using a random sampling procedure as identified by the Engineer. Where there is continuous production uninterrupted

by plant shutdown due to quality control only the predetermined random sampling frequency will be used to determine payment adjustments to the unit bid price.

The quality assurance random sampling will also be the basis for quality control for generating control charts and determining plant shutdown. In addition to the quality assurance sampling the Engineer may also initiate supplementary tests independent of the quality assurance random sampling procedure to supplement the quality control tests for determining process control. These additional tests will not be used for payment adjustment factors unless it results in plant shutdown prior to the sampling for quality assurance in that specific lot of material. The supplementary test in this case will then be used for payment adjustment on that portion of the untested lot. If the supplementary test results in termination of production the Contractor will be required to pay for the test.

The Contractor shall retain and pay an independent testing consultant to perform all materials certification tests and mix designs required in this section.

END OF SPECIFICATION 04070

INDEX

	<u>Page</u>
05015-1 DESCRIPTION	2
05015-2 MATERIALS	2
05015-3 CONSTRUCTION	4
05015-4 MEASUREMENT AND PAYMENT	7
05015-5 PIPE PROPERTIES AND DIMENSIONS	7

05015-1 DESCRIPTION

This section specifies requirements for supply and installation of chain link fence and gates.

05015-2 MATERIALS

2.1 General

2.1.1 Concrete:

1. Compressive strength 20 MPa minimum 28 days.
2. Coarse aggregate 19.0 mm maximum size.

2.1.2 Chain Link Fence Fabric: to CAN2 138.1.

1. Zinc coated steel.
2. Height of wire, 1200 mm or 1800 mm, as per drawing.
3. Size of wire, 3.5 mm diameter.
4. Size in mesh, 50 mm.
5. Knuckled at one selvage and twisted at other.

2.1.3 Posts and rails: to CAN2 138.1 galvanized steel pipe, standard weight, sizes as per drawings.

2.1.4 Tension wire: single strand, galvanized steel wire, 5 mm diameter.

2.1.5 Fasteners: single strand, aluminium or galvanized steel wire conforming to requirements of fence fabric, 3.5 mm diameter.

- 2.1.6 Tension bar:** 5 x 20 mm min. galvanized steel.
- 2.1.7 Tension bar bands:** 3 x 20 mm min. galvanized steel or 5 x 20 mm min. aluminium.
- 2.1.8 Pedestrian screen:** to standards herein and to sizes and dimensions indicated in drawings.
- 2.1.9 Gate frames:** to ASTM A120, galvanized steel pipe, standard weight, 45 mm O.D. pipe for outside frame, 35 mm O.D. pipe for interior bracing.
1. Gates fabricated as indicated, electrically weld joints and hot-dip galvanize after welding.
 2. Fence fabric fastened to gate with twisted selvage at top.
 3. Gates furnished with galvanized malleable iron hinges, latch and latch catch with provision for a padlock which can be attached and operated from either side of installed gate.
 4. Double gates furnished with a chain hook to hold gates open and a centre rest with drop bolt for closed position.
- 2.1.10 Fittings and hardware:** cast aluminium alloy, or galvanized steel, malleable or ductile cast iron. Post caps designed to provide a waterproof fit, to fasten securely over posts and to carry top rail.
- 2.1.11 Zinc pigmented paint:** to CGSB 1-GP-178M.

2.2 Finishes

2.2.1 Galvanizing

1. For chain link fabric: to CAN2 138.1 Grade 1.
2. For pipe: 570 g/m² minimum to CSA B63.
3. For other fittings: to CSA G164.

05015-3 CONSTRUCTION

3.1 Grading

3.1.1 Inspect site and confirm that rough grading by the City of Saskatoon to within 200 mm of final ground line has been completed. Commencement of work this section implies acceptance of site conditions.

3.1.2 Remove debris and correct ground undulations along fence line to obtain a smooth uniform gradient between posts. Provide clearance between bottom of fence and ground surface neither less than 40 mm nor more than 75 mm.

3.1.3 Clean up for 1.5 m on both sides of fence line taking care not to extend operations beyond property limits.

3.2 Erection of Fence

3.2.1 Erect fence along lines indicated or established by Engineer.

- 3.2.2 Excavate post holes to indicated depths by approved methods.
- 3.2.3 Space line posts 3 m apart; measured parallel to ground surface.
- 3.2.4 Space straining posts at equal intervals not exceeding 150 m if distance is greater than 150 m between end or corner posts on straight continuous lengths of fence over reasonably smooth grade.
- 3.2.5 Install additional straining posts at sharp changes in grade and where Engineer directs.
- 3.2.6 Install corner post where change in alignment exceeds 20 degree angle.
- 3.2.7 Install end posts at end of fence and on both sides of gate openings.
- 3.2.8 Set posts in concrete. Extend concrete 50 mm above ground level and slope to drain away from posts. Brace to hold posts in plumb position and true to alignment and elevation until concrete has set. Do not concrete posts when air temperature is less than 5 C without Engineer's approval.
- 3.2.9 Do not install fence fabric until concrete has cured a minimum of 5 days.
- 3.2.10 Install brace between end and gate posts and nearest line post, placed in centre of panel and parallel to ground surface. Install braces on both sides of corner and straining posts in similar manner.
- 3.2.11 Install top rail between posts (where required) and fasten securely to posts with waterproof caps.

3.2.12 Install bottom tension wire, stretch tightly and fasten securely to end, corner, gate and straining posts with drop forged turnbuckles and tension bar bands.

3.2.13 Lay out fence fabric, stretch tightly and fasten to end, corner, gate and straining posts with tension bar secured to post with tension bar bands spaced at 300 mm intervals.

3.2.14 Secure fabric to top rails, line posts and bottom tension wire with tie wires at 450 mm intervals. Give tie wires no less than two twists.

3.3 Erection of Gates

3.3.1 Erect gates in locations indicated.

3.3.2 Set gate bottom approximately 40 mm above ground surface.

3.3.3 Determine position of centre gate rest for double gate. Cast gate rest in concrete. Dome concrete above ground level to shed water.

3.3.4 Install gate stops where indicated.

3.4 Patching

3.4.1 Repair damaged galvanized surfaces. Clean damaged surfaces with wire brush removing loose and cracked spelter coatings. Apply two coats of approved zinc pigmented paint to damaged areas.

3.5 Cleaning

3.5.1 Clean and trim areas disturbed by operations. Dispose of surplus excavated material and replace damaged sod as directed.

05015-4 MEASUREMENT AND PAYMENT

Measurement and Payment for chain link fencing will be on a unit price basis per lineal meter of chain link fence installed and include of material, labour and equipment required to supply and construct chain link fencing of the required height.

Measurement and payment of chain link fence gates will be on a unit price basis per each gate installed and include all material, labour and equipment required to supply and install a chain link gate of the required width.

05015-5 PIPE PROPERTIES AND DIMENSIONS

	Diameters		*Type	Wall Thickness	Weight Per Foot	Areas of Metal	I	S	r
Nominal	External	Internal							
In.	In.	In.		In.	Lb.	In. ²	In. ⁴	In. ³	In.
½	.840	.622	Std	.109	.85	.250	.017	.041	.261
		.546	XS	.147	1.09	.320	.020	.048	.250
		.252	XXS	.294	1.71	.504	.024	.058	.219
¾	1.050	.824	Std	.113	1.13	.333	.037	.070	.334
		.742	XS	.154	1.47	.433	.045	.085	.321
		.434	XXS	.308	2.44	.718	.058	.110	.248

	Diameters		*Type	Wall Thick-ness	Weight Per Foot	Areas of Metal	I	S	r
Nominal	External	Internal							
In.	In.	In.		In.	Lb.	In. ²	In. ⁴	In. ³	In.
1	1.315	1.049	Std	.133	1.68	.494	.087	.133	.420
		.957	XS	.179	2.17	.639	.106	.161	.407
		.599	XXS	.358	3.66	1.08	.140	.214	.361
1 ½	1.900	1.610	Std	.145	2.72	.799	.310	.326	.623
		1.500	XS	.200	3.63	1.07	.391	.412	.605
		1.100	XXS	.400	6.41	1.88	.568	.598	.549
2	2.375	2.067	Std	.154	3.65	1.08	.666	.561	.787
		1.939	XS	.218	5.02	1.48	.868	.731	.766
		1.503	XXS	.436	9.03	2.66	1.31	1.10	.703
2 ½	2.875	2.469	Std	.203	5.79	1.70	1.53	1.06	.947
		2.323	XS	.276	7.66	2.25	1.92	1.34	.924
		1.771	XXS	.552	13.70	4.03	2.87	2.00	.844
3	3.500	3.068	Std	.216	7.58	2.23	3.02	1.72	1.16
		2.900	XS	.300	10.25	3.02	3.89	2.22	1.14
		2.300	XXS	.600	18.58	5.47	5.99	3.42	1.05
3 ½	4.000	3.548	Std	.226	9.11	2.68	4.79	2.39	1.34
		3.364	XS	.318	12.51	3.68	6.28	3.14	1.31
4	4.500	4.026	Std	.237	10.79	3.17	7.23	3.21	1.51
		3.826	XS	.337	14.98	4.41	9.61	4.27	1.48
		3.152	XXS	.674	27.54	8.10	15.28	6.79	1.37

	Diameters		*Type	Wall Thick-ness	Weight Per Foot	Areas of Metal	I	S	r
Nominal	External	Internal							
In.	In.	In.		In.	Lb.	In. ²	In. ⁴	In. ³	In.
5	5.563	5.047	Std	.258	14.62	4.30	15.2	5.45	1.88
		4.813	XS	.375	20.78	6.11	20.7	7.43	1.84
		4.063	XXS	.750	38.55	11.34	33.6	12.1	1.72
6	6.625	6.065	Std	.280	18.97	5.58	28.1	8.50	2.25
		5.761	XS	.432	28.57	8.41	40.5	12.2	2.20
		4.897	XXS	.864	53.16	15.64	66.3	20.0	2.06
8	8.625	7.981	Std	.322	28.55	8.40	72.5	16.8	2.94
		7.625	XS	.500	43.39	12.76	106.	24.5	2.88
		6.875	XXS	.875	72.42	21.30	162.	37.6	2.76
10	10.750	10.020	Std	.365	40.48	11.91	161.	29.9	3.67
		9.750	XS	.500	54.74	16.10	212.	39.4	3.63
		8.750	XXS	1.000	104.13	30.63	368.	68.4	3.47
12	12.750	12.000	Std	.375	49.56	14.58	279.	43.8	4.38
		11.750	XS	.500	65.42	19.24	362.	56.7	4.34
		10.750	XXS	1.000	125.49	36.91	642.	101.	4.17

* Type refers to : Standard Weight - Std., Extra Strong - XS, Double Extra Strong - XXS.

END OF SPECIFICATION 05015

INDEX

	<u>Page</u>
05025-1 DESCRIPTION	2
05025-2 MATERIALS	2
05025-3 EQUIPMENT	2
05025-4 PROCEDURE	2
05025-5 TEST	3
05025-6 PAYMENT	3

05025-1 **DESCRIPTION**

The work shall consist of hydro blasting, rotor routing and/or vibrating loose debris in the deck drain leads on the following bridges: Idylwyld (and ramps) and University Bridge.

05025-2 **MATERIALS**

The Contractor shall supply all materials to carry out the work.

05025-3 **EQUIPMENT**

The following equipment shall be available for use and in good working order:

- one - hydro blaster capable of 8,000 psi.
- one - roto router capable of routing 50 to 100 feet.
- two - 50 gallon tanks with a pump capable to discharge at the rate of 50 gallons per minute.

The equipment cited shall not be limited to the work but only as a minimum.

05025-4 **PROCEDURE**

The Contractor shall rod or hydro blast the vertical deck drain leads on the blocked leads of the University Bridge.

On the Idylwyld Bridge the Contractor shall remove the catch basin grating and test for blockage using 50 gallons of water. If the leads are clear, the Contractor shall replace the catch basin grating to the satisfaction of the Engineer and proceed to the next catch basin.

Where the catch basin lead is clogged, the Contractor shall use the cited equipment to try to clear the lead. In the event that there is no significant progress in the unclogging process, the Engineer shall decide when to stop the endeavour. His decision is final.

05025-5 TEST

Where directed by the Engineer, the Contractor shall cause to be discharged up to 500 gallons of water into a catch basin lead. This is to demonstrate to the Engineer that the lead is open.

05025-6 PAYMENT

Payment shall be on an hourly basis for:

- i) Cleaning the leads on the University Bridge.
- ii) Cleaning the leads on the Idylwyld Bridge.

The rates shall include all labour, materials and equipment to carry out the work as well as the cost for traffic control.

The payment for the test shall be as specified on a per gallon basis. Included in this shall be the cost of the water and equipment necessary for the test.

END OF SPECIFICATION 05025

INDEX

	<u>Page</u>
06005- 1 REFERENCE TO STANDARD SPECIFICATIONS	2
06005- 2 CONCRETE AGGREGATE	2
06005- 3 TESTS ON CONCRETE AGGREGATE	3
06005- 4 CEMENT	4
06005- 5 PROVIDING CHEMICAL AND PHYSICAL TESTS ON CEMENT	5
06005- 6 WATER	5
06005- 7 CONCRETE PROPORTIONS AND CONSISTENCY	5
06005- 8 MIXING OF CONCRETE	6
06005- 9 FLYASH	6
06005-10 ACCELERATING ADMIXTURES	7
06005-11 WINTER SERVICE AND SULPHATE RESISTANCE	7
06005-12 TESTS ON CONCRETE	8
06005-13 MIX DESIGN, TESTING AND DELETERIOUS MATERIALS	9
06005-14 AIR-ENTRAINING ADMIXTURES	12
06005-15 PAYMENT REDUCTION FOR LOW AIR ENTRAINMENT	12
06005-16 PAYMENT REDUCTIONS FOR LOW STRENGTH CONCRETE	14

06005-1 REFERENCE TO STANDARD SPECIFICATIONS

Reference in these Specifications will be made to the latest edition of the Canadian Standards Association (C.S.A.) for Concrete Materials and Methods of Concrete Construction/Test Methods and Standard Practices for Concrete.

06005-2 CONCRETE AGGREGATE

Aggregate shall consist of clean, hard, durable, crushed stone or gravel free from lumps, soft and flaky particles, organic matter, salt, alkali, free from adherent coatings and shall conform to the C.S.A. Standard Specification for Concrete Aggregates.

2.1 Aggregate Rejection

2.1.1 Fine Aggregate:

Aggregate shall comply with the grading requirements of C.S.A. Standard Specifications.

Aggregate shall be rejected if it:

- a) produces a colour darker than the reference standard specified in the C.S.A. Test Method for Organic Impurities in Sands for Concrete.
- b) contains more than 1% clay lumps, as determined by C.S.A. Methods.
- c) contains more than 3% of material finer than **80** um sieve.

2.1.2 Coarse Aggregate:

Coarse aggregate shall be 20 mm nominal and comply with the grading requirements of C.S.A. Standard Specifications.

Aggregate shall be rejected if it:

- a) contains clay lumps in excess of 0.3% as determined by C.S.A. Methods.
- b) contains more than 1% of material finer than the No. 80 um Sieve.
- c) percentage loss is greater than 35% as determined by the Los Angeles Abrasion Test described in C.S.A. Methods.
- d) contains more than 0.5% low density material as determined by C.S.A. Methods.

06005-3 TESTS ON CONCRETE AGGREGATE

The Contractor shall have a Testing Laboratory, approved by the Engineer, perform certain tests on the concrete aggregate according to the current C.S.A. Specifications.

The Contractor shall, at his own expense, supply the following material tests:

1. Wash Sieve Analysis - C.S.A. - A23.2-2A / C.S.A. – A23.2-5A.
2. Organic Impurities - C.S.A. - A23.2-7A.
3. Clay Lumps - C.S.A. - A23.2-3A.

4. Specific Gravity Test - C.S.A. - A23.2-6A for sand and A23.2 - 12A for course aggregate.
5. Los Angeles Abrasion Test - C.S.A. - A23.2-16A & C.S.A. - A23.2-17A.
6. Test for Soundness of Aggregate - C.S.A. - A23.2-9A.
7. Low density material in aggregate - C.S.A. - A23.2-4A.

The above aggregate tests shall be submitted to the Engineer each year as follows:

1. Seven days before any concrete is placed.
2. During the first week in July.
3. During the first week in September.

The Contractor shall also, at his own expense, supply to the Engineer the proposed concrete mix design at least 7 days before any concrete is placed.

In the event that the original concrete design mix submitted to the Engineer requires changes, such design changes shall be approved by the Engineer or requested by the Engineer and a new concrete design mix shall be submitted at the cost of the Contractor. At no time shall the mix design be changed by the Contractor or concrete supplier unless approved by the Engineer.

All test or mix design reports shall be submitted in duplicate to the Engineer and whenever applicable, be compared to the current C.S.A. Standard or as specified. The report shall be complete and to the satisfaction of the Engineer.

06005-4 CEMENT

Cement used on the work shall be a type of Portland Cement conforming to C.S.A. - A23.3.1 unless a different type of cement is specified.

06005-5 PROVIDING CHEMICAL AND PHYSICAL TESTS ON CEMENT

The results of the chemical and physical tests on the cement to be used in the production of the ready-mixed concrete shall be supplied to the City Engineer by the manufacturer of the cement. Frequency of tests shall be:

1. As specified by the Engineer.
2. Any time when there is a change in either the chemical or physical properties of the cement.

Copies of the test results supplied by the manufacturer of the cement will be sufficient, providing that they are certified.

One copy of the report shall be submitted within 5 days to the City Engineer and one copy to the supplier of the ready-mix concrete.

06005-6 WATER

All water used for concrete shall be clean and free from injurious amounts of acid, oil, alkali, organic matter or other deleterious substances.

06005-7 CONCRETE PROPORTIONS AND CONSISTENCY

The proportions of aggregates to cement for concrete shall be such as to produce a mixture which will work readily into the corners and angles of the forms without permitting the materials to segregate or excess free water to collect on the surface. The quantity of water used shall be the minimum necessary to produce workable concrete.

The consistency of the concrete shall be such that the slump shall not exceed 70 mm or be less than 25 mm for hand placed concrete, and less than 25 mm for extruders when tested by the "Standard Method of Slump Test for consistency of Portland Cement Concrete" as described in C.S.A. A23.2-5C. Non-compliance with the slump specified shall constitute sufficient ground for rejection of the concrete.

06005-8 MIXING OF CONCRETE

The mixing of concrete shall be done in an approved type of mixer which shall ensure a uniform distribution of materials throughout the mass so that the mixture is homogeneous and uniform in colour. The entire contents of the mixing drum shall be discharged before recharging and the drum shall be thoroughly cleaned at frequent intervals. The volume for the mixed material, per batch, shall not exceed the manufacturer's rated capacity of the mixer. The mixing of each batch shall continue for not less than 2 minutes after all the materials (including the water) are in the mixer, at the manufacturer's recommended speed.

Ready-mixed or/and transit mix concrete shall conform in every respect to all specifications herein contained and with the "Standard Specifications for Ready-Mixed Concrete" as described in C.S.A. specifications and shall further be subject to any additional written directions that the Engineer may deem necessary to ensure the obtaining of concrete of the quality specified.

06005-9 FLYASH

Flyash shall not be used in concrete unless the mix design containing flyash has been approved in writing by the Engineer.

As a mineral admixture, flyash shall conform to C.S.A. specification. The material shall be sampled and tested by an independent testing laboratory and copies of the test results shall be submitted to the Engineer for approval.

Flyash shall not replace more than 20% by mass of cement in the concrete. The use of flyash will not be permitted in concrete placed after September 30 each year unless approval is given by the Engineer.

06005-10 ACCELERATING ADMIXTURES

Accelerating admixtures may only be used in non-reinforced concrete with the approval of the Engineer.

The quantity accelerating admixtures shall be approved by the Engineer but at no time shall exceed 2% by weight of cement. Accelerating admixtures shall be used in the concrete when the air temperature is below 5° C or at the discretion of the Engineer.

06005-11 WINTER SERVICE AND SULPHATE RESISTANCE

The Contractor shall submit additional unit prices per cubic metre for:

- a) Heating concrete during cold weather construction.
- b) Providing sulphate resistant - Type HS/HSb cement.
- c) High early strength - Type HE cement.

06005-12 TESTS ON CONCRETE

During the progress of work, test cylinders will be taken to determine the quality of the concrete. There shall be a minimum of one test per 60 m³. Concrete tests will be done by a Testing Laboratory appointed by the Engineer and paid for by the City of Saskatoon unless otherwise specified. The following tests will be carried out:

1. Slump Test, as per Section 06005-7 of this Specification.
2. Air-Entraining Test, as per Section 06005-9 of this Specification.
3. Concrete Compressive Strength (set of 3 test cylinders). One test cylinder will be broken at 7 days and two test cylinders will be broken at 28 days.

The Contractor shall provide, at his own expense, materials and facilities as the Engineer may require for carrying out the above mentioned tests.

The fresh concrete will be sampled in accordance with C.S.A. Specification.

Concrete with a slump greater than 75 mm shall be rodded. Concrete with slump of 25 mm to 75 mm may be rodded or vibrated. Concrete with slump of less than 25 mm shall be consolidated by vibration.

The concrete supplied shall have a basic minimum specified compressive strength at 28 days. The average of the 2 cylinders of any single test broken at 28 days shall be equal to or greater than the specified strength at 28 days.

Concrete compressive strengths are expressed in the metric designation of megapascals (MPa). The following standard compressive strengths are to be provided as requested: 20.0 MPa, 25.0 MPa, 30.0 MPa, 32.0 MPa, 35.0 MPa.

Cores

The length of concrete cores shall be measured in accordance with the current C.S.A. Specification.

06005-13 MIX DESIGN, TESTING AND DELETERIOUS MATERIALS

Concrete shall meet CSA specifications unless otherwise specified. Concrete mix properties shall conform to exposure classification C-2 and air content is summarized as follows:

1. Minimum specified 28-day compressive strength: 32 MPa
2. Maximum W/C ratio: 0.45
3. Air content: 5% to 8% (20 mm aggregate)

The minimum Portland cement content shall be 285 kg/m³ with a total minimum cementitious content of 330 kg/m³.

Contrary to CSA, the time requirement for casting cylinders will be within 60 minutes from the time of sampling. All testing for slump, air content, and sample for casting cylinders will be done immediately after the first metre of concrete is removed from the concrete truck. Also, contrary to CSA, retempering of concrete to add air entrainment will only be considered for the first truck tested. Following a low air test the City will initiate another concrete test on the next load. The Contractor will be charged for the second concrete test.

In addition to the mix design testing requirements set out in Section 06005 - Ready Mixed Concrete, the Contractor shall provide the following information:

1. A legal description for the location of the source pits for the aggregates used in this contract.
2. A linear traverse, as per ASTM Standard C457, showing size and spacing of air bubbles entrained in the concrete.
3. Petrographic analysis as per ASTM Standard Practice C295.

ADDITIONAL DELETERIOUS REQUIREMENTS

In addition to the deleterious requirements contained in Clause 5.6 of CSA-A23.1-94, the following limits shall apply when the aggregate is tested in accordance with ASTM Standard Practice C295.

Deleterious Substance	Maximum Percent by Mass of Total Sample	
	Fine Aggregate	Coarse Aggregate
Siliceous Shalestone (1)	1.0	0.5
Ironstone (2)	1.5	1.0
Chert (3)	2.0	2.0
Other Deleterious (4)	7.0	3.0

Materials above are defined as follows for the purposes of these specifications:

1. **SILICEOUS SHALESTONE** - light to medium grey, or greenish grey shale generally exhibiting a platy shape. The material absorbs water readily, and turns dark grey, dark green or black on wetting. The shalestone is composed of varying amounts of opal, clay materials and fine quartz grains.

2. IRONSTONE - derived from clay ironstone concretions which consist of a relatively hard, dark brown outer shell of limonite and clay surrounding a relatively soft, brown or grey core of siderite and clay. The material has a high absorption.
3. CHERT - this chert category also includes cherty limestones and cherty claystones. The rocks are generally dense and hard but contain varying amounts of potentially reactive chalcedony.
4. OTHER DELETERIOUS - physically weak and/or absorptive rocks such as sandstones, siltstones, argillaceous or deeply weathered carbonate, friable or weathered schists or gneisses.

All petrographic examination on fine and coarse aggregates for concrete must be done on material sampled in the year that the concrete is being placed, unless the following information about the concrete aggregate production is provided to the project engineer:

1. a summary of all test results for sieves sampled at a rate of a minimum of one test per 2,000 tonnes.
2. a petrographic analysis at a rate of a minimum of one analysis for coarse and one for fine aggregate based on a random sample taken during the production of the first 3,000 tonnes. If the first set of petrographic analysis detects no deleterious materials within the specified limits, a random sample taken during each 3,000 tonnes of production shall be recombined and split to produce a representative sample of the concrete aggregate produced. A petrographic analysis for fine and coarse aggregate shall be performed on this aggregate sample.

3. a summary test results for percentage of lightweight aggregates at a frequency of a minimum of one test every 5000 tonnes.
4. the production date of the aggregate stockpile and the estimated current quantity in the stockpile.
5. the location of the gravel pit where the aggregate was produced and the location of the stockpile in the pit area.

06005-14 AIR-ENTRAINING ADMIXTURES

An approved air-entraining agent shall be used in all concrete and shall comply with the "Specifications for Air-Entraining Admixtures for Concrete" as described in C.S.A. specifications and used in strict accordance with the manufacturer's recommendations. The Contractor shall submit a letter, at least 7 days prior to construction, to the Engineer certifying that the air-entraining agent to be used meets the C.S.A. requirements.

The air-entrainment limits shall be between 5 to 8 percent by volume as determined in accordance with C.S.A. - A 23.2-4C.

06005-15 PAYMENT REDUCTION FOR LOW AIR ENTRAINMENT

Reduction of payment for air entrainment below the minimum specified value shall be calculated and applied as follows:

Air Entrainment Payment Adjustment Factors;

<u>Air Entrainment</u>	<u>Payment</u>
5.0% - 8.0%	100%
4.5% - 4.9%	95%
4.0% - 4.4%	75%
3.5% - 3.9%	30%
less than 3.5% or greater than 8%	No Payment. Concrete must be Removed. No Payment for Concrete Removed.

The first concrete test will be taken after the first cubic metre has been removed from the truck. This test result will represent all of the concrete from that truck and all concrete placed in this location until the next test.

Any additional tests for air entrainment done on this truck load shall be at the request of the Contractor and shall be at the expense of the Contractor. The result of this concrete test plus any additional tests on that load shall be averaged and used as the basis for payment. If the test results for the air entrainment do not meet specifications, the Contractor may make adjustments at the plant or request further air entrainment in the field. The cost of any additional tests shall be the responsibility of the Contractor.

06005-16 PAYMENT REDUCTIONS FOR LOW STRENGTH CONCRETE

When the average 28 day compressive strength is less than 5.0 MPa below the specified strength, the price paid for the work performed will be; the contract unit price multiplied by the average strength, divided by the specified strength.

Example:

Contract unit price \$12.00. Specified strength 32 MPa.

Average measured 28 day compressive strength of 28 MPa.

New unit price payable to Contractor = $\$12.00 \times \frac{28}{32} = \10.50

When the average 28 day compressive strength of the test cylinders is more than 5.0 MPa below but less than 7 MPa below the specified strength, the price paid for the work performed will be 50% of the contract unit price. The Contractor shall be responsible for maintenance of the work as outlined in Section 00700-17 of the General Conditions.

When the average 28 day compressive strength of the test cylinders is 7 MPa or more below the specified strength, the work shall be replaced at the expense of the Contractor.

The limits of work included in the price reduction or replacement shall be the entire construction represented by the low test(s), but shall not exceed a volume of 60 m³ of concrete produced in any one day.

END OF SPECIFICATION 06005

INDEX

06010- 1	GENERAL DESCRIPTION OF WORK	3
06010- 2	CONSTRUCTION WITH EXTRUDING EQUIPMENT	3
06010- 3	OPENINGS AND ALTERATIONS	6
06010- 4	METHOD OF REMOVING SIDEWALK AND CURB.....	7
06010- 5	FORMS	9
06010- 6	LEVELLING COURSE	10
06010- 7	PLACING OF CONCRETE.....	10
06010- 8	SCREEDS AND TEMPLATES	12
06010- 9	EPOXY - COATED STEEL DOWELS	13
06010-10	EXPANSION JOINTS	13
06010-11	CURB RETURNS.....	14
06010-12	ROLLED CURB AND GUTTER AT CORNERS.....	14
06010-13	SIDEWALK, CURB AND GUTTER CROSSING CROSS-SECTIONS	15
06010-14	FINISH OF SIDEWALK, CURB AND GUTTER.....	15
06010-15	LANE AND DRIVEWAY CROSSING.....	16
06010-16	PRIVATE DRIVEWAYS AND SIDEWALKS.....	17
06010-17	RECONSTRUCTION OF PRIVATE SIDEWALKS, STEPS AND DRIVEWAYS	17
06010-18	SIDEWALK CONSTRUCTION ADJACENT TO BUILDINGS.....	17
06010-19	METHOD OF CONSTRUCTION CENTRE MEDIANS AT TURNING BAYS ...	18
06010-20	SIDEWALK RAMPS.....	18
06010-21	BORROW AREAS, COAL CHUTES AND EXISTING OPENINGS	18

06010-22	CURING COMPOUNDS.....	19
06010-23	PROTECTION.....	19
06010-24	CONCRETING IN SUB-NORMAL CONDITIONS.....	20
06010-25	CONSTRUCTION RECORD IMPRINTS.....	21
06010-26	20 MPa LEAN CONCRETE.....	21
06010-27	CONSTRUCTION AND MODIFICATIONS TO CATCH BASINS.....	22
06010-28	ADJUSTING CURB BOXES.....	23
06010-29	SALVAGE MATERIAL.....	23
06010-30	BACKFILL.....	23
06010-31	BOULEVARD.....	24
06010-32	PROGRESS OF WORK.....	25
06010-33	COMPLETION OF WORK.....	25
06010-34	MEASUREMENT.....	25
06010-35	PAYMENT.....	27

06010-1 GENERAL DESCRIPTION OF WORK

The Contractor shall provide all labour, plant, equipment and material together with all proper and required facilities for the construction in an expeditious manner of sidewalks, curbs and other related work all in accordance with the Contract Documents and detail drawings.

06010-2 CONSTRUCTION WITH EXTRUDING EQUIPMENT

2.1 Concrete Extruding Equipment

Slip-form concrete extruding machines may be used for placing concrete provided they meet the following:

1. The machine is one of the well known models with a proven performance record.
2. The use of the machine has received approval of the Engineer prior to commencement of any work.
3. The machine is to be operated by an experienced operator.
4. Vibrators on the equipment shall be adequate to produce a dense mass with a smooth surface free of honeycombing.
5. The equipment shall include automatic grade and line control

6. Should the machine be of a type where the trimmer and extruder are one unit, it is essential that no deleterious material from the trimmer affect the quality of the concrete.
7. All moulds used in producing the required extruded sections must be in metric dimensions, having a longitudinal deep cut tool mounted in the proper location at a depth of 50 mm and width 10 mm.
8. Any deviation from the specifications shall be approved by the City Engineer in writing.

2.2 Continuity of Work

Whenever possible, the forming and placing of concrete by conventional methods that may be required to complete corners, catch basins, driveways, crossings and other work, shall be carried out before the concrete's initial set time in conjunction with the extruding machine.

When this procedure is not followed, the completion shall be done within 5 days after the adjacent extruded section is completed.

Workmanship for both the slip-form and conventional method shall be equal quality.

2.3 Retempering Concrete

Concrete arriving on the job site shall not be retempered if test values are within specification at the time of delivery.

The addition of water to the mix when the truck arrives on the job shall be permitted provided the following conditions are met:

1. Upon arrival at the job site, the slump is less than that required in the specifications.
2. The water shall be injected into the mixer under such pressure and directions that uniformity of mix will result.
3. The slump after re-tempering shall not exceed the specified limit.
4. Mixing time after the water has been added shall not be less than 3 minutes at mixing speed.
5. The on-site additions of air entrainment agent or admixtures shall be permitted as indicated in Section 06005-15.

Retempering concrete shall not be permitted without approval of a COS representative and a testing consultant on site.

2.4 Tolerances and Enforcement

- 2.4.1** Straight Edge - All exposed concrete surfaces shall be checked by the Contractor with a 3 m straight edge and any water pockets or deviations in line or grade exceeding 6 mm shall be corrected immediately.
- 2.4.2** Elevation - Differences in elevation at any given point from that given on the survey stakes shall not exceed ± 10 mm and the maximum variation from the given elevation between two consecutive stakes shall not be greater than 10 mm.

- 2.4.3 Alignment - Deviations in alignment at any given point from that given on the survey stakes shall not exceed 25 mm in a 30 m section.
- 2.4.4 Crossfall - The crossfall shall not vary more than 5 mm per metre of walk width from that specified or shown on the drawings.
- 2.4.5 Dimensions - Thicknesses and widths of extruded structures shall meet the dimensions shown on the drawings.

Sidewalk or curb not meeting the above criteria shall be replaced. If in the opinion of the Engineer it is not practical to remove and replace the concrete then a reduced payment may be substituted. This payment will be at a percentage of the bid price as detailed in the "Payment" section.

06010-3 OPENINGS AND ALTERATIONS

When the Engineer or Owner of a utility requires to make alterations to underground services, poles, hydrants, valves, curb boxes, catch basins and other structures, the Contractor shall leave openings in the sidewalk or curb to facilitate these alterations. The length of such openings shall be determined by the Engineer but generally 3 m shall be left open. Such openings shall be initially backfilled with gravel to make the sidewalk safe for public use. In the event that the Contractor fails to leave such openings as required, the Contractor shall, at his own expense, be responsible for making these openings. After alterations have been completed, the Contractor will close the opening with the proper structure.

For catch basins, the Contractor shall be responsible for leaving openings as determined by the Engineer. These openings shall be well framed and shall be 3 m in length. It is essential that all openings to be left for catch basins are to be in line with the existing catch basin lead or as directed by the Engineer. All openings left for catch basins shall be filled by the Contractor within a period of 5 days.

Where additional concrete is to be placed at a later date, such as at the end of a block, curb returns or openings, 10M reinforcing steel dowels, 250 mm long shall be installed. Two dowels are to be installed along the curb and one every 300 mm on centre along the sidewalk. Supplying and installing the dowels shall be the Contractor's responsibility.

The Contractor shall accommodate cross drains in the sidewalk or curb. Material required for cross drains will be supplied by the City. When required, the City will hire a plumber to make proper roof drain connections.

06010-4 METHOD OF REMOVING SIDEWALK AND CURB

Unless a clean, straight break already exists along a joint, the ends of the concrete to be removed shall be cut with a concrete saw. The cut shall be of sufficient depth to permit removal without damage to the remaining structure.

During the removal of existing sidewalk, the Contractor shall carefully remove the concrete around existing utilities, services, structures, sign posts, parking meter posts, private sidewalks, driveways, buildings and building entrances. Any damage incurred shall be repaired at the Contractor's expense to the satisfaction of the Engineer.

In removing sidewalk or curb, the Contractor shall only use equipment that will not damage the existing finished roadway surface.

When monolithic curb and gutter is removed, and replaced with vertical curb, the Contractor will be responsible for roadway damage beyond the gutter width. In other areas, the maximum permissible road surface removed shall not be more than 200 mm from the face of the construction. For pavement removal, the Contractor shall use a pavement cutter and have a neat vertical cut. Cuts of greater width shall be repaired at the Contractor's expense.

Sidewalk, curb and pavement removed shall be hauled to the disposal site within 24 hours after removal. No payment will be made for overhaul.

Where the existing curb and asphalt walk is to be reconstructed, the Contractor will be paid for curb removal only. Asphalt walk will be considered as common excavation.

Where existing curb is to be reconstructed only and the asphalt walk is to remain, the Contractor shall be permitted to remove a maximum of 300 mm of asphalt walk. The Contractor shall be responsible to cut the asphalt walk and compact the curb backfill. Work of this nature shall be included in the unit price for curb construction.

Where pavement is required to be removed before construction proceeds and when approved for removal by the Engineer, the Contractor shall carefully cut and remove asphalt within the bounds set by the Engineer and haul it to an area designated for this type of material. Should an excess amount be removed outside the boundary set for removal, it will be replaced by the City crews and all charges shall be paid by the Contractor.

06010-5 **FORMS**

For sidewalk reconstruction, if the buildings have a sidewalk ledge or have reinforcing rods protruding from the foundation of the buildings into the old sidewalk, the new sidewalk shall be constructed in one section from the building wall to the curb face.

The Contractor shall be responsible to ensure that there is positive slope on the sidewalk from the building towards the roadway. The normal slope is 30 mm per metre. Any slope less than 20 mm per metre shall be approved by the Engineer before the concrete is placed.

The forms used for each type of construction shall be the same as the dimensions on the drawings. The forms shall be of metal or 40 mm properly-seasoned lumber. They shall be free from warps or other defects and shall have smooth, clean surface adjacent to the concrete. The forms shall be thoroughly cleaned and oiled before any concrete is deposited within them.

The forms shall be well staked, braced and held rigidly to the established line and grade to enable the use of mechanical concrete vibrators and vibrator screeds when placing concrete for curb and sidewalk construction.

Any forms which have lost their shape or dimensions or where surfaces have become dented or rough shall not be used. The Engineer may at any time condemn the forms he considers unsatisfactory to secure the proper quality of work. Inferior workmanship, as a result of poor forming shall be replaced at the cost of the Contractor.

06010-6 **LEVELLING COURSE**

The levelling course shall consist of base aggregate meeting the requirements of Division 2, Section 02060-2.2. For fills of less than 30 mm, a smaller sized well-graded aggregate may be substituted after the Engineer has approved the sieve analysis of the material.

The levelling course shall be supplied by the Contractor and compacted to not less than 98% of the Standard Proctor Density for the material. The levelling course shall be used on all hand work.

06010-7 **PLACING OF CONCRETE**

Placing of concrete will be permitted when the compacted levelling course meets the following requirements:

- (a) The levelling course is within ± 6 mm from the design elevation.
- (b) The minimum concrete depth shall be 115 mm for separate sidewalk, and sidewalk with combined curb and gutter; 125 mm for sidewalk with rolled curb and gutter; 180 mm for crossings.

No concrete shall be placed before the Engineer has inspected the subgrade or levelling course and approved the same, and the inspection shall take place immediately prior to the placing of the concrete.

The work shall be performed in a manner which results in a curb, sidewalk, combined curb and sidewalk or rolled curb and sidewalk constructed to specified line and grade, uniform in appearance and structurally sound. When checked with a 3 m straight

edge, the finished surface shall not deviate more than 6 mm and the alignment shall not vary more than 6 mm. The rolled curb, gutter and sidewalk finished profile when checked with a template, shall not deviate more than 6 mm.

The minimum compressive strength of the concrete shall be 32.0 MPa at 28 days. Placing of concrete shall be a continuous operation until the section, panel or scheduled pour is completed. The rate of delivery of the mixed concrete shall be such that the interval between placing successive batches shall not exceed 30 minutes, unless the last load completed the work to a proper construction joint. The lapse of time between the introducing of mixing water to the cement and the aggregates and depositing concrete in the work, shall not exceed 90 minutes.

The material on which concrete is to be laid must be moistened with potable water immediately preceding concrete extruding.

The point of delivery of concrete shall be as close to the work as possible and in no case more than 1 m from the point of final deposit in the horizontal and vertical direction. Re-handling of concrete will not be permitted.

Concrete shall be deposited in a manner to prevent segregation of the aggregate. Special care shall be taken in placing concrete to prevent voids, pockets, rough areas and honeycombing. The concrete shall be tamped by using mechanical concrete vibrators or vibrator screed in such a manner as to work the coarse aggregate away from the forms and exposed surfaces. Vibrators or vibrator screeds used in placing concrete shall have a minimum of 5,000 cycles per minute. The vibrator screed shall be used in accordance with the manufacturer's recommendations. Special care shall be taken to prevent over-vibration of the concrete to eliminate concrete bleeding. In combined curb and sidewalk, or curb, the curb and sidewalk crossings portion shall be vibrated by a concrete vibrator.

In rolled curb and sidewalk construction, a steel vibrating screed having the required cross-section shall be used. The rolled curb mold shall be of sufficient longitudinal length to vibrate and compact the plastic concrete to a proper cross-section.

Excess Concrete - All waste concrete including that which is pushed out from the ends of the mould at the front or back of the sidewalk and curb during construction must be removed from the site.

Transit mixers shall not be washed out on any improved roadway.

06010-8 SCREEDS AND TEMPLATES

The Contractor shall make and use any templates or screeds that may be required by the Engineer to control construction procedures and methods.

Screeds shall be of rigid construction and equipped with suitable handles. Templates may be of ply board or metal construction. Adjustable screeds and templates will not be permitted. Damaged, bent or worn templates and screeds shall be replaced. An adequate number of replacement screeds and templates shall be maintained.

All screeds and templates shall be checked and approved by the Engineer.

After the forms are set to grade, the correct screed shall be used to check the subgrade elevation to ensure the proper thickness of sand or granular levelling course and concrete. When the subgrade preparation is approved, the Contractor will be permitted to place and compact the levelling which will give the required sidewalk thickness. Thereafter, the back of the sidewalk form shall be checked for final grade and alignment. The sidewalk cross-fall and face of curb slope shall be checked with a level every 8 m.

After the forms are adjusted to final grade alignment, the final elevation of the levelling course shall be checked with a screed.

06010-9 EPOXY - COATED STEEL DOWELS

Where required by the Engineer, sidewalks must be reinforced in accordance with the drawing provided.

Reinforcing must be 10M epoxy-coated deformed bars of the length shown on the drawings.

This will include drilling a hole of suitable size in existing concrete to accept installation of a minimum of 100 mm of dowel.

Bar reinforcing must meet A.S.T.M. A184 and A.S.T.M. A304 intermediate grade new billet deformed steel.

06010-10 EXPANSION JOINTS

Expansion joints will not be used in the construction of sidewalks, curbs and gutters unless specified by the Engineer.

Where expansion joints are requested, the Contractor will supply the material and install the expansion joints. Supply and installation will be included in the unit price of the sidewalk or curb.

The expansion joint shall extend completely through the slab and shall be perpendicular and at right angles to the general direction of the sidewalks and curb.

The expansion joint shall be placed 3 mm below the sidewalk level. The edges shall be rounded off to a 6 mm radius or as approved by the Engineer.

Where utility poles, hydrants or other services require openings left in the sidewalk, the open space shall be formed and left open with the pour of the sidewalk. After the sidewalk has set, the forms will be removed from the opening, expansion material placed on all four sides, the opening filled with concrete and broom finished by the Contractor. This work is to be included in the unit price for sidewalks and curb.

06010-11 CURB RETURNS

In general, a standard 8 m radius curb return will be used where practical and possible, but the Engineer may change the radius to meet field requirements.

The end of the curb return shall be constructed to grade and form a smooth curve. The length of return constructed shall be determined by the Engineer.

Curb returns shall be poured simultaneously with the separate curb and gutter or combined sidewalk and curb and gutter. Payment will not be made for any work where curb returns are not completed.

06010-12 ROLLED CURB AND GUTTER AT CORNERS

Rolled curb and gutter at corners may be machine poured, providing that an acceptable corner can be extruded. Should the corners require to be hand formed and poured, payment will be made at unit tender prices for the rolled curb and gutter.

06010-13 SIDEWALK, CURB AND GUTTER CROSSING CROSS-SECTIONS

The Contractor shall construct the standard sidewalk, curb and gutter crossings and the rolled curb and gutter sidewalk to dimensions and slopes as indicated on the appropriate plans.

06010-14 FINISH OF SIDEWALK, CURB AND GUTTER

The sidewalk surface shall be levelled with a concrete vibrator screed. Special care shall be taken to prevent over-vibration of the concrete and in no case shall an excess amount of water be brought to the surface.

After the concrete has sufficiently set to permit further finishing without concrete bleeding, the surface shall be brought to a true surface with a wood float. The surface shall be marked as shown on drawings using approved tools. After marking, the surface shall be trowelled smooth with a steel trowel and a uniform brush finish applied with a soft-bristled push broom to the satisfaction of the Engineer.

After the initial concrete set, the curb form shall be removed and the exposed surface of the curb shall be worked to a true surface, trowelled smooth and then given a uniform brush finish to a depth of 200 mm from the top of the curb.

The sidewalk to be constructed shall have a contraction joint every 1.5 m. In commercial or industrial areas where the sidewalk is over 3 m wide, the sidewalk shall be divided into square blocks of approximately 1.5 m. Where other features make a different type of division desirable, the sidewalk divisions shall be laid out as directed by the Engineer. Each separate block shall be marked on all edges with an approved

marking tool that will round off the edges to a radius of 6 mm. The edges of the walk and all dividing lines shall be rigidly straight. Warped lines and ragged edges will not be permitted.

In combined sidewalk, curb and gutter or curb and gutter construction, the top face of curb shall be rounded off to a radius of 25 mm. In separate curb and gutter, the top back of curb shall be rounded off to a radius of 6 mm. For separate curb and gutter, contraction joints shall be constructed every 1.5 m. All sidewalk and curb markings and contraction joints shall be no less than 25 mm deep, no more than 10 mm in width and have a 6 mm radius finish. Longitudinal contraction joints shall be no less than 35 mm deep, 10 mm wide with a 6 mm radius finish. When the joint or marking is finished, it shall have a dense, tight concrete finish.

Any substandard construction or finish shall be corrected before the initial concrete set. Patching thereafter will not be permitted and repairs shall be made by the Contractor by replacing all damaged work to the extent requested by the Engineer.

06010-15 LANE AND DRIVEWAY CROSSING

Sidewalk crossing shall have a concrete slab 180 mm thick and the crossing wing shall have concrete thickness increasing from 125 mm to 180 mm or as indicated on plans. Single family dwellings shall have a concrete slab 125 mm thick. The crossings and curb returns shall be constructed and marked as shown on the attached sidewalk plans. The crossings shall be constructed by the Contractor for the locations and width as shown on the plans or staked in the field.

06010-16 PRIVATE DRIVEWAYS AND SIDEWALKS

During sidewalk or curb construction, the Contractor shall be responsible for any damage to private sidewalks and driveways. When modifications are required to private driveways and sidewalks, the Contractor shall carry out the required work at applicable tender prices.

06010-17 RECONSTRUCTION OF PRIVATE SIDEWALKS, STEPS AND DRIVEWAYS

Under this Contract, any work associated with making modifications or repairs to private concrete sidewalks, curb and driveways shall be carried out at applicable contract prices, within a period of 5 days.

Payment for construction of steps will be on Force Account basis.

06010-18 SIDEWALK CONSTRUCTION ADJACENT TO BUILDINGS

Where sidewalk is being constructed adjacent to buildings, the sidewalk shall be poured as one piece from the curb to the building.

06010-19 METHOD OF CONSTRUCTION CENTRE MEDIANS AT TURNING BAYS

Along centre median roadways, where the median has a total width of less than 2 m, the slab shall be poured monolithically with the curb and gutter, or rebar shall be placed every 500 mm at back of curb to hold slab from settling.

06010-20 SIDEWALK RAMPS

Sidewalk ramps shall be constructed as shown on the plans or as staked in the field. The Contractor must pour the ramps at the time of the sidewalk construction.

06010-21 BORROW AREAS, COAL CHUTES AND EXISTING OPENINGS

Any additional work involved over normal sidewalk reconstruction regarding coal chutes and various other openings that require to be reconstructed, modified or backfilled shall be carried out under unit bid prices where applicable or on "Force Account" basis. Under most circumstances, the work of this nature will be carried out at the expense of the Property Owner or the Property Owner may carry out the required alterations.

Complete reconstruction of borrow areas (area that forms part of the building's basement and extends under the sidewalk) will not be part of the Contract. Work of this nature will be negotiated by the Engineer with the Property Owner to have the area reconstructed.

However, if the borrow area is structurally sound and the top is poured in two separate lifts, the Contractor will be responsible to reconstruct the sidewalk. If the top lift is less than 100 mm, the Contractor shall apply an epoxy adhesive as recommended by the manufacturer on the old concrete. A special fine mix concrete shall be used when requested by the Engineer. Work of this description shall be carried out by the Contractor under unit bid prices.

06010-22 CURING COMPOUNDS

Curing compound will be supplied by the Contractor and will be in accordance with the City of Saskatoon Specifications for Curing Compound.

The curing compound shall be applied at the rate of 0.166 litres per square metre or 1 litre per 6 square metres unless otherwise recommended by the manufacturer. The curing compound shall be applied immediately after the surface has been finished and broomed. The compound shall be applied with a pressure sprayer distributor so that the concrete surface is completely coated and sealed in one application.

The Contractor will be responsible to provide a means of checking application rate of curing compound used on any specific site at the request of the Engineer or his representative.

06010-23 PROTECTION

Concrete walk shall be allowed to set a minimum of 24 hours before pedestrian traffic is permitted. Commercial and industrial lane crossings shall be barricaded for 7 days from vehicle traffic and 5 days for residential crossings. Any work damaged within the time period specified shall be replaced at the Contractor's expense.

06010-24 **CONCRETING IN SUB-NORMAL CONDITIONS**

During cold weather concrete shall not be placed when the ground temperature is less than 2°C. Freshly placed concrete shall be adequately covered and protected or heated to maintain a minimum **air** temperature of 5° C for 36 **hours under the concrete cover**. Covering is to be maintained for 72 hours. The cost of all heating and protection shall be borne by the Contractor.

Concrete that does not meet the minimum temperature requirements shall be replaced at the Contractor's expense. All concrete pouring shall be terminated on or before October 31st, unless written permission is received from the Engineer.

During hot weather, with low relative humidity and gusting winds, the Engineer shall have the right to terminate the concrete pour to prevent plastic shrinkage cracking of the sidewalk. A moisture loss of 0.5 litres/square metre/hour shall be considered such grounds as to terminate the pour (determined from the Portland Cement Association rate of moisture loss graph). If the Contractor continues to pour concrete after the said termination he shall be held responsible for any cracking which appears within a 2 year warranty period and replacement of the sidewalk shall be at his cost.

Before a concrete set-retarder is used, the Contractor shall submit a letter certifying that the set-retarder meets the A.S.T.M. standards and shall be used in accordance with the manufacturer's recommendation.

The Contractor shall limit the amount of sidewalk or curb poured during hot weather to enable the work to be finished to the satisfaction of the Engineer. Protective cover material shall be maintained and used as required to prevent the concrete from setting too quickly. The Engineer may terminate the concrete pour at any time during hot weather if the concrete sets up too quickly. Surface wetting will not be permitted during finishing.

Whenever deemed necessary by the Contractor and approved by the Engineer, the Contractor may detour traffic from a street when dust caused by local traffic has become injurious to the sidewalk finish. No concrete shall be poured when the wind blows dust on the fresh concrete and any poured previously shall be covered. The Contractor shall maintain on the job sufficient canvas, plastic or other suitable covering to protect the concrete from rain, dust or other adverse weather conditions.

06010-25 CONSTRUCTION RECORD IMPRINTS

Each block or portion of block of sidewalk constructed shall be marked at each end with a suitable tool showing legibly the name of the Contractor and year of construction.

Curb box locations are to be marked at right angles along the back of sidewalk. Imprint is to be 200 mm from the back of sidewalk and have initials C.C. (curb connection).

06010-26 20 MPa LEAN CONCRETE

During sidewalk or curb reconstruction along paved streets, the Contractor shall

provide concrete backfill in the pavement area removed along the gutter. The existing pavement edge shall be cut straight and be free from dirt or broken edges. Refer to City of Saskatoon Standard Drawing 102-0002-049 available on the City's web site.

The base shall consist of a minimum of 150 mm of well compacted gravel base. The concrete thickness shall be 115 mm. The concrete backfill shall be vibrated mechanically and placed 1 day after the curb pour. In residential streets, the concrete gutter shall be barricaded for 3 days, and barricade for 5 days along heavy traffic routes.

The concrete backfill used shall have a minimum strength of 20.0 MPa in 28 days and shall meet all other requirements as specified in this specification.

06010-27 CONSTRUCTION AND MODIFICATIONS TO CATCH BASINS

Catch basin construction and modifications to existing catch basins shall be completed within 7 days after completion of the sidewalk or curb.

To facilitate catch basin construction after the curb or sidewalk has been poured, a 3 metre length shall be left open.

To prevent vertical or horizontal displacement of the curb or sidewalk, 10M epoxy-coated reinforcing bars, 250 mm long shall be installed, two along the curb and one every 300 mm on center along the sidewalk. Supplying and installing of the reinforcing bars shall be included in the cost of catch basins construction. The catch basin frame shall be sloped to match gutters.

06010-28 ADJUSTING CURB BOXES

Should the curb box fall within 0.5 m from the back of the sidewalk, or within the sidewalk and require to be adjusted in elevation to facilitate the extruder, the Contractor will be paid the tender unit price.

The adjustment of the curb box shall be performed by a qualified person and under supervision of an inspector. The curb box shall be adjusted to 150mm below back of the walk.

A record for payment purposes, specifying the location and number adjusted shall be submitted by the Contractor the following day.

06010-29 SALVAGE MATERIAL

All salvaged material being a result of work done under this Contract shall be returned to the designated disposal site.

06010-30 BACKFILL

When excavation or grade preparation is done by the sidewalk contractor, the Contractor shall arrange to supply backfill material at his cost, from surplus excavation material encountered in the work. If backfill is brought in by the City, the Contractor shall be responsible for cleaning up any excess backfill supplied to him.

All backfill for sidewalk, combined sidewalk or curb and gutter must be at a slope of 3%. Any slope greater than 3% must be approved by the Engineer. The backfill must start from the top of the walk or curb and meet the existing ground elevations within the street right-of-way (unless otherwise directed by the Engineer).

The backfill must be compacted to a density of not less than 98% of Standard Proctor Density. Material used for backfill must be a soil substantially free from any granular material.

Backfill for lane crossings or private driveways must be at a slope of 1:10 or flatter. A slope greater than 1:10 must be approved by the Engineer. Backfill for lane crossings shall be base gravel or material approved by the Engineer. The curb on reconstruction shall be backfilled with base gravel to adequately ensure safe parallel parking adjacent to the curb and to provide positive drainage.

Backfill operations must be completed not later than 5 days, but not before 1 day after the completion of the curb or sidewalk. If backfilling is not carried out within 5 days, the Engineer may hire equipment and labour to carry out the required work at the expense of the Contractor.

Any curb that has moved within a period of one year after construction due to poor compaction or not enough backfill material placed, shall be replaced by the Contractor at his expense. Re-alignment of the curb by a jacking procedure will not be permitted unless approved by the Engineer.

06010-31 BOULEVARD

Improvements shall be carried out in accordance with Boulevard Construction (Specification 13055).

When construction is carried out adjacent to an improved boulevard, a maximum of 150 mm will be permitted to be removed beyond the curb or sidewalk. Boulevard removed beyond this limit shall be restored at the Contractor's expense. Topsoil will be used for backfill.

06010-32 PROGRESS OF WORK

The Contractor shall carry out the work in accordance with an approved program as outlined by the Engineer. Whenever the progress of construction is unsatisfactory, the Contractor shall increase the working force when requested by the Engineer.

06010-33 COMPLETION OF WORK

Sidewalk, curb and gutter, catch basins, backfilling and clean up will be considered as one unit. Should the Contractor be required to construct new catch basins or modify the existing catch basins, this work shall be completed within 5 days after the completion of the sidewalk or curb. Similarly, the backfilling shall be completed within 5 days. If the work including clean up is not completed within the specified time, payment for the entire block of sidewalk or curb, boulevard and catch basin construction will be withheld from the monthly progress estimate.

06010-34 MEASUREMENT

34.1 Combined sidewalk, curb and gutter, and combined sidewalk and curb will be measured on the center line of the structure in lineal metres.

34.2 Separate curb and gutter, and separate curb will be measured along the face of the curb in lineal metres.

34.3 Concrete walkway 1500 mm wide will be measured in lineal metres which shall include topsoil backfill 115 mm deep and 1500 mm wide.

- 34.4** Variable width concrete sidewalk, median slab and sidewalk crossing will be measured in square metres. Crossing areas are based on the length of the crossing (excluding the two wings) and the overall width including any combined curb and gutter.
- 34.5** Mountable median tip will be measured by each complete unit of median slab, curb and gutter extending from the end of the tip to 2 m beyond the radius point (R.P.).
- 34.6** Sidewalk ramp measurement will be by the number of complete units.
- 34.7** Concrete removal will be measured and calculated as per bid items.
- 34.8** 10 M epoxy-coated dowels will be measured by the number of dowels installed.
- 34.9** Asphalt cutting will be measured in lineal metres of single lines cut.
- 34.10** Asphalt removal will be measured in square metres for asphalt designated by the Engineer to be removed and wasted separately from excavation of waste material.
- 34.11** Extra gravel fill supplied will be measured in cubic metres based on tickets provided by the Contractor.
- 34.12** Extra base gravel placed and compacted will be measured in cubic metres.
- 34.13** Concrete backfill will be measured in cubic metres.

34.14 Saw cutting concrete (minimum depth of 50 mm) will be measured in lineal metres.

34.15 Curb box adjustments will be measured by the number of units.

34.16 Under-strength concrete will be measured in the units for the structure containing concrete, with a compressive strength less than the specified 28 day strength.

06010-35 PAYMENT

35.1 Payment for combined sidewalk curb and gutter, and for combined sidewalk and curb will be made at the contract unit price per lineal metre. The unit price will be full compensation for final trimming, forming, supply and placing of levelling course, supply and placing of concrete, vibrating, jointing, finishing, supply and application of curing compound placing and compacting backfill, and all other related work including clean up.

35.2 Payment for separate curb and gutter and for separate curb will be made at the contract unit price per lineal metre. The unit price will be full compensation for final trimming, forming, supply and placing of levelling course, supply and placing of concrete, vibrating, jointing, finishing, supply and application of curing compounds placing and compacting backfill, and all other related work including clean up.

35.3 Payment for concrete walkway 1500 mm wide will be made at the contract unit price per lineal metre. The unit price will be full compensation for final trimming, forming, supply and placing of levelling course, supply and placing of concrete, vibrating, jointing, finishing, supply and application of curing compound, hauling and placing of topsoil backfill, clean up and related incidental work.

- 35.4** Payment for 115 mm thick concrete sidewalk of variable width, 100 mm concrete median slab and 180 mm sidewalk crossing, will be made at the contract unit price per square metre. The unit price will be full compensation for final trimming, forming, supply and placing of levelling course, supply and placing of concrete, vibrating, jointing, finishing, supply and application of curing compounds, backfilling and all related work including clean up.
- 35.5** Payment for mountable median tip with gutter, will be made at the contract unit price for each complete tip. The unit price will be full compensation for final trimming, forming, supply and placing of levelling course, supply and placing of concrete, vibrating, jointing, finishing, supply and application of curing compounds, and all other related work.
- 35.6** Payment for sidewalk ramp will be made at the contract unit price for each complete ramp.
- 35.7** Payment for concrete removal will be made at the contract unit price per lineal metre or square metre as per bid item. The unit price will be full compensation for the removal, disposal, any charges associated with the disposal, clean up and any related work.
- 35.8** Payment for dowels will be made at the contract unit price per each. The unit price will be full compensation for each dowel supplied and installed.

- 35.9** Payment for asphalt cutting will be made at the contract unit price per lineal metre. The unit price will be full compensation for all labour and equipment required for cutting asphalt concrete full depth to permit clean removal.
- 35.10** Payment for asphalt removal will be made at the contract unit price per square metre. The unit price will be full compensation for the removal, disposal, any charges associated with the disposal, clean up and any related work. If asphalt is not cut before removal or has not been designated by the Engineer to be wasted separately it will be considered as part of common excavation.
- 35.11** Payment for extra base gravel fill supplied only, will be made at the contract unit price per cubic metre. The unit price will be full compensation for supply, hauling, and dumping.
- 35.12** Payment for extra base gravel placed and compacted to 98% Standard Proctor will be made at the contract unit price per cubic metre. The unit price will be full compensation for any work involved in placing and compacting the base, and clean up.
- 35.13** Payment for 20 MPa lean concrete will be made at the contract unit price per cubic metre. The unit price will be full compensation for supply, placing, vibrating, finishing and all other related work including clean up.
- 35.14** Payment for saw cutting concrete 50 mm deep will be made at the contract unit price per lineal metre. The unit price will be full compensation for all equipment, material and labour.

35.15 Payment for adjusting curb boxes will be made at the contract unit price for each unit adjusted. The unit price will be full compensation for the labour and equipment needed to do the work.

35.16 Payment for curb on pavement will be made at the contract unit price per lineal metre. The unit price will be full compensation for all equipment, material and labour including the patching of stake holes from forms and string lines.

35.17 Reduction of payment for under-strength concrete shall be calculated and applied in the manner as outlined in Section 06005-16.

When the average 28 day compressive strength of the two test cylinders for any test equals or exceeds the specified strength, the complete work will be paid for at the contract unit prices.

35.18 Reduction of payment for not meeting specified dimensions or tolerances shall be calculated and applied in the following manner:

1. Where tolerances specified in Sections 06010-2.4 or 06010-8 are exceeded and the Engineer decides that replacement is not practical, payment will be made at 50% of the bid price for the entire quantity which would otherwise require replacement.
2. Where thicknesses and widths of structures are constructed less than, but within 10% of the specified dimensions, payment will be made at 50% of the bid price for the entire quantity which would otherwise require replacement. Structures on which dimensions are more than 10% below those specified shall be removed and replaced at the Contractor's cost.

END OF SPECIFICATION 06010

INDEX

	<u>Page</u>
06015-1 GENERAL	2
06015-2 SPECIFIC REQUIREMENTS	2
06015-3 MEASUREMENT AND PAYMENT	5
06015-4 QUALITY CONTROL DOCUMENTATION	6
06015-5 DUMPING OF EXCESS MATERIAL	7

06015-1 GENERAL

1.1 Description

1.1.1 This Section specifies requirements for supply of ready mix concrete to the City of Saskatoon for placement by its own forces or its agents.

1.1.2 The work includes the supply of all constituent materials, handling, mixing, delivery and discharge at the construction site(s).

1.2 Related Work

1.1.2 Ready Mix Concrete - Section 06005

06015-2 SPECIFIC REQUIREMENTS

2.1 Materials

2.1.1 Ready Mixed Concrete

To the requirements as per Section 06005, Ready Mixed Concrete.

2.2 Supply

2.2.1 Days of Work

Normal days of work for the supply of ready mixed concrete shall be 5 days a week, Monday to Friday.

2.2.2 Hours of Work

Hours of delivery will be between 7:00 a.m. and 5:00 p.m., Monday through Friday. Exceptions to the scheduled hours of work will be agreed upon by both parties 24 hours prior to the time of supply. During inclement weather, deliveries will be confirmed on the day of delivery. The number of delivery trips will be minimized by using the largest truck reasonable for that size of a load, unless smaller trucks are specified for a delivery location due to access constraints.

2.2.3 Ordering of Ready Mixed Concrete

The City will place orders for concrete before 4:30 p.m. prior to the day of delivery, specifying quantity, location(s), and time when concrete is to be delivered.

2.2.4 Truck Routes for Heavy Loads

Vehicles used in the delivery of Ready Mix Concrete will be governed by the City of Saskatoon Traffic Bylaws. A plan marked Schedule No. 8 in Division 0, Section 00705 (General Conditions) shows routes to be used by vehicles with a gross weight in excess of 5,000 kg.

Concrete delivery trucks will use the routes on Schedule No. 8, City of Saskatoon Truck Route Map for deliver of concrete from the plant to a point closest to the delivery site. The Engineer reserves the right to establish the truck routes.

2.2.5 Supply

Further to General Conditions Section 00705-22, if the Seller fails to supply the specified materials or meet provisions under this section, the City may without terminating this contract;

1. Secure other sources of supply immediately upon written notice to the Contractor, until the Contractor can demonstrate that their product meets specifications and provision under this Section. The City shall deduct from the Contractor's payment an incremental cost to secure an alternate supply. The total contract price shall be reduced accordingly.
2. Terminate acceptance of materials immediately upon written notice to the Contractor until the Contractor can demonstrate that their product meets specifications and provisions under this section. The City shall deduct from the payment due the Contractor damages resulting from lost production and or delay in schedule.
3. Deduct from the payment due the Contractor damages resulting from lost production and or delay in schedule for plant breakdown.

2.2.6 Waiting Time

Discharge time will include a time allotment on a site the greater of 15 minutes or 10 minutes per cubic metre. Site arrival times will be noted on the delivery slip and verified by a City representative on site.

2.3 Payment Adjustments

2.3.1 Materials

Payment reductions will be used to adjust the contract unit price for materials not complying with the specification limits. Payment reductions and specification limits are specified in Section 06005, Ready Mixed Concrete.

All payment adjustments will be determined on the basis of individual test results. The quantity of material represented by a single test lot will not exceed the quantity of material delivered on the test day, up to and including the test load. Reduced payment for more than one deficiency on any test lot will be based on the reduced payment and not the original price.

06015-3 MEASUREMENT AND PAYMENT

3.1 Type 10 Concrete

Two payment items have been included for the supply and delivery of Type 10 ready mixed concrete based on an order equal to, or greater than 3 cubic metres and an order less than 3 cubic metres.

Measurement and payment of Type 10 ready mixed concrete will be by the cubic metre at the unit price per cubic metre (base price). The unit price per cubic metre will be based on the corresponding payment item.

3.2 High-Early Strength Additive

Measurement and payment for high-early strength additive will be at the tendered unit price per each 1% by weight per cubic metre and will be paid in addition to the base unit price for Type 10 Concrete.

3.3 Excess Waiting and Discharge Time

Waiting and discharge time in excess of that specified in Section 2.2.6 will be paid as “waiting time” at the unit price per hour. Excess waiting and discharge time will be measured to the nearest minute.

06015-4 QUALITY CONTROL DOCUMENTATION

An integral part of the quality assurance testing program is the ongoing verification of concrete quality by the Contractor as part of a daily quality control program. The basis of payment adjustment as per Section 06015-2.3 includes only the concrete supplied on the day of the quality assurance test. This means that more emphasis will be placed on documented procedures that the Contractor has in place for ongoing monitoring of concrete quality.

Of primary interest is the daily verification of air entrainment. As part of the tender submission the Contractor will be required to submit:

1. A brief summary of their quality control program that will be in place during the contract.
2. A sample of daily logs for air entrainment testing and/or other quality control testing initiated by the Contractor.

The proposed quality control program will be considered in the evaluation of the tenders.

06015-5 DUMPING OF EXCESS MATERIAL

Excess material is to be properly disposed of. Dumping of material in back lanes or vacant lots will not be allowed.

END OF SPECIFICATION 06015

INDEX

	<u>Page</u>
06020-1 GENERAL	2
06020-2 SCOPE	2
06020-3 CONCRETE PRODUCTION AND DELIVERY	2
06020-4 CONCRETE CONSTRUCTION	3
06020-5 REINFORCING STEEL	3
06020-6 TESTING	4

06020-1 GENERAL

The General Conditions, Specific Conditions and Instructions to Bidders form an integral part of this Specification and are to be read in conjunction herewith.

06020-2 SCOPE

The Contractor shall provide all materials, labour, equipment and incidentals necessary to complete the work of this trade. The work shall consist of supplying and storing aggregates, reinforcing steel, cement and admixtures, building forms and falsework, placing reinforcing steel, mixing concrete and placing in forms, finishing surfaces, protection, curing and cleanup all as specified.

06020-3 CONCRETE PRODUCTION AND DELIVERY

All concrete shall be centrally manufactured with a controlled mix designed to produce the requirements specified herein. Components shall be separately measured by dry weight and batched at a batching plant. Concrete components, admixtures, storage, handling, mixing and delivery shall all be in accordance with CSA Specification A23.1.

The Contractor shall submit a copy of all delivery slips to the Engineer.

- All concrete at or below ground level shall be made with Portland Sulphate Resisting Cement.

- Concrete shall develop a 28 day compressive strength as shown on the drawings or stated elsewhere in the Specifications.

- The maximum size of aggregate for all concrete shall be 38 mm except where a reduction in size is required for proper finishing or is otherwise specified.
- Air entraining agent shall be added to all concrete to produce an air content of 5% - 8% by volume.
- Water/cement ratio shall not exceed 0.50 by weight.
- Slumps shall be in accordance with Table 8 of CSA Specification A23.1.

06020-4 CONCRETE CONSTRUCTION

All phases of concrete construction work including forming, bedding, placement, finish, curing and protection shall be in accordance with CSA Specification A23.1.

Type of finish shall be as specified on the drawings. Approved curing compound shall be used on all concrete placed at or above ground level.

06020-5 REINFORCING STEEL

Reinforcing steel shall be as shown on the drawings. Before ordering steel, all order lists and bending diagrams shall be submitted for approval by the Engineer, and no materials shall be ordered until such lists and bending diagrams have been approved.

Bars shall be intermediate grade deformed steel billet bars conforming to current CSA Specifications.

Mesh shall be welded steel wire fabric for concrete reinforcement conforming to the current CSA Specifications.

Details of construction with reinforcing steel including care and handling, cleaning, bending, placing, spacing, splicing and concrete protection shall be in accordance with CSA Specification A23.1.

06020-6 TESTING

All testing shall be carried out in accordance with CSA Specification A23.2.

The Contractor shall, at his own expense, undertake all tests necessary for concrete mix design, and for this purpose shall engage an independent testing laboratory approved by the Engineer. Test results shall be submitted to the Engineer not less than 7 days prior to commencement of concrete construction.

Field Tests for concrete quality shall be the responsibility of the Engineer. The Contractor shall provide unhindered access to the work for purposes of inspection and selection of samples. The Owner shall pay for all field testing but there shall be no charge to the Owner for any materials taken for testing purposes.

All aspects of field tests for concrete quality shall be in accordance with CSA Specification A23.1.

END OF SPECIFICATION 06020

INDEX

	<u>Page</u>
06025-1 MATERIAL	2
06025-2 CERTIFICATION OF MATERIAL	3

06025-1 **MATERIAL**

(a) Composition and Properties

The ingredients of liquid membrane-forming compounds (curing compounds) shall not be toxic or dangerously inflammable. Use of benzene, toluene, carbon tetra-chloride, ethyl alcohol, or other toxic materials shall not be permitted.

The compound shall contain a temporary colour indicator which shall be readily distinguishable from the concrete surface for at least four hours after application. The colour shall become inconspicuous within seven days after application.

(b) Character of the Film

The compound shall adhere to damp concrete and shall form a continuous coherent film when applied at the specified rate of application.

When dry, the covering shall be continuous, flexible, and without breaks or pin-holes and shall remain as unbroken film for at least seven days after application to the laboratory specimen. The liquid membrane-forming compound shall not react deleteriously with the concrete.

(c) Consistency

The liquid membrane-forming compound (curing compound) shall be of such consistency that it can be readily sprayed to a uniform coating at temperatures above 5 C by means of atomizing nozzles. When sprayed on the vertical face of a damp concrete block in the laboratory at the manufacturer's specified rate of application, it shall not run or sag.

(d) Storage Stability

The membrane-forming compound shall be storable for at least three months without deterioration and shall resist freezing.

The compound shall not settle to the extent that it cannot be readily restored to uniformity by moderate stirring or agitation by compressed air.

(e) Drying Time

When applied to a damp concrete surface at the specified rate of application, the membrane-forming compound shall feel dry to touch in not more than four hours.

When dried, the compound shall not be tacky or track off the concrete when walked upon, or impart a slippery surface to the concrete.

(f) Moisture Retention

When tested in the water retention test, the liquid membrane-forming compound shall restrict the loss of water present in the test specimen at the time of application of the curing compound to not more than 0.04 grams per square centimetre of area.

06025-2 CERTIFICATION OF MATERIAL

Bidders shall submit a letter, in duplicate, from the manufacturer and from an approved testing laboratory certifying that the curing membrane meets the accompanied specification. Bidders shall also provide the following information:

- (a) percentage of solids.
- (b) specific gravity at 25 C.
- (c) reflective index at 25 C.
- (d) flash point.
- (e) viscosity at 5 C.
- (f) resistance to early rainfall.
- (g) moisture loss in grams per square centimetre, for periods of one to seven days exposure time with various rates of applications in square metres per litre at 40 C and 30% relative humidity.

END OF SPECIFICATION 06025

INDEX

	<u>Page</u>
06030-1 GENERAL	2
06030-2 PRODUCTS	3
06030-3 EXECUTION	3

06030-1 GENERAL

1.1 Work Included

This Section covers the supply and placing of unit paving required for the work.

1.2 Examination

1.2.1 Examine the work of other Sections upon which the work of this Section depends and correct any defects that exist before the work commences.

1.3 Layout Work

1.3.1 All work shall be laid out by the Contractor who shall be fully responsible for the accuracy thereof.

1.4 Testing

1.4.1 Testing shall be carried out as indicated in General Conditions.

1.4.2 Test may include a Standard Proctor Density.

06030-2 PRODUCTS

2.1 Unit Pavers

2.2.1 Pavers set in sand shall be as specified on the detail sheet and Drawings

2.2.2 Pavers shall have a minimum compressive strength of 50 MPa and a maximum water absorption of 5%.

2.2 Granular Particles

2.2.1 Bedding Sand shall be normal weight sand meeting the gradations listed in Section 03001-3.2.11 “Bedding Sand”. Masons sand or dune sand are unacceptable.

2.2.2 Specifications for base course aggregate are contained in Aggregates Specifications Section 03001-3.2.2.

06030-3 EXECUTION

3.1 Construction of the Base Course

3.1.1 The finished subgrade shall be approved before placement of any base course.

3.1.2 The base course shall be spread in layers which, when compacted, will not exceed 150 mm.

3.1.3 The base course shall be compacted with suitable compaction equipment that will ensure a minimum 98% of ASTM Designation D1557.

3.1.4 The base course shall be shaped to grade and cross-section with an allowable local tolerance of 15 mm.

3.2 Paver Installation

3.2.1 Spread sand to ensure a 25 mm depth of the sand bed after installation of unit pavers.

3.2.2 Avoid walking on screeded surface.

3.2.3 Install pavers true to grade and free of any movement.

3.2.4 Verify paver patterns with Project Manager prior to installation.

3.2.5 Begin installation from a base line for pavers laying pavers directly on the screened sand in the patterns indicated.

3.2.6 Joint between pavers and edges should be as shown on the detail sheets and drawings to achieve the design pattern shown.

3.2.7 Where required, cut paver units to fit accurately, neatly, and without damaged edges.

3.2.8 Vibrate the pavers to their final level with two or three passes of a vibrating plate compactor.

3.2.9 Spread and sweep, dry, sharp sand into the joints and vibrate down.

3.2.10 Spread sand over surface of pavers and broom sand into joints.
Finish by gently washing and sweeping clean.

END OF SPECIFICATION 06030

INDEX

	<u>Page</u>
06040-1 GENERAL	2
06040-2 MATERIALS	2
06040-3 EQUIPMENT	3
06040-4 EXECUTION	3
06040-5 UTILITIES CLEARANCE	4
06040-6 MAINTENANCE OF SITE CONDITIONS	5
06040-7 MEASUREMENT AND PAYMENT	6

06040-1 GENERAL

1.1 Description

The Contractor, unless otherwise specified, shall provide all labour, plant, equipment and material together with all proper and required facilities for the construction in an expeditious and workmanlike manner of cast-in-place concrete sign bases and other related work all in accordance with these specifications and accompanying plans.

1.2 Related Work Elsewhere

Ready Mixed Concrete: Section 06005.

06040-2 MATERIALS

All materials used for the sign base construction shall be approved by the Engineer.

Reinforcing bars must be deformed bars of the dimensions shown on the drawings. It must be clean and free from defects, kinks, loose rust or mill scale at the time the concrete is placed. Any coatings of hardened concrete are to be removed from the steel.

Bar reinforcing must meet C.S.A. G30.12, deformed bars; grade 400 for all bars except ties may be grade 300.

06040-3 EQUIPMENT

All tools, machinery, plant and equipment used in handling materials and executing any part of the work, shall be subject to the approval of the Engineer. All such equipment shall be maintained in efficient working order and where any of the machinery, plant or equipment is found to be unsatisfactory, it shall be improved or replaced by the Contractor to the satisfaction of the Engineer.

06040-4 EXECUTION

The City of Saskatoon will carry out the necessary survey work to provide sign base locations and elevations.

The Contractor shall sawcut the asphalt surface or concrete sidewalk (where necessary) to provide a smooth, well defined limit at the surface of the excavation. All underlying material shall be removed to the depth and limits set out in the drawings or specified by the Engineer. The sides and floor of the excavation shall be hand shaped to provide smooth, true vertical surfaces to act as the concrete form. The Contractor shall ensure that sufficient clearance is provided between the reinforcing bars and the excavation walls and floor.

The Contractor shall supply, place and secure the reinforcing steel assemblies in the excavation. The anchor rods, which form part of each assembly will be supplied by the Owner. They shall be placed and maintained by the Contractor in correct vertical and horizontal alignment. Tolerances shall be ± 10 mm in horizontal location and ± 6 mm in vertical elevation. Failure to meet these tolerances will result in the Contractor, at his own expense, removing and reconstructing the concrete sign base.

Prior to concrete placement, the Contractor shall place the required plastic pipe and electrical ground rod as per the plans or Engineer's direction. The ground rod wire leading to the top of the base through the 50 mm plastic pipe shall also be installed. Care must be taken to ensure that the ends of the plastic duct are not plugged with concrete during pouring. The ground rod assembly will be supplied by the Owner.

The Engineer shall be informed upon completion of setting the rebar cage and anchor bolts and prior to concrete placement so as an inspection can be carried out.

The Contractor shall supply and place 30.0 MPa, Type 5 (sulfate resistant) concrete for the bases. If required, calcium chloride may be added to prevent freezing; the amount not to exceed 2%.

The Contractor shall properly vibrate the concrete during placing to prevent voids. The upper surface shall be placed flush with the surrounding asphalt or concrete surface. The exposed surfaces shall be trowelled smooth then given a fine brushed finish. The Contractor shall spray all exposed concrete surfaces with Tri-Cote (or approved equal) concrete curing compound.

During freezing weather, the Contractor shall cover each base with an insulating material for a period of 7 days to prevent the concrete from freezing.

06040-5 UTILITIES CLEARANCE

Before starting any construction or excavation, the Contractor shall be responsible for determining, at his expense, the actual location and elevation of all sewer, water and gas mains or lines, electric light, power, telephone or telecommunications, duct or other such structures or utilities which may exist in the area of the proposed work.

The Contractor shall be responsible for notifying the respective utility at least 48 hours in advance of his intention to carry out operations in the vicinity of the said utility and if required, shall pay for any services supplied for locating of these utilities.

Where construction is required over or adjacent to other services, the method of construction used shall be agreeable to the Engineer and the Utility Authorities concerned.

The Contractor shall be responsible for any damage to existing buried or overhead services resulting from the failure of the Contractor to obtain appropriate clearances or take appropriate precautions when working in the presence of existing services.

06040-6 MAINTENANCE OF SITE CONDITIONS

During construction, the Contractor shall keep the construction site properly signed and as neat and tidy as possible for the safety of the general public. Where, in the opinion of the Engineer, the Contractor fails to provide proper site maintenance, he shall clean up the site before any additional work is done.

Before leaving the job site, the Contractor shall ensure that all surfaces involving trenching or excavating are restored to their original condition.

The Contractor shall remove any excess material and ensure the construction area is left neat and tidy.

In addition, the Contractor shall furnish the City of Saskatoon with one set of plans suitably marked to show the as built layout for all underground construction.

06040-7 MEASUREMENT AND PAYMENT

Payment for the construction of the required concrete sign bases will be on a lump sum basis for the price stipulated. This price shall be full compensation for saw cutting, excavation and disposal of underlying material, supply and placing rebar and concrete, placing anchor bolts, ground rods and plastic pipe and maintaining and cleaning the site.

END OF SPECIFICATION 0604

INDEX

	<u>Page</u>
06041-1 GENERAL	2
06041-2 MATERIALS	2
06041-3 EQUIPMENT	2
06041-4 EXECUTION	3
06041-5 UTILITIES CLEARANCE	4
06041-6 MAINTENANCE OF SITE CONDITIONS	4
06041-7 MEASUREMENT AND PAYMENT	5

06041-1 GENERAL

1.1 Description

The Contractor, unless otherwise specified, shall provide all labour, plant, equipment and material together with all proper and required facilities for the construction in an expeditious and workmanlike manner of cast-in-place concrete sign bases and other related work all in accordance with these specifications and accompanying plans.

1.2 Related Work Elsewhere

Ready Mixed Concrete: Section 06005.

06041-2 MATERIALS

All materials used for the sign base construction shall be approved by the Engineer.

Reinforcing bars must be deformed bars of the dimensions shown on the drawings. It must be clean and free from defects, kinks, loose rust or mill scale at the time the concrete is placed. Any coatings of hardened concrete are to be removed from the steel.

Bar reinforcing must meet C.S.A. G30.12 M, plain finish new billet deformed steel.

06041-3 EQUIPMENT

All tools, machinery, plant and equipment used in handling materials and executing any part of the work, shall be subject to the approval of the Engineer. All such equipment shall be maintained in efficient working order and where any of the machinery, plant or equipment is found to be unsatisfactory, it shall be improved or replaced by the Contractor to the satisfaction of the Engineer.

06041-4 **EXECUTION**

The City of Saskatoon will carry out the necessary survey work to provide sign base locations and elevations.

The Contractor, where necessary, shall sawcut asphalt surfaces or concrete sidewalk to provide a smooth, well defined limit at the surface of the excavation. All underlying material shall be removed to the depth and limits set out in the drawings or specified by the Engineer. The Contractor shall supply, place and secure the reinforcing steel assemblies in the excavation. The anchor rods, which form part of each assembly will be supplied by the Owner. They shall be placed and maintained by the Contractor in correct vertical and horizontal alignment. Tolerances shall be ± 10 mm in horizontal location and ± 6 mm in vertical elevation. Failure to meet these tolerances will result in the Contractor, at his own expense, removing and reconstructing the concrete sign base.

The Engineer shall be informed upon completion of setting the rebar cage and anchor bolts and prior to concrete placement so as an inspection can be carried out.

The Contractor shall supply and place 25.0 MPa, Type 5 (sulfate resistant) concrete for the bases. If required, calcium chloride may be added to prevent freezing; the amount not to exceed 2%.

The Contractor shall properly vibrate the concrete during placing to prevent voids. The upper surface shall be placed flush with the surrounding asphalt or concrete surface. The exposed surfaces shall be trowelled smooth then given a fine brushed finish. The Contractor shall spray all exposed concrete surfaces with Tri-Cote (or approved equal) concrete curing compound.

During freezing weather, the Contractor shall cover each base with an insulating material for a period of 7 days to prevent the concrete from freezing.

06041-5 UTILITIES CLEARANCE

Before starting any construction or excavation, the Contractor shall be responsible for determining, at his expense, the actual location and elevation of all sewer, water and gas mains or lines, electric light, power, telephone or telecommunications, duct or other such structures or utilities which may exist in the area of the proposed work.

The Contractor shall be responsible for notifying the respective utility at least 48 hours in advance of his intention to carry out operations in the vicinity of the said utility and if required, shall pay for any services supplied for locating of these utilities.

Where construction is required over or adjacent to other services, the method of construction used shall be agreeable to the Engineer and the Utility Authorities concerned.

The Contractor shall be responsible for any damage to existing buried or overhead services resulting from the failure of the Contractor to obtain appropriate clearances or take appropriate precautions when working in the presence of existing services.

06041-6 MAINTENANCE OF SITE CONDITIONS

During construction, the Contractor shall keep the construction site properly signed and as neat and tidy as possible for the safety of the general public. Where, in the opinion of the Engineer, the Contractor fails to provide proper site maintenance, he shall clean up the site before any additional work is done.

Before leaving the job site, the Contractor shall ensure that all surfaces involving trenching or excavating are restored to their original condition.

The Contractor shall remove any excess material and ensure the complete construction area he is working in is left neat and tidy.

In addition, the Contractor shall furnish the City of Saskatoon with one set of plans suitably marked to show the as built layout for all underground construction.

06041-7 MEASUREMENT AND PAYMENT

Payment for the construction of the required concrete sign bases will be on a lump sum basis for the price stipulated. This price shall be full compensation for saw cutting, excavation and disposal of underlying material, supply and placing rebar and concrete, placing anchor bolts, and maintaining and cleaning the site.

END OF SPECIFICATION 06041

INDEX

	<u>Page</u>
06050-1 DESCRIPTION	2
06050-2 MATERIALS	2
06050-3 CONSTRUCTION, WORKMANSHIP AND PROCEDURES	5
06050-4 HANDLING, STORAGE AND DELIVERY	8
06050-5 INSTALLATION	8
06050-6 PAYMENT	9

06050-1 DESCRIPTION

The work shall consist of supplying all labour, plant, equipment and material for the fabrication and installation of precast concrete barriers in accordance with this Specification, the construction drawings provided herein and the General Requirements.

06050-2 MATERIALS

2.1 Qualifications

The manufacturer is to be CSA certified for Precast Structural Concrete Products under CSA A251 or shall adhere to the specifications as set out under CSA A251. Adherence to the CSA A251 specifications shall be monitored by an independent consultant supplied by the City.

2.2 Concrete

A minimum compressive strength of 35 mPa shall be used in fabricating precast concrete barriers.

Cement used on the work shall be Type 1 Portland Cement and conform to current CSA Specifications.

The consistency for hand placed concrete shall be such that the slump shall not exceed 80 mm or be less than 25 mm.

An approved air entraining agent shall be used in all concrete and shall comply with the Specifications for Air Entraining Admixture for Concrete (A.S.T.M. Designation: C-260) and used in strict accordance with the manufacturer's recommendations. The air entrainment limits shall be between 5 to 8 percent by volume as determined in accordance with C.S.A. A 23.2.18.

Ready mixed concrete shall conform in every respect to all specifications herein contained and with the "Standard Specifications for Ready Mixed Concrete" (A.S.T.M. Designation: C-94 or C.S.A. A 23.1.13) and shall further be subject to any additional written directions that the Engineer may deem necessary to ensure the obtaining of concrete of the quality specified.

2.3 Concrete Testing

During the progress of the work, test cylinders will be taken to determine the quality of the concrete. Concrete tests will be done by a Testing Laboratory approved by the Engineer.

The Contractor shall, at his own expense, supply the following tests.

- 1) Slump Test
- 2) Air Entraining Test
- 3) Set of three (3) test cylinders. One cylinder will be broken at seven (7) days and two test cylinders will be broken at twenty-eight (28) days.

The Contractor shall provide, at his own expense, materials and facilities as the Engineer may require for carrying out the above mentioned tests.

The fresh concrete will be sampled in accordance with A.S.T.M. Designation: C-172 or C.S.A. A 23.2.21.

Concrete with a slump greater than 75 mm shall be rodded. Concrete with slump of 25 mm to 75 mm may be rodded or vibrated. Concrete with slump of less than 25 mm shall be consolidated by vibration.

The concrete supplied shall have a basic minimum specified compressive strength of twenty-eight (28) days. The average of the two (2) cylinders of any single test broken at twenty-eight (28) days shall be equal to or greater than the specified strength at twenty-eight (28) days. No more than one (1) test in ten (10), and no two (2) consecutive tests shall be below the specified strength.

2.4 Reinforcing Steel

Reinforcing steel shall be fabricated from deformed bars and/or welded wire mesh conforming to the requirements of CSA Standard G30.12-M and conforming to the grade shown on the plans. (A.S.T.M. Designation: A-615, Grade 40).

2.5 Miscellaneous Metals

Miscellaneous metals shall conform to the requirements of A.S.T.M. Designation: A-36 or better.

2.6 Protective Coatings for Exposed Metal

Connectors - coupling inserts shall be completely galvanized with not less than 600 g/m² as per C.S.A. G164-M.

06050-3 CONSTRUCTION, WORKMANSHIP AND PROCEDURES

3.1 Forms

Forms shall be true to shape, lines and dimensions as called for on the drawings. They shall be substantial and tight to prevent leakage of moisture. Maximum tolerance for final dimensions is as indicated on plans, or where not indicated ± 3 mm.

The face of the forms shall be treated with a release agent to ensure that stripping of the forms may be carried out without damage to the concrete. Care shall be taken to maintain all embedded steel will be free of the release agent.

3.2 Reinforcing Steel

All reinforcing steel shall be accurately placed in the positions shown on the plans, and shall be retained in such positions by means of bar accessories and wires so that the bars shall not be moved out of alignment during or after the pouring of concrete. The reinforcing steel shall be free from mud, oil, releasing agents or other nonmetallic coatings that adversely affect the bonding capacity.

The maximum permissible tolerance for location of the reinforcing steel shall be ± 5 mm of the location shown on the plans.

The minimum clear cover for reinforcing steel in concrete shall be 40 mm or as stated in CAN3-A23.3-M84.

3.3 Concrete Compaction (Vibration)

The concrete shall be thoroughly compacted by mechanical vibrators during casting. The concrete will be worked around reinforcement, embedded fixtures and into the corners of the forms. Internal vibrators or form vibrators may be used at the manufacturer's discretion. Care shall be exercised to avoid over vibration that causes aggregate segregation.

3.4 Curing

Moist Curing

The surfaces of fresh concrete shall be kept continuously moist for a period of at least 7 days and are protected against the harmful effects of sunshine, drying winds, cold running water, surface water and mechanical shock. The temperature of the concrete shall be kept at 20°C for not less than 7 days.

Steam Curing

If steam curing is used to maintain a daily cycle of casting, the following criteria for curing shall be adhered to:

1. The maximum rate of temperature rise of the concrete is 20°C per hour.
2. The maximum temperature to which the concrete is raised is 70°C.
3. The maximum rate of cooling is 20°C per hour.

Immediately after stripping of forms, the members shall be steam cured for an additional 12 hours at a temperature of not less than 65°C.

After completion of moist curing or steam curing, the members are stored and allowed to dry out for a further period of 7 days prior to being put into service.

3.5 Concrete Finishing

Honeycomb spots, holes, broken corners and edges, and other concrete spalls shall be repaired by thoroughly cleaning the area, applying an approved bonding agent, and carefully filling with a grout of cement and fine aggregate mixed in proportions to obtain a strength equivalent to that of the concrete being repaired. (35 mPa) The resulting surfaces shall be smooth and uniform.

3.6 Concrete Sealer

The concrete barrier shall be sealed using penetrating sealer specified by the Engineer. The entire surface area shall be sealed.

The concrete surface should be dry and free of oils, grease, dirt, wax and other contaminants considered as detrimental to the penetration of the sealer. New concrete shall be cured to at least 80% of the design strength before the first coat of the sealer is applied. New concrete shall be satisfactorily cleaned using forced air or water.

Application: The penetrant sealer may be applied with a roller, brush or sprayer. At least two coats will be required for a proper coverage. All manufacturer's specifications shall be adhered to with inspection to application.

Product:	Duralane	40
	Chemtrete	BSM-40
	Permaseal	444
	Drytrete	40
	Hydrozo Silane	40 m
	Hydrozo Silane	40 IPA
	Capseal	X
	Capseal	U

06050-4 HANDLING, STORAGE AND DELIVERY

Care shall be taken in the handling, storage and delivery of completed precast units to avoid damage. Damage to units prior to acceptance by the City at the point of installation, shall be rectified by the supplier at no extra cost to the City.

06050-5 INSTALLATION

The units shall be installed as shown on the construction drawings.

A smooth vertical profile shall be maintained along the top of the concrete barriers. It may be required to place steel shims underneath the units to compensate for any depressions in the roadway's profile. Hand pack grout will be required where a gap of more than 10 mm results between the underside of the unit and the roadway surface.

06050-6 PAYMENT

Precast concrete barriers are paid for at the unit rate per 2.5 metre unit. A separate unit price will apply to the supply of the transition and terminal ends. Payment for the supply shall be full compensation for all labour, materials and equipment required to fabricate the barriers and deliver to installation site.

A separate unit price will cover the installation of each unit at the location specified by the Engineer.

END OF SPECIFICATION 06050

INDEX

	<u>Page</u>
06051-1 DESCRIPTION	2
06051-2 MATERIALS	2
06051-3 CONSTRUCTION, WORKMANSHIP AND PROCEDURES	4
06051-4 HANDLING, STORAGE AND DELIVERY	6
06051-5 INSTALLATION	6
06051-6 PAYMENT	7

06051-1 **DESCRIPTION**

The work shall consist of supplying all labour, plant, equipment and material for the fabrication and installation of precast concrete curbing in accordance with this Specification, the construction drawings provided herein and the General Requirements.

06051-2 **MATERIALS**

2.1 **Concrete**

A minimum compressive strength of 35 mPa shall be used in fabricating precast concrete curbing.

Cement used on the work shall be Type 1 Portland Cement and conform to current CSA Specifications.

The consistency for hand placed concrete shall be such that the slump shall not exceed 80 mm or be less than 25 mm.

An approved air entraining agent shall be used in all concrete and shall comply with the Specifications for Air Entraining Admixture for Concrete (A.S.T.M. Designation: C-260) and used in strict accordance with the manufacturer's recommendations. The air entrainment limits shall be between 5 to 8 percent by volume as determined in accordance with C.S.A. A 23.2.18.

Ready mixed concrete shall conform in every respect to all specifications herein contained and with the "Standard Specifications for Ready Mixed Concrete" (A.S.T.M. Designation: C-94 or C.S.A. A 23.1.13) and shall further be subject to any additional written directions that the Engineer may deem necessary to ensure the obtaining of concrete of the quality specified.

2.2 Concrete Testing

During the progress of the work, test cylinders will be taken to determine the quality of the concrete. Concrete tests will be done by a Testing Laboratory approved by the Engineer.

The Contractor shall, at his own expense, supply the following tests.

- 1) Slump Test
- 2) Air Entraining Test
- 3) Set of three (3) test cylinders. One cylinder will be broken at seven (7) days and two test cylinders will be broken at twenty-eight (28) days.

The Contractor shall provide, at his own expense, materials and facilities as the Engineer may require for carrying out the above mentioned tests.

The fresh concrete will be sampled in accordance with A.S.T.M. Designation: C-172 or C.S.A. A 23.2.21.

Concrete with a slump greater than 75 mm shall be rodded. Concrete with slump of 25 mm to 75 mm may be rodded or vibrated. Concrete with slump of less than 25 mm shall be consolidated by vibration.

The concrete supplied shall have a basic minimum specified compressive strength of twenty-eight (28) days. The average of the two (2) cylinders of any single test broken at twenty-eight (28) days shall be equal to or greater than the specified strength at twenty-eight (28) days. No more than one (1) test in ten (10), and no two (2) consecutive tests shall be below the specified strength.

2.3 Reinforcing Steel

Reinforcing steel shall be fabricated from deformed bars conforming to the requirements of CSA Standard G30.12-M and conforming to the grade shown on the plans. (A.S.T.M. Designation: A-615, Grade 40).

2.4 Miscellaneous Metals

Miscellaneous metals shall conform to the requirements of A.S.T.M. Designation: A-36 or better.

06051-3 CONSTRUCTION, WORKMANSHIP AND PROCEDURES

3.1 Forms

Forms shall be true to shape, lines and dimensions as called for on the drawings. They shall be substantial and tight to prevent leakage of moisture. Maximum tolerance for final dimensions is ± 5 mm.

The face of the forms shall be treated with a release agent to ensure that stripping of the forms may be carried out without damage to the concrete. Care shall be taken to maintain all embedded steel will be free of the release agent.

3.2 Reinforcing Steel

All reinforcing steel shall be accurately placed in the positions shown on the plans, and shall be retained in such positions by means of bar accessories and wires so that the bars shall not be moved out of alignment during or after the pouring of concrete. The reinforcing steel shall be free from mud, oil, releasing agents or other nonmetallic coatings that adversely affect the bonding capacity.

The maximum permissible tolerance for location of the reinforcing steel shall be ± 5 mm of the location shown on the plans.

The minimum clear cover for reinforcing steel in concrete shall be 40 mm or as stated in CAN3-A23.3-M84.

3.3 Concrete Compaction (Vibration)

The concrete shall be thoroughly compacted by mechanical vibrators during casting. The concrete will be worked around reinforcement, embedded fixtures and into the corners of the forms. Internal vibrators or form vibrators may be used at the manufacturer's discretion. Care shall be exercised to avoid over vibration that causes aggregate segregation.

3.4 Concrete Finishing

Honeycomb spots, holes, broken corners and edges, and other concrete spalls shall be repaired by thoroughly cleaning the area, applying an approved bonding agent, and carefully filling with a grout of cement and fine aggregate mixed in proportions to obtain a strength equivalent to that of the concrete being repaired. (35 mPa) The resulting surfaces shall be smooth and uniform.

3.5 Concrete Sealer

The concrete barrier shall be sealed using a two component epoxy resin penetrating sealer specified by the Engineer. The entire surface area shall be sealed.

The concrete surface should be dry and free of oils, grease, dirt, wax and other contaminants considered as detrimental to the penetration of the sealer. New concrete shall be cured to at least 80% of the design strength before the first coat of the sealer is applied. New concrete shall be satisfactorily cleaned using forced air or water.

Application: The penetrant sealer may be applied with a roller, brush or sprayer. At least two coats will be required for a proper coverage. All manufacturer's specifications shall be adhered to with inspection to application

Product: Niklepoxy Penetrant Sealer Product #1

Sikagard 70 Penetrant Sealer - polysiloxane resin

Sikagard 619 Penetrant Sealer

Concrete chemicals #905

06051-4 HANDLING, STORAGE AND DELIVERY

Care shall be taken in the handling, storage and delivery of completed precast units to avoid damage. Damage to units prior to acceptance by the City at the point of installation, shall be rectified by the supplier at no extra cost to the City.

06051-5 INSTALLATION

The units shall be installed as shown on the construction drawings.

A smooth vertical profile shall be maintained along the top of the concrete curbs. It may be required to place steel shims underneath the units to compensate for any depressions in the roadway's profile. Hand pack grout will be required where a gap of more than 10 mm results between the underside of the unit and the roadway surface.

06051-6 PAYMENT

Precast concrete curbs are paid for at the unit rate per 2.5 metre unit. A separate unit price will apply to the supply of the median ends. Payment for the supply shall be full compensation for all labour, materials and equipment required to fabricate the barriers and deliver to installation site.

A separate unit price will cover the installation of each unit at the location specified by the Engineer.

END OF SPECIFICATION 06051

INDEX

	<u>Page</u>
06060-1 GENERAL	2
06060-2 SCOPE	2
06060-3 MATERIAL	2
06060-4 CONSTRUCTION	3
06060-5 MEASUREMENT AND PAYMENT	3

06060-1 GENERAL

Supply all material, equipment, labour and supervision necessary to bore pavement, to supply and install pressurized grout as well as filling of bore holes.

06060-2 SCOPE

The general intent of this work is to stabilize the subgrade only. This work is not intended to slabjack the asphalt or change the cross section.

06060-3 MATERIAL

The maximum strength of the cement grout shall be 0.5 mPa at 28 days, with a minimum strength of 0.3 mPa at 28 days.

The maximum size aggregate to be used in the grout shall be 2.5 mm.

The grout shall contain a minimum of 25 kg of cement per cubic metre.

The use of fly ash shall be permitted in the cement grout.

Prior to the beginning of work, a mix design must be supplied to the Engineer which in part indicates, a 7 day and a 28 day compressive strength.

The Contractor must also provide the Engineer with the results of a concrete yield test.
(SCA A 23.1.2-6C)

06060-4 CONSTRUCTION

The Contractor shall supply, erect and maintain all barricades and signs required to ensure the safe passage of vehicles and pedestrians.

If the roadway being grouted cannot be maintained open to traffic, the City shall divert traffic as required.

The Contractor shall ensure all underground utilities are located before any drilling takes place.

The Contractor shall core through the pavement structure to a point 1.2 metres into the roadbed.

Grout will be forced under pressure into the core holes until refusal.

Upon completion of the grouting the bore hole is to be struck off level or filled with asphalt mix.

The Contractor will be required to supply and install a minimum of 15 m³ of grout each working day.

06060-5 MEASUREMENT AND PAYMENT

Measurement and payment for pressurized grout injection will be on a two part basis. Payment for drilling of injection bore holes will be based on a unit cost per each hole drilled. Payments shall include drilling the 1.2 metre deep hole, disposing of all cuttings and finishing the hole level with an impervious material.

Payment for supplying and injecting grout will be based on a unit cost per cubic metre of grout injected. Measurement will be based on weigh tickets produced at the production plant as well as summary of the weights of each component used in producing the final product. The result of the concrete yield test will provide the conversion used to convert the weights to a volume for the payment.

END OF SPECIFICATION 06060

INDEX

	<u>Page</u>
06070- 1 SCOPE	2
06070- 2 METHOD OF REMOVING SIDEWALK AND CURB	2
06070- 3 ASPHALT, CONCRETE AND RUBBLE DISPOSAL	2
06070- 4 SUBGRADE PREPARATION	2
06070- 5 FORMS	3
06070- 6 PLACING CONCRETE	3
06070-7 CONCRETE	5
06070-8 CONCRETE TESTS	6
06070-9 FINISH OF SIDEWALK, CURB AND GUTTER	6
06070-10 CURING COMPOUND	7
06070-11 PROTECTION	8
06070-12 PAVEMENT REMOVAL AND REPAIRS	8
06070-13 SIDEWALK SUPPORT ADJACENT TO BUILDINGS	8
06070-14 CONCRETE PAVERS	9
06070-15 PLACING OF UNIT PAVERS	9
06070-16 SIDEWALK, CURB AND GUTTER CONSTRUCTION	10

06070-1 SCOPE

The Contractor shall supply all labour, plant, equipment and materials for the construction of sidewalks, curbs and unit pavers complete as shown and detailed on the drawings and as described in these Specifications.

06070-2 METHOD OF REMOVING SIDEWALK AND CURB

Concrete will be removed to the nearest control joint. No partial squares of sidewalk will be permitted. Unless a clean, straight break already exists along a joint, the ends of the concrete to be removed shall be cut with a concrete saw. The cut shall be of sufficient depth to permit removal without damage to the remaining structure.

06070-3 ASPHALT, CONCRETE AND RUBBLE DISPOSAL

Concrete asphalt and rubble may be disposed at the City of Saskatoon disposal site as specified by the Engineer or as written in the contract.

06070-4 SUBGRADE PREPARATION

150mm of material shall be removed and base shall be placed to a depth not less than 150 mm below the bottom of the concrete structure. The material shall be mixed, wetted or dried as required.

The subgrade shall be compacted to a minimum of 98% Standard Proctor Density by means of approved mechanical compaction equipment. Sheepsfoot rollers may be required by the Engineer in locations with cohesive soil.

Where concrete is hand poured final grade preparation and compaction shall be carried out after the forms are placed. The subgrade elevation shall be checked to ensure adequate thickness of the granular base and concrete. When the subgrade preparation is approved, the Contractor will be permitted to place and compact the levelling which will give the required sidewalk thickness.

The surface of the subgrade after final trimming and rolling shall be within ± 10 mm of the design cross section and staked elevations.

06070-5 FORMS

The forms shall be free from warps or other defects and shall have smooth, clean surface adjacent to the concrete. The forms shall be thoroughly cleaned and oiled before any concrete is deposited within them.

The forms shall be well staked, braced and held rigidly to the established line and grade to enable the use of mechanical concrete vibrators and vibrator screeds when placing concrete.

06070-6 PLACING CONCRETE

Concrete shall be placed in a continuous operation. The interval between placing successive batches shall not exceed 30 minutes unless the last load completed the work to an expansion joint. Maximum mixing time of concrete after water has been added shall be 60 minutes.

Concrete shall be placed as close as possible to but no further than one metre from its final position in the forms. Rehandling of concrete shall not be permitted.

It shall be deposited in such a manner that segregation of the aggregates shall not occur.

After placing, the concrete shall be tamped, vibrated or otherwise consolidated to eliminate all voids and honeycombing. Vibrating screeds, shall be operated in accordance with the manufacturer's instructions. Over vibration resulting in bleeding shall not be allowed.

In combined rolled curb and sidewalk areas, a steel vibrating screed shall be used in such a manner as to obtain dense concrete and the required cross section continuously.

Where combined curb and sidewalks are poured, concrete shall be placed by hand in the curb excavation in advance of placing the sidewalk concrete so that subgrade material will not be forced into it from beneath the sidewalk section.

Concrete shall not be placed when the ground temperature is less than 2°C. Concrete shall be covered and heated, if necessary, to maintain a temperature of 5° C for at least 36 hours. Covering shall not be removed for 72 hours. Cost of heating and covering shall be borne by the Contractor.

Concrete damaged due to freezing shall be replaced by the Contractor at his expense.

During hot weather, an approved set retarder may be used. Sidewalk and curb shall be poured at a rate such that finishing as specified can be accomplished. Surface wetting shall not be permitted during finishing. The Engineer may terminate the work temporarily if, in his opinion, the work cannot be properly finished.

06070-7 CONCRETE

Concrete materials, method of concrete handling and construction shall conform to the latest edition of CAN3-A23.1 as published by the Canadian Standards Association.

Minimum compressive strength of the concrete at 28 days shall be 32 MPa.

Aggregates shall comply with Section 5, CAN3-A23.1.

Nominal aggregate size shall be 30 mm.

Cement shall be Type 10 Normal Portland Cement complying with Section 3, CAN3-A23.1. A minimum of 300 kg of cement per cubic metre of mixed concrete shall be used.

Slump shall not exceed 70 mm or be less than 25 mm.

An approved air entraining agent complying with Section 6, CAN3-A23.1 shall be used. Air entrainment shall be 5% to 8% by volume.

Water cement ratio shall not exceed 0.38 by weight.

Reinforcing steel shall conform with CSA G30.12-M77 and CSA G30.6.

Calcium chloride may be used as an accelerating agent on the approval of the Engineer. It shall conform to ASTM D-98. Maximum amount of calcium chloride in the mix shall not exceed 2% of cement by weight.

06070-8 CONCRETE TESTS

Ready mixed and transit mixed concrete should conform to CSA A23.1.13.

After the award of the work, the Contractor shall submit the following information in writing relating to the ready mix concrete supplier.

- (a) Name, address and contact person.
- (b) Recent concrete mix design on results of six concrete test cylinders of the same concrete which will be used for the work.

During the progress of the work, the Contractor shall hire an approved materials testing laboratory and take one set of three concrete test cylinders for each concrete pour. One cylinder will be tested after 7 days of curing and two cylinders will be tested after 28 days of curing. No more than one test in five nor two consecutive tests shall be below the specified concrete strength.

One copy of the test results shall be submitted to the Owner.

06070-9 FINISH OF SIDEWALK, CURB AND GUTTER

Concrete shall be deposited in a manner to prevent segregation of the aggregate. Special care shall be taken in placing concrete to prevent voids, pockets, rough areas and honeycombing. The concrete shall be consolidated by using mechanical concrete vibrators or vibrator screed in such a manner as to work the coarse aggregate away from the forms and exposed surfaces.

After the concrete has sufficiently set to permit further finishing without concrete bleeding, the surface shall be brought to a true surface with a wood float. The surface shall be marked and finished as shown on drawings using approved tools. After marking, the surface shall be trowelled smooth with a steel trowel and a uniform brush finish applied with a soft bristled push broom to the satisfaction of the Engineer.

After the initial concrete set, the curb form shall be removed and the exposed surface of the curb shall be worked to a true surface, trowelled smooth and then given a uniform brush finish.

Substandard work or finished surfaces which are marred or damaged prior to setting shall be replaced by the Contractor at his expense.

Each block or portion of block of sidewalk constructed shall be marked at the end with a suitable tool showing the name of the Contractor and the year of construction.

Curb returns shall be smooth, continuous curves and shall be tangent where they join the straight sections or another curve.

06070-10 CURING COMPOUND

Apply a curing compound to all exposed surfaces. Curing compound shall comply with ASTM C309, Liquid Membrane - Forming Compounds for Curing Concrete. The rate of application shall be as recommended by the manufacturer or as directed by the Engineer. The pressure spray distributor shall be such that a continuous even coating is applied.

Concrete placed after September 30 will be cured with an application of a penetrating sealer to prevent de-icing agents from spalling the concrete.

The cost of supplying and applying curing compound is to be included in the respective sidewalk and curb unit prices.

06070-11 PROTECTION

Pedestrian traffic shall not be allowed on the walks for 24 hours after the concrete is poured. Lane and driveway crossings shall be barricaded and not used for a period of 5 days after the concrete is poured.

06070-12 PAVEMENT REMOVAL AND REPAIRS

To facilitate the removal and construction of the sidewalk, curb, or curb and gutter, the Contractor shall jack hammer or saw cut the adjacent pavement. Extent of removal shall be kept to a minimum but adequate to enable the work to be performed correctly.

Payment for patch paving will be made on the Contract bid price either included in the curb unit price or on a square metre basis.

06070-13 SIDEWALK SUPPORT ADJACENT TO BUILDINGS

At concrete foundations, steps, or sidewalks on property the new sidewalk needs to be dowelled in to the existing concrete structure. The Contractor shall install 250 x 10 rebar into the concrete building foundation. Rebar is to be installed 100 mm into the foundation, 50 mm from the bottom of the sidewalk.

This work is included in the unit price payment for the sidewalk.

06070-14 CONCRETE PAVERS

Concrete pavers shall be as specified in the Contract. Type 10 Normal Portland cement shall be used having a minimum strength of 55 MPa in 28 days. The maximum water absorption shall be 5%.

The Contractor shall supply the required test data for each project. Test data may be on the pavers manufactured or most current test results obtained in manufacturing similar pavers. If applicable data is not available, appropriate tests as required in the industry shall be performed and one copy provided to the Owner.

Should a special penetrating sealer be required to be applied to provide a minimum of twenty years of service, without spalling, it shall be included in the unit price.

06070-15 PLACING OF UNIT PAVERS

After the excavation is completed to the correct elevation, the top 150 mm of the subgrade and the 150mm of granular base are to be compacted to a minimum of 98% Standard Proctor Density.

After the granular base has been approved, spread and screed sand to ensure 25 mm depth prior to the installation of unit pavers.

Pattern of paver installation to be as shown on plans and verified by Owner.

Pavers are to be installed from a straight edge, laying pavers directly on the screeded sand in the patterns as shown. Install unit pavers true to grade and free of any movement. Joints between pavers should be a maximum of 3 mm or as required to achieve the design pattern. The spacing on a curved area shall be equal.

Where required, pavers are to be saw cut neatly to fit accurately.

After the pavers are placed, the pavers are to be vibrated to the final level with two or three passes of a vibrating plate compacter. Spread and sweep dry sharp sand into the joints and vibrate down. Finish by washing and sweeping clean.

It shall be the responsibility of the Contractor to maintain the appropriate level of the pavers including the filling between the joints with sand during the two year maintenance period.

06070-16 SIDEWALK, CURB AND GUTTER CONSTRUCTION

All work performed shall meet the current standards as outlined for concrete sidewalk, curb and gutter construction, Specification 06010 and as shown on cross section drawings.

END OF SPECIFICATION 06070

INDEX

	<u>Page</u>
06080- 1 SCOPE	2
06080- 2 METHOD OF REMOVING SIDEWALK AND CURB	2
06080- 3 ASPHALT, CONCRETE AND RUBBLE DISPOSAL	2
06080- 4 SUBGRADE PREPARATION	2
06080- 5 GRANULAR BASE COURSE	3
06080- 6 TEMPLATES	4
06080- 7 FORMS	5
06080- 8 PLACING CONCRETE	5
06080- 9 CONCRETE	7
06080-10 CONCRETE TESTS	8
06080-11 FINISH OF SIDEWALK, CURB AND GUTTER	8
06080-12 CURING COMPOUND	9
06080-13 TOLERANCES	10
06080-14 PROTECTION	11
06080-15 PAVEMENT REMOVAL AND REPAIRS	11
06080-16 SIDEWALK SUPPORT ADJACENT TO BUILDINGS	11
06080-17 SIDEWALK, CURB AND GUTTER CONSTRUCTION	12

06080-1 **SCOPE**

The Contractor shall supply all labour, plant, equipment and materials for the construction of sidewalks, and curbs complete as shown and detailed on the drawings and as described in these Specifications.

06080-2 **METHOD OF REMOVING SIDEWALK AND CURB**

Concrete will be removed to the nearest control joint or saw cut. Unless a clean, straight break already exists along a joint, the ends of the concrete to be removed shall be cut with a concrete saw. The cut shall be of sufficient depth to permit removal without damage to the remaining structure.

06080-3 **ASPHALT, CONCRETE AND RUBBLE DISPOSAL**

Concrete asphalt and rubble may be disposed at the City of Saskatoon disposal site as specified by the Engineer or as written in the contract.

06080-4 **SUBGRADE PREPARATION**

150mm of material shall be removed and base shall be placed to a depth not less than 150 mm below the bottom of the concrete structure and extending 125 mm beyond each side of the proposed concrete structure. The material shall be mixed, wetted or dried as required.

The subgrade shall be compacted to a minimum of 98% Standard Proctor Density by means of approved mechanical compaction equipment. Sheepsfoot rollers may be required by the Engineer in locations with cohesive soil.

Transverse or longitudinal service trenches that have not thoroughly settled shall be excavated and backfilled with approved material and compacted to a minimum 98% Standard Proctor Density. The type of mechanical compactor to be used shall be approved by the Engineer.

Where concrete is hand poured final grade preparation and compaction shall be carried out after the forms are placed. The subgrade elevation shall be checked to ensure adequate thickness of the granular base. When the subgrade preparation is approved, the Contractor will be permitted to place and compact the levelling which will give the required sidewalk thickness.

The surface of the subgrade after final trimming and rolling shall be within ± 10 mm of the design cross section and staked elevations.

06080-5 **GRANULAR BASE COURSE**

The Contractor shall supply the base course material.

The base aggregate shall be composed of fragments of durable rock free from undesirable quantities of soft or flaky particles, loam, organic or other deleterious material.

Specifications for base course aggregate are contained in Aggregates Specifications Section 03001-3.2.2.

06080-6 TEMPLATES

Templates shall be supplied and used by the Contractor to check the subgrade finish prior to placing of the concrete and to check the shape of completed work. Templates shall be full scale and represent the true cross section of the concrete for the type of curb or curb and walk being constructed.

If other templates are required, they shall be constructed and used by the Contractor to control the work.

Templates shall be of rigid construction with suitable handles. Damaged or worn templates shall not be used and all templates shall be checked and approved by the Engineer.

No concrete shall be placed until the Engineer has checked and approved subgrade and base course.

06080-7 FORMS

The forms used for each type of construction shall be the same as the dimensions on the drawing.

They shall be free from warps or other defects and shall have smooth, clean surface adjacent to the concrete. The forms shall be thoroughly cleaned and oiled before any concrete is deposited within them.

The forms shall be well staked, braced and held rigidly to the established line and grade to enable the use of mechanical concrete vibrators and vibrator screeds when placing concrete.

06080-8 PLACING CONCRETE

Concrete shall be placed in a continuous operation. The interval between placing successive batches shall not exceed 30 minutes unless the last load completed the work to an expansion joint. Maximum mixing time of concrete after water has been added shall be 60 minutes.

Concrete shall be placed as close as possible to but no further than one metre from its final position in the forms. Rehandling of concrete shall not be permitted.

It shall be deposited in such a manner that segregation of the aggregates shall not occur.

After placing, the concrete shall be tamped, vibrated or otherwise consolidated to eliminate all voids and honeycombing. Vibrating screeds, shall be operated in accordance with the manufacturer's instructions. Over vibration resulting in bleeding shall not be allowed.

In combined rolled curb and sidewalk areas, a steel vibrating screed shall be used in such a manner as to obtain dense concrete and the required cross section continuously.

Where combined curb and sidewalks are poured, concrete shall be placed by hand in the curb excavation in advance of placing the sidewalk concrete so that subgrade material will not be forced into it from beneath the sidewalk section.

Concrete shall not be placed when the ground temperature is less than 2°C.

Concrete shall be covered and heated, if necessary, to maintain a temperature of 5° C for at least 36 hours. Covering shall not be removed for 72 hours. Cost of heating and covering shall be borne by the Contractor.

Concrete damaged due to freezing shall be replaced by the Contractor at his expense.

During hot weather, an approved set retarder may be used. Sidewalk and curb shall be poured at a rate such that finishing as specified can be accomplished. Surface wetting shall not be permitted during finishing. The Engineer may terminate the work temporarily if, in his opinion, the work cannot be properly finished.

06080-9 **CONCRETE**

Concrete materials, method of concrete handling and construction shall conform to the latest edition of CAN3-A23.1 as published by the Canadian Standards Association.

Minimum compressive strength of the concrete at 28 days shall be 32 MPa.

Aggregates shall comply with Section 5, CAN3-A23.1.

Nominal aggregate size shall be 30 mm.

Cement shall be Type 10 Normal Portland Cement complying with Section 3, CAN3-A23.1. A minimum of 300 kg of cement per cubic metre of mixed concrete shall be used.

Slump shall not exceed 70 mm or be less than 25 mm.

An approved air entraining agent complying with Section 6, CAN3-A23.1 shall be used. Air entrainment shall be 5 to 8 percent by volume.

Water cement ratio shall not exceed 0.38 by weight.

Reinforcing steel shall conform with CSA G30.12-M77 and CSA G30.6.

Calcium chloride may be used as an accelerating agent on the approval of the Engineer. It shall conform to ASTM D-98. Maximum amount of calcium chloride in the mix shall not exceed 2% of cement by weight.

06080-10 CONCRETE TESTS

Ready mixed and transit mixed concrete should conform to CSA A23.1.13.

After the award of the work, the Contractor shall submit the following information in writing relating to the ready mix concrete supplier.

- (a) Name, address and contact person.
- (b) Recent concrete mix design on results of six concrete test cylinders of the same concrete which will be used for the work.

During the progress of the work, the Contractor shall hire an approved materials testing laboratory and take one set of three concrete test cylinders for each concrete pour. One cylinder will be tested after 7 days of curing and two cylinders will be tested after 28 days of curing. No more than one test in five nor two consecutive tests shall be below the specified concrete strength.

Once copy of the test results shall be submitted to the Owner.

06080-11 FINISH OF SIDEWALK, CURB AND GUTTER

Concrete shall be deposited in a manner to prevent segregation of the aggregate. Special care shall be taken in placing concrete to prevent voids, pockets, rough areas and honeycombing. The concrete shall be consolidated by using mechanical concrete vibrators or vibrator screed in such a manner as to work the coarse aggregate away from the forms and exposed surfaces.

After the concrete has sufficiently set to permit further finishing without concrete bleeding, the surface shall be brought to a true surface with a wood float. The surface shall be marked and finished as shown on drawings using approved tools. After marking, the surface shall be trowelled smooth with a steel trowel and a uniform brush finish applied with a soft bristled push broom to the satisfaction of the Engineer.

After the initial concrete set, the curb form shall be removed and the exposed surface of the curb shall be worked to a true surface, trowelled smooth and then given a uniform brush finish

Substandard work or finished surfaces which are marred or damaged prior to setting shall be replaced by the Contractor at his expense.

Each block or portion of block of sidewalk constructed shall be marked at the end with a suitable tool showing the name of the Contractor and the year of construction.

All curb box locations shall be marked at right angles to the back line of the sidewalk and 200 mm from the back of the walk with an imprinted "C.C." with an arrow pointing to the curb box.

Curb returns shall be smooth, continuous curves and shall be tangent where they join the straight sections or another curve.

06080-12 **CURING COMPOUND**

Apply a curing compound to all exposed surfaces. Curing compound shall comply with ASTM C309, Liquid Membrane - Forming Compounds for Curing Concrete.

The rate of application shall be as recommended by the manufacturer or as directed by the Engineer. The pressure spray distributor shall be such that a continuous even coating is applied.

Concrete placed after September 30 will be cured with an application of a penetrating sealer to prevent de-icing agents from spalling the concrete.

The cost of supplying and applying curing compound is to be included in the respective sidewalk and curb unit prices.

06080-13 **TOLERANCES**

All exposed concrete surfaces shall not deviate in line or grade more than 5 mm in 4 metres.

Sidewalk elevation shall not vary more than 6 mm from that established by the Engineer's grade stakes and the maximum variation from the given elevation between two consecutive stakes shall not exceed 6 mm.

Deviation in alignment shall not exceed 10 mm in 10 metres from that established by the survey stakes in one direction only.

Crossfall shall not vary more than 4 mm per metre from that specified or shown on the drawings, unless approved by the Engineer.

In no case shall the thickness of the concrete be more than 8 mm less than the specified thickness.

06080-14 **PROTECTION**

Pedestrian traffic shall not be allowed on the walks for 24 hours after the concrete is poured. Lane and driveway crossings shall be barricaded and not used for a period of 5 days after the concrete is poured.

06080-15 **PAVEMENT REMOVAL AND REPAIRS**

To facilitate the removal and construction of the sidewalk, curb and gutter, the Contractor shall saw cut the adjacent pavement. The cut should be clean and have no jagged edges. Extent of removal shall be 200mm. Refer to City of Saskatoon Standard Drawing 102-0002-049 available on the City's web site.

Payment for patch paving will be made on the Contract bid price either included in the curb unit price or on a square metre basis.

06080-16 **SIDEWALK SUPPORT ADJACENT TO BUILDINGS**

At concrete foundations, steps, or sidewalks on property the new sidewalk needs to be dowelled in to the existing concrete structure. The Contractor shall install 250 x 10 rebar spaced at 300 mm, into the concrete building foundation. Rebar to be installed 100 mm into the foundation, 50 mm from the bottom of the sidewalk.

This work is included in the unit price payment for the sidewalk.

06080-17 SIDEWALK, CURB AND GUTTER CONSTRUCTION

All work performed shall meet the current standards as outlined for concrete sidewalk, curb and gutter construction, Specification 06010 and as shown on cross section drawings.

END OF SPECIFICATION 06080

INDEX

	<u>Page</u>
07005-1 GENERAL	2
07005-2 SCOPE	2
07005-3 GENERAL REQUIREMENTS OF PRODUCT	2
07005-4 SPECIFIC REQUIREMENTS OF PRODUCT	5
07005-5 PACKAGING	7
07005-6 CERTIFICATION OF MATERIAL	7
07005-7 MEASUREMENTS	8
APPENDIX 1	9

07005-1 GENERAL

Supply all materials, as specified herein, and in accordance with the Contract Documents.

07005-2 SCOPE

This specification covers the supply of white or yellow chlorinated rubber traffic paint of a consistency suitable for spray application on bituminous and concrete roadways for marking traffic lines.

07005-3 GENERAL REQUIREMENTS OF PRODUCT

It is the intent of this specification to procure, for use by the City of Saskatoon, the most efficient traffic paint possible with regard to service and cost. Service includes general appearance, colour, night visibility, and durability. The composition of the paint shall be left to the discretion of the manufacturer, and it is his responsibility to formulate and produce in sufficient quantity, a paint meeting the requirements specified herein.

3.1 Reflectorization

Reflectorization of the paint lines is to be obtained by the introduction during paint application of drop-on (overlay-type) glass beads at the rate of 0.6 kilograms per litre of paint sprayed on the road surface.

The glass beads will be introduced or applied to the wet paint film by means of guns and under air pressure.

3.2 Uniformity

The paint shall be homogeneous, and shall be well dispersed to a uniform and smooth consistency.

The paint shall be capable of easy application with an automatic spray gun and shall flow evenly and smoothly without overspray, using the internal method of atomization.

3.3 Package Stability

The paint shall not cake, liver, curdle, get thicker, settle badly or show any objectional properties in the original unopened container for 12 (twelve) months from date of delivery, when stored at a temperature not exceeding 38 degrees C.

At the end of this time, it should be capable of being mixed to a uniform condition by simple stirring without difficulty by the use of a paddle.

3.4 Colour

After drying, the white paint shall be pure white, free from dirt or tint, and shall be identical to the white 513-301. The yellow paint shall be identical to the yellow 505-308. The colours 513-301 and 505-308 are established by Canadian Government Specifications Board 1-GP-12.1C. The paint shall not contain any organic colouring matters and shall not discolour in sunlight.

3.5 Quality

The paint must possess the characteristics such that it will not run (flow) when the glass beads are applied in the manner indicated in section 07005-3.1 of the General Requirement.

The paint shall be free from skins, dirt and other foreign matter.

3.6 Samples

Each prospective bidder shall submit (2) two four litre cans of the paint he proposes to furnish at no charge to the City of Saskatoon. The samples shall be plainly marked showing the manufacturer's code number and name for easy reference.

Only those manufacturers whose samples meet all the requirements of this specification shall be considered for eligibility to tender.

Manufacturers may submit up to (3) three samples of different formula if he so desires, providing they meet the specifications as requested. Samples shall be delivered to: City of Saskatoon, Central Purchasing Department, not later than the date specified on the request for samples, unless an extension of time has been granted by the Engineer. Failure to receive samples by the specified date may be considered sufficient cause for rejection of the sample.

3.7 Acceptance and Rejection

Paint furnished under contract shall be identical to the samples submitted and shall comply with the specification requirements.

In the event that the traffic paint does not comply with these specifications, or is not identical to the sample submitted, the manufacturer will be required to replace all such paint at his own expense, including all handling and transportation.

07005-4 SPECIFIC REQUIREMENTS OF PRODUCT

4.1 Hiding Power

The paint shall flow evenly and smoothly and cover solidly in (1) one coat when applied at a rate of 8 square metres per litre.

4.2 Viscosity

The viscosity of the paint shall be eighty (80) plus or minus five (5) Krebs Units at 25 degrees C.

4.3 Settling Rate

The paint shall provide a rating of seven (7) or higher (A.S.T.M. D1309-56).

4.4 Colour

The colour is based on a comparison of the colour under section 07005-3.4.

NOTE: The paint film made by the overlay method of glass beads in the proportion of 0.6 kilograms to one (1) litre of paint shall comply to the following requirements.

4.5 **Drying Properties**

The paint shall dry to an elastic adherent finish that will not discolour in the sunlight.

The Paint (applied to a sheet of plate glass to give a wet film thickness of 0.38 millimetres) shall dry to the touch in not less than two (2) or more than ten (10) minutes and dry to "no pickup" in not more than twenty (20) minutes at 25 degrees C, 50% to 60% relative humidity (A.S.T.M. D711-55).

NOTE: The paint film is considered to be touch dry when a light touch by the fingers shows a tacky condition but none of the paint adheres to the fingers.

The paint shall dry sufficiently hard within thirty (30) minutes after application so that there will be no displacement (smear) or discolouration (dirt retention) under traffic conditions.

4.6 **Bleeding**

The bleeding characteristics shall provide a rating of six (6) or higher of the Photographic Reference Standards. Application A.S.T.M. D969-54. Evaluation A.S.T.M. D898-48.

4.7 **Flexibility**

The paint shall not crack or peel when subject to the bending test at 23 degrees C. plus or minus 1.5 degrees C. using a 12 mm mandrel (C.G.S.B. Method 119.1).

07005-5 PACKAGING

The paint shall be packaged in twenty (20) litre pails and/or in two hundred and five (205) litre drums. The pails shall have a removable top (open head) and shall be sturdy enough to withstand normal handling. The drums shall have a removable top (open head) and SHALL BE STURDY ENOUGH TO WITHSTAND ROUGH HANDLING WHEN FILLED WITH PAINT. All pails and drums shall be clean and in good order and shall be plainly marked showing litre or gallonage content, lot or batch number, name and address of manufacturer, manufacturer's code number for the paint and date of packaging. NO DRUM SHALL CONTAIN MORE THAN 205 LITRES OF PAINT.

Pails and drums containing white paint shall be stencilled with white labels, and pails and drums containing yellow paint shall be stencilled with yellow labels for identification purposes.

Pails and drums shall be vapour-proof sealed.

All containers must be shipped on pallets and must be loaded in such a manner as to facilitate unloading by a forklift.

If pails and/or drums are returnable for credit, this must be so specified on the Tender Form.

07005-6 CERTIFICATION OF MATERIAL

The supplier shall submit one complete "Paint Data Form" for each test sample (see Appendix 1). Test samples for which a "Paint Data Form" has not been submitted will not be considered.

Bidders shall state the recommended type of thinner required for the paint that the quotations are based on.

Material supplied of inferior quality shall be replaced by the supplier.

07005-7 MEASUREMENTS

Traffic paint will be measured in litres.

END OF SPECIFICATION 07005

APPENDIX 1
PAINT DATA FORM

Manufacturer _____

Manufacturer's Code No. _____

Type of Paint (coning, non-coning) _____

Colour of Paint _____

<u>Composition of Paint</u>	<u>% by Mass</u>	<u>% by Volume</u>
Pigment	_____	_____
Non-Volatile	_____	_____
Volatile	_____	_____

Composition of Pigment _____ % by Mass

- 1) _____
- 2) _____
- 3) _____
- 4) _____
- 5) _____
- 6) _____
- 7) _____
- 8) _____

Type of Vehicle _____

Type of Thinner _____

Type of Driers _____

Viscosity of Finished Paint (Krebs) _____

INDEX

	<u>Page</u>
07010-1 GENERAL	2
07010-2 SCOPE	2
07010-3 PACKAGING	2
07010-4 PRODUCT: SPECIFIC REQUIREMENTS	2
07010-5 CERTIFICATION OF MATERIAL AND REJECTION	5

07010-1 GENERAL

Supply all materials, as specified herein, and in accordance with the Contract Documents.

07010-2 SCOPE

This specification is intended to cover glass beads for application on traffic paint for the production of a reflective surface creating night visibility of the paint film without altering day visibility of the markings in any way.

07010-3 PACKAGING

The glass beads shall be packaged in durable plastic lined waterproof bags so constructed as to ensure safe delivery. The bag, liners, seams and top closures shall be waterproof and leakproof, and shall be capable of maintaining these properties during transportation and through numerous handlings.

07010-4 PRODUCT: SPECIFIC REQUIREMENTS

The beads shall be manufactured from glass of a composition designed to be highly resistant to traffic wear and to the effects of weathering.

The beads shall adhere tightly to standard specification yellow and white traffic paint when applied with a pressurized glass bead gun.

In addition, the glass beads shall conform to the following requirements:

4.1 Roundness

The beads shall be spherical in shape, containing not more than ten (10) percent of irregularly shaped particles by microscopic count.

4.2 Colour

The beads shall be transparent and colourless to prevent their imparting of any noticeable hue to the paint.

4.3 Imperfection

The surface of the beads shall be smooth, lustrous, and free from film, foreign matter, scratches and pits. Not more than twenty-five (25) percent by weight of the true spheres shall have imperfections such as milkiness, dark specks, incipient fractures and air inclusions in a form of a single bubble greater than 1/4 of the diameter of the bead, or many bubbles totaling more than 1/3 of the bead diameter when tested under 50x and 100x magnification as follows:

4.3.1 Glass beads retained on a .300 mm sieve shall be counted under 50x magnification.

4.3.2 Glass beads passing through a .300 mm sieve shall be counted under 100x magnification.

4.4 Refractive Index

The index of refraction of the glass bead shall not be less than 1.50.

4.5 Durability

The beads shall not show any tendency toward decomposition when exposed to atmospheric conditions, moisture, dilute acids, alkalies or paint constituents.

4.6 Crushing Strength

True spheres shall be tested in compression in accordance with A.S.T.M. D-1213-54 for determining the crushing resistance of glass beads. The minimum crushing strength shall be as follows:

<u>Size of Beads</u>	<u>Strength</u>
0.9 - 0.6 mesh size	16 kilograms
0.6 - 0.4 mesh size	11.5 kilograms

4.7 Gradation

The beads shall conform to the following gradation requirements:

<u>Standard Square</u>	<u>Percent Passing</u>
<u>Mesh Sieve (mm)</u>	<u>By Weight</u>
0.9	100
0.6	75 - 95
0.3	15 - 35
0.160	0 - 5
0.074	0 - 1

4.8 Moisture Proof Requirements

The beads shall show no tendency to absorb moisture in storage and shall remain free of clusters and hard lumps. The beads shall flow freely and dispense uniformly from the glass bead guns at any time when surface and atmospheric conditions are satisfactory for marking.

4.9 Test for Moisture Resistance

One (1) kilogram of glass beads meeting gradation requirements are placed in a clean cotton bag and shall be submitted to a moisture proof test. This test consists of saturating the bag and glass beads with water by complete immersion. Suspend the bag to allow it to drain for a period of two (2) hours at room temperature (20 degrees to 21 degrees C.). At the end of this time, mix the sample in the bag by shaking the bag thoroughly. Transfer the sample slowly to a clean, dry, glass funnel having a stem 100 mm in length with a 10 mm inside diameter stem entrance opening and a minimum exit opening of 6 mm. The entire sample shall flow freely through the funnel without stoppage. In case the beads clog the funnel when first introduced, it is possible to tap the funnel stem lightly to initiate the flow.

07010-5 CERTIFICATION OF MATERIAL AND REJECTION

The Bidder shall supply with his tender a letter from the manufacturer and an approved testing laboratory certifying that the glass beads meet the enclosed specifications and requirements.

Bidders shall also submit a representative sample of five (5) kilograms of glass beads which the bidder proposes to furnish.

The tender or quotation will be considered incomplete unless the above information is provided.

Any shipment or shipments of this material supplied to the City of Saskatoon may be sampled at any time after receipt of the shipment. Failure of the material in any shipment to meet any of the requirements of this specification shall constitute cause for rejection or other penalty.

Material supplied of inferior quality shall be replaced by the supplier.

END OF SPECIFICATION 07010

INDEX

	<u>Page</u>
07015-1 SCOPE	2
07015-2 APPLICABLE SPECIFICATIONS	2
07015-3 GENERAL REQUIREMENTS OF PRODUCT	2
07015-4 SAMPLING AND TESTING	5
07015-5 QUALITY ASSURANCE	5
07015-6 DELIVERY AND PACKAGING	6
07015-7 MEASUREMENT	7
APPENDIX 1	8

07015-1 **SCOPE**

This specification is intended to cover white and yellow hot applied traffic paint to be applied to either asphaltic or portland cement concrete pavements.

07015-2 **APPLICABLE SPECIFICATIONS**

The most recent revisions of the following, specifications, test methods and standards form a part of this specification where referenced.

American Society for Testing and Materials (ASTM) D-126, D-713, D-821, D-868, D-969, D-913, D-1394 and E-97.

Canadian Government Standards Board Specification (CGSB) 1-GP-12.1C and 1-GP-71.

07015-3 **GENERAL REQUIREMENTS OF PRODUCT**

It is the intent of this specification to procure, for use by the City of Saskatoon, the most efficient traffic paint possible with regard to service and cost. Service includes general appearance, colour, night visibility, and durability. The composition of the paint shall be left to the discretion of the manufacturer, and it is his responsibility to formulate and produce in sufficient quantity, a paint meeting the requirements specified herein.

3.1 **General**

The paint shall be free from foreign materials, such as dirt, sand or other material capable of clogging screens, valves, pumps, or other equipment used in a paint striping apparatus.

The paint pigment shall be well ground and properly dispersed in the vehicle. The paint shall not cake or thicken in the container and shall not become granular or curdled. Any settled pigment shall be easily redispersed, with minimum resistance to form a smooth uniform product of proper consistency which is capable of being sprayed at the temperature intended for the paint.

The properties described above shall remain for twelve (12) months after delivery and acceptance by the City of Saskatoon. The vendor will be held responsible for all costs and transportation charges incurred in replacing paint which is unfit for use.

3.2 Paint Colour and Cleaner

3.2.1 White Paint - CGSB 1-GP-12.1C White 513-301

3.2.2 Yellow Paint - CGSB 1-GP-12-1C Yellow 505-308.

3.2.3 Cleaner Solvent - Shall be specified by the paint manufacturer.

3.3 Physical and Chemical Requirements

Paint shall conform to the requirements of Table 1.

TABLE 1

Tests	Requirements		Test Methods CGSB 1-GP-71	ASTM
	Minimum	Maximum		
Bleeding	6			D969-57 D868-48
Viscosity (Kreb Units) @ 25 ± 1°	80.0	95.0	4.5	
Drying Time (Minutes) @ 60 ° C		3.0	5.1	D711-75
Fineness of Grind (Hegman)	3.0			D-1210
Volatiles (Total) (% by Mass)		30.0	1.71	
Pigment Content (% by Mass)	50.0	58.0	21.0	
Reflectance % White Paint	80.0			E-97
Yellow Paint	50.0			E-97
Settling	6.0			D-869-78
Hiding Power * (m ² /l)	6.5			

* The paint shall flow evenly and smoothly and cover solidly in one coat when applied at a rate of 6.15 m² per litre when tested using PFUND criptomètre.

07015-4 SAMPLING AND TESTING

No samples will be required to be submitted with the tender. Samples may be required for the acceptance of a tender and they will be requested at that time. A sample shall consist of a minimum of two (2) four litre cans of each paint to be tested. All samples shall be clearly identified by the manufacturer's name and code number.

The supplier shall submit one complete "Paint Data Form" for each tendered formulation of paint (see Appendix 1). Tenders for which a "Paint Data Form" has not been submitted will not be considered. Paint data forms which indicate paint that does not meet the requirements of this Specification will be rejected.

07015-5 QUALITY ASSURANCE

Samples may be taken from paint shipments at any time. These samples shall be subject to inspection and testing. The physical and chemical properties of all shipments and manufacturer's production batch samples shall be identical to those listed on the paint data form. Deviation between the test results and those listed on the paint data form will be cause for rejection. The vendor will be held responsible for all costs and transportation charges incurred in replacing the paint which is unfit for use.

In the event of the rejection of a batch of paint, and if the City of Saskatoon must purchase paint from a source outside this contract to continue its operation, the vendor will be responsible for the difference in cost between the contractual price and any additional costs incurred by the City including any transportation charges.

07015-6 DELIVERY AND PACKAGING

6.1 Packaging

All manufactured paint shall be prepared at the factory ready for application.

The finished paint shall be furnished in a container size as specified in the original tender contract. When 20 litre containers are specified they shall be round, minimum 24 gauge steel containers with properly fitting lids and seals. When 205 litre drums are specified they shall be round, minimum 18 gauge steel containers equipped with a 50 mm bung.

All containers shall be properly sealed and shall show no signs of leakage and remain in satisfactory condition for a period of twelve (12) months after delivery.

The vendor will be held responsible for all costs and transportation charges incurred in replacing paint and containers.

All containers must be shipped on pallets and must be loaded in such a manner as to facilitated unloading by a forklift.

6.2 Markings

Each container shall be clearly marked with weather resistant markings to show the following information:

- (1) Colour and type of paint
- (2) Manufacturer's name and address
- (3) Manufacturer's code and batch numbers
- (4) Date of filling of container
- (5) Volume of container

07015-7 **MEASUREMENT**

Traffic paint will be measured in litres.

END OF SPECIFICATION 07015

APPENDIX 1
PAINT DATA FORM

Manufacturer _____

Manufacturer's Code No. _____

Colour of Paint _____

<u>Composition of Paint</u>	<u>% by Mass</u>	<u>% by Volume</u>
-----------------------------	------------------	--------------------

Pigment	_____	_____
---------	-------	-------

Non-Volatile	_____	_____
--------------	-------	-------

Volatile	_____	_____
----------	-------	-------

<u>Composition of Pigment</u>	<u>% by Mass</u>
-------------------------------	------------------

1) _____	_____
----------	-------

2) _____	_____
----------	-------

3) _____	_____
----------	-------

4) _____	_____
----------	-------

Type of Vehicle _____

Type of Thinner _____

Type of Driers _____

Viscosity of Finished Paint (Krebs) _____

Drying Time @ 60°C _____

Fineness of Grind _____

Reflectance _____

Settling _____

Hiding Power _____

INDEX

07020-1	GENERAL	2
07020-2	TYPES OF MARKINGS	2
07020-3	MATERIAL	4
07020-4	INSTALLATION	5
07020-5	TRAFFIC CONTROL AND WORK AREA	6
07020-6	WORKMANSHIP AND WARRANTY	6
07020-7	PAYMENT	8

07020-1 GENERAL

This specification covers plastic pavement marking requirements. The field installation locations have been defined based on the frequency of vehicle trips over the marking, typically longitudinal markings and transverse markings, hereafter named *longitudinal* and *intersection* markings for easy reference. The longitudinal lead line and first 2 broken lines past the intersection are included in the *intersection* section as they have a higher frequency of vehicle crossings and therefore are subject to more wear than typical longitudinal lines. All markings covered in this section are long term markings that are not expected to require any maintenance under normal traffic wear for a period exceeding three (3) years.

07020-2 TYPES OF MARKINGS

2.1 Longitudinal Markings

2.1.1 Directional Dividing Lines - shall be 100 mm wide, yellow in colour, solid or broken and may be a single line or two parallel lines separated by a distance of 100 mm. When broken, the directional dividing line shall consist of a line 5 metres long with an 8 metre skip distance between lines in a consecutive pattern.

2.1.2 Lane Lines - shall be single line, 100 mm wide, white in colour and may be broken or solid. When broken, the lane line shall consist of a line 5 metres long with an 8 metre skip distance between lines in a consecutive pattern.

2.1.3 Pavement Edge Lines - shall be single, solid line, 100 mm wide and may be yellow or white in colour.

2.1.4 Continuity Lines - shall be a single line, 200 mm wide, white or yellow in colour and may be broken or solid. When broken, the continuity line shall consist of a line 5 metres long with a 5 metre skip distance between lines in a consecutive pattern.

2.1.5 Chevrons – shall be white or yellow 600mm wide, bordered by a 200mm solid line, and installed as per the Required Permanent Markings at Chevrons Plan No. 102-0028-009r001.

2.2 Intersection Markings

Intersection markings shall be installed as per the Required Permanent Markings at Intersection Plan No. 102-0028-008r001.

2.2.1 Stop Lines - shall be a single solid line, 600 mm wide and white in colour.

2.2.2 Crosswalk Lines - Shall be two, parallel, solid lines, 150 mm wide and white in colour. The lines shall be 3.0m apart. Crosswalk markings shall be installed as per Crosswalk Pavement Markings Plan No. 102-0028-001r002.

2.2.3 ‘Zebra’ Crosswalk - Shall be two, parallel, solid lines, 100 mm wide and white in colour, with alternating longitudinal lines 1000mm wide and 3.0m long, separated by 1000mm spaces across the roadway. The longitudinal lines shall be located transversely to minimize application in the established vehicle wheel path. Zebra crosswalk markings shall be installed as per Crosswalk Pavement Markings Plan No. 102-0028-001r002.

2.2.4 Arrows/Symbols - shall be white and designed according to the Uniform Traffic Control Device Manual for Canada or City Standard.

2.2.5 Guide Lines - shall be white, 100 mm wide and shall be placed through intersections as extensions of lane lines 0.5 metres long spaced at 0.5 metres.

07020-3 MATERIAL

3.1 General

The material shall be applied to the road surface while in the liquid form and shall sufficiently set to allow traffic to drive over the material with no adverse affects to the material or vehicle. In the solid (dried) state, the material shall not give off fumes which are toxic or otherwise injurious to persons or property.

3.2 Durability

The dried material shall not deteriorate, crack, or decay during air temperature changes within -50 C to +50 C and with exposure to UV light. The material shall not deteriorate by contact with sodium chloride, calcium chloride, or other chemicals used against formation of ice on roadways; oil content of pavement materials; or motor vehicle oil or other fluids.

3.3 Colour

After setting, the colour of the white material shall be similar to standard number 37875 of the standard U.S. Federal Standard 595B, and yellow shall be similar to standard number 33538. The material shall not discolour when exposed to UV light. The material shall maintain its relative colour over the duration of the warranty period (the white marking shall not 'grey', nor shall the yellow material 'fade').

3.4 Drying Time

The material will be considered dried when a vehicle can drive over the material with no adverse affect to the material or vehicle. The drying time shall not exceed 20 minutes during average summer temperatures and humidity and shall be completely dry after one hour.

3.5 Reflectorization

During placement, glass spheres shall be mixed into the material to the extent required to achieve high levels of retroreflectivity. The pavement marking material shall bond with the beads sufficiently to ensure retention of the beads throughout the life cycle of the pavement marking. The retroreflectivity of the pavement marking shall be measured using a retroreflectometer and shall maintain a minimum reflectance value of 75 mcd/sqm/lux at the end of the warranty period for both colours.

The glass beads shall be manufactured from glass of a composition designed to be highly resistant to traffic wear and to the effects of weathering. The beads shall be transparent and colourless to prevent their imparting of any noticeable hue to the paint. Glass beads shall also be applied to surface of extruded material before it has set, at a rate of 140 to 250 g/m².

07020-4 INSTALLATION

4.1 General

The pavement marking shall be installed on new asphalt, micro surfacing, old asphalt, old lane lines, and on concrete. Installation of the product shall be performed by hand or using mechanical equipment in a process to minimize traffic restriction delay, and to ensure no damage to public or private property during installation or drying time of the material (no spray or tracking).

4.2 Surface Preparation

All material must be installed on a clean dry road surface. The contractor may choose to use abrasive surface preparation methods for the roadway to maximize surface bonding. The existing pavement damage shall be minimal. No grooving of the roadway will be permitted. Where the location of the new pavement markings conflict with existing pavement markings the new marking shall be installed in the same line as the existing marking. The contractor shall be responsible for removal of any existing marking material at his cost. The owner will only pay for removal of existing markings where relocation is required.

07020-5 TRAFFIC CONTROL AND WORK AREA

5.1 General

Work zone traffic controls shall be set up in accordance with the City of Saskatoon Traffic Control Manual 2004.

The Contractor shall at all times keep traffic congestion to a minimum. The work zone shall be limited to maintain one lane of traffic in all directions at all times. The work shall be carried out as quickly as possible to prevent excessive delay and inconvenience to traffic.

07020-6 WORKMANSHIP AND WARRANTY

6.1 Adhesion to Pavement

The Contractor shall make all tests and take all samples necessary to assure adequate adhesion between the pavement marking material and the roadway surfaces used by the City. Surface preparation is at the discretion of the Contractor and any markings installed over existing markings is covered by the warranty period even if the old marking bond is deemed to be the failed portion of the application.

6.2 Rejected Work

Poor workmanship such as insufficient material, wrong location, wavy lines, too much overflow, non-uniform lengths, shall be removed by the Contractor and replaced within seven calendar days. Surplus material shall be trimmed to give clean straight edges. The Engineer will give the Contractor written notice of any markings that have been rejected.

6.3 Warranty Period

The Engineer will issue a Completion Certificate for each month the Contractor performs work. The Contractor shall remedy all defects in the work due to faulty material, workmanship or everyday wear for a period of three (3) years from the date of installation. Locations known to have excessive shear forces such as curves or lane lines on entrance ramps/roadways shall not be exempt from the warranty period. The Contractor shall be responsible for placing sufficient product thickness to accommodate these conditions.

The maintenance of the markings during the warranty period shall be the Contractor's responsibility and shall be carried on until expiration of the warranty period of which time the Contractor's responsibility shall cease, unless there is an outstanding order from the Engineer requiring the Contractor to correct some of the maintenance that has not been completed.

The Contractor shall supply the Owner with a written three (3) year warranty for retention of at least eighty-five (85) percent of the markings (including wheel path wear areas on transverse lines) with minimum retroreflectivity of 75 mcd/sqm/lux at the end of the product warranty.

The Engineer shall give the Contractor written notice of all defects observed within the warranty period.

In the event that the above minimum retention is not met, the Contractor will, at the option of the Engineer, either:

- 1) Replace the missing sections to the satisfaction of the Engineer at no expense to the City or;
- 2) Reimburse the City at the same rate the Contract was awarded, for the quantity of line failing to meet the minimum criteria.

07020-7 PAYMENT

Payment is to be made on the basis of the number of lineal metres of material installed as measured by the Engineer in the field for lines, and per unit for arrows/symbols as counted. Chevrons shall consist of a combination of 200mm solid line and 600mm chevron line; zebra markings shall consist of 100mm solid line and 1000mm zebra bar, each measured per unit for each marking type. Crosswalks shall consist of two 150mm lines measured per lineal meter of crossing width measure at the midpoint of the crosswalk (i.e. a 12m wide roadway would result in a 12 units of crosswalk markings, not 24 units).

The unit prices are to include the complete cost of supplying and installing the material, surface preparation, and traffic accommodation (except traffic control on freeways). All costs associated with travel to and from the worksite shall be included in the unit prices.

END OF SPECIFICATION 07020

INDEX

	<u>Page</u>
07030-1 GENERAL	2
07030-2 MATERIALS	2
07030-3 INSTALLATION	6
07030-4 TYPES OF MARKINGS	9
07030-5 PAYMENT	11

07030-1 GENERAL

This Specification covers cold plastic material suitable for use as reflecting pavement markings on bituminous pavement and method of application. The materials shall be so manufactured to be applied by extrusion onto the pavement in liquid form with glass spheres mixed in and also dropped onto the material immediately after it is applied.

07030-2 MATERIALS

2.1 General Conditions

The compound shall not deteriorate by contact with sodium chloride, calcium chloride or other chemicals used against formation of ice on roadways or streets, or because of oil dropping from traffic. In the plastic state, the materials shall not give off fumes which are toxic or otherwise injurious to persons or property.

During manufacture, reflecting glass spheres shall be mixed into the material to the extent of not less than 20 percent nor more than 50 percent by weight of the material.

2.2 Colour

The colour of the markings shall be brilliant white or yellow. The brightness value will be obtained with the Gardner Multi-purpose Reflectometer when measuring 0 - 45 daylight luminous directional reflectance with the green filter: shall not be less than 70 percent for white or 55 percent for yellow.

The material shall not be subject to discoloration or bond failure due to ultra violet rays from the sun.

2.3 Properties

2.3.1 Curing Time

The curing time shall be controllable by the workers. Normal curing time shall be from 10 - 35 minutes with 100% curing complete in under one hour at all times. Curing is complete and the material does not rely on glass beads to keep it from tracking during a prolonged curing time.

2.3.2 Water Absorption

The material shall have no more than 0.5 percent by weight of retained water when tested by ASTM designation D-570, "Water Absorption of Plastic" procedure (A) (24 hour immersion).

2.3.3 Softening Point

The material shall not have a softening point.

2.3.4 Specific Gravity

The specific gravity of the plastic compound at 25 C, shall be from 1.90 - 2.20.

2.3.5 Impact Resistance

Shall not be less than 1.13 Newton-metres at 25 C after the material has been cast into bars of 25 mm² cross-sectional area, 75 mm long and

placed with 25 mm extending above the vice in a cantilevers beam (Izod type) tester using the 2.82 Newton-metre scale. This instrument is described in ASTM designation D-256.

2.3.6 Abrasion Resistance

The material shall have a maximum weight loss of 0.5 grams when subjected to 200 revolutions on a Taber Abraider at 25 C using H-22 Calibrade wheels weighted to 500 grams. The test sample shall be prepared by forming representative lots of material of a thickness of 3.0 mm \pm 0.1 mm on a 100 mm square plate. The test surface shall be kept wet during the test.

2.3.7 Indentation Resistance

The indentation resistance of the material shall be measured by a Shore Durometer Type A2 as described in ASTM designation, D-1706. The reading of the Shore Durometer after 15 seconds and using a 0.907 kilogram weight shall not be less than the amounts specified below when the material is tested after heating four hours at 204 C and cooled to the following temperatures:

Temperature	Reading
46 C	65 \pm 2
25 C	95 \pm 2

2.3.8 Chemical Resistance

Material test sections, 5 cm x 5 cm should show no signs of degradation after exposure to:

5% NaCl (24 hr. Immersion)

5% CaCl₂ (24 hr. Immersion)

2.4 Glass Beads

The surface of the spheres shall be smooth and free from film, scratches and pits. At least 90 percent shall be of true spherical shape and free from milkiness, dark or air inclusions and other defects.

The liquid immersion method of 25 C may be used to determine the refractive index of the glass spheres. A refractive index of 1.50 to 1.60 is required.

The glass spheres shall meet the following gradation requirements when tested in accordance with ASTM designation D-1214.

a) Spheres included in the manufacture of the material:

<u>Standard Sieve</u>	<u>% Passing</u>
Passing #270 um	80 - 100
Passing #100 um	0 - 10

b) Spheres for application on molten material:

<u>Standard Sieve</u>	<u>% Passing</u>
Passing #900 um	90 - 100
Passing #300 um	20 - 50
Passing #200 um	0-10

07030-3 INSTALLATION

3.1 General

The material shall be suitable for application in film thickness from 0.5 mm up to 15 mm. Normal surface applications will be from 1.5 to 2.0 mm thick.

The material when cured shall be flexible when cast into film thickness of 2 mm to 5 mm. The material shall contain no solvents.

The material shall be suitable for application on concrete, new asphalt, and old asphalt. Bond strength on any of these surfaces shall be sufficient for the material to remain in place for a number of years, under most normal conditions.

3.2 Existing Pavement markings

Where the location of the new cold plastic markings conflict with existing pavement markings, such as paint, the new marking shall be installed in the same line as the existing marking.

3.3 Application

3.3.1 Longitudinal Joints

The cold plastic markings shall not be installed over a longitudinal joint or seam except transverse markings such as stop lines and crosswalk lines.

3.3.2 Road Surface

All work must be done on a clean dry road surface.

3.3.3 Application Temperature

To insure the best possible adhesion, the compound as specified shall be installed in a liquid state in a temperature range of +5 C to +35 C.

3.4 Traffic Control and Work Area

3.4.1 Requirements

The Contractor shall at all times keep traffic congestion to a minimum. The work shall be undertaken from one lane only and all men, materials and equipment shall be contained as much as possible in that lane. The work shall be carried out as quickly as possible to prevent excessive delay and inconvenience to traffic.

All equipment or combination of equipment used in the application, including the sweeper, material applicator and cone truck shall operate within 100 metres at any one time.

3.4.2 Work Restrictions

Work on any roadway may be restricted by the Engineer during the following time periods:

- 1) 0700 - 0900 hours
- 2) 1600 - 1800 hours

- 3) In or near residential or built-up areas, where sleeping occupants may be disturbed, between 2200 and 0700 hours.

3.6 Adhesion to Pavement

The Contractor shall make all tests and take all samples necessary to assure adequate adhesion between the cold plastic material and the pavement. Acceptance of this Contract shall be evidence that the Contractor is satisfied that no adhesion problems will be encountered.

3.7 Workmanship

3.7.1 Rejected Work

Further to Section 00700-15 of the General Conditions, faulty markings, such as unstraight lines, too much overflow, non-uniform lengths, must be redone within five working days.

3.7.2 Warranty and Maintenance Period

The Contractor shall remedy all defects in the work due to faulty material or workmanship or failure of the work itself for a period of two (2) years from the date of the Completion Certificate.

The Engineer shall give the Contractor written notice of all defects observed within the maintenance period.

The maintenance shall be a continuous operation and shall be carried on until expiration of the maintenance period of which time the Contractor's liability shall cease, unless there is an outstanding order from the Engineer requiring the Contractor to correct some of the maintenance that has not been completed.

The Contractor shall supply the Owner with a written two (2) year maintenance guarantee for retention of at least ninety (90) percent of the longitudinal markings and eighty (80) percent of the transverse markings.

In the event that the above minimum retention is not met due to either a material or installation failure, the contractor will, at the option of the Engineer, either:

- 1) Replace the missing sections to the satisfaction of the Engineer at no expense to the Owner or;
- 2) Reimburse the Owner at the same rate the Contract was awarded, for the quantity of line missing.

07030-4 TYPES OF MARKINGS

4.1 General

The pavement markings shown on the plans were designed, where possible, in compliance with the Uniform Traffic Control Manual for Canada. If conflict arises as to the interpretation between the the plans and the Uniform Traffic Control Device Manual, precedence shall be given to the plans.

4.2 Description of Markings

- 4.2.1 Directional Dividing Lines** - shall be 100 mm wide, yellow in colour, solid or broken and may be a single line or two parallel lines separated by a distance of 100 mm. When broken, the directional dividing line shall consist of a line 5 metres long with an 8 metre skip distance between lines in a consecutive pattern.
- 4.2.2 Lane Lines** - shall be single line, 100 mm wide, white in colour and may be broken or solid. When broken, the lane line shall consist of a line 5 metres long with an 8 metre skip distance between lines in a consecutive pattern.
- 4.2.3 Pavement Edge Lines** - shall be single, solid line 100 mm wide and may be yellow or white in colour.
- 4.2.4 Continuity Lines** - shall be a single line, 200 mm wide, white or yellow in colour and may be broken or solid. When broken, the continuity line shall consist of a line 5 metres long with a 5 metre skip distance between lines in a consecutive pattern.
- 4.2.5 Stop Lines** - shall be a single solid line, 600 mm wide and white in colour.
- 4.2.6 Crosswalk Lines** - shall be two parallel, solid lines, 100 mm wide and white in colour.
- 4.2.7 Arrows** - shall be white and designed according to the Uniform Traffic Control Device Manual for Canada.
- 4.2.8 Chevrons** - shall be white or yellow 600 mm wide and designed according to the Uniform Traffic Control Device Manual for Canada.

07030-5 PAYMENT

Payment is to be made on the basis of the number of lineal metres of material installed except arrows. Payment for arrows is to be made on the basis of unit price per arrow.

The unit prices are to include the complete cost of supplying and installing the material. The amount paid will be based on field measurements by the Engineer.

The plans and schedules provided are to be used for estimating purposes only.

END OF SECTION 07030

INDEX

07040-1	GENERAL	2
07040-2	TYPES OF MARKINGS	2
07040-3	MATERIAL	5
07040-4	INSTALLATION	9
07040-5	TRAFFIC CONTROL AND WORK AREA	10
07040-6	WORKMANSHIP AND WARRANTY	10
07040-7	PAYMENT	12

07040-1 GENERAL

This specification covers thermoplastic material suitable for use as reflecting pavement markings on bituminous pavement and method of application. The materials shall be so manufactured to be applied by extrusion onto the pavement in molten form with glass spheres mixed in and also dropped onto the material immediately after it is applied.

07040-2 TYPES OF MARKINGS

2.1 General

The pavement markings shown on the plans were designed, where possible, in compliance with the Uniform Traffic Control Manual for Canada. If conflict arises as to the interpretation between the plans and the Uniform Traffic Control Device Manual, precedence shall be given to the plans.

2.2 Longitudinal Markings

2.2.1 Directional Dividing Lines - shall be 100 mm wide, yellow in colour, solid or broken and may be a single line or two parallel lines separated by a distance of 100 mm. When broken, the directional dividing line shall consist of a line 5 metres long with an 8 metre skip distance between lines in a consecutive pattern. The depth of directional dividing line markings shall be 7 mm, 5 mm below and 2 mm above pavement surface, unless specified otherwise.

2.2.2 Lane Lines - shall be single line, 100 mm wide, white in colour and may be broken or solid. When broken, the lane line shall consist of a line 5 metres long with an 8 metre skip distance between lines in a

consecutive pattern. The depth of lane line markings shall be 7 mm, 5 mm below and 2 mm above pavement surface, unless specified otherwise.

2.2.3 Pavement Edge Lines - shall be single, solid line, 100 mm wide and may be yellow or white in colour. The depth of pavement edge line markings shall be 7 mm, 5 mm below and 2 mm above pavement surface, unless specified otherwise.

2.2.4 Continuity Lines - shall be a single line, 200 mm wide, white or yellow in colour and may be broken or solid. When broken, the continuity line shall consist of a line 5 metres long with a 5 metre skip distance between lines in a consecutive pattern. The depth of continuity line markings shall be 7 mm, 5 mm below and 2 mm above pavement surface, unless specified otherwise.

2.2.5 Chevrons – shall be white or yellow 600 mm wide, bordered by a 200mm solid line and installed as per the Required Permanent Markings at Chevrons Plan No. 102-0028-009r001. The depth of chevron markings shall be 7 mm, 5 mm below and 2 mm above pavement surface, unless specified otherwise.

2.3 Intersection Markings

Intersection markings shall be installed as per the Required Permanent Markings at Intersection Plan No. 102-0028-008r001.

2.3.1 Stop Lines - shall be a single solid line, 600 mm wide and white in colour. The depth of stop line markings shall be 12 mm, 10 mm below and 2 mm above pavement surface, unless specified otherwise.

2.3.2 Crosswalk Lines - Shall be two parallel solid lines, 150 mm wide and white in colour. The lines shall be 3.0m apart. The depth of crosswalk line markings shall be 12 mm, 10 mm below and 2 mm above pavement surface unless specified otherwise. Crosswalk markings shall be installed as per Crosswalk Pavement Markings Plan No. 102-0028-001r002.

2.3.3 'Zebra' Crosswalk - Shall be two parallel solid lines, 100 mm wide and white in colour, with alternating longitudinal lines 1000mm wide and 3.0m long, separated by 1000mm spaces across the roadway. The longitudinal lines shall be located transversely to minimize application in the established vehicle wheel path. The depth of zebra crosswalk markings shall be 10 mm, 8 mm below and 2 mm above pavement surface unless specified otherwise. Zebra crosswalk markings shall be installed as per Crosswalk Pavement Markings Plan No. 102-0028-001r002.

2.3.4 Arrows/Symbols - shall be white and designed according to the Uniform Traffic Control Device Manual for Canada or City Standard. The depth of arrow markings shall be 7 mm, 5 mm below and 2 mm above pavement surface, unless specified otherwise.

2.3.5 Guide Lines - shall be white, 100 mm wide and shall be placed through intersections as extensions of lane lines 0.5 metres long spaced at 0.5 metres. The depth of guide line markings shall be 12 mm, 10 mm below and 2 mm above pavement surface, unless specified otherwise.

07040-3 MATERIAL

3.1 General

The material shall be applied to the road surface while in the liquid form and shall sufficiently set to allow traffic to drive over the material with no adverse affects to the material or vehicle. In the solid (dried) state, the material shall not give off fumes which are toxic or otherwise injurious to persons or property.

3.2 Durability

The dried material shall not deteriorate, crack, or decay during air temperature changes within -50 C to +50 C and with exposure to UV light. The material shall not deteriorate by contact with sodium chloride, calcium chloride, or other chemicals used against formation of ice on roadways; oil content of pavement materials; or motor vehicle oil or other fluids.

3.3 Colour

After setting, the colour of the white material shall be similar to standard number 37875 of the standard U.S. Federal Standard 595B, and yellow shall be similar to standard number 33538. The material shall not discolour when exposed to UV light. The material shall maintain its relative colour over the duration of the warranty period (the white marking shall not 'grey', nor shall the yellow material 'fade').

3.4 Reflectorization

During placement, glass spheres shall be mixed into the material to the extent required to achieve high levels of retroreflectivity. The pavement marking material shall bond with the beads sufficiently to ensure retention of the beads throughout the life cycle of the pavement marking. The retroreflectivity of the pavement marking shall be measured using a retroreflectometer and shall maintain a minimum reflectance value of 75 mcd/sqm/lux at the end of the warranty period for both colours.

The glass beads shall be manufactured from glass of a composition designed to be highly resistant to traffic wear and to the effects of weathering. The beads shall be transparent and colourless to prevent their imparting of any noticeable hue to the paint. Glass beads shall also be applied to surface of extruded material before it has set, at a rate of 140 to 250 g/m².

3.5 Properties

3.5.1 Drying Time

The material will be considered dried when a vehicle can drive over the material with no adverse affect to the material or vehicle. The drying time shall not exceed 20 minutes during average summer temperatures and humidity and shall be completely dry after one hour.

3.5.2 Water Absorption

The material shall have no more than 0.5 percent by weight of retained water when tested by ASTM designation D-570, “Water Absorption of Plastics” procedure (A) (24 hr. Immersion).

3.5.3 Softening Point

The material shall have a softening point of not less than 90 C, as determined by ASTM designation E-28, “Method of Test for Softening Point by Ring and Ball Apparatus”.

3.5.4 Specific Gravity

The specific gravity of the material shall be from 1.9 to 2.2 at 25 C.

3.5.5 Impact Resistance

The impact resistance of the material shall not be less than 1.13 Newton-Metres at 25 C after the material has been heated for four hours at 204 C and cast into bars of 25 mm² cross sectional area, 75 mm long and placed with 25 mm extending above the vice in a cantilever beam tester using 2.82 Newton-Metre scale. This instrument is described in ASTM designation D-246.

3.5.6 Abrasion Resistance

The material shall have a maximum weight loss of 1.0 grams when subjected to 200 revolutions on a Taber Abraider at 25 C using h-22 Calibrade wheels weighted to 500 grams. The test sample shall be prepared by forming representative lots of material of a thickness of 3.0 mm \pm 0.1 mm on a 100 mm square plate. The test surface shall be kept wet during the test.

3.5.7 Indentation Resistance

The indentation resistance of the material shall be measured by a Shore Durometer Type A2 as described in ASTM designation, D-1706. The reading of the Shore Durometer after 15 seconds and using a 0.907 Kilogram weight shall not be less than the amounts specified below when the material is tested for temperature:

<u>Temperature</u>	<u>Reading</u>
46 C	65 \pm 2
25 C	95 \pm 2

3.5.8 Chemical Resistance

Material test sections, 5 cm x 5 cm should show no signs of degradation after exposure to:

5% NaCl (24 hr. Immersion)

5% CaCl (24 hr. Immersion)

3.6 Glass Beads

The surface of the spheres shall be smooth and free from film, scratches and pits. At least 80 percent shall be of true spherical shape and free from milkiness, dark or air inclusions and other defects.

The liquid immersion method of 25 C may be used to determine the refractive index of the glass spheres. A refractive index of 1.50 to 1.60 is required.

The glass spheres shall meet the following gradation requirements when tested in accordance with ASTM designation D-12214.

Spheres included in the manufacture of the thermoplastic material:

<u>Standard Sieve</u>	<u>% Passing</u>
Passing #900 µm	90 – 100
Passing #300 µm	20 – 50
Passing #200 µm	0 – 10

07040-4 INSTALLATION

4.1 General

The thermoplastic material shall be installed in a groove ground into the pavement surface. The material shall completely fill the groove and extend not less than 2.0 mm above the pavement surface. The depths of the groove vary for different markings and are specified in Section 07040-6.

4.2 Existing Pavement Markings

Where the location of the new thermoplastic markings conflict with existing pavement markings, such as paint, the new marking shall be installed in the same line as the existing marking, ensuring that the routed groove completely removes the previous marking material.

4.3 Application

4.3.1 Longitudinal Joints

The thermoplastic markings shall not be installed over a longitudinal joint or seam except transverse markings such as stop lines and crosswalk lines.

4.3.2 Road Surface

All work must be done on a clean dry road surface. All grooves must be clean and dry before the material is installed.

4.3.3 Application Temperature

To ensure the best possible adhesion, the material shall be applied in a melted state at a minimum temperature of 190 C for white markings and 165 C for yellow markings.

No material is to be laid when the air temperatures is below 5 C.

07040-5 TRAFFIC CONTROL AND WORK AREA

5.1 General

Work zone traffic controls shall be set up in accordance with the City of Saskatoon Traffic Control Manual 2004.

The Contractor shall at all times keep traffic congestion to a minimum. The work zone shall be limited to maintain one lane of traffic in all directions at all times. The work shall be carried out as quickly as possible to prevent excessive delay and inconvenience to traffic.

07040-6 WORKMANSHIP AND WARRANTY

6.1 Adhesion to Pavement

The Contractor shall make all tests and take all samples necessary to assure adequate adhesion between the pavement marking material and the roadway surfaces used by the City. Surface preparation is at the discretion of the Contractor and any markings installed over existing markings is covered by the warranty period even if the old marking bond is deemed to be the failed portion of the application.

6.2 Rejected Work

Poor workmanship such as insufficient material, wrong location, wavy lines, too much overflow, non-uniform lengths, shall be removed by the Contractor and replaced within seven calendar days. Surplus material shall be trimmed to give clean straight edges. The Engineer will give the Contractor written notice of any markings that have been rejected.

6.3 Warranty Period

The Engineer will issue a Completion Certificate for each month the Contractor performs work. The Contractor shall remedy all defects in the work due to faulty material, workmanship or everyday wear for a period of three (3) years from the date of installation.

The maintenance of the markings during the warranty period shall be the Contractor's responsibility and shall be carried on until expiration of the warranty period of which time the Contractor's responsibility shall cease, unless there is an outstanding order from the Engineer requiring the Contractor to correct some of the maintenance that has not been completed.

The Contractor shall supply the Owner with a written three (3) year warranty for retention of at least ninety (90) percent of the longitudinal markings and eighty (80) percent of the transverse markings.

The Engineer shall give the Contractor written notice of all defects observed within the warranty period.

In the event that the above minimum retention is not met, the Contractor will, at the option of the Engineer, either:

- 1) Replace the missing sections to the satisfaction of the Engineer at no expense to the City or;
- 2) Reimburse the City at the same rate the Contract was awarded, for the quantity of line failing to meet the minimum criteria.

07040-7 PAYMENT

Payment is to be made on the basis of the number of lineal metres of material installed as measured by the Engineer in the field for lines, and per unit for arrows/symbols as counted.

The unit prices are to include the complete cost of supplying and installing the material, surface preparation, and traffic accommodation (except traffic control on freeways). All costs associated with travel to and from the worksite shall be included in the unit prices.

END OF SPECIFICATION 07040

INDEX

07050-1	FAST DRY ALKYD - SCOPE	2
07050-2	FAST DRY ALKYD - GENERAL REQUIREMENTS	2
07050-3	FAST DRY ALKYD - SPECIFIC REQUIREMENTS	5
07050-4	FAST DRY WATERBORNE - SCOPE	7
07050-5	FAST DRY WATERBORNE - GENERAL REQUIREMENTS	7
07050-6	FAST DRY WATERBORNE - SPECIFIC REQUIREMENTS	10

07050-1 FAST DRY ALKYD - SCOPE

This specification covers the requirements for white and yellow fast dry alkyd traffic paint suitable for airless and air atomized spray application on bituminous highways for marking traffic lines.

07050-2 FAST DRY ALKYD – GENERAL REQUIREMENTS

This specification specifies the most efficient traffic paint possible with regard to service and cost. Service includes general appearance, color, night visibility, and durability. The composition of the paint shall be left to the discretion of the manufacturer, and it is their responsibility to formulate and produce a paint meeting the requirements specified herein.

Reflectorization of the paint lines will be obtained by the introduction of overlay-type glass beads during paint application. The application rate will be 550 grams of glass beads per litre of paint sprayed on the road surface.

The glass beads will be introduced or applied to the wet paint film by means of automatic spray guns and under air pressure.

2.1 Uniformity

The paint shall be homogenous and shall be well dispersed to a uniform and smooth consistency.

The paint shall be capable of easy application with an automatic spray gun. It shall flow evenly and smoothly without overspray, between 20°C to 60°C, using the internal atomization or airless spray.

2.2 Storage Stability

The paint shall not cake, liver, curdle, gel, thicken excessively, settle badly or show any objectionable properties for six months from date of delivery,

in the original unopened container when stored at a temperature not exceeding 40°C. At the end of this time, it should be capable of being mixed without difficulty to a uniform condition by simple stirring.

2.3 Colour

After drying, the paint shall be free from dirt or tint, and shall match the colours specified in Section 3.4 - Colour.

2.4 Packaging

The paint shall be packaged in 205 litre returnable “open head” drums or maximum 1230 litre tote tanks as specified in the order.

All containers are to be Canadian General Standards Board approved and certified for the transport of dangerous goods.

Each container shall be plainly marked showing quantity of content, lot and batch number, name and address of manufacturer, manufacturer’s code number for the paint and date of packaging.

Drums are to be good quality open head “returnable” type with 6.0 mil open top poly liners draped outside of containers with separate poly top.

Tote tanks will be mild steel construction with drum type lid. Tanks will contain 6.0 mil open top poly liners draped outside of tank with separate poly top. Outlet will be a 50 mm steel ball valve.

Container liners required for packaging are to be supplied by the supplier.

Tanks and drums are to be thoroughly cleaned including outlets and threaded connections, prior to refilling.

Top tied liners are not acceptable.

Supplier is to be responsible for transporting empty containers, tote tanks and liners returned to factory from City of Saskatoon storage compounds.

At the end of the season the supplier shall pick up the containers and tote tanks no later than December 15 of the current year.

The City of Saskatoon will be responsible for returning any containers and tote tanks to the supplier that are emptied after pick up date.

There will not be a deposit charge to the City of Saskatoon for delivered or returned containers.

The City of Saskatoon will not accept bent or damaged containers that are delivered to their site.

Colour of paint shall be clearly identified on each container. Containers shall be vapour-proof sealed.

2.5 Acceptance and Rejection

Paint furnished under contract shall be identical to any sample submitted for performance tests and subsequently approved. In the event that the traffic paint does not comply with these specifications or is not identical with the sample approved, the City shall return the paint to the manufacturer and the manufacturer shall be required to replace all such paint at their own expense, including all handling and transportation costs, with the replacement paint being received by the City within 48 hours of a reported problem. If the new supply is not received within the 48 hours or the replacement traffic paint is still not in compliance with the specifications, the City shall be entitled to reject the paint and seek a replacement product from an alternative supplier.

Supplier may be required to supply production quantities of paint prior to acceptance of total order for evaluation of drying characteristics as outlined in the specification requirements under Section 3.5 – Drying Properties.

2.6 Late Delivery

If the City of Saskatoon's Pavement Marking Program is jeopardized by late deliveries, the City retains the option to cancel the contract and procure material from alternate prequalified suppliers.

07050-3 FAST DRY ALKYD - SPECIFIC REQUIREMENTS

3.1 Hiding Power

The paint shall flow evenly and smoothly and cover solidly in one coat when applied at a rate of 6.15 m² per litre when tested using a PFUND CRYPTOMETER.

3.2 Viscosity

The viscosity of the paint shall be 80-95 Krebs Units at 25°C in accordance with ASTM D562.

While the viscosity of the original test sample may be anywhere within the stipulated range, the viscosity of all paint purchased on the basis of these performance tests shall be within plus or minus 5 Krebs Units of the original test sample throughout the production of the entire order providing such variation shall be entirely within the specified limits.

The paint shall have acceptable spraying characteristics within the required working temperature ranges.

3.3 Settling Rate

The paint shall provide a rating of 6 or higher according to ASTM D869.

3.4 Colour

White paint shall conform to Federal Standard 595 B Colours, number 37925. The yellow paint shall conform to Saskatchewan Highways and Infrastructure Yellow Traffic Paint Standard number 88001-SM.

3.5 Drying Properties

The paint shall dry in not more than 3 minutes when pre-heated to 60°C and tested according to ASTM Method D711.

However, the paint must dry to no-traffic pick up in 30 seconds or less when

heated to a temperature not exceeding 60°C, when applied to pavement by means of a conventional spray striping machine at a wet film thickness of $380 \pm 25 \mu\text{m}$; with the atmospheric temperature above 20°C.

3.6 Bleeding

The bleeding characteristics shall provide a rating of 6 or higher in accordance with ASTM D969 and ASTM D868.

3.7 Flexibility

The preparation of the test panels shall be in accordance with ASTM D609.

One coat of paint shall be applied to the clean abraded tin-plate panels. The coated panels shall then be air dried at room temperature for 18 hours and subsequently force dried in an oven for 1 hour at 105°C. The panels shall be removed from the oven and conditioned under room temperature for 24 hours.

The panels shall be bent to room temperature through 180 degrees over a 12.7mm mandrel in not less than 1 second and not more than 1.5 seconds while keeping the coated side uppermost. The bent area shall be examined under 10-power magnification. The paint shall not crack or peel when subjected to the bending test.

3.8 Solids by Volume

The Solids by Volume must be greater or equal to 50%, by comparing wet to dry film measurements, when tested in accordance with ASTM D2697.

3.9 Pigment Content by Mass

The total pigment content shall be greater than or equal to 50% by mass, when tested in accordance with ASTM D2371.

3.10 Retro-reflectivity

Suppliers must indicate the volume of solids for each sample provided.

07050-4 FAST DRY WATERBORNE - SCOPE

This specification covers the requirements for white and yellow fast dry acrylic water borne traffic paint suitable for airless and conventional spray application on bituminous highways for marking traffic lines.

07050-5 FAST DRY WATERBORNE – GENERAL REQUIREMENTS

This specification specifies the most efficient traffic paint possible with regard to service and cost. Service includes general appearance, colour, night visibility, and durability. The composition of the paint shall be left to the discretion of the manufacturer, and it is their responsibility to formulate and produce a paint meeting the requirements specified herein.

Reflectorization of the paint lines will be obtained by the introduction of overlay-type glass beads during paint application. The application rate will be 550 grams of glass beads per litre of paint sprayed on the road surface.

The glass beads will be introduced or applied to the wet paint film by means of automatic spray guns and under air pressure.

5.1 Uniformity

The paint shall be homogenous and shall be well dispersed to a uniform and smooth consistency.

The paint shall be capable of easy application with an automatic spray gun. It shall flow evenly and smoothly without overspray, between 20°C to 60°C, using the internal atomization or airless spray.

5.2 Storage Stability

The paint shall not cake, liver, curdle, gel, thicken excessively, settle badly or show any objectionable properties for six months from date of delivery,

in the original unopened container when stored at a temperature between 5°C and 40°C. At the end of this time, it should be capable of being mixed without difficulty to a uniform condition by simple stirring.

5.3 Colour

After drying, the paint shall be free from dirt or tint, and shall match the colours specified in Section 3.4 - Colour.

5.4 Packaging

The paint shall be packaged in 205 litre returnable “open head” drums or maximum 1230 litre tote tanks as specified in the order.

All containers are to be Canadian General Standards Board approved and certified for the transport of dangerous goods.

Each container shall be plainly marked showing quantity of content, lot and batch number, name and address of manufacturer, manufacturer’s code number for the paint and date of packaging.

Drums are to be good quality open head “returnable” type with 6.0 mil open top poly liners draped outside of containers with separate poly top.

Tote tanks will be mild steel construction with drum type lid. Tanks will contain 6.0 mil open top poly liners draped outside of tank with separate poly top. Outlet will be a 50 mm steel ball valve.

Container liners required for packaging are to be supplied by the supplier.

Tanks and drums are to be thoroughly cleaned including outlets and threaded connections, prior to refilling.

Top tied liners are not acceptable.

Supplier is to be responsible for transporting empty containers, tote tanks

and liners returned to factory from City of Saskatoon storage compounds.

At the end of the season the supplier shall pick up the containers and tote tanks no later than December 15 of the current year.

The City of Saskatoon will be responsible for returning any containers and tote tanks to the supplier that are emptied after pick up date.

There will not be a deposit charge to the City of Saskatoon for delivered or returned containers.

The City of Saskatoon will not accept bent or damaged containers that are delivered to their site.

Colour of paint shall be clearly identified on each container. Containers shall be vapour-proof sealed.

5.5 Acceptance and Rejection

Paint furnished under contract shall be identical to any sample submitted for performance tests and subsequently approved. In the event that the traffic paint does not comply with these specifications or is not identical with the sample approved, the manufacturer shall be required to replace all such paint at their own expense, including all handling and transportation.

Supplier may be required to supply production quantities of paint prior to acceptance of total order for evaluation of drying characteristics as outlined in the specification requirements under Section 3.5 – Drying Properties.

5.6 Late Delivery

If the City of Saskatoons' Pavement Marking Program is jeopardized by late deliveries, the City retains the option to cancel the contract and procure material from alternate prequalified suppliers.

07050-6 FAST DRY WATERBORNE - SPECIFIC REQUIREMENTS

6.1 Hiding Power

It shall flow evenly and smoothly and cover solidly in one coat when applied at a rate of 6.15 m² per litre when tested using a PFUND CRYPTOMETER..

6.2 Viscosity

The viscosity of the paint shall be 85-95 Krebs Units at 25°C in accordance with ASTM D562.

While the viscosity of the original test sample may be anywhere within the stipulated range, the viscosity of all paint purchased on the basis of these performance tests shall be within plus or minus 5 Krebs Units of the original test sample throughout the production of the entire order providing such variation shall be entirely within the specified limits.

The paint shall have acceptable spraying characteristics within the required working temperature ranges.

6.3 Settling Rate

The paint shall provide a rating of 6 or higher according to ASTM D869.

6.4 Colour

White paint shall conform to Federal Standard 595 B Colours, number 37925. The yellow paint shall conform to Saskatchewan Highways and Infrastructure Yellow Traffic Paint Standard number 88001-SM.

6.5 Drying Properties

The paint shall dry in not more than 3 minutes when pre-heated to 60°C and tested according to ASTM Method D711.

However, the paint must dry to no-traffic pick up in 30 seconds or less when heated to a temperature not exceeding 60°C, when applied to pavement by

means of a conventional spray striping machine at a wet film thickness of $305 \pm 25 \mu\text{m}$; with the atmospheric temperature above 20°C .

6.6 Bleeding

The bleeding characteristics shall provide a rating of 6 or higher in accordance with ASTM D969 and ASTM D868.

6.7 Flexibility

The preparation of the test panels shall be in accordance with ASTM D609.

One coat of paint shall be applied to the clean abraded tin-plate panels. The coated panels shall then be air dried at room temperature for 18 hours and subsequently force dried in an oven for 1 hour at 105°C . The panels shall be removed from the oven and conditioned under room temperature for 24 hours.

The panels shall be bent to room temperature through 180 degrees over a 12.7mm mandrel in not less than 1 second and not more than 1.5 seconds while keeping the coated side uppermost. The bent area shall be examined under 10-power magnification. The paint shall not crack or peel when subjected to the bending test.

6.8 Solids by Volume

The Solids by Volume must be greater or equal to 55%, by comparing wet to dry film measurements, when tested in accordance with ASTM D2697.

6.9 Pigment Content by Mass

The total pigment content shall be greater than or equal to 50% by mass, when tested in accordance with ASTM D3723.

6.10 Retro-reflectivity

Suppliers must indicate the volume of solids for each sample provided.

END OF SPECIFICATION 07050

INDEX

		<u>Page</u>
08000-1	SCOPE	2
08000-2	NEW MATERIAL	2
08000-3	PRODUCT APPROVAL	2
08000-4	CORROSION PROTECTION	3
	4.1 Asphaltic Coatings	3
	4.2 Field Coatings	3
	4.3 Bolts	3
	4.4 Anodes	3
08000-5	INSULATION	5
08000-6	GEOTEXTILE	6
08000-7	GRANULAR MATERIALS	6
	7.1 Pipe Bedding	6
	7.2 Street Surface & Base Gravel	6
	7.3 Crushed Rock	7
	7.4 Plaster Sand	7
08000-8	UNSHRINKABLE FILL	7
08000-9	CONCRETE	7

08000-1 **SCOPE**

This Section includes the procedures for obtaining Product Approval and describes certain general materials which have been approved for use in the construction of water and sewage mains in the City of Saskatoon. This Section shall be read in conjunction with Sections 08001, Construction Materials - Water Mains and 08002, Construction Materials - Sewage Mains. Materials which have not been approved for use in any of these three Sections, may only be used with the written approval of the Director of Construction & Design.

08000-2 **NEW MATERIAL**

All material supplied under this Contract shall be newly manufactured and free from all defects. Salvaged materials from prior use will not be accepted. Materials which have been in storage may not be accepted unless the Supplier can demonstrate that the materials have not been damaged in any way during storage.

08000-3 **PRODUCT APPROVAL**

Suppliers wishing to have a product approved for use in the City of Saskatoon shall submit the following items:

1. A description of the product including detailed drawings and specifications.
2. A sample of the product.
3. Test results indicating compliance with the industry standard specifications such as AWWA, ASTM or CSA. Tests shall be certified by a Professional Engineer from an independent testing firm.

4. A list of users who may be contacted with respect to the product's performance.

At least 8 weeks will be required to evaluate the product. Approval for use in the City of Saskatoon shall be at the discretion of the Director of Construction & Design.

08000-4 CORROSION PROTECTION

4.1 Asphaltic Coatings

Ferrous metal products for buried installation shall be coated with asphaltic varnish in accordance with Section 10-8.1 of AWWA C110-82.

4.2 Field Coatings

Field coatings shall be Denso paste and tape as supplied by DENSO of Canada Ltd., POLYKEN 927 primer and POLYKEN 932 tape, or approved equal.

4.3 Bolts

Bolts which will be used as a fastening device on any material which will be buried underground shall be type A-304 stainless steel as per ASTM A276.

4.4 Anodes

Galvanic Zinc anodes shall generally be comprised of an insulated electrical copper lead wire, Type II zinc casting, a cardboard tube, and low resistivity backfill. References to the weight of the zinc anode shall be understood to mean the weight of the zinc in the package anode.

The anode lead wire shall be a minimum 3.0 meters of No. 10 American Wire Gauge (AWG) Standard (7 Strand) Copper wire with white TWU minus 40 Degree Centigrade insulation conforming to CSA C22.2 No 75.

Galvanic Zinc anodes shall be made of zinc conforming to ASTM B418-09 Type II. The Anode shall have the following composition:

Aluminium	0.005% Maximum
Cadmium	0.003% Maximum
Iron	0.0014% Maximum
Lead	0.003% Maximum
Copper	0.002% Maximum
Zinc	Remainder

Anode composition shall be determined by an independent testing laboratory and test results verifying compliance with these specification shall be provided. Sampling and methods of zinc anode chemical analysis shall be on accordance with ASTM B418-09.

The zinc shall be cast directly around a minimum of 3.17 mm diameter galvanised steel core. The lead wire shall be connected to the steel core with silver solder and the connections shall be insulated by filling the recess and any voids in the lead wire connection with an electrical potting compound.

The anode shall be packaged in a rugged water permeable cardboard tube with a minim wall thickness of 2.3 mm. The diameter and length of the cardboard tube shall suit the dimensions of the zinc casting and backfill material so that a minimum 25 mm of backfill is provided between the anode and the tube.

Plastic spacers shall be used to centre the anode. The tube ends shall be sealed with plastic caps.

Anode backfill shall be low resistivity (45 ohm-cm Max) gypsum/bentonite backfill to the following:

Ground Hydrated Gypsum	75-77%
Powdered Wyoming Bentonite	15-20%
Anhydrous Sodium Sulphate	5-8%

The backfill shall have a grain size so that 100% is capable of passing through a 20 mesh screen and 50% will be retained by a 100 mesh screen. The backfill shall be firmly packaged around the anode by means of adequate vibration. Back fill material shall be sufficient quantity to cover all zinc anodes surfaces.

The anode shall be marked with the manufacturer's name, location, type of anode (Type II to ASTM B418-09 zinc), Zinc weight, date of manufacture and lot number.

08000-5 INSULATION

Insulation shall be closed-cell, rigid sheets manufactured from polystyrene foam or approved equal suitable for buried installation. The material shall conform to the following specifications as per the City of Saskatoon Standard Drawing 102-0012-007 available on the City's web site:

Thermal Resistance 1.74 °C/m²/50 mm as per ASTM C177 and C518.

Compressive Strength 275 kPa (min.) as per ASTM D1621.

Shear Strength 200 kPa (avg.) as per ASTM D1621.

Water Absorption 0.7% by volume (max.) as per ASTM D2842.

08000-6 GEOTEXTILE

The Geotextile which may be used in trenches to separate aggregates shall be a 100% polyester, non-woven, needle punched engineering fabric with a minimum thickness of 1.90 mm. .

08000-7 GRANULAR MATERIALS

Granular materials shall consist of fragments of durable rock and shall be free from undesirable quantities of soft or flaky particles of shale, loam, organic or other deleterious material.

7.1 Pipe Bedding

Specifications for pipe bedding aggregate are contained in the Aggregates Specifications 03001-3.2.7 “Pipe Bedding Aggregate”.

7.2 Street Surface & Base Gravel

Specifications for gravel to be used for pavement base and street surfacing are contained in the Aggregates Specifications 03001-3.2.2 “Base Aggregate”.

7.3 Crushed Rock

Specifications for crushed rock to be used for the stabilization of the trench bottom or otherwise as directed by the Engineer are contained in the Aggregates Specifications 03001-3.2.8 “Crushed Rock”.

7.4 Plaster Sand

Specifications for sand to be used in the production of plaster or mortar are contained in the Aggregates Specifications 03001-3.2.6 “Plaster Sand”.

08000-8 NON SHRINK / UNSHRINKABLE FILL

Specifications for unshrinkable fill are contained in the Aggregates Specifications 03001-3.2.12 “Unshrinkable Fill”.

08000-9 CONCRETE

Type HS/HSb sulphate resistant cement shall be used in the manufacture of ready mixed concrete and all other concrete products used. The exposure class of concrete shall be A-1/S-2 as per CSA A23.1 concrete exposure classes.

Slump tests shall be taken using standard Method of Slump Test for consistency of Portland Cement Concrete as described in CSA A23.2-5C. The consistency of the concrete shall be such that the slump shall not exceed 100mm or be less than 50mm. Non-compliance with the slump specified shall constitute sufficient ground for rejection of the concrete.

Concrete shall meet CSA specification unless otherwise specified and the air content shall be as follows:

1. Minimum specified 28-day compressive strength: 35 MPa
2. Air content: 5% to 8%
3. Maximum aggregate size: 20mm

Addition of superplasticizer to achieve workable mix is permitted only on the Engineer's approval.

END OF SPECIFICATION 08000

INDEX

08001-1	SCOPE	2
08001-2	PIPE	2
	2.1 Polyvinyl Chloride	2
	2.2 Polyethylene	2
08001-3	VALVES	3
	3.1 Gate Valves	3
	3.2 Butterfly Valves	4
	3.3 Valve Boxes	4
08001-4	HYDRANTS	6
08001-5	FITTINGS	8
	5.1 Cast Iron	8
	5.2 Polyvinyl Chloride	8
	5.3 Fabricated Fittings	8
08001-6	PIPE COUPLINGS	9
08001-7	REPAIR COUPLINGS	11

08001-1 **SCOPE**

This Section describes materials which have been approved for use in the construction of 150 mm to 300 mm diameter water mains in the City of Saskatoon. The material shall be suitable for use in a potable water system.

08001-2 **PIPE**

2.1 **Polyvinyl Chloride (PVC)**

PVC pipe shall be designed for a working pressure of 1035 kPa and may be used for all sizes from 150 mm to 300 mm diameter. The joint shall be bell and spigot type. The pipe shall be supplied with factory installed elastomeric gasket in the bell end. The pipe shall conform to AWWA C900-81.

2.2 **Polyethylene**

Polyethylene pipe may be used in special cases when approved by the Director of Construction & Design. Polyethylene pipe shall conform to the most current Canadian Government Specification No. 41-GP-25m. Joints shall be butt fused in accordance with the manufacturer's recommendations. Mechanical joints will only be allowed at valves and other locations approved by the Engineer.

08001-3 **VALVES**

3.1 **Gate Valves**

Gate valves shall be designed for a minimum working pressure of 1724 kPa and shall be suitable for buried service on horizontal mains.

The valve body shall be either grey cast iron according to ASTM A126-04 class B or ductile iron according to ASTM A536-84. The valve shall have a non rising stem and "O"-ring stem seals. Ductile valve sizes less than twelve (12) inch shall be according to AWWA C509 and valve sizes fourteen (14) inch and up shall be according to AWWA C515 with reduced wall thickness.

Valves shall be supplied with all rubber gaskets required for installation in compliance with ANSI/AWWA C111/A21.11.

External bolts shall be Type 304 stainless steel.

The valve shall be operated by a 50 mm square operating nut which shall turn counter clockwise to open.

3.1.1 **Double Disc Valves**

In addition to the above specifications, double disk valves shall conform to AWWA C500-80 and all current revisions. The valves shall be bronze mounted with a bronze gate. The manufacturer shall supply information in compliance with Section 1.4 of AWWA C500-80. At the time of delivery, the manufacturer shall supply information in compliance with Section 2.2 and 5.2 of AWWA C509-87.

3.1.2 Resilient-seated Valves

In addition to the above specifications, resilient-seated valves shall conform to AWWA C509-87. The manufacturer shall supply information in compliance with Section 1.4, 1.5 and 6.2 of AWWA C509-87. At the time of delivery, the manufacturer shall supply information in compliance with Section 6.3 of AWWA C509-87.

3.2 Butterfly Valves

Butterfly valves which are suitable for buried installation and operation on horizontal mains may be used for 300 mm water mains and shall conform to AWWA C504-80 for Class 150 B valves.

Valves shall be supplied with all gaskets and bolts required for installation.

The valves shall be iron body with stainless steel shaft and "O"-ring stem seals. The disk shall be cast iron with rubber or stainless steel seating edge. External bolts shall be Type 304 stainless steel.

The valve shall have a manual operator with non rising stem and 50 mm square operating nut which shall turn counter clockwise to open.

3.3 Valve Boxes

3.3.1 Valve Boxes - Steel and Cast Iron

Valve boxes shall be the sliding type with cast iron top section and boot. The middle section may be either cast iron or steel. The minimum wall thickness shall be 4.6 mm and the box shall extend from 2440 mm to 3280 mm. The boot shall have a minimum inside diameter of 190.5 mm for 150 mm to 200 mm valves and 215.0 mm for 250 mm to 300 mm valves. The valve box shall be supplied with a cast iron cover.

The operating rod shall be solid steel, 32 mm square, with a 50 mm square operating nut and socket. The operating nut shall be connected to the top of the rod with a brass cotter key. The socket at the bottom shall be connected with a 9 mm stainless steel bolt and nut. For water mains and connections at 3 metre depth, the total length of the rod including nut and socket shall be 2130 mm. For water mains and connections at depths more than 3 metres, the top of the extension rod shall not be more than 600 mm or less than 300 mm below the top of the valve box. The rod shall be supplied with a stone and centring disk. A guide plate shall be supplied and installed below the valve operating nut.

All castings shall be clean and sound. A 15 mil (minimum) fusion bonded epoxy coating shall be applied to the top, bottom and mid-sections as follows:

The fusion bonded epoxy coating and its application shall conform to AWWA Standard C213-96 and all current revisions. The coating shall be a 100% solid, thermosetting, fusion bonded, dry powder epoxy resin, approved for contact with potable water by the National Sanitation Foundation (NSF). Powders shall be one of the following products or an approved equal:

Valspar, D 1003 LD

Valspar, G 1003 RB

Nap-Gard Mark X 7-2500

3M, Scotchkote 134

Surface Preparation shall conform to Sec. 3.2 of AWWA Standard C213-96 and all current revisions. Coatings shall be applied to a preheated surface by the fluidized bed method or the electrostatic powder spray gun method. The coating thickness shall be 0.50mm (15 mil) minimum, 0.64mm (20 mil) maximum.

3.3.2 Valve Boxes - Plastic

Valve boxes shall be the sliding type with a ductile iron top socket and lid. The top socket and lid shall both have corrosion resistive bitumous coating.

The upper assembly shall be polypropylene with the middle section being PVC. The box shall extend from 2440mm to 3280mm.

The boot shall be made from a single molded piece of ABS or PVC plastic and have a minimum inside diameter of 190.5mm for 150mm to 200mm valves, or 215mm for 250mm to 300mm valves.

The operating rod shall be solid steel, 32mm square, with a 50mm square operating nut and socket. The rod shall be supplied with a stone and centering disk. A guide plate shall be supplied and installed below the valve operating nut.

08001-4 HYDRANTS

Hydrants shall conform to AWWA C502-80 and shall have a compression type main valve of 127 mm nominal diameter which closes with water pressure. The stem and ground line flange shall be designed to break on impact. The operating nut shall be rotated counter clockwise to open the hydrant.

The hydrant shall have two 65 mm nozzles and one 114 mm pumper nozzle. The nozzle threads shall be to City standard, 6 threads per inch for 65 mm nozzles and 8 threads per inch for 114 mm nozzles. The operating nut on the top of the hydrant and on the nozzle caps shall be triangular and shall match the City of Saskatoon standard. Nozzle caps shall be fitted with chains or cables and shall be secured to the hydrant.

The inlet elbow (boot) shall be supplied with rubber gasket and shall be suitable for connection to 150 mm pipe. Hydrant Base Slabs Shall be 450 mm x 450 mm x 100 mm.

The length of bury, from the ground line flange to the bottom of the boot, shall be 2900 mm. The hydrant barrel, and stem shall be capable of extension at the ground line flange.

The hydrant shall be painted with two coats of highway yellow enamel from the factory. Bolts and/or studs and nuts below ground shall be A304 stainless steel.

Prior to painting, the hydrant shall be thoroughly cleaned according to preparation directions on the paint specified. The hydrant shall then be primed if required using an anti-rust alkyd primer to cover bare metal or rust. The entire hydrant shall be painted in yellow up to and including the breakaway flange if necessary. If a significant portion of the barrel is exposed, it shall be painted black. Paint shall be applied so that moving parts and hood covers do not become “painted shut”. This is particularly important for operating nuts, port caps and chains. Brass parts shall be left unpainted. Hydrant hood covers shall be painted according to the Water Main Colour coding table with either Devoe Devguard or Metalclad Alkyd Gloss Enamel. No other colours, marking or designs shall be on the hydrant.

Water Main Colour Coding		Paint Product Number	
Water Main Size	Hood Colour	Devoe Devguard	Metalclad
150mm (6")	Safety Red	4308-9000	218419
200mm (8")	Safety Yellow	4308-9400	218413
250mm (10")	Black	4308-9990	218420
300mm (14")	Imperial Blue	4308-7850	*
350mm (14")	Safety Orange	4308-9200	218427
400mm (16")	Safety Green	4308-9700	*
450mm (18") and larger	Silver (Aluminum)	4308-9020	218420

*Metalclad neutral base can be colour matched to Imperial Blue and Safety Green.

08001-5 **FITTINGS**

The following fittings may be used on distribution mains up to 300 mm diameter:

5.1 **Cast Iron**

Cast iron fittings shall conform to AWWA C110-82 and shall be suitable for working pressure of 1035 kPa.

The fittings shall be cast from grey iron only with rubber gasket joints conforming to AWWA C111-80. Gaskets shall be supplied with the fitting. The fittings shall be coated with asphaltic varnish.

5.2 **Polyvinyl Chloride**

Polyvinyl Chloride fittings shall be HARCO Class 150 as manufactured by the Harrington Corporation, or approved equal.

5.3 **Fabricated Fittings**

Fabricated fittings, manufactured in accordance with the requirements of AWWA C900-97, may be used on distribution mains from 150mm to 300mm diameter. Such fittings shall meet the testing requirements of CSA specification B137.3. Upon request from the Engineer, proof of compliance with testing requirements shall be provided.

Fabricated fittings, manufactured in accordance with the requirements of AWWA C905-97, may be used on distribution mains from 400mm to 1200mm diameter on a project to project basis as determined by the Engineer. Such fittings shall meet the testing requirements of CSA specification B137.3. Upon request from the Engineer, proof of compliance with testing requirements shall be provided.

08001-6 **PIPE COUPLINGS**

Pipe couplings shall be manufactured in compliance with AWWA **C219-11** or the most current specification. The Coupling shall be supplied with a center ring and end plates produced from either Ductile iron conforming to ASTM A536-84, Carbon steel conforming to ASTM A512 and A53 with a yield strength of 30,000 psi or Cast Iron Conforming to ASTM A97 Grade 32510 or 35018. The center ring shall be clearly and permanently marked with the manufacturers name and OD range. Gaskets shall be made of virgin rubber for water service and have a good shelf life with antioxidant and antiozonant properties. Gaskets shall be clearly and permanently marked with the nominal size, pipe OD working range, and the manufacturers' name. The Gaskets shall conform to **NSF/ANSI 61**, ASTM D2000 **and the latest version of AWWA C111.**

Couplings shall have the following overall lengths and bolt numbers:

Nominal Size <u>mm (inches)</u>	Minimum Overall Length <u>mm (inches)</u>	Minimum No. of bolts <u>16 mm (5/8")</u>
100 (4)	140 (5.6)	4
150 (6)	178 (7)	4
200 (8)	175 (6.9)	5
250 (10)	175 (6.9)	6
300 (12)	175 (6.9)	8
350 (14)	180 (7.1)	9
400 (16)	180 (7.1)	10

All couplings shall be supplied complete with cap anodes for each bolt on the coupling. The Anodes shall be Zinc complying with ASTM B418-09 Type II and shall be a minimum of 300 grams.

Bolts shall be a minimum of 16 mm (5/8") diameter track head type. Bolts and nuts shall be made of high strength, low alloy steel with NC thread and heavy hex nuts conforming with the AWWA C111-85 standard. The bolt length shall be sufficient to allow for the installation of anodes following installation of the coupling.

The center ring, end plates and bolts shall be factory coated with either fusion bonded epoxy or nylon coating. The requirements for each option are as follows:

Fusion bond epoxy coating shall conform to the AWWA C213-85 standard. The coating thickness shall be 0.30 mm (0.012") minimum and 0.50 mm (0.020") maximum. Electrical conductivity must be provided between bolts and end plates and between end plates by removing a small portion of the coating from under the

nut bearing area. Each end plate shall be provided with one 6 mm (1/4") NC cadmium plated set screw for electrical conductivity between the end plate and the center ring.

Or

Nylon coating shall conform to Rilsan Nylon 11 in compliance with Wis 4-53-02 Part 1 shall be used to coat the body, end plates and bolts of the coupling.

Couplings shall be packaged and delivered as a complete unit (i.e.: center ring, gaskets, and end plates, nuts, bolts and anodes shall be packaged as a single unit). Couplings shall be available for all nominal pipe sizes between 100 mm and 400 mm (4 to 16 inches) to accommodate cast iron, PVC, rough barrel and machined end asbestos cement class 150 and standard steel pipe.

08001-7 **REPAIR COUPLINGS**

Repair couplings shall be Robar 5600 or approved equal.

The material of the repair coupling shall be fully passivated all Stainless Steel construction. Gaskets shall be full wrap-around SBR (Buna S) rubber gaskets. Fasteners shall be T304 Stainless Steel material.

Repair couplings shall have a minimum length to diameter ratio of 1.5:1.

END OF SPECIFICATION 08001

INDEX

08002-1	SCOPE	2
08002-2	CONCRETE	2
08002-3	SEWER PIPE	2
	3.1 Polyvinyl Chloride (PVC)	2
	3.2 Reinforced Concrete	3
	3.3 Polyethylene Pipe	4
	3.4 Perforated Pipe	4
08002-4	STANDARD MANHOLES	4
	4.1 1050 mm Manholes	5
	4.2 1200 mm Manholes	6
	4.3 Cast Iron Frame and Cover/Grate	6
08002-5	PIPE TO MANHOLE AND CONCRETE STRUCTURE CONNECTORS	8
	5.1 Cored Hole Compression-Type Connector	8
	5.2 Cored Hole Clamp-Type Connector	9
	5.3 Cast-In Compression-Type Connector	9
	5.4 Grouted-In Connector	10

08002-1 **SCOPE**

This Section describes materials which have been approved for use in the construction of gravity, sanitary and storm sewage mains in the City of Saskatoon. Sewage force mains shall be constructed using pressure pipe, as described in Section 08001, Construction Materials - Water Mains.

08002-2 **CONCRETE**

Notwithstanding the provisions of any other specification, Type HS/HSb sulphate resistant cement shall be used in the manufacture of concrete sewer pipe, manhole barrels and other concrete products described herein.

08002-3 **SEWER PIPE**

The minimum size of pipe which shall be used for the construction of sanitary sewage mains, catch basin lead and storm sewage mains shall be 200 mm, 250 mm and 300 mm respectively.

The minimum size of pipe for roadway subdrainage piping shall be 100 mm diameter.

3.1 **Polyvinyl Chloride (PVC)**

3.1.1 **(Type PSM) PVC Pipe**

Smooth wall PVC pipe shall conform to ASTM D3034 and CSA B182.2. The SDR shall not be greater than 35. The pipe shall be supplied with factory installed elastomeric gaskets. Applications include sanitary and storm sewage mains and catch basin leads.

3.1.2 Profile PVC Pipe

Profile PVC pipe shall conform to ASTM F794 and CSA B182.4. The pipe shall be open profile (OP) or dual wall corrugated profile (DWCP). The pipe shall be supplied with factory installed elastomeric gaskets. Applications include storm sewage mains only.

3.2 Reinforced Concrete

Reinforced concrete pipe shall be manufactured according to the 5 classes in ASTM C76M-08a or for a specific D-load in ASTM C655M-09.

Pipe larger than 1200 mm shall have a tapered lift hole. A tapered plug shall be supplied to seal the hole. No portion of the plug shall extend into the pipe.

The laying length of standard pipe sections shall not be less than 1.8 m. Bevelled pipe for laying on curves shall be either standard length or one-half standard length. The tolerance on the bevel shall not exceed ± 0.001 of the pipe diameter.

3.2.1 **Joints**

Joints shall be the rubber gasket type.

For all pipe installed the joints shall conform to either ASTM C443M-07 or ASTM C361M-08.

3.2.2 **Basis of Acceptance**

Unless otherwise specified acceptance shall be based on tests described in either ASTM C76M-08a or ASTM C655M-09.

All tests shall be certified by an independent testing firm.

3.3 Polyethylene Pipe

Polyethylene pipe may be used in special cases when approved by the Director of Construction & Design.

Polyethylene pipe shall conform to the current Canadian Government Specification No. 41-GP-25m. Joints shall be butt fused in accordance with the manufacturer's recommendations.

3.4 Perforated Pipe

Perforated drainage pipe shall be corrugated HDPE pipe with geotextile sock suitable for fine grained soils. The HDPE pipe shall conform to ASTM F405 or ASTM F667 and shall have a minimum stiffness of 200 kPa at 5% deflections according to ASTM D2412. Connection to the catch basin shall be made with a 100 mm diameter SDR35 PVC pipe.

3.4.1 Joints

Couplings shall be silt tight joints and conform to the specifications of ASTM F405 or ASTM F667.

08002-4 STANDARD MANHOLES

Precast reinforced concrete manhole barrels, top sections, bases and grade rings shall be manufactured in accordance with the requirements of ASTM Specification C478M-09 and all current revisions.

Twenty (20) mm diameter ribbed, extruded aluminium step rungs, equal to Model 350 Climbing Step as manufactured by MSU Mississauga or an equivalent as approved by the Director of Construction & Design, shall be installed in all manhole barrels.

Step rungs shall be uniformly spaced with centres not more than 305 mm apart.

A minimum clearance of 150mm shall be maintained between the rungs and the manhole barrel.

Notwithstanding the provisions of ASTM C478M-09, the barrels, bases, top slabs and grade rings shall be manufactured in accordance with the dimensions and details shown on current City of Saskatoon Standard Drawings as posted on the City's Internet web site.

Lifting inserts shall be installed in all manhole barrels and cone tops (eccentric and concentric) for the purpose of lifting and installation. Catch basins shall NOT be equipped with lift holes.

Further to the requirements of article 17 of ASTM C478M-09, the specification designation, the name or trade mark of the manufacturer and the date of manufacture shall be clearly marked, with waterproof paint, on the inside surface of each manhole and catch basin section.

Manhole Safety Platforms, where required, shall be manufactured in accordance with the detailed drawing supplied with these specifications.

4.1 1050 mm Manholes

Notwithstanding the provisions of ASTM Specification C478M-09, all 1050 mm diameter manhole barrel sections shall be manufactured with a minimum wall thickness of 89 mm (ASTM Class "A" Wall). The top section shall be concentric reducing from 1050 mm to 600 mm. Steps shall be spaced at 406 mm and staggered on opposite sides of the barrel.

1050mm manhole barrels and concentric cone to be used exclusively for rehabilitation work on existing 1050mm manhole bases. 1050mm manholes are not permitted for new construction or reconstruction.

4.2 1200 mm Manholes

Notwithstanding the provisions of ASTM Specification C478M-09, all 1200 mm diameter manhole barrel sections shall be manufactured with a minimum wall thickness of 127 mm (ASTM Class "B" Wall). The top section shall be eccentric reducing from 1200 mm to 600 mm. Steps shall be spaced at 305 mm, in line, along one side of the barrel.

All 1200 mm manhole barrel sections shall have single offset or grooved O-ring rubber gasket joints manufactured in accordance with the provisions of ASTM Specification C443M-07 and all current revisions. The offset or O-ring rubber gasket shall be approved by the Director of Construction & Design prior to manufacture and acceptance of the manhole barrels. A rubber gasket shall be provided with each manhole section which is supplied.

4.3 Cast Iron Frame and Cover/Grate

Castings shall be grey cast iron and shall be clean, sound and coated with asphaltic varnish.

4.3.1 Manhole Frame and Cover

1. The manhole frame and cover shall be manufactured in accordance with the dimensions shown on current City of Saskatoon Standard Drawings as posted on the City's Internet web site.
2. Castings shall conform to all requirements of ASTM designation A48M-00 class 20B.
3. Castings shall be produced to the dimensions and within the

tolerances noted.

4. Castings shall be marked with the proper identification markings which will include:
 - Foundry identification markings and year of casting
 - Markings shall be so located in such a manner and of such size that they are easily identifiable after installation
5. All castings shall be free of defects, be true to pattern and be free from cracks, gas holes, flaws and excessive shrinkage. Surfaces of castings shall be free from burnt- on sand and shall be reasonably smooth.
6. Castings shall not rock when installed. The manufacturer shall trial fit the castings against a standard frame.

08002-5 PIPE TO MANHOLE AND CONCRETE STRUCTURE CONNECTORS

Watertight resilient flexible connections between pipe to manhole and concrete structures shall meet or exceed the requirements of ASTM Specification C923, including physical properties of materials and performance testing.

Connectors shall be installed in accordance to manufacture’s specifications. Specialty installation tools shall be acquired from the manufacturer prior to installation.

For precast manhole bases and concrete structures, flexible clamp-type connectors shall be installed by an approved manhole manufacturer.

5.1 Cored Hole Compression-Type Connector

The compression-type flexible connector shall be installed in a precast or cast-in-place manhole or concrete structure with a precision cast or cored hole of specific diameter.

The hole shall be free of imperfections and intruding rebar or wire mesh reinforcement.

Manufacturer	Connector	Pipe Type	Pipe Size (mm)
Press-Seal Corporation	Kwik Seal	*PVC	100–600 I.D.
		**CP	300-600 I.D.
Hamilton Kent	HKT-CS	*PVC	100-375 I.D.

***(Type PSM) smooth wall pipe. Contact the pipe manufacturer for profile to smooth wall pipe adapters. **Storm sewer applications only.**

5.2 Cored Hole Clamp-Type Connector

The clamp-type flexible connector shall be installed in a precast or cast-in-place manhole or concrete structure with a precision cast or cored hole of specific diameter.

Manufacturer	Connector	Pipe Type	Pipe Size (mm)
Press-Seal Corporation	PSX: Direct Drive & 8QRS	*PVC, CP	43-1130 O.D.

*(Type PSM) smooth wall pipe. Contact the pipe manufacturer for profile to smooth wall pipe adapters.

5.3 Cast-In Compression-Type Connector

The cast-in compression-type flexible connector shall be integrally cast into a concrete structure by an approved manhole manufacturer.

Manufacturer	Connector	Pipe Type	Pipe Size (mm)
Press-Seal Corporation	Econoseal	*PVC	107-389 O.D.
		*PVC	475-813 O.D.

*(Type PSM) smooth wall pipe. Contact the pipe manufacturer for profile to smooth wall pipe adapters.

5.4 Grouted-In Connector

The grouted-in rigid connector shall be used in cast-in-place structures and manhole doghouse field poured collars when flexible connectors are not an option. All other applications require approval by the City of Saskatoon.

Where required, a structural epoxy-based bonding adhesive and non-shrink Type HS sulphate resistant, cementitious grout shall be used to fill the annular space between the pipe and concrete structure. The concrete structure opening shall be 100-150mm larger than the pipe outside diameter. The pipe and connector shall be centred in the concrete structure opening to permit proper consolidation of the non-shrink grout.

The bonding adhesive and grout shall be specified by an approved manhole manufacturer.

Manufacturer	Connector	Pipe Type	Pipe Size (mm)
Press-Seal Corporation	WS-25	*PVC, CP	100-150 O.D.
	WS-30	*PVC, CP	200-3658 O.D.

***(Type PSM) smooth wall pipe. Contact the pipe manufacturer for profile to smooth wall pipe adapters.**

END OF SPECIFICATION 08002

INDEX

	<u>Page</u>
08003-1 WATER SERVICE	2
1.1 Pipe	2
1.1.1 Copper	2
1.1.2 Polyethylene	2
1.2 Valves and Fittings	2
1.2.1 Main Stops	3
1.2.2 Curb Stops	3
1.2.3 Curb Box	3
1.2.4 Inserts	4
1.2.5 Service Saddles	5
1.2.6 Tapping Sleeve and Valve	5
1.2.7 Curb Box Marker	5
08003-2 SEWER SERVICE	5
2.1 Pipe	6
2.1.1 Acrylonitrile Butadiene Styrene (ABS)	6
2.1.2 Asbestos Cement (AC)	6
2.1.3 Polyvinyl Chloride (PVC)	6
2.1.4 Vitrified Clay Tile (VCT)	6
2.2 Fittings	6
2.3 Saddles	7
2.3.1 PVC	7
2.4 Manholes and Catch Basins	7

08003-1 WATER SERVICE

1.1 Pipe

This Section applies to materials used in the construction of service connections to City water mains. Connections larger than 50 mm shall conform to Section 08001.

Pipe used for water service shall be either copper tubing, minimum size 19 mm, or polyethylene tubing, minimum size 25 mm.

1.1.1 **Copper**

Copper tubing shall conform to ASTM B88 for Type K soft copper.

1.1.2 **Polyethylene**

Polyethylene tubing shall conform to ASTM D2737-03 for materials designated PE2306, PE3306, or PE3406. The SDR for the tubing shall be 9.

1.2 Valves and Fittings

Main stops, curb stops and unions shall conform to AWWA C800-84 and shall be made of brass. Connections shall be the compression type suitable for use with either Type K copper or polyethylene tubing. Compression couplings shall be MUELLER 110, EMCO "Successor", FORD "Pack Joint" or approved equal.

1.2.1 Main Stops

Main stops shall have a standard AWWA inlet thread and a compression coupling on the outlet.

1.2.2 Curb Stops

Curb stops shall be either the ball valve type or plug type with "O"-ring seals and shall be non-draining. FORD Type B44, EMCO "Century", MUELLER "Oriseal" or approved equal shall be used.

1.2.3 Curb Boxes

All castings shall be clean and sound.

Curb boxes shall be the sliding type with steel pipe top and bottom sections. The top section shall be 32 mm diameter, schedule 40, type 304 stainless steel and the bottom section shall be 25 mm diameter, schedule 40, type 304 stainless steel. The sliding sections shall have a 3/8" stainless steel set screw. The box shall extend from 2460 to 2900 mm.

The curb box shall have a cast iron cover complete with 15mil (minimum) asphaltic varnish coating. The cover shall have a 25 mm threaded hole fitted with a five sided brass plug through which the curb box key may be inserted when the plug is removed. The connection between the cover and top section shall be threaded.

The boot shall be cast iron complete with 15mil (minimum) epoxy coating throughout. Refer to current City of Saskatoon Standard Drawing as posted on the City's Internet web site for epoxy specifications. It shall be designed to rest on a base level with the bottom of the curb stop without touching the stop and service tubing. All castings shall be clean and sound. All parts shall be coated as specified.

For all new installations, the operating rod shall be a 2134mm (7ft) long stainless steel rod conforming to ASTM 304. For rehabilitation work, the operating rod shall be 2134mm (7 ft), 2438mm (8 ft) or 2743mm (9 ft) long stainless steel rod conforming to ASTM 304. At the top of the rod the sides shall be flattened to fit the curb box key.

The rod shall be 15mm in diameter for water service diameters up to and including 50mm.

The clevis shall be stainless steel conforming to ASTM 304. The clevis shall be machined or cast with a 17mm wide by 30mm deep by 30mm long slot to accept the curb stop. A hole shall be drilled in the clevis such that a 5/32" brass cotter key can be inserted to make a mechanical connection to the curb stop. The connection between the rod and clevis shall be made by forging a 1/2" wide square by 1/2" long end on the rod and inserting it into the mating hole in the clevis. The rod shall be held in the clevis by means of a 3/8" brass rivet.

1.2.4 Inserts

Inserts are required for polyethylene tubing at all compression couplings.

The inserts shall be polyethylene with SDR of 13 and length of 38 mm. One end shall be bevelled and the other end flanged. The flange shall be 9.6 mm wide and 1.6 mm thick.

1.2.5 Service Saddles

Service saddles shall be ROBAR 2606 or approved equal for PVC pipe. ROBAR 2786 isolating saddles or approved equal shall be used for iron and steel pipe.

1.2.6 Tapping Sleeve and Valve

Tapping sleeves shall be MUELLER H-615 or approved equal. Tapping valves shall be MUELLER H-667 or approved equal.

1.2.7 Curb Box Marker

Curb box markers shall be installed on new service connections in new subdivisions. Replacement curb boxes will not require installation of the curb box marker. The curb box marker shall be 25mm polyethelene tubing with a minimum length of 0.6 meters above ground. It shall be securely fastened to the curb box spindle using tape or zip ties, as shown in the Service Connection Standard Drawing posted on the City's Internet web site. The Contractor shall supply the markers and fastening materials unless otherwise directed by the Engineer.

08003-2 SEWER SERVICE

This Section applies to materials used in the construction of service connections to City sanitary and storm sewer mains. The minimum size of connection shall be 100 mm for sanitary and 150 mm for storm. Connections 200 mm or larger shall conform to Section 08002.

2.1 Pipe

2.1.1 Acrylonitrile Butadiene Styrene (ABS)

ABS pipe shall conform to CSA B181.1-73. The minimum SDR shall be 19. The pipe shall be supplied with rubber gaskets.

2.1.2 Asbestos Cement (AC)

This pipe material is not approved for use in new construction or reconstruction.

2.1.3 Polyvinyl Chloride (PVC)

PVC pipe shall conform to ASTM D3034-08. The SDR shall be 28 for all sizes less than 200 mm. The pipe shall be supplied with rubber gaskets.

2.1.4 Vitrified Clay Tile (VCT)

This pipe material is not approved for use in new construction or reconstruction.

2.2 Fittings

All bends shall be long radius PVC.

For connection of PVC, pipe couplings shall be PVC supplied with rubber gaskets. PVC to ABS connections shall be made with glued ABS coupling. "Fernco" couplings shall be used for connection of other sewer pipe materials.

2.3 Saddles

Saddles shall be supplied with seat and joint gaskets. When installed the saddle shall extend to the inner surface of the pipe wall but shall not protrude into the pipe.

2.3.1 PVC

Saddles shall conform to ASTM D3034-08 and the SDR shall be 28. The saddle shall be attached with two stainless steel straps tightened with a stainless steel screw assembly. Quick release mechanisms shall not be permitted.

2.4 Manholes and Catch Basins

Where required on service connections, manholes and catch basins shall conform to Section 08002 of these Specifications.

END OF SPECIFICATION 08003

INDEX

08010-1	SCOPE	3
	1.1 Existing Infrastructure – Requirements and Fees	3
08010-2	EXISTING UTILITIES AND STRUCTURES	3
08010-3	EXCAVATION	5
	3.1 General	5
	3.2 Trenching	5
	3.3 Trench Width	6
	3.4 Rock Excavation	6
	3.5 Unstable Subgrade	7
08010-4	TEMPORARY PROTECTIVE STRUCTURES	8
08010-5	PREPARATION OF TRENCH BOTTOM	9
08010-6	PIPE BEDDING	9
	6.1 General	9
	6.2 Class A Bedding	9
	6.3 Class B Bedding	10
08010-7	PIPE LAYING AND JOINTING	10
	7.1 General	10
	7.2 Alignment and Grade	11
	7.3 Polyvinyl Chloride (PVC) Pipe	11
	7.4 Concrete Pipe	12
	7.5 Polyethylene Pipe	13

08010-8	MANHOLES	13
	8.1 General	13
	8.2 Cast-In-Place Manhole Base	14
	8.3 Precast Manhole Base	15
	8.4 Foundation	15
	8.5 Pipe Supports	16
	8.6 Build Up	17
08010-9	BACKFILL	19
	9.1 Initial Backfill in Pipe Zone	19
	9.2 Backfill Above Pipe Zone	19
	9.3 Street Surfaces	21
08010-10	TESTING	23
	10.1 General	23
	10.2 Infiltration Testing	23
	10.3 Exfiltration Testing	24
	10.4 Allowable Leakage	24
08010-11	CLEAN UP	25

08010-1 **SCOPE**

The General Conditions, Specific Conditions and Material Specifications form an integral part of these Specifications and shall be read in conjunction herewith.

This Section shall include Sewer Connections Construction not regulated by Section 08025 wherein sewer service connections are greater than 150mm in diameter.

The Contractor shall supply all material, labour, equipment, plant and tools necessary to construct the gravity storm and sanitary sewers within and/or under the jurisdiction of the City of Saskatoon as required under its Contracts.

1.1 **Existing Infrastructure - Requirements and Fees**

Certain fees for inspection, tapping mains, pavement and concrete repair, detouring services and public liability insurance shall be charged by the City to the Contractor on completion of the work.

The contractor shall obtain the conditions of work and fee rates by contacting the Water & Sewer Connections Desk at 975-2461 before estimating or commencing any particular project. The Water & Sewer Connections Desk will outline the requirements and fees so that the Contractor shall know in advance and the safety of the water and sewer system remains intact.

Before any work within the City Right-of-Way is performed, the Contractor shall have an approved permit "Use of Right-of-Way Permit". This permit shall be obtained by contacting the Transportation Right of Way Group at 975-2460. There may be restrictions on times and dates that portions of Right-of-Way may be available and this will be outlined in the Use of Right-of-Way permit.

08010-2 **EXISTING UTILITIES AND STRUCTURES**

The location and elevation of existing underground utilities is compiled from records but is not guaranteed. Notwithstanding any other provision, the Contractor shall be responsible for determining at his expense the actual location and elevation of all

sewer, water and gas lines, power, telephone or telecommunications conduits, or other such structures or utilities whether or not shown on the plans. The Contractor shall be responsible for notifying the respective utility at least 48 hours in advance of his intention to carry out operations in the vicinity of the said utility and if required shall pay for any services supplied for locating these utilities.

When in the course of the work, existing utilities must, for reasonable cause, be temporarily disconnected, the Contractor shall be wholly responsible for notifying all persons affected, at least 48 hours in advance of the outage. The Contractor shall contact the utility owner who may disconnect the utility himself or supervise the Contractor during disconnection. In no case shall the Contractor operate any utility without the approval of the owner.

When a utility is exposed during construction, the Contractor shall immediately inform the owner of the utility, who may inspect the utility prior to backfilling.

Any accidental damage such as severing a cable, scraping the coating on an underground pipe or rupturing the pipe must be reported immediately through the appropriate emergency number.

Where existing utilities or other street improvements are found to be within the lines of the work the Engineer shall be notified. The Contractor shall then proceed as directed by the Engineer or the respective utility corporation.

All costs incurred for the disruption of service and for the repair of surface and/or underground utilities damaged by the Contractor's operation shall be the Contractor's responsibility.

Existing sidewalks and curbs, mains, service connections, catch basin leads and structures removed or damaged by the Contractor shall be repaired or replaced by the Contractor at his own expense.

Maintenance of existing utilities and structures which were disturbed or repaired by the Contractor, shall be the responsibility of the Contractor for the duration of the maintenance period.

08010-3 **EXCAVATION**

3.1 **General**

Excavation shall be taken to mean the removal from the trench of all material of whatever kind encountered, for the construction therein of all sewers and manholes. All excavations shall be made to the lines and grades as shown on the plans or as established in the field by the Engineer.

3.2 **Trenching**

The trench shall be excavated only so far in advance of pipe laying as permitted by the Engineer. The walls of the trench shall be sloped or shored up to prevent caving, in accordance with the requirements of the Occupational Health and Safety Regulations. All water encountered in the trench shall be pumped out before saturation of the pipe bedding material occurs. The discharge from the trench dewatering pumps shall be conducted away from the site of the work and into natural drainage channels, drains or storm sewers.

The trench shall be excavated so as to provide a uniform and continuous support for the pipe and fittings on solid undisturbed ground. Any over-excavation by the Contractor below the required grade shall be backfilled at his expense with compacted bedding material.

The earth taken from the trench shall be neatly deposited at the sides, in such manner as to obstruct the street or lane as little as possible. Where it is impracticable in the opinion of the Engineer to place the earth at the side of the trench, it shall be removed and deposited as designated by the Engineer. The Contractor shall repair all walls, crib work, culverts, drains, ditches and embankments which it may be necessary to remove or to pass through in laying the pipes.

The Contractor shall provide for all surface water courses and drainage

systems interrupted during the progress of the work, and replace them in as good condition as originally encountered.

The Contractor shall remove all pavement from the surface of any area to be excavated prior to starting the excavation.

The edges of the areas to be removed shall be precut in straight lines for the full depth of the pavement. The Contractor shall then remove the pavement and transport it to the storage site designated by the Engineer.

3.3 **Trench Width**

The minimum trench width below the crown of the pipe shall be whichever is greater between the outside diameter of the pipe plus 450 mm, or 1.25 multiplied by the outside diameter plus 300mm.

The maximum trench width below the crown of the pipe shall be as follows:

<u>Nominal Pipe Diameter</u>	<u>Maximum Trench Width Below Crown of Pipe</u>
Less than 450 mm	1050 mm
450 mm to 900 mm	Pipe O.D. + 600 mm
1050 mm to 1350 mm	Pipe O.D. + 750 mm
1500 mm and larger	Pipe O.D. + 900 mm

3.4 **Rock Excavation**

Rock excavation is defined as boulders, pieces of concrete, or masonry equal to or exceeding 1 cm in volume.

The Contractor shall use methods other than explosives such as drilling and wedging to split very large boulders prior to removing them from the trench.

Where the excavation is made in rock or in another material which cannot provide an even, uniform surface, all of the projections of such material shall be removed to provide a clear space around the pipe and fittings. The minimum dimension for this clear space shall be 150 mm for pipe having an outside diameter less than or equal to 600 mm and 225 mm for pipe having an outside diameter greater than 600 mm.

The subgrade shall then be made by backfilling with bedding material compacted in 150 mm layers to provide a uniform and continuous support for the pipe.

3.5 Unstable Subgrade

Where, in the opinion of the Engineer, the bottom of the trench at the subgrade below the pipe bedding is found to be unstable or to contain organic or other deleterious material which would not provide a sound foundation for the pipe, the Contractor shall remove such material to the width and depth ordered by the Engineer and shall replace it with crushed rock, compacted in 150 mm layers. Prior to placing the crushed rock, geotextile fabric shall be installed flat on the trench bottom. The fabric shall extend up the trench walls to accommodate a minimum seam overlap of 900mm or equivalent to the trench width. The top surface of the crushed rock shall be covered with geotextile fabric before any pipe bedding aggregate is placed.

Where, in the opinion of the Engineer, additional support is required for the pipe, the Contractor shall supply all materials and shall construct such additional support in accordance with the plans and specifications which will be provided to him by the Engineer.

08010-4 TEMPORARY PROTECTIVE STRUCTURES

The Contractor shall protect excavations, trenches, shafts and tunnels from cave-ins, collapse, sliding or rolling materials by cutting back the walls and/or supplying and installing Temporary Protective Structures as required by the Occupational Health and Safety Regulations and as may be necessary to protect adjacent property and the work.

The Contractor shall install Temporary Protective Structures to prevent movement in the sides of the excavations. All material required, as well as the labour required for the installation, shall be furnished by the Contractor as part of this Contract.

The Contractor shall ensure that, where required by the Occupational Health and Safety Regulations, a professional engineer certifies that the Temporary Protective Structure, if constructed as drawn, and installed and used as instructed, will provide adequate protection to any worker constructing, installing or using the Temporary Protective Structure. The Contractor shall, prior to commencing construction, provide the Engineer with a copy of this certification for each Temporary Protective Structure which will be used on the project.

The right of the Engineer to order sheeting, bracing, underpinning or any other form of brace or support shall not be construed as creating any obligation on his part to issue such orders and his failure to exercise his right to do so shall not relieve the Contractor from his responsibility for damages to persons or property arising from or upon the work of construction occasioned by negligence or otherwise growing out of a failure on the part of the Contractor to leave in place in the trench sufficient sheeting and bracing to prevent any caving or moving of the ground adjacent to the sides of the trench, or for failure to construct and maintain proper support of all kinds whatsoever in the first instance.

Sheeting and bracing ordered left in place must be cut off and removed for a depth of 900 mm below the established street grade or the existing surface of the street, whichever is lower.

08010-5 PREPARATION OF TRENCH BOTTOM

The Contractor shall remove any water which has accumulated in the excavation by pumping before any bedding is placed. The previously installed pipe shall not be used to drain the trench. Loose material shall be removed from the surface and the subgrade shall be thoroughly compacted.

08010-6 PIPE BEDDING

6.1 General

The type of bedding to be used with each size and class of pipe shall be as shown on the Tender Form and in the Specific Conditions. The following various classes of bedding are detailed on the current City of Saskatoon Standard Drawing as posted on the City's Internet web site.

6.2 Class A Bedding

The pipe shall be bedded on a continuous cradle constructed of **30 MPa** concrete shaped to fit the lowest part of the pipe exterior. The concrete shall be made using Type HS/HSb sulphate resistant cement. The required minimum concrete cradle thickness under the pipe shall be as outlined on the current City of Saskatoon Standard Drawing as posted on the City's Internet web site for various pipe diameters and shall extend up the sides of the pipe to a height equal to 1/4 of the outside diameter of the pipe. The concrete cradle shall extend over the whole width of the trench and shall be constructed monolithically without horizontal construction joints.

6.3 **Class B Bedding**

The pipe shall be bedded on a layer of approved pipe bedding aggregate as defined in Section 03001-3.2.7 shaped to fit the lowest part of the pipe exterior. The required minimum depth of the granular material under the pipe shall be as outlined on the current City of Saskatoon Standard Drawing as posted on the City's Internet web site for various pipe diameters and shall extend up the sides of the pipe to a height equal to 1/2 of the outside diameter of the pipe. Care shall be taken to completely fill all voids under the pipe. The bedding material shall be placed in 150 mm layers and shall be compacted to 98% of its Standard Proctor Density using mechanical compaction equipment.

08010-7 **PIPE LAYING AND JOINTING**

7.1 **General**

The pipe shall be protected against impact shocks and free fall during handling and shall be kept clean at all times.

Each pipe shall be carefully inspected prior to being lowered into the trench and those not meeting specifications shall be rejected and shall be removed from the site of the work. Pipe laying shall commence at the lowest point of the sewer. The individual pipe lengths shall be laid in an uphill direction with spigots pointing downgrade and bell ends in the upgrade direction. The Contractor shall excavate the trench deeper at the location of each joint to facilitate making the joint and so that the pipe will not rest on the bell when it is installed. Each pipe shall be installed so that the bedding material will support it evenly throughout its entire length. The interior of the pipe and the bell must be cleared of all foreign material before the joint is made. The sections of pipe shall be fitted together to form a smooth and uniform invert.

The Contractor shall supply a watertight cap or plug which shall be installed on the end of the pipe while excavation is in progress and when the Contractor leaves the site of the work.

7.2 Alignment and Grade

Gravity sewers shall be installed according to the lines and grades shown on the plans or as staked in the field by the Engineer. The Contractor shall transfer line and grade to the sewer by means of an approved batter board and boning rod system, laser beam system, or other system approved by the Engineer.

Variance from grade shall not exceed 0.03 mm per mm of pipe diameter or 10 mm whichever is greater. Provided in all cases that such variation does not result in a reverse sloping invert.

Variance from alignment shall not exceed 2 times the variance allowed for grade.

7.3 Polyvinyl Chloride (PVC) Pipe

Polyvinyl Chloride (PVC) shall be installed as per ASTM D2321 unless specified otherwise.

PVC pipe shall be jointed as follows. The bell, spigot and rubber gasket shall be cleaned with a clean cloth, removing all traces of dirt, grit or plastic cuttings. A thin film (**equivalent to a brushed coating**) of a lubricant manufactured for this purpose shall be applied uniformly to the **bell and spigot areas as indicated by the pipe manufacturer's published recommendations**. With the assistance of a lever pressing on a wooden

cushion block which has been placed against the bell end of the pipe, a uniform force shall be applied until the pipe has been inserted to the reference mark.

The Contractor shall use a fine tooth hand saw or a power cut-off saw to cut the pipe where this is required. The ends shall be cut square and shall be bevelled at 15° through 1/2 of the wall thickness using a grinding disc or a flat file. The jointing reference mark shall be re-established using a factory marked pipe of the same size as a guide.

7.4 **Concrete Pipe**

The sealing surfaces of the pipe shall be carefully checked to ensure that they are smooth, concentric and free from any imperfections which might impair the sealing efficiency of the rubber gasket. Both the tongue and the groove shall be cleaned and the gasket shall be installed on the tongue in accordance with the manufacturer's instructions.

All sliding surfaces shall be well lubricated and the pipes immediately coupled. The interior vertical mating surfaces of the joint are to be uniformly tight with a maximum separation not greater than that recommended by the pipe manufacturer. The proper equipment shall be used to pull the pipes together to ensure that the joints are properly engaged.

Where the alignment of the pipe produces a radius curve which would cause the joints to “open up” beyond the manufacturer’s recommended allowable limit, the Contractor shall install radius pipe to accommodate the curve in the alignment.

7.5 Polyethylene Pipe

Polyethylene pipe which is being used for sewer construction shall be joined by butt fusing the ends of the pipes. The Contractor shall use the specially designed joining machines complete with alignment jigs, trimmers and heating plate which can be obtained from the pipe manufacturer. The Contractor shall provide personnel who have been trained to perform this procedure and shall ensure that the joints are made in accordance with the manufacturer's specifications.

08010-8 MANHOLES

8.1 General

The Contractor shall construct manholes on gravity sewers at the locations and grades shown on the plans or as staked in the field by the Engineer.

The Contractor shall supply all materials and construct manholes on the sewer mains in accordance with the City of Saskatoon Standard Drawings as posted on the City's Internet web site.

1050mm manholes are not permitted for new construction or reconstruction.

Concrete shall conform to Section 08000-9 "Concrete".

Unshrinkable fill shall conform to Section 08000-8 "Unshrinkable Fill".

Grout shall conform to Section 08002-5.4 "Grouted-In Connector".

All sanitary sewer manhole bases shall have a half section of pipe cast in the base with 35 MPa Type HS sulphate resistant concrete benched into it. The

pipe channeling shall be seamless for straight through and dead end manhole bases.

All sanitary and storm pipe to manhole connections shall incorporate a seal, resulting in a watertight pipe to manhole connection.

Pipe to manhole **and concrete structure connections shall conform to Section 08002-5 “Pipe to Manhole and Concrete Structure Connectors”**.

The Contractor shall install stub pipes for future connections at the alignment and grades shown on the plans or as established in the field by the Engineer. The stubs shall be sealed with suitable plugs which will not admit earth or water into the manhole.

The Contractor shall construct a standard City of Saskatoon exterior drop structure at the manhole on any sanitary sewer line where the incoming sewer crown is 750 mm or more above the lowest crown of outlet pipe in the manhole.

8.2 Cast-In-Place Manhole Base

Standard 1200mm manholes for sewers 675mm to 900mm in diameter shall have the base constructed using substantial forms. The practice of pouring an unconfined mass of concrete for the base is not acceptable. The Contractor shall not cast the manhole barrel into the manhole base. The opening shall be formed as shown on the standard drawings and the manhole barrel shall be installed into the recess after the forms have been removed.

All manholes constructed on 200mm to 600mm diameter sewers shall have a minimum 150mm thick, measured from the invert, 35 MPa Type HS sulphate resistant concrete base, and a single mat of 10M reinforcement at 200mm on centre each way, on manholes over 4.5 metres deep and manholes

with an external drop structure. Substantial forms shall confine the concrete.

Saw cut openings (dog houses), will be permitted at the manhole base when tying into the required base half pipe.

8.3 Precast Manhole Base

All precast manhole bases shall be supplied with extra wide bases. For standard 1200mm manholes with a wall thickness of 127mm, the extra wide base shall have an outside diameter of 1829mm.

8.4 Foundation

8.4.1 Stable Subgrade

The Contractor shall excavate in-situ material to the underside of the manhole base elevation. Surface is to be stable, undisturbed material.

If over excavation occurs then the minimum depth shall be equivalent to the thickness of the manhole base slab. Over excavation depth shall not exceed 600mm.

The Contractor shall backfill the over excavation with Pipe Bedding Aggregate in 150mm lifts compacted to 98% Standard Proctor Density.

An alternative to backfilling the over excavation with pipe bedding aggregate is to use crushed rock, geotextile fabric and pipe bedding aggregate as contained in Specification 8.4.2 “Unstable Subgrade”.

8.4.2 Unstable Subgrade

The Contractor shall over excavate to a minimum depth of 200mm below the underside of the manhole base elevation.

The Contractor shall backfill the over excavation with crushed rock, compacted in 150mm lifts. Prior to placing the crushed rock, geotextile fabric shall be installed flat on the trench bottom. The fabric shall extend up the trench walls to accommodate a minimum seam overlap of 900mm or equivalent to the trench width. The top surface of the crushed rock shall be covered with geotextile fabric before any pipe bedding aggregate is placed.

The depth of pipe bedding aggregate below the manhole base shall be 100mm. The pipe bedding aggregate shall be compacted to 98% Standard Proctor Density.

8.5 Pipe Supports

8.5.1 Concrete

Concrete pipe supports shall conform to City of Saskatoon Standard Drawing 102-0011-011.

Where **specified or approved by the Project Engineer**, the Contractor shall use Type HS sulphate resistant concrete to backfill the space under a new **concrete** pipe to undisturbed soil where it connects to a manhole, including **PVC** external drop structures.

Concrete fill shall only be placed against undisturbed ground or against substantial forms, which the Contractor shall construct, to contain the concrete while it is being placed. These forms shall be removed after the concrete has set and before the Contractor may

backfill the remainder of the excavation. The Contractor may not use non-compacted earth backfill as a form to contain the concrete.

8.5.2 Non Shrink / Unshrinkable Fill

The Contractor shall use unshrinkable fill to backfill the space under a new pipe; including service connection pipe, where it connects to a manhole, the space under a new pipe crossing over the excavation adjacent to a manhole, the space between mains of a different elevation which cross in a trench and any portion of an excavation which cannot be mechanically compacted.

Unshrinkable fill shall only be placed against undisturbed ground or against substantial forms, which the Contractor shall construct, to contain the unshrinkable fill while it is being placed. These forms shall be removed after the unshrinkable fill has set and before the Contractor may backfill the remainder of the excavation. The Contractor may not use earth backfill as a form to contain the unshrinkable fill.

8.6 Build Up

Manhole bases shall be channelized and benched prior to build up.

If the Contractor chooses to channelize and bench manholes after build up, they shall supply a camera for inspection. If camera inspection is done, a Panoramio SI 3D Optical Manhole Scanner will be used with video footage submitted to the Engineer.

The manhole riser section barrels shall use Tylox Super Seal Gaskets on all joints.

Cement mortar shall not be used on the rubber gasket joints of manholes constructed with 1200 mm diameter precast sections.

The manhole base shall be level and the barrels shall be plumb.

The exposed flat concrete shelf from a precast transition slab top to the manhole barrel riser shall be benched with non-shrink, Type HS sulphate resistant grout, to prevent debris from collecting.

The manhole rungs shall be installed such that they are aligned, uniformly spaced and do not interfere with the incoming piping.

Manhole safety platforms shall conform to City of Saskatoon Standard Drawing 102-0011-001 available on the City's web site.

Manholes shall be constructed to final grade by installing one or more grade rings between the tapered precast manhole section and the cast iron frame. The minimum and maximum depth of grade rings permitted shall be 50 mm and 300 mm respectively or as directed by the Engineer.

The joint between the grade rings and the top of the tapered precast manhole section, the joint between the grade rings and the cast iron frame and the joints between individual grade rings shall be bonded using a waterproof elastomeric polyurethane sealant. The sealant shall be applied in a continuous bead around the above noted components approximately 25 mm from the inner and outer edges. The sealant must be sufficiently placed between all grade rings (rubber and concrete) and frames so that when the components are placed together the total areas touching are covered and sealant is squeezed out around the entire inner and outer circumference. A finished bead of sealant shall be placed on the inside and finished smooth. The supply and application of the sealant shall be the responsibility of the Contractor.

08010-9 **BACKFILL**

9.1 Initial Backfill in Pipe Zone

The Contractor shall hand place select excavated material which is free from lumps and stones in 150 mm lifts above the granular bedding on both sides of the pipe and to a point 300 mm above the crown of the pipe over the full width of the trench. The Contractor shall compact each lift to 98% of its Standard Proctor Density.

Placement of haunching materials shall be carried out by methods that will not disturb or damage the pipe.

The haunching material shall be worked in and tamped in the area between the bedding and the underside of the pipe before placement and compaction of the remainder of the material in the embedment zone.

Compaction equipment and methods used in the haunch zone shall be compatible with the materials used, the location in the trench, and the in-place densities required.

9.2 Backfill Above Pipe Zone

9.2.1 Class I Backfill

Approved granular material with a maximum aggregate size of 75 mm, shall be placed in 300 mm lifts over the whole width of the trench. Each lift shall be compacted to 98% of Standard Proctor Density, using mechanical compaction equipment.

9.2.2 Class II Backfill

Approved excavated material shall be placed in 300 mm lifts over the whole width of the trench. Each lift shall be compacted to 98% of Standard Proctor Density, using mechanical compaction equipment.

This backfill may contain coarse materials but shall be free from brush, frozen or other objectionable material that would prevent proper consolidation or that might cause subsequent settlement.

Rocks or stones not exceeding 10 kg in weight may be placed in this portion of the backfill but must be placed by hand.

The Contractor shall be responsible for controlling the moisture content of the backfill material so that the moisture content will be close to the optimum percentage for compaction. The Contractor shall add water to the material if the moisture content is too low or if the moisture content is too high, the Contractor shall move the material to an approved stockpile area, dry the material and then move the material back to the site of the work.

9.2.3 Class III Backfill

Class III backfill shall consist of approved excavated material free from brush and rocks or stones over 10 kilograms and other objectionable material. Backfill material shall be pushed down a ramp or slope of existing backfill and not directly onto the newly bedded pipe.

The backfill material shall be placed in 750 mm lifts over the whole width of the trench. Each lift shall be compacted to a density which is equal to the density of the adjacent soil.

9.2.4 Backfill Around Manholes

The Contractor shall carefully select, place and compact backfill material in 150 mm lifts for a distance of 600 mm around each manhole. The contractor shall compact each lift to a minimum of 98% of the Standard Proctor Density.

9.3 Street Surfaces

9.3.1 General

The Contractor shall use a rubber tired motor grader to spread surface granular materials during compaction and to level earth streets after the backfilling has been completed.

The Contractor shall be responsible for filling trench settlements and repairing street surfaces which settle along the lines of his work during the maintenance period.

9.3.2 Paved Streets

Where excavation has been carried out on a paved street or on a street which has been based and is ready for pavement, the Contractor shall backfill the excavation up to 300 mm below the level of the original street surface. The Contractor shall then place 300 mm of base gravel to the gradation as specified in Section

08000-7.2 flush with the original street surface and shall compact it to 100% of Standard Proctor Density. Prices tendered for laying pipe, shall include the supply and placing of this gravel unless specified otherwise.

9.3.3 Gravel Streets

Where the excavation has been carried out on a gravel street, the Contractor shall backfill the excavation up to 100 mm below the level of the original street surface.

The Contractor shall then place 100 mm of base gravel to the gradation as specified in Section 08000-7.2 flush with the original street surface and shall compact it to 100% of Standard Proctor Density. Prices tendered for laying pipe, shall include the supply and placing of this gravel unless specified otherwise.

9.3.4 Earth Streets

Where excavation has been carried out on a graded earth street, the Contractor shall backfill the excavation up to the level of the original street surface.

Where the surface of the street has not previously been cut to grade, the Contractor shall spread and level any surplus excavated material over the top of the excavation.

9.3.5 **Surplus Excavated Material**

Where excavation has been carried out on a paved street, gravelled street or graded earth street all of the excavated material may not be required for backfilling. The Contractor shall load and haul this surplus excavated material to the nearest earth dumping site or to the location as specified in the Specific Conditions. The costs of disposing of this material shall be included in the Contractor's unit prices for constructing sewers.

08010-10 **TESTING**

10.1 **General**

The Engineer will designate those sections on which testing is to be conducted and whether the tests should be for infiltration or exfiltration.

Infiltration and exfiltration tests will not be required for storm sewers unless specified on the Tender Form or in the Specific Conditions.

The Contractor shall supply all of the labour and equipment necessary to perform these tests. The costs of testing shall be included in the Contractor's unit prices for constructing sewers.

10.2 **Infiltration Testing**

The pipe at the highest point on the infiltration test section shall be sealed with a water tight plug. The amount of water infiltrating into the test section shall be measured at the low end of the test section by means of an approved weir or meter.

The duration of the test shall not be less than 4 hours and the length of the test section will be as determined by the Engineer.

10.3 Exfiltration Testing

The pipe section to be tested shall be sealed at its lower extremity with a water tight plug and filled with water so that a hydrostatic head of 600 mm is formed above the crown of the pipe at the upper end of the test section.

In no case shall the pressure head on any part of the test section be in excess of 3 m of water.

The 600 mm head of water shall be maintained by the addition of water for 1 hour prior to commencing the test to allow for normal absorption.

The length of the test period shall not be less than 6 hours. The Contractor shall continue to add water as required throughout the test period in order to maintain the 600 mm head of water on the test section. The water added during this time shall be considered to be equal to that lost due to exfiltration.

10.4 Allowable Leakage

The maximum allowable leakage of gravity sewers and appurtenances subjected to exfiltration or infiltration testing shall not exceed 1.85 litres per 24 hours per millimetre of diameter per 100 m of sewer pipe.

The Contractor shall, where the actual leakage on a section of sewer exceeded the allowable, repair and/or replace the section and then retest the section until the actual leakage no longer exceeds the allowable.

08010-11 **CLEAN UP**

The Contractor shall clean up the site as the work progresses.

The Contractor shall remove all of his equipment, plant, tools and surplus material from the site of the finished work and shall repair and restore all drainage facilities which have been blocked or damaged as a result of the Contractor's operations.

END OF SPECIFICATION 08010

INDEX

	<u>Page</u>
08015-1 SCOPE	3
08015-2 DRAWINGS	3
08015-3 MATERIALS	3
08015-4 TUNNEL EXCAVATION	4
4.1 General	4
4.2 Excavation and Material Removal	4
4.3 Support of Tunnel	5
4.4 Tunnel Headings	5
4.5 Rock Excavation	6
4.6 Explosives	6
4.7 Water Removal	6
4.8 Drainage	7
08015-5 SHAFTS, MANHOLES AND ALIGNMENT HOLES	7
5.1 Shafts	7
5.2 Manholes	8
5.3 Alignment Holes	9
5.4 Backfilling Shafts and Around Manholes	9

08015-6	TUNNEL LINING	10
6.1	General	10
6.2	Alignment and Grade	10
6.3	Monolithic Concrete Sewer	11
6.4	Galvanized Steel Tunnel Liner	11
08015-7	TUNNEL SAFETY AND ACCESSORIES	12
7.1	General	12
7.2	Ventilation	13
7.3	Electric Wiring and Lighting	14
7.4	Hoisting	14
08015-8	TUNNELLING UNDER COMPRESSED AIR	15
08015-9	CLEANUP	17

08015-1 **SCOPE**

The Contractor shall furnish all material, labour, equipment, plant and tools necessary to perform the work required under the Contract. The Contractor shall remove any road surface as stipulated at shaft locations, excavate for shafts and tunnel to the required dimensions, sheet, brace and support the tunnel section during construction, handle all drainage of ground water, provide barricades, guards and warning lights, backfill and consolidate shafts, repair or replace all structures removed or damaged during the course of the fulfilment of the Contract, remove surplus excavated material and cleanup the site of the work.

08015-2 **DRAWINGS**

The drawings and the specifications are intended to supplement each other. The Contractor shall examine both carefully. Any discrepancies shall be brought to the attention of the Engineer as outlined in the General Conditions.

08015-3 **MATERIALS**

The Contractor shall supply all materials required for the fulfilment of the Contract except those specifically listed elsewhere in the specification as being supplied by the Owner. The Contractor is solely responsible for delivery to site from point of origin, handling and safe storage of all materials until such time as they are incorporated in the work and it is accepted by the Engineer. The Contractor is further responsible for any surplus material supplied by the Owner until he has returned such surplus to the Owner's storage yard.

08015-4 TUNNEL EXCAVATION

4.1 General

The method of tunnelling may vary in accordance with requirements of the particular materials being excavated.

The method of tunnelling shall be subject to prior approval by the Engineer but full responsibility for safety and quality of the work shall be borne by the Contractor. The use of primary tunnel lining will not decrease the specified requirements for tunnel pipe.

4.2 Tunnel Excavation and Material Removal

Excavation shall mean the removal of all material of whatever kind from the shafts and tunnel for the laying or construction therein of all liner and for the construction of manholes. The tunnel shall be excavated to lines and grades shown on the plans and established by the Engineer. Excavation for the tunnel shall be to the sizes and shapes specified or shown and such as will allow placing of tunnel liner or the full concrete section specified. Excavated material shall be promptly removed from the tunnel and tunnel exit as soon as it is taken out of the heading and disposed of at a site designated by the Engineer. Where the haul to the dump site is greater than 1.6 kilometres from the exit, the Contractor shall be paid for overhaul at the rate set out in the Specific Conditions section. Excavation shall be carried out in accordance with the best rules and methods of tunnel construction with safety to life and property and with a minimum of inconvenience to the public.

4.3 Support of Tunnel

The right of the Engineer to order sheeting, bracing, underpinning or any other form of brace or support shall not be construed as creating any obligation on his part to issue such orders and his failure to exercise his right, shall not relieve the Contractor from his responsibility for damages to persons, or property arising from or upon the work of construction occasioned by negligence or otherwise growing out of a failure on the part of the Contractor to leave in place in the tunnel sufficient sheeting and bracing to prevent any caving or moving of the ground adjacent to the sides of the tunnel, or for failure to construct and maintain proper support of all kinds whatsoever in the first instance.

4.4 Tunnel Headings

Tunnel headings shall not be farther than 7.6 metres from the concrete or tunnel liner section except with the written permission of the Engineer. All mining operations shall cease until this provision is fulfilled and the general procedure of the work indicates that this provision will be maintained. Whenever two headings or a heading and a shaft are to meet underground the final 6.0 metres shall be driven without the use of explosives approximately 1.0 metres smaller in diameter except in the case of soft ground or forepoled tunnels so that adjustment to line or grade may be made. The entire cost of enlarging this connecting tunnel to the specified size and dimensions shall be included in the price bid for that section by the Contractor and no additional payment will be made.

4.5 Rock Excavation

Excavation in rock shall be carried out in such a way as to not damage structures above or adjacent to the work. Boulders one quarter of a cubic metre or over within the line of the tunnel will be classified as rock.

4.6 Explosives

The use of explosives shall be permitted only when the Contractor has demonstrated his ability to undertake subsurface blasting with absolutely no damage resulting to structures in the vicinity of the blasts. Only a minimum of nuisance from blasting operations can be tolerated.

The Contractor shall comply with the "Explosives Act" 1927 Revised Statutes of Canada, Chapter 63 and Amendment, and with all regulations made thereafter, plus any local regulations.

4.7 Water Removal

All water shall be removed by the Contractor from the tunnel by pumping or other means and the tunnel must be kept free from water until the structures to be built therein are completed. No concrete shall be placed in water nor shall water be allowed to rise over, drip on or flow over freshly placed concrete until the concrete or mortar has hardened sufficiently to prevent damage. The disposal of water after removal from the tunnel shall be to the satisfaction of the Engineer.

4.8 Drainage

Such drains or outlets as are built as part of this Contract may be used for removal of water under conditions approved by the Engineer but such drains or outlets shall be left in a clean and satisfactory condition at the completion of this Contract.

08015-5 SHAFTS, MANHOLES AND ALIGNMENT HOLES

5.1 Shafts

Construction shafts shall be located to coincide with manholes unless otherwise shown on plans. Additional shafts desired by the Contractor shall be located on streets or easements. Plans of location and proposed type of construction of all shafts shall be submitted by the Contractor for approval of the Engineer before commencement of excavation. Such approval shall not relieve the Contractor from any responsibility or liability under the Contract or from any expenses incurred or delay by reason of encountering any underground objects.

Shafts shall be sized to provide ample space for hoisting operations and for safety ladders, which ladders must be installed in each shaft. Shafts may be of concrete, corrugated steel or timber construction. It is the responsibility of the Contractor to design and construct the shafts to be suitable and safe for the depth and soil conditions.

At all tunnel shafts concrete tunnel liner shall be increased to a minimum thickness of 500 mm at the spring lines. That external portion of the concrete

shell below and above the spring lines shall be carried vertically downward to the floor of the shaft to form a flat monolithic concrete base. The concrete shall also be carried vertically upward from the spring line to a height which produces a minimum concrete thickness of 500 mm at the crown of the sewer. In no case shall the shaft rest on any portion of the sewer pipe.

In the event that steel tunnel liner is being used at a shaft location, such tunnel liner shall be strutted in accordance with the tunnel liner manufacturer's recommendations. The tunnel liner at the shaft locations shall be boxed in with concrete as outlined in the preceding paragraph.

5.2 Manholes

Manholes shall be constructed at the points designated on the plans. The manholes will be constructed according to current City of Saskatoon Standard Drawings as posted on the City's Internet web site.

Where manholes are required at shaft locations, the Contractor shall cap the shaft with a 300 mm thick reinforced concrete slab containing 19 mm diameter reinforcing steel bars at 100 mm on center each way. The slab shall be capped at an elevation below the ground surface as directed by the Engineer. Standard 1050 mm diameter manhole pipe shall be constructed from the top of the slab to the surface elevation where the manhole will be equipped with a standard manhole frame and cover. All steps and manhole pipe shall be so arranged so as to allow easy access to the sewer pipe. Only shafts constructed of precast or poured-in-place concrete shall be capped in this manner.

5.3 Alignment Holes

The Contractor shall drill alignment holes where required to ensure proper alignment of the pipe. Alignment holes shall be located within 15.25 metres of each end of each bend with at least one hole in each straight section between bends. The exact location of alignment holes shall be arranged at the time of construction or where required to ensure proper alignment of the pipe. The alignment holes may be used for ventilation purposes and for concreting operations at the option of the Contractor. Alignment holes shall consist of 250 mm diameter steel casing driven in a drilled hole over the centre of the tunnel. The casing shall be vertical so a plumb bob will hang free inside it. The top of the hole shall be covered with a substantial steel plate securely fastened but removable. The lower end of the casing shall pass through the tunnel wall and shall be watertight. After the tunnel section is completed, the casing shall be removed, the opening in the tunnel wall filled with concrete and the hole filled with sand.

5.4 Backfilling Shafts and Around Manholes

When the project is completed, the Contractor shall backfill the construction shafts and around manholes. The top of the shaft shall be removed to a point not less than 1.5 metres below finished grade. Backfill shall be imported granular material where the structure is located on a travelled roadway or surplus excavated material if not located on a travelled roadway. Where surplus excavated material is to be used, the Contractor shall first place imported granular material to a point at least 300 mm above the top of the sewer.

Every attempt shall be made to consolidate the shaft backfilling to the end that no more than 150 mm of settlement shall take place in one year.

The ground surface shall be evenly and smoothly graded to its original condition. The heaping of earth over the shaft excavation will not be permitted. A minimum of 300 mm of gravel shall be placed over all shaft excavations located on any City roadways.

08015-6 TUNNEL LINING

6.1 General

The tunnel lining shall completely fill the bore of the tunnel. Where overbreak has occurred, the void shall be completely filled with concrete or with sand-cement grout as determined by the Engineer, and the expense shall be completely borne by the Contractor. The tunnel lining shall be monolithic concrete unless otherwise specified.

6.2 Alignment and Grade

Survey line and grade control markers will be provided by the Engineer in a manner consistent with accepted practices. The Contractor shall establish his own reference and control from this information using a laser beam system or other system approved by the Engineer. The Contractor shall constantly check line and grade and in the event that they do not meet that specified, the work shall be immediately stopped, the Engineer notified, and the cause remedied before proceeding with the work.

The completed sewer shall conform to the prescribed line and grade.

Variance from grade shall not exceed the larger of 12.7 mm or 0.03 mm per millimetre of pipe diameter. Provided in all cases that such variation does not result in a reverse sloping of invert.

Variance from alignment shall not exceed two (2) times the variance allowed for grade.

6.3 Monolithic Concrete Sewer

Diameter, wall thickness, type and strength shall be as stated on drawings or elsewhere in the specifications. All concrete work shall conform to City of Saskatoon specification 06020 entitled "Plain and Reinforced Concrete".

The lower third of the sewer circumference shall be formed using rolled steel forms. Each form shall be accurately manufactured to fit the specified radius and shall be continuous throughout the length to be poured. The balance of the forms may be of wood or steel provided they are adequate for strength and quality of finish.

When the forms are removed, all protrusions shall be chipped from the walls of the tunnel and any rough sections shall be mortared. The completed tunnel shall have smooth walls which accurately match the specified radius.

At construction shaft locations, bends and manhole locations, the Contractor shall construct the special sections of tunnel as shown on the plans. The Contractor shall include all the extra cost for additional excavation, labour, concrete and reinforcing steel in his unit price for the standard tunnel construction. No additional payment will be made for these special sections.

6.4 Galvanized Steel Tunnel Liner

Galvanized steel tunnel liner shall be stated on drawings or elsewhere in the specifications. Installation shall be in strict accordance with manufacturers' recommendations and instructions of the Engineer. The Contractor shall cut and reweld tunnel liner as required to make specified bends and deflections. All such reworked metal shall be given two (2) coats of an approved asphalt prior to installation. The Contractor shall include all cost for such special work in his unit price for standard tunnel construction. No additional payment will be made for these special sections.

Where monolithic concrete has been specified but adverse soil conditions make it impossible to construct same, steel tunnel liner may be substituted upon written permission of the Engineer. The steel tunnel liner shall be not less than one standard size or 150 mm diameter, whichever is greater, larger than the specified inside diameter for monolithic concrete liner. The steel liner shall be hot dip bituminous coated prior to installation.

The Contractor will be paid for supplying and installing the steel liner at the same unit price as was tendered for installing monolithic concrete liner.

08015-7 TUNNEL SAFETY AND ACCESSORIES

7.1 General

The Contractor shall comply with all regulations of the Saskatchewan Workmen's Compensation Board and the Saskatchewan Department of Labour respecting the protection of persons working in tunnels and/or in compressed air.

All power machinery and tools within the tunnel heading and shaft shall be operated by electricity, compressed air or other approved power. The use of internal combustion engines in the tunnel or shafts is forbidden.

The Contractor shall keep adequate first aid kits at the site of the works at all times.

All reasonable precaution against fire shall be taken and adequate fire protection shall be provided in such a manner as may be approved by the Engineer. Head frames built of combustible material shall be open framework. Waste material and rubbish of any kind shall not be allowed to accumulate underground. Only material which may be used within the next 24 hour period may be stored in the tunnel at any time and the tunnel shall be kept free and clear of all material not actually in use. Smoking or the use of unprotected lights shall be prohibited in the head houses, shafts and tunnel and notice shall be posted to this effect. Adequate approved fire extinguishers full and ready for use shall be provided in all surface buildings, head frames and underground workings or where danger of fire seems likely to exist.

7.2 Ventilation

A supply of fresh air to the working chambers shall be sufficient at all times to permit work to be done without damage or discomfort.

Suitable provision shall be made by the best available means to keep the temperature in the working chamber at comfortable levels.

A ventilating plant with a capacity of at least 2.83 cubic metres of air per man per minute shall be installed and used while work is going on, and so much of the other time as is required to produce the conditions herein before specified.

Ventilating pipes shall be of approved size, well supported, strong enough to resist collapse and maintained airtight. Unless otherwise permitted, vent pipes shall be maintained within 45.7 metres of the face of the heading in tunnel. In tunnels 45.7 metres or less in total length, the Contractor may, subject to prior approval of the Engineer, modify this requirement through the assistance of natural ventilation.

7.3 Electric Wiring and Lighting

All electrical wiring and facilities shall be in accordance with Provincial regulations and shall be maintained in first class conditions. All wiring and conduits in shafts and the tunnel shall be removed on or before completion of the Contract.

The shafts and tunnel shall be lighted with electric lights in sufficient number to insure proper work and inspection. At headings and at places where pipe lining or concrete is being placed or grouting done, and at other points where work is going on or inspection is being made, adequate special illumination shall be provided.

7.4 Hoisting

Bucket cables shall be equipped with an approved safety hook attached directly to the cable and all buckets shall be equipped with approved safety dogs on the bail.

No men shall be allowed to ride on loaded buckets and all men shall be required to ride in the bucket and not on the rim or bail. Full safety precautions shall be taken to insure safety of buckets. Cages shall be provided with strong protective roofs.

Safety precautions shall include frequent inspection of hoisting cables, safety catches, hooks and dogs and landing dogs at all landings, and effective devices for the prevention of overwinding shall be provided. All hooks and dogs shall be of the best design. Effective and reliable means shall be provided for indicating at all times to the hoisting engine man, the position of buckets or cages. The efficiency of all safety devices shall be established by satisfactory tests before the hoists are put in service, and at approved intervals thereafter.

In addition to a telephone system, effective and reliable signalling devices shall be maintained at all times to give instant communications from the foot of the shaft and the shaft head to the hoist room.

08015-8 TUNNELLING UNDER COMPRESSION AIR

If the soil is found to be unstable and of such high water content that operations cannot be carried on satisfactorily with tunnel liners, the soil shall be dewatered. The Contractor shall submit for approval to the Engineer, his proposed method of working with compressed air and proposed air pressures prior to starting this working method. The Contractor shall comply with any orders issued by the Workmen's Compensation Board in this connection.

The Contractor shall supply complete compressing equipment, locks, etc. required to supply and control air pressure as required in the tunnels. The compressors both for high pressure air for mining, etc. and low pressure air for ventilation and water control shall be electrically driven with standby diesel or gas engine driven equipment and operated so as to cause a minimum of inconvenience to adjacent residences. Standby equipment for low pressure air shall be arranged for immediate starting in case of failure of electric power. The compressing machinery shall be installed in a

weatherproof structure adjacent to the operating shaft. The building shall be tight all around, including at the ground level, eaves, etc. and shall be insulated against sound transmission. Compressors shall be equipped with silencers and receivers on the intake and exhaust lines and engines shall have super quiet exhaust silencers as required to effectively reduce the noise to prevent annoyance to adjacent owners.

Air shall be admitted to the compressors through the roof by steel or cast iron pipes. Compressors shall not be operated after 10 o'clock at night without permission of the Engineer.

Air for ventilation and water control shall be supplied by compressors separate from compressors supplying high pressure air. Low pressure air compressors shall have ample standby units so one compressor can be out of service without reducing the amount of air supplied. Accurate gauges and controls shall be operated to carefully control the air pressure. A recording gauge shall provide a continuous record of the air pressure in each heading and be mounted outside the air lock. Gauges shall be enclosed in locked waterproof cases and shall be kept in continuous operation.

A lock attendant shall be on duty and shall control operation of the air lock and locking out time, whenever air pressure in the tunnel exceeds 103.4 kPa and shall keep a complete record of personnel entering and leaving the tunnel with time of entry and leaving and rate of decompression. Decompression time for all personnel passing through the lock shall be strictly controlled according to the Department of Labour regulations.

The Contractor shall advise all employees working under compressed air or in other hazardous conditions, of the dangers which might be encountered and of precautions to be taken to assure their safety in cases of emergency.

The Contractor shall provide competent medical attendance and such other medical facilities as may be required by current regulations of the Department of Labour.

The Contractor shall keep complete full records of medical examinations of his personnel working under compressed air and such records shall be available to the Engineer. Any cases of compressed air sickness shall be reported and treated at once. Records of such cases shall be kept on the job and shall be readily accessible. All persons working in compressed air shall undergo regular physical examinations.

08015-8 CLEANUP

The tunnel shall be cleaned of construction material, waste and debris as each section is completed. Surface work site areas including shaft and alignment hole locations shall be cleaned up and restored to original condition except where otherwise permitted in writing by the Engineer. Excavated material hauled to dumping sites shall be trimmed and levelled thereon.

END OF SPECIFICATION 08015

INDEX

		<u>Page</u>
08020-1	GENERAL DESCRIPTION OF WORK	2
08020-2	MATERIALS FOR CATCHBASINS, RISER RINGS & GRADE RINGS	2
08020-3	CONSTRUCTION	2
	3.1 Catch Basin Lead	2
	3.2 Roadway Subdrainage Pipe	5
	3.3 Catch Basin Units & Storm Sewer Manhole Connections	6
	3.4 Catch Basin Frame Adjustment	7
	3.5 Existing Utilities	7
08020-4	PAYMENT	8

08020-1 GENERAL DESCRIPTION OF WORK

The work to be done under this specification consists of providing all labour, plant, tools and equipment and supplying certain materials necessary for the construction of catch basins and leads and other related work, all in accordance with these specifications, the accompanying plans and all City Bylaws.

08020-2 MATERIALS FOR CATCHBASINS, RISER RINGS & GRADE RINGS

Materials used for catch basins shall be in accordance with the current ASTM Specification C478M-09, and as per drawings.

Rubber adjustment riser rings shall be Infra-Riser or approved equal; have a 615 mm I.D. and 806 mm O.D.; and be flat type or a 25 mm to 50 mm taper.

Concrete grade rings shall be constructed using Type HS/HSb cement. Concrete compressive strength shall be 32 MPa, with a minimum of 5 to 8 percent air entrainment. Reinforcement shall be 75 x 75 x 6.25 mm wire, single layer on centre. Outside diameter shall be 800 mm and inside diameter shall be 600 mm with varying height. .

The Contractor shall supply all poured in place concrete grout, pipe bedding materials, sealant for rubber adjustment riser rings and any other materials necessary to complete the work.

08020-3 CONSTRUCTION

3.1 Catch Basin Lead

All catch basin leads shall be connected to storm sewer manholes or other catch basin barrels. The connection of leads directly to the mains will not be

permitted. Catch basin leads shall be laid in a straight line and at a constant and uniform grade of not less than 2%.

1. Excavation

The minimum width of trench below the crown of the pipe shall be 600 mm. Upon excavation of the trench to the required depth, a layer of pipe bedding aggregate shall be placed and compacted to 98% of Standard Proctor Density to a minimum depth of 75 mm. Any over-excavation by the Contractor below the required grade shall be backfilled at his expense with an approved compacted aggregate or gravel. Where leads are required to cross an area with unstable soil conditions, the Contractor shall over-excavate to a depth as directed by the Engineer. The over-excavated area shall then be filled with base gravel to the bottom of the pipe. The gravel will be paid for at the price tendered for base gravel in place.

2. Pipe Laying and Jointing

The Contractor shall establish and maintain line and grade control using a batterboard and boning rod system, laser beam system or other system approved by the Engineer.

The Contractor shall constantly check line and grade and in the event they do not meet that specified, the work shall be immediately stopped, the Engineer notified, and the cause remedied before proceeding with the work.

All pipe shall be installed with the spigots in a downgrade position. Bell holes shall be hand excavated at the end of each pipe for catch basin lead pipe with enlarged socket ends. An even bearing must be given to each

pipe as it is installed and all adjustments for line and grade shall be made by hand shovel removal or filling in with compacted pipe bedding aggregate under the body of the pipe and not by wedging or blocking.

There shall be a maximum of two couplers allowed per single catch basin lead. All joints shall be made under the inspection of the Engineer with joints close and evenly abutting all around the pipes, special care being taken so that there will be no sagging of the spigot end in the hub, and that a true, even surface is given to the invert throughout the entire length of the sewer. The interior of the pipes and sockets must be cleared of earth, sand, stones, water and all foreign material before any jointing is done. The installation and jointing of the pipe shall be performed in a workmanlike manner in accordance with manufacturer's recommendations and accepted procedures for the particular material or product being used.

Pipe bedding aggregate shall be placed and mechanically compacted to 98% of Standard Proctor Density up to the spring line of the catch basin lead.

3. Backfill

Backfilling trenches before a thorough inspection by the Engineer or his representative will not be permitted.

The use of Fillcrete (Unshrinkable Fill – See Section 03001-3.2.10) is preferred when backfilling trenches. If Fillcrete is not used, the following methodology will be used for backfill:

Initial backfill in the pipe zone from the spring line of the pipe to 300 mm above the crown of the pipe shall consist of select approved backfill hand placed and mechanically tamped to 98% of Standard Proctor Density. Approved excavated material shall then be placed in 150 mm lifts over the whole width of the trench. Each lift shall be compacted to 98% of Standard Proctor Density using mechanical compaction equipment.

Granular backfill may be used in lieu of earth backfill. The granular material shall be placed and compacted in even layers to a minimum of 98% of Standard Proctor Density.

Periodical density tests will be performed by the City to make certain that the backfill is compacted to the specified density. Should the backfill not meet the specified density, the Contractor shall undertake to recompact the backfill. Another density test will be performed at the cost of the Contractor.

The cost of supplying, placing and compacting Fillcrete (Unshrinkable Fill – See Section 03001-3.2.10) or granular backfill shall be borne by the Contractor.

3.2 Roadway Subdrainage Pipe

All roadway subdrainage pipe shall be connected to catch basin barrels or T-connected to other subdrainage pipe (ie lane subdrain T-connected to road subdrain). Subdrainage pipe shall be laid in a straight line matching the grade of the roadway structure it is installed under.

1. Excavation

Excavation shall be performed as per the City of Saskatoon Standard Drawings for drainage layer or subdrain. Any unauthorized over-excavation shall be backfilled with approved compacted aggregate or gravel at the Contractor's expense.

2. Pipe Laying and Jointing

The contractor shall establish and maintain line and grade control using a batterboard and boning rod system, laser beam system or other system approved by the engineer.

3.3 Catch Basin Units & Storm Sewer Manhole Connections

Before installing precast catch basin barrels the area under the barrel shall be compacted to a minimum 98% of Standard Proctor density.

Precast concrete catch basin units shall be installed to grade on 75 mm of crushed rock (25 mm max. size) at the base. Manholes shall be cored and rubber gaskets used for lead installation. Debris resulting from the connection inside manholes shall be removed from the site. Manhole rungs are not to be removed or loosened in any way. If, however this does happen, the method of repair shall be determined by the Engineer and all costs borne by the Contractor.

All catch basin leads protruding into the manhole barrel shall be sloped according to the current City of Saskatoon Standard Drawing.

Roadway subdrainage pipe shall be connected to the catch basin barrel by coring and use of an approved rubber gasket. A 400mm long, 100 mm diameter PVC pipe shall be used at the catch basin and connected to the

perforated drainage pipe with an approved coupler.

3.4 Catch Basin Frame Adjustment

Catch basin barrels will be left 225 mm low to accept grade rings below the catch basin frame.

The rubber adjustment riser rings are to be bonded to the concrete barrel, other rubber adjustment riser rings, and catch basin frame using a waterproof elastomeric polyurethane sealant. The sealant shall be applied in a continuous bead around the above noted components approximately 25 mm from the inner and outer edges. The sealant must be sufficiently placed between all grade rings (rubber and concrete) and frames so that when the components are placed together the total areas touching are covered and sealant is squeezed out around the entire inner and outer circumference. A finished bead of sealant shall be placed on the inside and finished smooth. The supply and application of the sealant shall be the responsibility of the Contractor.

In most cases a 25 mm rubber adjustment riser will be placed between the catch basin barrel and 150 mm concrete grade ring. Between the 150 mm concrete grade ring and the catch basin frame will be placed two 25 mm - 50 mm rubber adjustment rings.

3.5 Existing Utilities

Prior to the installation of the catch basin unit and lead in the vicinity of existing underground utilities, the Contractor shall contact the Owner of the utility and undertake all precautions as directed. Any damage caused to the

utility shall be repaired at the expense of the Contractor. If hand excavation is required to clear the utilities, such shall be carried out by the Contractor at no additional cost.

On curb returns, the catch basin unit shall be constructed after the straight section of the sidewalk or curb is completed. The catch basin frame shall be set to proper grade and alignment and the sidewalk or curb poured monolithically to the frame. In locations where the curb alignment is straight, the catch basin may be installed after the alignment and grade of the curb or sidewalk has been staked for construction. Separate staking for catch basin construction will not be carried out.

Where an existing catch basin lead is not required, it shall be plugged by suitably concreting the lead at the manhole and at the catch basin barrel. If the catch basin barrel is not removed, it shall be backfilled with compacted granular material.

08020-4 PAYMENT

- 4.1** Catch basin will be paid for at the unit price tendered per catch basin unit. No payment will be made for incomplete units.

- 4.2** Payment for catch basin leads will be at the price per lineal metre tendered and based upon measured length from the outside edge of the catch basin grate to the nearest edge of the manhole rim.

This covers the complete work of installing the lead, including excavation to a maximum depth of 2.0 metres, pipe laying and jointing, sealing, and backfilling with Fillcrete (Unshrinkable Fill – See Section 03001-3.2.10) or backfilling with approved material to the specified density.

Where depth of trench excavation exceeds 2.0 metres, the cost of excavation in excess of 2.0 metres will be paid at the unit price for extra excavation.

- 4.3** Payment for roadway subdrainage pipe will be on a price per lineal metre and based on a measurement from the outside edge of the catch basin grate to the end of the pipe.

This covers the complete work of installing the subdrainage pipe, laying and jointing and includes the PVC connection to the manhole.

- 4.4** Payment for raising and lowering existing catch basins will be paid at the unit price per vertical metre as measured by the Engineer. Payment will include all labour and material required, including bricks and mortar. No payment will be made for adjusting an existing catch basin horizontally if no vertical adjustment is required.

- 4.5** Payment for exchanging old catch basins or manhole frames and covers will be paid at the unit price which will include all labour and hauling to and from Central Stores.

- 4.6** Payment for removing and salvaging existing catch basin units will include all labour and equipment including filling with Fillcrete (Unshrinkable Fill – See Section 03001-3.2.10) or backfilling with approved material and compacting the hole to 98% Standard Proctor and returning salvaged material to Central Stores. Unsalvageable material such as brick is classified as ordinary excavation and shall be removed from the site.

- 4.7** Payment for Fillcrete (Unshrinkable Fill – See Section 03001-3.2.10) or compacted granular material, when required at a manhole or trench, will be made at the contract unit price per cubic metre and will include all labour and material required to place and compact to a minimum of 98% Standard Proctor Density.

- 4.8 Payment for extra compaction of trench to increase from specified 98% to a minimum of 100% Standard Proctor Density will be made at the contract unit price and will include all labour, material and equipment required to obtain this additional compaction.
- 4.9 Payment for blocking off existing catch basin leads will be made at the contract unit price for each lead blocked off, and will be full compensation for all labour and material required.

END OF SPECIFICATION 08020

INDEX

		<u>Page</u>
08025-1	SCOPE	5
08025-2	PERMITS AND FEES	5
	2.1 Existing Infrastructure – Requirements and Fees	5
08025-3	MATERIALS	6
	3.1 Water and Sewer Materials	6
	3.2 Concrete	6
	3.3 Granular Backfill	6
	3.4 Street Gravel	6
	3.5 Pipe Bedding Sand	7
	3.6 Unshrinkable Fill	7
	3.7 Crushed Rock	7
	3.8 Tapping Method	7
08025-4	EXISTING UTILITIES AND STRUCTURES	9
	4.1 General	9
	4.2 Conflicting Utilities	9
	4.3 Disruption of Service	10
	4.4 Existing Sidewalks and Curbs	10
	4.5 Signing	11
	4.6 Damage to Existing Utilities and Structures	11

	<u>Page</u>
08025-5	EXCAVATION 12
5.1	General 12
5.2	Classes of Excavation 12
5.2.1	Common Excavation 12
5.2.2	Rock Excavation 13
5.2.3	Blasting 13
5.2.4	Unstable Subgrade 14
5.3	Trenching 14
5.3.1	General 14
5.3.2	Trench Width and Depth 15
5.3.3	Trenching on Paved Streets 15
5.3.4	Tunnelling or Augering 16
5.3.5	Trenching in Winter Conditions 17
5.3.6	Excavations for Tappings and Tee Installation 17
08025-6	SHORING 17
08025-7	PREPARATION OF TRENCH BOTTOM 18
08025-8	CONNECTION TO EXISTING FACILITIES 19
8.1	Tapping Mains 19
8.2	Water Services Greater than 50 mm 20
8.3	Tapping Sewer Mains 22
8.4	Connections into Manholes 23
8.4.1	Existing Manholes 23
8.4.2	Constructing New Manholes 24

		<u>Page</u>
08025-9	LAYING AND JOINTING PIPE	25
9.1	Sewer Service Pipe	25
9.1.1	General	25
9.1.2	Bedding	26
9.1.3	Alignment and Grade	26
9.1.3.1	Use of Bends	27
9.1.4	Jointing	27
9.1.4.1	Slip-Seal Joint	27
9.1.4.2	Plain End	27
9.1.4.3	Vitra-Mate or Vitra Flex	27
9.1.4.4	A.C. Sewer Pipe	27
9.1.4.5	PVC Sewer Pipe	28
9.1.5	Cleanouts	28
9.1.6	Pipe Laying in Tunnels	29
9.1.7	Vertical Risers	29
9.2	Water Service Pipe	29
9.2.1	General	29
9.2.2	Jointing	30
9.2.3	Curb Stops and Boxes	30
08025-10	INSPECTION	31

	<u>Page</u>	
08025-11	BACKFILL	32
11.1	Initial Backfill in the Pipe Zone	32
11.2	Backfill Above the Pipe Zone	33
11.2.1	Class I Backfill	33
11.2.2	Class II Backfill	33
11.2.3	Class III Backfill	35
11.3	Backfilling Tunnels	35
11.4	Backfilling in Winter Conditions	35
08025-12	CONNECTION CUT OFFS	36
12.1	Domestic water Connections (50 mm or less)	36
12.2	Commercial, Industrial and Multi-Unit Water Connections (Up to 50 mm)	36
12.3	Commercial, Industrial and Multi-Unit Water Connections (100 mm and greater)	37
12.4	Reuse of an Existing Main Stop	37
12.5	Sanitary Sewer	38
08025-13	RESTORATION AND CLEANUP	39

08025-1 **SCOPE**

These specifications shall cover the supply of all material, labour, equipment, plant and tools necessary for the construction and cut-off of water, sanitary sewer and storm sewer service connections within Saskatoon's City Limits.

These specifications regulate the construction of service connections including: water services up to 50 mm in diameter and sewer services up to 150 mm in diameter. The construction of larger service connections is regulated by these specifications together with Water Main Construction, Section 08030 and Gravity Storm and Sanitary Main Construction, Section 08010.

08025-2 **PERMITS AND FEES**

The Contractor shall construct all service connections as per the drawings submitted with the "Building Application - Water and Sewer Section" form.

Before any work within the City Right-of-Way is performed, the Contractor shall have an approved permit "Use of Right-of-Way Permit". This permit shall be obtained by contacting the Transportation Right of Way Group at 975-2460. There may be restrictions on times and dates that portions of Right-of-Way may be available and this will be outlined in the Use of Right-of-Way permit.

2.1 **Existing Infrastructure - Requirements and Fees**

Certain fees for inspection, tapping mains, pavement and concrete repair, detouring services and public liability insurance shall be charged by the City to the Contractor on completion of the work.

The contractor shall obtain the conditions of work and fee rates by contacting the Water & Sewer Connections Desk at 975-2461 before estimating or commencing any particular project. The Water & Sewer Connections Desk will outline the requirements and fees so that the Contractor shall know in advance and the safety of the water and sewer system remains intact.

08025-3 **MATERIALS**

3.1 Water and Sewer Materials

Materials for use in the construction of water, sanitary sewer and storm sewer service connections shall conform to Section 08000 and 08003.

3.2 Concrete

All concrete shall be sulphate resistant and have a minimum compressive strength of 20 MPa at 28 days.

3.3 Granular Backfill

Granular backfill shall consist of a graded mixture of sand, gravel, and stone of which no portion shall be greater than 75 mm in diameter, nor shall the material contain more than 10% by volume passing 0.420 mm (No. 100) sieve.

3.4 Street Surface and Base Gravel

Street gravel shall be composed of durable rock, free from undesirable quantities of soft or flaky particles, loam, organic or other deleterious material. Street gravel shall conform to the gradation as per Section 08000-7.2.

3.5 Pipe Bedding Aggregate

Pipe bedding aggregate shall conform to the gradation as per Section 03001-3.2.7.

3.6 Unshrinkable Fill

This material shall conform to the specifications as per Section 03001-3.2.10.

3.7 Crushed Rock

Crushed rock is fragments of durable rock, free from undesirable quantities of soft or flaky particles, shale, loam and other harmful material.

Where crushed rock is required the material shall conform to the specifications as per Section 03001-3.2.8.

3.8 Tapping Method

The method of tapping shall reflect the table below. Any deviations shall be approved by the Engineer and the Water and Wastestream Division.

See Division 15 – Construction Materials for approved products.

Cast and Ductile Iron					
Pipe (mm)	100	150	200	250	300
Tap Size (mm)					
20	N/A	1, 2, 4	1, 2, 4	1, 2, 4	1, 2, 4
25	N/A	1, 2, 4	1, 2, 4	1, 2, 4	1, 2, 4
40	N/A	2, 4	2, 4	2, 4	2, 4
50	N/A	2, 4	2, 4	2, 4	2, 4
100+	N/A	N/A	*3	*3	*3
Asbestos Cement					
Pipe (mm)	100	150	200	250	300
Tap Size (mm)					
20	N/A	2, 4	2, 4	2, 4	2, 4
25	N/A	2, 4	2, 4	2, 4	2, 4
40	N/A	2, 4	2, 4	2, 4	2, 4
50	N/A	2, 4	2, 4	2, 4	2, 4
100+	N/A	N/A	*3	*3	*3
PVC					
Pipe (mm)	100	150	200	250	300
Tap Size (mm)					
20	N/A	1	1	1	1
25	N/A	1	1	1	1
40	N/A	2, 4	2, 4	2, 4	2, 4
50	N/A	2, 4	2, 4	2, 4	2, 4
100+	N/A	N/A	*3	*3	*3
Steel					
Pipe (mm)	100	150	200	250	300
Tap Size (mm)					
20	N/A	2, 4	2, 4	2, 4	2, 4
25	N/A	2, 4	2, 4	2, 4	2, 4
40	N/A	2, 4	2, 4	2, 4	2, 4
50	N/A	2, 4	2, 4	2, 4	2, 4
100+	N/A	N/A	*3	*3	*3

- Legend:**
- 1 Direct tapping allowed
 - 2 Tap through an approved tapping saddle
 - 3 Tap through an approved tapping tee
 - 4 Tap through an approved tapping sleeve
 - 5 New systems – Connect to a Pre-tapped PVC coupling
- N/A Not allowed, except where approved by the Engineer and the Water and Wastestream Division
- * Tapping size must be one size smaller than the pipe diameter.

08025-4 **EXISTING UTILITIES AND STRUCTURES**

4.1 General

Before starting any excavation, and at his own expense, the Contractor is responsible for determining the actual location and elevation of all sewer, water and gas mains or lines, electric light, power, telephone or telecommunications conduits, or other such structures or utilities which may exist in the area of the proposed work.

The Contractor is responsible for notifying the respective utility at least 48 hours before his intention to carry out operations near the said utility and if required shall pay for any services supplied for locating these utilities.

4.2 Conflicting Utilities

Where existing utilities conflict with the proposed work, the Contractor shall immediately notify the Engineer and the Owner of the utility. The Contractor shall proceed as directed by the Engineer or utility owner.

If the proposed work can be altered to avoid the conflict with the existing utility and the Engineer so orders, the Contractor shall supply all labour and material required to change his work to conform to the new alignment.

When traversing beneath existing utilities, they must be supported with timber shoring approved by the Engineer. Before backfilling the trench, the suspended utility must be supported from below with well-tamped backfill according to Section 08025-12.3.1 Class I Backfill. When the level of compaction required for Class I Backfill is not attainable directly below the duct, the Contractor shall pour non-shrink concrete in compliance with Section 08025-3.6. The Contractor shall supply and install this material at his cost.

Where the existing utility must be relocated to avoid conflict with the new work, the Contractor may be ordered to relocate the utility under the direction of the utility owner or the utility owner may relocate the utility himself. In either case, the Contractor shall be responsible for all the costs incurred.

4.3 Disruption of Service

When in the course of the work, existing utilities must, for reasonable cause, be temporarily disconnected, the Contractor shall give all persons affected 48 hours written notice.

The Contractor shall contact the utility owner who may disconnect the utility himself or supervise the Contractor during disconnection.

In no case shall the Contractor operate any utility without the approval of the owner.

All costs incurred during the disruption of service from any utility shall be borne by the Contractor.

4.4 Existing Sidewalks and Curbs

The Contractor shall take precautions to protect existing sidewalks and curbs from damage as a result of his operations. Where it is necessary for equipment to work on or cross existing sidewalks, the Contractor shall carefully place planks or mats on the sidewalks.

4.5 Signing

The Contractor shall sign and demark all excavations to the standard as set out by the Traffic Control Manual (1982). The Contractor shall supply and install all signs, signals, snow fence and barricades necessary for public safety. The Contractor shall securely fence all excavations during unsupervised periods.

Where the work will require the detouring of traffic around the site, the Contractor shall contact the City of Saskatoon Transportation Right of Way Group at 975-2460 and arrange for all necessary detours.

The Contractor shall be responsible for maintaining access to all private property during construction.

4.6 Damage to Existing Utilities and Structures

When a utility is exposed during construction, the Contractor shall immediately inform the owner of the utility, who may inspect the utility before backfilling.

Any damage to the existing utility shall be repaired at the Contractor's expense.

No sidewalk or curb shall be removed by the Contractor without the approval of the Engineer. The Transportation & Utilities Department shall repair sidewalks and curbs damaged or removed by the Contractor without prior approval. Unless otherwise specified, the Contractor shall pay for this work. The Contractor may repair the damage with its own forces, at no charge to the City, only if prior approval was granted by the Engineer. All

work must be restored to as-built conditions and conform to current specifications.

All culverts, drains, removed; and ditches, embankments damaged during the work shall be replaced or repaired by the Contractor at his expense to the current specifications enforced by the City. Mains and service connections damaged by the Contractor shall be repaired by the Contractor at his expense subject to the Engineer's approval and inspection.

08025-5 EXCAVATION

5.1 General

The Contractor shall schedule and conduct the work to cause the least interruption to traffic. The Contractor shall refer to Section 00700-45 (Traffic Operations) of the General Conditions and be governed by the regulations stated therein.

The Contractor shall provide for the free passage of surface water and shall not obstruct the gutters of any street.

The Contractor shall protect all trees, shrubbery, fences, poles, survey pins and all other property from damage during the work and shall repair or replace any items removed or damaged at his expense.

5.2 Classes of Excavation

5.2.1 Common Excavation

Common excavation shall be taken to mean the removal of all materials, except rock, from the trench to the lines and levels shown

on the plans or specified herein for the construction of service connections.

5.2.2 Rock Excavation

The word "Rock" wherever used as the name of an excavated material, shall mean boulders and pieces of concrete or masonry exceeding 0.25 m³ in volume or solid ledge rock and masonry which, in the opinion of the Engineer, requires for its removal, drilling and blasting.

The Contractor shall note that asphalt or concrete pavements, sidewalks, drains, sewers, manholes, conduits, tanks, soft or disintegrated rock which can be removed with a hand pick or power operated excavator or shovel; loose, shaken or previously blasted rock or broken stone in rock fillings or elsewhere, and rock exterior to the maximum limits of the trench width shall not be considered "rock excavation". Rock shall be disposed of at a site designated by the Engineer.

5.2.3 Blasting

No explosives shall be stored on the site nor shall any blasting be done without the prior approval of the City Manager. Such approval shall not relieve the Contractor of his sole responsibility for any damage or accident to adjoining utilities, properties and structures or other persons as a result of his operations.

The supplying, hauling, handling and storing of all explosives and accessories shall be done according to the rules and regulations of the Explosives Division, Department of Mines, Ottawa and the Mining Act.

5.2.4 Unstable Subgrade

Where the bottom of the trench at subgrade is found to be unstable or to include ashes, cinders, any type of refuse, organic material or large pieces of inorganic material which in the opinion of the Engineer should be removed, the Contractor shall excavate and remove such unsuitable material to the width and depth ordered by the Engineer. The subgrade shall be made by backfilling with an approved granular material in 75 mm lifts. Each lift shall be thoroughly compacted to a density approved by the Engineer.

Where the bottom of the trench at subgrade is found to consist of material unstable to such degree that, in the opinion of the Engineer, it cannot be corrected by methods specified above, the Contractor shall construct a foundation for the pipe in accordance with plans prepared by the Engineer.

5.3 Trenching

5.3.1 General

The line of the trench shall be straight from the water and sewer mains to the building or to the point on the lot where the service connection is to terminate.

Where possible the line of the trench shall be perpendicular to the water and sewer mains.

Deviation from this procedure shall only be permitted with the written consent of the Engineer.

The connection may not be laid so as to encroach onto an adjoining Property.

The earth taken from the trench shall be neatly deposited at the sides of the trench to obstruct the street or lane as little as possible. Where it is impractical in the opinion of the Engineer to place the earth at the side of the trench, it shall be removed and deposited to a location designated by the Engineer.

5.3.2 Trench Width and Depth

All trenches shall be sufficient width to permit proper jointing of the pipes but in all cases the width shall be at least 750 mm for a single set of services and at least 1000 mm wide for a double set of services.

Excavation for the service shall be carried out to provide 2850 mm cover at the property line and 2250 mm at the building. The slope of the sewer line shall not be less than 20 mm per metre.

5.3.3 Trenching on Paved Streets

Paved streets shall include all soil cement and macadamized road surfaces in addition to those paved with asphalt and/or concrete.

Where a service connection is to be constructed on a paved street, only that portion of the street directly above the water and sewer mains shall be open cut. The remainder of the street shall be tunnelled or augured. Additional open cut shafts may be approved by the Engineer to ensure that the correct line and grade are being maintained.

The Contractor is responsible for controlling the removal of the asphalt to ensure that the resulting asphalt cut is rectangular in shape and the walls are vertical. Where soil conditions disrupt the integrity of the initial cut, the contractor shall ensure that the resulting cut meets the specifications listed previously.

5.3.4 Tunnelling or Auguring

Where the line of the proposed service connection crosses a street designated arterial or proposed arterial; crosses a sidewalk or the location of a proposed sidewalk; crosses under another buried utility, the Contractor shall excavate by tunnelling or auguring methods.

The Contractor shall maintain the correct line and grade on the utility throughout the tunnelled or augured section and shall provide for the protection of the workers according to the regulations of the Saskatchewan Department of Labour.

The maximum size of the tunnelled or augured section shall be the largest outside diameter of the pipe measured at the joint plus 50 mm.

The minimum length of the tunnelled or augured section under an existing or proposed sidewalk shall be 3000 mm.

5.3.5 Trenching in Winter Conditions

If thawing of the ground is required, the method shall first be approved by the Engineer.

All excavated material that is frozen or which subsequently becomes frozen shall be removed from the site of the work and shall be disposed of to a site designated by the Engineer.

5.3.6 Excavations for Tappings and Tee Installation

The minimum excavation size required for tapping water mains is 1000 mm perpendicular to the main by 900 mm along the main-

For water connections larger than 50 mm the minimum dimensions of the excavation are 1500 mm perpendicular to the main by 1500 mm along the main.

08025-6 SHORING

Open cut trenches and shafts shall be sheeted and braced as required by the Occupational Health and Safety Regulations of the Saskatchewan Department of Labour and as may be necessary to protect life, property and the work.

All necessary shoring and bracing required for the prevention of movement surrounding the excavation shall be provided for and installed by the Contractor.

The right of the Engineer to order sheeting, bracing, underpinning or any other form of brace or support shall not be construed as creating any obligation on his part to issue such orders, and his failure to exercise his right to do so shall not relieve the Contractor from his responsibility for damages to persons or property arising from or upon the work of construction occasioned by negligence or otherwise growing out of a failure on the part of the Contractor to leave in place in the trench sufficient sheeting and bracing to prevent any caving or moving of the ground adjacent to the sides of the trench, or for failure to construct and maintain proper support of all kinds whatsoever in the first instance.

Sheeting and bracing left in place must be cut off and removed for a depth of 900 mm below the established street grade or the existing surface of the street, whichever is lower.

All materials and labour required for shoring shall be furnished by the Contractor.

08025-7 PREPARATION OF TRENCH BOTTOM

The Contractor shall remove by pumping or other means approved by the Engineer any water accumulated in the excavation. Trenches shall be free of water before the pipe is laid. Previously laid pipe shall not be used to drain the trench bottom. The disposal of water after removal from the trench shall be to the satisfaction of the Engineer.

The trench bottom shall be shaped in such a way that the body of the pipe rests on solid ground throughout its length, and so that when in final position the pipe is true to line and grade. Bell holes shall be hand excavated below the bottom of the trench and be of sufficient size to allow ample room for making complete and proper pipe joints.

Where the pipe zone contains rock or boulders that may damage the pipe, the bottom of the trench shall be over excavated to a depth of one-fourth (1/4) the diameter of the pipe, but in no case less than 150 mm below the bottom of the pipe. Where over excavation of the trench bottom has occurred, the Contractor shall replace the excavated material with approved granular backfill to the invert of the pipe and compact it to 98% of Standard Proctor Density.

08025-8 CONNECTION TO EXISTING FACILITIES

The Contractor shall supply all materials when making the connection including but not limited to the following: main stops or valves, water pipe, tees, anodes, welded tee (steel pipe), pipe coatings, saddles, pipe hub ends for storm sewer connections and cement mortar.

8.1 Tapping Water Mains

City employees shall perform all tapping of water services up to 50 mm in diameter. When a tapping is required, the Contractor shall give the City 48 hours notice and shall have the mains properly exposed and ensure that the trench is safe and properly shored.

The Contractor shall indicate the location on the main where the tapping is to be made.

The Contractor shall supply and install a tapping saddle or sleeve, when required, on the water main at the required location. See Section 08025-3.8 for required tapping method.

Copper water tubing requires a smooth even "Gooseneck" curve at the main stop. 19 mm copper connections shall have a gooseneck 300 mm above the water main crown. Larger copper connections shall have a gooseneck 400 mm above the water main crown. For copper services the main is tapped at 30 to 45 degrees above the horizontal plane.

Polyethylene connections shall have a horizontal gooseneck extending in two curves a distance of 400 mm on each side of the centre line of the connection. The tapping shall be horizontal and perpendicular to the water main.

Tappings shall not be made closer than 450 mm from a joint or a main stop.

8.2 Water Services Greater than 50 mm

The Contractor shall supply and install all materials for water services greater than 50 mm.

Water services shall be installed at the City water main by excavating, removing a portion of the water main and installing a water main tee, short length of PVC pipe (each a minimum of 300 mm long), and pipe coupling to the existing water mains and a valve on the water service.

The Water Service shall connect horizontally and perpendicular to the water main.

Water services greater than 50 mm up to 150 mm in diameter, require a 150 mm tee, 150 mm valve and reducer.

The Contractor shall protect each valve with a 24 pound Anode as specified in Section 08000-4.4. The tee, pipe coupling and all other metal water main fittings shall be connected each with a 12 pound Anode as specified in Section 08000-4.4. The anode shall be attached using a "Cadweld" in compliance with the manufacturers recommended installation procedures. The Contractor shall supply and install sacrificial zinc anodes to provide cathodic protection for all valves, hydrants and cast iron fittings installed under this Contract.

The Contractor shall connect a 24 lb. anode to each hydrant and each valve. Where the anode is connected to a valve, the anode wire shall also be connected to the valve box.

The Contractor shall connect a 12 lb. anode to each cast iron fitting, each robar coupling and to each copper water service line where the existing service lines are being reconnected into the new water main.

The Contractor shall install the anodes one metre away from the fitting/valve at water main depth and shall connect the anode wire to the cast iron using the "Cadweld" method. The Contractor shall provide experienced personnel who shall make these connections in accordance with the manufacturer's recommendations.

Following welding, the Contractor shall remove all slag from the weld, file off all sharp edges and coat all exposed cast iron surfaces, steel surfaces and "Cadweld" locations with "Denso" tape and paste.

When the installation is complete, the Contractor shall pour 10 litres of water over the anode and backfill uniformly around the anode. The exposed metal surfaces on all metal fittings shall then be field coated in compliance with 08000-4.2.

Where a water service will be made to an existing steel water main it shall be a Reinforced branch conforming to "Steel Water Pipe - A Guide for Design and Installation, American Water Works Association, M11 Manual". The Branch shall come complete with a flange end suitable for attaching a flanged valve.

8.3 Tapping of Sewer Mains

Sewer and storm sewer mains shall be tapped above the springline of the pipe at 45 degrees to the vertical plane. A 45° Long Radius shall connect to the saddle to allow for connection of the graded service. Where the main pipe is clay tile or concrete only one tapping shall be made into a one length of pipe. Tappings shall not be made closer than 450 mm from a joint or another tapping. The method of tapping used shall ensure a smooth edged hole suitable for accommodating the service saddle. No sharp or raised surfaces shall exist within the area covered by the saddle gasket, and the opening shall be sized small enough to allow the entire area of the saddle gasket to make contact with the outside of the pipe.

Where the pipe diameter is too large for existing saddle sizes, the bell end of a pipe may be used for connection to the main. The diameter of the opening shall be no larger than $1 \frac{1}{4}$ the diameter of the connecting service; the bell shall not protrude past the inner wall of the main greater than 25 mm, and 0.3 m³ of concrete shall be placed under the connection at the main.

The Contractor shall satisfy himself as to the relative position of the water and sewer leads at the house in order to properly plan his work so that when the mains are tapped the service pipes can be laid parallel to each other and at the correct grade and alignment.

8.4 Connections into Manholes

8.4.1 Existing Manholes

Wherever it is practicable, sanitary and storm sewer connections shall be made directly into existing manholes.

The Contractor shall supply all material, labour and equipment, required to tap into the manhole and complete the connection. The Contractor shall mortar the service pipe firmly into place, supply grout and reshape the channelling in the manhole if required; trim off the service pipe leaving no more or less than 100 mm extending into the inside of the manhole; supply and install an interior drop structure if required and remove any dirt or concrete rubble which has entered the manhole or main sewer as a result of his operations.

8.4.2 Constructing New Manholes

The Contractor shall supply all materials, labour and equipment required to construct the new manhole and complete the connection according to Section 8010-8.

Where the size of a sanitary service exceeds 150 mm and the connection cannot be made into an existing manhole, the Contractor shall construct a new standard 1200 mm manhole at the point of entry.

Where the size of the storm sewer service exceeds one-half the diameter of the storm sewer main or when the size of the storm sewer service exceeds 250mm, the Contractor shall construct a new 1200 mm manhole at the point of entry.

Where the connection is to be made to a large storm or sanitary sewer main, the Engineer may, on request, approve a special connection directly into the main.

08025-9 **LAYING AND JOINTING PIPE**

9.1 **Sewer Service Pipe**

9.1.1 **General**

The pipe shall be protected against impact shocks and free falling during the handling. Pipe shall be kept clean at all times.

Each pipe shall be inspected for defects before being lowered into the trench. Those not conforming to specifications will be rejected, and shall be removed from the site of the work. All sewers shall be laid in an upgrade direction with the bells laid upgrade. The sections of pipe shall be fitted together to form a smooth and uniform invert.

In making joints, care must be taken not to disturb or break joints already made, otherwise the pipes shall be uncovered, and the joints remade.

The interior of pipes shall progressively be freed from all dirt or other superfluous material.

Before leaving the work at any time, all open ends of pipe in place shall be closed with a watertight cap or plug.

Where the point of termination is at the property line, the Contractor shall install a watertight plug.

9.1.2 Bedding

The pipe shall be bedded in a natural solid soil foundation shaped to fit the lowest part of the pipe exterior.

The foundation supporting the pipe shall have a minimum width equal to 60% of the outside diameter of the pipe and shall be carefully hand trimmed and levelled to provide even bearing throughout the whole length of the pipe. The remainder of the pipe shall be surrounded by approved excavated material placed and compacted by hand to fill completely all spaces adjacent to the pipe. If the pipe cannot be laid on a solid soil foundation, bedding sand shall be used. All pipe shall be sand bedded on City of Saskatoon property. All pipe bedding shall be properly compacted with approved tamping machines.

9.1.3 Alignment and Grade

Sewer service lines shall be straight, perpendicular to the main sewer and shall terminate at a point designated by the Engineer.

Sewer service lines shall be installed with a minimum 2% grade, unless specific grades are supplied in the field by the Engineer, in which case these grades shall be adhered to.

9.1.3.1 Use of Bends

Long sweep 22-1/2 degree bends and long sweep 45 degree bends may be used on the horizontal. Short 45 and 22 degree bends shall not be used unless approved by the Engineer. Long sweep bends on the horizontal greater than 45 degrees shall require a cleanout.

9.1.4 Jointing

9.1.4.1 Slip-Seal Joint

This material is not approved for new installations.

9.1.4.2 Plain End Pipe

This material is not approved for new installations.

9.1.4.3 Vitra-Mate or Vitra Flex

This material is not approved for new installations.

9.1.4.4 A.C. Sewer Pipe

This material is not approved for new installations.

9.1.4.5 P.V.C. Sewer Pipe

The spigot and bell ends and/or the coupling as well as the pipe interior shall be carefully cleaned and inspected for damage. The neoprene gaskets shall be properly placed in the bell or coupling groove and the pipe sliding surfaces well lubricated with the approved lubricant.

The spigot end of the pipe shall then be inserted into the bell end or coupling until it is firmly in place according to the manufacturer's instructions. Extreme care shall be exercised in this procedure to ensure that the neoprene gaskets are not dislodged or damaged during the assembly.

9.1.5 Cleanouts

The Contractor shall supply and install a sewer cleanout at the following locations according to the current City of Saskatoon Standard Drawing as posted on the City's Internet web site:

- at each horizontal deflection in excess of 45 degrees in the line of the sewer service pipe.
- at points on a long sewer service that will provide access for cleaning at intervals not greater than 25 m.

9.1.6 Pipe Laying in Tunnels

The Contractor shall use P.V.C. pipe for that portion of the sewer service connection that is to be constructed in a tunnel.

The Contractor shall ensure that all joints are made as specified prior to installation into tunnel.

9.1.7 Vertical Risers

On some streets where the sanitary sewer is at great depths, the City of Saskatoon has constructed a sanitary sewer stand pipe (riser) to facilitate the construction of the sewer connections. The Contractor may be permitted to excavate down to the main sewer in preference to locating and connecting into the stand pipe. The riser shall be constructed to current specifications.

The City shall endeavour to supply the Contractor with information leading to the location of sewer service risers on deep sewers. In the event that the risers cannot be found, or when found, it proves to be damaged or unusable, the Contractor shall construct a riser according to the current specifications.

9.2 Water Service Pipe

9.2.1 General

The pipe and fittings shall be protected against damage during

handling, and shall be kept clean and free from dirt. Copper pipe shall not exhibit any signs of crimping or flattening. The Contractor shall use only new material and shall not use short cut-off lengths of pipe less than 2150 mm long. Unions shall not be installed between the main stop and the curb stop.

The minimum water service pipe diameter shall be 19 mm copper or 25 mm polyethylene.

Water service connections with a length greater than 23 m shall be a minimum of 25 mm diameter copper and 38 mm diameter polyethylene.

Water Services greater than 50 mm shall be installed to the requirements of Section 08030 Water Main Construction.

9.2.2 Jointing

All joints at main stops, curb stops, unions or other fittings shall be compression type. Compression joints shall be made according to the manufacturer's recommended procedure.

9.2.3 Curb Stops and Boxes

The non-draining curb stop shall be installed within the City Right-of-Way at a distance of 300 mm from the property line unless otherwise directed. A 305 mm x 152 mm x 50 mm concrete bearing block shall be placed under each curb stop.

The Contractor shall fasten the stainless steel spindle to the curb stop with a brass cotter key.

Curb boxes shall be placed vertically plumb and the Water and Sewer Contractor shall leave all curb boxes at 150mm below the future back of sidewalk grade.

Should the existing curb box be located in the street or sidewalk, the Contractor shall cut through the sidewalk or pavement to place the box flush with its surroundings, and also restore the sidewalk or pavement flush with the existing surrounding elevations.

Connections to vacant lots require a curb box marker. The curb box marker shall be installed a minimum length of 0.6 meters above ground and shall be 25mm polyethylene tubing. It shall be securely fastened to the spindle using tape or zip ties, as shown in the Service Connection Standard Drawing.

08025-10 INSPECTION

When the work is completed and before any backfilling, the Contractor shall allow an inspection of the work and shall provide all reasonable assistance during the inspection. If backfilling is completed prior to an inspection, the Engineer may require exposure of the connection for inspection purposes. All related costs of this procedure shall be at the expense of the Contractor.

When connecting to the watermain, the Contractor shall turn on the main stop and all joints shall be inspected for leakage.

When the inspection has been completed and all defects have been corrected, the Contractor shall backfill the excavation as specified.

08025-11 BACKFILL

The Contractor shall start backfilling immediately after the work has been inspected and all defects have been corrected, and shall complete the backfilling on the same date that the inspection was made.

11.1 Initial Backfill in the Pipe Zone

Initial backfill material in the pipe zone shall consist of selected excavated material or imported granular material, free from frozen lumps, rock, large stones, boulders or other unsuitable material. The initial lift shall be hand placed in the trench uniformly on both sides of the pipe up to the spring line and hand tamped with an appropriate hand tamper to attain a density of 98% of Standard Proctor Density at the optimum field moisture content. Special care shall be taken to thoroughly compact the backfill around and next to the mains at the points where the mains were tapped.

Additional 150 mm lifts of selected excavated material or imported granular material, as previously described herein, shall be hand placed in the trench uniformly with each 150 mm lift compacted using hand operated mechanical compaction equipment to attain a minimum density of 98% of Standard Proctor Density at the optimum moisture content up to a uniform minimum level 300 mm above the crown of the highest pipe in the trench.

11.2 Backfill Above the Pipe Zone

After the initial backfill has been placed and compacted, the remainder of the trench shall be backfilled according to one of the following methods. All backfill shall be tested according to the City of Saskatoon's decision.

11.2.1 Class I Backfill

Class I backfill as follows shall be used on all open cut portions on existing paved streets and boulevards.

The Contractor shall supply and place granular material in 300 mm lifts, over the whole width of the trench and shall compact each lift to 98% of Standard Proctor Density at optimum moisture content, using mechanical compaction equipment. The compacted granular material shall be brought up to 300 mm below the original street level. The Contractor shall supply and place 300 mm of street gravel flush with the original street level and compact it to 100% of Standard Proctor Density at optimum moisture content.

Under existing sidewalks, the Contractor shall place unshrinkable fill to an elevation 0.3 m below existing grade, unless otherwise directed by the Engineer.

11.2.2 Class II Backfill

Class II backfill, as follows, shall be used on prepaid service connections to backfill open cuts and on cash connections on all portions, other than cuts as per Section 11.2.1 Class I Backfill.

Class II backfill shall be placed uniformly along the trench in maximum 300 mm lifts with each lift compacted using mechanical compaction equipment to attain 98% of Standard Proctor Density at the optimum moisture content up to the top of the trench. If the Contractor does not consistently attain the specified compaction, the lift thickness, compactive effort or compaction equipment shall be modified until the specified densities are attained consistently.

This backfill may contain coarse materials but shall be free from brush or other objectionable material that would prevent proper consolidation or that might cause subsequent settlement. Rocks or stones not exceeding 10 kg may be placed in this portion of the backfill but must be placed by hand.

Where the excavation is carried out on an earth street, the compacted excavated material shall be brought up to the original street level.

Where the excavation was carried out on a gravel street, the compacted excavated material shall be brought up to 100 mm below the original street level. The Contractor shall then supply and place 100 mm of street gravel flush with the original street level and compact it to 100% of Standard Proctor Density at existing field moisture content.

Where the excavation was carried out on a paved street, or a street that has been prepared for paving, the compacted excavated material shall be brought up to 300 mm below the top of the pavement. The Contractor shall supply and place 300 mm of street gravel flush with the original street level and compact it to 100% of Standard Proctor Density at existing field moisture conditions.

11.2.3 Class III Backfill

Class III backfill shall consist of approved excavated material free from brush and rocks or stones over 10 kg and other objectionable material. Backfill material shall be pushed down a ramp or slope of existing backfill and not directly onto the newly bedded pipe. The trench shall be compacted to the surface in lifts of 300 mm maximum depth. The minimum compacted effort required shall be that to obtain in-situ density of the adjacent soil type. The backfill shall not be placed at less than 92% Standard Proctor at the optimum moisture content.

11.3 Backfilling Tunnels

Where the excavation is carried out by tunnelling or boring, all voids left in the excavation after the pipe has been installed shall be filled with compacted excavated material or granular material.

Where the Contractor has augured under an existing or future sidewalk he shall carefully plug all voids around the pipe at the end of the augured section closest to the street with concrete mortar. The remainder of the augured section may be filled with excavated material.

11.4 Backfilling in Winter Conditions

The Contractor shall remove from the site of the work any backfill material that is frozen or unacceptable to the Engineer and shall dispose of it as directed by the Engineer. The Contractor shall, at his expense, supply imported unfrozen granular material to complete the backfilling.

08025-12 CONNECTION CUT OFFS

When a water connection is no longer required or is serving a building which is being demolished, it shall be cut off. The owner of the property served by the connection is responsible for retaining a Licensed Water and Sewer Contractor to perform the cut off. The Contractor shall perform the cut off in compliance with the following:

12.1 Domestic Water Connection (50 mm or less):

1. Remove the main stop.
2. Remove all loose material from pipe and finish to a smooth surface.
3. Install a stainless steel repair sleeve (minimum of 300 mm in length) as per manufactures specifications.
4. Removed the top section of the curb box and spindle at a depth of 1000 mm below existing ground.

**12.2 Commercial, Industrial and Multi-unit Water Connection
(Up to 50 mm)**

Where a connection has been made with more than one main stop (e.g. a 50 mm water service connection to the water main using 4 - 25 mm main stops), the following shall apply:

1. Remove the section of pipe from the main including all the main stops to be cut-off.
2. Replace section of water main with approved PVC pipe.

3. Use PVC couplings, where practical, to connect the PVC pipe to the existing pipe.
4. Excavate and remove a portion of each curb box top by cutting the curb boxes and spindles at a depth of 1000 mm below existing ground.

12.3 Commercial, Industrial and Multi-unit Water Connections **(100 mm or greater)**

1. Remove the tee or tapping sleeve, the valve, valve box, valve spindle and section of main to be removed. In the case of a three way valve connection, remove two or three valves at the Engineer's discretion.
2. Replace section of water main with approved PVC pipe.
3. Use PVC couplings, where practical, to connect the PVC pipe to the existing pipe.

12.4 Reuse of an Existing Main Stop

1. The reuse of an existing mainstop is not permitted.
2. Where a main stop has been removed and a stainless steel repair sleeve installed, the stainless steel sleeve may be replaced with a repair sleeve complete with a tapping provided that the tapping will be at the correct angle for the new connection material.
3. Where the Contractor chooses to remove an existing repair sleeve and it is found that the sleeve was used in a repair, the Contractor shall install a new repair sleeve and a new tapping shall be made a minimum of 1.0 m from the repair sleeve.

12.5 Sanitary Sewer

Sanitary sewer connections shall be cut-off at the main at the existing saddle location using the following methods:

PVC main - the existing saddle shall be plugged with a PVC plug

Clay Tile main - the existing saddle shall be removed and either replaced with a PVC saddle complete with stainless steel straps, and plugged with a PVC plug; or replaced with a stainless steel repair sleeve. In both cases, the rubber gasket shall form a seal around the opening of the main. The Engineer may approve the use of a PVC plug inserted into the saddle and covered with concrete, where the removal of the saddle may damage the main.

Clay Tile main - the existing in line wye shall be plugged with a PVC plug and concreted.

08025-13 **RESTORATION AND CLEANUP**

The Contractor shall remove all construction planks, equipment, appliances, barricades and surplus materials and shall remove excavated material from natural drainage courses, sidewalks, crossings and do such other work as may be necessary to leave the work on any premises occupied by him in a neat, workmanlike condition. This work shall be done with a minimum of inconvenience to the public. All clean up costs shall be borne by the Contractor.

The Contractor shall restore or replace all sidewalks, curbing, gutters, shrubbery, turf, fences, irrigation systems, poles and/or other property and surface structures damaged or removed during the work to a condition meeting current specifications, furnishing all labour and materials incidental thereto.

All excavated material that is not to be used as backfill shall be hauled from the site to a location designated by the Engineer.

Where the Excavation or excavations are on an earth street the Contractor shall level the roadway portion as near as possible to the condition it was originally found as determined by the Engineer.

Where appurtenances such as valves and manholes exist, the road grades shall be brought level with the tops of these structures to avoid them being buried or left protruding from the roadway.

END OF SPECIFICATION 08025

INDEX

08030-1	SCOPE	3
	1.1 Existing Infrastructure – Requirements and Fees	3
08030-2	EXISTING UTILITIES AND STRUCTURES	4
08030-3	EXCAVATION	5
	3.1 General	5
	3.2 Trenching	5
	3.3 Trench Width	6
	3.4 Rock Excavation	6
	3.5 Unstable Subgrade	7
08030-4	TEMPORARY PROTECTIVE STRUCTURES	8
08030-5	PREPARATION OF TRENCH BOTTOM	9
08030-6	PIPE BEDDING	9
	6.1 General	9
	6.2 Class B Bedding	9
08030-7	PIPE LAYING AND JOINTING	9
	7.1 General	9
	7.2 Alignment and Grade	10
	7.3 Polyvinyl Chloride (PVC) Pipe	10
	7.4 Polyethylene Pipe	11

08030-8	REACTION BLOCKING	11
08030-9	VALVES	12
08030-10	HYDRANTS	12
08030-11	CATHODIC PROTECTION	13
08030-12	BACKFILL	14
	12.1 Initial Backfill in Pipe Zone	14
	12.2 Backfill Above Pipe Zone	14
	12.3 Street Surfaces	15
08030-13	FIELD PRESSURE TESTING	17
08030-14	CHLORINATION	18
08030-15	BACTERIA AND TURBIDITY TESTING	19
08030-16	CLEAN UP	19

08030-1 **SCOPE**

The General Conditions, Specific Conditions and Material Specifications form an integral part of these Specifications and shall be read in conjunction herewith.

This Section shall include Water Connections Construction not regulated by Section 08025 wherein water service connections are greater than 50mm in diameter.

The Contractor shall supply all material, labour, equipment, plant and tools necessary to construct the water mains complete with hydrants, valves and fittings within and/or under the jurisdiction of the City of Saskatoon as required under this Contract.

1.1 **Existing Infrastructure - Requirements and Fees**

Certain fees for inspection, tapping mains, pavement and concrete repair, detouring services and public liability insurance shall be charged by the City to the Contractor on completion of the work.

The contractor shall obtain the conditions of work and fee rates by contacting the Water & Sewer Connections Desk at 975-2461 before estimating or commencing any particular project. The Water & Sewer Connections Desk will outline the requirements and fees so that the Contractor shall know in advance and the safety of the water and sewer system remains intact.

Before any work within the City Right-of-Way is performed, the Contractor shall have an approved permit "Use of Right-of-Way Permit". This permit shall be obtained by contacting the Transportation Right of Way Group at 975-2460. There may be restrictions on times and dates that portions of Right-of-Way may be available and this will be outlined in the Use of Right-of-Way permit.

08030-2 EXISTING UTILITIES AND STRUCTURES

The location and elevation of existing underground utilities is compiled from records but is not guaranteed. Notwithstanding any other provision, the Contractor shall be responsible for determining at his expense the actual location and elevation of all sewer, water and gas lines, power, telephone or telecommunications conduits, or other such structures or utilities whether or not shown on the plans. The Contractor shall be responsible for notifying the respective utility at least 48 hours in advance of his intention to carry out operations in the vicinity of the said utility and if required shall pay for any services supplied for locating these utilities.

When in the course of the work, existing utilities must, for reasonable cause, be temporarily disconnected, the Contractor shall be wholly responsible for notifying all persons affected, at least 48 hours in advance of the outage. The Contractor shall contact the utility owner who may disconnect the utility himself or supervise the Contractor during disconnection. In no case shall the Contractor operate any utility without the approval of the owner.

When a utility is exposed during construction, the Contractor shall immediately inform the owner of the utility, who may inspect the utility prior to backfilling.

Any accidental damage such as severing a cable, scraping the coating on an underground pipe or rupturing the pipe must be reported immediately through the appropriate emergency number.

Where existing utilities or other street improvements are found to be within the lines of the work the Engineer shall be notified. The Contractor shall then proceed as directed by the Engineer or the respective utility corporation.

All costs incurred for the disruption of service and for the repair of surface and/or underground utilities damaged by the Contractor's operation shall be the Contractor's responsibility.

Existing sidewalks and curbs, mains, service connections, catch basin leads and structures removed or damaged by the Contractor shall be repaired or replaced by the Contractor at his own expense.

Maintenance of existing utilities and structures which were disturbed or repaired by the Contractor, shall be the responsibility of the Contractor for the duration of the maintenance period.

08030-3 EXCAVATION

3.1 General

Excavation shall be taken to mean the removal from the trench of all material of whatever kind encountered, for the construction therein of all water mains and appurtenances. All excavations shall be made to the lines and grades as shown on the plans or as established in the field by the Engineer.

3.2 Trenching

The trench shall be excavated only so far in advance of pipe laying as permitted by the Engineer. The walls of the trench shall be sloped or shored up to prevent caving, in accordance with the requirements of the Occupational Health and Safety Regulations. All water encountered in the trench shall be pumped out before saturation of the pipe bedding material occurs. The discharge from the trench dewatering pumps shall be conducted away from the site of the work and into natural drainage channels, drains or storm sewers.

The trench shall be excavated so as to provide a uniform and continuous support for the pipe and fittings on solid undisturbed ground. Any over-excavation by the Contractor below the required grade shall be backfilled at his expense with compacted bedding material.

The earth taken from the trench shall be neatly deposited at the sides, in such manner as to obstruct the street or lane as little as possible. Where it is impracticable in the opinion of the Engineer to place the earth at the side of the trench, it shall be removed and deposited as designated by the Engineer.

The Contractor shall repair all walls, crib work, culverts, drains, ditches and embankments which it may be necessary to remove or to pass through in laying the pipes.

The Contractor shall provide for all surface water courses and drainage systems interrupted during the progress of the work, and replace them in as good condition as originally encountered.

The Contractor shall remove all pavement from the surface of any area to be excavated prior to starting the excavation.

The edges of the areas to be removed shall be precut in straight lines for the full depth of the pavement.

The Contractor shall then remove the pavement and transport it to the storage site designated by the Engineer.

3.3 Trench Width

The minimum trench width below the crown of the pipe shall be whichever is greater between the outside diameter of the pipe plus 450 mm, or 1.25 multiplied by the outside diameter plus 300mm.

The maximum trench width below the crown of the pipe, for pipes with a nominal diameter of 300 mm or less, shall be 1050 mm.

3.4 Rock Excavation

Rock excavation is defined as boulders, pieces of concrete, or masonry equal to or exceeding 1 cubic metre in volume.

The Contractor shall, use methods other than explosives such as drilling and wedging to split very large boulders prior to removing them from the trench.

Where the excavation is made in rock or in another material which cannot provide an even, uniform surface, all of the projections of such material shall be removed to provide a clear space around the pipe and fittings. The minimum dimension for this clear space shall be 150 mm for pipe having an outside diameter less than or equal to 600 mm and 225 mm for pipe having an outside diameter greater than 600 mm.

The subgrade shall then be made by backfilling with bedding material compacted in 150 mm layers to provide a uniform and continuous support for the pipe.

3.5 Unstable Subgrade

Where, in the opinion of the Engineer, the bottom of the trench at the subgrade below the pipe bedding is found to be unstable or to contain organic or other deleterious material which would not provide a sound foundation for the pipe, the Contractor shall remove such materials to the width and depth ordered by the Engineer and shall replace it with crushed rock, compacted in 150 mm layers. Prior to placing the crushed rock, geotextile fabric shall be installed flat on the trench bottom. The fabric shall extend up the trench walls to accommodate a minimum seam overlap of 900mm or equivalent to the trench width. The top surface of the crushed rock shall be covered with geotextile fabric before any pipe bedding aggregate is placed.

Where, in the opinion of the Engineer, additional support is required for the pipe, the Contractor shall supply all materials and shall construct such additional support in accordance with the plans and specifications which will be provided to him by the Engineer.

08030-4 **TEMPORARY PROTECTIVE STRUCTURES**

The Contractor shall protect excavations, trenches, shafts and tunnels from cave-ins, collapse, sliding or rolling materials by cutting back the walls and/or supplying and installing Temporary Protective Structures as required by the Occupational Health and Safety Regulations and as may be necessary to protect adjacent property and the work.

The Contractor shall install Temporary Protective Structures to prevent movement in the sides of the excavations. All material required, as well as the labour required for the installation, shall be furnished by the Contractor as part of this Contract.

The Contractor shall ensure that, where required by the Occupational Health and Safety Regulations, a professional engineer certifies that the Temporary Protective Structure, if constructed as drawn, and installed and used as instructed, will provide adequate protection to any worker constructing, installing or using the Temporary Protective Structure. The Contractor shall, prior to commencing construction, provide the Engineer with a copy of this certification for each Temporary Protective Structure which will be used on the project.

The right of the Engineer to order sheeting, bracing, underpinning or any other form of brace or support shall not be construed as creating any obligation on his part to issue such orders and his failure to exercise his right to do so shall not relieve the Contractor from his responsibility for damages to persons or property arising from or upon the work of construction occasioned by negligence or otherwise growing out of a failure on the part of the Contractor to leave in place in the trench sufficient sheeting and bracing to prevent any caving or moving of the ground adjacent to the sides of the trench, or for failure to construct and maintain proper support of all kinds whatsoever in the first instance.

Sheeting and bracing ordered left in place must be cut off and removed for a depth of 900 mm below the established street grade or the existing surface of the street, whichever is lower.

08030-5 PREPARATION OF TRENCH BOTTOM

The Contractor shall remove any water which has accumulated in the excavation by pumping before any bedding is placed. The previously installed pipe shall not be used to drain the trench. Loose material shall be removed from the surface and the subgrade shall be thoroughly compacted.

08030-6 PIPE BEDDING

6.1 General

The type of bedding to be used with each size and class of pipe shall be as shown on the Tender Form and in the Specific Conditions. The following various classes of bedding are detailed on the current City of Saskatoon Standard Drawing as posted on the City's Internet web site.

6.2 Class B Bedding

The pipe shall be bedded on a layer of approved fine granular material as defined in Section 08000-7.1 shaped to fit the lowest part of the pipe exterior. The required minimum depth of the granular material under the pipe shall be as outlined on the current City of Saskatoon Standard Drawing as posted on the City's Internet web site for various pipe diameters and shall extend up the sides of the pipe to a height equal to one-half (1/2) of the outside diameter of the pipe. Care shall be taken to completely fill all voids under the pipe. The bedding material shall be placed in 150 mm layers and shall be compacted to 98% of Standard Proctor Density using mechanical compaction equipment.

08030-7 PIPE LAYING AND JOINTING

7.1 General

The pipe shall be protected against impact shocks and free fall during handling and shall be kept clean at all times. All pipe to be used for water main distribution shall be sealed before leaving the production plant and shall remain sealed throughout transportation and storage onsite until installed.

Each pipe shall be carefully inspected prior to being lowered into the trench and those not meeting specifications shall be rejected and shall be removed from the site of the work. The individual lengths of pipe shall be installed so that the spigot end can be inserted into the bell of the previously installed pipe. The Contractor shall excavate the trench deeper at the location of each joint to facilitate making the joint and so that the pipe will not rest on the bell when it is installed. Each pipe shall be installed so that the bedding material will support it evenly throughout its entire length. The interior of the pipe and the bell must be cleared of all foreign material before the joint is made.

The Contractor shall supply a watertight cap or plug which shall be installed on the end of the pipe while excavation is in progress and when the Contractor leaves the site of the work.

7.2 **Alignment and Grade**

Water mains shall be installed according to the lines and grades shown on the plans or as staked in the field by the Engineer. The Contractor shall transfer the line and grade to the water main by means of an approved batter board and boning rod system, laser beam system, or other system approved by the Engineer.

7.3 **Polyvinyl Chloride (PVC) Pipe**

Polyvinyl Chloride (PVC) shall be installed as per AWWA C605 unless specified otherwise.

PVC pipe shall be jointed as follows. The bell, spigot and rubber gasket shall be cleaned with a clean cloth, removing all traces of dirt, grit or plastic cuttings. A thin film (**equivalent to a brushed coating**) of an edible, vegetable based lubricant manufactured for this purpose shall be applied uniformly to the **bell and spigot areas as indicated by the pipe**

manufacturer's published recommendations. With the assistance of a lever pressing on a wooden cushion block which has been placed against the bell end of the pipe, a uniform force shall be applied until the pipe has been inserted to the reference mark.

The Contractor shall use a fine tooth hand saw or a power cut-off saw to cut the pipe where this is required. The ends shall be cut square and shall be bevelled at 15 degrees through one-half of the wall thickness using a grinding disc or a flat file. The jointing reference mark shall be re-established using a factory marked pipe of the same size as a guide.

7.4 **Polyethylene Pipe**

Polyethylene pipe which is being used for main construction shall be joined by butt fusing the ends of the pipes. The Contractor shall use the specially designed joining machines complete with alignment jigs, trimmers and heating plate which can be obtained from the pipe manufacturer. The Contractor shall provide personnel who have been trained to perform this procedure and shall ensure that the joints are made in accordance with the manufacturer's specifications.

Connections to valves and fittings shall be bolted and shall be made using flange assembly consisting of a polyethylene stub-end which must be butt-fused to the end of the pipe and a special metal slip-on flange.

08030-8 REACTION BLOCKING

Reaction blocking shall be constructed at all hydrants, tees, bends, reducers, caps and plugs. Detailed methods of anchoring and blocking the fittings are shown on the current City of Saskatoon Standard Drawing as posted on the City's Internet web site.

Concrete shall have a minimum strength of 20 MPa at 28 days. Blocking shall be placed between solid ground and the fittings to be anchored. The area of bearing on the ground in each instance shall be as shown on the current City of Saskatoon

Standard Drawing as posted on the City's Internet web site. The blocking shall be so placed that the pipe and fitting joints will be accessible for repair. 6 Mil polyethylene sheeting shall be placed between the reaction blocking and the pipe or fittings.

Where metal harness tie rods or clamps form an integral part of the reaction blocking they shall be galvanized or rust proofed by methods approved by the Engineer.

In scenarios where primary water mains (pipe diameter >400mm) are designed with pipe restraints, reaction blocking is not required unless specified.

08030-9 **VALVES**

Valves shall be set accurately at the positions shown on the plans and properly jointed into the main. A guide plate shall be installed below the valve operating nut. The valve bonnet shall be set plumb over the guide plate. The valve box shall be set plumb over the valve bonnet. The bottom nut of the extension rod shall be securely fitted on the valve operating nut. On paved streets, the top of the valve box on main and hydrant valves shall be set flush with the finished paved surface. On gravelled streets and lanes, the top of the valve box on main and hydrant valves shall be set 150 mm below the finished gravelled surface. The two bolts in the top section shall be tightened, and a locking ring shall be clamped to the middle section of the valve box to support the top section. The top of the extension rod shall not be more than 600 mm or less than 300 mm below the top of the valve box.

The Contractor shall mark the location of each valve with a 38 mm x 89 mm x 750 mm stake with letters M.V. painted in red on a white background.

08030-10 **HYDRANTS**

The Contractor shall install hydrants at the locations as shown on the plans or as directed by the Engineer.

All hydrants shall be installed in accordance with the current City of Saskatoon Standard Drawing as posted on the City's Internet web site.

The hydrant shall stand plumb. The hose nozzles shall be parallel with the curb and the pumper nozzle shall face the street.

The hydrant shall be set so that the ground flange is at an elevation of 100mm +/- 50 mm above finished grade.

08030-11 **CATHODIC PROTECTION**

The Contractor shall supply and install sacrificial zinc anodes to provide cathodic protection for all valves, hydrants and cast iron fittings installed under this Contract.

The Contractor shall connect a 24 lb. anode to each hydrant and each valve. Where the anode is connected to a valve, the anode wire shall also be connected to the valve box.

The Contractor shall connect a 12 lb. anode to each cast iron fitting, each **bolted sleeve-type** coupling and to each copper water service line where the existing service lines are being reconnected into the new water main.

The Contractor shall install the anodes one metre away from the fitting/valve at water main depth and shall connect the anode wire to the cast iron using the "Cadweld" method. The Contractor shall provide experienced personnel who shall make these connections in accordance with the manufacturer's recommendations.

Following welding, the Contractor shall remove all slag from the weld, file off all sharp edges and coat all exposed cast iron surfaces, steel surfaces and "Cadweld" locations with **corrosion prevention paste and tape**.

When the installation is complete, the Contractor shall pour 10 litres of water over the anode and backfill uniformly around the anode.

08030-12 **BACKFILL**

12.1 **Initial Backfill in Pipe Zone**

The Contractor shall hand place select excavated material which is free from lumps and stones in 150 mm lifts above the granular bedding on both sides of the pipe and to a point 300 mm above the crown of the pipe over the full width of the trench. The Contractor shall compact each lift to 98% of Standard Proctor Density using mechanical compaction equipment.

12.2 **Backfill Above Pipe Zone**

12.2.1 **Class I Backfill**

Approved granular material with a maximum aggregate size of 75 mm, shall be placed in 300 mm lifts over the whole width of the trench. Each lift shall be compacted to 98% of Standard Proctor Density, using mechanical compaction equipment.

12.2.2 **Class II Backfill**

Approved excavated material shall be placed in 300 mm lifts over the whole width of the trench. Each lift shall be compacted to 98% of Standard Proctor Density, using mechanical compaction equipment.

This backfill may contain coarse materials but shall be free from brush, frozen or other objectionable material that would prevent proper consolidation or that might cause subsequent settlement.

Rocks or stones not exceeding 10 kilograms in weight may be placed in this portion of the backfill but must be placed by hand.

The Contractor shall be responsible for controlling the moisture content of the backfill material so that the moisture content will be

close to the optimum percentage for compaction. The Contractor shall add water to the material if the moisture content is too low or if the moisture content is too high, the Contractor shall move the material to an approved stockpile area, dry the material and then move the material back to the site of the work.

12.2.3 Class III Backfill

Class III backfill shall consist of approved excavated material free from brush and rocks or stones over 10 kilograms and other objectionable material. Backfill material shall be pushed down a ramp or slope of existing backfill and not directly onto the newly bedded pipe.

The backfill material shall be placed in 750 mm lifts over the whole width of the trench. Each lift shall be compacted to a density which is equal to the density of the adjacent soil.

12.2.4 Backfill Around Valves & Hydrants

The Contractor shall carefully select, place and compact backfill material in 150 mm lifts for a distance of 600 mm around each valve and hydrant. The contractor shall compact each lift to a minimum of 98% of the Standard Proctor Density.

12.3 Street Surfaces

12.3.1 General

The Contractor shall use a rubber tired motor grader to spread surface granular materials during compaction and to level earth streets after the backfilling has been completed.

The Contractor shall be responsible for filling trench settlements

and repairing street surfaces which settle along the lines of his work during the maintenance period.

12.3.2 Paved Streets

Where excavation has been carried out on a paved street or on a street which has been based and is ready for pavement, the Contractor shall backfill the excavation up to 300 mm below the level of the original street surface. The Contractor shall then place 300 mm of base gravel to the gradation as specified in Section 08000-7.2 flush with the original street surface and shall compact it to 100% of Standard Proctor Density. Prices tendered for laying pipe, shall include the supply and placing of this gravel unless specified otherwise.

12.3.3 Gravel Streets

Where the excavation has been carried out on a gravel street, the Contractor shall backfill the excavation up to 100 mm below the level of the original street surface.

The Contractor shall then place 100 mm of base gravel to the gradation as specified in Section 08000-7.2 flush with the original street surface and shall compact it to 100% of Standard Proctor Density. Prices tendered for laying pipe, shall include the supply and placing of this gravel unless specified otherwise.

12.3.4 Earth Streets

Where excavation has been carried out on a graded earth street, the Contractor shall backfill the excavation up to the level of the original street surface.

Where the surface of the street has not previously been cut to grade,

the Contractor shall spread and level any surplus excavated material over the top of the excavation.

12.3.5 Surplus Excavated Material

Where excavation has been carried out on a paved street, gravelled street or graded earth street all of the excavated material may not be required for backfilling. The Contractor shall load and haul this surplus excavated material to the nearest earth dumping site or to the location as specified in the Specific Conditions. The costs of disposing of this material shall be included in the Contractor's unit prices for constructing water main.

08030-13 FIELD PRESSURE TESTING

Hydrostatic pressure testing of PVC water mains up to 350mm in diameter shall conform to AWWA C605 unless specified otherwise.

All **C900 CL150 PVC** water mains installed under this Contract shall be subject to a hydrostatic pressure test in the presence of the Engineer after backfilling has been completed and the mains have been flushed with potable water prior to chlorination.

The Contractor shall furnish all labour and equipment necessary to make the tests including the costs of tapping the pipe if required. Water for the test shall be supplied to the Contractor without charge.

The Contractor shall subject each section of water main to a test pressure of 1034 kPa for a period of **2 hours**. Additional water shall be added from a measured container as required to maintain this pressure during the test.

The test section will not be accepted if the leakage in litres measured by the above method exceeds the quantity determined by the following formula:

$$L_{PVC} = \frac{NxDx(P)^{0.5}}{130,400}$$

L PVC	=	Allowable leakage in litres per hour.
N	=	Number of joints in the test section (Including all associated appurtenances).
D	=	Nominal diameter of the pipe in millimetres.
P	=	Average Test Pressure in kilo pascals (kPa).

Note: **Hydrostatic pressure testing procedures** for pipe types other than **C900 CL150 PVC**, shall be done in accordance with current AWWA **and ASTM** standards, **the pipe manufacturer's published recommendations and at the Engineer's discretion.**

If the leakage exceeds the allowable, the Contractor shall locate and repair leaks and defects and repeat the tests until the leakage does not exceed the allowable.

08030-14 CHLORINATION

The method to disinfect the water mains shall consist of liquid chlorine injection, conforming to AWWA C651 including Section 4.3.9 Backflow Protection, and result in a minimum chlorine residual of 50ppm after initial loading, a minimum chlorine residual **no less than 50% of the initial chlorine residual** after twenty-four hours, and a chlorine residual of 1.3ppm to 1.9ppm after flushing and bacteria tests that meet City of Saskatoon standards.

Saskatchewan Environment requires that the pipes be flushed prior to chlorination. The chlorinated water must be disposed of in an environmentally safe manner, and in most circumstances this will mean the nearest sanitary sewer system.

Two consecutive sets of three samples along with turbidity and total chlorine residual for each sample will be required. Sampling will continue until two consecutive sets of all samples meet the regulatory requirements for total chlorine residual and turbidity and provide negative bacteriological results. The Contractor shall continue disinfection and flushing until these objectives are met.

The activation of the valve connecting the system or long lead to the City water main will not occur until these objectives are met.

Short connections and stubs (less than 40-60 feet) may only be chlorinated with granular H.T.H. disinfection powder when approved on a case by case basis by the Engineer, and flushed to the sanitary sewer system. The use of Chlorine Pool Pucks is never acceptable for any disinfection.

All of the Contractor's work to energize, disinfect and flush the water mains shall be carried out under the supervision of the Engineer. The Engineer shall approve the activities of the Contractor during the work required to energize, disinfect and flush the water mains. The Contractor shall not operate any valves of the existing City system unless the Engineer is present and has given his approval to do so.

08030-15 BACTERIA AND TURBIDITY TESTING

The Contractor shall provide all labour and materials necessary to flush lines until the turbidity and bacteria test levels meet or exceed the levels set out by the City.

The City shall supply and perform bacteria and turbidity testing.

08030-16 CLEAN UP

The Contractor shall clean up the site as the work progresses.

The Contractor shall remove all of his equipment, plant, tools and surplus material from the site of the finished work and shall repair and restore all drainage facilities which have been blocked or damaged as a result of the Contractor's operations.

END OF SPECIFICATION 08030

INDEX

	<u>Page</u>
08040-1 DESCRIPTION OF WORK	2
08040-2 MATERIALS	2
08040-3 CULVERT INSTALLATION	2
08040-4 BEDDING	2
08040-5 CULVERT INLET AND OUTLET TREATMENT	3
08040-6 MEASUREMENT	3
08040-7 PAYMENT	3

08040-1 DESCRIPTION OF WORK

This Specification covers the installation of corrugated steel, corrugated poly, reinforced concrete and PVC pipe culverts and riprap. The Contractor shall supply all labour, tools, equipment and materials for the construction of culverts through roadways and embankments, unless otherwise noted.

08040-2 MATERIALS

The Contractor shall supply all culvert and storm sewer materials of the type and class approved by the City.

08040-3 CULVERT INSTALLATION

The Contractor shall install culverts at locations noted on drawings and to the elevations staked by the Engineer. Culverts shall be placed in a trench and the bottom of trench shall be shaped to uniformly support the lower quadrant of the culvert pipe. Unsuitable foundation material shall be removed to the depth, width, and length authorized by the Engineer and replaced with suitable material.

08040-4 BEDDING

All culverts installed under this Contract shall be laid on Class "B" granular bedding as shown on current City of Saskatoon Standard Drawings as posted on the City's Internet web site. Mechanical or pneumatic compaction equipment shall be used to compact bedding material around and up to the spring line of the pipe and for compacting the select backfill to 300 millimetres above the pipe. All bedding and backfill shall be compacted to 98% of Standard Proctor Density.

08040-5 CULVERT INLET AND OUTLET TREATMENT

Culvert inlet and outlet shall be constructed as per the Engineer's specifications. Riprap shall consist of durable field or quarry stone, hard, dense, resistant to weathering and to water action.

The riprap stones shall be 150 mm to 300 mm in diameter with stone sizes evenly distributed. The area to be riprapped shall be excavated and trimmed and 50 mm pipe bedding aggregate installed prior to placing the stones.

08040-6 MEASUREMENT

Culverts will be measured in metres. Measurements will be taken parallel to the barrel for the entire length of the culvert.

Riprap will be measured in place, in cubic metres.

08040-7 PAYMENT

Payment for installing corrugated steel, corrugated poly, reinforced concrete, and PVC pipe culverts or storm sewers will be at the contract unit price per metre for the sizes specified in the Tender Form. The unit prices will be full compensation for supplying, unloading, storing, handling and hauling culvert materials, placing Class "B: bedding, excavating, assembling the culvert, backfilling and compacting the backfill material. Payment for riprap will be at the contract unit price per cubic metre. The unit price will be full compensation for excavating and preparing the bed, placing the 50 mm granular bedding, supplying, loading, hauling, unloading, and placing the stones.

Payment for removing unsuitable subgrade material, if directed by the Engineer will be paid for at the Contract Unit Price for unstable subgrade. Unstable subgrade excavated from the bottom of the trench will be measured in cubic metres calculated from the length, width and depth authorized for removal. The unit price shall include excavating and disposing of surplus material and backfilling with stabilized material.

Granular materials salvaged from existing roadways may be used as granular bedding and backfill material when installing culverts. The Contractor will be responsible for handling and transporting the material from the stockpile site to the trench area. The cost of handling granular backfill shall be included in the contract unit price for installing culverts.

END OF SPECIFICATION 08040

INDEX

	<u>Page</u>
08045-1 DESCRIPTION	2
1.1 Scope of Contractor's Work	2
1.2 Scope of City of Saskatoon's Work	3
08045-2 STAINLESS STEEL STRAPPING	3

08045-1 **DESCRIPTION**

1.1 Scope of Contractor's Work

Work under this Contract shall include:

- a) Repairs to manhole rungs where necessary to access the storm sewer. This will include welding vertical strips of angle iron onto damaged rungs for reinforcement and welding in new steps where required.

Angle iron to be supplied and delivered by the Contractor.

- b) Supply and installation of hooks for stringing lighting and cable along the crown of the pipe.
- c) Remove damaged liner and use pop rivets to tack down loose liner. Pop rivets to be supplied by the City of Saskatoon.
- d) Installation of 10 gauge stainless steel straps using pop rivets to secure damaged ends. Pop rivets and stainless steel strapping to be supplied by the City of Saskatoon.

1.2 Scope of City of Saskatoon's Work

The City of Saskatoon will supply all labour and equipment for the ventilation, pumping and lighting. The City will also supply the labourers to assist the Contractor in the removal and tacking down of liner and installation of strapping.

08045-2 STAINLESS STEEL STRAPPING

Ten gauge 316 2B stainless steel strapping will be used to tack down loose ends where the liner has been removed or damaged. It will be installed on the inside circumference using pop rivets. Straps will be riveted to two corrugations. The length of the straps are 1/3 the circumference and are machine rolled to a radius of 28 inches.

END OF SPECIFICATION 08045

INDEX

08125-1	GENERAL	2
08125-2	SEWER INSPECTION	2
08125-3	EQUIPMENT	3
08125-4	EXECUTION	5
08125-5	QUALITY CONTROL	9
08125-6	FLOW CONTROL	10
08125-7	CONTAMINATION	11
08125-8	WATER SUPPLY	12
08125-9	MEASUREMENT AND PAYMENT	12

08125-1 GENERAL

1.1 Description of Work

The work under this section includes, but is not limited to, the supply of all superintendence, labour, material, equipment and tools required to:

- clean all sewers as outlined in these specifications,
AND EITHER
- a) Inspect sewers using CCTV live video and code defects to NASSCO PACP standards by a NASSCO PACP qualified operator,
OR
- b) Inspect sewers using a digital scanning device and provide scans of sewers and code defects to NASSCO PACP standards by a NASSCO PACP qualified operator.

08125-2 SEWER INSPECTION

2.1 General

Two different levels of inspection will be accepted.

- Inspection via a pan and tilt type camera capable of panning 360° and tilting 270°. These inspections require NASSCO PACP defect coding to be completed by the contractor during the inspection.
- Inspection via a digital scanning device. These inspections require NASSCO PACP defect coding to be completed by the contractor during or after the inspection.

Inspection units, of either type, shall have a minimum of one operator on site at all times who has successfully attained NASSCO PACP certification. The operator shall be fully trained in all aspects of sewer inspection and shall be capable of making accurate observations and recording of all conditions, which may be encountered in the sewers.

2.2 Pan and Tilt Camera Inspections

Sewer inspections shall be performed to observe and record structural and service defects, construction defects and construction features and to assess thoroughness of cleaning. All observations shall be coded in accordance with NASSCO PACP 6 or above and the findings shall be included in an inspection report submitted on flash or portable hard drive. Operators who have successfully attained NASSCO PACP certification only shall perform the inspections and defect coding.

2.3 Digital Scanning Device Inspections

Sewer inspections shall be performed so that structural and service defects, construction defects and construction features can be observed and post inspection by the City. Surveys shall be coded by the contractor in accordance with NASSCO PACP 6 or above and be included in an inspection report submitted on flash or portable hard drive. Operators who have successfully attained NASSCO PACP certification only shall perform the inspections and defect coding.

08125-3 EQUIPMENT

3.1 General

The inspection unit shall consist of a self-contained vehicle with separate areas for viewing and equipment storage. Each inspection unit shall be equipped with fans and blowers to remove any fog which may be present in the sewer at the time of the inspection. Each unit shall have a suitable communication system for its crew members.

Inspection equipment shall consist of cameras, lighting, cables, power source, monitor, digital media recording and storage and other related equipment. The camera shall be pan and tilt type capable of panning 360° and tilting 270°, or a digital scanning device. The adjustment of focus and iris shall allow optimum picture quality and the focal range shall be adjustable from 100 mm to infinity.

3.2 Lighting

The light source shall be adjustable to allow an even distribution of light around the sewer perimeter without loss of contrast, flare out of picture, or shadowing. Video overlay equipment shall be capable of superimposing alpha-numeric information onto the video and shall be capable of providing a minimum of 15 lines of information, 30 characters per line.

3.3 Video Format

All videos shall be recorded in MPEG2 format and be delivered on flash or portable hard drive media. Videos in DVD format from a proprietary DVD recorder are not acceptable. Flash drives and/or portable hard drives submitted by the Contractor to the Engineer will not be returned to the Contractor.

3.4 Camera Transport

The camera shall be transported through the sewer by means of a rubber tires or crawler tractor. The transport unit must be capable of passing over minor surface imperfections including, but not limited to, broken joints and solid debris up to 40mm in height. Mounting of the camera on a float or skid for tow through the sewer shall only be permitted where the condition of the sewer precludes the use of a tractor and where authorized by the Project Engineer. If the camera is towed the supporting equipment shall not impede the view of the camera and shall be stable to ensure steady and smooth progress.

The camera transport shall permit complete inspection of the sewer from the center of the start manhole to the center of the finish manhole. The transport and cable shall be capable of inspecting a minimum of 200 metres of sewer from a single access point. A remote reading counter shall be used to measure distance traveled from the center of the start manhole and measurements shall be recorded in metres to the nearest 100mm.

The camera height shall be adjustable so as to position the center of the lens in the center of the sewer.

08125-4 EXECUTION

4.1 General

All fog shall be evacuated from the sewer. The camera lens shall be kept clean at all times and the sewer shall be kept clear of fog during the entire inspection.

All inspections shall be performed in the direction of flow unless a reverse set up is required. Inspections shall generally begin with the upstream sewer in the system and proceed downstream in a consecutive manner.

The face of the start manhole shall be clearly visible at the start of the inspection and the inspection shall be performed from the centre of the start manhole to the centre of the finish manhole.

During the inspection automatic distance measurement shall be indicated on the screen and begin to move immediately as the camera moves.

4.2 Cleaning

Cleaning shall be performed by the Contractor to permit inspection from the upstream manhole to the downstream manhole. Calcium deposits shall be cut back so that a camera can pass through but do not need to be completely removed. Complete removal of all debris is not necessary but if the survey is terminated due to debris a reverse inspection must be attempted.

Caution must be exercised to ensure that the water pressure or cleaning tools do not damage or weaken the existing sewer pipe nor cause flooding of property connected to the sewer. The Contractor shall be responsible for the cost of repair of any such damage or flooding.

4.3 Water Dechlorination

The Contractor shall not use chlorinated water for cleaning or flushing of storm sewer mains. The threshold for chlorinated water is 0.02mg/L. Any water, potable or otherwise, shall be dechlorinated before use in the storm sewer system. Dechlorinating should be used with AWWA approved chemicals. It is the Contractor's responsibility to dechlorinate the water used in the storm sewer system. No payment shall be made for dechlorinating water for use in the storm sewer system as it is considered subsidiary to the work.

4.4 Debris Removal

All material resulting from cleaning shall be removed at the downstream manhole of the section being cleaned. No solids shall be allowed to pass into the downstream section. All solid material collected shall be hauled by the Contractor to the Heavy Grit Facility located at the City of Saskatoon Landfill. The Contractor will be responsible for payment of tipping fees at the City of Saskatoon Landfill.

If the flusher hose is used to move the camera through the sewer, the flusher shall not be cleaning while moving the camera through the sewer.

4.5 Defect Reporting

The Contractor shall be responsible for any excavation, including subsequent backfill, compaction, and surface restoration to City Specifications, required to remove a camera or other equipment that becomes jammed in the sewer due to damages caused or fault by the Contractor.

If inspection of an entire sewer cannot be completed due to a collapse, excessive deformation, obstructions or large displaced joints, the equipment shall be moved to the upstream manhole and a reverse inspection shall be attempted. If complete inspection still cannot be performed, the Project Engineer shall be immediately advised. Jointly, the Contractor and the Project Engineer shall decide whether to abandon the inspection, re-perform the inspection following solid debris cutting or

removing intruding connections or modifying the camera setup or completion of external point repairs. There will be no payment made for work including, but not limited to, solid debris cutting, cleaning, removing debris, removing intruding connections, modifying the camera setup, completion of external point repairs, or re-inspection of the line following any of the aforementioned work.

If inspection of an entire sewer cannot be completed due to excessive calcium and debris, the equipment shall be moved to the upstream manhole and inspection again attempted. If complete inspection still cannot be performed due to excessive effort to cut calcium or remove debris the Project Engineer shall be immediately advised. Jointly, the Contractor and the Project Engineer shall decide whether to abandon the inspection with abandon evidence provided by the Contractor.

If during the inspection, the Contractor observes a flow disparity, clear water infiltration, hole, collapse, void, or deformation > 10%, they shall capture an image and immediately notify the Project Engineer. The operator must code that observation in the video. If a void is visible or suspected outside of the pipe, the Contractor shall immediately place barricades around the location and notify the Project Engineer.

4.6 Video Format

The inspections shall be recorded in colour in MPEG2 format.

At the start of each survey a video overlay system shall be used to clearly display, on the monitor and video recording, the following information:

1. Contract ID
2. Street Name
3. Start MH GIS#
4. Finish MH GIS#
5. Sewer Size (diameter)
6. Sewer ID Number (GIS #)
7. Contractor Name
8. Date & Time of inspection
9. Direction of Inspection
10. Start MH to Finish MH distance

During the inspection the following information shall be clearly displayed on the periphery of the screen, on the monitor and video recording. The information shall be arranged to minimize interference with the inspection image.

1. Automatic update of the cameras distance from the start manhole
2. Sewer GIS#

Inspection reports and corresponding videos shall be delivered weekly on flash or portable hard drive media. Flash drives or portable hard drive media will not be returned to the Contractor.

The reports must be in EXCEL format and the videos in MPEG2 format. Both shall be identified with the file naming convention of **GIS#_ (abbreviated location) _yyyymmdd.**

The inspections shall also be provided in a PACP 6.0 or above database format for direct import into the City of Saskatoon's Sewer Inspection software. (PipeLogix).

Pan and Tilt Camera

The camera speed shall not exceed 9 metres/minute.

During the inspection the picture shall be in focus from the point of observation to a minimum of two pipe diameters ahead. The camera shall be stopped for 2 seconds at major defects and connections, junctions and major branches. Major defects shall include, but not be limited to, deformed sewers, holes, large displaced joints, obstructions, and large open joints. At major defects, connections, junctions and major branches the camera shall be positioned in order to provide a perpendicular view. The intent of this procedure is to permit a more detailed inspection of specific defects or construction feature.

Digital Scanning Device

During the inspection the picture shall be in focus from the point of observation to

a minimum of two pipe diameters ahead. Final scans shall not have any missing frames or have minor missing frames accepted by the Project Engineer.

08125-5 **QUALITY CONTROL**

Prior to commencement of the first inspection, a test survey shall be provided to the City to ensure the compatibility of import into PipeLogix software.

Camera position tolerance shall be +/- 10% of the diameter of the sewer. If the camera position does not satisfy the requirements, the inspection shall be re-performed at the Contractor's expense.

Distance measurement within the sewer shall be accurate to within 0.5% of the above ground measurement between the start and finish manhole centres. If the distance measurement does not satisfy the accuracy requirements, the inspection shall be re-performed at the Contractor's expense.

5.1 **Coding Accuracy**

Coding accuracy will be evaluated for all surveys. Coding accuracy shall be a function of the number of defects or construction features not recorded (omissions) and the correctness of the coding and classification recorded. Coding accuracy shall satisfy the following requirements:

- i) header accuracy 95%
- ii) detail accuracy 85%

The Contractor shall implement a formal coding accuracy verification system at the onset of the work. Coding accuracy shall be verified by the Contractor on a random basis, on a minimum of 10% of the inspection reports. The coding accuracy checks shall be submitted along with the corresponding video.

A minimum of two accuracy verifications shall be performed for each operator for each week working. Coding not satisfying the accuracy requirements shall be returned to the Contractor for re-coding, and the accuracy of the inspection immediately preceding and following the non-compliant inspection shall be verified by the Contractor. This process shall be repeated until the preceding and subsequent inspections meet the accuracy requirements. Any operator failing to meet the accuracy requirements on two occasions shall not be permitted to code on the remainder of the project until they have successfully reattained the PACP Level of Qualification for PACP qualified operators.

Inspection reports and videos will be reviewed by the Project Engineer to ensure compliance with the specifications within ten (10) working days of submission. The frequency of review will be adjusted based on the results of the review. Non-compliant submissions will be returned for correction by the Contractor, at the Contractor's expense.

08125-6 **FLOW CONTROL**

For storm pipes, the work is expected to be performed in dry conditions.

For sanitary pipes if the flow depth is more than 25% of the pipe diameter, inspections will not be accepted unless approved by the Project Engineer.

When flow depth, after cleaning and removal of all foreign materials, is greater than 25% of pipe diameter, the Contractor shall capture an image and immediately notify the Project Engineer.

The Contractor may need to plug segments of sewer or work at off-peak hours (12:00 am – 6:00 am) in order to perform cleaning and/or inspection. No extra payment will be made for plugging the sewer as it is considered subsidiary to the work.

If flow controls are undertaken and it is determined that flow levels remain greater than 25% of pipe diameter, the Contractor shall notify the Project Engineer. Jointly, the Contractor and the Project Engineer shall decide whether to continue with the inspection, remove the location from the contract, or replace it with equivalent work.

Surface bypassing is not in the scope of the contract.

08125-7 **CONTAMINATION**

The City of Saskatoon has a separate Sanitary and Storm sewer system. However, there may be locations where the sanitary and storm system are connected, herein referred to as cross connections.

If during the inspection the Contractor observes a cross connection, they shall capture an image, record the location, and notify the Project Engineer of its existence.

In the event that basements, ditches, roadways, sidewalks, etc should become contaminated due to damages caused or fault by the Contractor, immediate action shall be taken by the Contractor to close the source of contamination. The Contractor will be required to immediately report to the Project Engineer and the Water Security Agency any spills or discharges to the environment. Proper cleanup of the affected area shall follow and no work shall commence until a re-evaluation of the complete process has been carried out by the City. There will be no extra payment made for decontamination, clean up or down time. Permanently controlling the contamination caused by a cross connections are not in the scope of this contract.

The Contractor shall ensure that no upstream flooding occurs during the cleaning or inspection. The Contractor shall allow in the bid price for monitoring of water levels in manholes and for any emergency pumping.

08125-8 WATER SUPPLY

The Contractor is responsible for providing all water required at the construction site. Water may be obtained from City fire hydrants via water meters supplied by the City. Only qualified/experienced contractors will be allowed to operate city hydrants.

In some cases, temperatures may be below the threshold where water meters can be supplied. If the City cannot supply a water meter the contractor will be permitted to use fill hydrants, at the Engineers approval. A fill hydrant map will be provided.

To operate a City fill hydrant, training will be required and provided by the City. Any damage resulting from improper operation of hydrants shall be required by the City at the Contractor's expense.

08125-9 MEASUREMENT AND PAYMENT

The unit price for "Clean, Video Inspection, and Defect Code Sewer Main" will be paid for on a per linear metre basis. The length to be paid will be the total number of lineal metres which have been inspected and have had their report submissions accepted. No payment shall be made until such acceptance is made. Measurement shall be taken from the length recorded on the submitted inspection.

Payment shall include the supply of materials, equipment, labour, supervision and all other items required to perform the inspection work as specified.

END OF SPECIFICATIONS 08125

INDEX

	<u>Page</u>
10000-1 DESCRIPTION	2
10000-2 MATERIALS	2
10000-3 EQUIPMENT	2
10000-4 PROCEDURE	2
10000-5 PAYMENT	3

10000-1 DESCRIPTION

The work shall consist of water pressure cleaning of the bearings on the Idylwyld and the Traffic Bridges.

10000-2 MATERIALS

The Contractor shall supply all materials to carry out the work.

10000-3 EQUIPMENT

All equipment used in executing any part of the work shall be maintained in efficient working order.

The Contractor shall provide all necessary equipment to carry out the work. This shall include but not be limited to a water power spray (hydro blaster) capable of delivering up to 7000 k pascals (1000 psi) spray.

The Owner shall make available a rig that was used by the Electrical Department for a power cable installation, to gain access to the Traffic Bridge piers. The Contractor shall satisfy himself that the rig will be adequate for the job. Minor modifications will be permitted subject to the approval of the Engineer. These modifications shall be on a cost plus fifteen percent (15%) basis for all the work in the modification(s). The Owner shall also supply two (2) safety harnesses.

10000-4 PROCEDURE

Spray the roller bearings and the pot bearing with water spray between 5000 k pascals (800 psi) and 7000 k pascals (1000 psi).

In the roller bearings, remove the debris to the satisfaction of the Engineer.

On the pot bearings, remove the scale to the satisfaction of the Engineer. Weather permitting (temperature) the Owner will supply paint to be applied by the Contractor with a brush to the satisfaction of the Engineer.

10000-5 PAYMENT

The lump sum price shall include all the labour, materials and equipment necessary to carry out the work. Also included in the price shall be all traffic control devices and safety equipment not supplied by the Owner.

END OF SPECIFICATION 10000

INDEX

	<u>Page</u>
10005-1 DESCRIPTION	2
10005-2 REFERENCE STANDARDS	2
10005-3 MATERIALS	2
10005-4 EQUIPMENT	3
10005-5 PROTECTION	3
10005-6 PROCEDURE	5
10005-7 QUALITY OF WORK	6

10005-1 DESCRIPTION

- 1.1 The work shall consist of locating the 2'-6" by 3'-0" access holes symmetrically between the columns.
- 1.2 The work shall consist of coring at the corners of the access holes and joining up the core holes by saw cutting completely through the concrete.
- 1.3 The work shall consist of removing the sawn out concrete and cores from the access holes and disposing of concrete as directed by the Engineer to the landfill site.
- 1.4 The work shall include the installation of manhole ladder type rungs as well as four metal access doors.

10005-2 REFERENCE STANDARDS

2.1 Concrete

CSA A-23 1-M77 concrete materials and methods of concrete construction.

10005-3 MATERIALS

- 3.1 Unless otherwise specified the Contractor shall supply all materials to carry out the work.

3.2 Manhole Ladder Rungs

Shall be supplied by the Owner.

3.3 Metal Access Doors

Included and supplied shall be the hook and "I" hinges as well as the fasteners. Locks shall be provided by the City.

Painting of the metal access doors shall be as or equal to:

Shop primer - Mobil Chromox Primer (13-R-50) - 2 mils dry film thickness

Topcoat - Mobil Val-Chem Epoxy Enamel (84 Series) - 2 mils dry film thickness

The fabricator shall follow the manufacturer's instructions regarding surface preparation, methods of priming and topcoating and equipment types.

10005-4 EQUIPMENT

The Contractor shall provide all necessary equipment to carry out the work.

All equipment used in executing any part of the work shall be maintained in efficient working orders.

10005-5 PROTECTION

The City shall provide the closure of the curb lanes (one at a time) between the hours of 9:30 a.m. to 3:30 p.m. Monday to Friday.

The Contractor shall be responsible for maintaining safe pedestrian and bicyclist traffic on the sidewalks.

Any property damaged as a result of work done under this section shall be replaced or repaired to the satisfaction of the Engineer at the Contractor's expense.

10005-6 PROCEDURE

6.1 Preparation

The Contractor shall make preparations for a continuous efficient and safe operation.

All necessary scaffolding and other safety equipment shall be in place prior to the commencement of the construction work.

Each access hole shall be marked prior to commencing coring or cutting.

The required traffic controls shall be in place as well as the required controls for the pedestrians and cyclists.

Water from the coring and cutting shall be permitted to flow into the river; however, the contractor shall install a clay type dam to decant the water.

6.2 Construction

The Contractor shall commence the construction by coring the corners of the access hole. The cores shall be preserved for the Engineer's inspection and or use. The core size must be large enough so as not to require over cutting in the sawing operations at the corners. Standard coring procedure shall be followed.

The Contractor shall cut the bottom, followed by the sides, and lastly by the top. The cut concrete shall then be removed out of the hole and broken into manageable sizes. Any reinforcing steel shall be turned over to the Engineer for his inspection or use.

The exposed reinforcing steel in the face shall be painted as per:

Primer - 1 coat of red lead oil alkyd type conforming to CGSB 1-GP-140

Finish - 2 coats of an exterior alkyd enamel conforming to CGSB 1-GP-59.

Following the construction of the access hole, the Contractor shall install the rungs as directed by the Engineer. This will involve drilling, hammering and mortaring. The steps of the rungs shall be horizontal.

Finally, the four outside access holes shall be sealed by the installation of the steel access doors. The installation shall involve measuring and drilling.

10005-7 QUALITY OF WORK

All work shall be inspected by the Engineer and shall meet with his satisfaction prior to acceptance. All costs associated with the correction of deficiencies shall be carried by the Contractor.

END OF SPECIFICATION 10005

INDEX

	<u>Page</u>	
10010-1	SCOPE OF WORK	2
10010-2	SYSTEM CONFIGURATION	2
10010-3	DESIGN AND CONSTRUCTION	3
	3.1 General Requirements	3
	3.2 Scale	4
	3.3 Ticket Printer	5
	3.4 Computer	5
	3.5 Line Printer	6
10010-4	FUNCTIONAL REQUIREMENTS	6
	4.1 Vehicle In/Out Operation	6
	4.2 Information (Data) Flow	6
	4.3 Billing Requirements	7
	4.4 Database Requirements	8
	4.5 Down Loading/Up Loading Data	8
	4.6 Security and Backup	8
	4.7 Non-Normal Operations	9
	4.8 Displays, Output Formats, Flexibility	9
10010-5	INSTALLATION REQUIREMENTS	10
	5.1 Location	10
	5.2 Scale Foundation	10
	5.3 Office Layout	10
	5.4 Cabling	10
	5.5 Telephone Line for Dial-up	10

10010-1 SCOPE OF WORK

The Contractor shall design, manufacture, supply, deliver, install, supervise, and commission a Weights and Measures (Consumer and Corporate Affairs, Canada) approved pitless, low profile, flush top, truck scale with all the mechanical and electrical components to indicate, record and data manage truck weights as a variety of trucks exit the City of Saskatoon's Spadina Avenue landfill.

The scale shall be supplied complete and shall be mounted on a contractor designed and approved base which shall be supplied by others. The scale shall be outdoors.

The Contractor shall be responsible for the delivery of the scale and all the necessary appurtenances as well as the unloading and temporary storage of the same.

The Contractor shall integrate the new scale and system with the existing inbound scale and digital reader. The Contractor shall provide a Turnkey System.

Finally, the Contractor shall be responsible for a working scale integrated with the existing system at the landfill meeting all required agencies tests, approvals and certifications prior to the acceptance or any payment for the installation part of the contract by the City.

10010-2 SYSTEM CONFIGURATION

The existing system consists of a 70 foot by 10 foot 80 ton pitless 4 section Fairbanks Scale and a Superior Scale Model DF 1000 Digital Weight Indicator. The scale is outside, whereas the indicator is housed in a heated weigh scale building.

There is in the scale house an electrical panel for the power supply.

The weigh system shall be as per the System Diagram on the next page. The completed system shall have the following: 2 - scales; 1 - digital reader; 1 - ticket printer; 1 - PC; 1 - amber monitor; 1 - line printer.

The scales are to be in parallel with the present scale being dedicated to the incoming vehicles and the proposed scale being used for outgoing vehicles. This is under normal operations.

The computer and the ticket printer shall be in parallel. The monitor and the line printer shall be connected to the computer.

10010-3 DESIGN AND CONSTRUCTION

3.1 General Requirements

The scale shall be designed and constructed for industrial use (including dust and vibrations) and shall be of the type approved by Weights and Measures. A system that has not been previously approved by Weights and Measures shall not be accepted. Although under normal operations the proposed scale shall weigh outgoing vehicles, the design and construction of the scale shall be such that the scale can weigh on a continuous basis incoming vehicles.

All components used in the instrumentation including the computer and line printer, shall be used under industrial conditions and shall be so designed and constructed.

Truck weights as determined by the scale load cells shall be transmitted to the digital reader. The information from the reader shall under normal operations be sent to the computer for processing and then a ticket will be generated by the line printer. In the event that the computer is down the information from the reader shall be sent to the ticket printer.

Power surge protection shall be provided for the entire system.

3.2 Scale

The scale shall meet the following minimum requirements:

1. The scale shall be capable of weighing tractor/trailer combinations, container carriers, and load packers, single axle and tandem axle dump trucks and tanker trucks, private cars and trailers.
2. The scale shall be of the pitless, low profile, flush top with no side rails.
3. The physical aspects shall be: 80 ton capacity; 70 foot length; 10 foot width.
4. The weighing mechanism shall be self aligning, self restoring load cells.

In addition, the scale shall be double skinned having a checker plate steel deck and a steel plate underside with no side beams. The deck shall be modular construction. All cell wiring beyond the cell access holes shall be enclosed in rigid steel conduit. Access to all the load cells shall be through the top steel deck. The scale shall have a bumper checking system for controlling the movement of the scale. The surfaces shall be epoxy painted throughout and all surfaces except the top and sides are to be sealed and rust proofed in addition.

All exposed fasteners, shims, washers, etc., are to be of stainless steel. Approved weather skirting shall be provided and installed on both sides of the scale as well as "T" belt for both ends. The load cells shall be weather protected precision load cells with built in lightning protectors. The load cells shall be located inboard with access through the top.

3.3 Ticket Printer

The ticket printer shall be compatible with the Superior Scale Model DF 1000 Digital Weight Indicator. The ticket printer shall be of the "intelligent" type as Industrial Data Systems' Model 750 with 2000 ID memory positions and multiple scale inputs. An equivalent ticket printer may be considered.

3.4 Computer

The computer shall be an IBm PC AT compatible or an equivalent. It shall be designed and manufactured for the industrial environment.

The specific computer shall meet the following minimum requirements:

1. There shall be automatic system backup every ten completed transactions.
2. The computer shall have an internal Hayes compatible modem with 300/1200/2400 BAUD selectability. The modem shall have auto-dial and auto-answer.
3. In the event of a power failure, a resident UPS must be available for down loading the RAM to a hard disk drive.
4. The computer shall be complete with 640k RAM and a single disk drive and a 20 Meg. CDC hard drive.

5. The computer shall support an amber monitor.
6. Included with the computer shall be an amber screen monitor.

3.5 Line Printer

The line printer shall have as a minimum the following features:

1. A 300 cpm speed
2. Be a dot matrix printer with a push track and friction feed.

The line printer shall be a Cilton Model C310 or equivalent.

10010-4 FUNCTIONAL REQUIREMENTS

4.1 Vehicle In/Out Operation

Under normal operations the existing scale shall be used for inbound vehicles and the proposed scale shall be used for outbound vehicles. However, in the event that the existing scale breaks down, the proposed scale will serve both as the inbound and outbound scale. The same will apply to the existing scale in the event that the proposed scale breaks down.

4.2 Information (Data) Flow

The weight shall be determined by the scale. From the scale the information shall flow to the digital reader. Next the information shall flow either to the ticket printer or the computer. At either location the weight shall be combined with other input and a final record completed as per the weight receipt. At the end of every ten completed records the information shall be automatically down loaded to the hard drive.

At the end of every day or at the beginning of the next day the hard drive will copy the records to a remote tape back up. In the event that there is a further need the day's hard drive records shall be committed to floppy disks.

During the time that a vehicle is at the dump face, records shall be kept in the RAM for further processing.

4.3 **Billing Requirements**

Currently, companies using the landfill extensively have a charge arrangement with City Hall. With the advent of the computer the charge information will be down loaded through the modem to the Engineering Department's PCs and invoices made on a monthly basis.

The invoices shall have the following information:

Date; Company Name and Address; current charges listing the date of the transaction, the unit number, the weight (either metric or imperial), the cost based on the weight, the entrance charge, the total cost for each transaction, the total charges based on the weight, the total entrance charges, the total charges on the specific invoice.

The invoice may extend over more than a single page. Each page shall have a header consisting of the company's name, date, and page number. Also each page shall have a sub total and the last page shall have a final total.

At a future date there may be a requirement that the charges be made against a deposit which would be made at the beginning of the month. The invoicing shall be capable from the outset to accommodate this future requirement.

4.4 Database Requirements

The database shall be capable of handling up to 2000 entries/records a day of the type listed on the weigh scale receipt (minimum of 50 files per record). It shall also be able to recall information on the basis of company name and truck unit number so as to process the transaction. Further the database shall be able to recall information on the basis of vehicle category.

On an as required basis the database shall be capable of producing a summary by customer, account number, vehicle number, vehicle category, material class, material source, tare weight, weight, time in, total weight, entrance fees, total charges. The database shall be capable of identifying companies where the deposit is below a certain amount.

The database shall have the capability to down load the information to Lotus 123, Lotus Symphony and dBase III Plus.

4.5 Down Loading/Up loading Data

Data shall be automatically down loaded at a frequency of not less than every ten completed records during the time that the scale is in operation. Management may at any time request data transmission to a remote computer during a lull in the operation. The data fields shall be as per the weigh scale receipt sheet with the cursor moving from one field to another based on the return key.

4.6 Security and Back Up

There shall be provision for two levels of security, each with a six alpha-numeric password code to upload the data and get the system working.

At the end of the day the operator will be required to back up the days transactions onto floppy disks or transmit to a remote tape back up, which will be kept at the Yards Office.

4.7 Non-normal Operations

In the event that the computer fails the next mode of operation will be the ticket printer which will have been previously programmed to provide tare weights based on the various companies and their units. The minimum ticket output shall be as per the sample ticket output. In the event that both the computer and the ticket printer are down the weights will be read off the digital reader and the ticket will be completed manually.

In the event of a power failure the computer will have a UPS to download the information to the hard drive.

4.8 Displays, Output Formats, Flexibility

The first and foremost display shall be that of the weigh scale receipt. Other displays shall include the invoices, and the summaries as outlined above based on day, week, month and year.

In addition, the information shall be downloaded to the daily Lotus 123 spreadsheet.

There shall be flexibility in the system for additional fields.

10010-5 INSTALLATION REQUIREMENTS

5.1 Location

The scale shall be installed on the east side of the existing scale house. The deck of the scale shall be flush with the scale house slab. A by pass road will be constructed east of the proposed scale.

5.2 Scale Foundation

The scale foundation structurally shall be the responsibility of others; however, the Contractor shall be responsible, prior to erecting the scale, for the scale supports being located in the required place and at the required elevation.

5.3 Office Layout

Upon being awarded the Contract, the Contractor shall provide special instructions to the owner if there are any significant modifications required to the scale house. These modifications will be taken under advisement.

5.4 Cabling

The Contractor shall install all necessary cabling including all necessary duct work. Minimum cover on duct work shall be 24 inches.

5.5 Telephone Line for Dial-up

The Contractor shall make all necessary arrangements for providing a telephone line for dialing up the computer.

END OF SPECIFICATION 10010

INDEX

	<u>Page</u>
11000-1 SCOPE	2
11000-2 NEW MATERIAL	2
11000-3 PRODUCT APPROVAL	2
11000-4 QUALIFICATIONS	3
11000-5 DESIGN	3
11000-6 SOUND TRANSMISSION CLASS (STC)	4
11000-7 POST FOUNDATION CONCRETE	4
11000-8 MATERIALS	4
11000-9 SAMPLES	4
11000-10 COLOR AND FINISH	5
11000-11 DRAWINGS	5
11000-12 CONSTRUCTION	5

11000-1 SCOPE

This Section includes the procedures for obtaining Product Approval and describes noise barriers which have been approved for sound attenuation in the City of Saskatoon. This Section shall be read in conjunction with Sections 11001, Construction Materials – Concrete Noise Barriers and 11002, Construction Materials – Transparent Noise Barriers. Materials which have not been approved for use in any of these three Sections, may only be used with the written approval of the Specification and Product Review Committee (SPRC).

11000-2 NEW MATERIAL

All material supplied under this Contract shall be newly manufactured and free from all defects. Salvaged materials from prior use will not be accepted. Materials which have been in storage may not be accepted unless the Supplier can demonstrate that the materials have not been damaged in any way during storage.

11000-3 PRODUCT APPROVAL

Suppliers wishing to have a product approved for use in the City of Saskatoon shall submit the following items:

1. A description of the product including detailed drawings and specifications.
2. A sample of the product.
3. Test results indicating compliance with the industry standard specifications such as ASTM or CSA. Tests shall be certified by a Professional Engineer from an independent testing firm.
4. A list of users who may be contacted with respect to the product's performance.

At least 8 weeks will be required to evaluate the product. Approval for use in the City of Saskatoon shall be at the direction of the Specification and Product Review Committee (SPRC).

11000-4 QUALIFICATIONS

Manufacturers shall prove that they are capable of fulfilling these specifications.

Prior to beginning the work, the Contractor will submit manufacturer's samples of product, certified test data, and shop drawings of framing and connection details for approval.

11000-5 DESIGN

The noise barrier shall be designed in accordance with either:

- a) CAN/CSA-S6 Canadian Highway Bridge Design Code; or
- b) AASHTO Guide Specification for the Structural Design of Sound Barriers, 1989 edition incorporating 1992 & 2002 amendments; or
- c) AASHTO LRFD Bridge Design Specification 6th Edition (2012).

Foundations shall be designed to meet or exceed the recommendations of the geotechnical report for the area the noise barrier is to be constructed.

The top of the barrier profile shall be installed level. To accommodate sloping ground, the barrier shall be evenly stepped with all panels installed level.

11000-6 SOUND TRANSMISSION CLASS (STC)

The Sound Transmission Class (STC) of the specimen shall be 20 or greater and shall be determined from the measured sound transmission loss in accordance with ASTM-E413.

11000-7 POST FOUNDATION CONCRETE

Concrete used for post foundations shall achieve a minimum of 25 MPa compressive strength at 28 days.

11000-8 MATERIALS

Noise barriers shall meet or exceed the accelerated weathering test and test for colour fastness. Materials normally subject to damage from Ultra Violet (U.V.) rays shall be treated to make them U.V. resistant.

All materials shall be protected from weather and damage while in transit or at the construction site.

11000-9 SAMPLES

Prior to production of materials, the Contractor shall supply samples for visual inspection.

Full production of materials shall not commence until approval of the samples, in respect to finishes, colour, dimensions, tolerances, workmanship, etc. has been given.

The samples approved by the project Engineer shall be used as a standard for consistency of colour and texture.

11000-10 COLOR AND FINISH

The coloring used in concrete posts and panels must be integral to the concrete. It is not acceptable to stain the posts and panels after the concrete has cured.

Panels are to be sandstone colored and posts are to be charcoal colored. If the posts are poured integrally with the panels, both may be sandstone.

The surface texture shall be subject to approval by the Engineer.

11000-11 DRAWINGS

The successful tenderer shall be required to submit Shop Drawings to scale showing the proposed method of panel erection, post details, and attachment method. The Shop Drawings and attached notes shall stipulate the construction of both posts and panels and the respective finishes and bear the seal of a professional engineer registered in the Province of Saskatchewan, with permission to consult.

11000-12 CONSTRUCTION

The noise barrier shall be constructed at the location and grade established by the Engineer.

END OF SPECIFICATION 11000

INDEX

	<u>Page</u>
11001-1 SCOPE	2
11001-2 GENERAL	2
11001-3 MATERIALS	2

11001-1 **SCOPE**

This Section describes concrete noise barriers which have been approved for use in the City of Saskatoon. The concrete noise barriers shall be suitable for sound attenuation.

11001-2 **GENERAL**

Supply, fabricate and install concrete noise barriers in accordance with this Specification, the General Requirements, and either:

- a) CAN/CSA-S6 Canadian Highway Bridge Design Code; or
- b) AASHTO Guide Specification for the Structural Design of Sound Barriers, 1989 edition incorporating 1992 & 2002 amendments; or
- c) AASHTO LRFD Bridge Design Specification 6th Edition (2012).

11001-3 **MATERIALS**

3.1 **Concrete**

A minimum compressive strength of 25 MPa shall be used in fabricating precast concrete noise barriers.

Cement used on the work shall conform to current CSA specifications.

An approved air entraining agent shall be used in all concrete and shall comply with the Specifications for Air Entraining Admixture for Concrete (A.S.T.M. Designation: C-260) and used in strict accordance with the manufacturer's recommendations.

The colouring used in the posts and panels must be integral to the concrete. It is not acceptable to stain the posts and panels after the concrete has cured.

Panels are to be sandstone colored and posts are to be charcoal colored. If the posts are poured integrally with the panels, both may be sandstone.

3.2 Reinforcing Steel

Reinforcing steel shall be fabricated from deformed bars and/or welded wire mesh conforming to the requirements of ASTM Designation A615, Grade 400 or CSA G30.12.

3.3 Shop Drawings

Shop drawings shall be provided by the supplier, detailing all relevant aspects of posts and panels, installation and connection details, and bear the seal of a professional engineer registered in the Province of Saskatchewan, with permission to construct.

END OF SPECIFICATION 11001

INDEX

	<u>Page</u>
11002-1 SCOPE	2
11002-2 GENERAL	2
11002-3 MATERIALS	2
11002-4 TESTING	7
11002-5 CONSTRUCTION METHODS	10
11002-6 MEASUREMENT AND PAYMENT	10
APPENDIX 1	11

11002-1 SCOPE

This Section covers the construction of transparent noise barrier panels for sound attenuation.

11002-2 GENERAL

Furnish materials and construct transparent noise barrier panels as shown on the plans and required by this specification.

11002-3 MATERIALS

Use materials conforming to the pertinent requirements of the following:

The noise barrier shall be a rigid monolithic sheet, and comply with all requirements of this specification.

The structural components of the system shall be designed in accordance with either:

- a) CAN/CSA-S6 Canadian Highway Bridge Design Code; or
- b) AASHTO Guide Specification for the Structural Design of Sound Barriers, 1989 edition incorporating 1992 & 2002 amendments; or
- c) AASHTO LRFD Bridge Design Specification 6th Edition (2012).

Materials will conform to applicable shop drawings.

Manufacturers must have certifications to ISO 9001:2008, ISO14001:2004 and RC 14001:2008. Evidence to be furnished upon request.

Manufacturers must have a minimum 10 year history of producing transparent noise barrier assemblies for highway noise barriers. Evidence of long term performance

consisting of performance statement letters or personnel for contact shall be furnished upon request.

3.1 Source

Materials will be supplied as per Specification Section 15007 (Construction Materials – Noise Barriers).

3.2 Shop Drawings

Shop drawings shall be provided by the supplier, detailing all relevant aspects of sheet installation, and connection details, and bear the seal of a professional engineer registered in the Province of Saskatchewan, with permission to consult.

3.3 Transparent Panel Assemblies

If so required by the contract specifications and drawings, the transparent panel shall be assembled within a frame, to provide a Transparent Panel Assembly. All details of the Transparent Panel Assembly will be detailed on shop drawings and submitted to the Department's Representative for approval.

Additional requirements for Transparent Panel Assembly are found in Appendix 1.

3.4 Color

Unless otherwise specified, the transparent noise barrier shall be colorless.

3.5 Dimensions

Dimensions of the transparent noise barrier panel shall be specified by the applicable drawings. Unless otherwise specified, the tolerance on length and width dimensions shall be $-0, +0.25$ ".

3.6 Performance Characteristics

The transparent noise barrier shall meet the performance requirements of Table 1 when tested in accordance with the associated ASTM test method (or equivalent industry standard).

Table 1. Performance Requirements

Property	Requirement	ASTM Test Method
Tensile Strength	> 9,250 psi	D638
Flexural Modulus	> 445,000 psi	D790
Rockwell Hardness	M-90	D785
STC	> 27	E90/E413

The transparent noise barrier shall meet the optical requirements of Table 2 when tested in accordance with the associated ASTM test method (or equivalent industry standard).

Table 2. Optical Requirements

Property	Requirement	ASTM Test Method
Light Transmission	> 90%	D1003
Haze	< 1.5%	D1003
Yellowness Index	< 1	E313
Self Ignition	> 650°F	D1929

3.7 Resistance to Weathering

After exposure to outdoor weather for a period of ten years the noise barrier panels shall show no evidence of cracking or crazing and shall comply with the

requirements of Table 3 when tested in accordance with the associated test method (or equivalent industry standard).

Table 3. Weathering Requirements

Property	Requirement	ASTM Test Method
Light Transmission	> 88%	D1003
Haze	< 10%	D1003
Yellowness Index	< 5	E313
Tensile Strength	> 80% of initial value	D638
Flexural Strength	> 80% of initial value	D790

3.8 Fire Resistance

The noise barrier shall meet the flammability requirements of Table 4 when tested in accordance with the associated test method (or equivalent industry standard).

Table 4. Flammability Requirements

Property	Requirement	ASTM Test Method
Resistance to brush fire	Minimum, Class 3	EN 1794-2
Horizontal burn rate	< 2.5 in/min	D635
Smoke density	< 50%	D2843

3.9 Shatter Resistance

When the panel is to be mounted on a structure or in such a way that if damaged they could pose a hazard to road users or others, the transparent panel be required to retain all broken pieces by employing an internal or external restraint system. Supplier shall show evidence of ability for panels to retain all broken pieces after ten or more years of outdoor exposure.

3.10 Impact Resistance

The noise barrier shall meet the requirements of EN 1794-1, Appendix C.

The noise barrier shall meet the requirements of ANSI Z97.1, safety glazing material.

The noise barrier shall pass the large missile impact test, ASTM E 1996-97/02.

3.11 Graffiti Resistance

Supplier shall recommend an effective, compatible graffiti remover and upon request, shall furnish a product sample and provide a graffiti removal demonstration.

PlexiClean (or equivalent approved graffiti remover for glass and plexiglass) may be used on transparent wall panels to remove graffiti. The PlexiClean product shall be used as per manufacturer's recommendations.

3.12 Bird Deterrence

Unless specified, all panels shall have the bird deterrence feature with a pattern capable of preventing in excess of 90% of bird impacts. The panel manufacturer shall possess and furnish evidence of the panel efficacy upon request. The bird deterring pattern must be an integral part of the panel, capable of withstanding graffiti removal efforts. Application of films in a secondary, post production process are not allowed due to the tendency of these films to delaminate, haze, or otherwise prematurely degrade the visual performance of the panel.

3.13 Wind Load Resistance

The maximum elastic deflection d_{max} , under the design wind load shall be less than 3 inches.

When a load factor of 1.5 is applied to the design wind load:

- i). The sheet shall not show any symptoms of failure such as buckling or cracks.
- ii). The sheet shall not become detached from its supports or fittings.

3.14 Resistance to Roadside Chemicals

The transparent noise barrier shall be resistant to standard de-ice chemicals such as:

Calcium Chloride, Magnesium Chloride, Potassium Acetate, Calcium / Magnesium Acetate, and Sodium Acetate

3.15 Resistance to Fungi

The transparent noise barrier shall undergo testing in accordance with ASTM G21 and have a zero rating, show no signs of fungi growth, after the standard 28 day test period.

11002-4 TESTING

4.1 ASTM Standards

D635 – Standard Test Method for Rate of Burning and/or Extent and Time of Burning of Self-Supporting Plastics in a Horizontal Position

D638 – Test Method for Tensile Properties of Plastic

D785 – Test Method for Rockwell Hardness of Plastics and Electrical Insulating Materials

D790 – Test Methods for Flexural Properties of Unreinforced and Reinforced Plastics and Electrical Insulating Materials

D1003 – Test Methods for Haze and Luminous Transmittance of Transparent Plastics

D1929 – Test Method for Ignition Properties of Plastics

D2843 – Test Method for Density of Smoke from Burning or Decomposition of Plastics

E313 – Standard Practice for Calculating Yellowness and Whiteness Indices from Instrumentally Measured Color Coordinates

E90 – Standard Method for Laboratory Measurement of Airborne Sound Transmission Loss of Building Partitions

E413 – Standard Classification for Determination of Sound Transmission Class

E1996-97/02 – Standard Test Method for the performance of exterior windows, Curtain Walls, Doors, and Impact Protective Systems Impacted by Windborne Debris in Hurricanes

G21 – Standard Practice for Determining Resistance of Synthetic Polymer Materials to Fungi

G155 – Standard Practice for Operating Xenon Arc Light Apparatus for Exposure of Non-Metallic Materials

4.2 Other Standards

ANSI Standard Z97.1 – Glazing Materials Used in Buildings, Safety Performance Specifications and Methods of Test

EN 1793-2 / ZTV-Lsw 06 – Road Traffic Noise Reducing Devices – Test method for determining the acoustic performance.

EN 1794-1 – Road Traffic Noise Reducing Devices – Non Acoustic Performance
Part 1 – Mechanical Performance and Stability Requirements
Part 2 – General Safety and Environmental Requirements

ISO 9001:2008 – Quality Management System (Certification)

ISO 14001:2004 & RC 14001:2008 – Environmental Management System and Responsible Care (Certification)

ISO 527-2/1B/5 – Tensile tests on plastics

ISO 178 – Plastics – Determination of Flexural Properties

ISO 1183 – Plastics – Methods for determining the density of non-cellular plastics

ISO 306/B50 – Poly(methyl methacrylate) (PMMA) moulding and extrusion materials

DIN 53752-A – Testing of Plastics: Determination of the Coefficient of Linear Thermal Expansion

DIN 5036 – Radiometric and Photometric properties of Materials.

11002-5 CONSTRUCTION METHODS

Install transparent noise barrier panels in accordance with manufacturer's recommendations or as directed by the Engineer.

11002-6 MEASUREMENT AND PAYMENT

6.1 Measurement

The item will be measured by the area in square feet between the top of noise barrier elevation and bottom of noise barrier elevation, as shown in the shop drawing schedule of quantities.

6.2 Payment

The work performed and the materials furnished in accordance with this Item and measured as provided under "Measurement" will be paid for at the unit price bid for "Transparent Noise Barrier Panels". This price will be full compensation for furnishing and installing all transparent noise barrier panels including framing, welding, fasteners, hardware, all labour, equipment, and incidentals necessary to complete the work.

APPENDIX 1

ALUMINUM FRAMED TRANSPARENT PANEL ASSEMBLY REQUIREMENTS

Framing members shall:

Consist of profile as approved by the Engineer unless otherwise defined and approved in the project design process.

Comply with the requirements of ASTM B221 and be of grade 6061-T6.

Meet tolerances as defined by ANSI H35.2-2006 – American National Standard Dimensional Tolerances for Aluminum Mill Products.

Welding:

For frame designs where welding is required:

- Welds on the bottom surface of the bottom framing member shall be ground flush.
- Welding shall comply with the requirements of AWS D1.2, Structural Welding Code – Aluminum.
- Visual inspection reports required.

Machining:

Removal of U channel section on side framing members should result in a smooth, flush surface. Limit of +0", -0.030" is allowed only in the immediate area of the U channel.

Gasket:

EPDM gasket will use non migratory plasticizers, must be tested for compatibility with the transparent noise barrier panel.

Fasteners & Hardware:

Bolts shall be of type 304/304L stainless steel conforming to ASTM A276.

Washers shall be of type 304/304L of 316/316L stainless steel conforming to ASTM A276.

Coating (where applicable):

Anodize:

Per AAMA 611-98 – Voluntary Specification for Anodized Architectural Aluminum Use a Class 1 anodized finish (requires minimum coating thickness of 0.7 mil).

Coater shall perform and document crosshatch adhesion test results, in accordance with ASTM-3359, for each process batch.

Power Coat:

Per AAMA 2604-05 – Voluntary Specification, Performance Requirements and Test Procedures for High Performance Organic Coatings.

Coater shall have current certification from the coating manufacturer for application of AAMA 2604 architectural powder coatings.

Powder Coating thickness shall be 3-5 mils for exterior surfaces, wash coat in panel pocket.

Coater shall perform and document crosshatch adhesion test results, in accordance with ASTM-3359, for each process batch.

Paint:

1. Surface Preparation - Solvent Clean per SSPC-SP1.
2. Surface Preparation - Abrasive blast per SSPC-SP7 brush blast cleaning with DuPont Starblast non-metallic fine abrasive or equivalent.
3. Apply one seal coat of CarboCoat 120 water based bonding primer, or equivalent, thickness 1-2 mils.
4. Apply finish coat of Carboline 133hb polyurethane, or equivalent, thickness 3-5 mils. Color to be specified.
5. Perform crosshatch adhesion test in accordance with ASTM-3359.

Assembled Panels:

Following assembly, the manufacturer shall perform an inspection on each panel to ensure the panels have the following characteristics:

Dimension, Assembled Panels

Length	Target \pm 0.25"
Height	Target \pm 0.25"

Squareness No more than 0.25" difference between the two diagonals

Waviness ± 0.25 " out of flat

Hardware, Torque Setting:

Bolts shall be tested to confirm a torque of at least 30 ft-lbs or as approved by the Manufacturer and the Engineer.

Bolts shall be fully engaged (no exposed threads).

Bolts shall not be cross threaded.

Other Criteria:

When assembled, film is not under gasket.

Gasket is installed to the full length, less up to ¼" at each end, of the U channel section in which the sheet edge resides.

Hardware (where applicable) is coated to match.

Coating (where applicable) is not damaged or flaking.

Touch-up coating (where applicable) is available for inclusion with shipment.

Documentation Requirements:

The City may request documentation from the contractor related to fabrication/supply of transparent sound wall products.

Typical documentation required of the assigned fabricator include:

- a. Aluminum Profile – Certification to ASTM B221, Grade 6061-T6.
- b. Aluminum Bar – Certification to ASTM B221, Grade 6061-T6.
- c. Hardware – Certification of test to ASTM A276.
- d. Coating – Documentation of cross hatch test & certifications as required above.
- e. Welding – Visual inspections report per AWS D1.2.
- f. Machining – Inspection report to verify requirements of Appendix 1.
- g. Final Product – Inspection report to verify requirements of Appendix 1.

END OF SPECIFICATION 11002

INDEX

12600-1	SCOPE	2
12600-2	PLANS AND DRAWINGS	2
12600-3	SITE LAYOUT / CLEARANCES	2
12600-4	TEMPORARY TRAFFIC CONTROL	3
12600-5	TRENCHING, BORING & BACKFILL	3
12600-6	UNDERGROUND CONDUIT	5
12600-7	JUNCTION BOXES	7
12600-8	PRE-CAST POLE BASES	8
12600-9	CAST-IN-PLACE CABINET BASE	9
12600-10	PRE-CAST CABINET BASE	12
12600-11	SERVICE PEDESTALS	13

12600-1 **SCOPE**

This Section describes the materials used and the normal procedures followed for installation of the underground components of traffic signals indicated below.

- location of existing utilities
- installation of underground conduit (trenching or directional bore)
- installation of junction boxes
- installation of pole bases
- installation of traffic signal cabinet concrete base
- installation of service pedestals

12600-2 **PLANS AND DRAWINGS**

All material shall be installed according to the plans and drawings provided. Where modifications to the plans are required or would enhance the installation, they should be brought to the attention of the Engineer for approval prior to being installed.

Any changes made to the original plans during the field installation shall be noted, and submitted upon project completion to the Engineer.

12600-3 **SITE LAYOUT / CLEARANCES**

All conduit, pole base, junction box, cabinet base, and service pedestal locations shall be marked in the field as per the plans provided and shall be confirmed with the Engineer prior to installation.

The Contractor shall be responsible for acquiring all underground clearances for each location.

12600-4 TEMPORARY TRAFFIC CONTROL

Where the Contractor is the sole workforce at a worksite they shall coordinate and supervise all temporary traffic controls required. The Contractor shall be responsible for maintenance, control and safeguarding of vehicular and pedestrian traffic within and immediately abutting the work area in accordance with City Standards.

Where the City is the primary work force at a worksite, the City will be responsible for maintenance, control and safeguarding of vehicular and pedestrian traffic within and immediately abutting the work area in accordance with City Standards and on all detours that are not within the work area, at no cost to the Contractor.

12600-5 TRENCHING, BORING & BACKFILL

Trenches/boring shall be performed to result in a straight line between termination points as shown on the drawings, and as per the current City of Saskatoon Standard Drawing 102-0016-032 available on the City's web site. Trenches will be 150mm to 200mm in width and trenched to 1 metre below finished grade when under a roadway, and 750mm below grade when installed behind sidewalks or curbs. Trenching will only be permitted with the approval of the Engineer.

5.1 Trenching in Existing Roadway

Trenches in existing roadways shall be backfilled with fillcrete or 20MPa concrete. Backfill shall extend to 100mm below existing asphalt to allow for hot mix asphalt to be placed matching the existing roadway. Patching shall be performed by City staff and will be coordinated through the Engineer.

Measurement and payment for roadway trenching and backfill will be on a unit price bases per linear metre excavated, and will include all material,

labour and equipment required to excavate to 1 metre below finished grade, remove and dispose of surplus material, and provide 20MPa concrete backfill after conduit has been installed.

5.2 Trenching in Unpaved Roadway

Trenches located within a roadway structure through earth or granular materials prior to asphalt placement shall be backfilled with base aggregate as per Section 03001-3.2.2 available on the City's web site. This material shall be compacted to 98% of Standard Proctor Density using mechanical compacting equipment.

Measurement and payment for trenching in unpaved roadway shall be at unit price per lineal metre excavated, and will include all material, labour and equipment required to excavate to 1 metre below finished grade, remove and dispose of surplus material, and provide granular backfill after conduit has been installed.

5.3 Trenching in Natural Ground

Natural ground is defined as any area that will be finished with topsoil, typically located behind sidewalks, curbs, or in medians. Trenches in uncovered ground shall be backfilled with similar material as removed from the trench, compacted to meet the surrounding soil density.

Measurement and payment for trenching in natural ground shall be at unit price per lineal metre excavated, and will include all material, labour and equipment required to excavate to 750mm below finished grade, remove and dispose of surplus material, and backfill after conduit has been installed.

5.4 Boring

Boring shall be defined as any method of creating a void in the in-situ material without disturbing the surface and includes directional boring and auguring. Boring shall be performed from a sufficient distance away from any existing or future structure or roadway as not to cause damage to that structure. The boring depth shall meet the same depth specifications for trenching. Any excavation required for boring operations shall be backfilled as per the trenching backfill specifications.

Measurement and payment for boring shall be at unit price per lineal metre bored based on hole size (100mm, 200mm, 300mm), and will include all material, labour and equipment required to bore the required hole, remove and dispose of surplus material.

12600-6 UNDERGROUND CONDUIT

Underground conduit shall be installed in accordance with the location, size, and number specified on the drawings. All underground conduits shall be 50mm (2") Polyethylene Pipe (HDPE) when trenching or boring. 50mm (2") corrugated, double walled, flex pipe will no longer be supplied for trenching or boring. Flex pipe will only be supplied with adaptors to terminate the conduit into a junction box, pole base, cabinet base, or service pedestal as per the current City of Saskatoon Standard Drawings 102-0016-019, 102-0016-029, 102-0016-033, or 102-0016-034 available on the City's web site. The City of Saskatoon will supply all conduit materials for traffic signal applications unless otherwise stated in the contract documents.

All conduits shall be continuous, without kinks or splices (except when joining polyethylene pipe to corrugated flexible pipe at junction boxes, pole bases, cabinet bases, and service pedestals with a connector supplied by the City) and with minimal deviation from horizontal or vertical alignment between junction

boxes. Conduit shall be installed at the bottom of the excavated trench or borehole at the trenching/boring depths specified. When traffic signal conduit and street light conduit are installed in a joint use trench, the uppermost shall always be the street light conduit.

Conduit terminating at a wooden pole shall extend from the ground and contact the pole at the ground surface. The conduit shall terminate one metre above the surface and shall be temporarily strapped to the pole. Conduit terminating on a steel pole or traffic signal cabinet base shall extend 300mm past the surface. Conduit entering precast or cast in place pole bases shall extend through the conduit ports and extend 20mm into the centre opening.

An orange polypropylene twine pull string with a minimum strength of 200 lbs (i.e. Field King 9600, Field King 9000 from the Co-op or equivalent) shall be installed in each conduit. Each duct shall be labelled at both ends to identify the conduit. The pull string (Field King 9600, Field King 9000 from the Co-op or equivalent) shall be taped to the conduit at each end to ensure it cannot be pulled back through the conduit. Each conduit end shall be closed shut with duct tape and/or wooden/plastic plugs to ensure that the interior of the conduit remains free of debris and moisture.

City staff shall inspect and approve all conduits prior to backfilling. All conduit shall be tested to ensure no kinks or blockage exist (with City staff present during testing) by pulling a 25 mm diameter ball through the conduit. The Contractor shall repair any areas that are blocked and repeat the test until the ball can be pulled freely from one conduit end to the other.

Measurement and payment for installation of conduit shall be at unit price per linear metre of each conduit installed and shall include: the pickup from City facilities and delivery to site of conduit; installation of conduit; supply and installation of pull strings, labelling tape and tape for conduit closure; testing of conduit.

12600-7 JUNCTION BOXES

Junction boxes shall be installed in accordance with the location, size, and number specified on the drawings and as per the current City of Saskatoon Standard Drawing 102-0016-019 available on the City's web site. The City of Saskatoon will supply all junction box materials for traffic signal applications unless otherwise stated in a contract.

The junction box shall be placed on 200mm of clean pea gravel, compacted sufficiently to support the junction box and not allow for settlement. Where junction boxes are installed at locations finished with natural ground surface, the top of the box shall be flush with the surrounding surface or proposed ground surface. Where junction boxes are installed at locations finished with concrete surface, the junction box shall have four 100mm x 10mm galvanized bolt and washer anchors installed horizontally through the wall of the box, one on each side; shall be fitted with a galvanized lid; and the lid shall be set level with the proposed concrete elevation prior to concrete being cast. The concrete surrounding the junction box lid shall be shaped to provide a smooth finish without casting the lid into the concrete. Upon concrete curing, the lid shall be easily removed and replaced to the junction box. Conduit entering the junction box shall extend vertically a minimum of 100 mm into the junction box and shall be cut horizontally. The conduit shall be terminated in the centre of the junction box, bound together with a mechanical fastener such as duct tape or zip ties. The surrounding ground surface affected by the installation of the junction box shall be restored to its original condition.

Measurement and payment shall be per unit for each size and type of junction box installed and shall include: the pickup of all necessary material from City facilities

and delivery to installation site; removal and installation of concrete or asphalt; excavation, removal and backfill of any material for installation of junction box; supply and installation of clean pea gravel; installation of the anchor bolts for junction box when installed in concrete.

12600-8 PRE-CAST POLE BASES

Pre-cast pole bases shall be installed in the locations specified on the plans and as per the current City of Saskatoon Standard Drawing 102-0016-029 available on the City's web site. The City of Saskatoon will supply all pre-cast pole base materials for traffic signal applications unless otherwise stated in the contract documents.

The excavation for the pole base shall be of sufficient width to allow for the mechanical compaction of the backfill material. All loose material shall be removed from the excavation and backfilled with base aggregate as per Section 03001-3.2.2 available on the City's web site, and compacted to a minimum 95% Standard Proctor Density. The Contractor shall ensure that the pole bases are installed plumb and level, and that the anchor bolts are aligned with the intended direction of the signal arm. Pole bases shall extend a minimum of 75 mm and maximum 125mm above the final grade of the surrounding or proposed natural ground or concrete surface. A 19mm wooden cover plate shall be installed on each base to prevent moisture and debris from entering. A ground rod shall be installed within the nearest junction box beside each base to an elevation 100mm above the pea gravel. A clamp-on connector, and #6 AWG bare copper ground wire (contractor supplied) shall be attached to the ground rod, and the wire inserted into one of the ports of the pole base through an earth filled excavation. The copper wire (contractor supplied) shall extend past the top of the pole base no less than 0.6m and shall be coiled and stored within the pole base. The surrounding surface affected by the installation of the traffic signal pole base shall be restored to its original condition.

Measurement and payment shall be per unit for each pre-cast pole base installed and shall include: the pickup of all necessary material from City facilities and delivery to installation site; excavation, installation, and backfill of any material for installation of pole base; installation of ground rod; supply and installation of the wooden cover and ground wire.

12600-9 CAST-IN-PLACE CABINET BASE

Poured-in-place cabinet bases shall be installed in accordance with the location specified on the drawings. The City of Saskatoon will supply all ground rods and clamps, anchor bolts, and mounting template for traffic signal applications unless otherwise stated in the contract documents.

9.1 Cast-in-Place Cabinet Base in Natural Ground

Where boulevard space allows, the cast-in-place concrete cabinet base will be installed in natural ground in the boulevard as per the current City of Saskatoon Standard Drawing 102-0016-033 available on the City's web site.

The cast-in-place concrete cabinet base in natural ground shall be 1200mm x 1400mm with a minimum thickness of 300mm. The cast-in-place cabinet base shall be placed on 200mm of base aggregate as per Section 03001-3.2.2 available on the City's web site, compacted sufficiently to support the cabinet assembly base and not allow for settlement. The rear section of the cabinet base shall be the pedestal pad and will be the portion of base closest to the roadway measuring 1200mm x 700mm. The pedestal pad will hold the anchor bolt and mounting template for the cabinet pedestal. The front section of the cabinet base shall be the foot pad and will be the portion of pad furthest from the roadway. The City will supply the required anchor bolts and mounting

template for the cabinet pedestal. The template shall be oriented as to center the anchor bolts on the pedestal pad of the concrete base. Conduit terminating in the cabinet base shall be contained within a 300 mm diameter circle in the centre of the pedestal pad section of the controller base. Conduit shall extend a minimum of 50 mm above the upper surface of the base. 2 - 100mm (4") PVC 90 degree long sweep elbows shall be installed to the cabinet junction box and 2 – 50mm (2") ducts shall be installed as per the plan (either both through the cabinet junction box or one to the junction box the other to the service pedestal). A City supplied copper ground rod shall be installed within a 25mm PVC conduit and extend a minimum of 100 mm above the top of the PVC conduit inside the cabinet base. A clamp-on connector and a #6 AWG bare copper ground wire (contractor supplied) shall be attached to the ground rod and extend .6 m above the top of the cabinet base.

Upon completion of the installation of the conduit, ground rod, and anchor bolts, one mat of 10M deformed bars located at 300mm o/c shall be placed to ensure 75mm clearance on top, bottom, and sides, prior to concrete pour. 35 MPa alkali resistant concrete shall be placed around the components. The upper surface of the concrete base shall be trowelled to a smooth finish. The surface of the base shall be gently sloped from the centre to the edges to prevent water from collecting on the pedestal base. The edges shall be bevelled to 45 degrees over 25mm. The surrounding ground surface affected as a result of the installation of the base shall be restored to its original condition.

9.2 Cast-in-Place Cabinet Base in Sidewalk

Where boulevard space is too small or nonexistent, the cast-in-place concrete cabinet base will be installed in the sidewalk as per the current City of Saskatoon Standard Drawing 102-0016-038 available on the City's web site.

The cast-in-place concrete cabinet base in sidewalk shall be 600mm x 1200mm with a minimum thickness of 300mm. The cast-in-place cabinet base shall be placed on 200mm of base aggregate as per Section 03001-3.2.2 available on the City's web site, compacted sufficiently to support the cabinet assembly base and not allow for settlement. The City will supply the required anchor bolts and mounting template for the cabinet pedestal. The template shall be oriented as to center the anchor bolts of the concrete base. Conduit terminating in the cabinet base shall be contained within a 300 mm diameter circle in the centre of the controller base. Conduit shall extend a minimum of 50 mm above the upper surface of the base. 2 - 100mm (4") PVC 90 degree long sweep elbows shall be installed to the cabinet junction box and 2 - 50mm (2") ducts shall be installed as per the plan (either both through the cabinet junction box or one to the junction box the other to the service pedestal). A City supplied copper ground rod shall be installed in conjunction with the conduit and extend a minimum of 100 mm above the top of the PVC conduit inside the cabinet base. A clamp-on connector and a #6 AWG bare copper ground wire (contractor supplied) shall be attached to the ground rod and extend .6 m above the top of the cabinet base.

Upon completion of the installation of the conduit, ground rod, and anchor bolts, one mat of 10M deformed bars located at 300mm o/c shall be placed to ensure 75mm clearance on top, bottom, and sides, prior to concrete pour. 35 MPa alkali resistant concrete shall be placed around the components. The pad is to be pinned into existing sidewalk or pinned for new sidewalk to prevent settling. The upper surface of the concrete base shall be trowelled to a smooth finish. The surface of the base shall be gently sloped from the centre to the edges to prevent water from collecting on the pedestal base. The surrounding ground surface affected as a result of the installation of the base shall be restored to its original condition.

Measurement and payment shall be per unit for each cast-in-place cabinet base installed and shall include: pickup of all necessary material from City facilities and delivery to installation site; removal and installation of concrete or asphalt; excavation, removal and backfill of any material for installation of cast-in-place cabinet base; installation of ground rod; supply and installation of rebar, 25mm PVC conduit and 100mm PVC elbows, concrete, and ground wire.

12600-10 PRE-CAST CABINET BASE (TEMPORARY)

Pre-cast Cabinet Bases shall be installed in accordance with the location specified on the drawing. The City of Saskatoon will supply all materials for pre-cast cabinet base materials for traffic signal applications unless otherwise stated in the contract documents.

The excavation for the cabinet base shall be of sufficient width to allow for mechanical compaction of the backfill material. All loose material shall be removed from the excavation and backfilled with a base aggregate as per Section 03001-3.2.2 available on the City's web site, and compacted to a minimum 95% Standard Proctor density. The Contractor shall ensure that the cabinet base is installed plumb, level, and set to the level specified in the drawings. A 19 mm wooden cover plate shall be installed on the base to prevent moisture and debris from entering the enclosure.

A City supplied copper ground rod shall be installed in the centre of the base and extend a minimum of 100 mm above the surface of the finish ground inside the cabinet base. A clamp – connector and a #6 AWG bare copper ground wire (contractor supplied) shall be attached to the ground rod and extend .6 m above the top of the cabinet base and shall be coiled and stored within.

Measurement and payment for each pre-cast cabinet base installed shall include: the pickup of all necessary material from City Facilities and delivery to the

installation site; excavation, removal and backfill of any material for installation of pre-cast cabinet base; installation of the ground rod and clamp; supply and installation of ground wire.

12600-11 **SERVICE PEDESTALS**

Service pedestals shall be installed in accordance with the location specified on the drawings, and as per the current City of Saskatoon Standard Drawing 102-0016-034 available on the City's web site. The City of Saskatoon will supply all service pedestal materials for traffic signal applications unless otherwise stated in the contract documents.

The base of the service pedestal shall be buried between 100mm to 150mm into the soil. A ground rod shall be installed in the service pedestal and extend a minimum of 100 mm above the pea gravel base. A clamp-on connector and a #6 AWG bare copper ground wire (contractor supplied) shall be attached to the ground rod and extend .6 m above the top of the cabinet base and shall be coiled and stored within. Conduit entering the junction box shall extend vertically a minimum of 100 mm into the service pedestal and shall be cut horizontally. The conduit shall be terminated in the front half of the service pedestal, bound together with a mechanical fastener such as duct tape or zip ties. The surrounding ground surface affected by the installation of the service pedestal shall be restored to its original condition.

Measurement and payment shall be per unit for each service pedestal installed and shall include: the pickup of all necessary materials from City facilities and delivery to installation site; supply and installation of clean pea gravel; excavation, removal and backfill of any material for installation of service pedestal; installation of the ground rod and clamp; supply and installation of ground wire.

END OF SPECIFICATION 12600

INDEX

14001-0	REQUEST TO CUT CITY SURFACE INFRASTRUCTURE	2
14001-1	COST SCHEDULE FOR WORK PERFORMED BY CITY FORCES	2
14001-2	SPECIFICATIONS FOR WORK PERFORMED BY EXTERNAL CORPORATION OR CONTRACTOR	6
14001-3	UTILITY OR CONTRACTOR CONSTRUCTION	15
14001-4	DEEP BURIED UTILITIES (IE WATER AND/OR SEWER)	16

14001-0 REQUEST TO CUT CITY OF SASKATOON SURFACE INFRASTRUCTURE

Seventy-two (72) hours prior to cuts in the City of Saskatoon Right of Way the “Utility Cut Request Form” must be completed at www.saskatoon.ca/utilitycuts

City of Saskatoon Surface Infrastructure applies to Cuts of the following: Paved Streets and Lanes, Concrete Sidewalk and Curbs, Gravel Lanes, Sod and Grass Areas.

14001-1 COST SCHEDULE FOR WORK PERFORMED BY CITY FORCES

1.1 Paved Streets and Paved Lanes

Please be advised that effective April 1, 2016 unit charges to your Corporation for patch paving streets after construction and maintenance will be as follows. Costs include all labour, equipment and material required during the preparation and repair of the cut, follow-up maintenance and repairs as required, and long term damage to the integrity of the infrastructure.

Cold Mix Asphalt Temporary Patch Charge Rates (Charged from April 1st, 2016 until May 20th, 2016 and November 1st, 2016 until March 31st, 2017).

Item	Chargeout Unit Rate
Collector	\$ 261.85 /m ²
Arterial	\$ 281.85 /m ²
Expressway	\$ 281.85 /m ²

Maintenance Fee Schedule (Applies to all cuts including gravel or cold mix).

Week Starting	Chargeout Surcharge
Friday, April 01, 2016	\$ 676.19
Friday, April 08, 2016	\$ 599.85
Friday, April 15, 2016	\$ 523.50
Friday, April 22, 2016	\$ 447.16
Friday, April 29, 2016	\$ 370.81
Friday, May 06, 2016	\$ 294.47
Friday, May 13, 2016	\$ 218.13
After May 19 until Nov 1	\$ 76.34

Week Starting	Chargeout Surcharge
Tuesday, November 01, 2016	\$ 1,047.01
Tuesday, November 08, 2016	\$ 1,036.10
Tuesday, November 15, 2016	\$ 1,025.19
Tuesday, November 22, 2016	\$ 1,014.29
Tuesday, November 29, 2016	\$ 1,003.38
Tuesday, December 06, 2016	\$ 992.47
Tuesday, December 13, 2016	\$ 981.57
Tuesday, December 20, 2016	\$ 970.66
Tuesday, December 27, 2016	\$ 959.76
Tuesday, January 03, 2017	\$ 948.85
Tuesday, January 10, 2017	\$ 937.94
Tuesday, January 17, 2017	\$ 927.04
Tuesday, January 24, 2017	\$ 916.13
Tuesday, January 31, 2017	\$ 905.22
Tuesday, February 07, 2017	\$ 894.32

Tuesday, February 14, 2017	\$ 883.41
Tuesday, February 21, 2017	\$ 872.51
Tuesday, February 28, 2017	\$ 861.60
Tuesday, March 07, 2017	\$ 850.69
Tuesday, March 14, 2017	\$ 839.79
Tuesday, March 21, 2017	\$ 828.88
Tuesday, March 28, 2017	\$ 752.54

Hot Mix Asphalt Repair Charge Rates

Item	Depth	Chargeout Unit Rate
Lane	Shallow ($\leq 1.2\text{m}$)	\$ 109.67 /m ²
Local	Shallow ($\leq 1.2\text{m}$)	\$ 116.92 /m ²
Collector	Shallow ($\leq 1.2\text{m}$)	\$ 116.92 /m ²
Arterial	Shallow ($\leq 1.2\text{m}$)	\$ 131.92 /m ²
Expressway	Shallow ($\leq 1.2\text{m}$)	\$ 151.92 /m ²
Lane	Deep ($> 1.2\text{m}$)	\$ 130.02 /m ²
Local	Deep ($> 1.2\text{m}$)	\$ 130.02 /m ²
Collector	Deep ($> 1.2\text{m}$)	\$ 130.02 /m ²
Arterial	Deep ($> 1.2\text{m}$)	\$ 152.27 /m ²
Expressway	Deep ($> 1.2\text{m}$)	\$ 172.27 /m ²

Charges for Barricading

\$500.00 plus taxes if requested by the Utility Company.

Taxes

Goods and Services Tax (GST) and Provincial Sales Tax (PST) are not included in the above prices. These taxes will be added at time of billing.

1.2 Costs for Repair of Concrete Sidewalk and Curb

- Curb only - \$171.81/lineal metre
- Sidewalk only - \$203.69/square metre
- Combined sidewalk and curb - \$231.86/square metre
- Saw cutting - \$26.33/lineal metre

1.3 Costs for Repair of Gravel Lanes

- Trench Repair - \$25.10/lineal metre
- Blading Only - \$3.83/lineal metre
- For Excavations wider than one metre, a flat rate of \$60.90/square metre

1.4 Costs for Repair of Sod and Grass Areas

- Cuts with an area of 5 sq meters or less will be charged a flat rate for sod or seeding of \$260.00.
- Sod cuts with an area in excess of 5 sq meters will be charged the flat rate of: \$260.00, plus \$18.85/sq meter for every square meter over the initial 5 sq meters for sod.
- Sod cuts for chain trenching costs will be charged a flat rate of \$260.00 for 20m or less. Any cuts longer than 20m will be charged \$260.00 plus \$8.95 per linear meter.
- Seeded grass cuts with an area in excess of 5 sq meters will be charged the flat rate of \$260.00, plus \$3.85/sq meter for grass seeding.
- Base rate sodding – the cost for sod installation is \$18.85 per square meter.
- Base rate seeding – the cost for fine grading and seeding is \$4.85 per square meter.

14001-2 **SPECIFICATIONS FOR WORK PERFORMED BY EXTERNAL
CORPORATION OR CONTRACTOR**

2.1 **Paved Streets and Paved Lanes**

2.1.1 **Shallow Buried Utilities less than 1200mm depth (cut width
less than 300mm)**

- All pavement edges are to be saw cut by contractor.
- On paved streets, lean concrete with a maximum strength of 10.0MPa must be used from bottom of trench to bottom of existing pavement.
- Asphalt should be 75mm thick or match existing, whichever is greater.
- If existing asphalt is greater than 75mm, asphalt must be placed in two lifts.
- Asphalt shall be Type 2 hot mix asphalt compacted to a minimum of 97% of Marshall design density.
- See Plan No. 102-0007-001.

2.1.2 **Shallow Buried Utilities less than 1200mm depth (cut width
greater than or equal to 300mm)**

Can use one of two methods:

Method One

- All pavement edges are to be saw cut by contractor.
- Non-shrink fill with a maximum strength of 0.6MPa must be used from bottom of trench to a point 200mm below the bottom of finished pavement surface.
- Place a polyethylene bond breaker between 0.6MPa and the 20MPa concrete.
- 200mm of 20MPa concrete must be used below existing asphalt.
- Asphalt should be 75mm thick or match existing whichever is greater.

- If existing asphalt is greater than 75mm, asphalt must be placed in two lifts.
- Asphalt shall be Type 2 hot mix asphalt compacted to a minimum of 97% of Marshall design density.
- All excavated material to be hauled away.
- See Plan No. 102-0007-002.

Method Two

- All pavement edges are to be saw cut by contractor.
- Utility company is to cover their utility line with concrete or compacted gravel to a depth of 400mm below top of asphalt.
- A plate tamper or vibratory roller must be used for compaction of gravel.
- Base gravel shall be placed in 150mm lifts (maximum) and compacted to 100 % of Standard Proctor Density.
- **Test results must be provided. Compaction test reports can be faxed to 975-2971.**
- Base gravel is to be placed to the bottom of asphalt.
- Asphalt should be 75mm thick or match existing whichever is greater.
- If existing asphalt is greater than 75mm, asphalt must be placed in two lifts.
- Asphalt shall be Type 2 hot mix asphalt compacted to a minimum of 97% of Marshall design density.
- All excavated material to be hauled away.
- If test results are less than the specified density, the contractor must excavate, re-compact and re-test to confirm density. If densities are not met, paving costs will be increased by 20% plus barricading charge.
- If tests are not provided, paving costs will be increased by 30% plus barricading charge.
- Tests shall be taken at a minimum of 50m spacing along project.
- See Plan No. 102-0007-003.

2.1.3 Shallow Buried Utilities less than 1200mm depth (cut width greater than or equal to 300mm) Winter Construction (after November 15th) on Collector or Greater Roadways

Utility cuts will not be permitted after November 15th as hot mix asphalt is not available after this date. Under special circumstances road cuts may be permitted upon approval from the Transportation & Utilities Department. The Transportation & Utilities Department will determine how repair will be made if winter construction is allowed.

2.1.4 Shallow Buried Utilities less than 1200mm depth (on all cuts) Winter Construction (after November 15th) On Local Street or Paved Lanes

Can use one of three methods:

Method One

- All existing snow and ice in the general area is to be removed and trucked off site.
- All excavated material is to be hauled to an approved disposal area off site.
- The fill, base gravel shall be placed in 150mm lifts (maximum) and a compactive effort is to be made.
- The cut is to be filled with gravel to the top of asphalt.

The Cut is left in this condition and maintained by the City of Saskatoon through the winter months. The following steps take place during the subsequent spring season:

- The utility is to arrange with the City to schedule the placement of hot mix asphalt.
- The temporary patch is to be removed by utility.
- If asphalt edge is not clean and straight, the utility or contractor must make a new cut leaving the trench or hole with a straight clean edge.

- If there is no temporary patch excavate gravel to bottom of asphalt or 75mm which ever is greater.
- Base gravel is to be placed to base of asphalt.
- The trench must be compacted to 100% of Standard Proctor Density.
- If test results are less than the specified density contractor must excavate, re-compact and re-test to confirm density. Paving costs will be increased by 20% plus barricading charge.
- If tests are not provided, paving costs will be increased by 30% plus barricading charge.
- Tests shall be taken at a minimum of 50m spacing along project.
- **Test results must be provided. Compaction test reports can be faxed to 975-2971.**
- The City of Saskatoon will place hot mix asphalt, and the utility will be charged based on summer rates. (Refer to Page 2 for Cost Schedule).
- If existing asphalt is greater than 75mm, asphalt must be placed in two lifts.
- Asphalt shall be Type 2 hot mix asphalt compacted to a minimum of 97% of Marshall design density.

Method Two

- All existing snow and ice in the general area is to be removed and trucked off site.
- All excavated material is to be hauled to an approved disposal area off site.
- The fill, base gravel shall be placed in 150mm lifts (maximum) and an effort is made to compact materials.
- The cut is to be filled with gravel to the top of asphalt.

The Cut is left in this condition and maintained by the City of Saskatoon through the winter months. The following steps take place during the subsequent spring season:

- The utility is to arrange with the City to schedule the placement of hot mix asphalt.
- The temporary patch is to be removed by utility.
- If there is no temporary patch, excavate gravel to bottom of asphalt or 75mm which ever is greater.

- If asphalt edge is not clean and straight, the utility or contractor must make a new cut, leaving the trench or hole with a straight clean edge.
- If utility or contractor choose not to provide compaction testing then the utility or contractor must remove gravel fill.
- All excavated material is to be hauled away.
- Non-shrink fill with a maximum strength of 0.6MPa must be used from bottom of trench to a point 200mm below the bottom of finished pavement surface.
- See Plan No. 102-0007-002.
- Place a polyethylene bond breaker between 0.6MPa and the 20MPa concrete.
- Bond breaker is not required if 0.6MPa concrete has set already. If they are poured at the same time the utility or contractor must use bond breaker.
- 200mm of 20MPa concrete must be used below existing asphalt.
- The City of Saskatoon will place hot mix asphalt, and the utility will be charged based on summer rates. (Refer to Page 2 for Cost Schedule).
- If existing asphalt is greater than 75mm, asphalt must be placed in two lifts.
- Asphalt shall be Type 2 hot mix asphalt compacted to a minimum of 97% of Marshall design density.

Method Three

- All existing snow and ice in the general area is to be removed and trucked off site.
- All pavement edges are to be saw cut by contractor.
- All excavated material is to be hauled away.
- Non-shrink fill with a maximum strength of 0.6MPa must be used from bottom of trench to a point 200mm below the bottom of finished pavement surface.
- See Plan No. 102-0007-002.
- Place a polyethylene bond breaker between 0.6MPa and the 20MPa concrete.
- 200mm of 20MPa concrete must be used below existing asphalt.
- Concrete must be covered with an insulated tarp for 24 hours.
- Utility or contractor shall place gravel from 20Mpa concrete to top of asphalt.

The Cut is left in this condition and maintained by the City of Saskatoon through the winter months. The following steps take place during the subsequent spring season:

- The utility is to arrange with the City to schedule the placement of hot mix asphalt.
- The temporary patch of cold mix is to be removed by the utility
- If asphalt edge is not clean and straight, the utility or contractor must make a new cut leaving the trench with a straight clean edge.
- The City of Saskatoon will place hot mix asphalt, and the utility will be charged based on summer rates. (Refer to Page 2 for Cost Schedule).
- If existing asphalt is greater than 75mm, asphalt must be placed in two lifts.
- Asphalt shall be Type 2 hot mix asphalt compacted to a minimum of 97% of Marshall design density.

2.1.5 Shallow Buried Utilities less than 1200mm depth (cut width less than 300mm) Winter Construction (after November 15th) on Collector or Greater Roadways.

- All existing snow and ice in the general area is to be removed and trucked off site.
- All pavement edges are to be saw cut if trencher does not make a smooth cut.
- All excavated material is to be hauled to an approved disposal area off site.
- Lean concrete with a maximum strength of 10.0MPa must be used from bottom of trench to bottom of finished pavement surface.
- The City of Saskatoon will temporarily patch cuts with cold mix asphalt, the patch should be 75mm thick. The utility will be charged based on summer rates. (Refer to Page 2 for Cost Schedule). The City of Saskatoon will make the decision whether cold mix asphalt patching will be required, if not the cut will be patched with gravel.

The Cut is left in this condition and maintained by the City of Saskatoon through the winter months. The following steps take place during the subsequent spring season:

- The utility is to arrange with the City to schedule the placement of hot mix asphalt.
- The temporary patch is to be removed by utility.
- If there is no temporary cold mix asphalt patch, excavate the patch gravel to bottom of asphalt or 75mm whichever is greater.
- The City of Saskatoon will place hot mix asphalt, and the utility will be charged based on summer rates. (Refer to Page 2 for Cost Schedule).
- If existing asphalt is greater than 75mm, asphalt must be placed in two lifts.
- Asphalt shall be Type 2 hot mix asphalt compacted to a minimum of 97% of Marshall design density.
- See Plan No. 102-0007-001.

2.2 Non-Paved Lanes

2.2.1 Shallow Buried Utilities in Gravel lanes

- All excavated material is to be hauled to an approved disposal area off site.
- The fill base gravel shall be placed in 150mm lifts (maximum) and compacted to 95% of Standard Proctor Density at existing field moisture content.
- The surface will be graded and the construction area must be well gravelled.
- If construction areas fail the City will fix sites and bill the utility.
- See Plan no.102-0007-005.

2.2.2 Shallow Buried Utilities in Gravel Lanes Winter Construction (after November 15th)

- All existing snow and ice in the general area is to be removed and trucked off site.
- All excavated material is to be hauled to an approved disposal area off site.
- The fill base gravel shall be placed in 150mm lifts (maximum) and a compacted effort is to be made.
- The surface will be graded and the construction area must be well gravelled.
- **A restoration report is to be faxed to 975-2971.**
- If construction areas fail the City will fix sites and bill utility.

2.3 Shallow Buried Utilities in Parks and Boulevards

- Utility cuts should be at least 600mm from curbs or back of walks. If utility wants to place a structure in less than the minimum requirements, the utility will have to back fill the trench or hole with 2MPa non-shrink fill, to 100mm from existing topsoil.
- Trench or hole shall be filled in 150mm lifts (maximum) and compacted to 95% of Standard Proctor Density to a depth 100mm below existing topsoil.
- 100mm of topsoil must be placed over trench or hole.
- All extra cut material must be trucked away.
- Grass seed or sod must be placed over the trench or hole. The City of Saskatoon will make the decision on whether seed or sod will be used. The City will stipulate the type of grass seed to be used.
- If trench or hole sinks (within two years) the City of Saskatoon will fill the trench or hole and invoice the utility.
- In parks, the Parks Branch may require that Parks Branch do all the repairs and invoice the utility at standard rates. (Refer to Page 2 for Cost Schedule).

2.4 Utility Cuts on Unfinished Paved Road at Base Gravel Stage

- Excavate and dispose of all trench material.
- Install utility as permitted by City of Saskatoon approved layout plan.
- Backfill required to be either:
 - 1) Fillcrete (unshrinkable fill) full and complete all remaining trench to the underside of the installed granular subbase;
 - 2) Or reinstallation of native backfill material is allowed as long as a minimum trench width of 1.2 m is excavated and native backfill is installed to 98% of Maximum Standard Proctor Dry Density, (complete with independent testing results paid for by the utility or contractor);
 - 3) Or minimum 10 Mpa Concrete for the full depth of installed granular subbase.
- Approved granular base properly installed to replace the region of base removed.
- The City of Saskatoon will have its Roadway Contractor shape and compact the base prior to paving, the cost of which will be charged to the Utilities account. A minimum charge of \$300 will be assessed for a maximum of 125m², with an additional \$2.00 per m² above 125m².

2.5 Utility Cuts In Areas Graded But No Roadway Structure In Place

- 1) Fillcrete (unshrinkable fill) full and complete all remaining trench to the underside of the future subbase; the City of Saskatoon will provide grade stakes for those elevations;
- 2) Or reinstallation of native backfill material is allowed as long as a minimum trench width of 1.2 m is excavated and native backfill is installed to 98% of Maximum Standard Proctor Dry Density, (complete with independent testing results paid for by the utility or contractor).

14001-3 UTILITY OR CONTRACTOR CONSTRUCTION

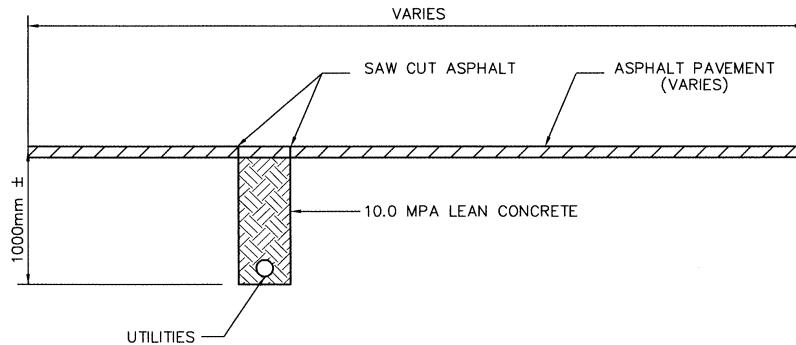
There may be occasions where it would be beneficial to both parties to have the Contractor or Corporation arrange for asphalt or concrete repairs by a private sector supplier. Prior arrangements should be made with the Roadways Manager or Superintendent. The Roadways Branch City Yards telephone number is 975-2476.

- 2 years of warranty on asphalt work by contractor.
- If work completed by a third party hired by a utility company is not satisfactory, the work will be repaired to a satisfactory state or the City of Saskatoon will make appropriate repairs and charge the utility accordingly.
- Random and scheduled inspections will be made of all work.

14001-4 **DEEP BURIED UTILITIES (IE WATER AND/OR SEWER)**

- All pavement edges are to be saw cut by contractor or corporation.
- If pavement edge has been damaged than the edge must be moved back to make the pavement edge a sharp clean line.
- All excavated material is to be hauled away.
- On all paved streets, the Contractor or Corporation shall place granular backfill (Class I Backfill) in 300 mm lifts (maximum) over the entire width of the trench and shall compact each lift to 98% of Standard Proctor Density at existing field moisture content, using vibratory mechanical compaction equipment.
- The compacted material shall be brought up to 450 mm below the existing base of asphalt.
- The Contractor or Corporation shall then supply and place 450 mm of street base gravel flush with the original base of asphalt; the street base gravel shall be placed in 150 mm lifts (maximum) and compacted to 100% of Standard Proctor Density at existing field moisture content.
- When the backfilling process can be co-ordinated with the City Yards crew for immediate asphalt patching, the street base should be left down to the base of existing asphalt. If not the hole should be filled to top of existing asphalt with base gravel.
- Asphalt should be 75mm thick or match existing whichever is greater.
- If existing asphalt is greater than 75mm, asphalt must be placed in two lifts.
- Tests shall be taken at a minimum of 50m spacing along the project.
- Test results are required on the following materials:
 - Granular base material
 - Base Gravel
- **Copies of all test results must be submitted to the Technical Support Supervisor (Fax 975-2971) and to the Operations Manager (Fax 975-2500).**
- If test results are less than the specified density contractor must excavate, re-compact and re-test to confirm density, if not paving costs will be increased by 20%.
- If tests are not provided, paving costs will be increased by 30%.

TYPICAL ASPHALT CUT
 0 - <300mm CUT

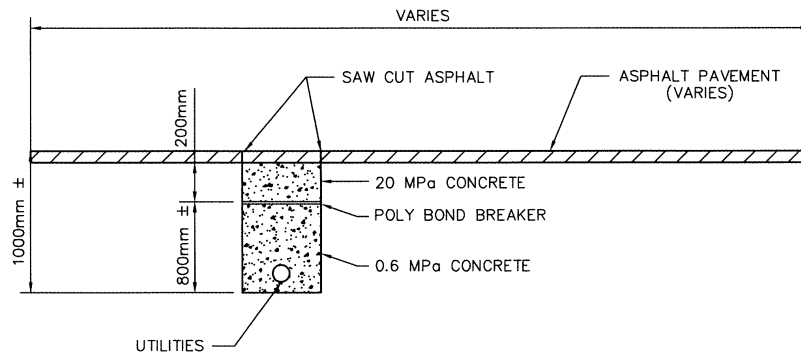


- * ASPHALT SHALL BE PLACED AT 75mm THICK OR MATCH EXISTING THICKNESS WHICHEVER IS GREATER.
- * IF EXISTING ASPHALT IS GREATER THAN 75mm, ASPHALT MUST BE PLACED IN TWO LIFTS.
- * ALL EXCAVATED MATERIAL TO BE HAULED AWAY.

1. ALL UTILITY CONSTRUCTION AND MAINTENANCE ACTIVITY INVOLVING EXCAVATION IN A CITY STREET OR LANE RIGHT-OF WAY MUST BE REPORTED TO THE CONSTRUCTION & DESIGN DIVISION CITY OF SASKATOON.
2. REPAIRS/RESTORATION OF THE STREET/LANE SURFACE SHALL BE DONE AS SHOWN.

REVISIONS			CHIEF ENGINEER _____ DATE _____	
1	MRH 03-12-22		UTILITIES PLACEMENT STANDARDS	ENGINEER _____ DATE _____
2	HLO 06-01-20	PLAN NO. 102-0007-001r005		
3	HLO 07-02-28			
4	REVISED DIVISION NAME 2015-DEC-01 HLO			
DRAWN BY RAV DATE 98-11-06				
SCALES : HOR. NTS VERT. _____				

TYPICAL STREET
 300mm - 1000mm CUT

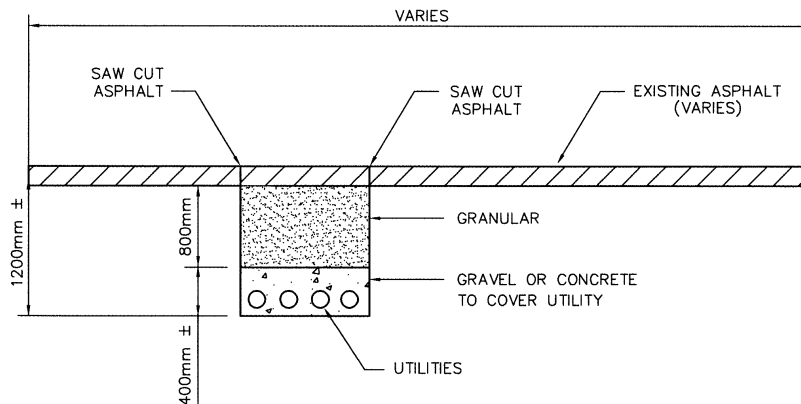


- * ASPHALT SHALL BE PLACED AT 75mm THICK OR MATCH EXISTING THICKNESS WHICHEVER IS GREATER.
- * IF EXISTING ASPHALT IS GREATER THAN 75mm, ASPHALT MUST BE PLACED IN TWO LIFTS.
- * ALL EXCAVATED MATERIAL TO BE HAULED AWAY.

1. ALL UTILITY CONSTRUCTION AND MAINTENANCE ACTIVITY INVOLVING EXCAVATION IN A CITY STREET OR LANE RIGHT-OF WAY MUST BE REPORTED TO THE CONSTRUCTION & DESIGN DIVISION CITY OF SASKATOON.
2. REPAIRS/RESTORATION OF THE STREET/LANE SURFACE SHALL BE DONE AS SHOWN.

REVISIONS				
1	MRH 03-12-22			CHIEF ENGINEER
2	HLO 06-01-20			DATE _____
3	HLO 07-02-28		ENGINEER	_____
4	REVISED DIVISION NAME 2015-DEC-01 HLO			DATE _____
DRAWN BY <u>RAV</u>		UTILITIES PLACEMENT STANDARDS	PLAN NO. 102-0007-002r005	
DATE <u>98-11-06</u>				
SCALES : HOR. NTS VERT.				

TYPICAL STREET
 300mm - 1000mm CUT



- * ASPHALT SHALL BE PLACED AT 75mm THICK OR MATCH EXISTING THICKNESS WHICHEVER IS GREATER. IF EXISTING ASPHALT IS GREATER THAN 75mm, ASPHALT MUST BE PLACED IN TWO LIFTS.
- * THE STREET BASE GRAVEL SHALL BE PLACED IN 150 MM LIFTS (MAXIMUM) AND COMPACTED TO 100 PERCENT OF STANDARD PROCTOR DENSITY AT EXISTING FIELD MOISTURE CONTENT.
- * COMPACTION TEST REPORTS MUST BE PROVIDED
 REPORTS CAN BE FAXED TO 975-2971.
- * ALL EXCAVATED MATERIAL TO BE HAULED AWAY.

1. ALL UTILITY CONSTRUCTION AND MAINTENANCE ACTIVITY INVOLVING EXCAVATION IN A CITY STREET OR LANE RIGHT-OF WAY MUST BE REPORTED TO THE CONSTRUCTION & DESIGN DIVISION CITY OF SASKATOON.
2. REPAIRS/RESTORATION OF THE STREET/LANE SURFACE SHALL BE DONE AS SHOWN.

REVISIONS	
1	MRH 03-12-22
2	HLO 06-01-20
3	HLO 07-02-28
4	REVISED DIVISION NAME 2015-DEC-01 HLO
DRAWN BY RAV	
DATE 98-11-06	
SCALES : HOR. NTS VERT.	



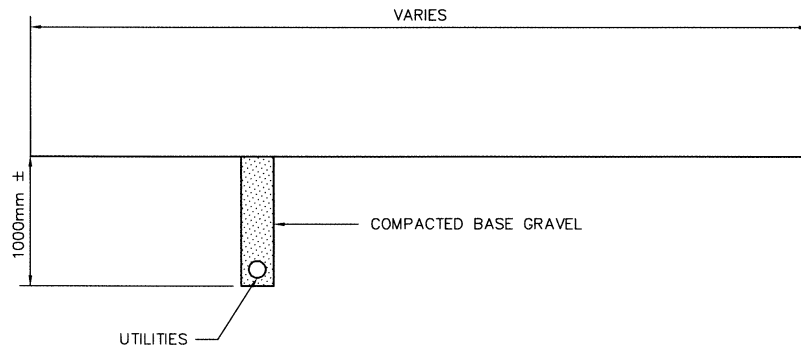
UTILITIES PLACEMENT STANDARDS

CHIEF ENGINEER _____
 DATE _____

ENGINEER _____
 DATE _____

PLAN NO. 102-0007-003r005

TYPICAL GRAVEL LANE



* FILL BASE GRAVEL SHALL BE PLACED IN 150MM LIFTS (MAXIMUM) AND COMPACTED TO 95 PERCENT OF STANDARD PROCTOR DENSITY AT EXISTING FIELD MOISTURE CONTENT.

* ALL EXCAVATION MATERIAL IS TO BE HAULED TO AN APPROVED DISPOSAL SITE AWAY FROM THE CONSTRUCTION AREA.

1. ALL UTILITY CONSTRUCTION AND MAINTENANCE ACTIVITY INVOLVING EXCAVATION IN A CITY STREET OR LANE RIGHT-OF WAY MUST BE REPORTED TO THE CONSTRUCTION & DESIGN DIVISION CITY OF SASKATOON.
2. REPAIRS/RESTORATION OF THE STREET/LANE SURFACE SHALL BE DONE AS SHOWN.

REVISIONS			CHIEF ENGINEER _____
1	CC 02-04-08		DATE _____
2	HLO 06-01-20		ENGINEER _____
3	REVISED DIVISION NAME 2015-DEC-01 HLO	DATE _____	PLAN NO. 102-0007-005r003
DRAWN BY <u>RAV</u>		UTILITIES PLACEMENT STANDARDS	
DATE <u>98-11-06</u>			
SCALES : HOR. NTS VERT.			

INDEX

15001-1	WATER MAIN PRESSURE PIPE	3
1.1	Polyvinyl Chloride (PVC) Water Pipe (150mm – 300mm)	3
1.2	Polyvinyl Chloride (PVC) Large Diameter Water Pipe (350mm - 1200mm)	4
1.3	Restrained Joint Polyvinyl Chloride (PVC) Water Pipe and Fittings (150mm – 300mm)	5
15001-2	WATER MAIN PRESSURE PIPE FITTINGS	6
2.1	Injection Moulded PVC Pipe Fittings (150mm – 1200mm)	6
2.2	Fabricated PVC Pressure Pipe Fittings	7
2.3	Grey Cast Iron Fittings	8
15001-3	WATER MAIN PIPE RESTRAINTS	9
3.1	Pipe Restrainers	9
15001-4	WATER MAIN VALVES	10
4.1	Gate Valves	10
4.2	Butterfly Valves	11
15001-5	WATER MAIN VALVE BOXES	12
5.1	Valve Boxes – Steel and Cast Iron	12
5.2	Valve Boxes – Plastic	12
5.3	Lifter Rings	13
15001-6	WATER MAIN HYDRANTS	14
6.1	Hydrants	14
15001-7	WATER MAIN PIPE COUPLINGS	15
7.1	Pipe Couplings	15

15001-8	WATER MAIN REPAIR CLAMPS	16
	8.1 Repair Clamps	16
15001-9	WATER MAIN TAPPING SLEEVES	17
	9.1 Tapping Sleeves	17
15001-10	WATER MAIN TAPPING VALVES	18
	10.1 Tapping Valves	18

15001-1 WATER MAIN PRESSURE PIPE

1.1 Polyvinyl Chloride (PVC) Water Pipe (150mm – 300mm)

Product Description:

- Polyvinyl Chloride DR18 pressure pipe and fittings
- Bell and Spigot type with factory installed rubber gasket
- Designed for a working Pressure of 1035kPa

Conforming to:

- AWWA C900, CSA137.3

Product Use:

- Water Main construction

Standard Construction Specification Reference:

- 08001-2.1

Approved products: Manufacturer – Model

- Ipex Inc. - Blue Brute
- Royal Group - Royal Seal
- Next Polymers - Aqualoc
- Northern Pipe Products Inc. – Northern Pipe

All products must meet specification. This section is intended as a guide to products that comply. The Specifications take precedence over this section. Products included in this section must still be proven to comply by the supplier. To have a product added or approved, see Sections 08000, 08001, 08002.

15001-1 WATER MAIN PRESSURE PIPE

1.2 Polyvinyl Chloride (PVC) Large Diameter Water Pipe (350mm - 1200mm)

Product Description:

- Project specific

Conforming to:

- AWWA C905, CSA137.3

Product Use:

- Only as approved by City of Saskatoon Engineer on a project to project basis
- Water Main construction

Standard Construction Specification Reference:

- N/A

Approved products: Manufacturer – Model

- Ipex Inc. – Centurion
- Royal Seal CIOD PVC Pipe

All products must meet specification. This section is intended as a guide to products that comply. The Specifications take precedence over this section. Products included in this section must still be proven to comply by the supplier. To have a product added or approved, see Sections 08000, 08001, 08002.

15001-1 WATER MAIN PRESSURE PIPE

**1.3 Restrained Joint Polyvinyl Chloride (PVC) Water Pipe and Fittings
(150mm – 300mm)**

Product Description:

- Polyvinyl Chloride pressure pipe and fittings with Steel ring-and-pin gasketed joints
- Bell and Spigot type with factory installed rubber gasket
- Designed for a working Pressure of 1035kPa

Conforming to:

- AWWA C900

Product Use:

- As approved by City of Saskatoon Engineer on a project to project basis
- Water Main construction involving Horizontal Directional Drilling and other trenchless applications

Standard Construction Specification Reference:

- N/A

Approved products: Manufacturer – Model

- Ipex Inc. - TerraBrute

All products must meet specification. This section is intended as a guide to products that comply. The Specifications take precedence over this section. Products included in this section must still be proven to comply by the supplier. To have a product added or approved, see Sections 08000, 08001, 08002.

15001-2 WATER MAIN PRESSURE PIPE FITTINGS

2.1 Injection Moulded PVC Pipe Fittings (150mm – 1200mm)

Product Description:

- Polyvinyl Chloride injection molded fittings, DR18, with rubber gasket joints
- Designed for a working Pressure of 1035kPa

Conforming to:

- AWWA C907

Product Use:

- Water Main construction

Standard Construction Specification Reference:

- 08001-5.2

Approved products: Manufacturer – Model

- Ipex Inc. - Blue Brute
- Royal Group - Royal Seal
- Harco Fittings – Harco Class 150
- Northern Pipe Products Inc. – Northern Pipe

All products must meet specification. This section is intended as a guide to products that comply. The Specifications take precedence over this section. Products included in this section must still be proven to comply by the supplier. To have a product added or approved, see Sections 08000, 08001, 08002.

15001-2 WATER MAIN PRESSURE PIPE FITTINGS

2.2 Fabricated PVC Pressure Pipe Fittings

Product Description:

- Polyvinyl Chloride fabricated fittings, DR18, with rubber gasket joints
- Designed for a working Pressure of 1035kPa

Conforming to:

- AWWA C900 or C905 and CSA B137.3

Product Use:

- Water Main construction
- Fittings larger than 300mm, as approved by engineer on a project to project basis
- Installed with a zinc anode conforming to City of Saskatoon specifications

Standard Construction Specification Reference:

- 08001-5.3

Approved products: Manufacturer – Model

- Ipex Inc. – Centurion, Blue Brute
- Royal Seal CIOD Fittings
- Galaxy Plastics – C.I.O.D. PVC C900

All products must meet specification. This section is intended as a guide to products that comply. The Specifications take precedence over this section. Products included in this section must still be proven to comply by the supplier. To have a product added or approved, see Sections 08000, 08001, 08002.

15001-2 WATER MAIN PRESSURE PIPE FITTINGS

2.3 Grey Cast Iron Fittings

Product Description:

- Cast Iron fittings, cast from grey cast iron with rubber gasket joints
- Designed for a working Pressure of 1035kPa

Conforming to:

- AWWA C110

Product Use:

- Water Main construction
- Installed with a zinc anode conforming to City of Saskatoon specifications

Standard Construction Specification Reference:

- 08001-5.1

Approved products: Manufacturer – Model

- Sigma Corporation - Tyton Joint
- Norwood Foundry Limited

All products must meet specification. This section is intended as a guide to products that comply. The Specifications take precedence over this section. Products included in this section must still be proven to comply by the supplier. To have a product added or approved, see Sections 08000, 08001, 08002.

15001-3 WATER MAIN PIPE RESTRAINTS

3.1 Pipe Restrainers

Product Description:

- Pipe restraints, consist of ductile iron split restraint rings and high strength low alloy (HSLA) connecting rods and fasteners

Conforming to:

- ASTM A536, ASTM F1674 and AWWA C111

Product Use:

- As approved by City of Saskatoon Engineer on a project to project basis
- Shall be galvanized or rust proofed by methods approved by the Engineer
- To restrain pipe and fitting joints

Standard Construction Specification Reference:

- 08030-8, Drawing 102-0012-002

Approved products: Manufacturer – Model

- Ford Meter Box Company - Uni-flange – 900-C, series 1300-C
- Sigma Corporation - Restraint Systems for Ductile Iron Pipe
- EBAA Iron, Inc. – Push On Pipe Joints

All products must meet specification. This section is intended as a guide to products that comply. The Specifications take precedence over this section. Products included in this section must still be proven to comply by the supplier. To have a product added or approved, see Sections 08000, 08001, 08002.

15001-4 WATER MAIN VALVES

4.1 Gate Valves

Product Description:

- Gate valve, grey cast or ductile iron body with non rising stem and “O”-ring stem seal
- Designed for a working pressure of 1724 kPa

Product Use:

- Water main construction, Horizontal mains.
- Installed with a zinc anode conforming to City of Saskatoon specifications

Standard Construction Specification Reference:

- 08001-3.1

4.1.1 Double Disc Valves

Conforming to:

- AWWA C500

Approved products: Manufacturer – Model

- Mueller Canada – Double Disk Gate Valve
- Clow Canada- 2640
- Jenkins Canada (obsolete soon)

4.1.2 Resilient-seated Valves

Conforming to:

- AWWA C509 / C515 , ASTM A126 / A536

Approved products: Manufacturer – Model

- Mueller Canada - Series 2360 (150-300mm) slip on type
- Clow Canada – Series F-6000 (150-300mm) Tyton fitting type
- Jenkins Canada (obsolete soon)

All products must meet specification. This section is intended as a guide to products that comply. The Specifications take precedence over this section. Products included in this section must still be proven to comply by the supplier. To have a product added or approved, see Sections 08000, 08001, 08002.

15001-4 WATER MAIN VALVES

4.2 Butterfly Valves

Product Description:

- Butterfly Valve, grey cast iron body with stainless steel shaft with O-ring stem seals
- Rubber and stainless steel or stainless steel seated

Conforming to:

- AWWA C504 class 150B Valves

Product Use:

- Water main construction, 300mm horizontal mains.
- Installed with a zinc anode conforming to City of Saskatoon specifications

Standard Construction Specification Reference:

- 08001-3.2

Approved products: Manufacturer – Model

- Mueller Canada – Lineseal III
- Clow Canada – 4500 class 150
- Jenkins (obsolete soon)
- **Crispin Valves – Kflo Series 500 (3"-20") and Series 47 (24" - 96")**

All products must meet specification. This section is intended as a guide to products that comply. The Specifications take precedence over this section. Products included in this section must still be proven to comply by the supplier. To have a product added or approved, see Sections 08000, 08001, 08002.

15001-5 WATER MAIN VALVE BOXES

5.1 Valve Boxes – Steel and Cast Iron

Product Description:

- Valve Boxes sliding type extending from 2440 mm to 3280 mm
- Cast iron cap and boot with the middle section either cast iron or steel

Conforming to:

- AWWA C213

Product Use:

- Water main construction
- Installed with a zinc anode conforming to City of Saskatoon specifications

Standard Construction Specification Reference:

- 08001-3.3.1, Drawing 102-0012-017

Approved products: Manufacturer – Model

- Titan Foundry Ltd.

5.2 Valve Boxes – Plastic

Product Description:

- Type C PI Valve Box
- Ductile iron cap with polypropylene upper assembly and PVC lower assembly, and ABS boot

Product Use:

- Water main construction
- Valve repair and maintenance

Standard Construction Specification Reference:

- 08001-3.3.2, Drawing TBD

Approved products: Manufacturer – Model

- WD Industrial Group

All products must meet specification. This section is intended as a guide to products that comply. The Specifications take precedence over this section. Products included in this section must still be proven to comply by the supplier. To have a product added or approved, see Sections 08000, 08001, 08002.

15001-5 WATER MAIN VALVE BOXES

5.3 Lifter Rings

Product Description:

- Lifter Rings for Valve Box adjustment
- Cast iron

Conforming to:

- ASTM A48 Class 20

Product Use:

- Water main rehabilitation and roadway rehabilitation

Standard Construction Specification Reference:

- Drawing 102-0012-018

Approved products: Manufacturer – Model

- Titan Foundry Ltd.

All products must meet specification. This section is intended as a guide to products that comply. The Specifications take precedence over this section. Products included in this section must still be proven to comply by the supplier. To have a product added or approved, see Sections 08000, 08001, 08002.

15001-6 WATER MAIN HYDRANTS

6.1 Hydrants

Product Description:

- Hydrants, dry barrel with compression type main valve
- 2-65mm nozzles and 114mm pumper nozzle and 150mm inlet elbow (boot) supplied with rubber gasket.
- Designed for a working Pressure of 1035kPa

Conforming to:

- AWWA C502

Product Use:

- Water main construction
- Installed with a zinc anode conforming to City of Saskatoon specifications

Standard Construction Specification Reference:

- 08001-4, 08030-10, Drawing 102-0012-003

Approved products: Manufacturer – Model

- Mueller Canada – Canada Valve
- Clow Canada – McAvity M67
- Clow Canada (Concorde, Daigle) – D67M

All products must meet specification. This section is intended as a guide to products that comply. The Specifications take precedence over this section. Products included in this section must still be proven to comply by the supplier. To have a product added or approved, see Sections 08000, 08001, 08002.

15001-7 WATER MAIN PIPE COUPLINGS

7.1 Pipe Couplings

Product Description:

- Bolted, Sleeve-type Couplings
- Consisting of a center sleeve and two end rings manufactured from either Ductile Iron, Carbon Steel, or Cast Iron, two rubber wedge gaskets, a SBR (**buna S**), **NBR (buna N)** or **EPDM grade E** rubber gasket and high strength, low alloy (HSLA) steel nuts and bolts.
- Designed for a working Pressure of 1035kPa

Conforming to:

- AWWA **C219**, AWWA C111, NSF/ANSI **61**
- Ductile Iron: ASTM 536
- Carbon Steel: ASTM A512 and A53
- Cast Iron: ASTM A97 Grade 32510 or 35018

Product Use:

- Water main construction, non-restraining connections between two plain ended pipes
- Use of reducing couplings, as approved by engineer on a project to project basis
- Each bolt to be supplied with zinc anode cap

Standard Construction Specification Reference:

- 08001-6, 08025-8.2
- For required length and number of bolts 08001-6

Approved products: Manufacturer – Model

- Robar – 1507, 1507R Epoxy coated, HSLA fasteners with anodes
- Romac – XR501 Extended range coupling
- **Romac – Macro XP Coupling**

All products must meet specification. This section is intended as a guide to products that comply. The Specifications take precedence over this section. Products included in this section must still be proven to comply by the supplier. To have a product added or approved, see Sections 08000, 08001, 08002.

15001-8 WATER MAIN REPAIR CLAMPS

8.1 Repair Clamps

Product Description:

- Stainless Steel Repair Couplings with full wrap around SBR (Buna S) rubber gasket
- Designed for a working Pressure of 1035kPa

Conforming to:

- AWWA C111 Gasket

Product Use:

- To repair service connection cut offs
- Not to be used to repair structural damage or defects of the pipe

Standard Construction Specification Reference:

- 08001-7, 08025-12

Approved products: Manufacturer – Model

- Robar Industries Ltd. – 5600 (COS Spec)
- Romac Industries Inc. – SS series

All products must meet specification. This section is intended as a guide to products that comply. The Specifications take precedence over this section. Products included in this section must still be proven to comply by the supplier. To have a product added or approved, see Sections 08000, 08001, 08002.

15001-9 WATER MAIN TAPPING SLEEVES

9.1 Tapping Sleeves

Product Description:

- Tapping Sleeve, Cast iron bolted split sleeve type with flange outlet
- Designed for a working Pressure of 1035kPa

Conforming to:

- AWWA C111, NSF 61

Product Use:

- Tapping water main services greater than 50mm

Standard Construction Specification Reference:

- 08003-1.2.6, 08025-8.2

Approved products: Manufacturer – Model

- Mueller Canada - H-615
- Robar Industries Ltd. – 6600 Model
- Smith Blair – 623 Mechanical Joint

All products must meet specification. This section is intended as a guide to products that comply. The Specifications take precedence over this section. Products included in this section must still be proven to comply by the supplier. To have a product added or approved, see Sections 08000, 08001, 08002.

15001-10 WATER MAIN TAPPING VALVES

10.1 Tapping Valves

Product Description:

- Tapping valve, iron body, bronze mounted, nonrising stem gate valve
- Designed for a working Pressure of 1035kPa

Conforming to:

- AWWA C500

Product Use:

- Tapping water main services greater than 50mm

Standard Construction Specification Reference:

- 08003-1.2.6

Approved products: Manufacturer – Model

- Mueller Canada – T2300 Series
- Clow Canada – 6000 Series

All products must meet specification. This section is intended as a guide to products that comply. The Specifications take precedence over this section. Products included in this section must still be proven to comply by the supplier. To have a product added or approved, see Sections 08000, 08001, 08002.

INDEX

	<u>Page</u>
15002-1 WATER SERVICE CONNECTION PIPE	2
1.1 Polyethelene Pipe (25-50mm)	2
1.2 Copper Pipe	3
15002-2 WATER SERVICE CONNECTION SADDLES AND CLAMPS	4
2.1 Service Saddles (25-50mm)	4
2.2 Service Clamps	5
15002-3 WATER SERVICE CONNECTION VALVES AND FITTINGS	6
3.1 Main Stops	6
3.2 Curb Stops	7
3.3 Curb Boxes	8
3.4 Fittings	9

15002-1 WATER SERVICE CONNECTION PIPE

1.1 Polyethelene Pipe (25-50mm)

Product Description:

- High Density Polyethylene Pipe (HDPE), SDR9, Series 200 (25-50mm)
- Designed for a working Pressure of 1035kPa

Conforming to:

- AWWA C901, ASTM D2737

Product Use:

- Water service connections to water mains

Standard Construction Specification Reference:

- 08003-1.1.2, 08025-9.2, Drawing 102-0013-001

Approved products: Manufacturer – Model

- Polytubes – Municipal Series 200, SDR 9
- Ipex Inc. – Municipal Series 200 SDR 9
- KWH Pipe - Sclairpipe

All products must meet specification. This section is intended as a guide to products that comply. The Specifications take precedence over this section. Products included in this section must still be proven to comply by the supplier. To have a product added or approved, see Sections 08000, 08001, 08002.

15002-1 WATER SERVICE CONNECTION PIPE

1.2 Copper Pipe

Product Description:

- Soft copper tubing type K

Conforming to:

- ASTM B88 for Type K

Product Use:

- Water service connections to city water mains

Standard Construction Specification Reference:

- 08003-1.1, 08025-9.2, Drawing 102-0013-002

Approved products: Manufacturer – Model

- Wolverine Tube Inc.
- Cerro Flow Products

All products must meet specification. This section is intended as a guide to products that comply. The Specifications take precedence over this section. Products included in this section must still be proven to comply by the supplier. To have a product added or approved, see Sections 08000, 08001, 08002.

15002-2 WATER SERVICE CONNECTION SADDLES AND CLAMPS

2.1 Service Saddles (25-50mm)

Product Description:

- Service Saddles for PVC Pipe, shall be made of type 304 stainless steel, with SBR (Buna S) rubber gasket
- Service Saddles for iron and steel pipe, Saddle shall be made of Bronze with full wrap around SBR (Buna S) rubber gasket. Type 304 stainless steel straps, washers and nuts.
- Designed for a working Pressure of 1035kPa

Conforming to:

- AWWA C800, NSF 61

Product Use:

- To take service outlets off of Water mains

Standard Construction Specification Reference:

- 08003-1.2.5, 08025-8

Approved products: Manufacturer – Model

- Robar Industries Ltd. - Series 2606 for PVC pipe
- Robar Industries Ltd – Series 2786 for Iron and Steel Pipe

All products must meet specification. This section is intended as a guide to products that comply. The Specifications take precedence over this section. Products included in this section must still be proven to comply by the supplier. To have a product added or approved, see Sections 08000, 08001, 08002.

15002-2 WATER SERVICE CONNECTION SADDLES AND CLAMPS

2.2 Service Clamps

Product Description:

- Service Clamps (Saddles) shall be made of solid bronze with Type 304 stainless steel double straps, washers and nuts.
- Designed for a working Pressure of 1035kPa

Conforming to:

- AWWA C800, NSF 61

Product Use:

- To take service outlets off of Water mains

Standard Construction Specification Reference:

- See section 08025-3.8, 08025-8

Approved products: Manufacturer – Model

- Robar Industries Ltd. – Series 2706

All products must meet specification. This section is intended as a guide to products that comply. The Specifications take precedence over this section. Products included in this section must still be proven to comply by the supplier. To have a product added or approved, see Sections 08000, 08001, 08002.

15002-3 WATER SERVICE CONNECTION VALVES AND FITTINGS

3.1 Main Stops

Product Description:

- Main Stop, corporation Valves shall be made of brass
- Inlet tapered with standard AWWA/CC or AWWA(for cast iron) thread
- Outlet Compression coupling shall be Mueller 110, Emco-Successor or Ford-Pack Joint
- Designed for a working Pressure of 1035kPa

Conforming to:

- AWWA C800

Product Use:

- Water service connections off of water mains

Standard Construction Specification Reference:

- 08003-1.2 and 08003-1.2.1

Approved products: Manufacturer – Model

- Mueller Canada -300™ Ball Type Corporation Valves
-ORI-CORP Corporation Valve
-Ground Key Design Corporation Valves
- Ford Meter Box Corp - Ford Ballcorp Corporation Valve FB series
-Plug-type Corporation Valve F series - max working pressure of 100psi only available in 1 inch
- A.Y.McDonald Mfg. Co. - Brass main stops
- Cambridge Brass – Brass main stops

All products must meet specification. This section is intended as a guide to products that comply. The Specifications take precedence over this section. Products included in this section must still be proven to comply by the supplier. To have a product added or approved, see Sections 08000, 08001, 08002.

15002-3 WATER SERVICE CONNECTION VALVES AND FITTINGS

3.2 Curb Stops

Product Description:

- Curb stop corporation valves shall be made of brass
- Curb stop corporation valve shall be either ball valve type or Plug type with O-ring seal, non draining
- Designed for a working Pressure of 1035kPa
- Inlet and outlet Compression couplings shall be Mueller 110, Ford-Pack Joint

Conforming to:

- AWWA C800

Product Use:

- Water service connections to city water mains

Standard Construction Specification Reference:

- 08003-1.2 and 08003-1.2.2

Approved products: Manufacturer – Model

- Ford Meter Box Company - Type B44
- Mueller Canada - Oriseal Curb Valve
- Mueller Canada - Oriseal III Curb Valve
- A.Y.McDonald Mfg. Co. - Brass Curb Stops
- Cambridge Brass – Brass Curb Stops

All products must meet specification. This section is intended as a guide to products that comply. The Specifications take precedence over this section. Products included in this section must still be proven to comply by the supplier. To have a product added or approved, see Sections 08000, 08001, 08002.

15002-3 WATER SERVICE CONNECTION VALVES AND FITTINGS

3.3 Curb Boxes

Product Description:

- Curb boxes, sliding type extending from 2.46 to 2.9m
- Stainless Steel pipe and spindle
- Cast iron cap
- Bottom section cast iron or approved plastic

Conforming to:

- ASTM 304

Product Use:

- Water service connections to city water mains

Standard Construction Specification Reference:

- 08001-1.2.3, Drawing 102-0013-017, 102-0013-018 and 102-0013-019

Approved products: Manufacturer – Model

- Titan Foundry Ltd. – Curb Box, Box Top, Cap, Bottom Section
- WD Industrial Group – Bottom Section

All products must meet specification. This section is intended as a guide to products that comply. The Specifications take precedence over this section. Products included in this section must still be proven to comply by the supplier. To have a product added or approved, see Sections 08000, 08001, 08002.

15002-3 WATER SERVICE CONNECTION VALVES AND FITTINGS

3.4 Fittings

Product Description:

- Water service unions shall be made of brass
- Designed for a working Pressure of 1035kPa
- Inlet and outlet Compression couplings shall be (Mueller 110, Emco-Successor or Ford-Pack Joint)

Conforming to:

- AWWA C800

Product Use:

- Water service connections to city water mains
- Use of unions shall not be used between the main stop and curb stop

Standard Construction Specification Reference:

- 08003-1.2

Approved products: Manufacturer – Model

- Ford Meter Box Company - Pack Joint fittings, type C44
- Mueller Canada - 110 Compression connections - H series
 - Tees H-12941
 - Elbows H-12944
 - Wyes H-15343

All products must meet specification. This section is intended as a guide to products that comply. The Specifications take precedence over this section. Products included in this section must still be proven to comply by the supplier. To have a product added or approved, see Sections 08000, 08001, 08002.

INDEX

15003-1	SEWER MAIN PIPE – GRAVITY FLOW	2
1.1	Reinforced Concrete Pipe	2
1.2	Polyvinyl Chloride (PVC) Type PSM, Sanitary and Storm Pipe and Fittings (150-675mm)	3
1.3	Polyvinyl Chloride (PVC) Open Profile Storm Sewer Pipe and Fittings	4
1.4	Polyvinyl Chloride (PVC) Dual Wall Corrugated Profile Storm Sewer Pipe and Fittings	5
1.5	High Density Polyethylene (HDPE) Storm Sewer Gravity Flow Pipe	6
15003-2	SEWER MAIN PRESSURE PIPE	7
2.1	High Density Polyethylene (HDPE) Sewer Pressure Pipe	7
2.2	Polyvinyl Chloride (PVC) Sewer Pressure Pipe	8
15003-3	CONCRETE MANHOLES AND CATCH BASINS	9
3.1	Reinforced Concrete Manhole Barrels and Catch Basins	9
3.2	Manhole Frames and Covers	10
3.3	Pipe to Manhole and Concrete Structure Connectors	11

15003-1 **SEWER MAIN PIPE – GRAVITY FLOW**

1.1 Reinforced Concrete Pipe

Product Description:

- Reinforced Concrete Pipe
- Joints shall be the rubber gasket type
- Standard pipe lengths shall not be less than 1.8 m

Conforming to:

- ASTM C76 Class 5 or for a specific D-load in ASTM C655
- Pipe joints - ASTM C443 or ASTM C361
- Pipe joints installed at a buried depth of 6m or greater - ASTM C361

Product Use:

- Gravity Sewer construction
- Bell and Spigot grove type joints for buried depth of 6m or greater
- Beveled pipe and pipe lengths less than 1.8m – as approved by City of Saskatoon Engineer on a project to project basis

Standard Construction Specification Reference:

- 08002-3.2

Approved products: Manufacturer – Model

- **Inland Pipe**
- Lafarge Canada Inc.

All products must meet specification. This section is intended as a guide to products that comply. The Specifications take precedence over this section. Products included in this section must still be proven to comply by the supplier. To have a product added or approved, see Sections 08000, 08001, 08002.

15003-1 **SEWER MAIN PIPE – GRAVITY FLOW**

1.2 **Polyvinyl Chloride (PVC) Type PSM, Sanitary and Storm Pipe and Fittings (150-675mm)**

Product Description:

- Polyvinyl Chloride Pipe, Bell and Spigot type with factory supplied rubber gasket.
- SDR not greater than 35 or SDR 28 at buried depth greater than 6m

Conforming to:

- ASTM D3034 and CSA B182.2

Product Use:

- Gravity Sanitary and Storm Sewer Main construction

Standard Construction Specification Reference:

- 08002-3.1

Approved products: Manufacturer – Model

- Ipex Inc. – Ring Tite
- Northern Pipe Products Inc. – Northern Pipe
- Royal Group - Royal Seal
- Next Polymers - Duraloc
- Galaxy Plastics – Gasketed Sewer Fittings

All products must meet specification. This section is intended as a guide to products that comply. The Specifications take precedence over this section. Products included in this section must still be proven to comply by the supplier. To have a product added or approved, see Sections 08000, 08001, 08002.

15003-1 **SEWER MAIN PIPE – GRAVITY FLOW**

1.3 Polyvinyl Chloride (PVC) Open Profile Storm Sewer Pipe and Fittings

Profile PVC products are not approved for use as a catch basin lead.

Product Description:

- Polyvinyl Chloride **Open Profile (OP)** Pipe with concentric reinforcing ribs
- Bell and Spigot type with factory supplied rubber gasket

Conforming to:

- **ASTM F794 and CSA B182.4**

Product Use:

- Gravity flow Storm Sewer Main construction

Standard Construction Specification Reference:

- **08002-3.1.2**

Approved products: Manufacturer – Model

- Ipex Inc. - Ultra Rib

All products must meet specification. This section is intended as a guide to products that comply. The Specifications take precedence over this section. Products included in this section must still be proven to comply by the supplier. To have a product added or approved, see Sections 08000, 08001, 08002.

15003-1 SEWER MAIN PIPE – GRAVITY FLOW

1.4 Polyvinyl Chloride (PVC) Dual Wall Corrugated Profile Storm Sewer Pipe and Fittings

Profile PVC products are not approved for use as a catch basin lead.

Product Description:

- Polyvinyl Chloride, Dual Wall Corrugated **Profile (DWCP)** pipe
- Bell and Spigot type with factory supplied rubber gasket

Conforming to:

- ASTM F794 and CSA B182.4

Product Use:

- Gravity flow storm sewer main construction

Standard Construction Specification Reference:

- **08002-3.1.2**

Approved products: Manufacturer – Model

- Royal Group – Kor-Flo (200mm – 900mm)
- **Ipex Inc. – Ultra X2 (750mm & 900mm)**

All products must meet specification. This section is intended as a guide to products that comply. The Specifications take precedence over this section. Products included in this section must still be proven to comply by the supplier. To have a product added or approved, see Sections 08000, 08001, 08002.

15003-1 SEWER MAIN PIPE – GRAVITY FLOW

1.5 High Density Polyethylene (HDPE) Storm Sewer Gravity Flow Pipe

Product Description:

- Polyethylene Sewer pipe

Conforming to:

- CGSB 41-GP-25M

Product Use:

- Gravity & Low Pressure Applications
- As approved by City of Saskatoon Engineer on a project to project basis

Standard Construction Specification Reference:

- 08010-7.5

Approved products: Manufacturer – Model

- KWH Pipe - Weholite
- Polytubes

Approved products: Manufacturer – Model (with Conditions)

CSA B182.8 (Storm Sewer) with a minimum ring stiffness of 320KPa, only with CSA B182.8 Type 1 Joints (74KPa) (Boss Ultra Stab 75) is approved for use in storm watermain line applications up to a maximum bury to invert of six metres.

Not approved for use as a catch basin lead.

- Armtec Limited - Boss 2000 320Kpa HDPE
- Hancor, Inc. – HDPE
- Hancor, Inc. – ADS N-12 WT 1B HDPE

All products must meet specification. This section is intended as a guide to products that comply. The Specifications take precedence over this section. Products included in this section must still be proven to comply by the supplier. To have a product added or approved, see Sections 08000, 08001, 08002.

15003-2 **SEWER MAIN PRESSURE PIPE**

2.1 **High Density Polyethylene (HDPE) Sewer Pressure Pipe**

Product Description:

- High Density Polyethylene Pipe

Conforming to:

- CGSB 41-GP-25M

Product Use:

- Force main construction
- As approved by City of Saskatoon Engineer on a project to project basis
- Joined by butt fusing the ends of the pipe

Standard Construction Specification Reference:

- 08002-3.3

Approved products: Manufacturer – Model

- KWH Pipe - Sclairpipe
- Performance Pipe
- Polytubes

All products must meet specification. This section is intended as a guide to products that comply. The Specifications take precedence over this section. Products included in this section must still be proven to comply by the supplier. To have a product added or approved, see Sections 08000, 08001, 08002.

15003-2 SEWER MAIN PRESSURE PIPE

2.2 Polyvinyl Chloride (PVC) Sewer Pressure Pipe

Product Description:

- Polyvinyl Chloride DR41 Class 100 Pressure Pipe
- Bell and Spigot type with factory installed gasket

Conforming to:

- AWWA C900, CSA137.3

Product Use:

- Force main construction
- As approved by City of Saskatoon Engineer on a project to project basis

Standard Construction Specification Reference:

- N/A

Approved products: Manufacturer – Model

- Ipex Inc.

All products must meet specification. This section is intended as a guide to products that comply. The Specifications take precedence over this section. Products included in this section must still be proven to comply by the supplier. To have a product added or approved, see Sections 08000, 08001, 08002.

15003-3 **CONCRETE MANHOLES AND CATCH BASINS**

3.1 Reinforced Concrete Manhole Barrels and Catch Basins

Product Description:

- Precast reinforced concrete barrels
- Joints shall be the rubber gasket type

Conforming to:

- ASTM C478

Product Use:

- Sewer main construction

Standard Construction Specification Reference:

- Section 08002, City of Saskatoon Standard Drawings for Catchbasins and Manholes

Approved products: Manufacturer – Model

- **Inland Pipe**
- **Proform Precast Products Inc.**
- Lafarge Canada Inc.
- Souris Valley Industries

All products must meet specification. This section is intended as a guide to products that comply. The Specifications take precedence over this section. Products included in this section must still be proven to comply by the supplier. To have a product added or approved, see Sections 08000, 08001, 08002.

15003-3 CONCRETE MANHOLES AND CATCH BASINS

3.2 Manhole Frames and Covers

Product Description:

- Cast Iron Frame and Cover

Conforming to:

- ASTM A48M-00

Product Use:

- Sewer main construction

Standard Construction Specification Reference:

- Section 08002, City of Saskatoon Standard Drawings for Catchbasins and Manholes

Approved products: Manufacturer – Model

- Titan Foundry Ltd.
- Westview Sales Ltd.

All products must meet specification. This section is intended as a guide to products that comply. The Specifications take precedence over this section. Products included in this section must still be proven to comply by the supplier. To have a product added or approved, see Sections 08000, 08001, 08002.

15003-3 CONCRETE MANHOLES AND CATCH BASINS

3.3 Pipe to Manhole and Concrete Structure Connectors

Product Description:

- Resilient, watertight connection between concrete manholes, structures and pipes.

Conforming to:

- ASTM C923
- ASTM C1478

Product Use:

- Sewer main construction.

Standard Construction Specification Reference:

- Section 08002-5

Approved products: Manufacturer – Model

- Hamilton Kent – HKT-CS
- Press-Seal Corporation
 - PSX: Direct Drive & 8QRS
 - Econoseal
 - Kwik Seal
 - WS Series Waterstop

All products must meet specification. This section is intended as a guide to products that comply. The Specifications take precedence over this section. Products included in this section must still be proven to comply by the supplier. To have a product added or approved, see Sections 08000, 08001, 08002.

INDEX

	<u>Page</u>
15004-1 SEWER SERVICE CONNECTION PIPE	2
1.1 Polyvinyl Chloride (PVC) Sewer Service Connection Pipe (100 -200mm)	2
15004-2 SEWER SERVICE CONNECTION FITTINGS	3
2.1 Polyvinyl Chloride (PVC) Fittings (100 -200mm)	3
2.2 Polyvinyl Chloride (PVC) Saddle and Stainless Steel Straps	4
2.3 High Density Polyethylene (HDPE) Pipe Couplings with Stainless Steel Straps	5

15004-1 SEWER SERVICE CONNECTION PIPE

1.1 Polyvinyl Chloride (PVC) Sewer Service Connection Pipe (100 -200mm)

Product Description:

- Polyvinyl Chloride Pipe, SDR 28, Bell and Spigot type with factory supplied rubber gasket

Conforming to:

- ASTM D3034

Product Use:

- Sewer service connections to Sanitary and Storm mains

Standard Construction Specification Reference:

- 08003-2 and 08025-9.1

Approved products: Manufacturer – Model

- Ipex Inc. – Ring Tite
- Northern Pipe Products Inc. – Northern Pipe
- Next Polymers - Duraloc
- Royal Group

All products must meet specification. This section is intended as a guide to products that comply. The Specifications take precedence over this section. Products included in this section must still be proven to comply by the supplier. To have a product added or approved, see Sections 08000, 08001, 08002.

15004-2 SEWER SERVICE CONNECTION FITTINGS

2.1 Polyvinyl Chloride (PVC) Fittings (100 -200mm)

Product Description:

- Polyvinyl Chloride Fittings, SDR28, Bell and Spigot type with factory supplied rubber gasket
- All bends shall be long radius

Conforming to:

- ASTM D3034

Product Use:

- Sewer service connections to Sanitary and Storm mains

Standard Construction Specification Reference:

- 08003-2 and 08025-9.1

Approved products: Manufacturer – Model

- Ipex Inc. – Ring Tite
- Northern Pipe Products Inc. – Northern Pipe
- Royal Group
- GPK Products Inc.

All products must meet specification. This section is intended as a guide to products that comply. The Specifications take precedence over this section. Products included in this section must still be proven to comply by the supplier. To have a product added or approved, see Sections 08000, 08001, 08002.

15004-2 SEWER SERVICE CONNECTION FITTINGS

2.2 Polyvinyl Chloride (PVC) Saddle and Stainless Steel Straps

Product Description:

- PVC Saddle supplied with factory installed seat and joint Gaskets, SDR 28, 100-200mm
- Two Stainless Steel Straps without quick release mechanisms

Product Use:

- Sewer service connections to Sanitary and Storm Mains

Conforming to:

- ASTM D3034

Product Use:

- Sanitary and Storm sewer service connections to Sanitary and Storm Mains

Standard Construction Specification Reference:

- 08003-2.3

Approved products: Manufacturer – Model

- Ipex Inc.
- Royal Group
- GPK Products Inc.

All products must meet specification. This section is intended as a guide to products that comply. The Specifications take precedence over this section. Products included in this section must still be proven to comply by the supplier. To have a product added or approved, see Sections 08000, 08001, 08002.

15004-2 SEWER SERVICE CONNECTION FITTINGS

2.3 High Density Polyethylene (HDPE) Pipe Couplings with Stainless Steel Straps

Product Description:

- High Density Polyethylene (HDPE) pipe couplings with stainless steel straps

Product Use:

- When connecting sewer pipe of different types, other than PVC to Acrylonitrile Butadiene Styrene (ABS) pipe
- PVC to Acrylonitrile Butadiene Styrene (ABS) pipe shall be connected with glued ABS Couplings
- As approved by City of Saskatoon Engineer -for sewer connections of the same type of pipe and reducing pipe size applications

Standard Construction Specification Reference:

- 08003-2.2

Approved products: Manufacturer – Model

- Fernco Connectors Ltd. – Fernco
- Mission Rubber

All products must meet specification. This section is intended as a guide to products that comply. The Specifications take precedence over this section. Products included in this section must still be proven to comply by the supplier. To have a product added or approved, see Sections 08000, 08001, 08002.

INDEX

	<u>Page</u>
15005-1 CORROSION PROTECTION	2
1.1 Anodes	2
1.2 Corrosion Prevention Tape	3

15005-1 CORROSION PROTECTION

1.1 Anodes

Product Description:

- Galvanic Zinc Anodes

Conforming to:

- ASTM B418

Product Use:

- Water main construction
- Installed to all valves, hydrants and cast iron fittings to provide corrosion protection

Standard Construction Specification Reference:

- 08000-4.4, 08025-8.2, 08030-11

Approved products: Manufacturer – Model

- Corrpro Canada Inc.
- Canada Metal Eastern Ltd.
- Interprovincial Corrosion Control
- Bren Technologies Ltd.

All products must meet specification. This section is intended as a guide to products that comply. The Specifications take precedence over this section. Products included in this section must still be proven to comply by the supplier. To have a product added or approved, see Sections 08000, 08001, 08002.

15005-1 CORROSION PROTECTION

1.2 Corrosion Prevention Tape

Product Description:

- Corrosion Prevention Primer and Tape

Conforming to:

- AWWA C217

Product Use:

- Water Main construction

Standard Construction Specification Reference:

- 08000-4.2

Approved products: Manufacturer – Model

- Denso North America Inc. - Denso Paste and Tape
- Polyken – 927 primer, 932 tape
- PetroWrap

All products must meet specification. This section is intended as a guide to products that comply. The Specifications take precedence over this section. Products included in this section must still be proven to comply by the supplier. To have a product added or approved, see Sections 08000, 08001, 08002.

INDEX

	<u>Page</u>
15006-1 ROADWAYS	2
1.1 Biaxial Geogrid with Integrated Non-Woven Geotextile	2

15006-1 ROADWAYS

1.1 Biaxial Geogrid with Integrated Non-woven Geotextile

Product Description:

- Polypropylene extruded monolithic flat structured bars
- Integrated non-woven geotextile
- Square shaped apertures
- Welded rigid junctions

Product Use:

- Reinforcement of pavements and soft subsoils
- Reduces aggregate depth requirements
- Provides filtration, separation and drainage

Standard Construction Specification Reference:

- 03060-2.3

Approved products: Manufacturer – Model

- Combigrid 40 / 40 Q1 / 151 GRK 3

All products must meet specification. This section is intended as a guide to products that comply. The Specifications take precedence over this section. Products included in this section must still be proven to comply by the supplier.

INDEX

	<u>Page</u>
15007-1 NOISE BARRIERS	2
1.1 Concrete Noise Barriers	2
1.2 Transparent Noise Barriers	3

15007-1 NOISE BARRIERS

1.1 Concrete Noise Barriers

Product Description:

- Precast concrete panel

Conforming to:

- CAN/CSA-S6 Canadian Highway Bridge Design Code; or
- AASHTO Guide Specification for the Structural Design of Sound Barriers, 1989 edition incorporating 1992 & 2002 amendments; or
- AASHTO LRFD Bridge Design Specification 6th Edition (2012).
- ASTM-E413

Product Use:

- Reduce traffic noise

Standard Construction Specification Reference:

- N/A

Approved Products: Manufacturer – Model

- Expocrete Concrete Products Ltd. (now Lafarge Canada Inc.) – AB Fence
- Pre-Con Limited – Verti-Crete Sound Wall
- Solid Rock Fencing – StoneTree Concrete Fence
- Lafarge Canada Inc. – Precast Concrete Noise Barrier (Provisionally Approved)

All products must meet specification. This section is intended as a guide to products that comply. The Specifications take precedence over this section. Products included in this section must still be proven to comply by the supplier. To have a product added or approved, see Sections 11000, 11001, 11002.

15007-2 **NOISE BARRIERS**

2.1 **Transparent Noise Barriers**

Product Description:

- Transparent thermoplastic panel

Conforming to:

- CAN/CSA-S6 Canadian Highway Bridge Design Code; or
- AASHTO Guide Specification for the Structural Design of Sound Barriers, 1989 edition incorporating 1992 & 2002 amendments; or
- AASHTO LRFD Bridge Design Specification 6th Edition (2012).
- ASTM-E413

Product Use:

- Reduce traffic noise

Standard Construction Specification Reference:

- N/A

Approved Products: Manufacturer – Model

- Evonik Industries (formerly Cyro) – Acrylite Soundstop Noise Barrier
- Forster – Fonocon Transparent Noise Barrier

All products must meet specification. This section is intended as a guide to products that comply. The Specifications take precedence over this section. Products included in this section must still be proven to comply by the supplier. To have a product added or approved, see Sections 11000, 11001, 11002.

DRAWINGS

BOULEVARDS

Cross Section VCG & Separate Sidewalk Construction	102-0001-002r001_Mar02_2006.pdf
Typical Tree & Utility Placement In Boulevards	102-0001-003r001_Mar02_2006.pdf

CURBS & WALKS

Full Heights Curbs and Gutters	102-0002-001r002_Jan04_2013.pdf
Curb on Asphalt	102-0002-002r001_Jan04_2005.pdf
Separate Dropped Curb Crossings	102-0002-003r001_Jan04_2005.pdf
810mm Concrete Barrier Curb	102-0002-004r001_Jan04_2005.pdf
Separate Vertical Curb	102-0002-005r001_Jan04_2005.pdf
Crossing – Walk, 150mm Vertical Curb and Gutter	102-0002-006r002_Jan04_2005.pdf
Crossing – Walk, 200mm Vertical Curb and Gutter	102-0002-007r002_Dec22_2009.pdf
Crossing – Walk & 150mm Vertical Curb	102-0002-008r003_Jan12_2016.pdf
Crossing – Walk & 200mm Vertical Curb	102-0002-009r003_Jan12_2016.pdf
Crossing – Separate Walk & Vertical Curb and Gutter	102-0002-010r001_Dec22_2009.pdf
Dropped Curb Crossing – Separate Walk, Vertical Curb	102-0002-011r001_Jan04_2005.pdf
Crossing – Rolled Curb, Gutter & Walk	102-0002-012r001_Jan04_2005.pdf
Curb Return Crossing – Separate Walk, Vertical Curb	102-0002-013r002_Jan31_2017.pdf
Directional Crossing, Walk and Vertical Curb	102-0002-014r001_Jan04_2005.pdf
Directional Crossing, Separate Curb and Walk	102-0002-015r001_Jan04_2005.pdf
Location of Corner Directional Crossings	102-0002-016r001_Jan04_2005.pdf
Typical Driveway Curb Detail – Isometric View	102-0002-017r001_Jan04_2005.pdf
Grade Construction for Curb and Gutter	102-0002-018r001_Jan04_2005.pdf
Grade Construction for Sidewalk, Curb and Gutter	102-0002-019r001_Jan04_2005.pdf
Grade Construction for Walkway and Sidewalk	102-0002-020r001_Jan04_2005.pdf
Control Joints	102-0002-021r001_Jan04_2005.pdf
Dowel/Control Joint Location and Spacing	102-0002-022r001_Jan04_2005.pdf
Sidewalk Ramp Details	102-0002-023r001_Jan04_2005.pdf
Ramp Locations at a T – Intersection	102-0002-024r001_Jan04_2005.pdf
Sidewalk Ramps in High Pedestrian Areas, Texture Details	102-0002-025r001_Jan04_2005.pdf
Sidewalk Ramps – Texture Details	102-0002-026r001_Jan04_2005.pdf
Sidewalk Ramp Section, Rolled Curb	102-0002-027r001_Jan04_2005.pdf
Transition, Typical Sidewalk	102-0002-028r001_Jan04_2005.pdf
Combined Walk, Vertical Curb & Gutter	102-0002-029r001_Jan04_2005.pdf
Walk, Rolled Curb & Gutter	102-0002-030r001_Jan04_2005.pdf
Separate Walk	102-0002-031r001_Jan04_2005.pdf
Concrete Walkway	102-0002-032r001_Jan04_2005.pdf
Combined Walk & Vertical Curb	102-0002-033r001_Jan04_2005.pdf
Asphalt Pathway	102-0002-034r003_Jan12_2016.pdf
Precast Concrete Curb	102-0002-035r001_Jan04_2005.pdf
Reversed Curb and Gutter Detail	102-0002-036r001_Jan04_2005.pdf
Reversed Curb and Gutter Detail	102-0002-037r001_Jan04_2005.pdf
Concrete Placement Rate of Moisture Loss Chart	102-0002-038r001_Jan04_2005.pdf
Separate Sidewalk Irrigation Sleeve	102-0002-039r001_Jan04_2005.pdf

Separate Sidewalk Bus Stop Detail	102-0002-040r001_Jan04_2005.pdf
Perpendicular Separate Sidewalk Ramp Details	102-0002-041r001_Jan04_2005.pdf
Rolled Curb & Sidewalk 1978 Style	102-0002-042r002_Jan12_2016.pdf
Gutter Patch Paving	102-0002-049r002_Jan02_2015.pdf
3.0m Multi-Use Pathway Ramp Configurations	102-0002-052r001_Dec22_2010.pdf
2500 Separate Walkway Concrete	102-0002-054r001_Jan05_2012.pdf
3000 Multi-Use Pathway Asphalt	102-0002-055r003_Jan12_2016.pdf
Roadway Sideslope Ramp Pedestrian Access Wheelchair Accessible	102-0002-057r002_Jan06_2014.pdf
Traffic Calming at a T-Intersection School / Commercial Crossing	102-0002-062r002_Jan02_2015.pdf
Traffic Calming on Curve Center Median Islands	102-0002-063r002_Jan02_2015.pdf
Traffic Calming at a Mid-Block Crossing Walkway to Walkway	102-0002-064r002_Jan02_2015.pdf
Traffic Calming at a Highly Used Intersection by Pedestrians	102-0002-065r002_Jan02_2015.pdf
Traffic Calming at a Neighborhood Entrance Center Median Island	102-0002-066r002_Jan02_2015.pdf
150mm Vertical Curb and Gutter with Paver Lip	102-0002-067r001_Jan02_2015.pdf
Concrete Swale	102-0002-069r001_Jan04_2013.pdf
Cut-Through Median Detail, Pedestrian/Cyclist Crossing	102-0002-070r001_Jan12_2016.pdf
Walk, Reversed Rolled Curb & Gutter	102-0002-071r001_Jan06_2014.pdf
FENCES	
Chain Link Fence Details – 1.8m Fence	102-0004-001r002_Jan06_2014.pdf
Chain Link Fence Details – 1.2m Fence	102-0004-002r002_Jan06_2014.pdf
Chain Link Fence – Gate Detail	102-0004-003r002_Jan06_2014.pdf
Chain Link Fence Type A	102-0004-005r001_Jan04_2005.pdf
Chain Link Fence Type A	102-0004-006r001_Jan04_2005.pdf
LANES	
Lane, Paved – Typical Lane Cross Section	102-0005-002r003_Jan12_2016.pdf
Residential Lane Dead-End Turnaround T-Type: Large Car	102-0005-003r001_Dec22_2010.pdf
Residential Lane Dead-End Turnaround T-Type: Light Single Unit	102-0005-004r001_Dec22_2010.pdf
Commercial Lane Dead-End Turnaround T-Type: Medium Single Unit	102-0005-005r001_Dec22_2010.pdf
Residential Lane Dead-End Turnaround L-Type: Large Car	102-0005-006r001_Dec22_2010.pdf
Lane, Paved – 2 Stage Construction	102-0005-007r002_Jan12_2016.pdf

MEDIANS

Splash Apron	102-0006-001r001_Jan04_2005.pdf
Mountable Median Tip	102-0006-002r001_Jan04_2005.pdf
Median Ramp	102-0006-003r001_Jan04_2005.pdf
830 Median Barrier	102-0006-005r001_Mar08_2011.pdf

SHALLOW BURIED UTILITIES

Utilities Placement Standards	102-0007-001r005_Jan12_2016.pdf
Utilities Placement Standards	102-0007-002r005_Jan12_2016.pdf
Utilities Placement Standards	102-0007-003r005_Jan12_2016.pdf
Utilities Placement Standards	102-0007-005r003_Jan12_2016.pdf
Typical Roadway Crossing Electrical Sleeve	102-0007-006r001_Jan04_2005.pdf
Typical Roadway Crossing Irrigation Sleeve	102-0007-007r001_Jan04_2005.pdf
Base/Ducting Installation – Typical Median Cross Section	102-0007-008r001_Jan02_2015.pdf

STREETS

Rubberized Asphalt Crack Sealant – Cross Section	102-0008-001r001_Jan04_2005.pdf
Speed Hump Cross Sections	102-0008-002r001_Jan29_2008.pdf

SURVEYING

Specifications for Survey Stakes	102-0009-001r001_Jan04_2005.pdf
Survey Tablet Marker Type 1	102-0009-002r001_Jan04_2005.pdf
COS Survey Marker	102-0009-003r001_Mar02_2006.pdf
COS Survey Marker Casing	102-0009-004r001_Mar02_2006.pdf
COS Survey Marker Installation	102-0009-005r001_Mar02_2006.pdf

CATCH BASINS

Storm Drainage Catch Basin for Tandem Installation	102-0010-002r001_Jan04_2005.pdf
500mm Round Catch Basin Frame and Cover	102-0010-003r001_Jan04_2005.pdf
Catch Basin Frame and Cover Surface Inlet Model	102-0010-004r001_Jan04_2005.pdf
Catch Basin Frame and Cover Curb Inlet Model	102-0010-005r001_Jan04_2005.pdf
Rolled Curb Catch Basin	102-0010-006r002_Jan04_2005.pdf
Precast Reinforced Round Catch Basin	102-0010-007r001_Jan04_2005.pdf
Installation of Catch Basin Lead for Sidewalk Const	102-0010-009r004_Jan04_2013.pdf
Hamilton Kent Pipe to Manhole Connector Spec Sheet	102-0010-010r002_Jan04_2005.pdf
Typical Catch Basin Conversion at Driveway or Crossing	102-0010-012r001_Jan04_2005.pdf
Curb Inlet Risers for Catchbasin Frame and Cover	102-0010-013r002_Jan04_2005.pdf
Curb Inlet Catch Basin Frame and Cover	102-0010-014r002_Jan31_2017.pdf
Roadway Subdrainage Pipe Connection to Catchbasin	102-0010-015r002_Jan12_2016.pdf

MANHOLES

Manhole Safety Platform	102-0011-001r002_Jan23_2007.pdf
Standard 1050mm Manhole for 200mm to 525mm Sanitary Sewers For Rehabilitation Work Only	102-0011-004r007_Jan31_2017.pdf
Standard 1200mm Manhole for 200mm to 600mm Sanitary Sewers With Drop Structure	102-0011-005r009_Jan31_2017.pdf
Standard 1200mm Manhole for 675mm to 900mm Sewers Drop Structure Manhole for Connection to Trunk Storm Sewers	102-0011-006r008_Jan31_2017.pdf
Standard 1200mm Manhole for 200mm to 600mm Sewers	102-0011-008r004_Jan02_2015.pdf
Circular PVC Pipe Beddings	102-0011-009r005_Jan31_2017.pdf
Circular Concrete Pipe Beddings	102-0011-010r001_Jan31_2017.pdf
Concrete Manhole Collars	102-0011-011r001_Jan31_2017.pdf
Manhole Lifter Ring Details	102-0011-012r001_Jan04_2005.pdf
Rubber Manhole Adjustment Riser	102-0011-013r001_Jan04_2005.pdf
Manhole Rehabilitation Where Thickness of Concrete Below Invert Exceeds 125mm	102-0011-014r001_Jan04_2005.pdf
Manhole Rehabilitation Where Thickness of Concrete Below Invert Doesn't Exceed 125mm	102-0011-016r002_Jan04_2013.pdf
Sewer Force Main Inspection Manhole	102-0011-017r002_Jan04_2013.pdf
Standard Lockable COS Manhole Frame & Cover for Public Properties	102-0011-018r003_Jan02_2015.pdf
Lock Wing & Spacers For Standard COS Manhole Covers	102-0011-019r002_Dec06_2006.pdf
Standard Lockable COS Manhole Frame & Cover for Private Properties	102-0011-020r002_Dec06_2006.pdf
TF-48 Beehive Grate	102-0011-021r002_Dec06_2006.pdf
TF-48 Beehive Frame	102-0011-022r001_Jan29_2008.pdf
Sanitary Sewer Manhole Drop Structure Between High Line and Low Line	102-0011-023r001_Jan29_2008.pdf
TF-101 Beehive Frame	102-0011-024r005_Jan31_2017.pdf
TF-101 Beehive Grate	102-0011-025r001_Dec23_2008.pdf
Standard Manhole Types for Large Sewers – Notes and Schedules	102-0011-026r001_Dec23_2008.pdf
Standard Manhole Types for Large Sewers – Sections And Details	102-0011-028r002_Jan31_2017.pdf
Standard Manhole Types for Large Sewers – Cast-In- Place Details	102-0011-029r002_Jan02_2015.pdf
Standard Storm Sewer Subdrain Detail – Crown Depth Deeper than 2.3m	102-0011-030r002_Jan31_2017.pdf
Standard Storm Sewer Subdrain Detail – Crown Depth Up to 2.3m	102-0011-031r003_Jan12_2016.pdf
Standard Low Profile Manhole Frame for Rehabilitation Work Only	102-0011-032r003_Jan12_2016.pdf
	102-0011-034r001_Jan31_2017.pdf

WATERMAINS

Copper Dead End Water Main Flusher	102-0012-001r004_Jan05_2012.pdf
Reaction Blocking and Water Main Anchoring	102-0012-002r002_Dec22_2010.pdf
Fire Hydrant Standard Installation	102-0012-003r004_Jan06_2014.pdf
Square Hydrant Guard	102-0012-004r002_Dec23_2008.pdf
Pumped Drain Structure	102-0012-005r004_Jan02_2015.pdf
Manual Air Release C301/303 Pipe	102-0012-006r002_Apr05_2007.pdf
Typical Pipe Insulation	102-0012-007r004_Jan12_2016.pdf
Welded Type Tapping Saddle for Large Diameter Steel Watermains	102-0012-009r001_Jan04_2005.pdf
Valve Anchoring Details for 300mm & Larger Valves	102-0012-010r003_Dec22_2010.pdf
Manual Air Release C905 Pipe	102-0012-011r003_Jan02_2015.pdf
Circular Hydrant Guard	102-0012-012r001_Dec23_2008.pdf
Water Circulator Service Connection	102-0012-013r001_Dec22_2009.pdf
Polyethylene Dead End Water Main Flusher	102-0012-014r002_Jan05_2012.pdf
Restraint Joints on C905 PVC Pipe	102-0012-015r001_Jan06_2014.pdf
Fire Hydrant Standard Locations	102-0012-016r001_Jan06_2014.pdf
Type 'C' Valve Box Top and Lid	102-0012-017r001_Jan12_2016.pdf
Type 'C' Lifter Rings	102-0012-018r001_Jan12_2016.pdf

SERVICE CONNECTIONS

Typ. Sewer & Polyethylene Water Service Connection	102-0013-001r005_Jan04_2013.pdf
Typ. Sewer & Copper Water Service Connection	102-0013-002r005_Jan06_2014.pdf
Typical Duplex Water & Sewer Service Connection	102-0013-003r001_Jan04_2005.pdf
Interior Drop Structure at Sanitary Sewer Manhole	102-0013-004r003_Jan02_2015.pdf
Typical Sewer Service Cleanout	102-0013-005r001_Jan04_2005.pdf
Typical Sewer Tapping	102-0013-007r002_Jan02_2015.pdf
PVC Service Connection Riser Assembly	102-0013-008r001_Jan04_2005.pdf
100mm Water Service Seasonal Connection	102-0013-009r001_Jan04_2005.pdf
50mm Water Service Seasonal Connection	102-0013-010r001_Jan04_2005.pdf
15mm Spindle Details	102-0013-013r003_Jan31_2017.pdf
19mm Spindle Details	102-0013-015r003_Jan31_2017.pdf
PVC Service Connection Vertical Riser Assembly (Reconstruction Only)	102-0013-016r001_Dec22_2009.pdf
Standard Curb Box	102-0013-017r002_Jan31_2017.pdf
Service Box Top	102-0013-018r001_Jan12_2016.pdf
Standard Curb Box Cap	102-0013-019r001_Jan12_2016.pdf

CATHODIC PROTECTION

Multiple Impressed Current Anode Ground Bed Vertical Installation	102-0014-001r001_Jan04_2005.pdf
Multiple Impressed Current Anode Ground Bed Horizontal Installation	102-0014-002r001_Jan04_2005.pdf

PARKING

Type 1 Parking Meter Installation	102-0015-001r002_Dec23_2008.pdf
Type 2 Parking Meter Installation	102-0015-002r002_Mar02_2006.pdf
Type 3 Parking Meter Installation	102-0015-003r002_Dec23_2008.pdf

TRAFFIC SIGNALS

Traffic Signal Conduit Junction Box Installation	102-0016-019r004_Mar16_2011.pdf
Specifications for Pre-Cast Traffic Signal Pole Base	102-0016-020r004_Mar16_2011.pdf
Specifications for Traffic Signal Corridor Pole	102-0016-021r001_Mar16_2011.pdf
Combination Street Light and Traffic Signal Pole	102-0016-022r002_Mar16_2011.pdf
Specifications for Traffic Signal Arms	102-0016-023r001_Mar16_2011.pdf
Specifications for Hand Hole Assembly	102-0016-025r001_Mar16_2011.pdf
Pre-Cast Pole Base Installation Details	102-0016-029r003_Apr03_2018.pdf
Trenching Installation Details	102-0016-032r002_Jan02_2015.pdf
Cast-In-Place Cabinet Base in Natural Ground	
Installation Details	102-0016-033r003_Jan05_2012.pdf
Service Pedestal Installation Details	102-0016-034r002_Mar16_2011.pdf
Cast-In-Place Cabinet Base in Sidewalk	
Installation Details	102-0016-039r001_Mar16_2011.pdf

SIGNAGE

Adapter Plate for Roadside Guidesign	102-0017-010r003_Jan04_2005.pdf
Concrete Base for Roadside Guidesign	102-0017-011r001_Jan04_2005.pdf
I-Beam for Roadside Guidesign	102-0017-012r003_Jan04_2005.pdf
Bolt Assembly I-Beam to Adapter Plate for Ground	
Mounted Signs	102-0017-013r002_Dec06_2006.pdf
I-Beam for Median Guidesign	102-0017-015r001_Jan04_2005.pdf
Pavement Marking Test Section Sign Details	102-0017-016r001_Jan04_2005.pdf
Advance Warning Flasher Structure Pile and Anchor	
Bolt Template	102-0017-017r001_Jan04_2005.pdf
Temporary Sign Base	102-0017-031r002_Mar16_2011.pdf

STORM SEWER

Grating for Concrete Endwall Pipe Diameter up to 1200mm	102-0018-001r001_Jan04_2005.pdf
Grating for Concrete Endwall Pipe Diameter 1350mm	
to 1800mm	102-0018-002r001_Jan04_2005.pdf
Standard Handrail	102-0018-003r001_Jan04_2005.pdf
Standard Riprap Detail	102-0018-004r001_Jan04_2005.pdf
Storm Sewer Outfall	102-0018-005r001_Jan04_2005.pdf
Storm Sewer Outfall Reinforcement Details	102-0018-006r001_Jan04_2005.pdf
Handrail Details	102-0018-007r001_Jan04_2005.pdf
Standard Ditch Crossing Culvert Requirements	102-0018-009r002_Apr03_2018.pdf
Stormwater Storage Basin Cross Sections	102-0018-010r001_Jan04_2013.pdf

TRENCHING

Keying of Trench	102-0019-001r002_Jan02_2015.pdf
------------------	---------------------------------

BERMS

Typical Berm Requirements	102-0021-001r003_Jan12_2016.pdf
---------------------------	---------------------------------

LOT DRAINAGE

Easement Grading Back Yard	102-0022-003r001_Jan04_2005.pdf
Easement Grading Side Yard Grading	102-0022-004r001_Jan04_2005.pdf
Drainage Swale Back of Lot, 1 of 2	102-0022-005r001_Jan04_2005.pdf
Grade Markers Electrical Kiosk	102-0022-006r001_Jan04_2005.pdf
Drainage Swale Back of Lot, 2 of 2	102-0022-007r001_Jan04_2005.pdf
Grade Markers Electrical Kiosk	102-0022-008r001_Jan04_2005.pdf
C.O.S. Lot Grade Markers Construction and Placement	102-0022-009r002_Jan04_2005.pdf

Drainage Improvement	102-0022-010r001_Jan04_2005.pdf
Side Yard Drainage Swale	102-0022-012r001_Dec22_2010.pdf
Lot Grading Transition Lot Type A/D & D/A	102-0022-013r001_Dec22_2010.pdf
Lot Grading Transition Lot Type D/C & C/D	102-0022-014r001_Dec22_2010.pdf
Lot Grading Transition Lot Type D/E & E/D	102-0022-015r001_Dec22_2010.pdf
Lot Grading Type A	102-0022-016r001_Dec22_2010.pdf
Lot Grading Type D	102-0022-017r001_Dec22_2010.pdf
Lot Grading Type C	102-0022-018r001_Dec22_2010.pdf
Lot Grading Type E	102-0022-019r001_Dec22_2010.pdf
Lot Grading Transition Lot Type C/E & E/C	102-0022-021r001_Jan05_2012.pdf
Side Yard Typical Concrete Drainage Swale	102-0022-022r002_Jan04_2013.pdf
Back Yard Typical Concrete Drainage Swale	102-0022-023r002_Jan04_2013.pdf

SUMP DETAILS

Sump with Pumped Discharge to Surface	102-0025-001r004_Jan04_2005.pdf
Sump with Pumped Discharge to Storm Sewer	102-0025-002r004_Jan04_2005.pdf
Sump Pump Retrofit #1	102-0025-003r001_Jan04_2005.pdf
Sump Pump Retrofit #2 Sump With Pumped Discharge to Surface Plus Backflow Prevention	102-0025-004r001_Jan04_2005.pdf

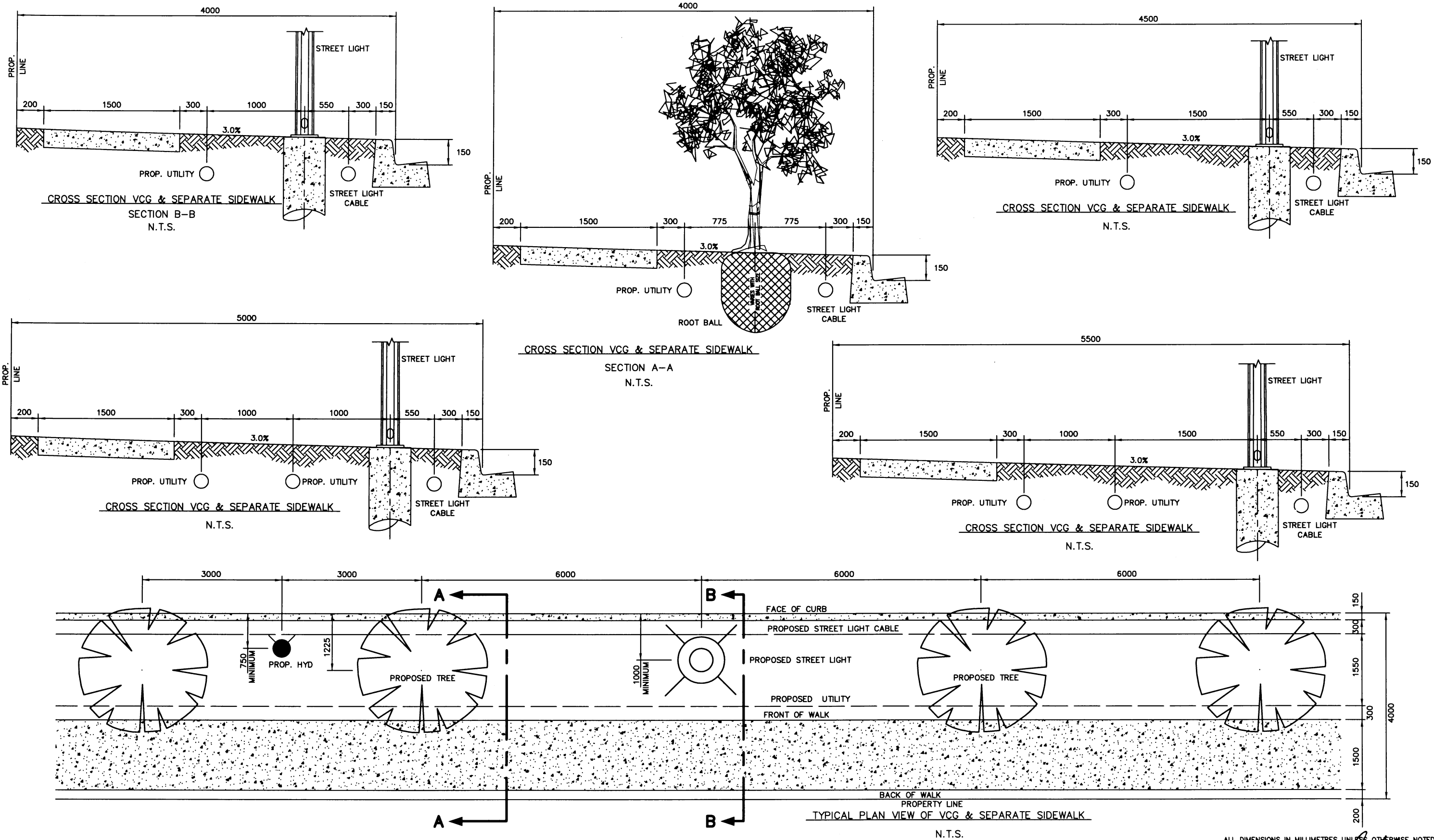
CROSSWALKS

Crosswalk Pavement Markings	102-0028-001r002_Apr07_2006.pdf
Required Permanent Markings at Intersections	102-0028-008r001_Apr07_2006.pdf
Required Permanent Markings at Chevrons	102-0028-009r001_Apr07_2006.pdf

GEOMETRICS/CHANNELIZATION

Channelized Intersection Design Standards	102-0029-001r005_Jan02_2015.pdf
Freeway / Expressway Urban Cross Section	102-0029-002r003_Jan12_2016.pdf
Freeway / Expressway Rural Cross Section	102-0029-003r002_Jan02_2015.pdf
Arterial Class 'A'	102-0029-004r003_Jan12_2016.pdf
Arterial Class 'B'	102-0029-005r003_Jan12_2016.pdf
Arterial Class 'C'	102-0029-006r003_Jan12_2016.pdf
Industrial Roadway	102-0029-007r003_Jan12_2016.pdf
Collector Class 'A'	102-0029-008r003_Jan12_2016.pdf
Collector Class 'B'	102-0029-009r003_Jan12_2016.pdf
Collector Class 'C'	102-0029-010r003_Jan12_2016.pdf
Local Class 'A';	102-0029-011r003_Jan12_2016.pdf
Local Class 'B' Length of 500m or Less	102-0029-012r003_Jan12_2016.pdf
Bikeways Class A, B, C	102-0029-013r001_Dec22_2009.pdf

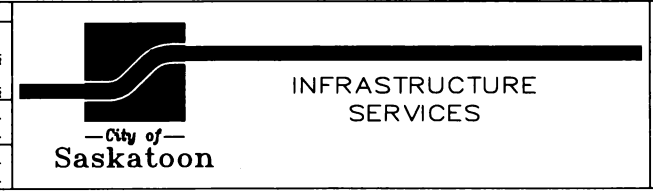
Bus Bay Turnout	102-0029-014r001_Dec22_2009.pdf
Local Class 'C' Cul-De-Sac	102-0029-016r003_Jan12_2016.pdf
Roundabout Functional Design Local Class 'A'	102-0029-017r001_Jan05_2012.pdf
Roundabout Detailed Design Local Class 'A'	102-0029-018r001_Jan05_2012.pdf
Roundabout Sight Lines Design Local Class 'A'	102-0029-019r001_Jan05_2012.pdf
Roundabout Operating Speeds Design Local Class 'A'	102-0029-020r001_Jan05_2012.pdf
Roundabout Functional Design Collector Class 'A' / Local Class 'A'	102-0029-021r001_Jan05_2012.pdf
Roundabout Detailed Design Collector Class 'A' / Local Class 'A'	102-0029-022r001_Jan05_2012.pdf
Roundabout Sight Lines Design Collector Class 'A' / Local Class 'A'	102-0029-023r001_Jan05_2012.pdf
Roundabout Operating Speeds Design Collector Class 'A' / Local Class 'A'	102-0029-024r001_Jan05_2012.pdf
Design Vehicles for Arterials, Expressways, Freeways & Highway Geometric Design	102-0029-026r001_Jan04_2013.pdf
Standard Neighborhood Entrances	102-0029-027r002_Jan02_2015.pdf
Design Vehicle for Collectors and Roundabouts	102-0029-031r001_Jan04_2013.pdf
Class B Arterial Staging Options	102-0029-032r002_Jan02_2015.pdf
Cul-De-Sac Parameters – Residential, Commercial and Industrial Roadways	102-0029-035r001_Jan12_2016.pdf
Alternative Median Barrier Treatment Semi Urban Cross Section With Drainage Layer	102-0029-043r002_Jan12_2016.pdf
Freeway / Expressway Rural Cross Section With Drainage Layer	102-0029-044r002_Jan12_2016.pdf
Typical Road and Back Lane Subdrainage Details	102-0029-045r002_Jan12_2016.pdf
STREET FIXTURES	
Bicycle Stand Surface Mount Installation	102-0038-001r001_Jan04_2013.pdf
Freeway / Expressway Urban Cross Section	102-0038-002r001_Jan04_2013.pdf



ALL DIMENSIONS IN MILLIMETRES UNLESS OTHERWISE NOTED

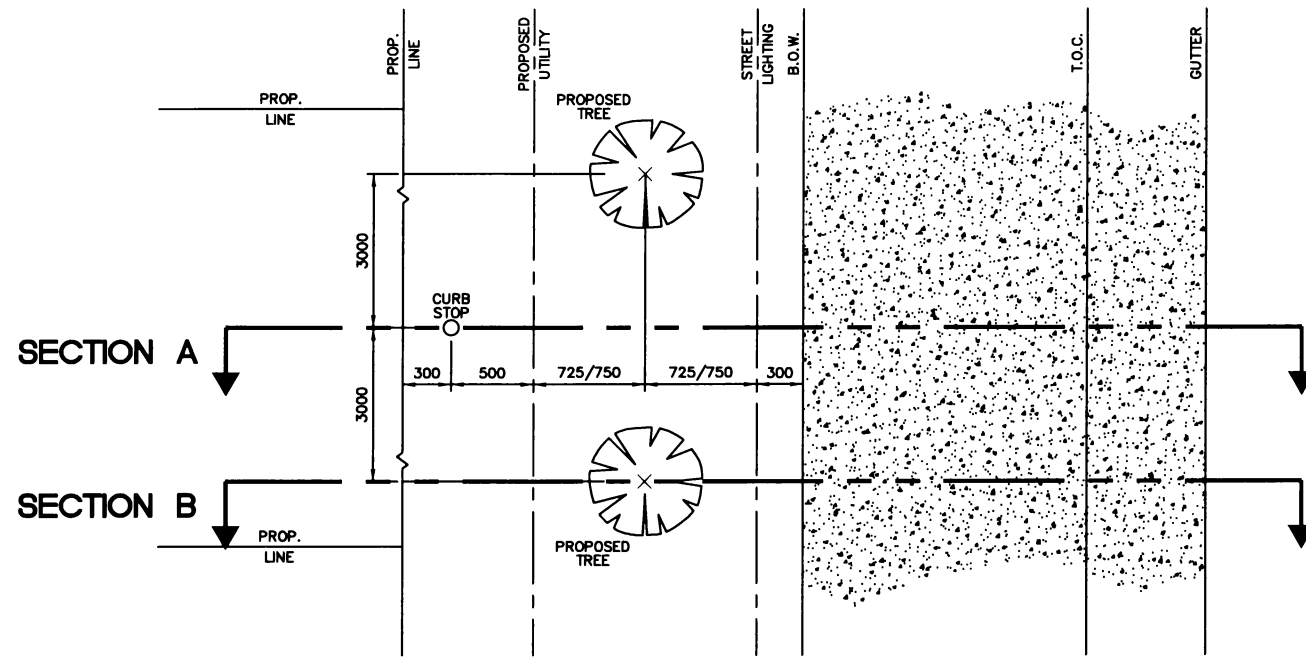
11					
10					
9					
8					
7					
6					
5					
4					
3					
2					
1	BASE PLAN				
	DESCRIPTION	DATE	NO.	REVISIONS	DATE BY

STAMP		MUNICIPAL ENGINEERING		PUBLIC WORKS	
		<i>A. Boyle</i>			
ENGINEER		ENGINEER		ENGINEER	
ENGINEER		ENGINEER		ENGINEER	
DRAWN BY _____		DRAWN BY RBY		DRAWN BY _____	
DATE _____		DATE 2002-02-12		DATE _____	
CHECKED BY _____		CHECKED BY _____		CHECKED BY _____	
DATE _____		DATE _____		DATE _____	



CROSS SECTION VCG & SEPARATE SIDEWALK
CONSTRUCTION DETAILS

GENERIC MANAGER	<i>[Signature]</i>	SHEET NO.
SCALE: HOR.	N.T.S.	DATE
SCALE: VERT.		
PLAN NO.	102-0001-002r001	



PLAN VIEW - TREE & UTILITY SPACING
4.0m BOULEVARD WITH COMBINED WALK & ROLLED/VERTICAL CURB
 N.T.S.

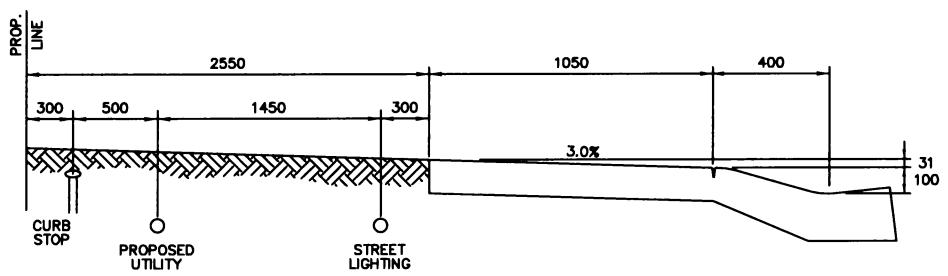
SECTION A

SECTION A

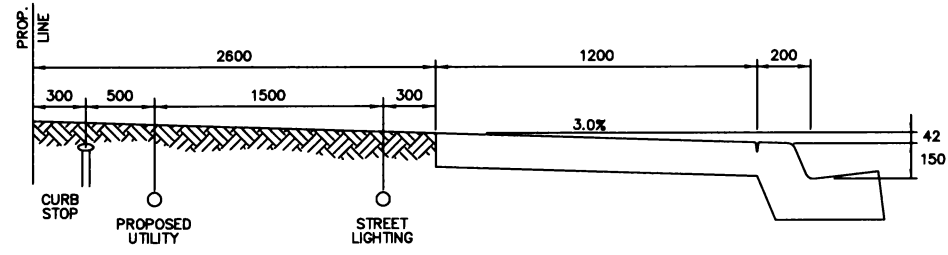
SECTION B

SECTION B

SECTION A



CROSS SECTION TYPICAL ROLLED CURB AND COMBINED WALK
18.0m R.O.W. - 10.0m ROAD - 4.0m BLVD
 N.T.S.

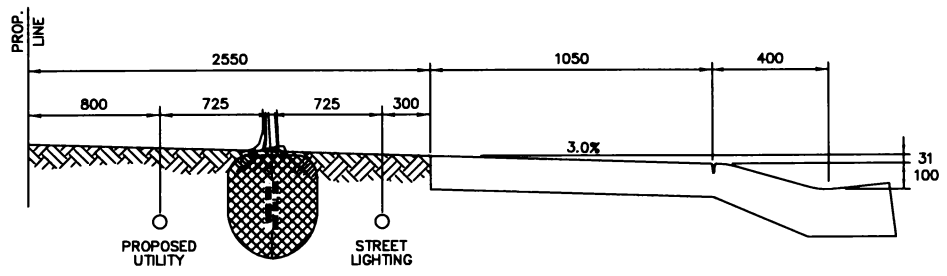


CROSS SECTION TYPICAL VERTICAL CURB AND COMBINED WALK
18.0m R.O.W. - 10.0m ROAD - 4.0m BLVD
 N.T.S.

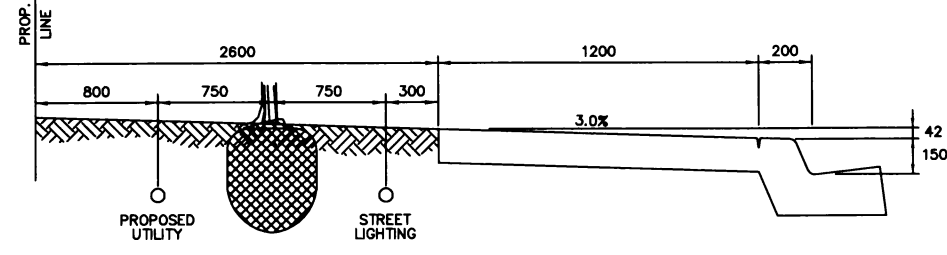
NOTE:

1. UTILITIES MAY BE PLACED IN THE ROADWAY ALONG 15.0m R.O.W. STREET FRONTS FOR LOOPING SYSTEMS & WHEN REAR YARD CONSTRUCTION IS NOT AVAILABLE.
2. ON 15.0m R.O.W. STREETS WITH 2.5m OR 3.0m BOULEVARDS, UTILITIES WILL BE PLACED ALONG THE LOT FLANKAGE IF REQUIRED, AND TREES WILL **NOT** BE PLANTED WHERE UTILITIES ARE PLACED ALONG FLANKAGE.
3. IF STREET LIGHTING IS NOT REQUIRED ON STREET FRONT THEN OTHER UTILITY MAY BE PLACED.

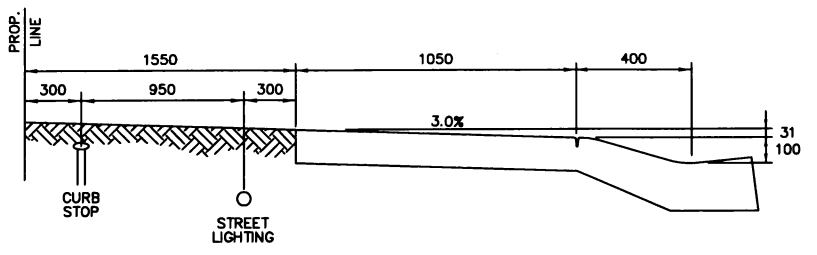
SECTION B



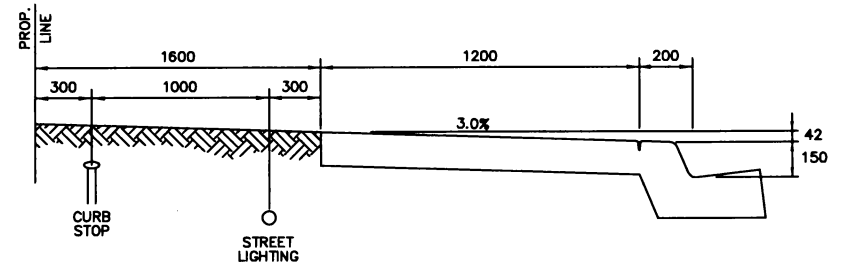
CROSS SECTION TYPICAL ROLLED CURB AND COMBINED WALK
18.0m R.O.W. - 10.0m ROAD - 4.0m BLVD
 N.T.S.



CROSS SECTION TYPICAL VERTICAL CURB AND COMBINED WALK
18.0m R.O.W. - 10.0m ROAD - 4.0m BLVD
 N.T.S.



CROSS SECTION TYPICAL ROLLED CURB AND COMBINED WALK
15.0m R.O.W. - 9.0m ROAD - 3.0m BLVD
 N.T.S.



CROSS SECTION TYPICAL VERTICAL CURB AND COMBINED WALK
15.0m R.O.W. - 9.0m ROAD - 3.0m BLVD
 N.T.S.

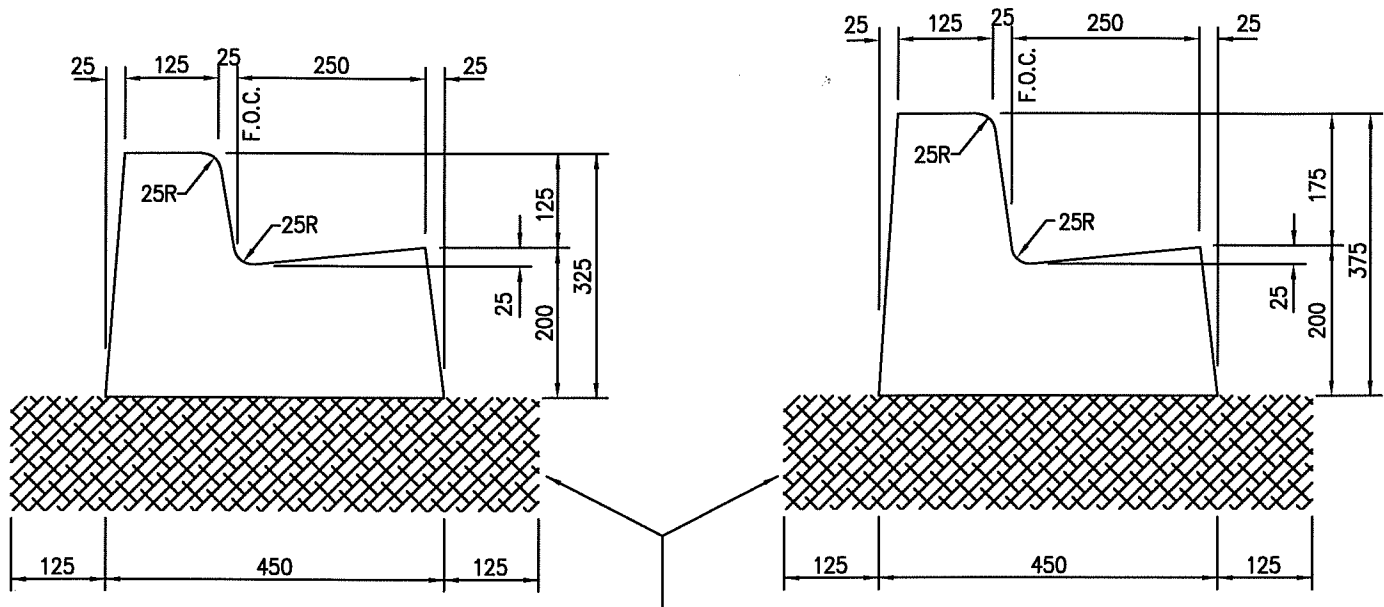
11					
10					
9					
8					
7					
6					
5					
4					
3					
2					
1	BASE PLAN				
	DESCRIPTION	DATE	NO.	REVISIONS	DATE BY

STAMP	MUNICIPAL ENGINEERING	PUBLIC WORKS
	<i>A. Boulo</i>	
ENGINEER	ENGINEER	ENGINEER
ENGINEER	ENGINEER	ENGINEER
DRAWN BY	DRAWN BY MRH	DRAWN BY
DATE	DATE 2003-03-20	DATE
CHECKED BY	CHECKED BY	CHECKED BY
DATE	DATE	DATE



TYPICAL TREE & UTILITY PLACEMENT
 IN BOULEVARDS

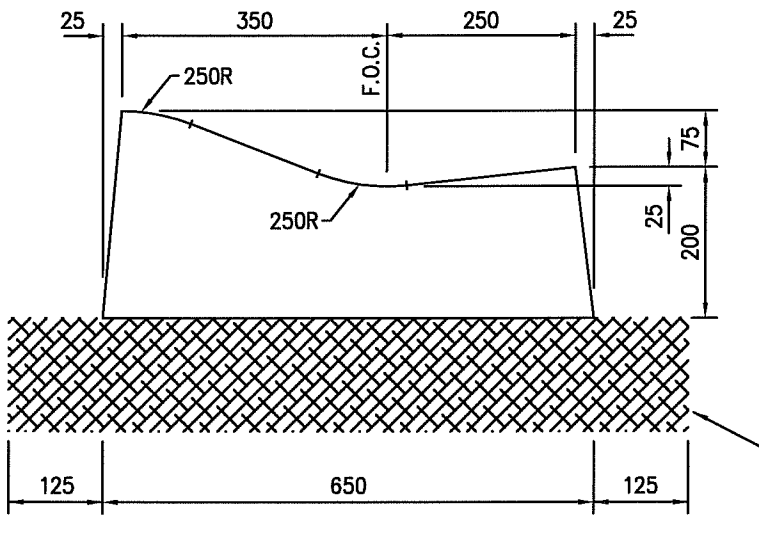
GENERAL MANAGER	<i>[Signature]</i>
DATE	
SHEET NO.	
SCALES:	
HOR. N.T.S.	
VERT. N.T.S.	
PLAN NO.	
102-0001-003r001	



150mm VERTICAL C&G

150mm GRADE CONSTRUCTION
 - GRAVEL BASE IN RECONSTRUCTION
 - COMPACTION IN NEW CONSTRUCTION

200mm VERTICAL C&G



ROLLED CURB & GUTTER

150mm GRADE CONSTRUCTION
 - GRAVEL BASE IN RECONSTRUCTION
 - COMPACTION IN NEW CONSTRUCTION

NOTES:

1. CONCRETE STANDARD:
32 MPa DURA-MIX CONCRETE
5-8% AIR AS PER SPEC.
2. COMPACTION STANDARD:
98% STANDARD PROCTOR AS PER SPEC.
3. BROOM FINISH TOP & FACE OF CURB AND GUTTER LONGITUDINALLY
4. BROOM OVER ALL CONTROL JOINTS.
5. SPACING OF CONTROL JOINTS TO BE 1.5M

REVISIONS	
1	REMOVED CONCRETE SWALE HLO DEC 14, 2012
2	
3	

DRAWN BY R. OTTENBREIT
 DATE FEBRUARY 1, 1999

CHECKED BY _____
 DATE _____



**City of
Saskatoon**
 Infrastructure Services Department

FULL HEIGHT CURBS AND GUTTERS

APPROVED

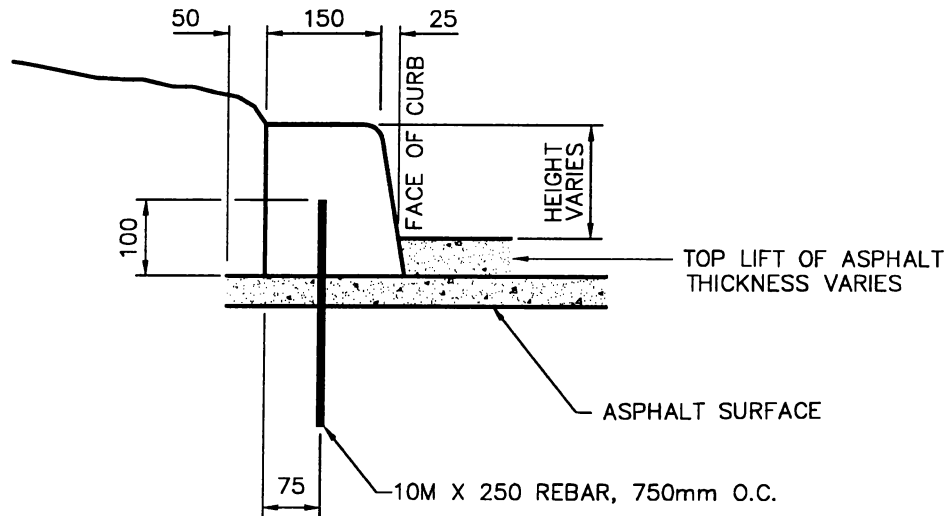
[Signature]
 GENERAL MANAGER P. ENG.

ENGINEER
[Signature]

ENGINEER
[Signature]


SCALES : HOR. 1:10 VERT. 1:10

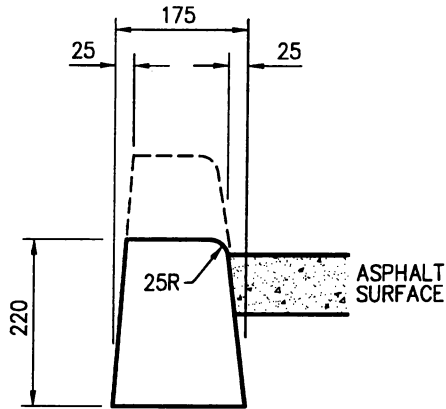
C-1 PLAN NO. 102-0002-001r002



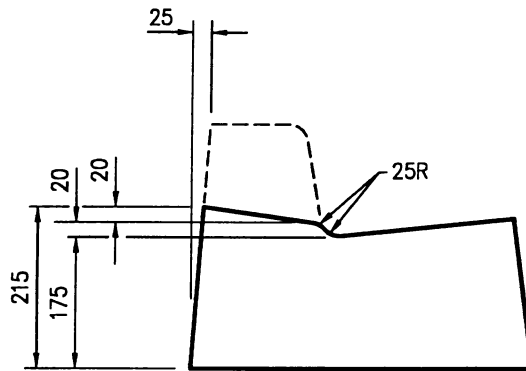
NOTES:

1. WHERE CURB IS PLACED ON TOP LIFT OF ASPHALT, THE TOTAL STRUCTURE HEIGHT WILL BE REDUCED TO MAINTAIN A 200mm FACE OF CURB. ALL OTHER DIMENSIONS TO REMAIN THE SAME.
2. CURB GRADE CAN BE ESTABLISHED INDEPENDENTLY OF THE BOTTOM LIFT ELEVATIONS.
3. CONTROL JOINTS EVERY 1500mm.
4. REBAR TO BE STAINLESS STEEL, EPOXY COATED, OR GALVANIZED. (EPOXY CAN NOT BE DRIVEN.)
5. CONCRETE STANDARD:
32 MPa DURA-MIX CONCRETE, 5-8% AIR AS PER SPEC.
6. COMPACTION STANDARD:
98% STANDARD PROCTOR AS PER SPEC.
7. BROOM FINISH EXPOSED SURFACES LONGITUDINALLY.
8. BROOM OVER ALL CONTROL JOINTS.

<table border="1" style="width: 100%; border-collapse: collapse;"> <thead> <tr> <th colspan="2" style="text-align: center;">REVISIONS</th> </tr> </thead> <tbody> <tr> <td style="width: 5%; text-align: center;">1</td> <td style="width: 95%;"></td> </tr> <tr> <td style="text-align: center;">2</td> <td></td> </tr> <tr> <td style="text-align: center;">3</td> <td></td> </tr> </tbody> </table>	REVISIONS		1		2		3		 <p>CITY OF SASKATOON INFRASTRUCTURE SERVICES</p>	<p style="text-align: center;">APPROVED</p> <p style="text-align: center;"><i>[Signature]</i> GENERAL MANAGER P. ENG.</p> <p>ENGINEER <i>[Signature]</i> ENGINEER</p> <p>SCALES : HOR. 1:10 VERT. 1:10</p>
REVISIONS										
1										
2										
3										
<p>DRAWN BY <u>R. OTTENBREIT</u> DATE <u>FEBRUARY 1, 1999</u></p> <p>CHECKED BY _____ DATE _____</p>	<p>CURB ON ASPHALT</p>	<p>C-2 PLAN NO. 102-0002-002r001</p>								





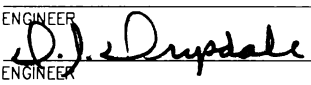
**150mm SEPARATE CURB
CROSSING SECTION**

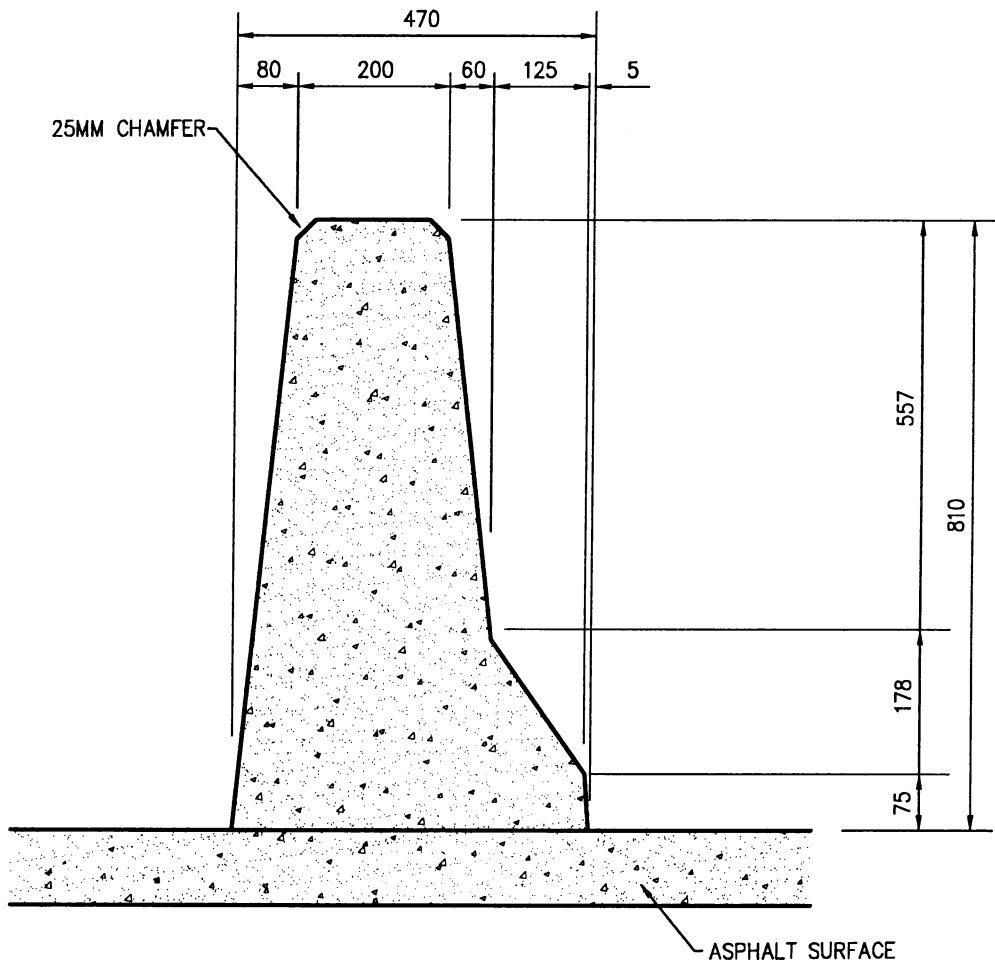


**VERTICAL CURB & GUTTER
CROSSING SECTION**

NOTES:


1. CONCRETE STANDARD:
32 MPa DURA-MIX CONCRETE
5-8% AIR AS PER SPEC.
2. COMPACTION STANDARD:
98% STANDARD PROCTOR AS PER SPEC.
3. STRAIGHT VERTICAL BACK OF CURB MAY
BE USED IN PLACE OF 25MM BATTER

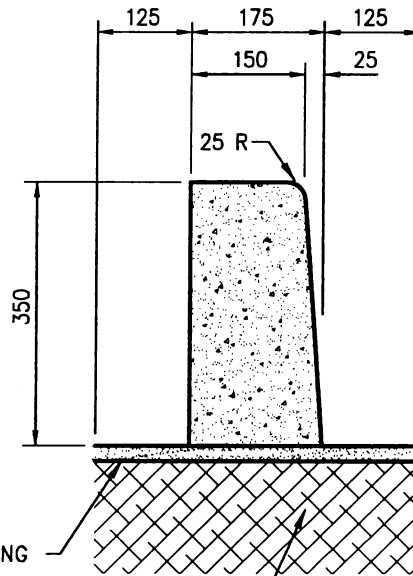
REVISIONS	 <p>CITY OF SASKATOON INFRASTRUCTURE SERVICES</p>	APPROVED
1		 GENERAL MANAGER P. ENG.
2		 ENGINEER
3		SCALES : HOR. 1:10 VERT. _____
DRAWN BY <u>R. OTTENBREIT</u> DATE <u>FEBRUARY 1, 1999</u>		SEPARATE DROPPED CURB CROSSINGS
CHECKED BY _____ DATE _____		C-3 PLAN NO. 102-0002-003r001



NOTES:

1. CONCRETE STANDARD:
32 MPa DURA-MIX CONCRETE
5-8% AIR AS PER SPEC.
2. COMPACTION STANDARD:
98% STANDARD PROCTOR AS PER SPEC.
3. SILANE SEALER TO BE APPLIED TO BARRIER SURFACE
4. CONTROL JOINTS TO BE CONSTRUCTED AT 2.5M SPACINGS

<p>REVISIONS</p> <table border="1" style="width: 100%; border-collapse: collapse;"> <tr><td style="width: 5%;">1</td><td style="width: 15%;"></td></tr> <tr><td>2</td><td></td></tr> <tr><td>3</td><td></td></tr> </table>	1		2		3		 <p>CITY OF SASKATOON INFRASTRUCTURE SERVICES</p>	<p>APPROVED</p> <p><i>[Signature]</i> GENERAL MANAGER P. ENG.</p>
1								
2								
3								
<p>DRAWN BY <u>R. OTTENBREIT</u> DATE <u>FEBRUARY 1, 1999</u></p> <p>CHECKED BY _____ DATE _____</p>	<p>810MM CONCRETE BARRIER CURB</p>	<p>ENGINEER <i>[Signature]</i> ENGINEER</p> <p>SCALES : HOR. <u>1:10</u> VERT. _____</p>						
	<p>C-4</p>	<p>PLAN NO. 102-0002-004r001</p>						




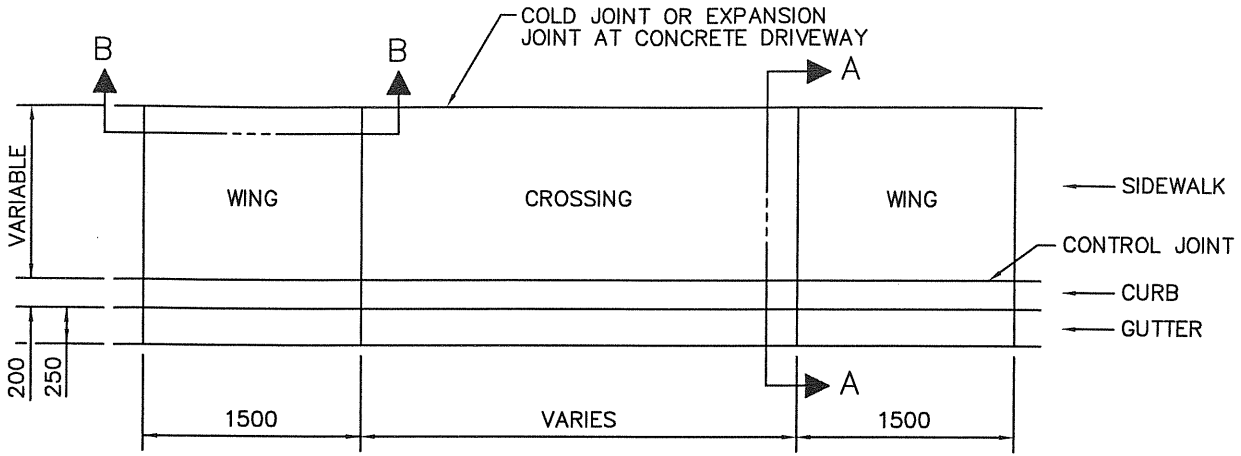
MAX. 20mm LEVELLING COURSE

150mm GRADE CONSTRUCTION
 - GRAVEL BASE IN RECONSTRUCTION
 - COMPACTION IN NEW CONSTRUCTION

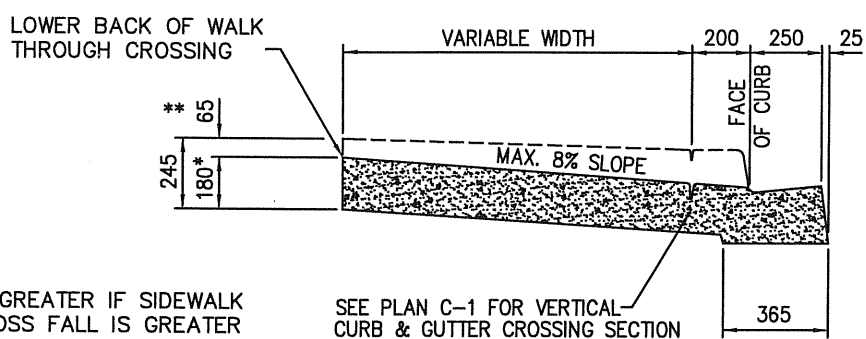
NOTES:

1. CONCRETE STANDARD:
32 MPa DURA-MIX CONCRETE
5-8% AIR AS PER SPEC.
2. COMPACTION STANDARD:
98% STANDARD PROCTOR AS PER SPEC.
3. BROOM FINISH TOP & FACE OF CURB AND GUTTER LONGITUDINALLY
4. BROOM OVER ALL CONTROL JOINTS.
5. SPACING OF CONTROL JOINTS TO BE 1.5M

REVISIONS	 <p>CITY OF SASKATOON INFRASTRUCTURE SERVICES</p>	<p>APPROVED</p> <p><i>[Signature]</i> GENERAL MANAGER P. ENG.</p>						
<table border="1" style="width: 100%; border-collapse: collapse;"> <tr><td style="width: 5%;">1</td><td style="width: 15%;"></td></tr> <tr><td>2</td><td></td></tr> <tr><td>3</td><td></td></tr> </table>	1		2		3		<p>SEPARATE VERTICAL CURB</p>	<p>ENGINEER <i>[Signature]</i> ENGINEER</p> <p>SCALES : HOR. 1:10 VERT. _____</p>
1								
2								
3								
<p>DRAWN BY <u>R. OTTENBREIT</u> DATE <u>FEBRUARY 1, 1999</u></p> <p>CHECKED BY _____ DATE _____</p>	<p>C-5</p>	<p>PLAN NO. 102-0002-005r001</p>						



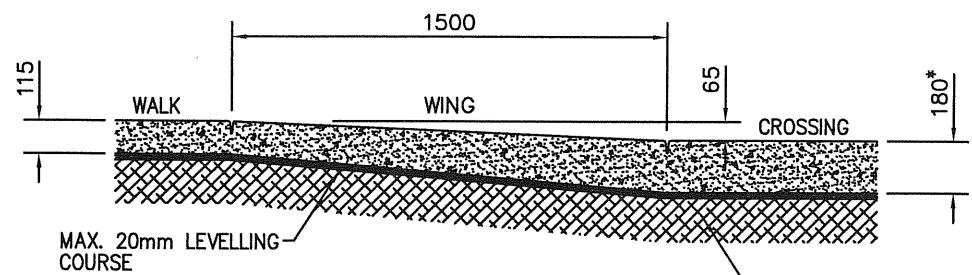
PLAN VIEW



SECTION A-A
- THROUGH CROSSING -

* 125mm MIN. THICKNESS REQUIRED FOR SINGLE FAMILY DWELLING CROSSING


** GREATER IF SIDEWALK CROSS FALL IS GREATER THAN 3%

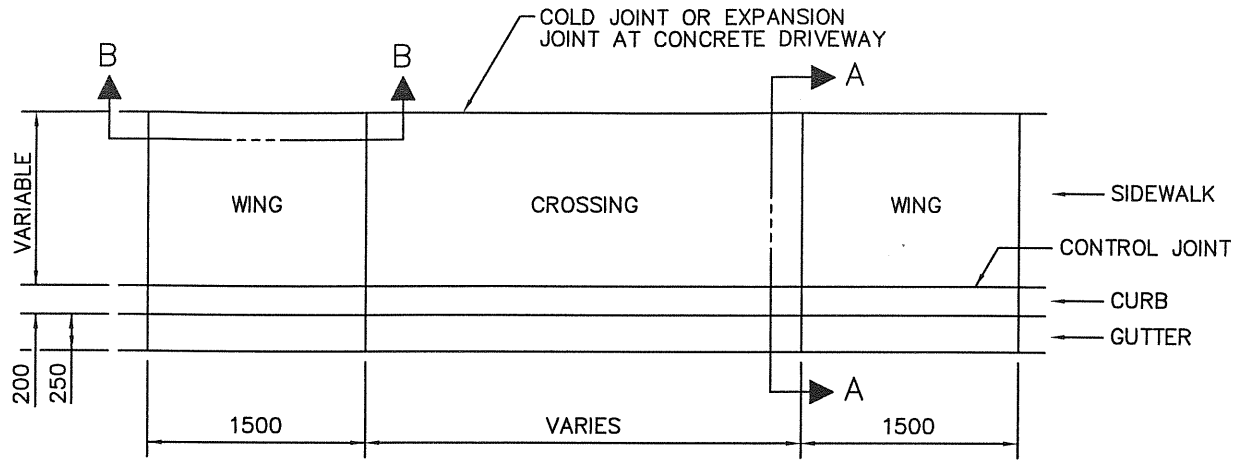


SECTION B-B
- AT BACK OF WING -

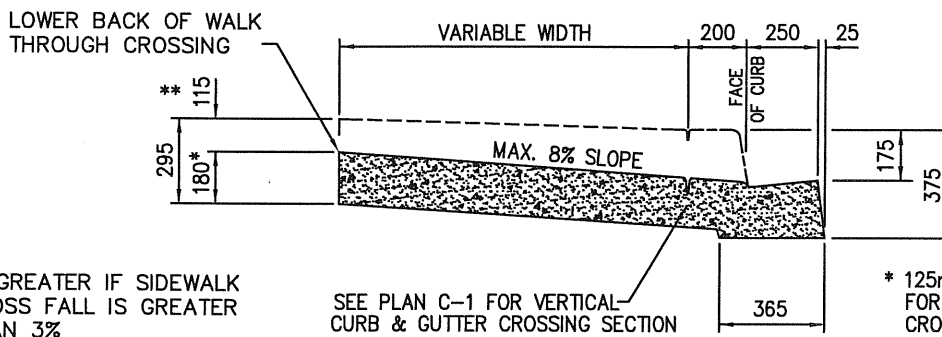
NOTES:

1. CONCRETE STANDARD:
32 MPa DURA-MIX CONCRETE
5-8% AIR AS PER SPEC.
2. COMPACTION STANDARD:
98% STANDARD PROCTOR AS PER SPEC.
3. BROOM FINISH WALK TRANSVERSELY.
BROOM FINISH CURB & GUTTER LONGITUDINALLY.
4. BROOM OVER ALL CONTROL JOINTS.
5. SPACING OF CONTROL JOINTS TO BE 1.5M

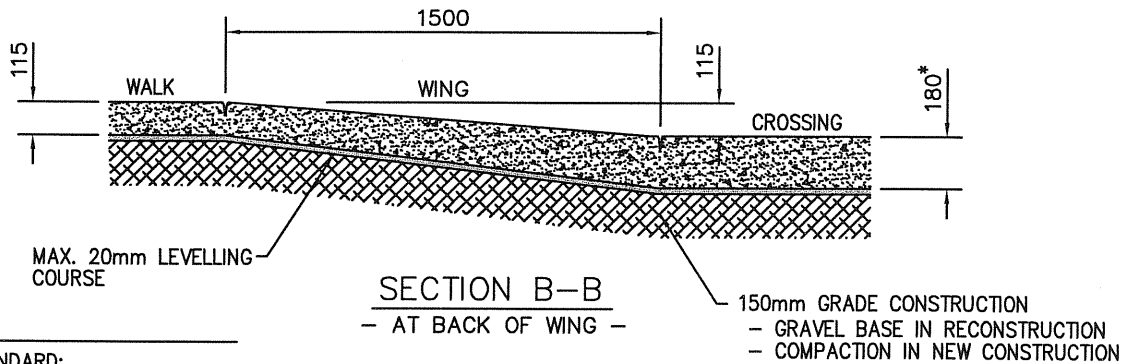
<p>REVISIONS</p> <table border="1"> <tr> <td>1</td> <td>VK 09-02-09</td> </tr> <tr> <td>2</td> <td></td> </tr> <tr> <td>3</td> <td></td> </tr> </table>		1	VK 09-02-09	2		3		 <p>INFRASTRUCTURE SERVICES</p>	<p>APPROVED</p> <p><i>M. [Signature]</i> GENERAL MANAGER P-ENG</p> <p><i>[Signature]</i> ENGINEER</p> <p><i>[Signature]</i> ENGINEER</p>	
1	VK 09-02-09									
2										
3										
<p>DRAWN BY R. OTTENBREIT DATE FEBRUARY 1, 1999</p> <p>CHECKED BY _____ DATE _____</p>		<p>CROSSING WALK, 150mm VERTICAL CURB & GUTTER</p> <p>SCALES : HOR. 1:50 VERT. 1:25</p>								
		CR-1	PLAN NO. 102-0002-006r002							



PLAN VIEW



SECTION A-A
- THROUGH CROSSING -



SECTION B-B
- AT BACK OF WING -

NOTES:

1. CONCRETE STANDARD:
32 MPa DURA-MIX CONCRETE
5-8% AIR AS PER SPEC.
2. COMPACTION STANDARD:
98% STANDARD PROCTOR AS PER SPEC.
3. BROOM FINISH WALK TRANSVERSELY.
BROOM FINISH CURB & GUTTER LONGITUDINALLY.
4. BROOM OVER ALL CONTROL JOINTS.
5. SPACING OF CONTROL JOINTS TO BE 1.5M

REVISIONS

1	VK 09-02-09
2	
3	



APPROVED

Steve Rosen
GENERAL MANAGER P. ENG.
[Signature]
ENGINEER
[Signature]
ENGINEER

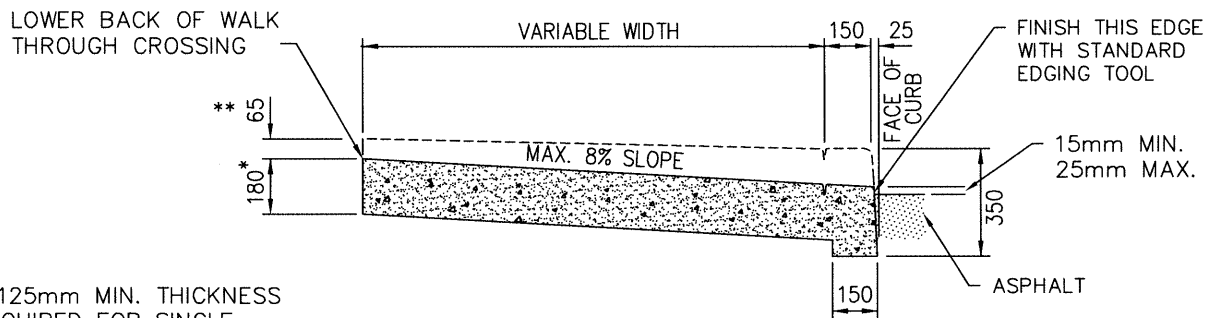
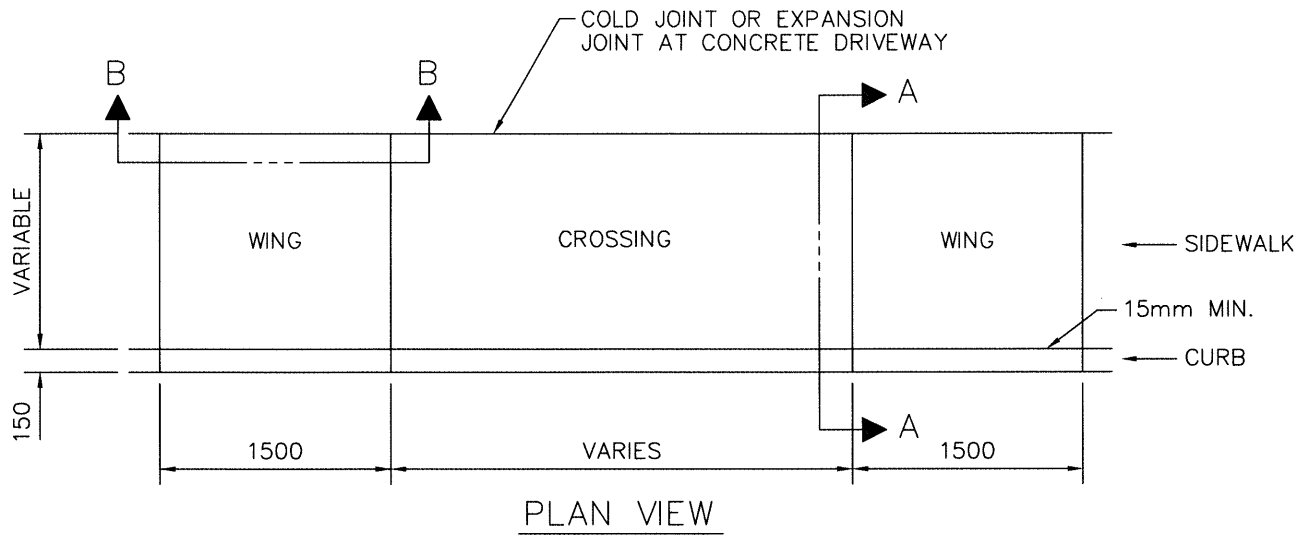
DRAWN BY R. OTTENBREIT
DATE FEBRUARY 1, 1999

CHECKED BY _____
DATE _____

CROSSING
WALK, 200mm VERTICAL CURB
& GUTTER

SCALES :
HOR. 1:50 VERT. 1:25

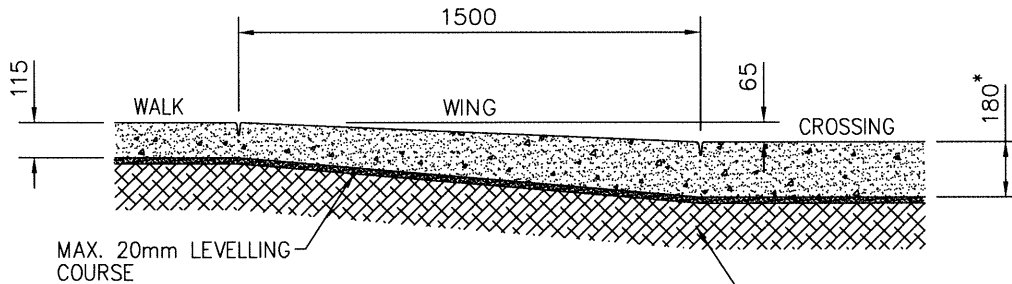
CR-2 PLAN NO. 102-0002-007r002



* 125mm MIN. THICKNESS REQUIRED FOR SINGLE FAMILY DWELLING CROSSING

** GREATER IF SIDEWALK CROSS FALL IS GREATER THAN 8%

SECTION A-A
- THROUGH CROSSING -



150mm GRADE CONSTRUCTION
- GRAVEL BASE IN RECONSTRUCTION
- COMPACTION IN NEW CONSTRUCTION

NOTES:

1. CONCRETE STANDARD:
32 MPa DURA-MIX CONCRETE
5-8% AIR AS PER SPEC.
2. COMPACTION STANDARD:
98% STANDARD PROCTOR AS PER SPEC.
3. BROOM FINISH WALK TRANSVERSELY.
BROOM FINISH CURB & GUTTER LONGITUDINALLY.
4. BROOM OVER ALL CONTROL JOINTS.
5. SPACING OF CONTROL JOINTS TO BE 1.5M

SECTION B-B
- AT BACK OF WING -

REVISIONS	
1	VK 09-02-09
2	REVISED DETAILS AT FACE OF CURB 2015-NOV-27 HLO
3	



City of Saskatoon
Transportation & Utilities Department

[Signature]
CHIEF ENGINEER
DATE **JAN 08 2016**

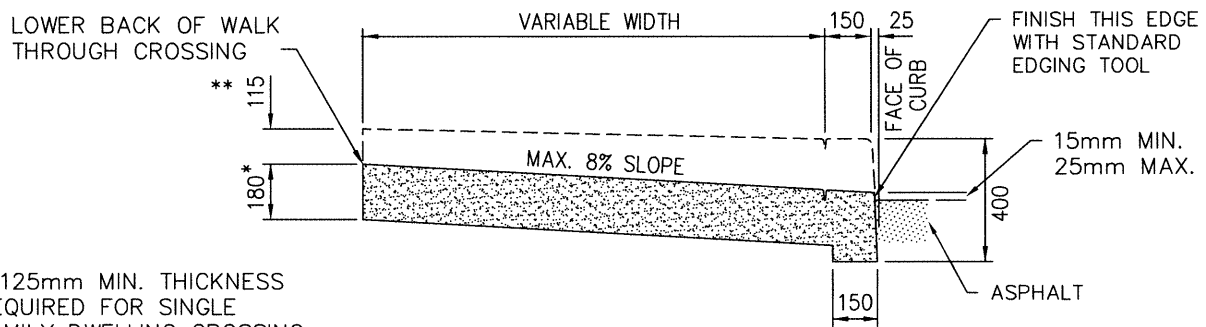
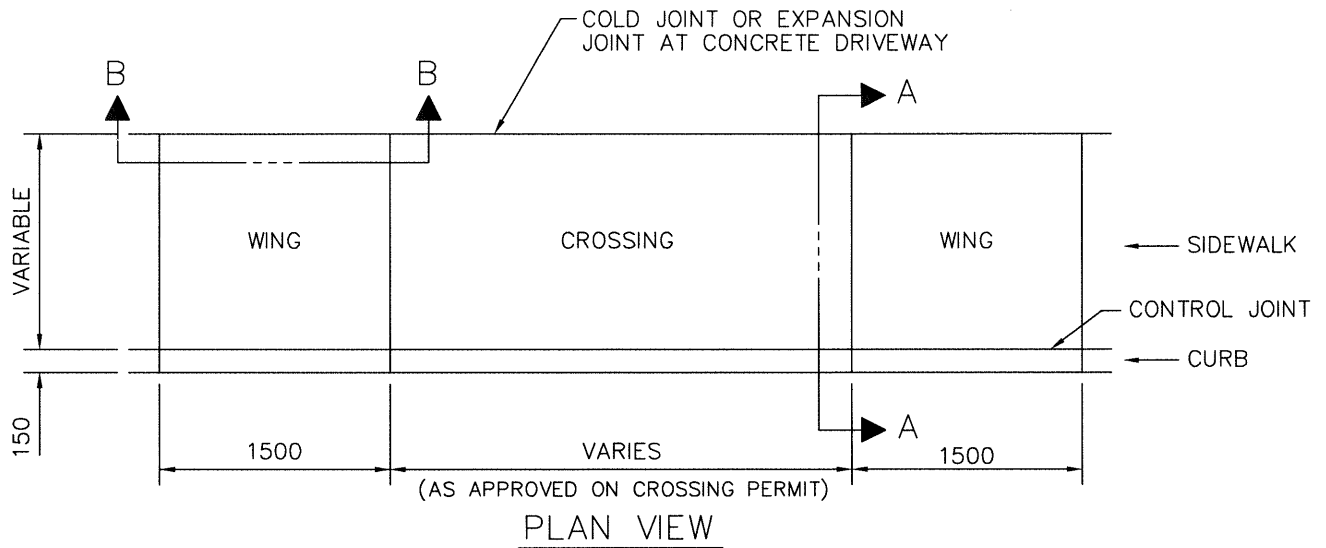
[Signature]
ENGINEER
DATE **JAN 08 2016**

DRAWN BY R. OTTENBREIT
DATE FEBRUARY 1, 1999

SCALES :
HOR. 1:50 VERT. 1:25

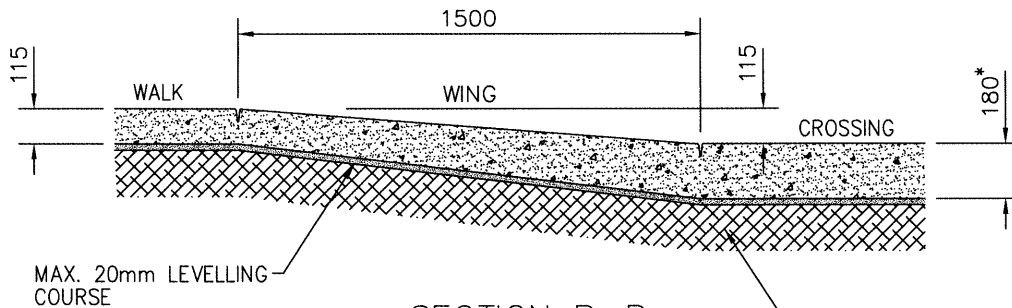
CROSSING
WALK & 150mm VERTICAL CURB

PLAN NO. 102-0002-008r003



* 125mm MIN. THICKNESS REQUIRED FOR SINGLE FAMILY DWELLING CROSSING

** GREATER IF SIDEWALK CROSS FALL IS GREATER THAN 8%



NOTES:

1. CONCRETE STANDARD:
32 MPa DURA-MIX CONCRETE
5-8% AIR AS PER SPEC.
2. COMPACTION STANDARD:
98% STANDARD PROCTOR AS PER SPEC.
3. BROOM FINISH WALK TRANSVERSELY.
BROOM FINISH CURB & GUTTER LONGITUDINALLY.
4. BROOM OVER ALL CONTROL JOINTS.
5. SPACING OF CONTROL JOINTS TO BE 1.5M

REVISIONS	
1	VK 09-02-09
2	REVISED DETAILS AT FACE OF CURB 2015-NOV-27 HLO
3	



City of Saskatoon
Transportation & Utilities Department

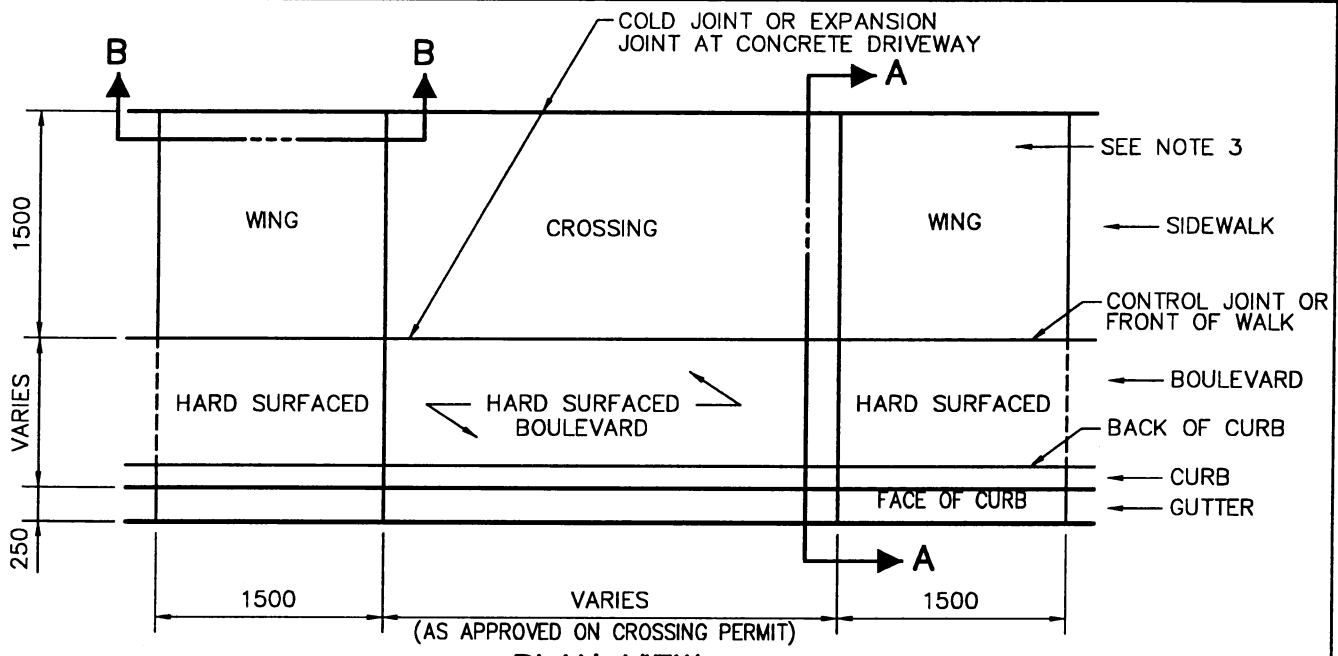
[Signature]
CHIEF ENGINEER
DATE IAN 08 2016

[Signature]
ENGINEER
DATE IAN 08 2016

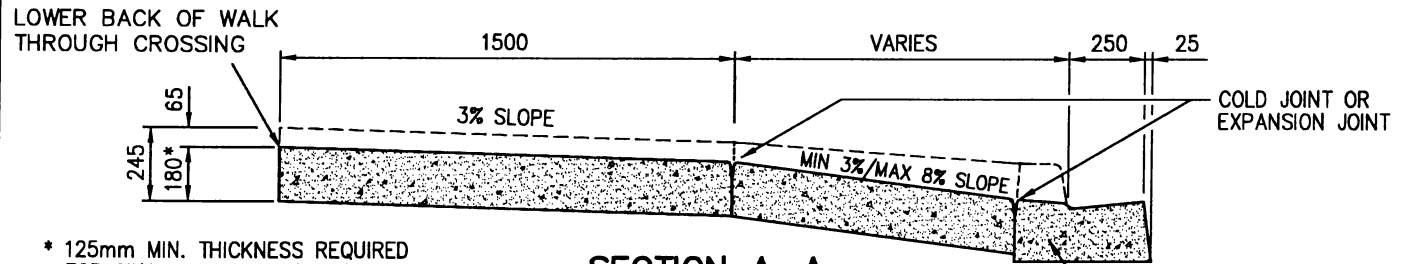
DRAWN BY R. OTTENBREIT
DATE FEBRUARY 1, 1999
SCALES :
HOR. 1:50 VERT. 1:25

CROSSING
WALK & 200mm VERTICAL CURB

PLAN NO. 102-0002-009r003



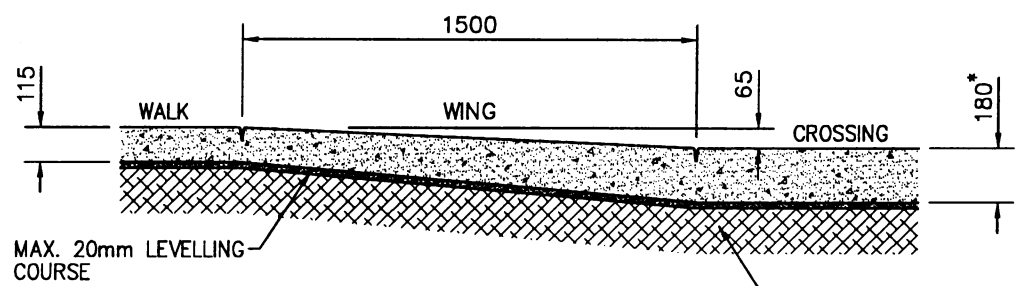
PLAN VIEW



SECTION A-A
- THROUGH CROSSING -

* 125mm MIN. THICKNESS REQUIRED FOR SINGLE FAMILY DWELLING CROSSING

SEE PLAN C-3 FOR VERTICAL CURB & GUTTER CROSSING SECTION



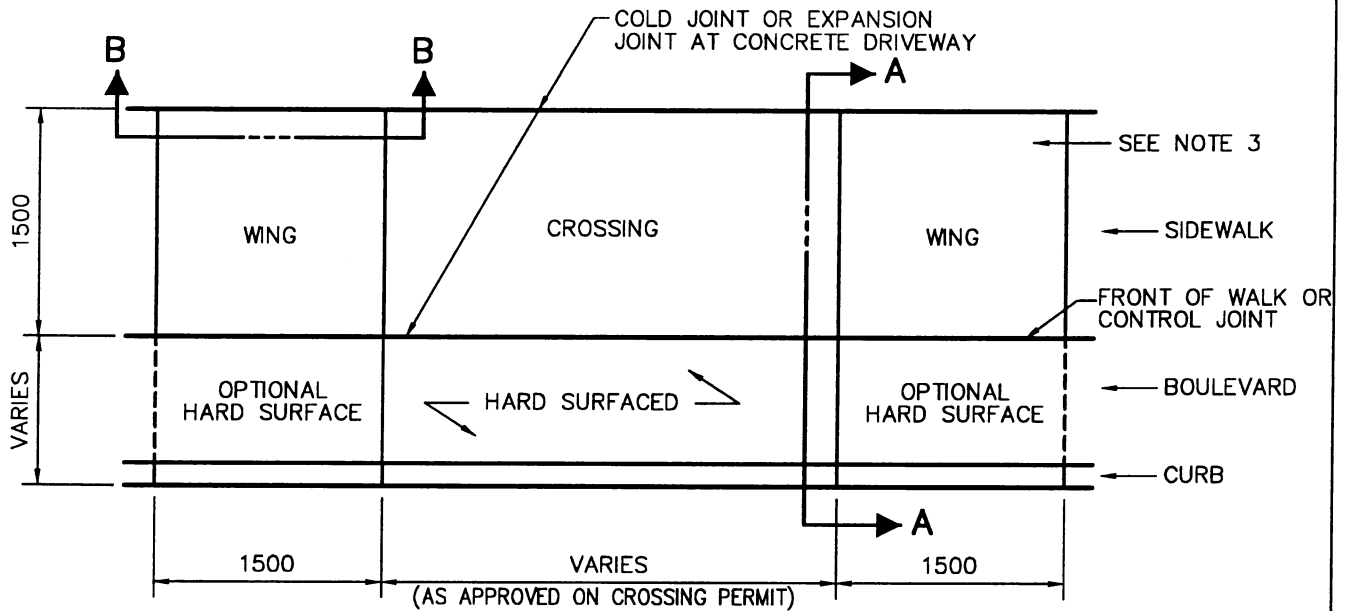
SECTION B-B
- AT BACK OF WING -

150mm GRADE CONSTRUCTION
- GRAVEL BASE IN RECONSTRUCTION
- COMPACTION IN NEW CONSTRUCTION

NOTES:

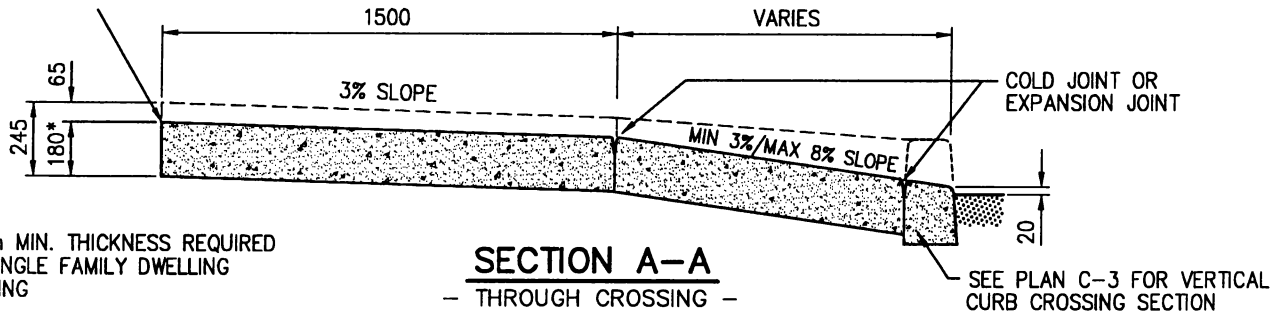
1. CONCRETE STANDARD: 32 MPa DURA-MIX CONCRETE, 5-8% AIR AS PER SPEC.
2. COMPACTION STANDARD: 98% STANDARD PROCTOR AS PER SPEC.
3. WINGS ARE OPTIONAL TO DEPRESS THE CROSSING TO REDUCE HARD SURFACED BOULEVARD SLOPE, AT OWNERS DISCRETION. REQUIRES APPROVAL OF ENGINEER.
4. BROOM FINISH WALK TRANSVERSELY. BROOM FINISH CURB & GUTTER LONGITUDINALLY.
5. BROOM OVER ALL CONTROL JOINTS.
6. SPACING OF CONTROL JOINTS TO BE 1.5M

<p>REVISIONS</p> <table border="1" style="width: 100%; border-collapse: collapse;"> <tr><td style="width: 5%;">1</td><td></td></tr> <tr><td>2</td><td></td></tr> <tr><td>3</td><td></td></tr> </table>	1		2		3		<p>CITY OF SASKATOON INFRASTRUCTURE SERVICES</p>	<p>APPROVED</p> <p><i>[Signature]</i> GENERAL MANAGER P. ENG.</p> <p>ENGINEER <i>[Signature]</i></p> <p>ENGINEER <i>[Signature]</i></p> <p>SCALES : HOR. 1:50 VERT. 1:25</p>
1								
2								
3								
<p>DRAWN BY <u>R. OTTENBREIT</u> DATE <u>FEBRUARY 1, 1999</u></p> <p>CHECKED BY _____ DATE _____</p>	<p>CROSSING SEPARATE WALK VERTICAL CURB & GUTTER</p>	<p>CR-5 PLAN NO. 102-0002-010r001</p>						



PLAN VIEW

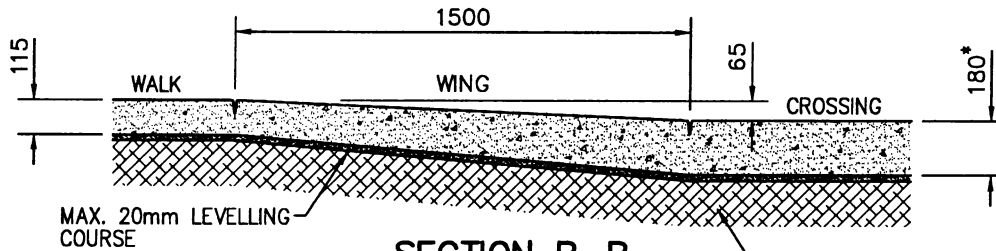
LOWER BACK OF WALK THROUGH CROSSING



* 125mm MIN. THICKNESS REQUIRED FOR SINGLE FAMILY DWELLING CROSSING

SECTION A-A

- THROUGH CROSSING -



SECTION B-B

- AT BACK OF WALK -

150mm GRADE CONSTRUCTION
- GRAVEL BASE IN RECONSTRUCTION
- COMPACTION IN NEW CONSTRUCTION

NOTES:

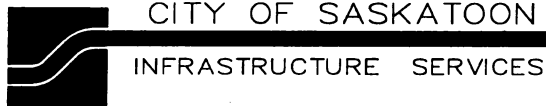
1. CONCRETE STANDARD: 32 MPa DURA-MIX CONCRETE, 5-8% AIR AS PER SPEC.
2. COMPACTION STANDARD: 98% STANDARD PROCTOR AS PER SPEC.
3. WINGS ARE OPTIONAL TO DEPRESS THE CROSSING TO REDUCE HARD SURFACED BOULEVARD SLOPE, AT OWNERS DISCRETION. REQUIRES APPROVAL OF ENGINEER.
4. BROOM FINISH WALK TRANSVERSELY. BROOM FINISH CURB & GUTTER LONGITUDINALLY.
5. BROOM OVER ALL CONTROL JOINTS.
6. SPACING OF CONTROL JOINTS TO BE 1.5M

REVISIONS

1	
2	
3	

DRAWN BY R. OTTENBREIT
DATE FEBRUARY 1, 1999

CHECKED BY _____
DATE _____



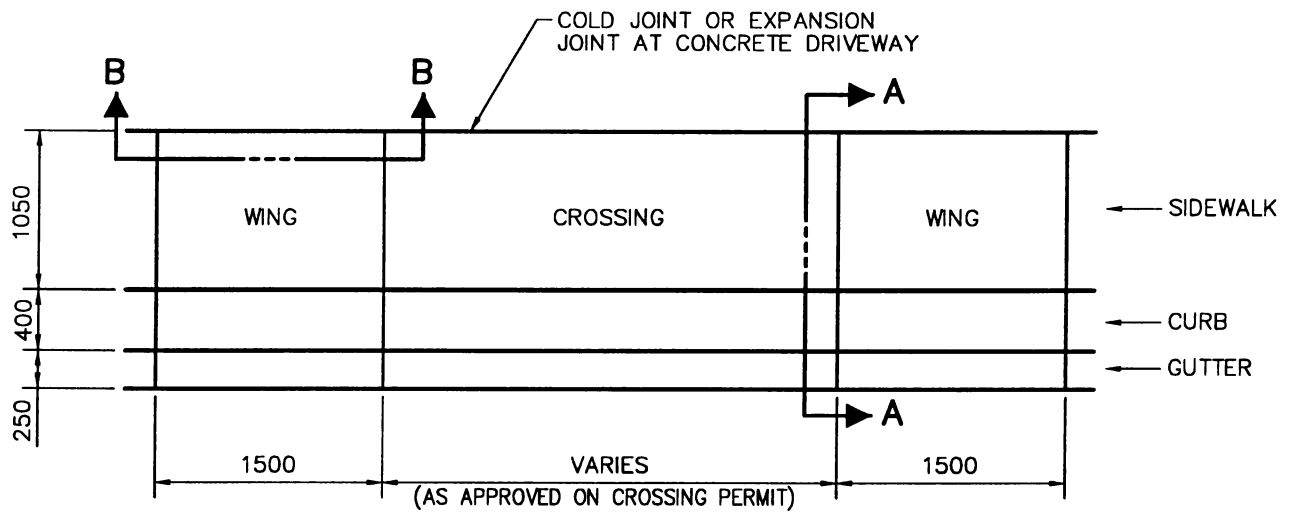
**DROPPED CURB CROSSING
SEPARATE WALK, VERTICAL CURB**

APPROVED
[Signature]
GENERAL MANAGER P. ENG.

ENGINEER *[Signature]*
ENGINEER

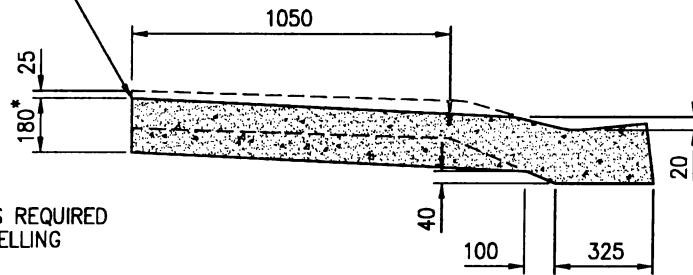
SCALES : HOR. 1:50 VERT. 1:25

CR-6 PLAN NO. **102-0002-011r001**



PLAN VIEW

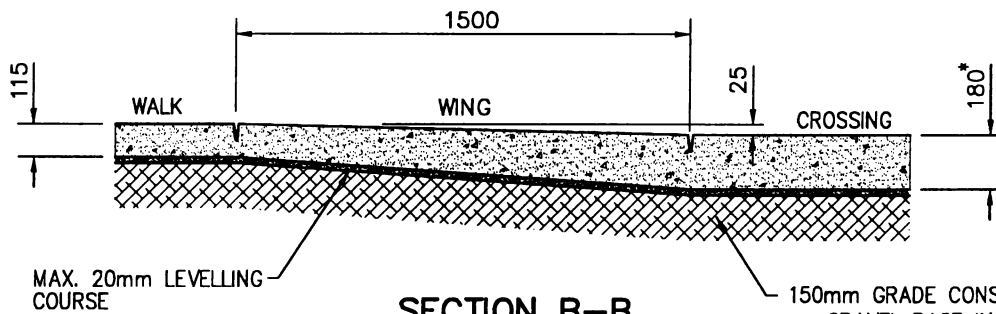
LOWER BACK OF WALK THROUGH CROSSING



* 125mm MIN. THICKNESS REQUIRED FOR SINGLE FAMILY DWELLING CROSSING

SECTION A-A

- THROUGH CROSSING -



SECTION B-B

- AT BACK OF WING -

150mm GRADE CONSTRUCTION
- GRAVEL BASE IN RECONSTRUCTION
- COMPACTION IN NEW CONSTRUCTION

NOTES:

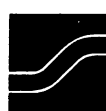
1. CONCRETE STANDARD:
32 MPa DURA-MIX CONCRETE
5-8% AIR AS PER SPEC.
2. COMPACTION STANDARD:
98% STANDARD PROCTOR AS PER SPEC.
3. BROOM FINISH WALK TRANSVERSELY.
BROOM FINISH CURB & GUTTER LONGITUDINALLY.
4. BROOM OVER ALL CONTROL JOINTS.
5. SPACING OF CONTROL JOINTS TO BE 1.5M

REVISIONS

1	
2	
3	

DRAWN BY R. OTTENBREIT
DATE FEBRUARY 1, 1999

CHECKED BY _____
DATE _____



CITY OF SASKATOON
INFRASTRUCTURE SERVICES

**CROSSING
ROLLED CURB, GUTTER & WALK**

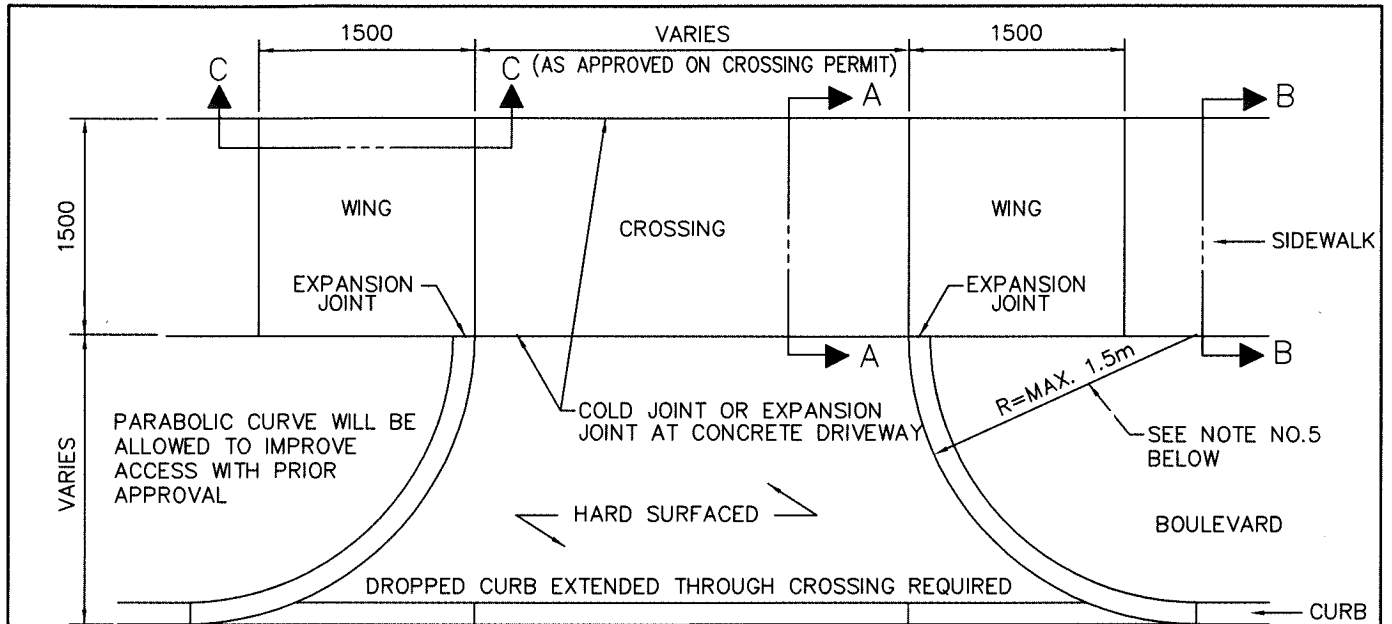
APPROVED

GENERAL MANAGER *[Signature]* P. ENG.

ENGINEER *[Signature]*

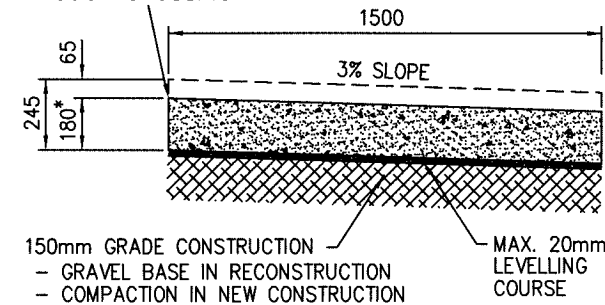
ENGINEER
SCALES : HOR. 1:50 VERT. 1:25

CR-7 PLAN NO. 102-0002-012r001



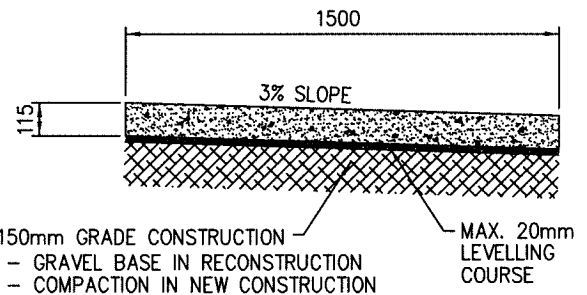
PLAN VIEW

LOWER BACK OF WALK THROUGH CROSSING



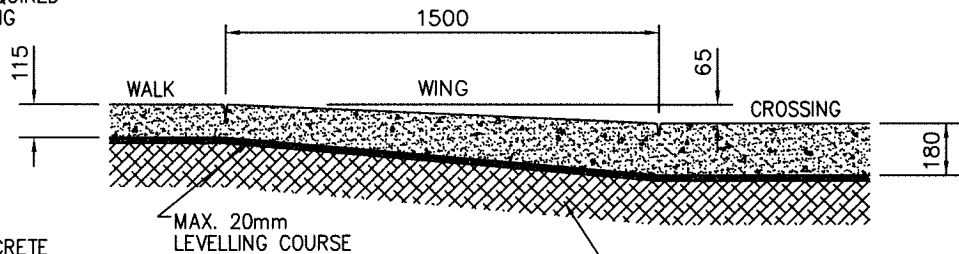
SECTION A-A
- THROUGH CROSSING -

CURB RETURN TO BE POURED MONOLITHICALLY WITH DROPPED CURB &/OR CURB & GUTTER



SECTION B-B

* 125mm MIN. THICKNESS REQUIRED FOR SINGLE FAMILY DWELLING CROSSING



SECTION C-C
- AT BACK OF WING -

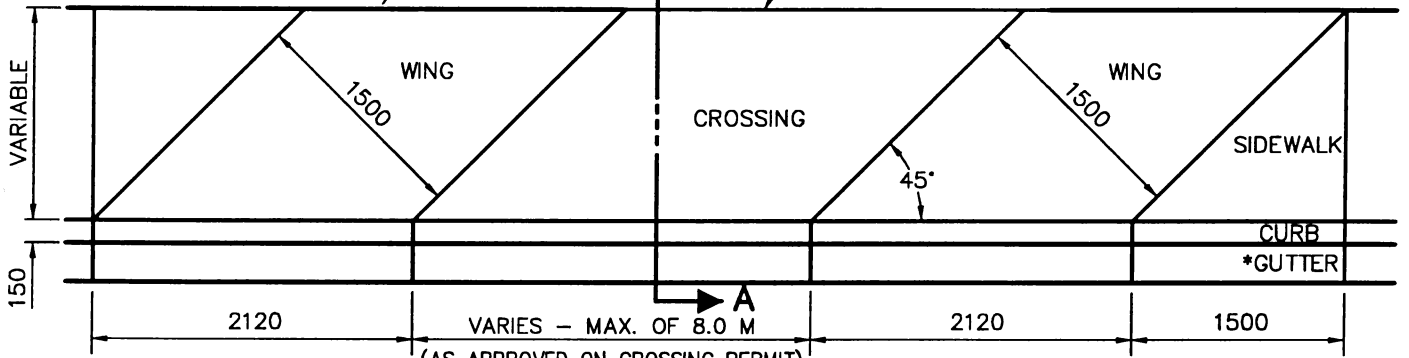
NOTES:

1. CONCRETE STANDARD:
32 MPa DURA-MIX CONCRETE
5-8% AIR AS PER SPEC.
2. COMPACTION STANDARD:
98% STANDARD PROCTOR AS PER SPEC.
3. BROOM FINISH WALK TRANSVERSELY.
BROOM FINISH CURB & GUTTER LONGITUDINALLY.
4. BROOM OVER ALL CONTROL JOINTS.
5. TRUCK SWEEP PATH ANALYSIS OR TRAFFIC IMPACT STUDY
REQUIRED FOR APPROVAL OF LARGER CORNER RADIUS

PLAN DESCRIPTION/REVISIONS		 City of Saskatoon Transportation & Utilities Department	APPROVED	
4			 DIRECTOR OF TRANSPORTATION P.ENG	
3		CURB RETURN CROSSING SEPARATE WALK, VERTICAL CURB	 ENGINEER	
2			PLAN NO. 102-0002-013r002	
1	ADDED MAX RADIUS NOTE - AMR - 05/2016		CR-8	
DRAWN BY <u>R. OTTENBREIT</u> DATE <u>FEBRUARY 1, 1999</u>				
SCALE : HOR. <u>1:50</u> VERT. <u>1:25</u>				

BARRIER CURBS AS REQUIRED IN BYLAW 7800 (MIN. 1m BEHIND WALK OR AT PROPERTY LINE)

COLD JOINT OR EXPANSION JOINT AT CONCRETE DRIVEWAY

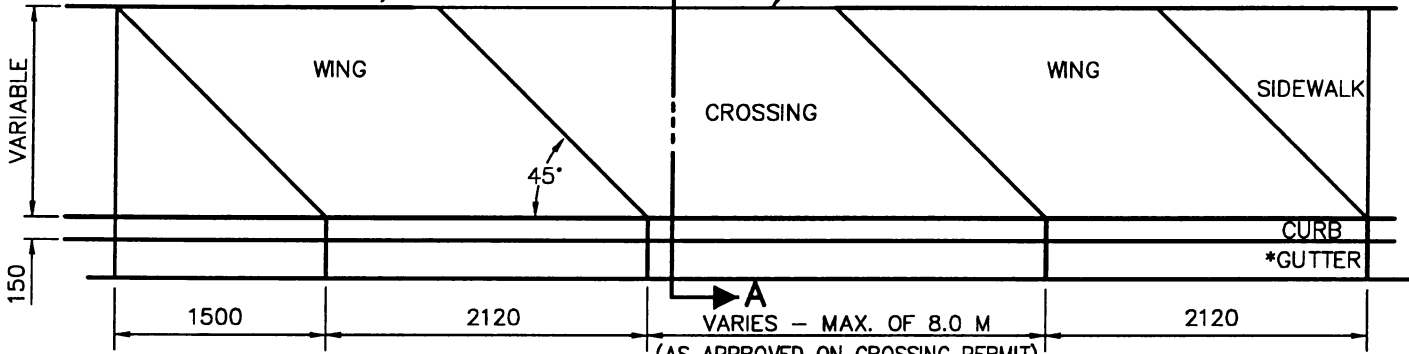


OUTBOUND CROSSING

*GUTTER MAY BE REQUIRED TO MATCH EXISTING

BARRIER CURBS AS REQUIRED IN BYLAW 7800 (MIN. 1m BEHIND WALK OR AT PROPERTY LINE)

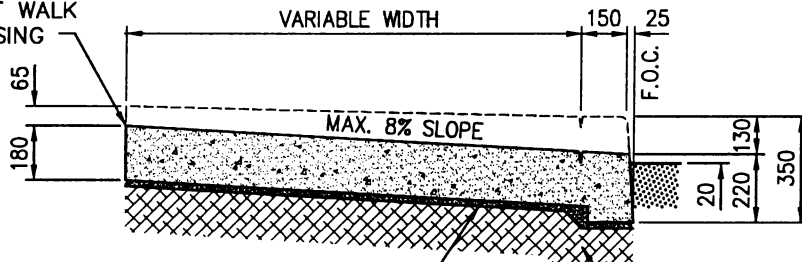
COLD JOINT OR EXPANSION JOINT AT CONCRETE DRIVEWAY



INBOUND CROSSING

*GUTTER MAY BE REQUIRED TO MATCH EXISTING

LOWER BACK OF WALK THROUGH CROSSING



MAX. 20mm LEVELLING COURSE

150mm GRADE CONSTRUCTION
- GRAVEL BASE IN RECONSTRUCTION
- COMPACTION IN NEW CONSTRUCTION

SECTION A-A

- THROUGH CROSSING -

NOTES:

1. CONCRETE STANDARD:
32 MPa DURA-MIX CONCRETE
5-8% AIR AS PER SPEC.
2. COMPACTION STANDARD:
98% STANDARD PROCTOR AS PER SPEC.
3. BROOM FINISH WALK TRANSVERSELY.
BROOM FINISH CURB & GUTTER LONGITUDINALLY.
4. BROOM OVER ALL CONTROL JOINTS.
5. SPACING OF CONTROL JOINTS TO BE 1.5M

REVISIONS

1	
2	
3	

DRAWN BY R. OTTENBREIT
DATE FEBRUARY 1, 1999

CHECKED BY _____
DATE _____



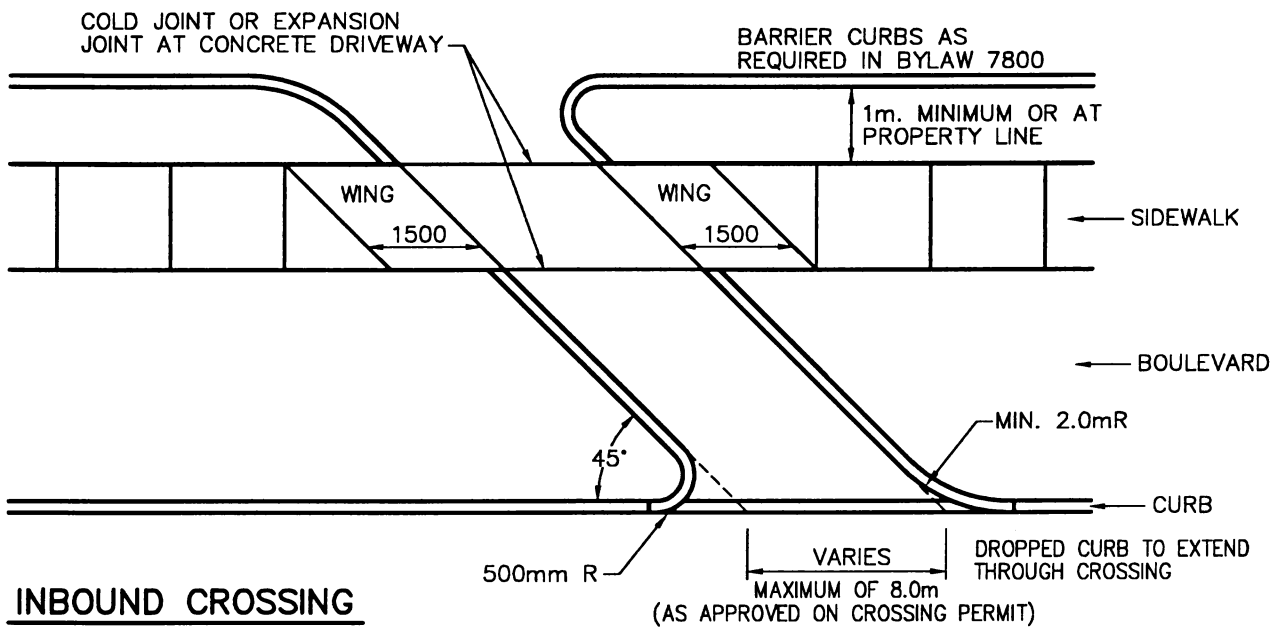
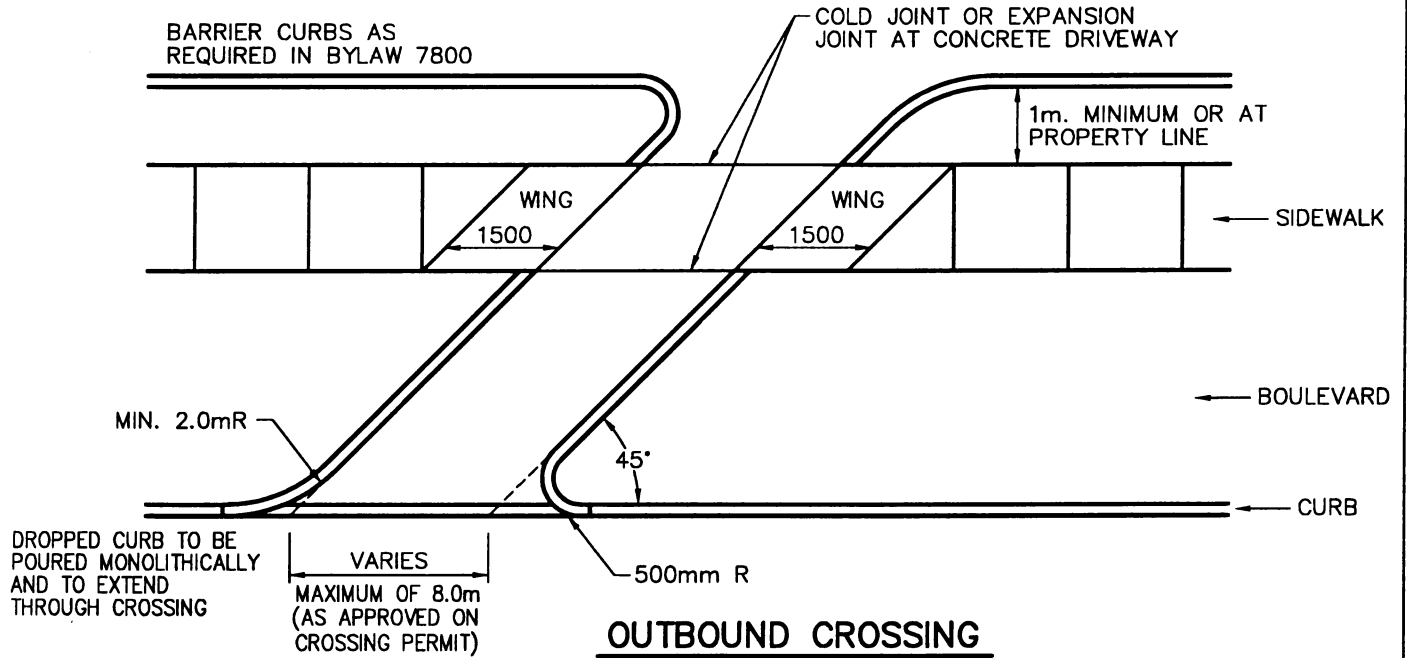
CITY OF SASKATOON
INFRASTRUCTURE SERVICES

**DIRECTIONAL CROSSING
WALK & VERTICAL CURB**

APPROVED
[Signature]
GENERAL MANAGER P. ENG.

ENGINEER *[Signature]*
ENGINEER
SCALES :
HOR. 1:50 VERT. 1:25

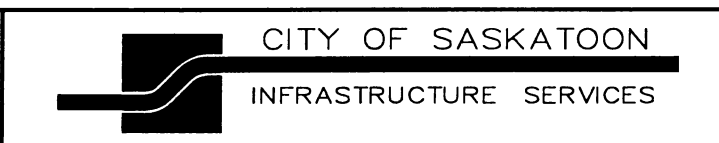
CR-9 PLAN NO. **102-0002-014r001**



NOTES:

1. CONCRETE STANDARD:
32 MPa DURA-MIX CONCRETE
5-8% AIR AS PER SPEC.
2. COMPACTION STANDARD:
98% STANDARD PROCTOR AS PER SPEC.
3. BROOM FINISH WALK TRANSVERSELY.
BROOM FINISH CURB & GUTTER LONGITUDINALLY.
4. BROOM OVER ALL CONTROL JOINTS.
5. SPACING OF CONTROL JOINTS TO BE 1.5M

REVISIONS	
1	
2	
3	



APPROVED

[Signature]
GENERAL MANAGER P. ENG.

DRAWN BY R. OTTENBREIT
DATE FEBRUARY 1, 1999

CHECKED BY _____
DATE _____

**DIRECTIONAL CROSSING
SEPARATE CURB & WALK**

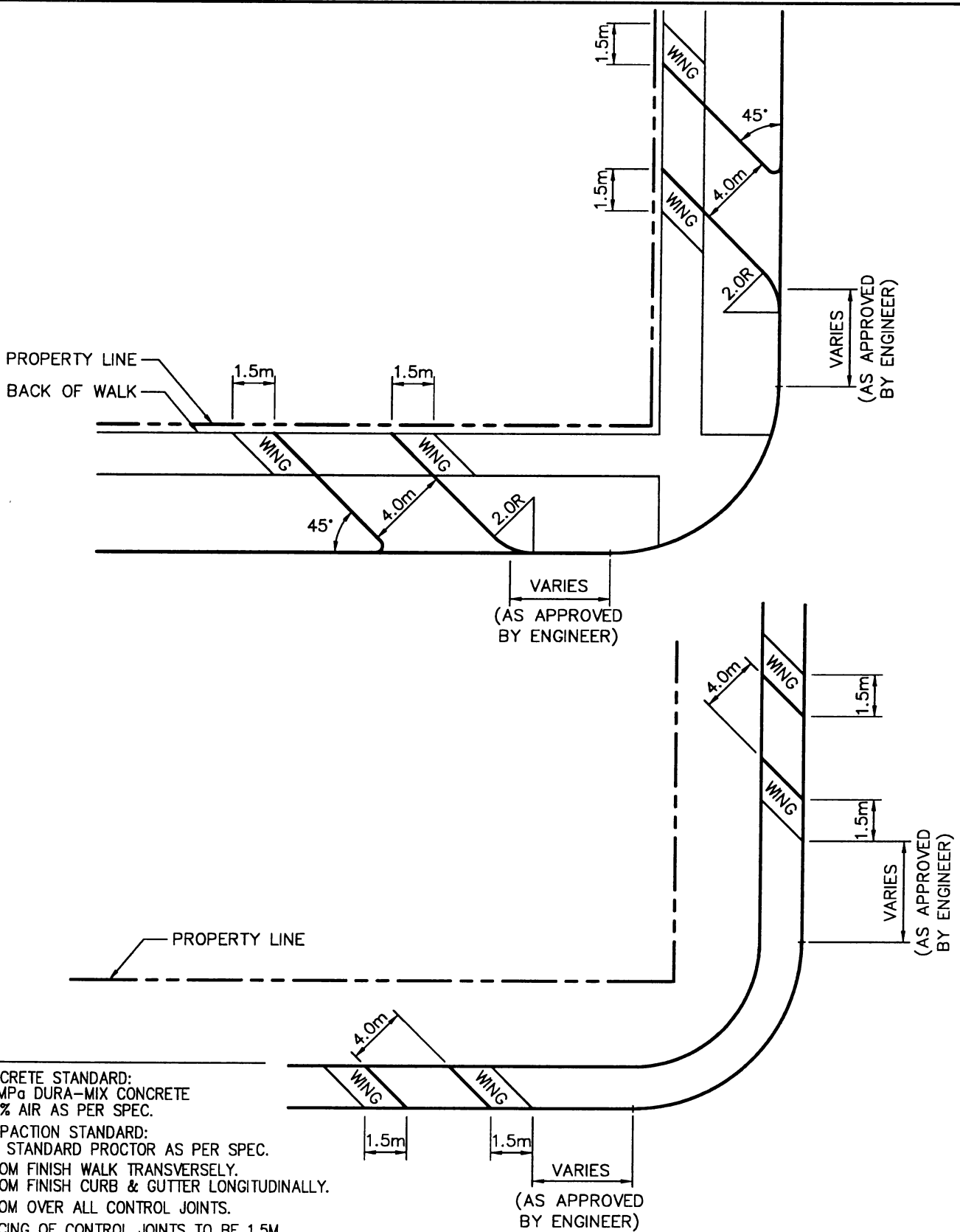
ENGINEER *[Signature]*

ENGINEER *[Signature]*

SCALES : HOR. 1:100 VERT. _____

PLAN NO. **102-0002-015r001**

CR-10



NOTES:

1. CONCRETE STANDARD:
32 MPa DURA-MIX CONCRETE
5-8% AIR AS PER SPEC.
2. COMPACTION STANDARD:
98% STANDARD PROCTOR AS PER SPEC.
3. BROOM FINISH WALK TRANSVERSELY.
BROOM FINISH CURB & GUTTER LONGITUDINALLY.
4. BROOM OVER ALL CONTROL JOINTS.
5. SPACING OF CONTROL JOINTS TO BE 1.5M

REVISIONS

1	
2	
3	

DRAWN BY R. OTTENBREIT
DATE FEBRUARY 1, 1999

CHECKED BY _____
DATE _____



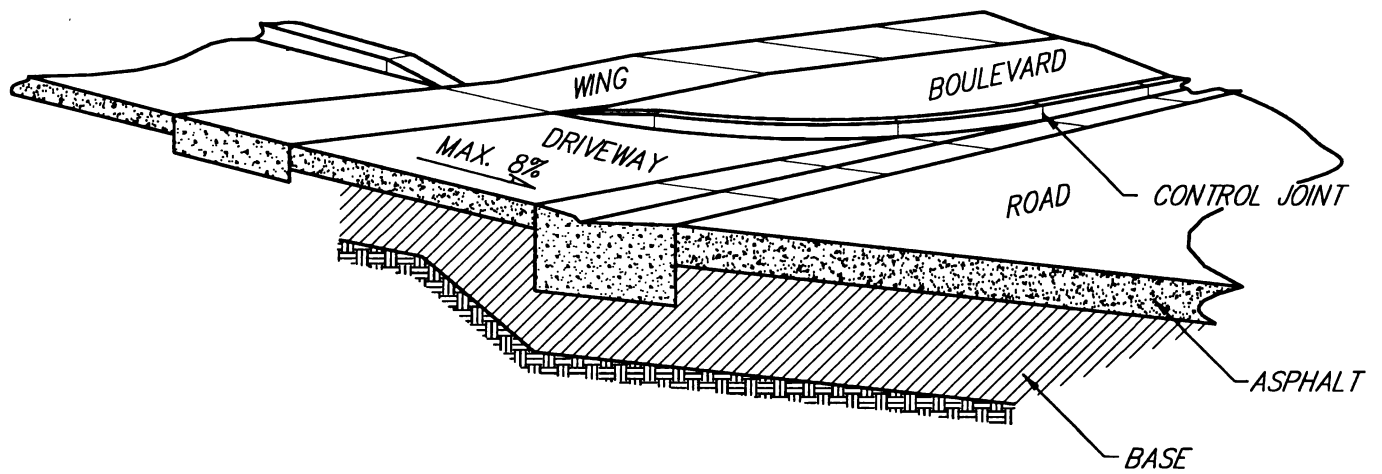
LOCATION OF CORNER
DIRECTIONAL CROSSINGS



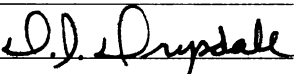
APPROVED
[Signature]
GENERAL MANAGER P. ENG.

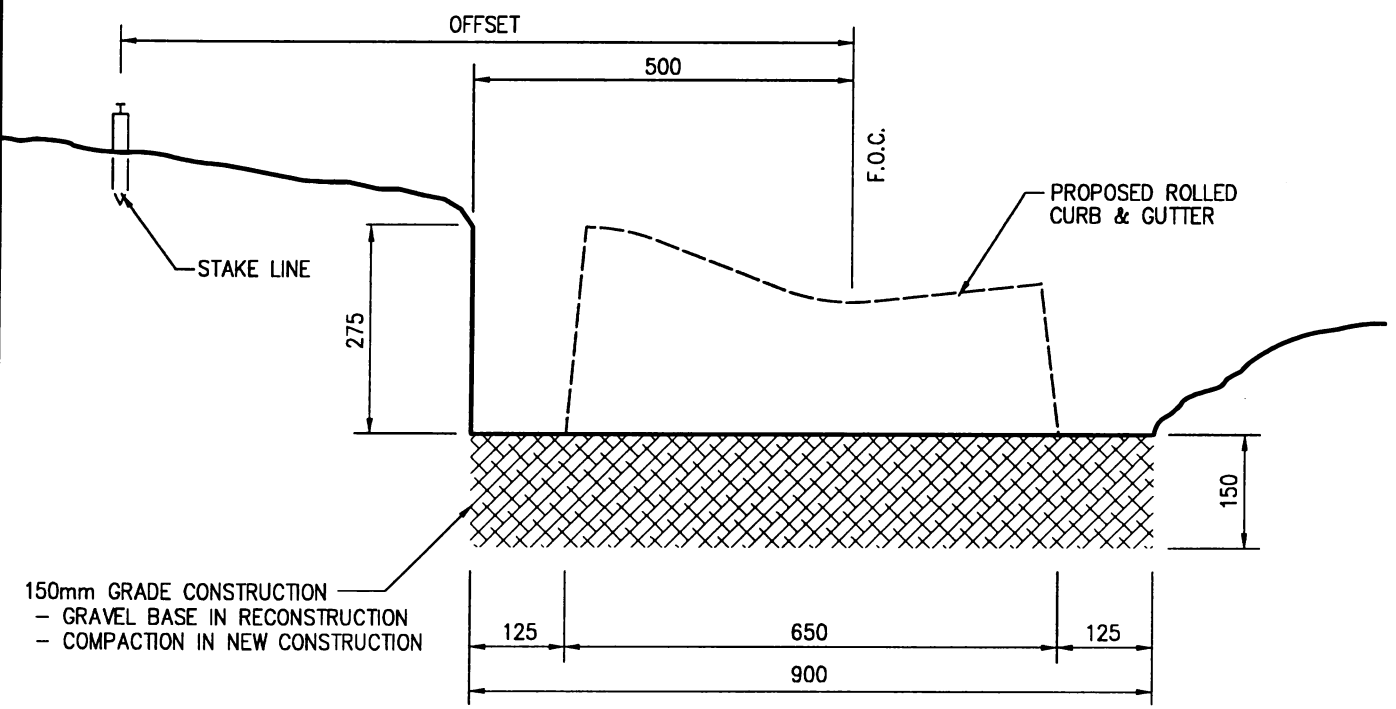
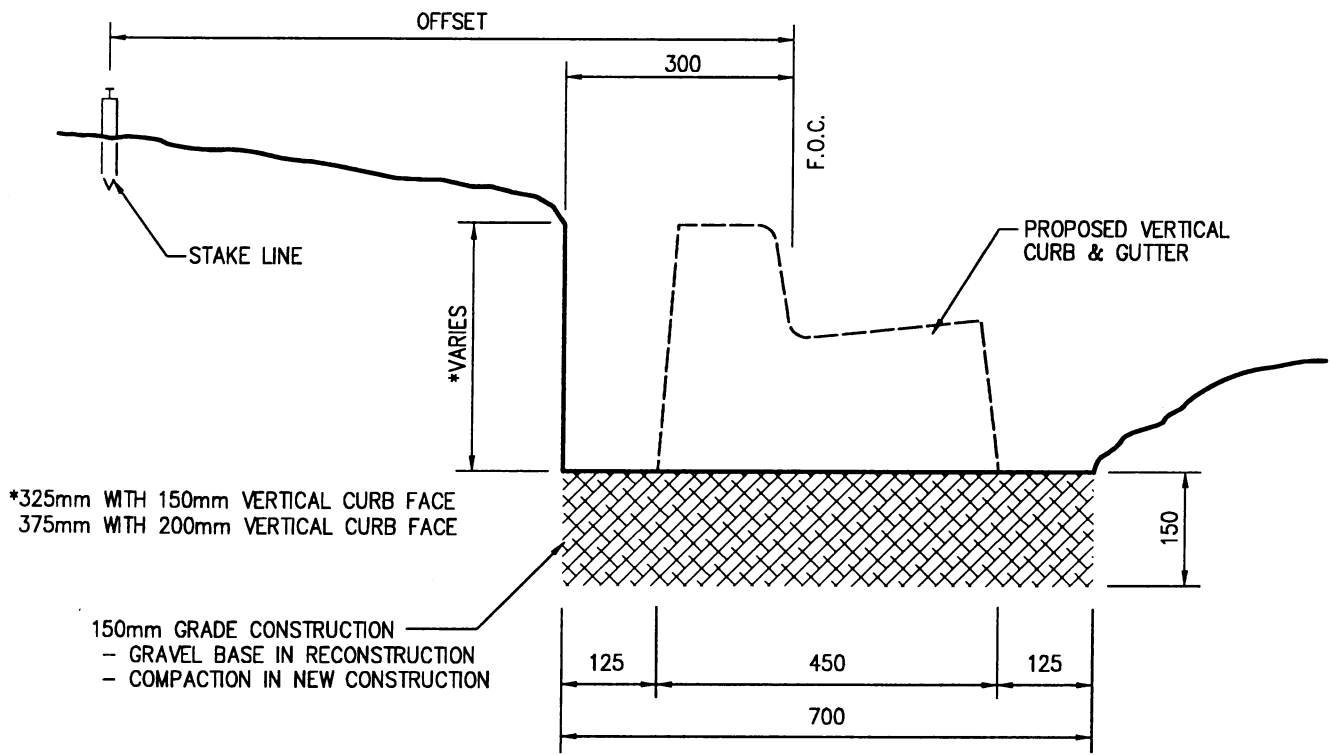
ENGINEER
[Signature]
ENGINEER

SCALES : HOR. 1:200 VERT. _____

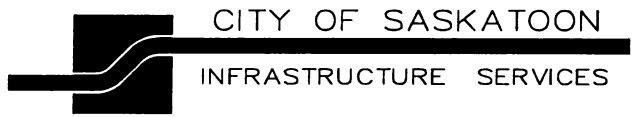
CR-11 PLAN NO. 102-0002-016r001



REVISIONS 1 _____ 2 _____ 3 _____		 <p>CITY OF SASKATOON INFRASTRUCTURE SERVICES</p>	APPROVED  GENERAL MANAGER _____ P. ENG.	
DRAWN BY <u>R. OTTENBREIT</u> DATE <u>FEBRUARY 1, 1999</u>			ENGINEER  ENGINEER _____ SCALES : HOR. <u>NTS</u> VERT. _____	
CHECKED BY _____ DATE _____		TYPICAL DRIVEWAY CURB DETAIL ISOMETRIC VIEW		
		CR-12	PLAN NO. 102-0002-017r001	



REVISIONS		
1	UPDATED NOTES	23/6/99
2		
3		



APPROVED

[Signature]
GENERAL MANAGER P. ENG.

ENGINEER
[Signature]

ENGINEER

SCALES : HOR. 1:10 VERT. _____

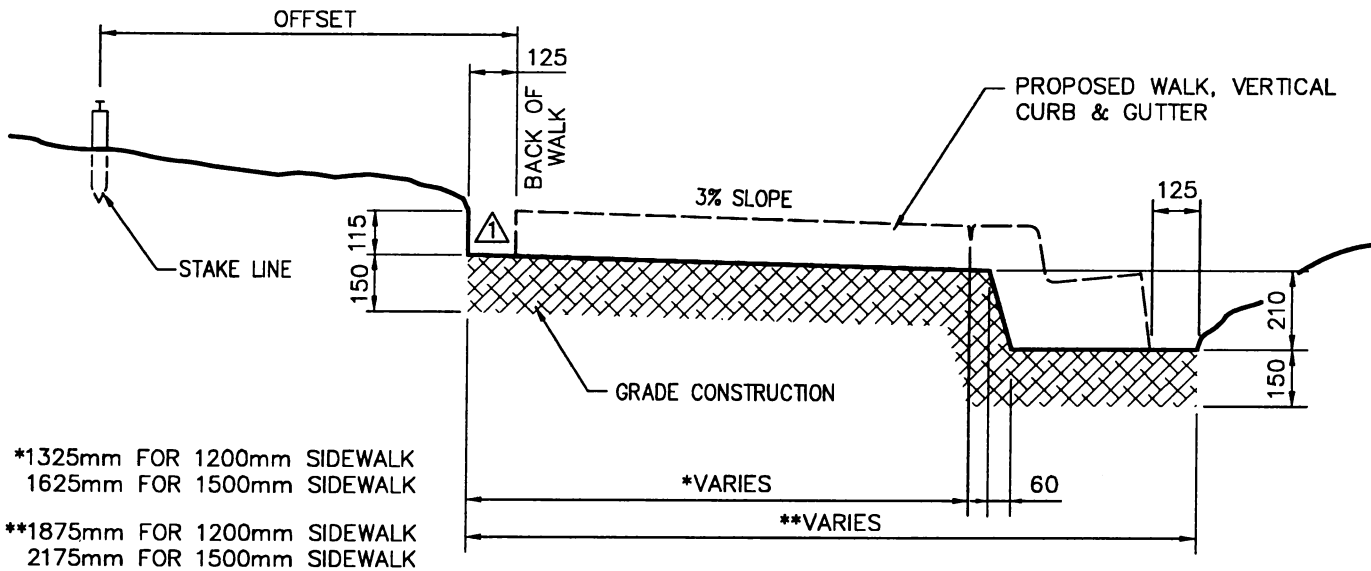
PLAN NO. 102-0002-018r001

DRAWN BY R. OTTENBREIT
DATE FEBRUARY 1, 1999

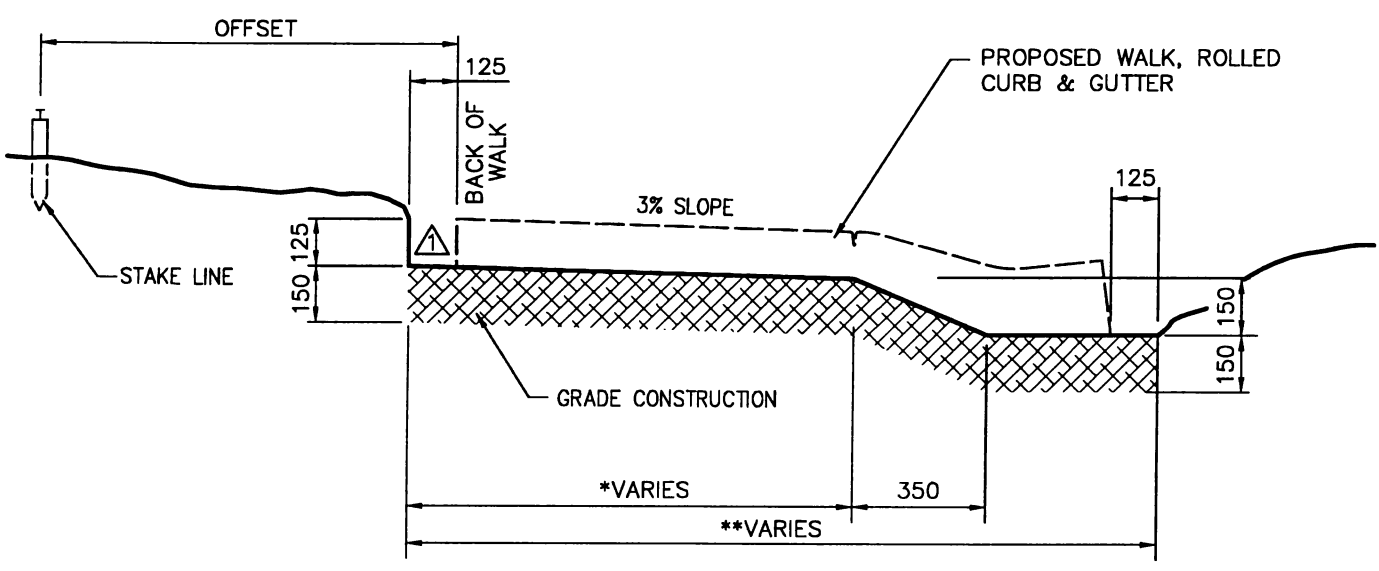
CHECKED BY _____
DATE _____

**GRADE CONSTRUCTION FOR
CURB & GUTTER**

G-1



*1325mm FOR 1200mm SIDEWALK
 1625mm FOR 1500mm SIDEWALK
 **1875mm FOR 1200mm SIDEWALK
 2175mm FOR 1500mm SIDEWALK



*1175mm FOR 1050mm SIDEWALK
 1325mm FOR 1200mm SIDEWALK
 **1975mm FOR 1050mm SIDEWALK
 2125mm FOR 1200mm SIDEWALK

▲ TO BE BACKFILLED LEVEL WITH CONCRETE WALK AND COMPACTED WITH COMPACTION EQUIPMENT.

REVISIONS		
1	ADDED NOTE 1	23/6/99
2		
3		

DRAWN BY R. OTTENBREIT
 DATE FEBRUARY 1, 1999

CHECKED BY _____
 DATE _____



**GRADE CONSTRUCTION FOR
 SIDEWALK, CURB & GUTTER**

G-2

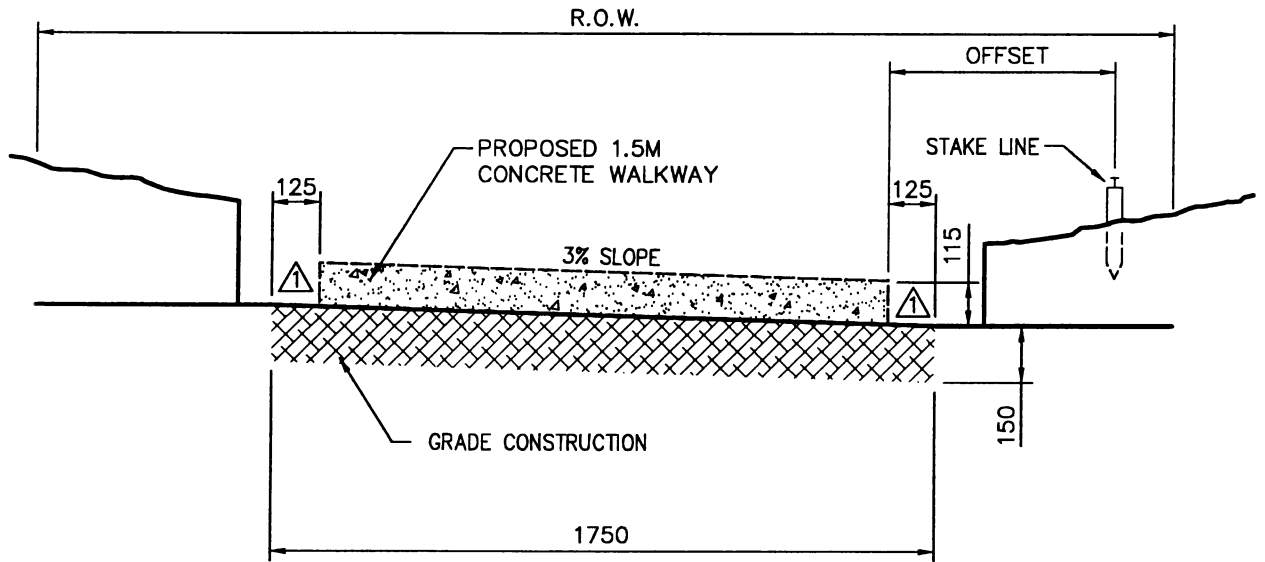
APPROVED

[Signature]
 GENERAL MANAGER P. ENG.

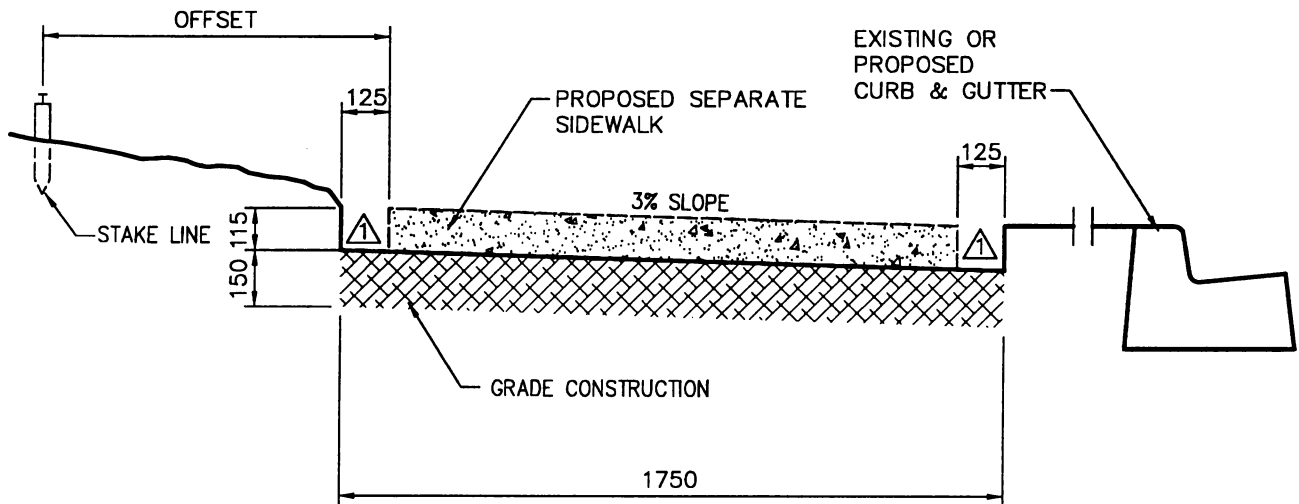
ENGINEER
[Signature]
 ENGINEER

SCALES :
 HOR. 1:20 VERT. _____

PLAN NO. **102-0002-019r001**



WALKWAY



SEPARATE SIDEWALK

▲ TO BE BACKFILLED LEVEL WITH CONCRETE WALK AND COMPACTED WITH COMPACTION EQUIPMENT.

REVISIONS	
1	
2	
3	



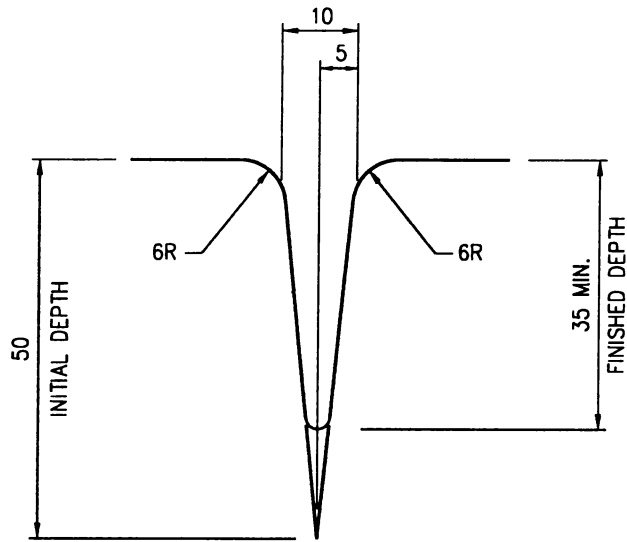
CITY OF SASKATOON
INFRASTRUCTURE SERVICES

APPROVED
[Signature]
 GENERAL MANAGER P. ENG.
 ENGINEER
[Signature]
 ENGINEER
 SCALES : HOR. 1:20 VERT. _____
 PLAN NO. 102-0002-020r001

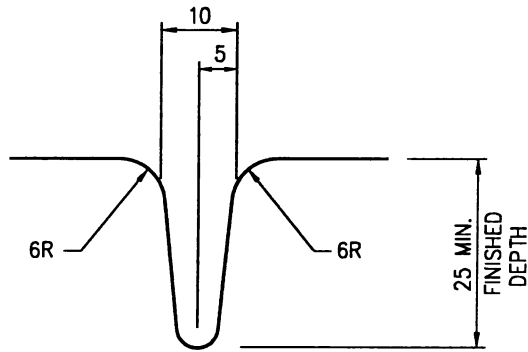
DRAWN BY R. OTTENBREIT
 DATE FEBRUARY 1, 1999
 CHECKED BY _____
 DATE _____

**GRADE CONSTRUCTION FOR
WALKWAY & SIDEWALK**

G-3




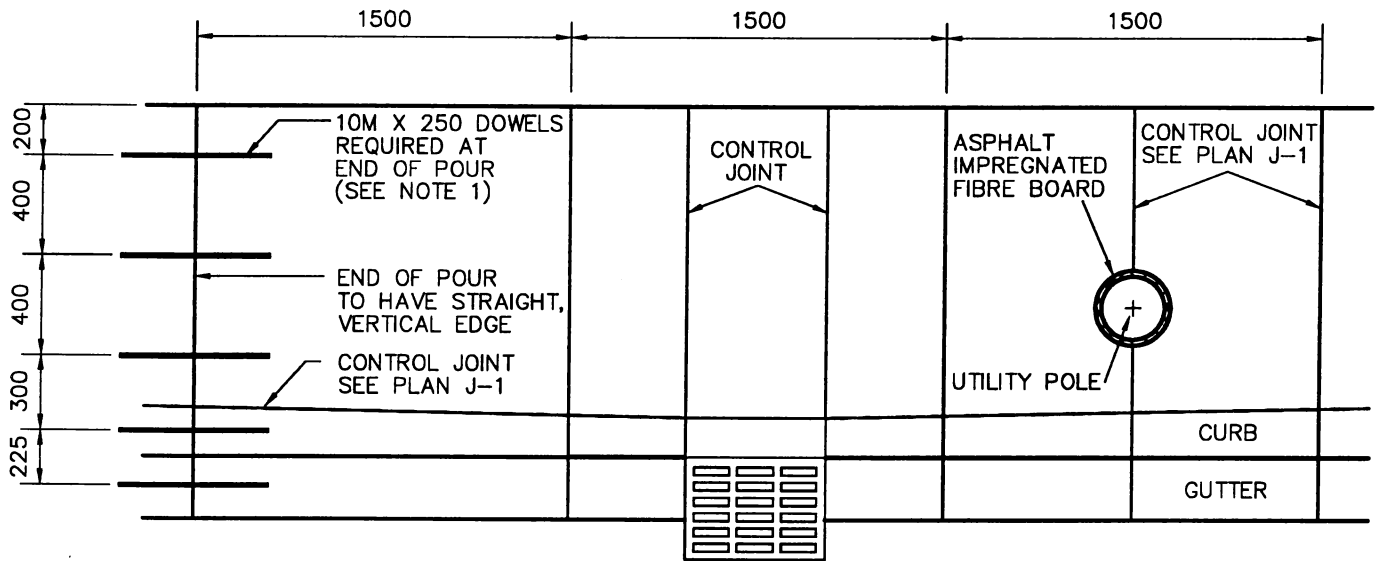
LONGITUDINAL CONTROL JOINT



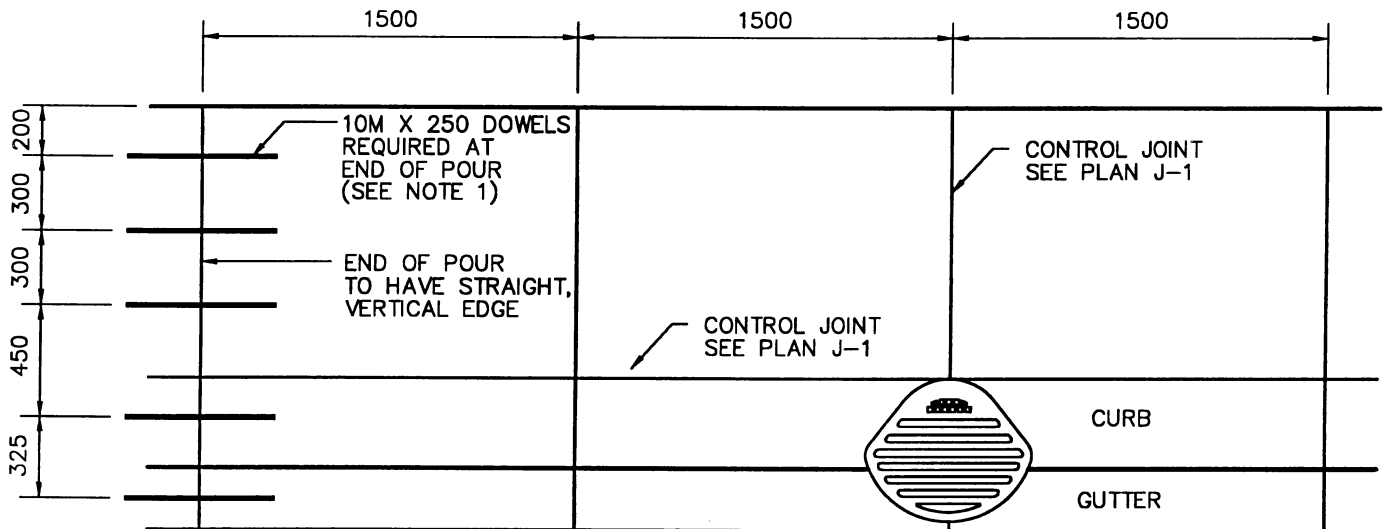
TRANSVERSE CONTROL JOINT

TRANSVERSE CONTROL JOINTS MUST EXTEND
ACROSS WALK & CURB, DOWN THE FACE
OF CURB, AND ACROSS GUTTER

<p>REVISIONS</p> <table border="1"> <tr><td>1</td><td></td></tr> <tr><td>2</td><td></td></tr> <tr><td>3</td><td></td></tr> </table>		1		2		3		 <p>CITY OF SASKATOON INFRASTRUCTURE SERVICES</p>	<p>APPROVED</p> <p><i>[Signature]</i> GENERAL MANAGER P. ENG.</p>
1									
2									
3									
<p>DRAWN BY <u>R. OTTENBREIT</u> DATE <u>FEBRUARY 1, 1999</u></p> <p>CHECKED BY _____ DATE _____</p>		<p>ENGINEER <i>[Signature]</i> ENGINEER SCALES : HOR. <u>1:1</u> VERT. _____</p>							
		<p>CONTROL JOINTS</p>	<p>J-1 PLAN NO. 102-0002-021r001</p>						




VERTICAL CURB

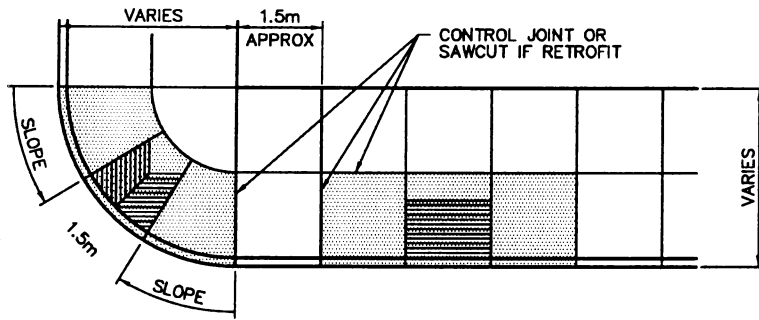


ROLLED CURB

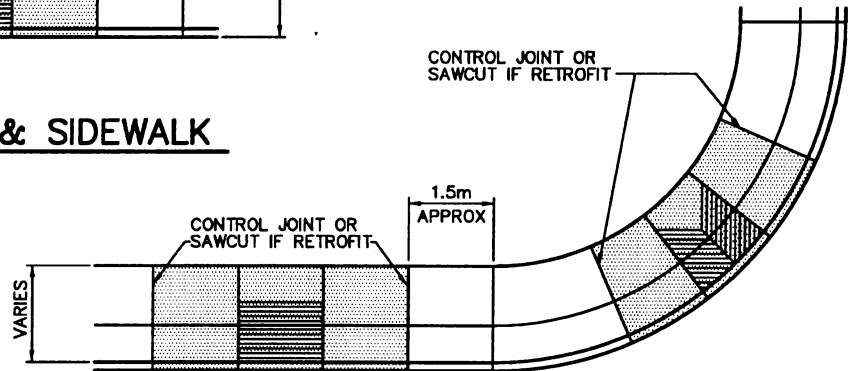
NOTES:

1. REBAR TO BE STAINLESS STEEL, EPOXY COATED, OR GALVANIZED. (EPOXY CAN NOT BE DRIVEN)

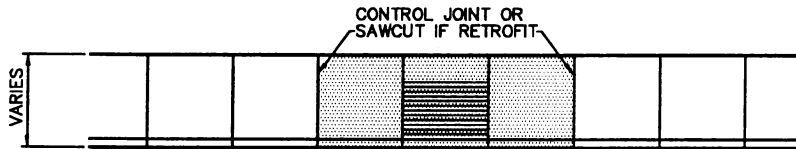
<p>REVISIONS</p> <table border="1"> <tr><td>1</td><td>MOVED CURB CNTRL. JOINT</td></tr> <tr><td>2</td><td></td></tr> <tr><td>3</td><td></td></tr> </table>		1	MOVED CURB CNTRL. JOINT	2		3		 <p>CITY OF SASKATOON INFRASTRUCTURE SERVICES</p>	<p>APPROVED</p> <p><i>[Signature]</i> GENERAL MANAGER P. ENG.</p>	
1	MOVED CURB CNTRL. JOINT									
2										
3										
<p>DRAWN BY R. OTTENBREIT DATE FEBRUARY 1, 1999</p> <p>CHECKED BY _____ DATE _____</p>		<p>ENGINEER <i>[Signature]</i></p> <p>ENGINEER <i>[Signature]</i></p> <p>SCALES : HOR. 1:30 VERT. _____</p>								
		<p>DOWEL/CONTROL JOINT LOCATION & SPACING</p>		<p>J-2 PLAN NO. 102-0002-022r001</p>						



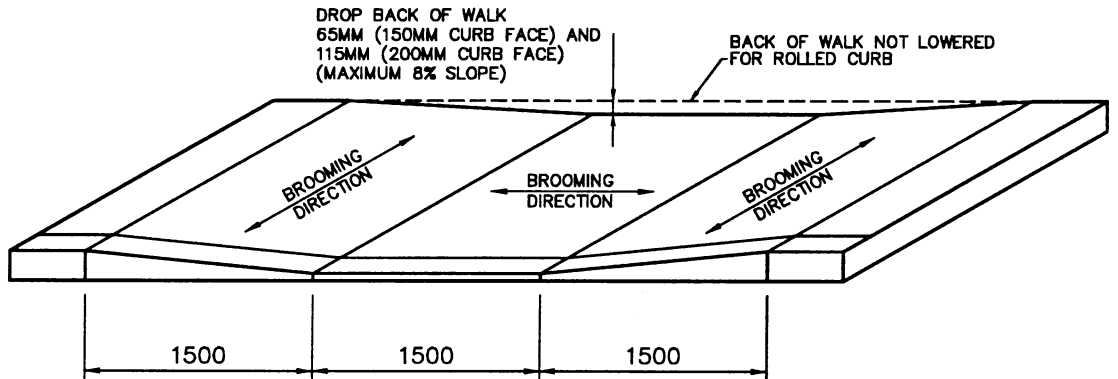
VERTICAL CURB & SIDEWALK



ROLLED CURB & SIDEWALK



VERTICAL CURB & SIDEWALK



TYPICAL FRONT VIEW

NOTES:

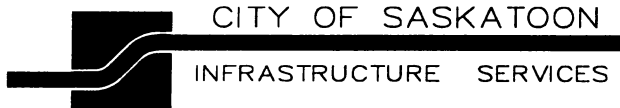
1. RAMP STANDARDS TO COMPLY WITH:
 -ACCESSIBILITY STANDARD, SASK. HUMAN RIGHTS COMMISSION, AUG. 14, 1980
 -BUILDING STANDARDS FOR HANDICAPPED, CURRENT VERSION OF NATIONAL BUILDING CODE
2. SIDEWALK CONFIGURATIONS THAT DO NOT MATCH REQUIRE FIELD APPROVAL
3. BROOM FINISH WALK, CURB FACE & GUTTER. BROOM OVER ALL CONTROL JOINTS.
4. BROOMING DIRECTION SHOULD BE PARALLEL TO THE CURB FOR THE RAMPS AND PERPENDICULAR TO THE CURB FOR THE WINGS.

SPECIAL NOTE:
 SEE DRAWINGS R-3 AND R-4 FOR TEXTURE DETAILS REQUIRED ON ALL SIDEWALK RAMPS.

REVISIONS

1	UPDATED NOTES	23/6/99
2	UPDATED NOTES/DWG	25/8/99
3		

DRAWN BY R. OTTENBREIT
 DATE FEBRUARY 1, 1999
 CHECKED BY _____
 DATE _____

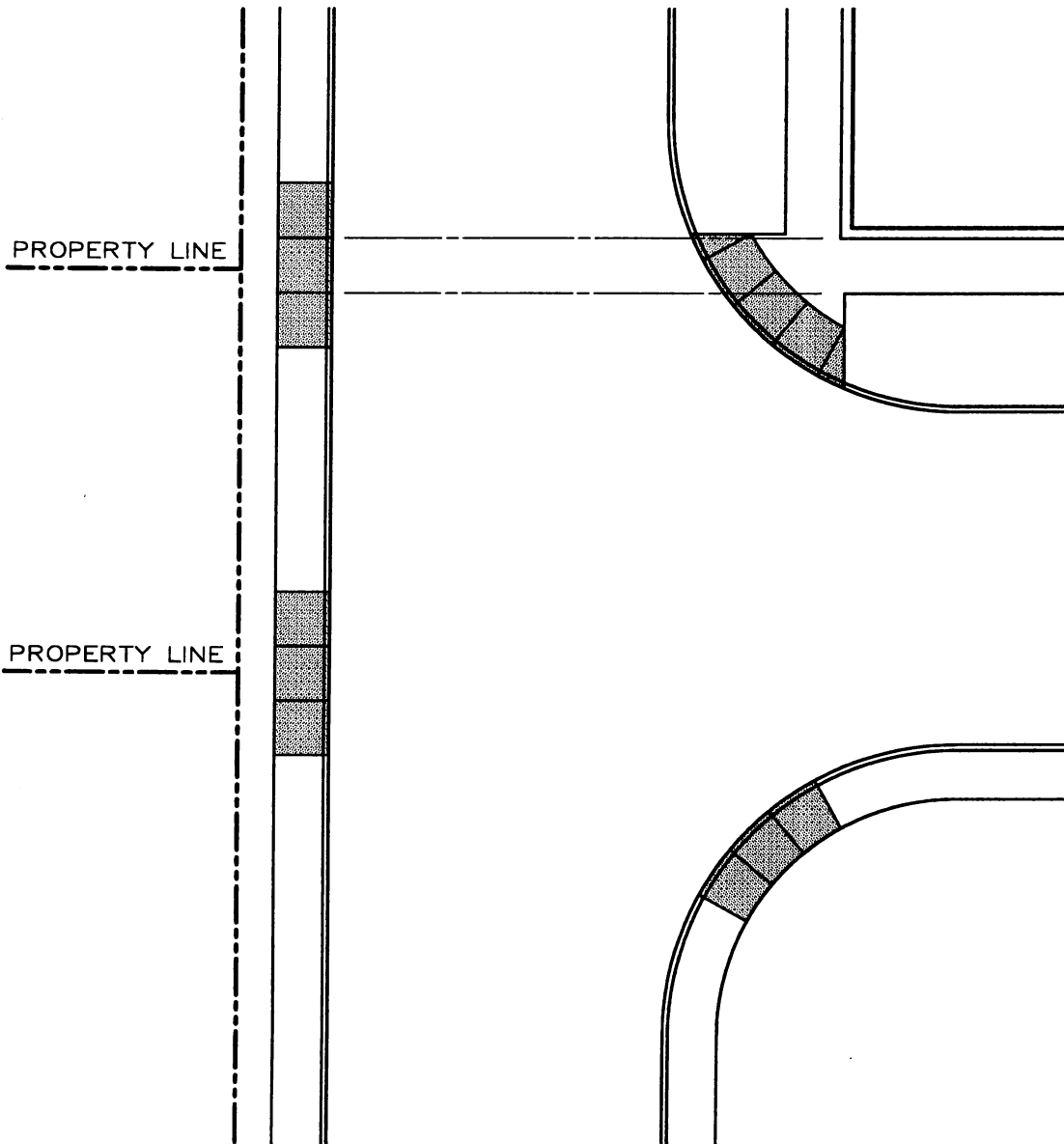


CITY OF SASKATOON
INFRASTRUCTURE SERVICES

SIDEWALK RAMP DETAILS

APPROVED
[Signature]
 GENERAL MANAGER P. ENG.
 ENGINEER
[Signature]
 ENGINEER
 SCALES :
 HOR. 1:75 VERT. 1:50

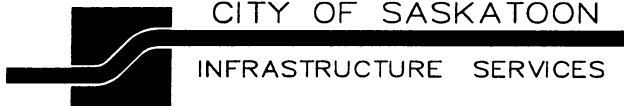
R-1 PLAN NO. **102-0002-023r001**



NOTES FOR RAMP LOCATION:

1. ON A CORNER, PLACE THE RAMP AT THE MIDPOINT OF THE CURVE
2. AT A T-INTERSECTION, PLACE RAMP DIRECTLY ACROSS FROM THE CORNERS AND AS CLOSE TO A PROPERTY LINE AS POSSIBLE.
3. SIDEWALK RAMPS SHALL NOT BE OUTSIDE THE INTERSECTION AREA.

REVISIONS	
1	
2	
3	



CITY OF SASKATOON
INFRASTRUCTURE SERVICES

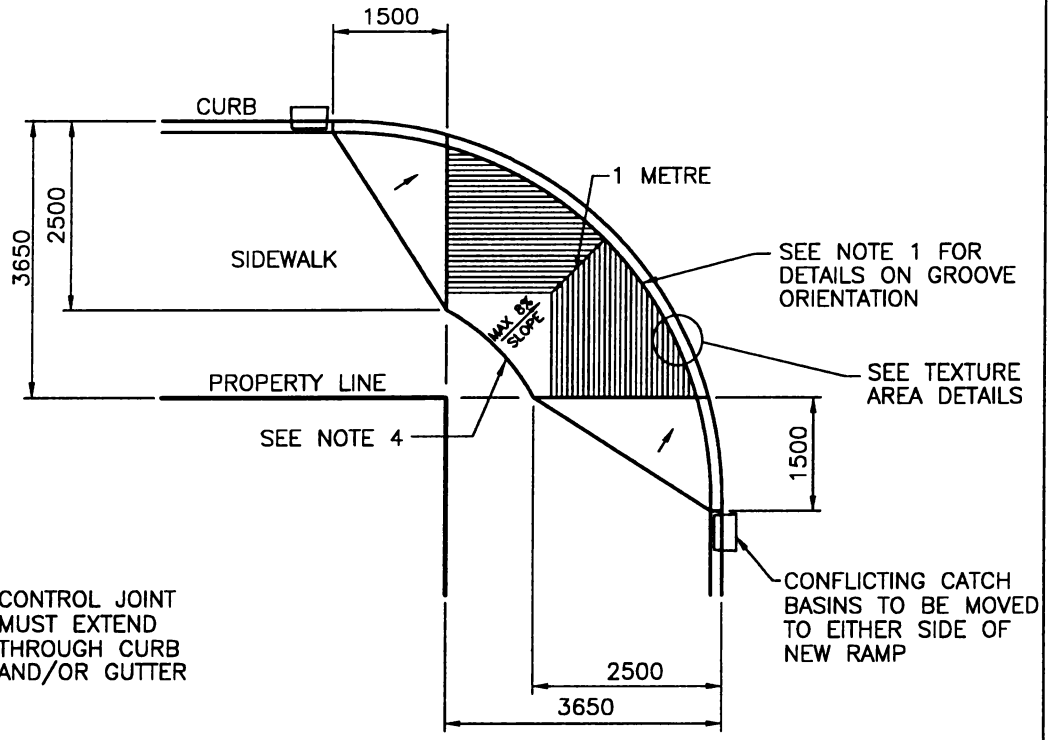
APPROVED
[Signature]
GENERAL MANAGER P. ENG.

ENGINEER
[Signature]
ENGINEER
SCALES : HOR. 1:200 VERT. _____

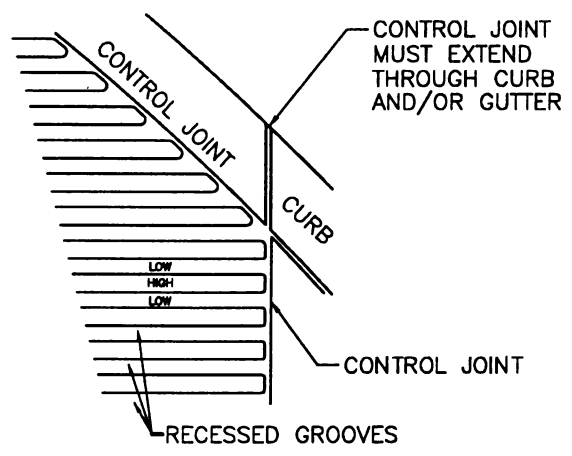
DRAWN BY R. OTTENBREIT
DATE FEBRUARY 1, 1999
CHECKED BY _____
DATE _____

**RAMP LOCATIONS
AT A T-INTERSECITON**

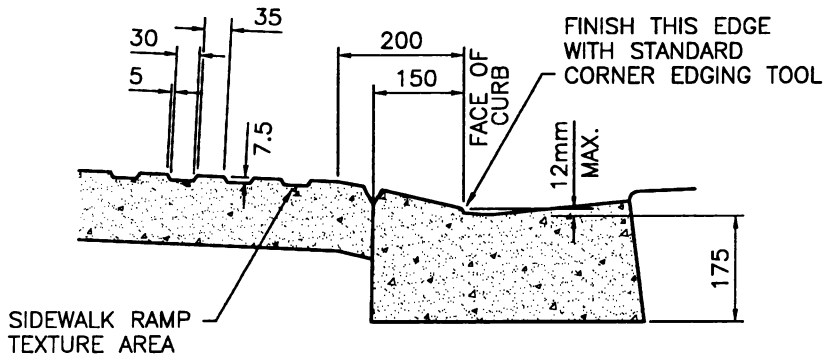
R-2 PLAN NO. **102-0002-024r001**



TYPICAL SIDEWALK RAMP




**PLAN VIEW
TEXTURE AREA**
SCALE 1:20



**CROSS-SECTION
TEXTURE AREA**
SCALE 1:20

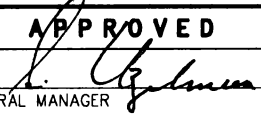
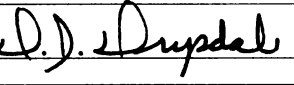
- NOTES:**
- GROOVES ON TEXTURED AREA ARE TO BE PLACED PERPENDICULAR TO THE CROSSWALK LINES OR WHERE NO CROSSWALK EXISTS, PERPENDICULAR TO A LINE BETWEEN THE TWO RAMPS.
 - CONTROL JOINT MUST INTERCEPT THE BOTTOM OF RECESSED GROOVES.
 - CONTROL JOINT MUST BE SLIGHTLY DEEPER THAN RECESSED GROOVES.
 - DROP BACK OF WALK AS PER DRAWING R-1

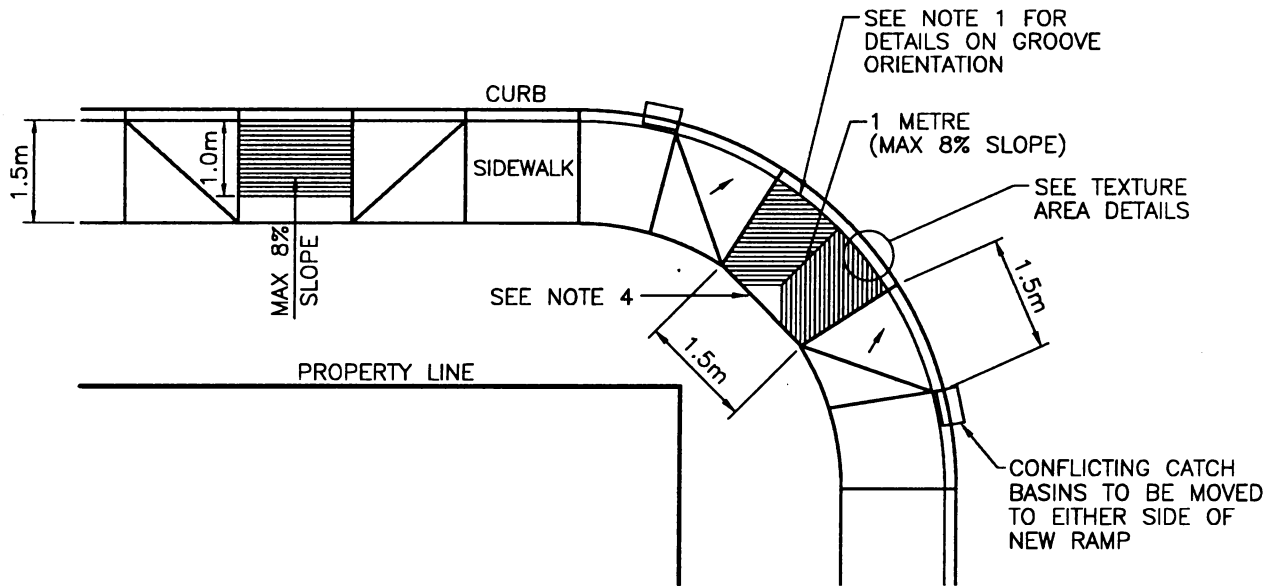
REVISIONS		
1	UPDATED NOTES	23/6/99
2	ADDED SUB-TITLE	25/8/99
3		
DRAWN BY <u>R. OTTENBREIT</u>		
DATE <u>FEBRUARY 1, 1999</u>		
CHECKED BY _____		
DATE _____		



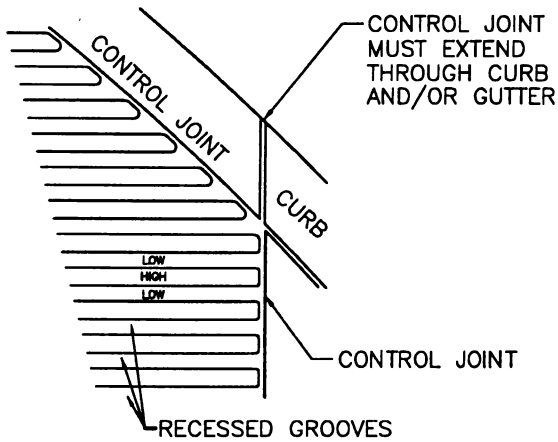
CITY OF SASKATOON
INFRASTRUCTURE SERVICES

**SIDEWALK RAMPS
IN HIGH PEDESTRIAN AREAS
TEXTURE DETAILS**

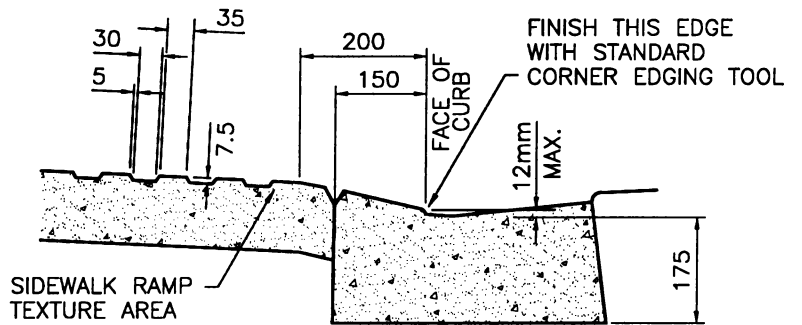
APPROVED	
	P. ENG.
GENERAL MANAGER	
ENGINEER 	
ENGINEER	
SCALES : HOR. 1:100 VERT. _____	
R-3	PLAN NO. 102-0002-025r001



TYPICAL SIDEWALK RAMP



**PLAN VIEW
TEXTURE AREA**
SCALE 1:20



**CROSS-SECTION
TEXTURE AREA**
SCALE 1:20

NOTES:

1. GROOVES ON TEXTURED AREA ARE TO BE PLACED PERPENDICULAR TO THE CROSSWALK LINES OR WHERE NO CROSSWALK EXISTS, PERPENDICULAR TO A LINE BETWEEN THE TWO RAMPS.
2. CONTROL JOINT MUST INTERCEPT THE BOTTOM OF RECESSED GROOVES.
3. CONTROL JOINT MUST BE SLIGHTLY DEEPER THAN RECESSED GROOVES.
4. DROP BACK OF WALK AS PER DRAWING R-1

REVISIONS

1	UPDATED NOTES	23/6/99
2	REVISED TITLE	25/8/99
3		



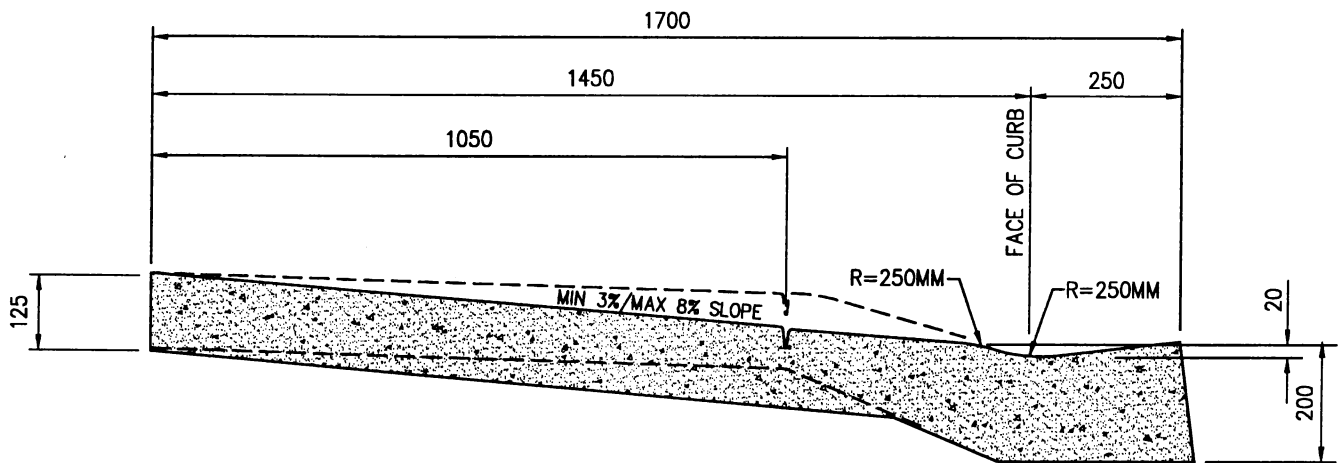
APPROVED
[Signature]
GENERAL MANAGER P. ENG.

DRAWN BY R. OTTENBREIT
DATE FEBRUARY 1, 1999
CHECKED BY _____
DATE _____

**SIDEWALK RAMPS
TEXTURE DETAILS**

ENGINEER *[Signature]*
ENGINEER
SCALES : HOR. 1:100 VERT. _____

R-4 PLAN NO. **102-0002-026r001**



NOTES:

1. CONCRETE STANDARD:
32 MPa DURA-MIX CONCRETE
5-8% AIR AS PER SPEC.
2. COMPACTION STANDARD:
98% STANDARD PROCTOR AS PER SPEC.
3. BROOM FINISH WALK, CURB FACE &
GUTTER. BROOM OVER ALL CONTROL JOINTS.
4. SPACING OF CONTROL JOINTS TO BE 1.5M

REVISIONS

1	
2	
3	



CITY OF SASKATOON
INFRASTRUCTURE SERVICES

**SIDEWALK RAMP SECTION,
ROLLED CURB**

APPROVED

R. Chapman
GENERAL MANAGER P. ENG.

ENGINEER *D. Dwyer*

ENGINEER

SCALES : HOR. 1:12.5 VERT. _____

DRAWN BY R. OTTENBREIT

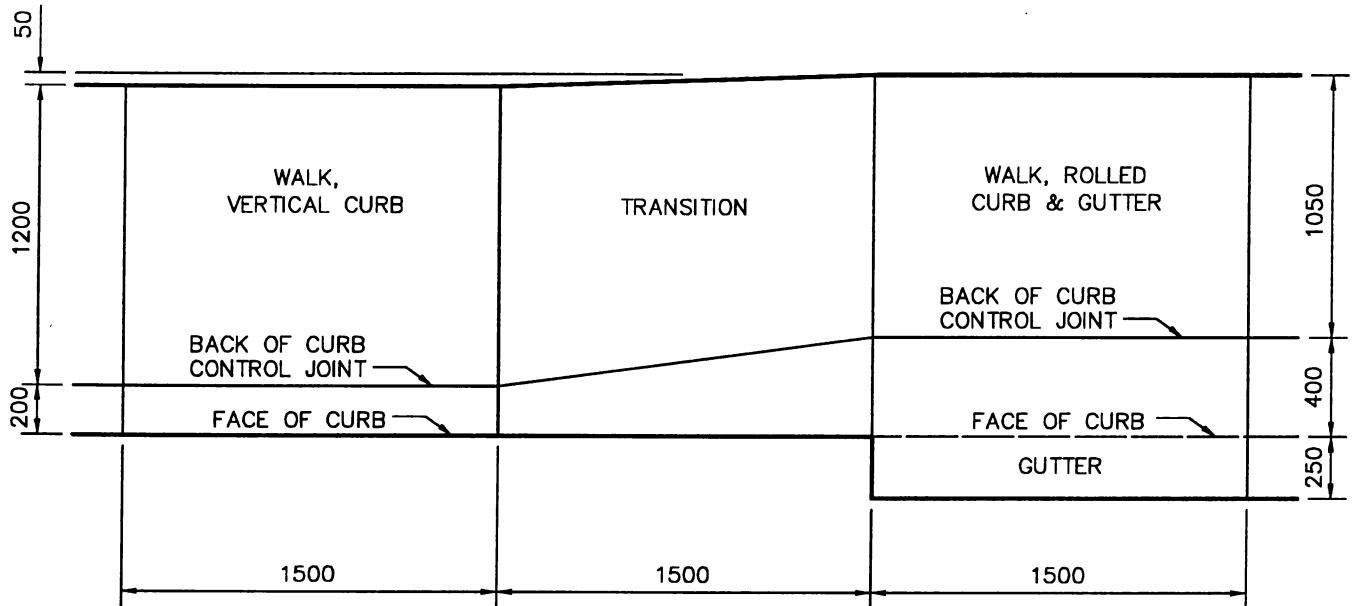
DATE FEBRUARY 1, 1999

CHECKED BY _____

DATE _____

R-5



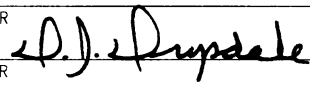
PLAN NO. **102-0002-027r001**

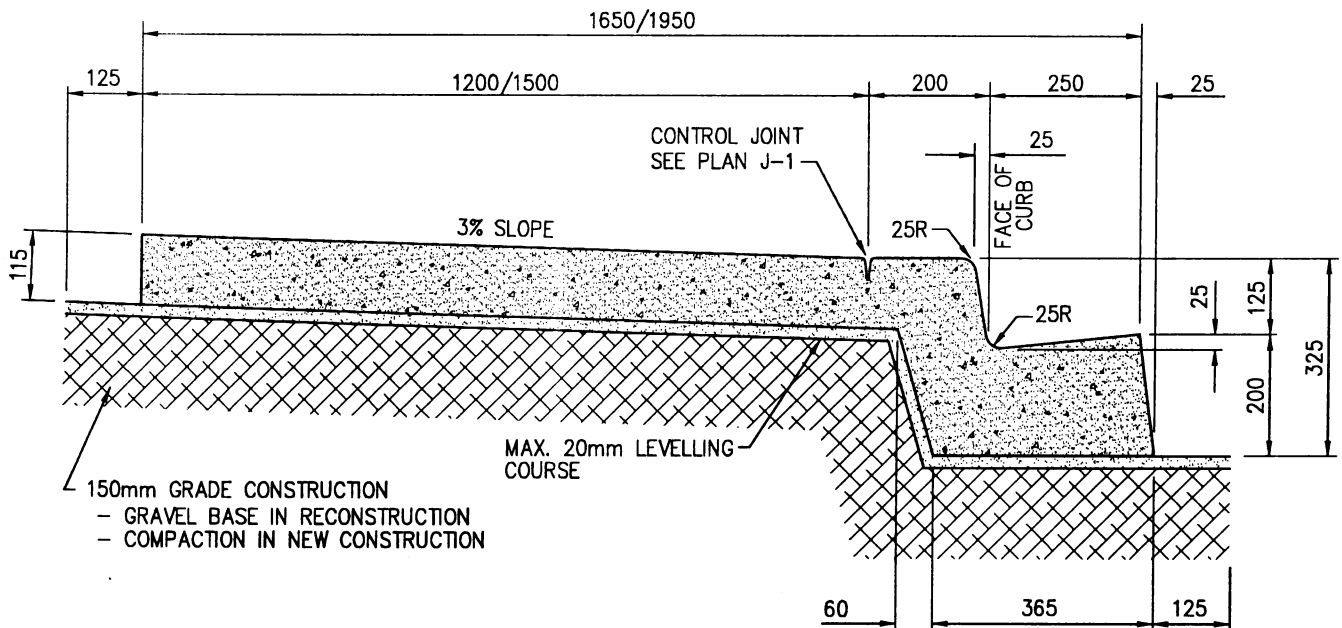


**TRANSITION FROM WALK & VERTICAL CURB
TO WALK, ROLLED CURB & GUTTER**

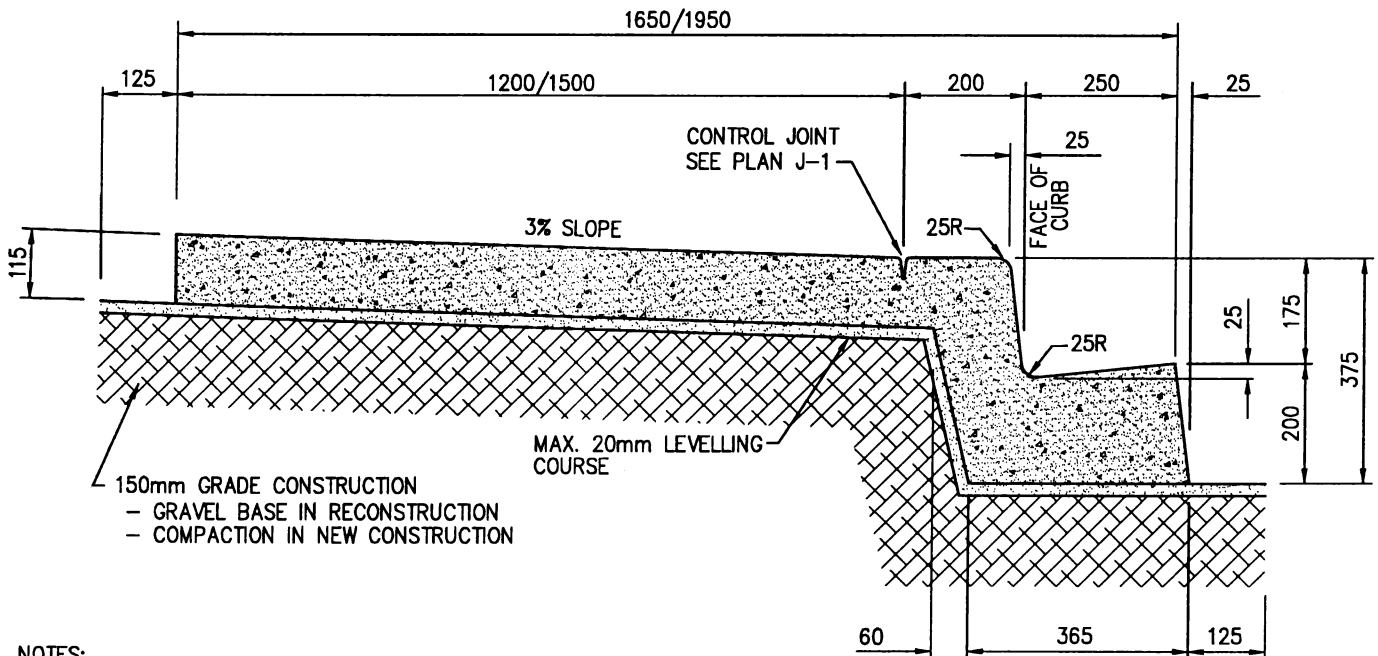
NOTES:

1. IN TRANSITIONS, ALWAYS LINE UP FACE OF CURB
2. GUTTER & BACK OF WALK TRANSITIONS TO OCCUR OVER ONE PANEL

REVISIONS	 <p>CITY OF SASKATOON INFRASTRUCTURE SERVICES</p>	APPROVED
1		 GENERAL MANAGER P. ENG.
2		 ENGINEER
3		ENGINEER SCALES : HOR. 1:30 VERT. _____ PLAN NO. 102-0002-028r001
DRAWN BY <u>R. OTTENBREIT</u> DATE <u>FEBRUARY 1, 1999</u>		<p>TRANSITION, TYPICAL SIDEWALK</p>
CHECKED BY _____ DATE _____		T-1



150mm VERTICAL CURB



200mm VERTICAL CURB

NOTES:

1. CONCRETE STANDARD:
32 MPa DURA-MIX CONCRETE
5-8% AIR AS PER SPEC.
2. COMPACTION STANDARD:
98% STANDARD PROCTOR AS PER SPEC.
3. BROOM FINISH WALK, CURB FACE &
GUTTER. BROOM OVER ALL CONTROL JOINTS.
4. SPACING OF CONTROL JOINTS TO BE 1.5M
5. WALK WIDTH DIMENSIONS ARE TYPICAL WIDTHS FOR NEW
CONSTRUCTION. THEY MAY VARY WITH RETROFITS.

REVISIONS

1	
2	
3	

DRAWN BY R. OTTENBREIT

DATE FEBRUARY 1, 1999

CHECKED BY _____

DATE _____



CITY OF SASKATOON
INFRASTRUCTURE SERVICES

**COMBINED WALK,
VERTICAL CURB & GUTTER**

APPROVED

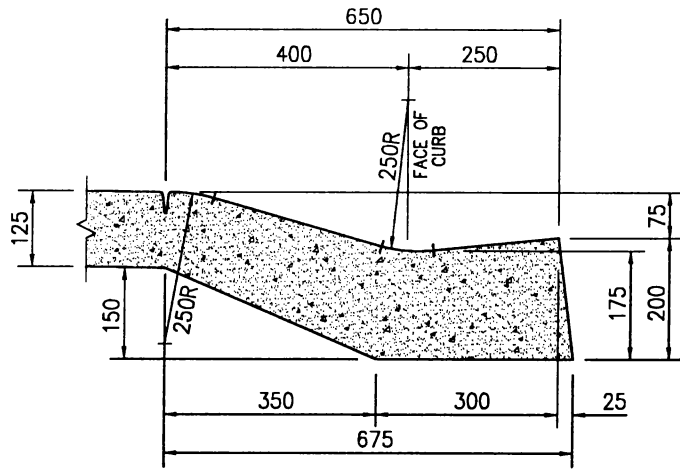
GENERAL MANAGER *[Signature]* P. ENG.

ENGINEER *[Signature]*

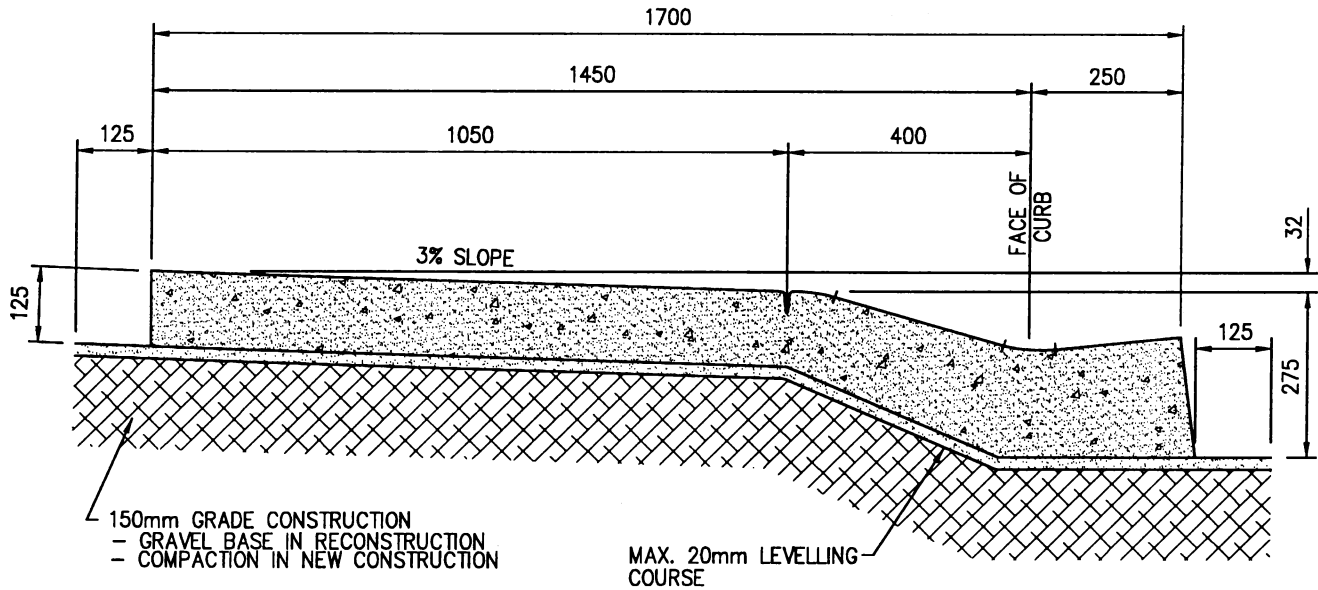
ENGINEER *[Signature]*

SCALES : HOR. 1:12.5 VERT. _____

W-1 PLAN NO. 102-0002-029r001



ROLLED CURB & GUTTER



NOTES:

1. CONCRETE STANDARD:
 32 MPa DURA-MIX CONCRETE
 5-8% AIR AS PER SPEC.
2. COMPACTION STANDARD:
 98% STANDARD PROCTOR AS PER SPEC.
3. BROOM FINISH WALK TRANSVERSELY.
 BROOM FINISH CURB & GUTTER LONGITUDINALLY.
4. BROOM OVER ALL CONTROL JOINTS.
5. SPACING OF CONTROL JOINTS TO BE 1.5M

REVISIONS

1	
2	
3	

DRAWN BY R. OTTENBREIT
 DATE FEBRUARY 1, 1999
 CHECKED BY _____
 DATE _____



**WALK,
 ROLLED CURB & GUTTER**

APPROVED

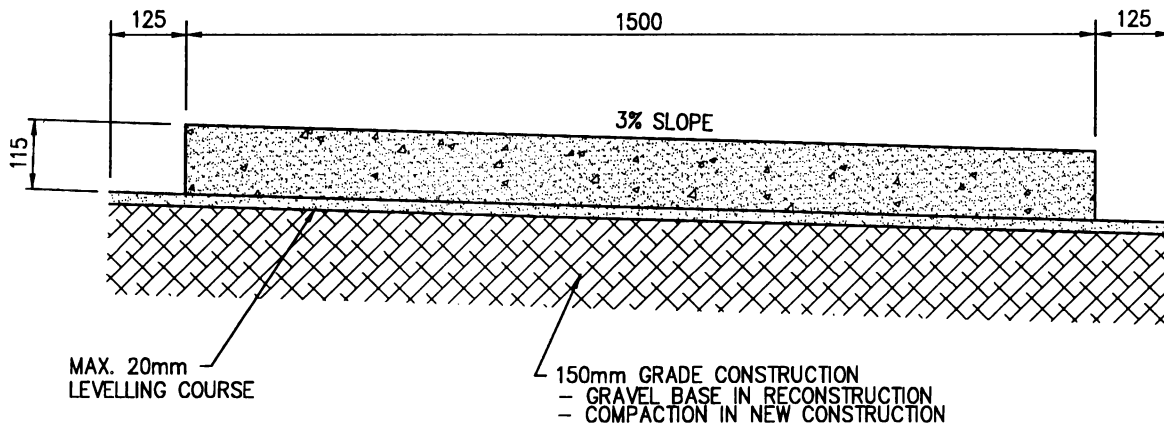
GENERAL MANAGER [Signature] P. ENG.

ENGINEER

ENGINEER [Signature]

SCALES :
 HOR. 1:12.5 VERT. _____

W-2 PLAN NO. **102-0002-030r001**



NOTES:

1. CONCRETE STANDARD:
32 MPa DURA-MIX CONCRETE
5-8% AIR AS PER SPEC.
2. COMPACTION STANDARD:
98% STANDARD PROCTOR AS PER SPEC.
3. BROOM FINISH WALK, CURB FACE &
GUTTER. BROOM OVER ALL CONTROL JOINTS.
4. SPACING OF CONTROL JOINTS TO BE 1.5M
5. WALK WIDTH DIMENSIONS ARE TYPICAL WIDTHS FOR NEW
CONSTRUCTION. THEY MAY VARY WITH RETROFITS.

REVISIONS

1	
2	
3	



APPROVED

[Signature]
GENERAL MANAGER P. ENG.

ENGINEER
[Signature]
ENGINEER

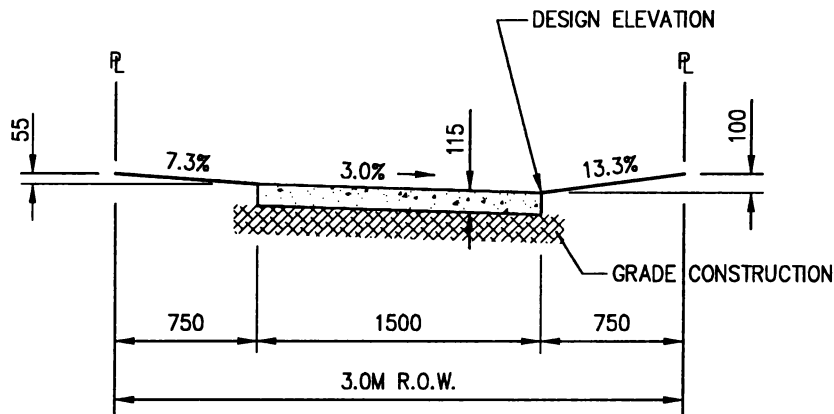
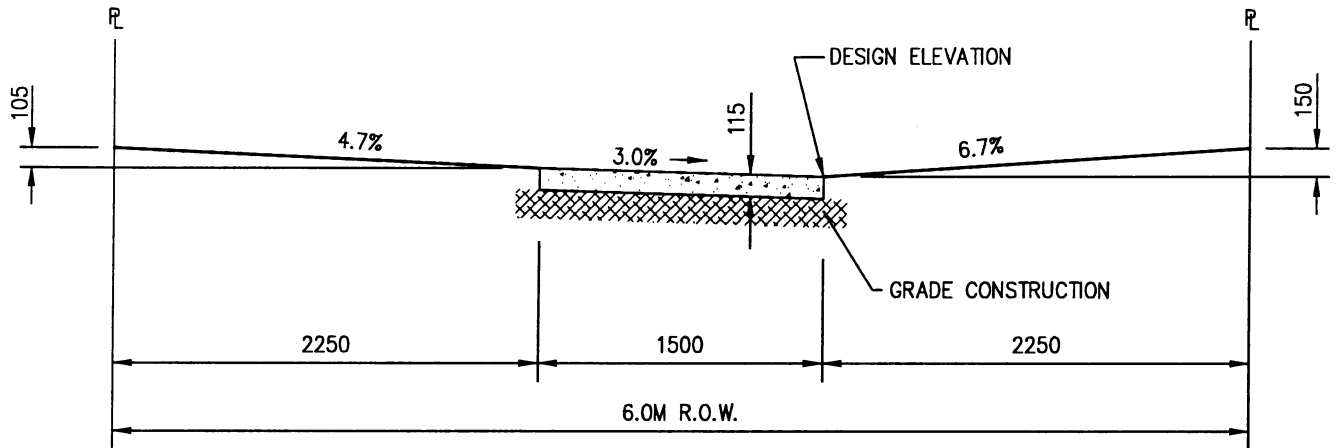
SCALES :
HOR. 1:12.5 VERT. _____

DRAWN BY R. OTTENBREIT
DATE FEBRUARY 1, 1999

CHECKED BY _____
DATE _____

SEPARATE WALK

W-3 PLAN NO. **102-0002-031r001**



NOTES:

1. CONCRETE STANDARD:
32 MPa DURA-MIX CONCRETE
5-8% AIR AS PER SPEC.
2. COMPACTION STANDARD:
98% STANDARD PROCTOR AS PER SPEC.
3. BROOM FINISH WALK, CURB FACE &
GUTTER. BROOM OVER ALL CONTROL JOINTS.
4. SPACING OF CONTROL JOINTS TO BE 1.5M
5. GUIDELINES FOR CONSTRUCTING WALKWAYS:
-THE CONCRETE SLAB SHOULD BE 115MM THICK & 1.5M WIDE
-THE WALKWAY SHOULD SLOPE THE SAME DIRECTION AS THE ADJACENT STREET GUTTER
6. EDGES OF WALKWAY R.O.W. ARE AT SAME ELEVATION.
7. ALTERNATE STRUCTURE MAY BE ASPHALT
CONCRETE SURFACED AS PER PLAN W-6.

REVISIONS

1	
2	
3	
DRAWN BY <u>R. OTTENBREIT</u>	
DATE <u>FEBRUARY 1, 1999</u>	
CHECKED BY _____	
DATE _____	



CITY OF SASKATOON
INFRASTRUCTURE SERVICES

**CONCRETE
WALKWAY**

APPROVED

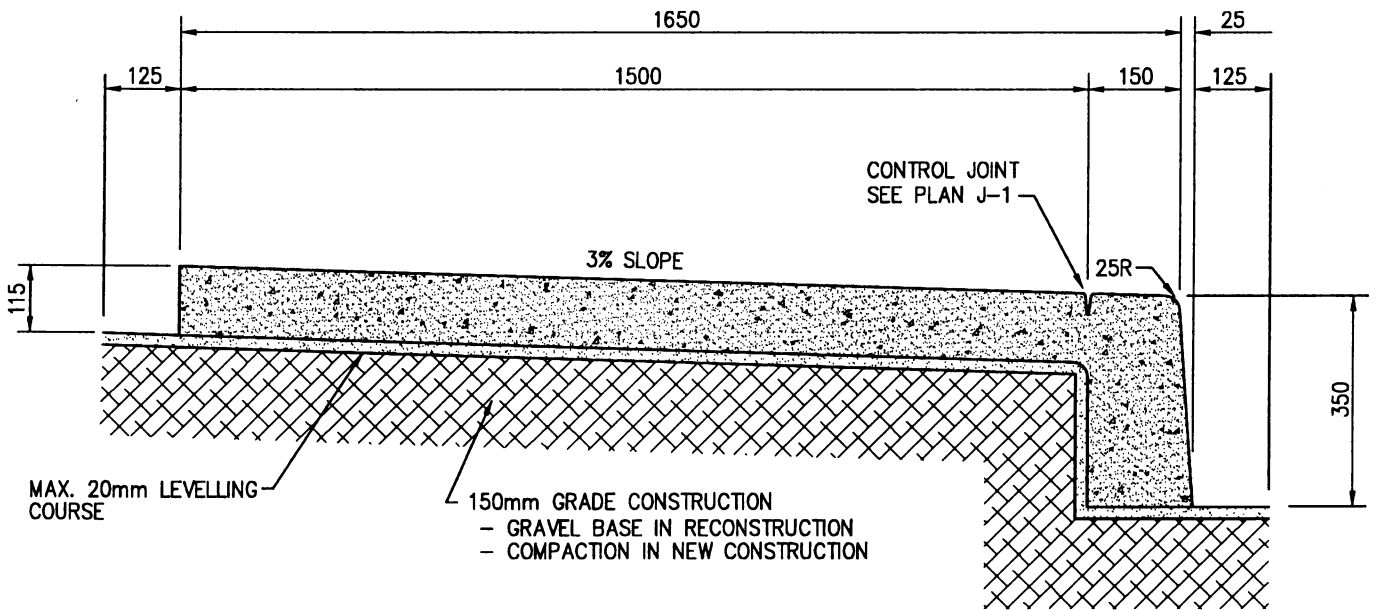
GENERAL MANAGER *[Signature]* P. ENG.

ENGINEER *[Signature]*

SCALES : HOR. 1:40 VERT. 1:20

W-4

PLAN NO. **102-0002-032r001**



NOTES:

1. CONCRETE STANDARD:
32 MPa DURA-MIX CONCRETE
5-8% AIR AS PER SPEC.
2. COMPACTION STANDARD:
98% STANDARD PROCTOR AS PER SPEC.
3. BROOM FINISH WALK, CURB FACE &
GUTTER. BROOM OVER ALL CONTROL JOINTS.
4. SPACING OF CONTROL JOINTS TO BE 1.5M

REVISIONS

1	
2	
3	



APPROVED

GENERAL MANAGER *[Signature]* P. ENG.

ENGINEER *[Signature]*

ENGINEER *[Signature]*

SCALES : HOR. 1:12.5 VERT. _____

COMBINED WALK & VERTICAL CURB

DRAWN BY R. OTTENBREIT

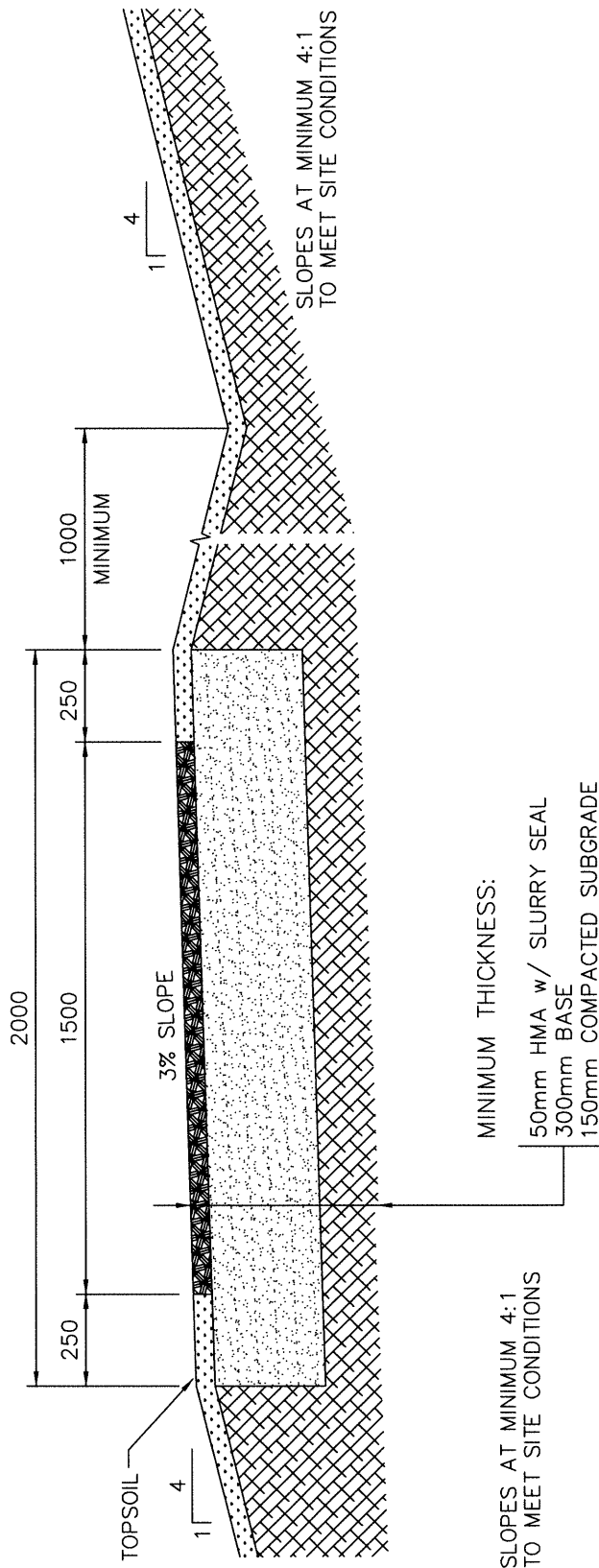
DATE FEBRUARY 1, 1999

CHECKED BY _____

DATE _____

W-5

PLAN NO. 102-0002-033r001



MINIMUM THICKNESS:
 50mm HMA w/ SLURRY SEAL
 300mm BASE
 150mm COMPACTED SUBGRADE

TYPICAL X-SECTION

REVISIONS	
1	ADDED NOTE STATING MINIMUM THICKNESS 2014-DEC-15 HLO
2	INCREASED BASE FROM 100mm to 300mm 2015-NOV-26 HLO
3	

DRAWN BY R. OTTENBREIT
 DATE FEBRUARY 1, 1999

SCALES :
 HOR. 1:20 VERT. _____

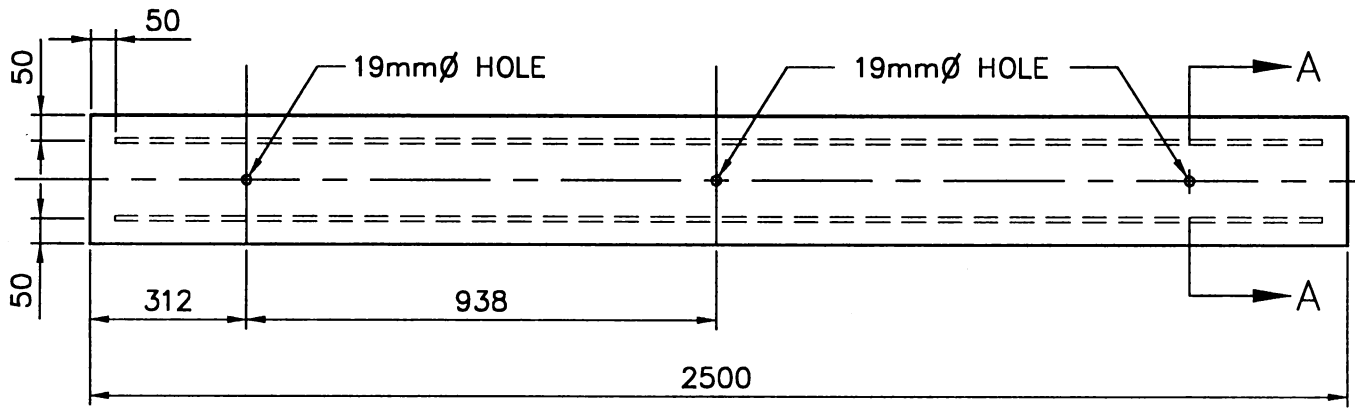
City of Saskatoon
 Transportation & Utilities Department

ASPHALT PATHWAY

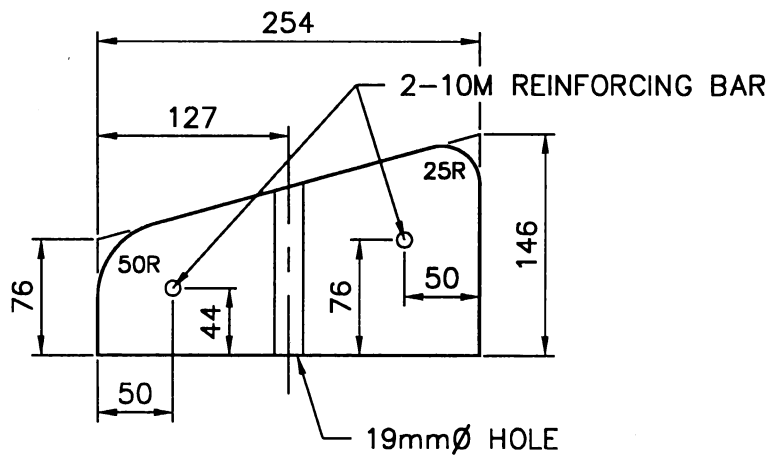
CHIEF ENGINEER DATE JAN 08 2016

ENGINEER DATE JAN 08 2016

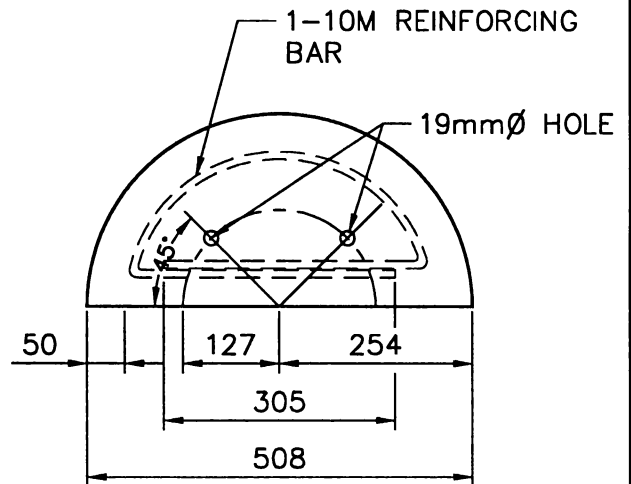
PLAN NO. 102-0002-034r003



PLAN OF CURB
SCALE 1:15




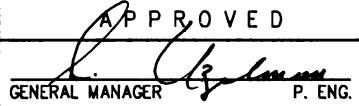
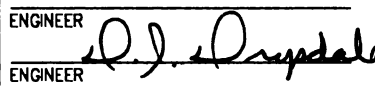
CURB SECTION A-A
SCALE 1:5

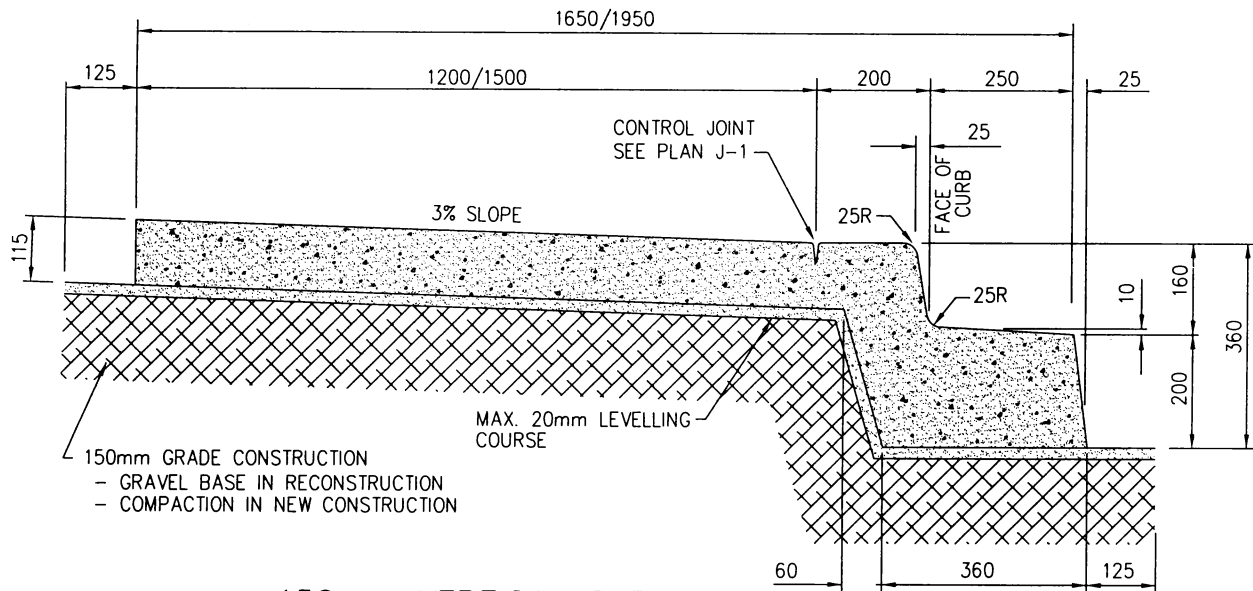


PLAN OF MEDIAN CURB END
SCALE 1:10

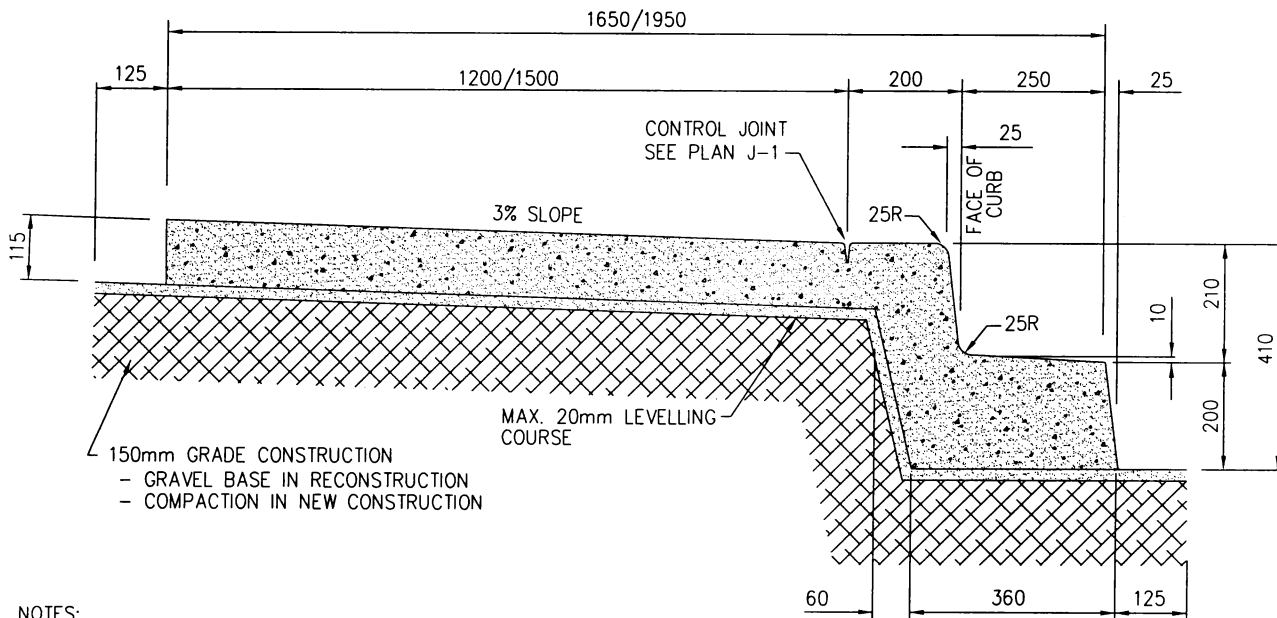
NOTE:

1. CURBS SHALL BE SECURED TO THE FOUNDATION WITH DRIFT PINS, PINS SHALL BE 16mm ϕ x 381mm. EACH PIN SHALL HAVE A SHARPENED POINT AND NO HEAD.
2. IF REQUIRED, RADII, LARGER THAN 254mm, WILL BE SPECIFIED.
3. DIMENSIONS ARE IN MILLIMETERES.
4. MINOR VARIATIONS IN DIMENSIONS MAY BE TOLERATED AT THE DISCRETION OF THE ENGINEER.

REVISIONS		 INFRASTRUCTURE SERVICES Saskatoon	APPROVED		
1			 GENERAL MANAGER P. ENG.		
2			 ENGINEER		
3					
DRAWN BY <u>J. LEIER</u>		PRECAST CONCRETE CURB	SCALES : HOR. <u>AS NOTED</u> VERT. _____		
DATE <u>00-02-10</u>					
CHECKED BY _____					
DATE _____		MISC. 324 PLAN NO. 102-0002-035r001			



150mm VERTICAL CURB



200mm VERTICAL CURB

NOTES:

1. CONCRETE STANDARD:
32 MPa DURA-MIX CONCRETE
5-8% AIR AS PER SPEC.
2. COMPACTION STANDARD:
98% STANDARD PROCTOR AS PER SPEC.
3. BROOM FINISH WALK, CURB FACE &
GUTTER. BROOM OVER ALL CONTROL JOINTS.
4. SPACING OF CONTROL JOINTS TO BE 1.5M
5. WALK WIDTH DIMENSIONS ARE TYPICAL WIDTHS FOR NEW

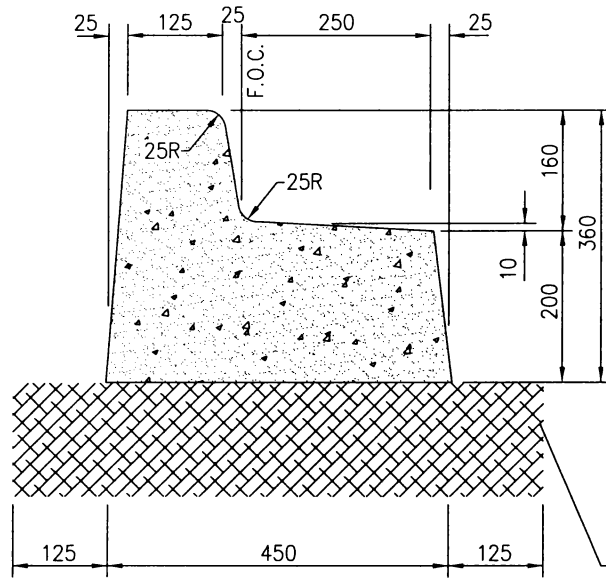
REVISIONS	
1	
2	
3	



DRAWN BY	R. KING
DATE	JULY 10, 2000
CHECKED BY	
DATE	

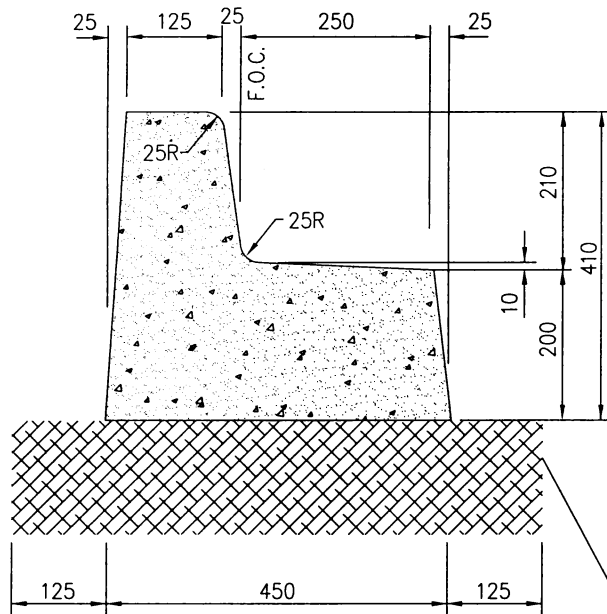
REVERSED CURB
AND GUTTER DETAIL

APPROVED	
<i>[Signature]</i>	P. ENG.
GENERAL MANAGER	
<i>[Signature]</i>	
ENGINEER	
<i>[Signature]</i>	
ENGINEER	
SCALES :	
HOR.	1:75
VERT.	_____
W-7	PLAN NO. 102-0002-036r001



150mm VERTICAL C&G

- 150mm GRADE CONSTRUCTION
- GRAVEL BASE IN RECONSTRUCTION
- COMPACTION IN NEW CONSTRUCTION



200mm VERTICAL C&G

- 150mm GRADE CONSTRUCTION
- GRAVEL BASE IN RECONSTRUCTION
- COMPACTION IN NEW CONSTRUCTION

NOTES:

1. CONCRETE STANDARD:
32 MPa DURA-MIX CONCRETE
5-8% AIR AS PER SPEC.
2. COMPACTION STANDARD:
98% STANDARD PROCTOR AS PER SPEC.
3. BROOM FINISH TOP & FACE OF CURB AND GUTTER LONGITUDINALLY
4. BROOM OVER ALL CONTROL JOINTS.
5. SPACING OF CONTROL JOINTS TO BE 1.5M

REVISIONS	
1	
2	
3	

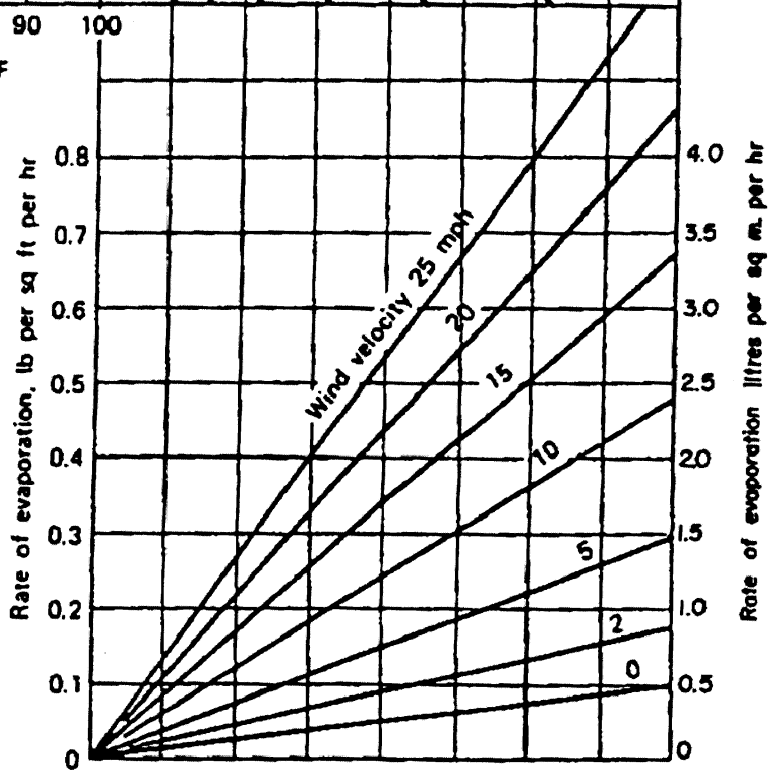
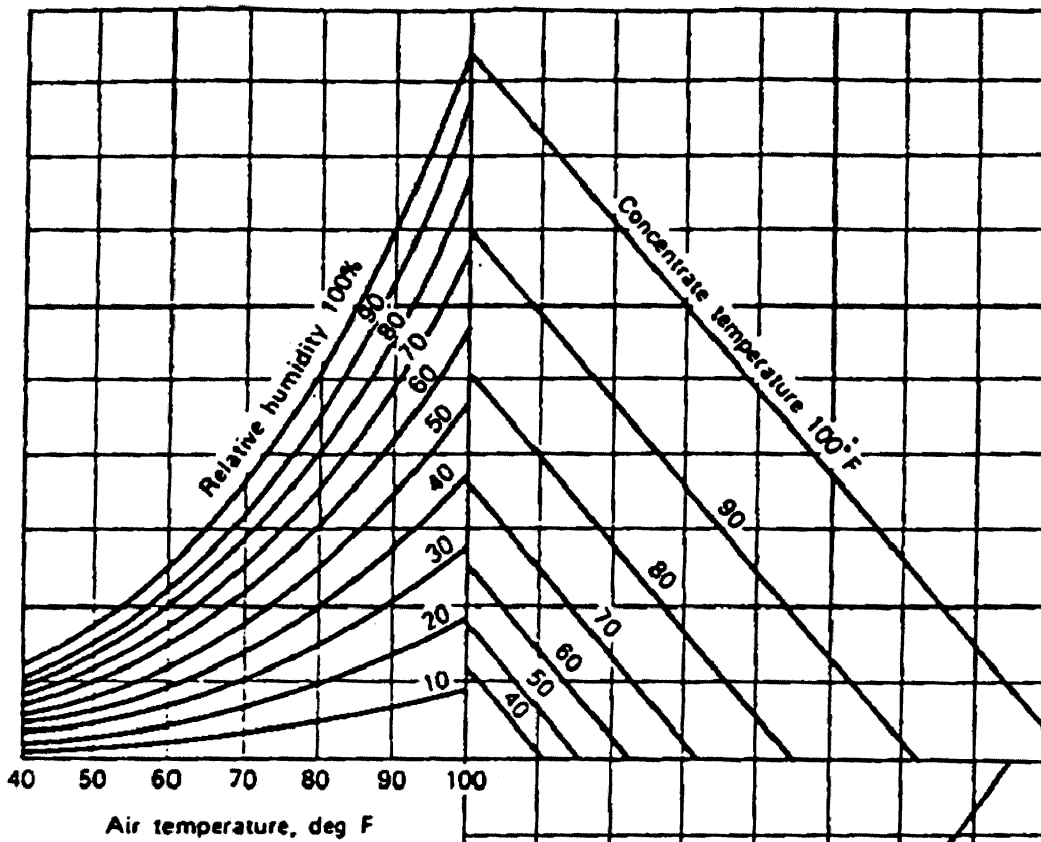


APPROVED
[Signature]
 GENERAL MANAGER P. ENG.
A. Boyle
 ENGINEER
D.J. Dupdale
 ENGINEER

DRAWN BY RYAN KING
 DATE AUGUST 10, 2000
 CHECKED BY _____
 DATE _____

REVERSED CURB AND GUTTER DETAIL

SCALES : HOR. 1:10 VERT. 1:10
 C-6 PLAN NO. 102-0002-037r001



TO USE THIS CHART:

1. ENTER WITH AIR TEMPERATURE; MOVE UP TO RELATIVE HUMIDITY
2. MOVE RIGHT TO CONCRETE TEMPERATURE
3. MOVE DOWN TO WIND VELOCITY
4. MOVE LEFT; READ APPROXIMATE RATE OF EVAPORATION

REVISIONS

1	
2	
3	

DRAWN BY R. OTTENBREIT
DATE 02-09-26

CHECKED BY _____
DATE _____



City of Saskatoon
Infrastructure Services Department

CONCRETE PLACEMENT
RATE OF MOISTURE LOSS CHART

APPROVED

GENERAL MANAGER P. ENG.

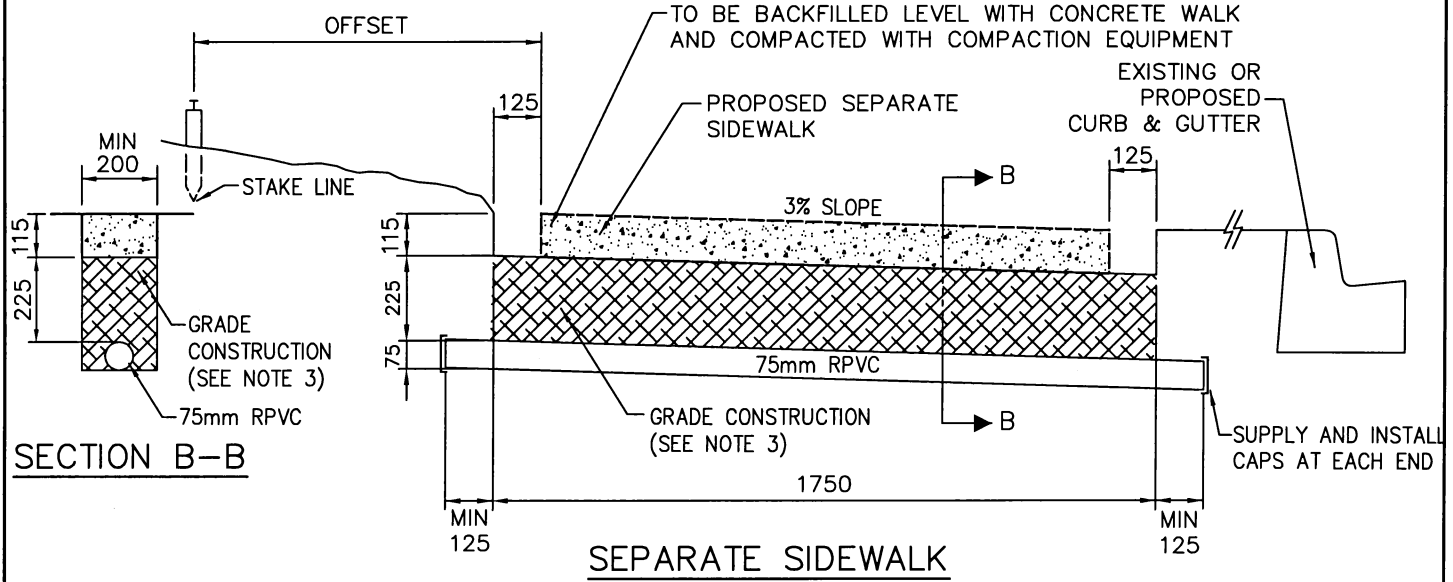
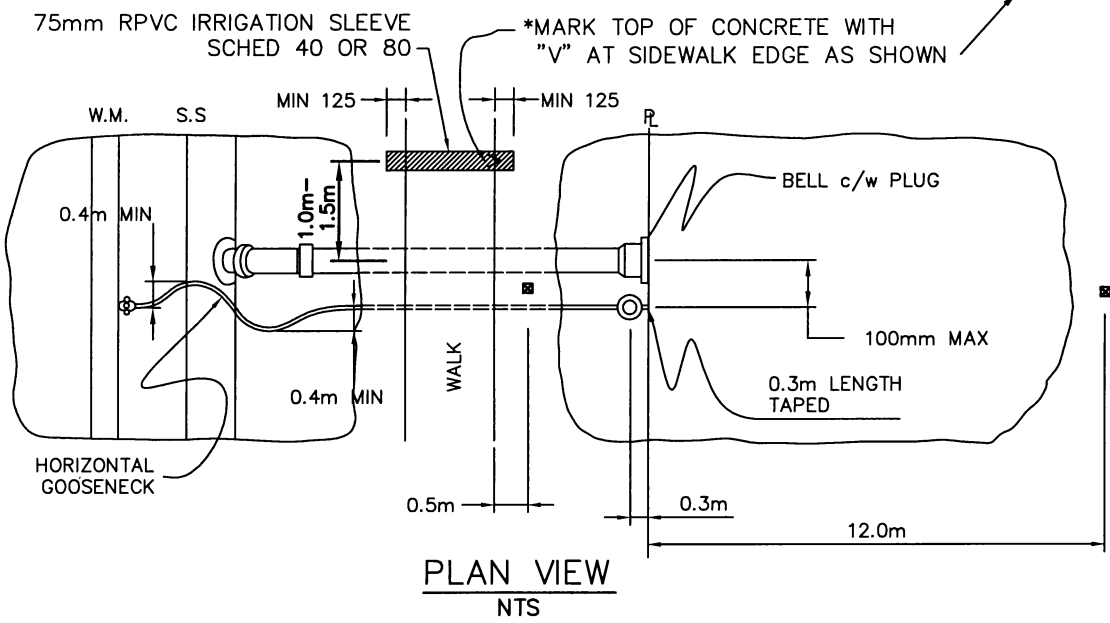
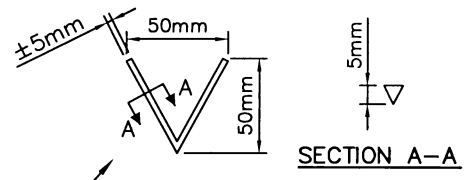
ENGINEER

ENGINEER

SCALES :

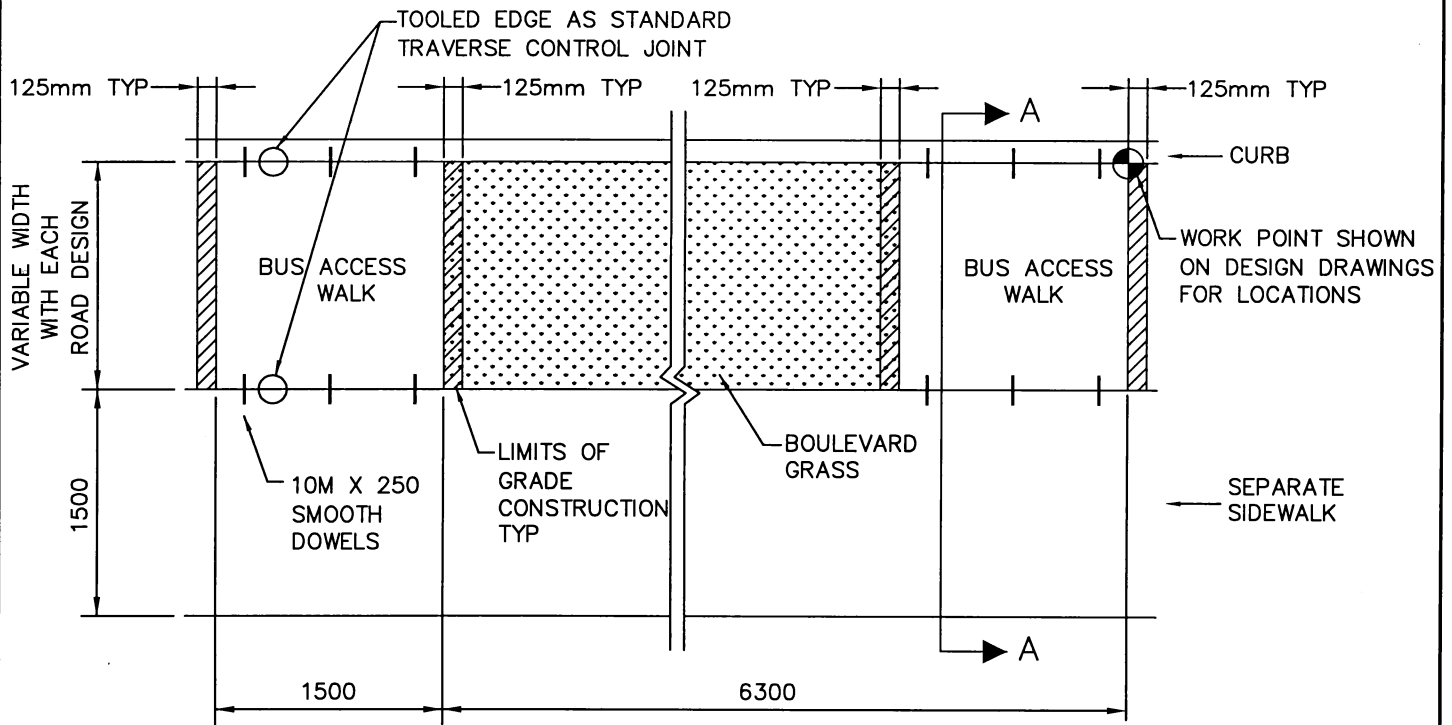
HOR. N/A

PLAN NO. 102-0002-038r001

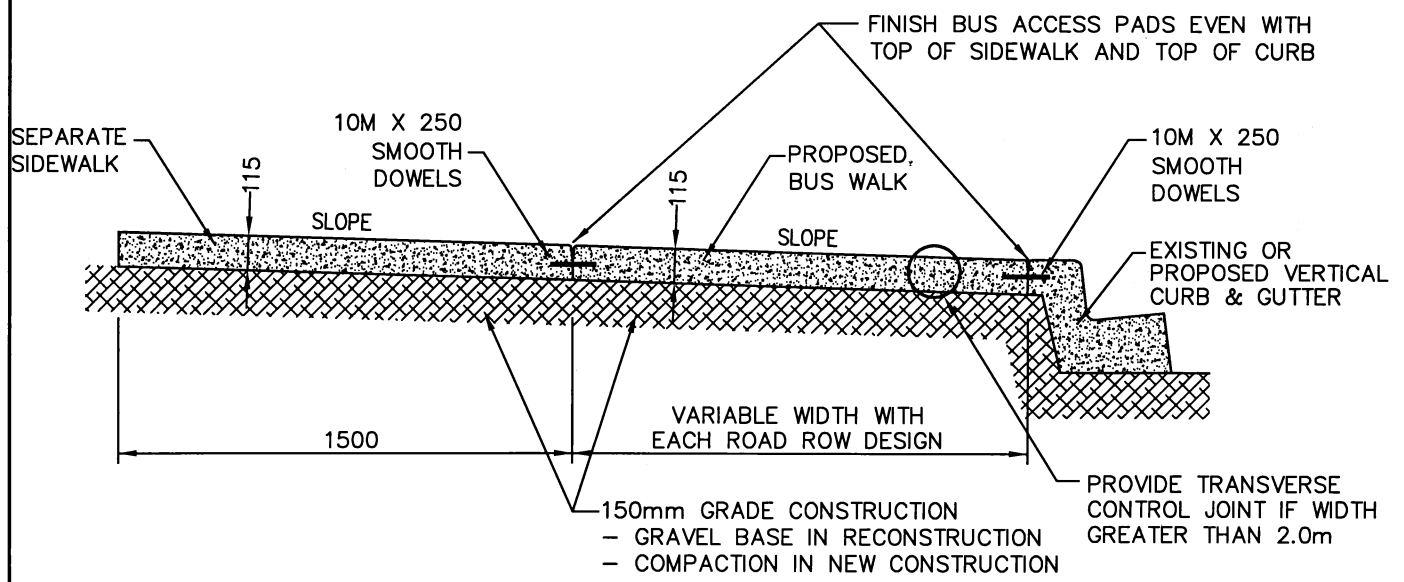


- NOTES:
1. SLEEVE TO BE INSTALLED AHEAD OF SIDEWALK SUBGRADE PREPARATION
 2. IRRIGATION SLEEVE REQUIRED AT EACH SERVICE CONNECTION OF EACH LOT WHERE SEPARATE SIDEWALK IS SHOWN
 3. COMPACTION STANDARD:
98% STANDARD PROCTOR AS PER SPEC.

REVISIONS			APPROVED	
1			 GENERAL MANAGER P. ENG.	
2			 ENGINEER	
3				
DRAWN BY <u>A. YOUNG</u> DATE <u>2003-02-25</u>		SEPARATE SIDEWALK IRRIGATION SLEEVE		
CHECKED BY _____ DATE _____				
		ENGINEER _____ SCALES : HOR. 1:20		
		PLAN NO. 102-0002-039r001		



PLAN VIEW



SECTION A-A
NTS

NOTES:

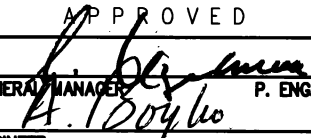
1. CONCRETE STANDARD 32MPa DURA-MIX CONCRETE 5-8% AIR AS PER SPEC.
2. BROOM FINISH BUS WALK PARALLEL TO STREET
3. LIMITS OF GRADE CONSTRUCTION TO BE BACKFILLED LEVEL WITH PAD AND COMPACTED WITH COMPACTION EQUIPMENT
4. REBAR TO BE STAINLESS STEEL, EPOXY COATED, OR GALVANIZED (EPOXY CAN NOT BE GALVANIZED)

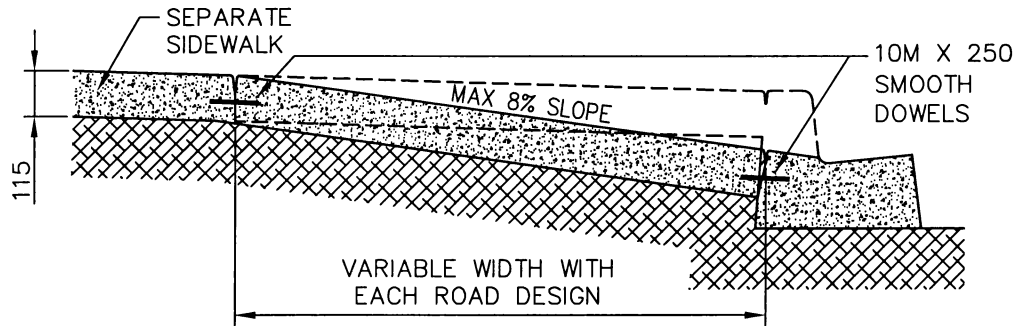
REVISIONS	
1	
2	
3	
DRAWN BY	A. YOUNG
DATE	2003-02-25
CHECKED BY	
DATE	



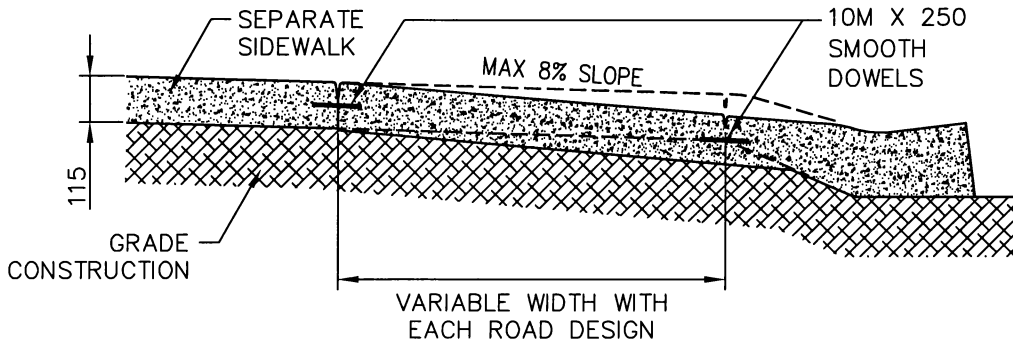
City of Saskatoon
Infrastructure Services Department

SEPARATE SIDEWALK
BUS STOP DETAIL

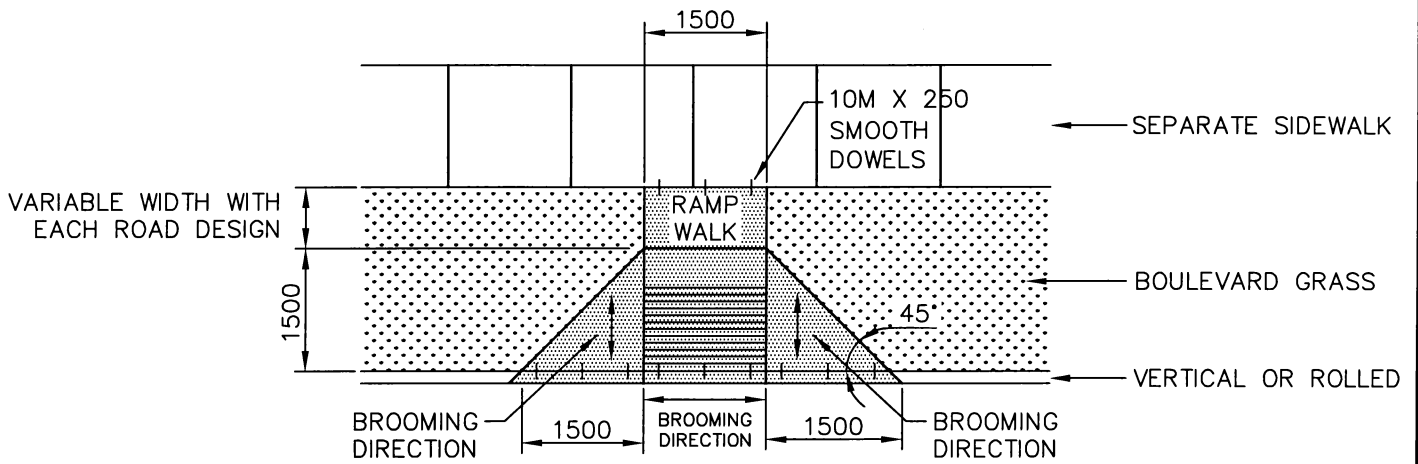
APPROVED	
 GENERAL MANAGER P. ENG. H. 1004/10	
ENGINEER	
ENGINEER	
SCALES : HOR. 1:20	
PLAN NO. 102-0002-040r001	



VERTICAL CURB SECTION



ROLLED CURB SECTION



CURB & SIDEWALK PLAN VIEW

NOTES:

1. REBAR TO BE STAINLESS STEEL, EPOXY COATED, OR GALVANIZED. (EPOXY CAN NOT BE DRIVEN)

REVISIONS	
1	
2	
3	



City of Saskatoon
Infrastructure Services Department

APPROVED

GENERAL MANAGER P. ENG.

ENGINEER

ENGINEER

SCALES :

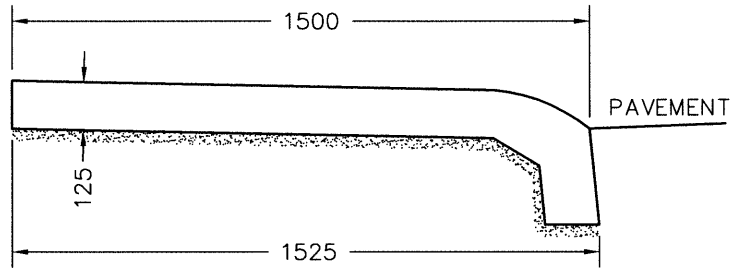
HOR. NTS

PLAN NO. 102-0002-041r001

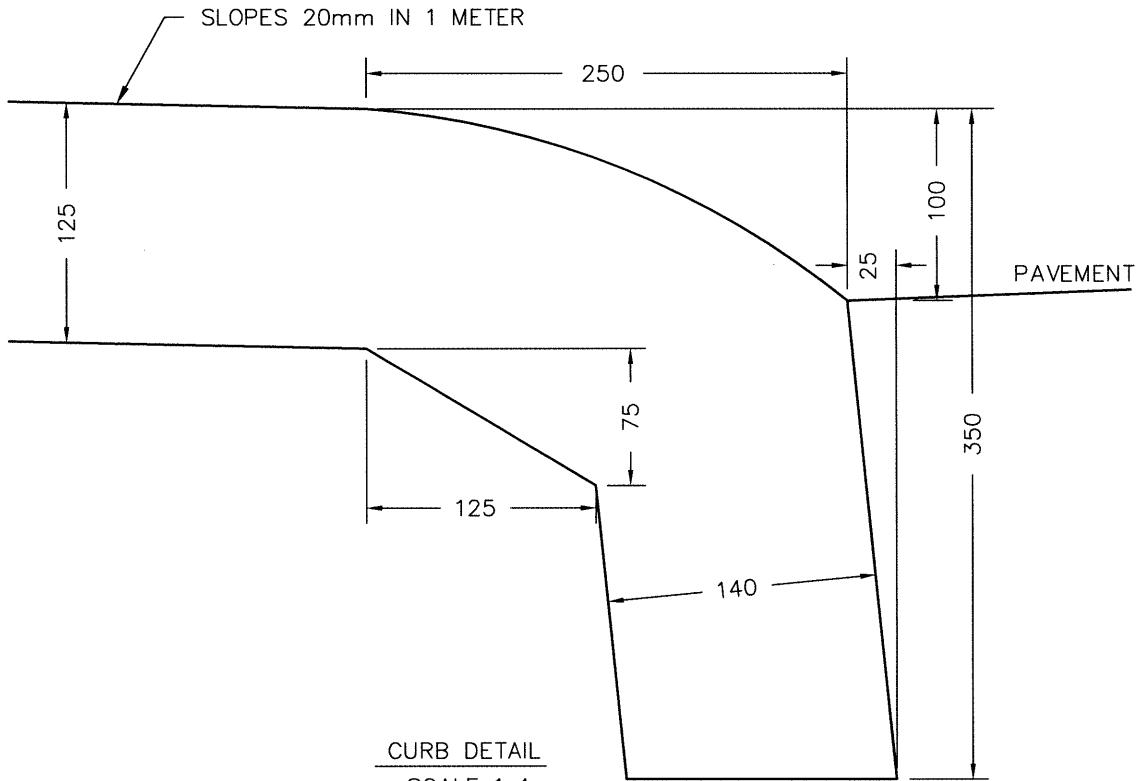
DRAWN BY A. YOUNG
DATE 2003-02-27
CHECKED BY _____
DATE _____

PERPENDICULAR SEPARATE
SIDEWALK RAMP DETAILS

ROLLED CURB AND SIDEWALK
1978 STYLE
EXCLUSIVELY FOR REPLACEMENTS



SECTION
SCALE 1:20



CURB DETAIL
SCALE 1:4

ALL DIMENSIONS IN MILLIMETRES UNLESS OTHERWISE NOTED

PLAN DESCRIPTION/REVISIONS	
4	
3	
2	
1	UPDATED DRAWING TO AUTOCAD 26-NOV-2015 HLO
	DRAWN BY P.F.
	DATE 30-MAY-1978
	SCALE : HOR. _____ VERT. _____

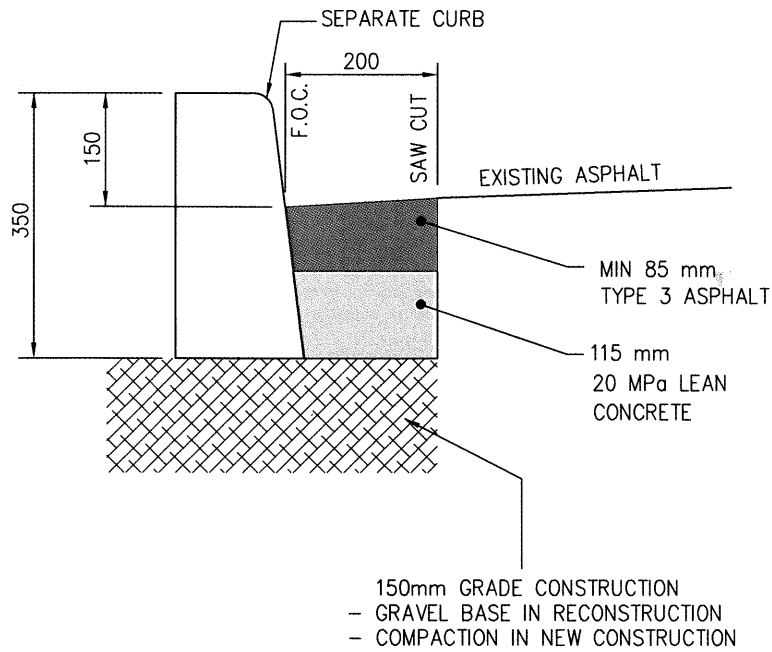


ROLLED CURB & SIDEWALK
1978 STYLE
FOR REPLACEMENT PURPOSES ONLY

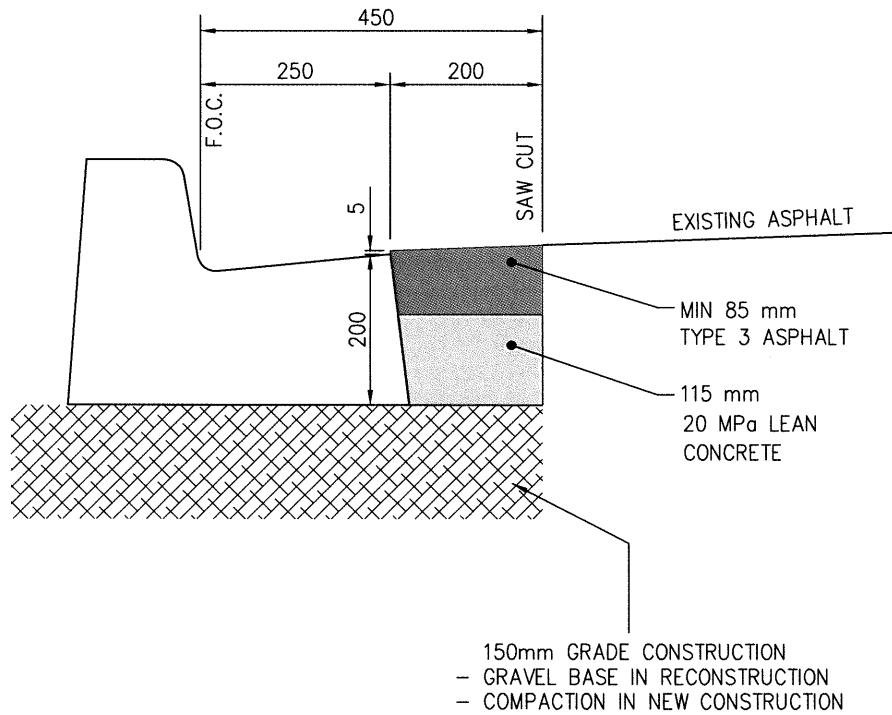
[Signature]
CHIEF ENGINEER
DATE JAN 08 2016

[Signature]
ENGINEER
DATE JAN 08 2016

PLAN NO. 102-0002-042r002



CURB




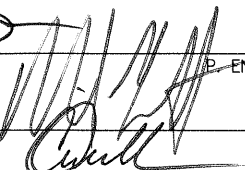
CURB AND GUTTER

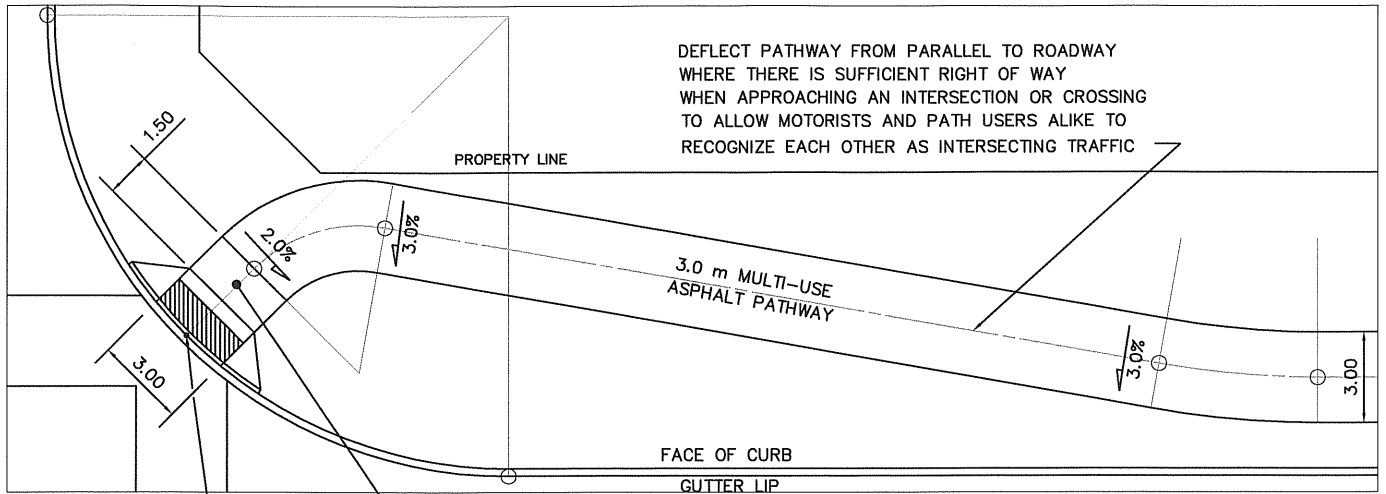
REVISIONS	
1	ASPHALT DEPTH MIN 85mm 15-DEC-2014 HLO
2	
3	
DRAWN BY <u>VK</u>	
DATE <u>09-01-27</u>	
CHECKED BY _____	
DATE _____	



City of Saskatoon
Transportation & Utilities Department

GUTTER PATCH PAVING

APPROVED	
	ENGINEER
	P. ENG.
ENGINEER	
SCALES : HOR. <u>1:10</u> <u>1:10</u>	
PLAN NO. 102-0002-049r002	



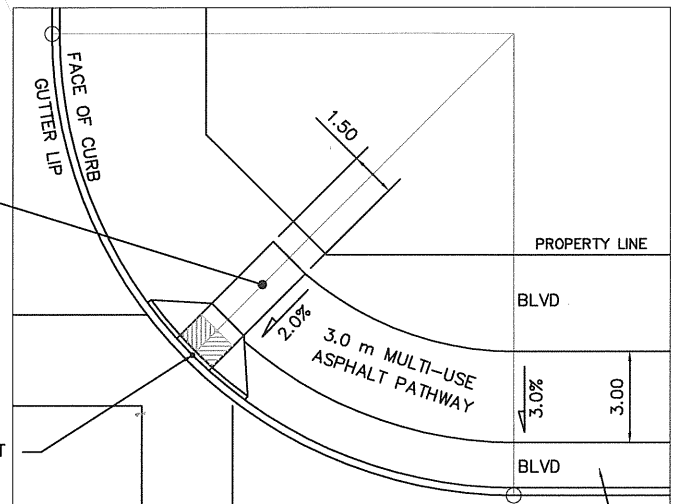
CURB RETURN MID-POINT

1.50 m LANDING AT NO MORE THAN 2.0% CROSSFALL OR LONGITUDINAL GRADE

1.50 m LANDING AT NO MORE THAN 2.0% CROSSFALL OR LONGITUDINAL GRADE

MULTI-USE PATHWAY RAMP CONFIGURATIONS

SCALE 1:250

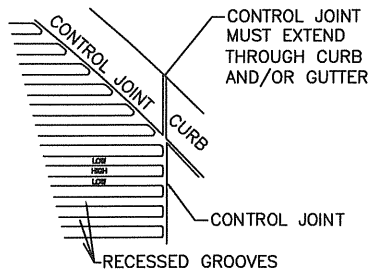


CURB RETURN MID-POINT

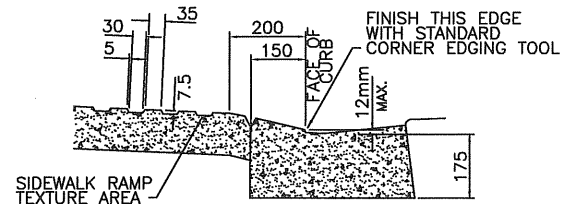
PATHWAY FRONT EDGE OFFSET FROM FACE OF CURB MAY VARY FROM 1.50 m MIN TO NO MORE THAN 3.0 m

NOTES:

1. GROOVES ON TEXTURED AREA ARE TO BE PLACED PERPENDICULAR TO THE CROSSWALK LINES OR WHERE NO CROSSWALK EXISTS, PERPENDICULAR TO A LINE BETWEEN THE TWO RAMP.
2. CONTROL JOINT MUST INTERCEPT THE BOTTOM OF RECESSED GROOVES.
3. CONTROL JOINT MUST BE SLIGHTLY DEEPER THAN RECESSED GROOVES.
4. DROP BACK OF WALK AS PER DRAWING 102-0002-023r001.DWG



PLAN VIEW
TEXTURED AREA
SCALE 1:20



CROSS-SECTION
TEXTURED AREA
SCALE 1:20

PLAN DESCRIPTION/REVISIONS

4	XXX XXX
3	
2	
1	

DRAWN BY LCI
DATE 2010-JAN-18

SCALE : HOR. AS SHOWN VERT. _____



City of Saskatoon
Infrastructure Services Department

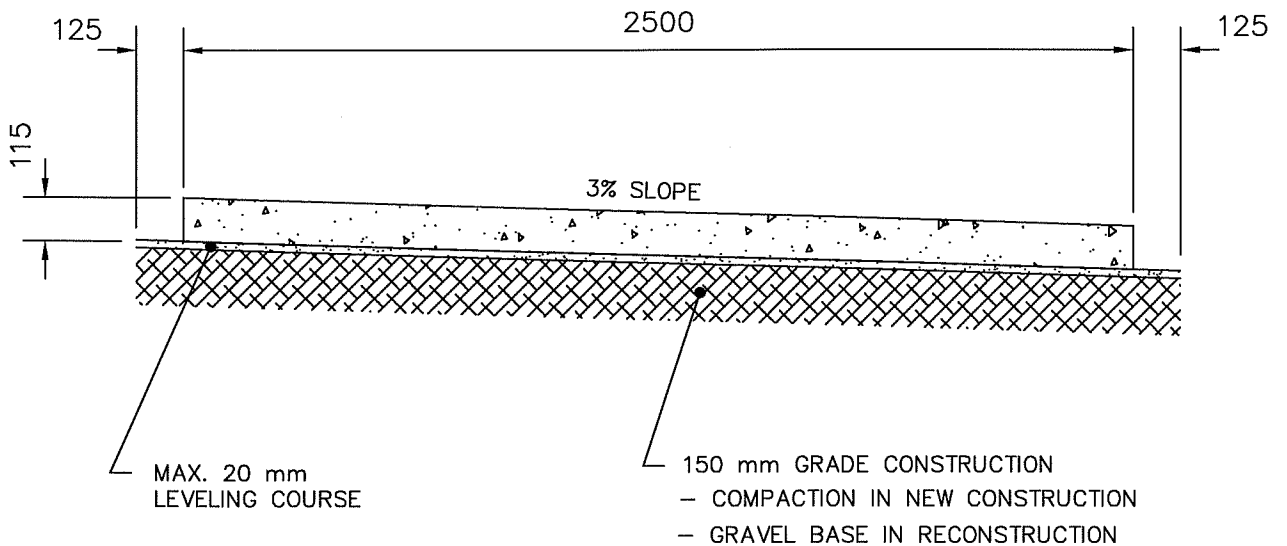
3.0 m MULTI-USE PATHWAY RAMP CONFIGURATIONS

APPROVED

GENERAL MANAGER

ENGINEER

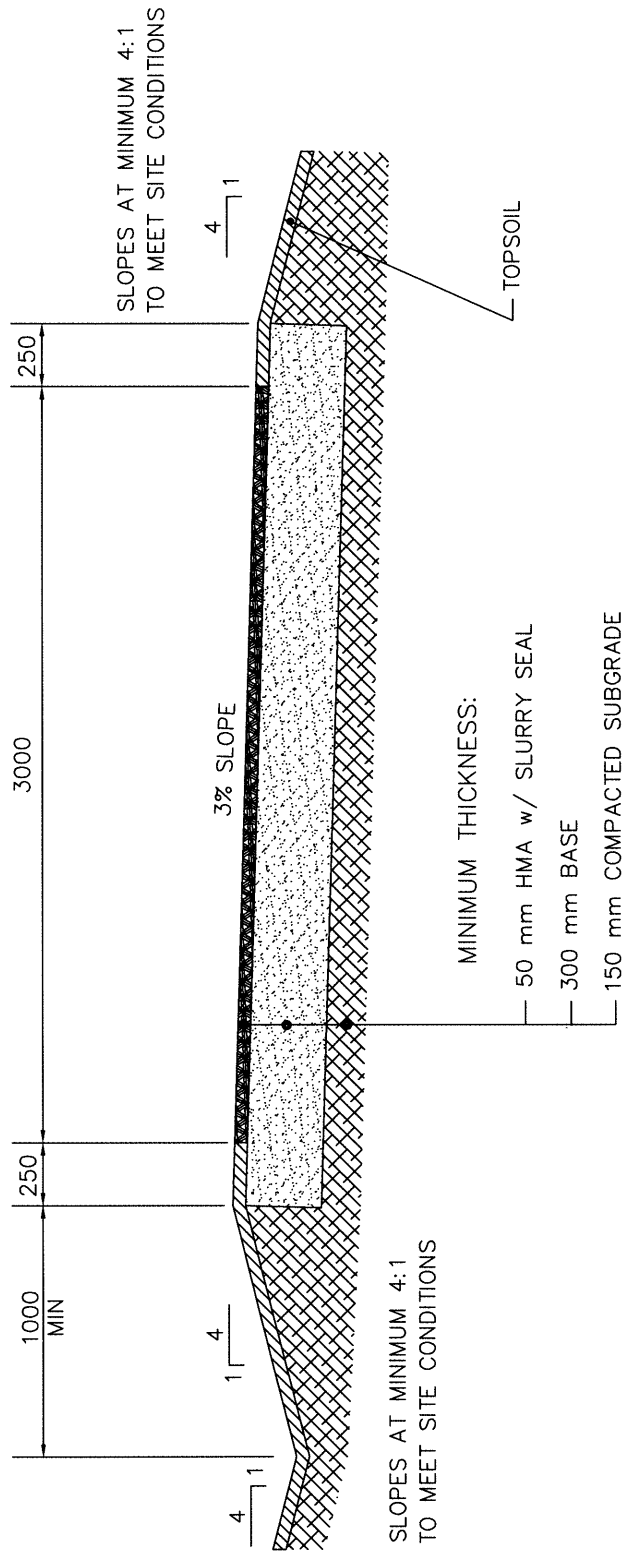
PLAN NO. 102-0002-052r001



1. CONCRETE STANDARD:
 32 MPa DURA-MIX CONCRETE
 5-8% AIR AS PER SPEC.
 ASPHALT IS NOT AN ACCEPTABLE SUBSTITUTION
2. COMPACTION STANDARD:
 98% STANDARD PROCTOR AS PER SPEC.
3. BROOM FINISH WALK.
 BROOM OVER ALL CONTROL JOINTS
4. SPACING OF CONTROL JOINTS TO BE 1.5 m
5. WALK WIDTH DIMENSIONS ARE TYPICAL FOR NEW CONSTRUCTION, THEY MAY VARY WITH RETROFITS.

2.50 m SIDEWALK FOR USE IN ROW ALONG ARTERIALS
 OFFSET FROM CURB
 OPERATING SPEEDS OF ADJACENT ROADS \leq 60 km/h

PLAN DESCRIPTION/REVISIONS 4 XXX XXX 3 2 1	 City of Saskatoon Infrastructure Services Department	APPROVED  GENERAL MANAGER  ENGINEER  ENGINEER
DRAWN BY <u>LCI</u> DATE <u>2011-JUL-11</u> SCALE : HOR. <u>1:20</u> VERT. _____	2500 SEPARATE WALKWAY CONCRETE	AG. PLAN NO. 102-0002-054r001



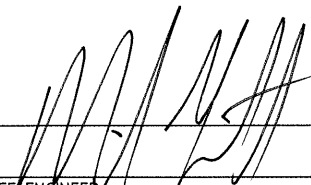

3.0 m MULTI-USE PATHWAY:
 FOR USE IN ROW ALONG ARTERIALS, EXPRESSWAYS & FREEWAYS WITHOUT FRONTAGE (ie DRIVEWAYS)
 OFFSET FROM PROPERTY LINES
 OPERATING SPEEDS OF ADJACENT ROADS > 60 km/h

BASED ON ASPHALT PATHWAY
 102-0002-034

PLAN DESCRIPTION/REVISIONS	
4	
3	
2	INCREASED BASE FROM 100mm to 300mm 2016-JAN-06 HLO
1	ADDED NOTE STATING MINIMUM THICKNESS 2014-DEC-15 HLO
DRAWN BY <u>LCI</u>	
DATE <u>2011-JUL-11</u>	
SCALE : HOR. <u>1:30</u> VERT. _____	



3000 MULTI-USE PATHWAY
 ASPHALT


 CHIEF ENGINEER
 DATE JAN 08 2016

 ENGINEER
 DATE JAN 08 2016
 PLAN NO. 102-0002-055r003

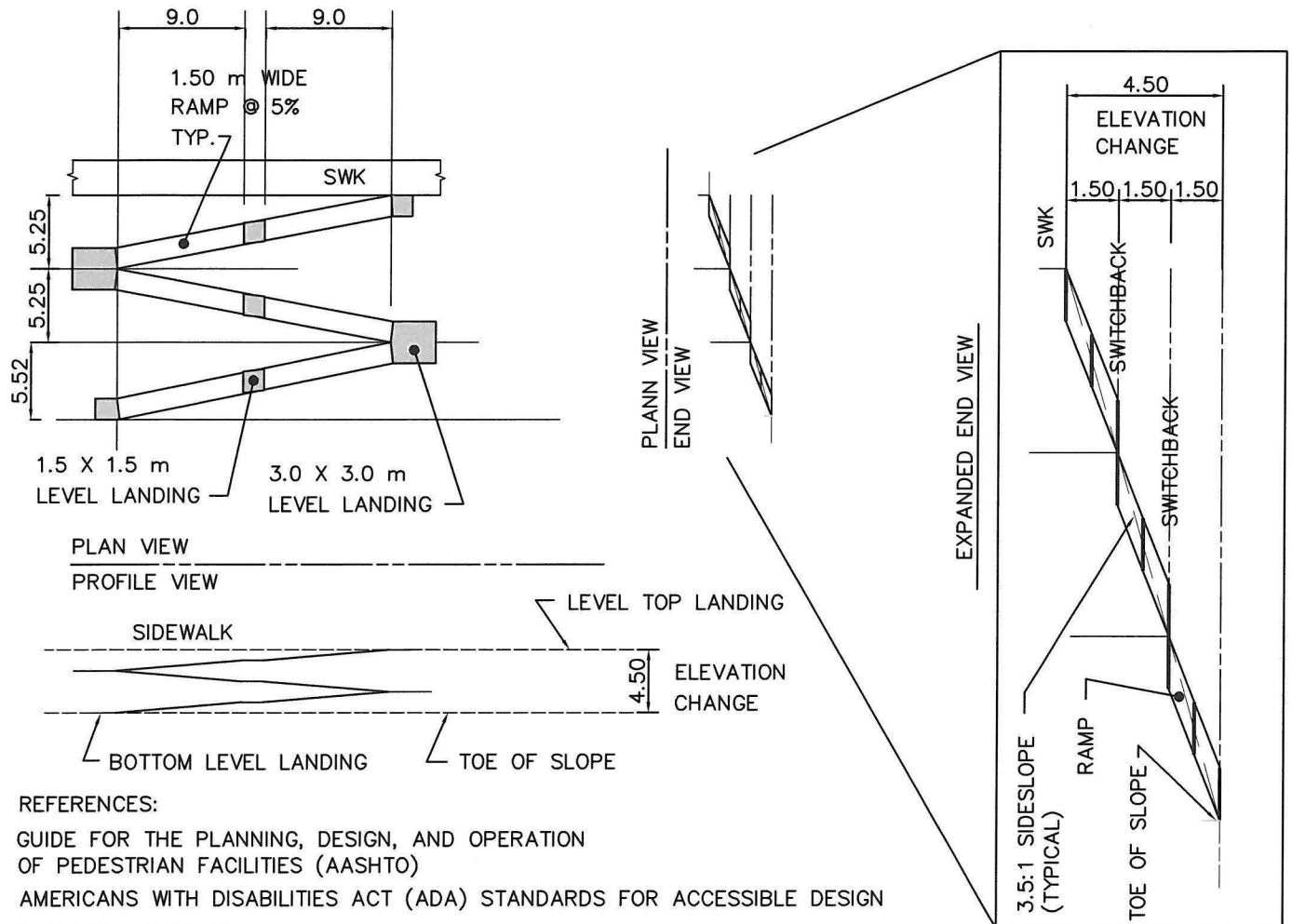
C:\General Projects\Development Standards\1020002057r002_UKN.dwg, 10/10/2013 1:33:39 PM

SIDEWALK RAMP GRADE CRITERIA *	
ADJACENT TO PUBLIC ROW	
MAXIMUM SIDEWALK GRADE ADJACENT TO ROADWAY	NO LIMIT IF IT FOLLOWS THE GRADE OF THE STREET
MAXIMUM CROSS SLOPE	2%
NOT ADJACENT TO PUBLIC ROW	
MAXIMUM SIDEWALK RAMP GRADE WITHOUT RAILINGS	5% (1V:20H)
MAXIMUM RAMP GRADE WITH HANDRAILS AND LANDINGS	8.3% (1V:12H)

1. A WALKWAY WITH A SLOPE GENTLER THAN 5% (1:20) IS NOT CONSIDERED A RAMP AND MAY BE ANY LENGTH (CSA-B651-95 4.3.2)
2. RAMPS SHALL HAVE LEVEL LANDINGS AT THE TOP & BOTTOM OF EACH RUN AND ALSO WHERE THE RAMP CHANGES DIRECTION (CSA-B651-95 4.3.4.1)
3. RAMP SLOPE SHALL NOT BE STEEPER THAN 8.3% (1V:12H) AND MAX HORIZ. LENGTH BETWEEN LANDINGS SHALL NOT EXCEED 9.0 m (CSA-B651-95 4.3.1)
4. MAXIMUM CROSS SLOPE SHALL BE 2% ADA 4.8.6 & CSA-B651-95 4.3.2
5. HANDRAIL REQUIREMENTS SEE ADA 4.8.5 (1)

EXAMPLE SHOWN: *PED FACILITIES (AASHTO) EXHIBIT 3-11 PG 63

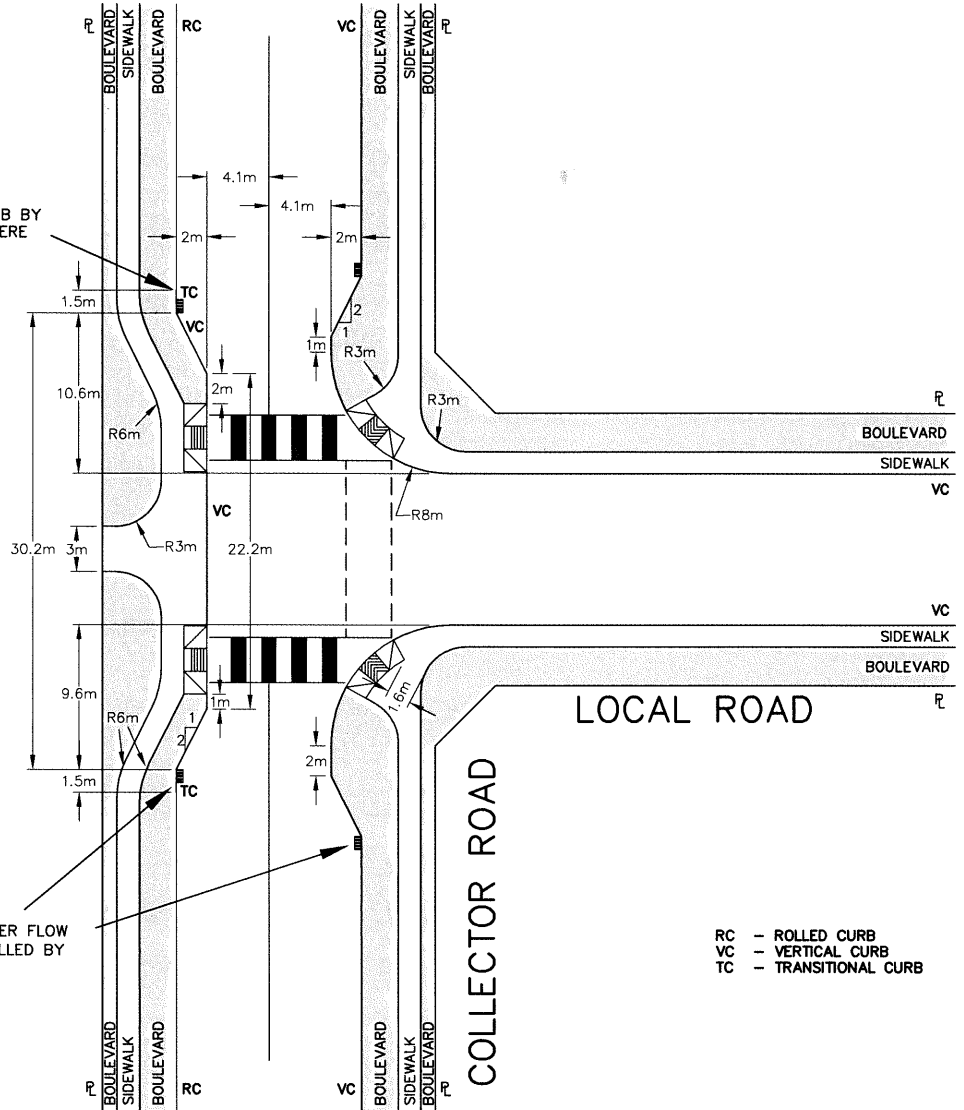
- 3.5:1 ROADWAY SIDESLOPE
- 1.5 m LEVEL LANDINGS / 3.0 AT SWITCHBACKS
- 9.0 m HORIZ. RUNS PER 0.75 ELEV RISE (1V:12H)
- DOES NOT EXTEND TOE OF SLOPE
- BALANCE OF CUT AND FILL



REFERENCES:
 GUIDE FOR THE PLANNING, DESIGN, AND OPERATION OF PEDESTRIAN FACILITIES (AASHTO)
 AMERICANS WITH DISABILITIES ACT (ADA) STANDARDS FOR ACCESSIBLE DESIGN
 CAN/CSA-B651-95

PLAN DESCRIPTION/REVISIONS 4 3 2 1 9.0 m was 15.0 m		APPROVED GENERAL MANAGER
		 ENGINEER
		 ENGINEER
		PLAN NO. 102-0002-057r002
DRAWN BY LCI DATE 2013-OCT-09	ROADWAY SIDESLOPE RAMP PEDESTRIAN ACCESS ROUTE WHEELCHAIR ACCESSIBLE	
SCALE : HOR. NTS VERT. NTS		

***NOTE*:** 1.5m OF TRANSITIONAL CURB BY CATCH BASIN REQUIRED WHERE ROLLED CURB IN PLACE.



***NOTE*:** DEPENDING ON DRAINAGE AND WATER FLOW CATCH BASIN/BASINS TO BE INSTALLED BY TRAFFIC BULBING WHERE NEEDED.

RC - ROLLED CURB
 VC - VERTICAL CURB
 TC - TRANSITIONAL CURB

***NOTES*:** SIGNING PLAN TO BE COMPLETED SEPARATELY.

REFER TO COLLECTOR CLASS "A"
 DRAWING NO. 102-0029-008

REFER TO LOCAL CLASS "A"
 DRAWING NO. 102-0029-011

PLAN DESCRIPTION/REVISIONS	
1	REVISED TITLE AND REMOVED CROSS SECTION DETAILS 2014-DEC-15 HLO
2	
3	
4	

DRAWN BY EDH
 DATE 2011-DEC-14
 SCALE : HOR. 1:500 VERT. _____



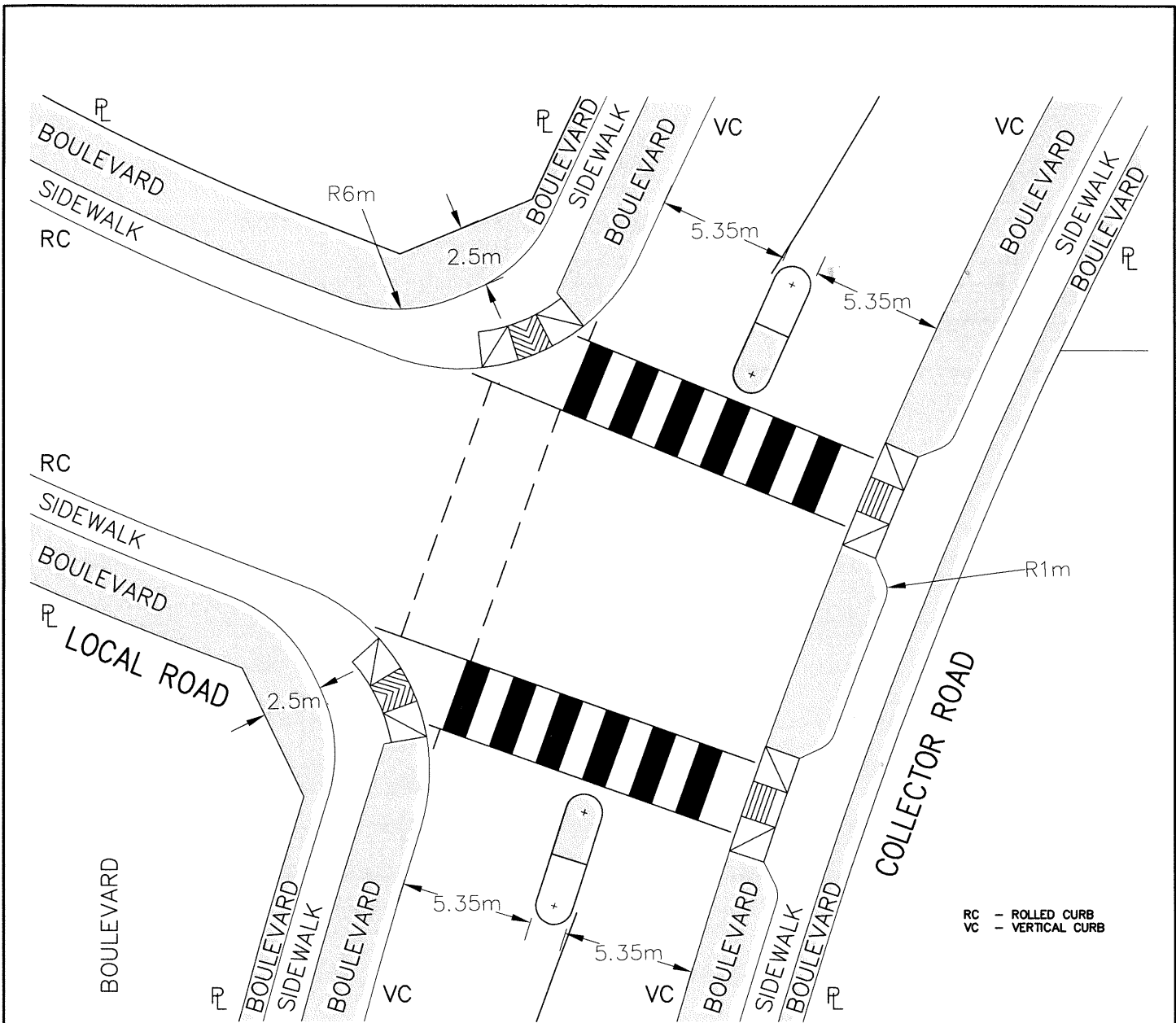
TRAFFIC CALMING AT A T-INTERSECTION
 SCHOOL/COMMERCIAL CROSSING
 (COLLECTOR & LOCAL ROAD)

APPROVED

Dhalabandier
 ENGINEER

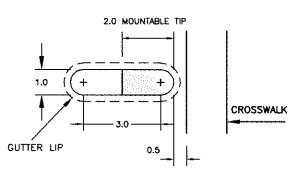
Smart
 ENGINEER

PLAN NO. 102-0002-062r002



RC - ROLLED CURB
 VC - VERTICAL CURB

PERMANENT CENTER MEDIAN DETAIL



***NOTES*:** SIGNING PLAN TO BE COMPLETED SEPARATELY.

REFER TO COLLECTOR CLASS "A"
 DRAWING NO. 102-0029-008

REFER TO LOCAL CLASS "A"
 DRAWING NO. 102-0029-011

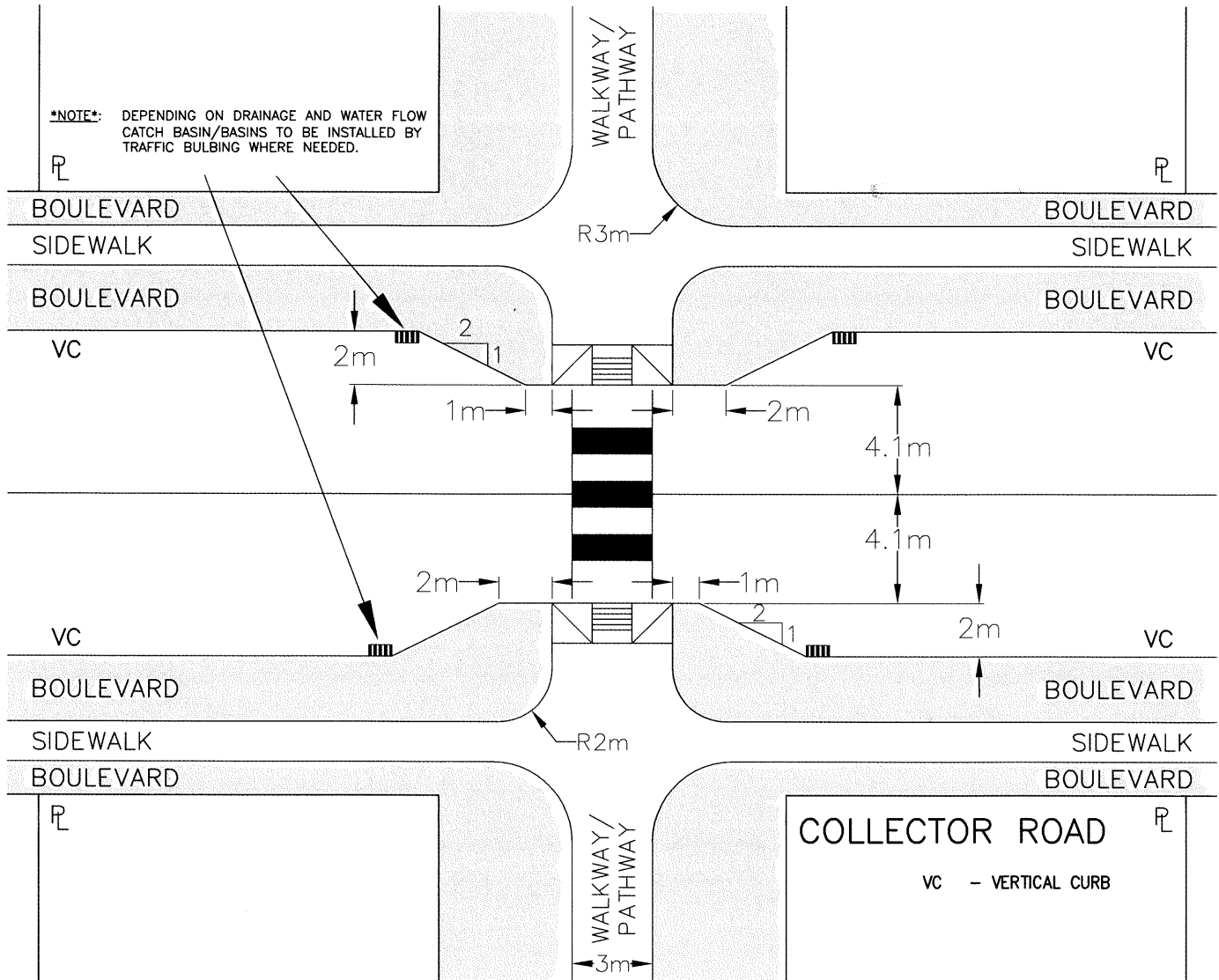
PLAN DESCRIPTION/REVISIONS	
1	REVISED TITLE AND REMOVED CROSS SECTION DETAILS 2014-DEC-15 HLO
2	
3	
4	
DRAWN BY <u>EDH</u>	
DATE <u>2011-DEC-14</u>	
SCALE : HOR. <u>1:500</u> VERT. _____	



TRAFFIC CALMING ON CURVE
 CENTER MEDIAN ISLANDS
 (COLLECTOR/LOCAL ROAD)

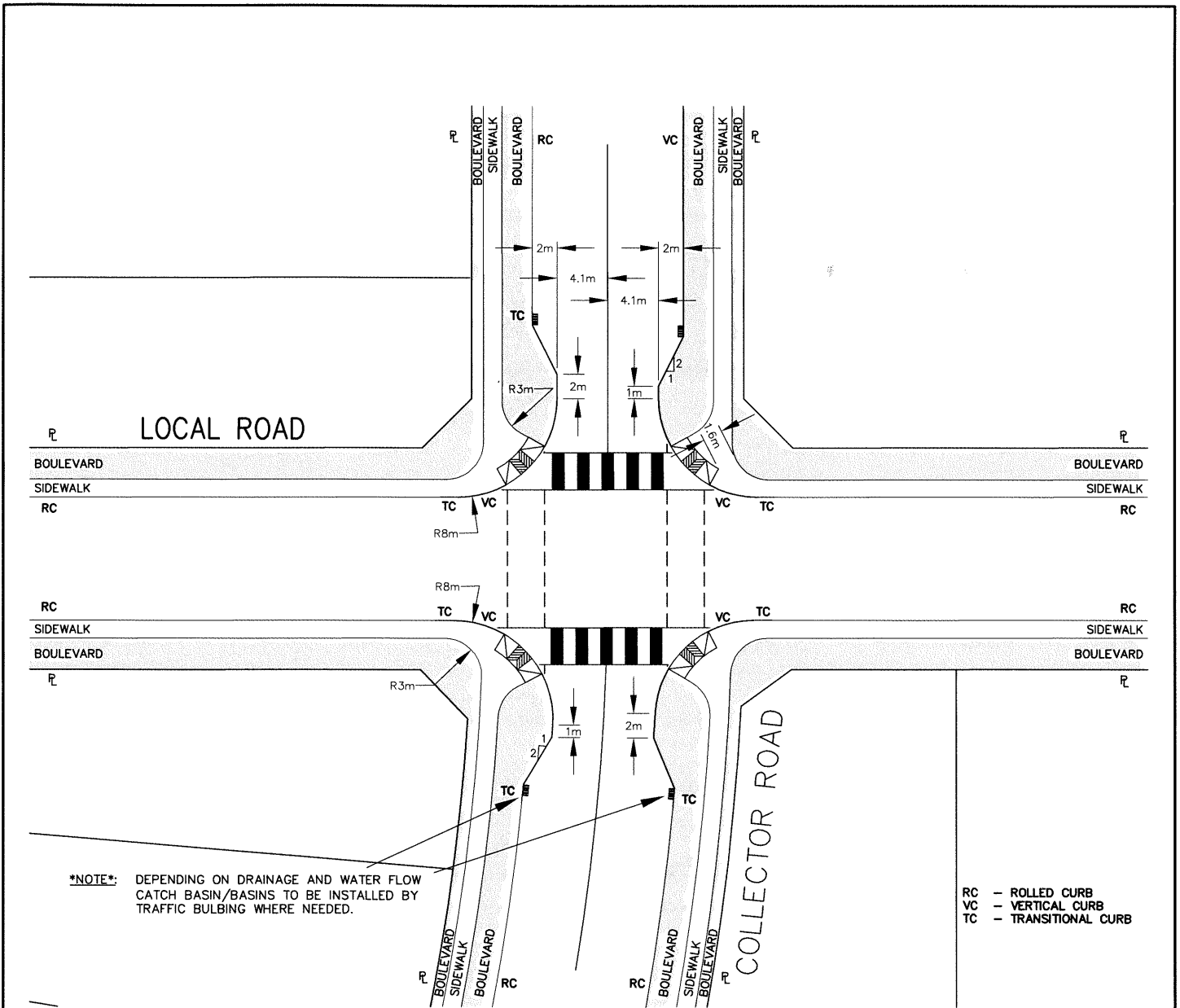
APPROVED
<i>Anglabardina</i> ENGINEER
<i>Smart</i> ENGINEER
PLAN NO. 102-0002-063r002

***NOTE*:** DEPENDING ON DRAINAGE AND WATER FLOW
CATCH BASIN/BASINS TO BE INSTALLED BY
TRAFFIC BULBING WHERE NEEDED.



***NOTES*:** SIGNING PLAN TO BE COMPLETED SEPARATELY.
REFER TO COLLECTOR CLASS "A"
DRAWING NO. 102-0029-008

PLAN DESCRIPTION/REVISIONS		 City of Saskatoon Infrastructure Services Department	APPROVED
1	REVISED TITLE AND REMOVED CROSS SECTION DETAILS 2014-DEC-15 HLO		 ENGINEER
2		TRAFFIC CALMING AT A MID-BLOCK CROSSING WALKWAY TO WALKWAY (COLLECTOR ROAD)	 ENGINEER
3			PLAN NO. 102-0002-064r002
4			
DRAWN BY <u>EDH</u>			
DATE <u>2011-DEC-14</u>			
SCALE : HOR. <u>1:500</u> VERT. _____			



***NOTE*:** DEPENDING ON DRAINAGE AND WATER FLOW
CATCH BASIN/BASINS TO BE INSTALLED BY
TRAFFIC BULBING WHERE NEEDED.

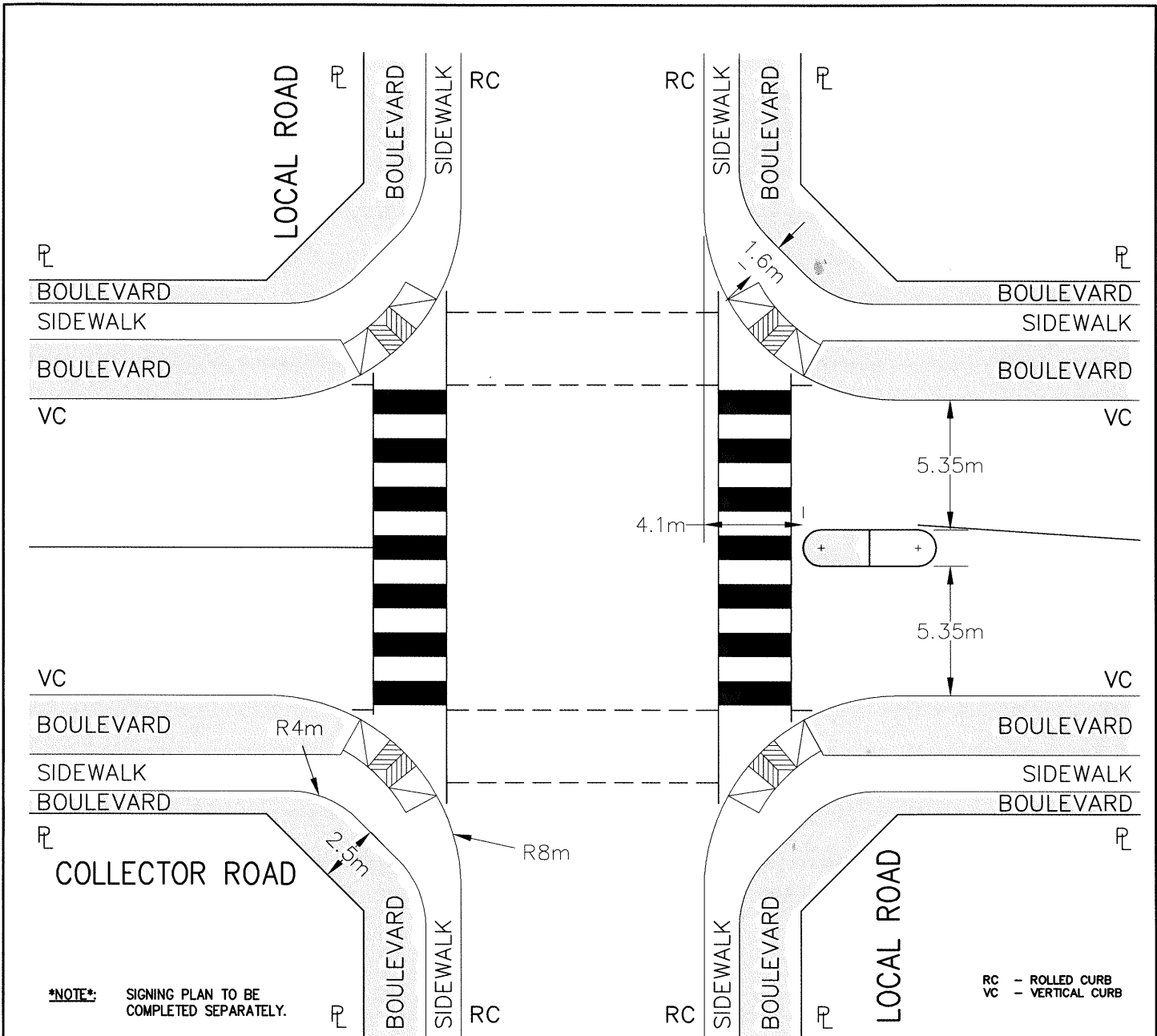
RC - ROLLED CURB
VC - VERTICAL CURB
TC - TRANSITIONAL CURB

***NOTES*:** SIGNING PLAN TO BE COMPLETED SEPARATELY.

REFER TO COLLECTOR CLASS "A"
DRAWING NO. 102-0029-008

REFER TO LOCAL CLASS "A"
DRAWING NO. 102-0029-011

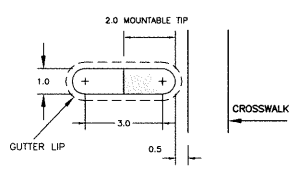
PLAN DESCRIPTION/REVISIONS			APPROVED
1	REVISED TITLE AND REMOVED CROSS SECTION DETAILS 2014-DEC-15 HLO		<i>diglabardina</i>
2			ENGINEER
3			
DRAWN BY EDH		TRAFFIC CALMING AT A HIGHLY USED INTERSECTION	<i>Smart</i>
DATE 2011-DEC-14		BY PEDESTRIANS	ENGINEER
SCALE : HOR. 1:500 VERT. _____		(COLLECTOR/LOCAL ROAD)	PLAN NO. 102-0002-065r002



RC - ROLLED CURB
VC - VERTICAL CURB

***NOTE*:** SIGNING PLAN TO BE COMPLETED SEPARATELY.

PERMANENT CENTER MEDIAN DETAIL

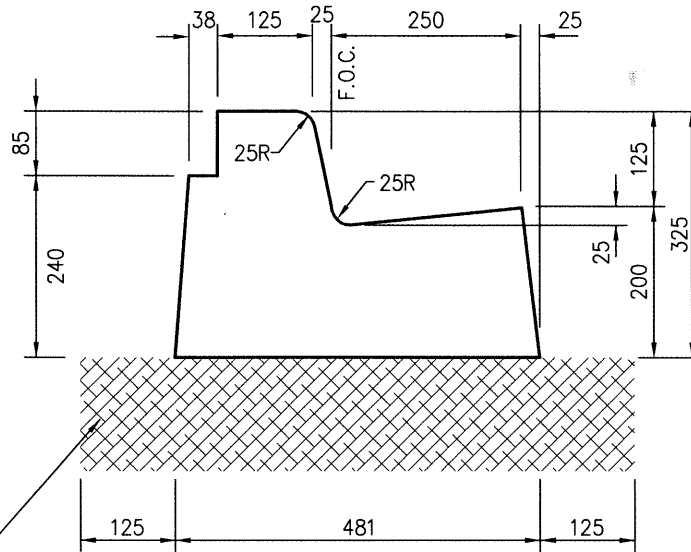


***NOTES*:** SIGNING PLAN TO BE COMPLETED SEPARATELY.

REFER TO COLLECTOR CLASS "A"
DRAWING NO. 102-0029-008

REFER TO LOCAL CLASS "A"
DRAWING NO. 102-0029-011

PLAN DESCRIPTION/REVISIONS		 City of Saskatoon Infrastructure Services Department	APPROVED
1	REVISED TITLE AND REMOVED CROSS SECTION DETAILS 2014-DEC-15 HLO		<i>dhgla bardi a</i>
2			ENGINEER
3			
DRAWN BY EDH		TRAFFIC CALMING AT A NEIGHBOURHOOD ENTRANCE	<i>Smart</i>
DATE 2011-DEC-14		CENTER MEDIAN ISLAND	ENGINEER
SCALE : HOR. 1:500 VERT. _____		(COLLECTOR/LOCAL ROAD)	PLAN NO. 102-0002-066r002

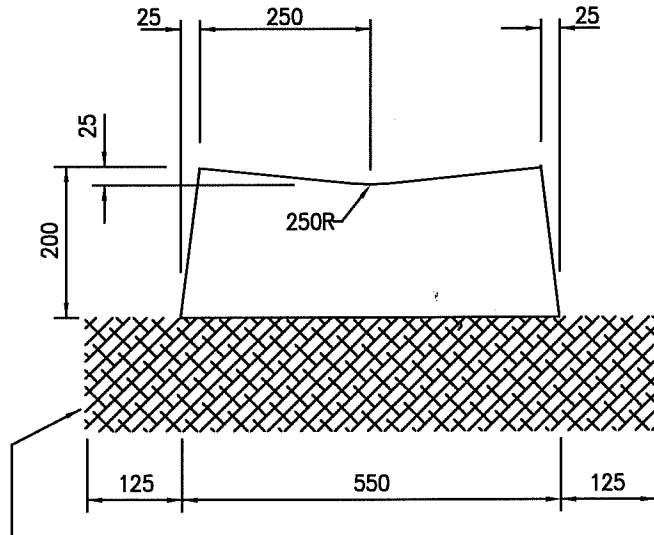


- 150mm GRADE CONSTRUCTION
- GRAVEL BASE IN RECONSTRUCTION
- COMPACTION IN NEW CONSTRUCTION

NOTES:

1. CONCRETE STANDARD:
32MPa DURA-MIX CONCRETE
5-8% AIR AS PER COS SPEC.
2. COMPACTION STANDARD:
98% STANDARD PROCTOR AS PER COS SPEC.
3. BROOM FINISH TOP & FACE OF CURB AND GUTTER LONGITUDINALLY
4. BROOM OVER ALL CONTROL JOINTS.
5. SPACING OF CONTROL JOINTS TO BE 1.5m.
6. IF PAVER LIP IS NOT INTEGRALLY POURED IT MUST BE PINNED TO CURB & GUTTER AS PER STANDARD COS SPEC.

PLAN DESCRIPTION/REVISIONS		 City of Saskatoon Transportation & Utilities Department	APPROVED
4			
3			GENERAL MANAGER
2			
1			ENGINEER
DRAWN BY <u>DJC</u> DATE <u>2014-DEC-15</u>		150mm VERTICAL CURB & GUTTER WITH PAVER LIP	PLAN NO. 102-0002-067r001
SCALE : HOR. 1:10 VERT. 1:10			


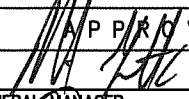




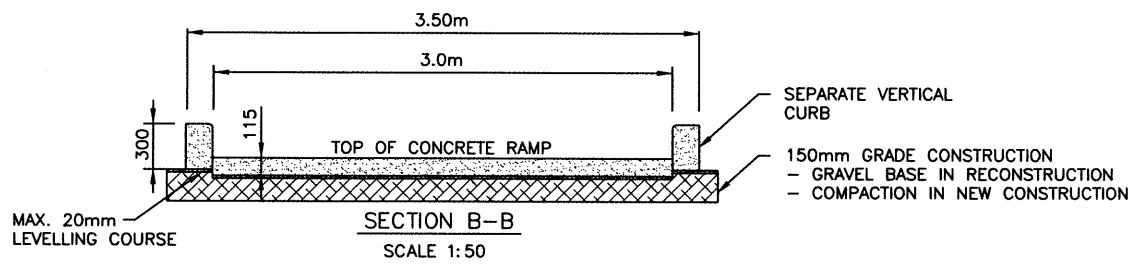
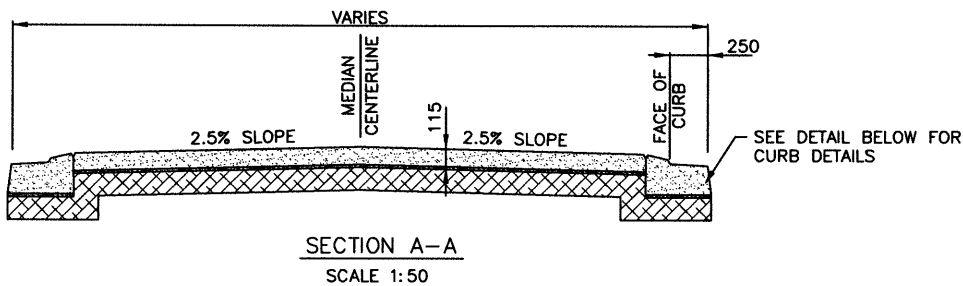
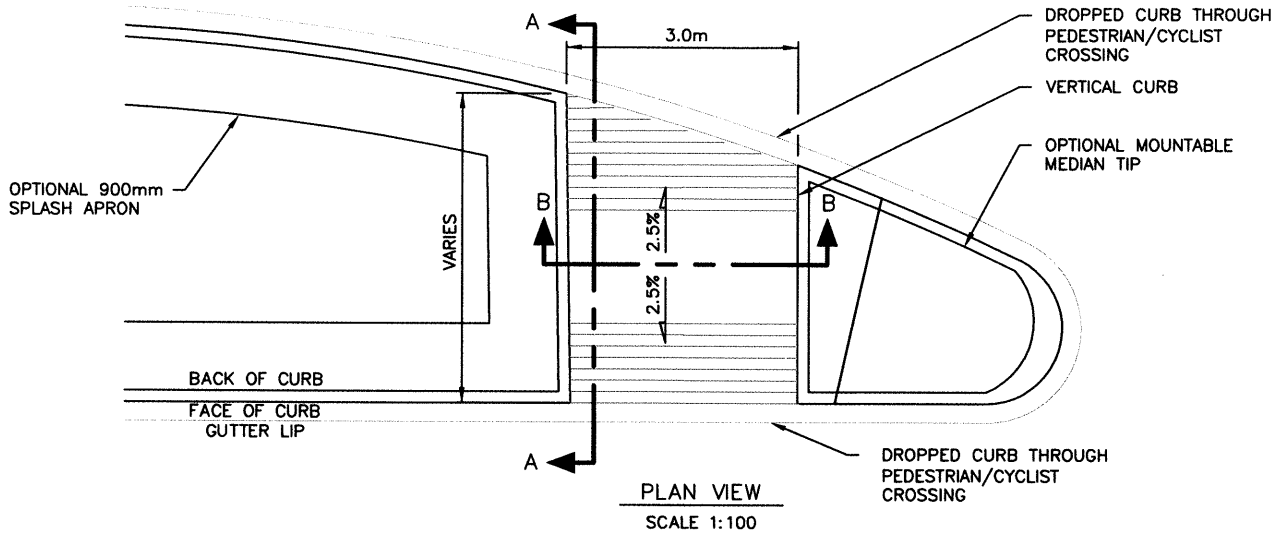
- 150mm GRADE CONSTRUCTION
- GRAVEL BASE IN RECONSTRUCTION
 - COMPACTION IN NEW CONSTRUCTION

CONCRETE SWALE

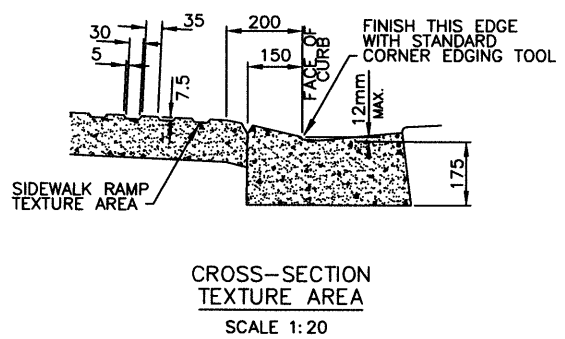
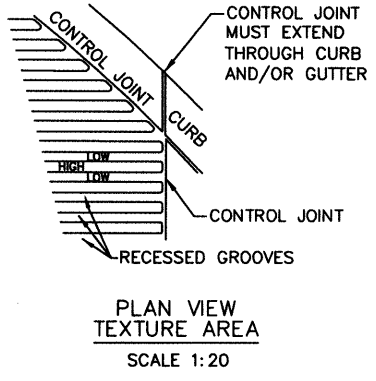
NOTES:

1. CONCRETE STANDARD:
32 MPa DURA-MIX CONCRETE
5-8% AIR AS PER SPEC.
2. COMPACTION STANDARD:
98% STANDARD PROCTOR AS PER SPEC.
3. BROOM FINISH TOP
4. BROOM OVER ALL CONTROL JOINTS.
5. SPACING OF CONTROL JOINTS TO BE 1.5M

REVISIONS		APPROVED
1		 GENERAL MANAGER P. ENG.
2		 ENGINEER
3		 ENGINEER
DRAWN BY <u>H. OSBORNE</u>		SCALES : HOR. <u>1:10</u> VERT. <u>1:10</u>
DATE <u>DECEMBER 12, 2012</u>		
CHECKED BY _____		
DATE _____		C-1 PLAN NO. 102-0002-069r001
CONCRETE SWALE		



- NOTES:**
- GROOVES ON TEXTURED AREA ARE TO BE PLACED PERPENDICULAR TO THE CROSSWALK LINES.
 - CONTROL JOINT MUST INTERCEPT THE BOTTOM OF RECESSED GROOVES.
 - CONTROL JOINT MUST BE SLIGHTLY DEEPER THAN RECESSED GROOVES.
 - CONCRETE STANDARD:
32 MPa DURA-MIX CONCRETE
5-8% AIR AS PER SPEC.
 - COMPACTION STANDARD:
98% STANDARD PROCTOR AS PER SPEC.
 - BROOM FINISH CURB FACE & GUTTER, BROOM OVER ALL CONTROL JOINTS.

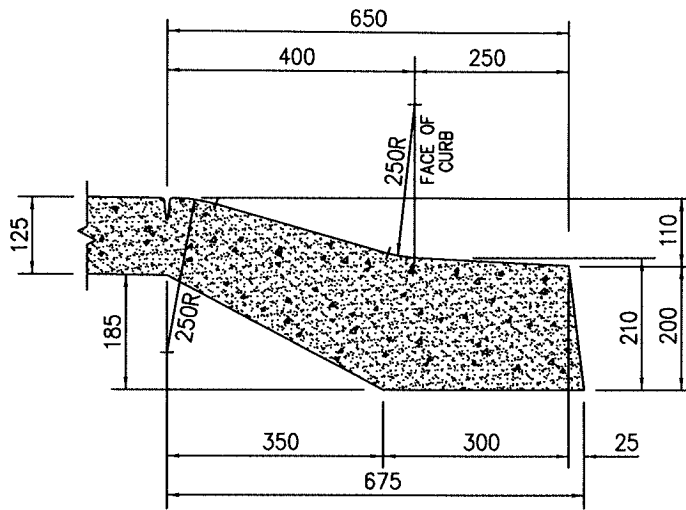


PLAN DESCRIPTION/REVISIONS	
4	XXX XXX
3	
2	
1	
DRAWN BY <u>JLP</u>	
DATE <u>2013-JUL-30</u>	
SCALE : HOR. <u>AS SHOWN</u> VERT. _____	

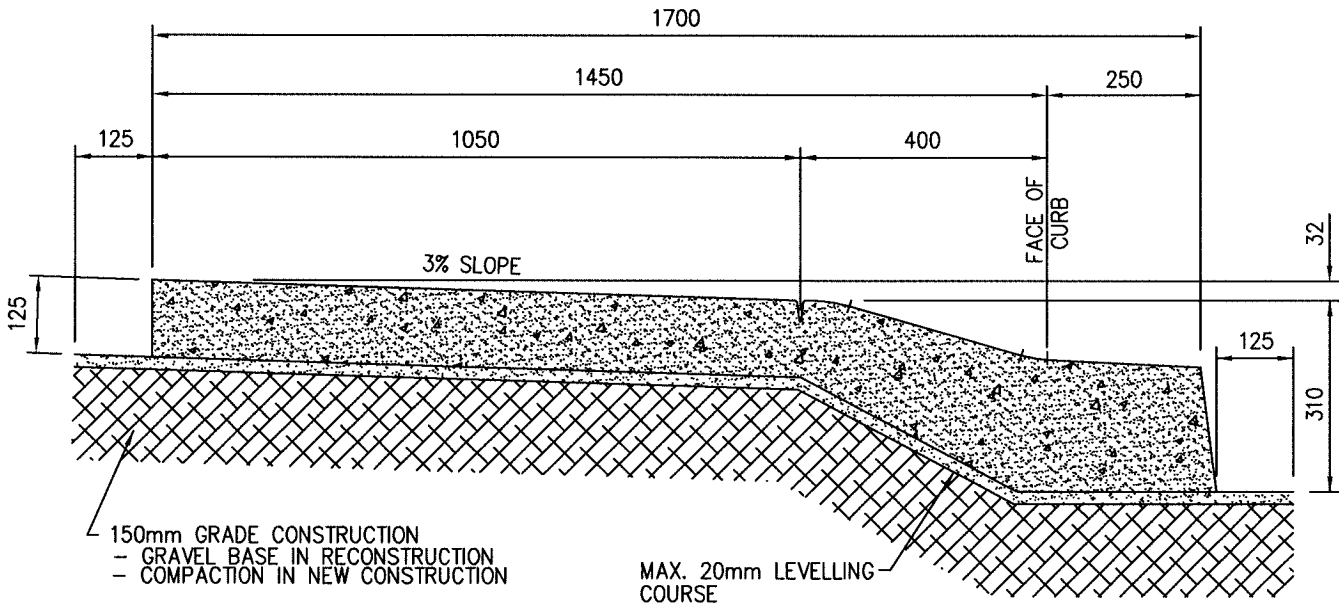


**CUT-THROUGH
MEDIAN DETAIL
PEDESTRIAN / CYCLIST CROSSING**

APPROVED
<i>Duglabaudier</i> GENERAL MANAGER
<i>[Signature]</i> ENGINEER
PLAN NO. <u>102-0002-070r001</u>



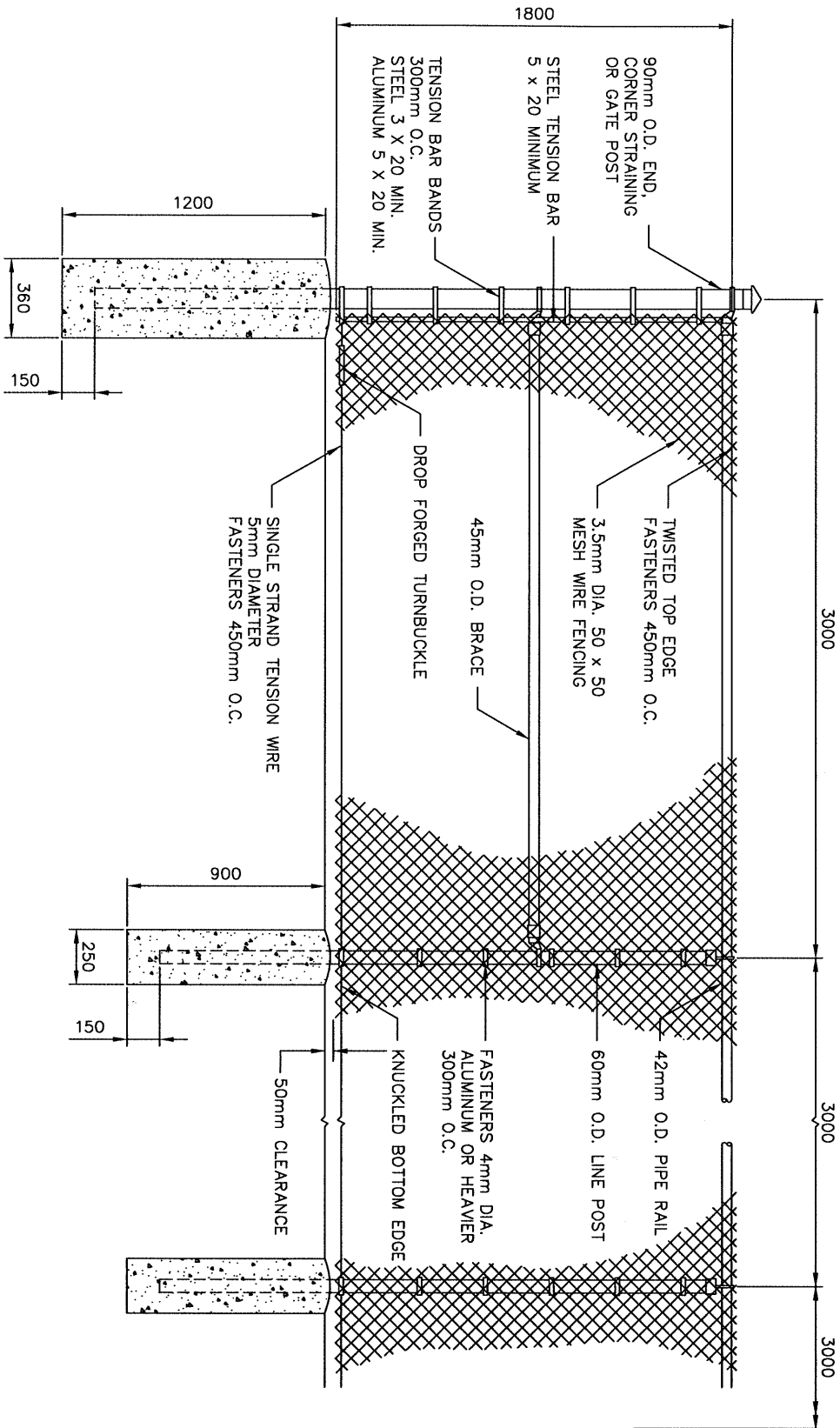
REVERSED ROLLED CURB & GUTTER



NOTES:

1. CONCRETE STANDARD:
32 MPa DURA-MIX CONCRETE
5-8% AIR AS PER SPEC.
2. COMPACTION STANDARD:
98% STANDARD PROCTOR AS PER SPEC.
3. BROOM FINISH WALK TRANSVERSELY.
BROOM FINISH CURB & GUTTER LONGITUDINALLY.
4. BROOM OVER ALL CONTROL JOINTS.
5. SPACING OF CONTROL JOINTS TO BE 1.5M

PLAN DESCRIPTION/REVISIONS			APPROVED
4			
3			GENERAL MANAGER
2			
1			
DRAWN BY <u>KSD</u>		WALK, REVERSED ROLLED CURB & GUTTER	ENGINEER
DATE <u>2013-SEP-10</u>			
SCALE : HOR. <u>1:12.5</u> VERT. _____			PLAN NO. <u>102-0002-071r001</u>



NOTES:
 MEDIAN FENCING: ALL MEDIAN FENCING WOULD BE WITHIN THE CLEAR ZONE AND THEREFORE A TOP RAIL SHOULD NOT BE USED REGARDLESS OF FENCE HEIGHT.
 PROPERTY LINE FENCING: FOR ARTERIALS POSTED AT 60 km/h OR LESS, A TOP RAIL MAY BE USED. FOR ROADWAYS POSTED AT 70 km/h OR HIGHER NO TOP RAIL SHOULD BE USED UNLESS THE CLEAR ZONE HAS BEEN DETERMINED AND THE FENCING FALLS OUTSIDE OF THE CLEAR ZONE.

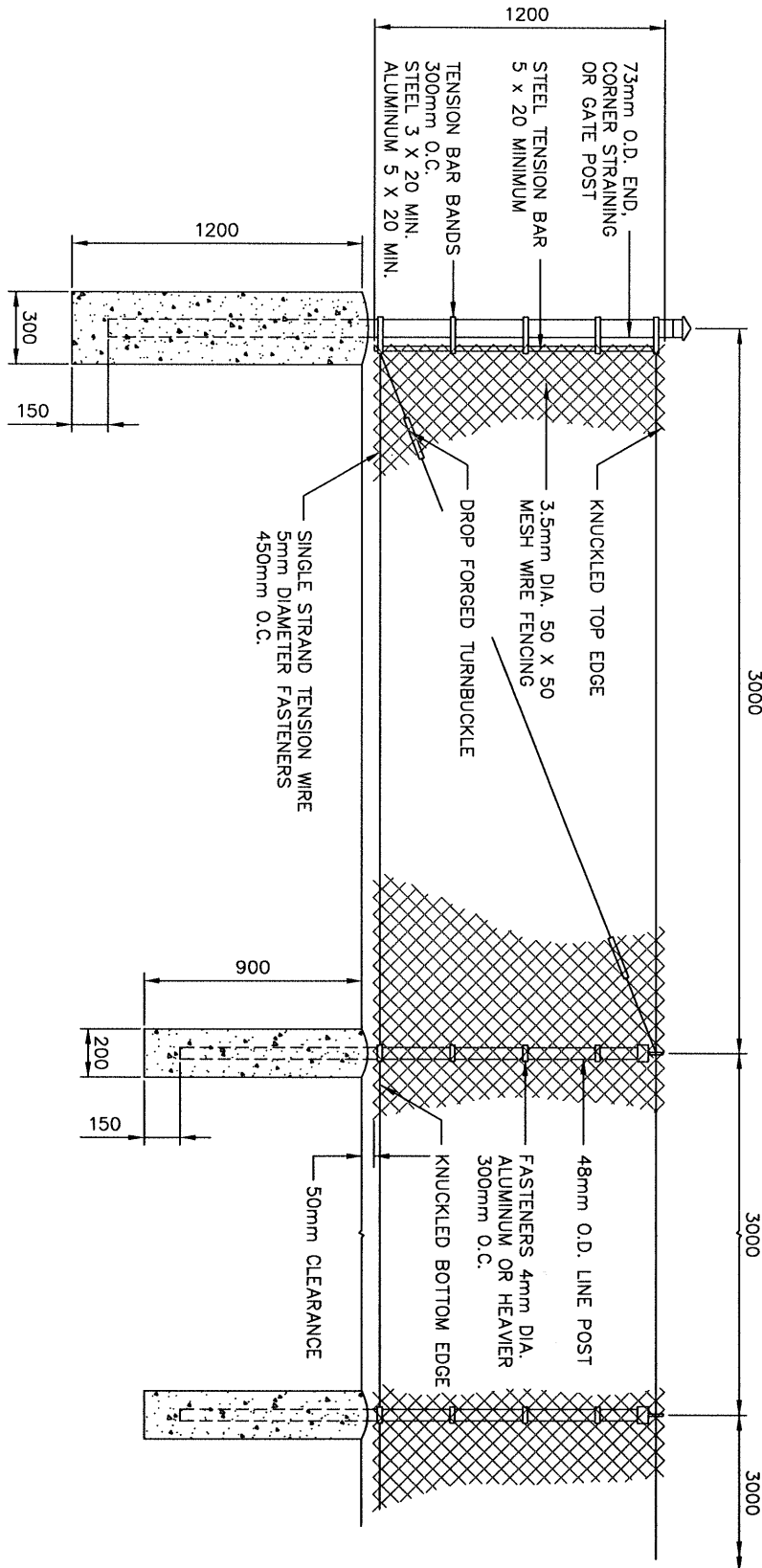
REVISIONS		
1	JULY 25, 2001	J. LEIER
2	MAY 03, 2013	RBY
3		

DRAWN BY	J. LEIER
DATE	00-02-04
CHECKED BY	
DATE	



CHAIN LINK FENCE DETAILS
 1.8m FENCE

APPROVED	
GENERAL MANAGER	P. ENG.
ENGINEER	
ENGINEER	
SCALES : HOR. 1:30 VERT. _____	
PLAN NO. 102-0004-001r002	



NOTES:

MEDIAN FENCING: ALL MEDIAN FENCING WOULD BE WITHIN THE CLEAR ZONE AND THEREFORE A TOP RAIL SHOULD NOT BE USED REGARDLESS OF FENCE HEIGHT.

PROPERTY LINE FENCING: FOR ARTERIALS POSTED AT 60 km/h OR LESS, A TOP RAIL MAY BE USED. FOR ROADWAYS POSTED AT 70 km/h OR HIGHER NO TOP RAIL SHOULD BE USED UNLESS THE CLEAR ZONE HAS BEEN DETERMINED AND THE FENCING FALLS OUTSIDE OF THE CLEAR ZONE.

REVISIONS		
1	JULY 25, 2001	J. LEIER
2	MAY 03, 2013	RBY
3		

DRAWN BY	J. LEIER
DATE	00-02-04
CHECKED BY	
DATE	



CHAIN LINK FENCE DETAILS
1.2m FENCE

APPROVED

GENERAL MANAGER P. ENG.

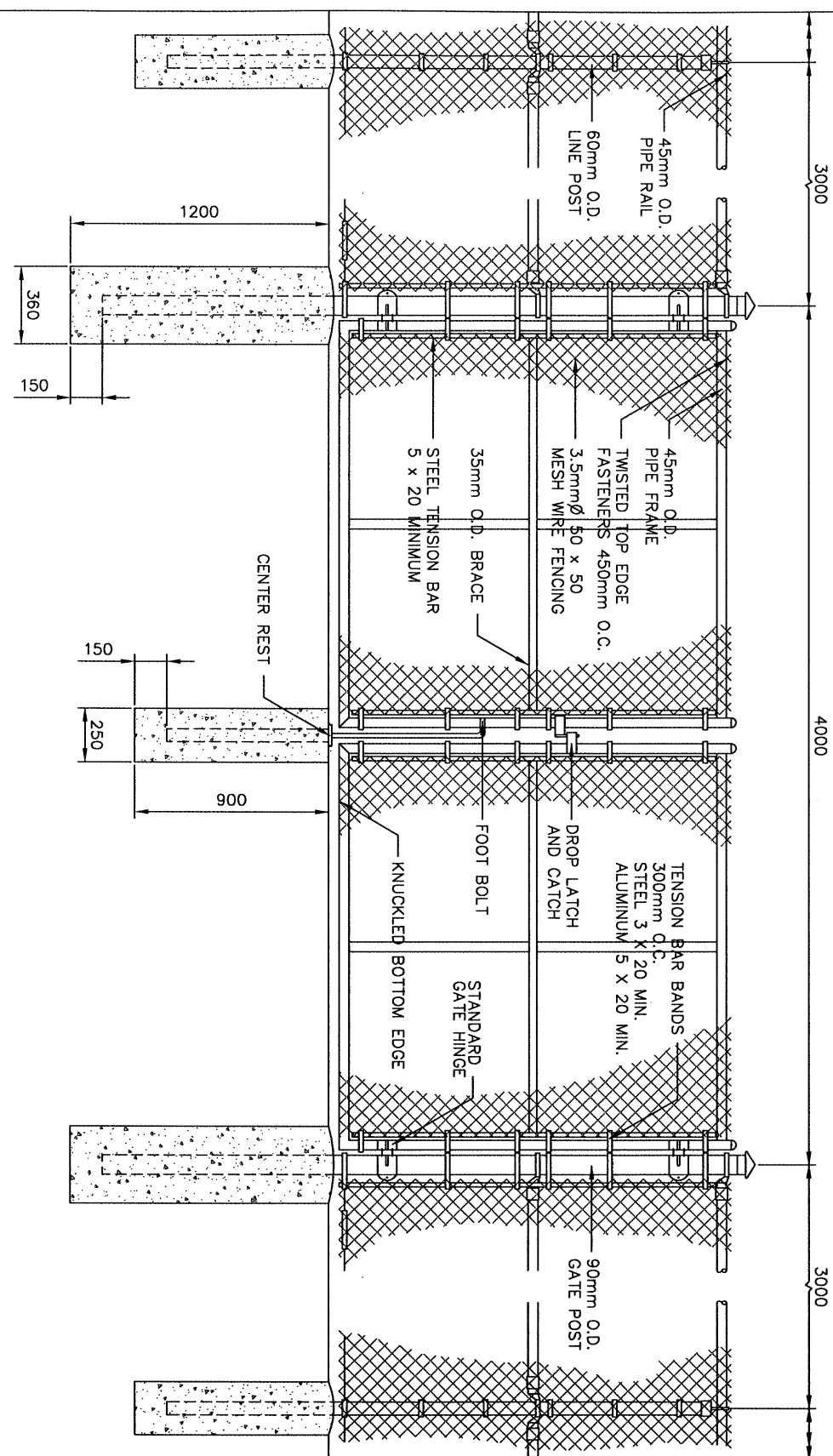
ENGINEER

ENGINEER

SCALES : HOR. 1:30 VERT. _____

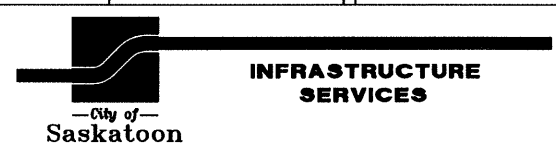
PLAN NO. 102-0004-002r002

NOTES:
 MEDIAN FENCING: ALL MEDIAN FENCING WOULD BE WITHIN THE CLEAR ZONE AND THEREFORE A TOP RAIL SHOULD NOT BE USED REGARDLESS OF FENCE HEIGHT.
 PROPERTY LINE FENCING: FOR ARTERIALS POSTED AT 60 km/h OR LESS, A TOP RAIL MAY BE USED. FOR ROADWAYS POSTED AT 70 km/h OR HIGHER NO TOP RAIL SHOULD BE USED UNLESS THE CLEAR ZONE HAS BEEN DETERMINED AND THE FENCING FALLS OUTSIDE OF THE CLEAR ZONE.



REVISIONS		
1	JULY 25, 2001	J. LEIER
2	MAY 03, 2013	RBY
3		

DRAWN BY	J. LEIER
DATE	00-02-04
CHECKED BY	
DATE	



CHAIN LINK FENCE DETAILS
 GATE DETAIL

APPROVED

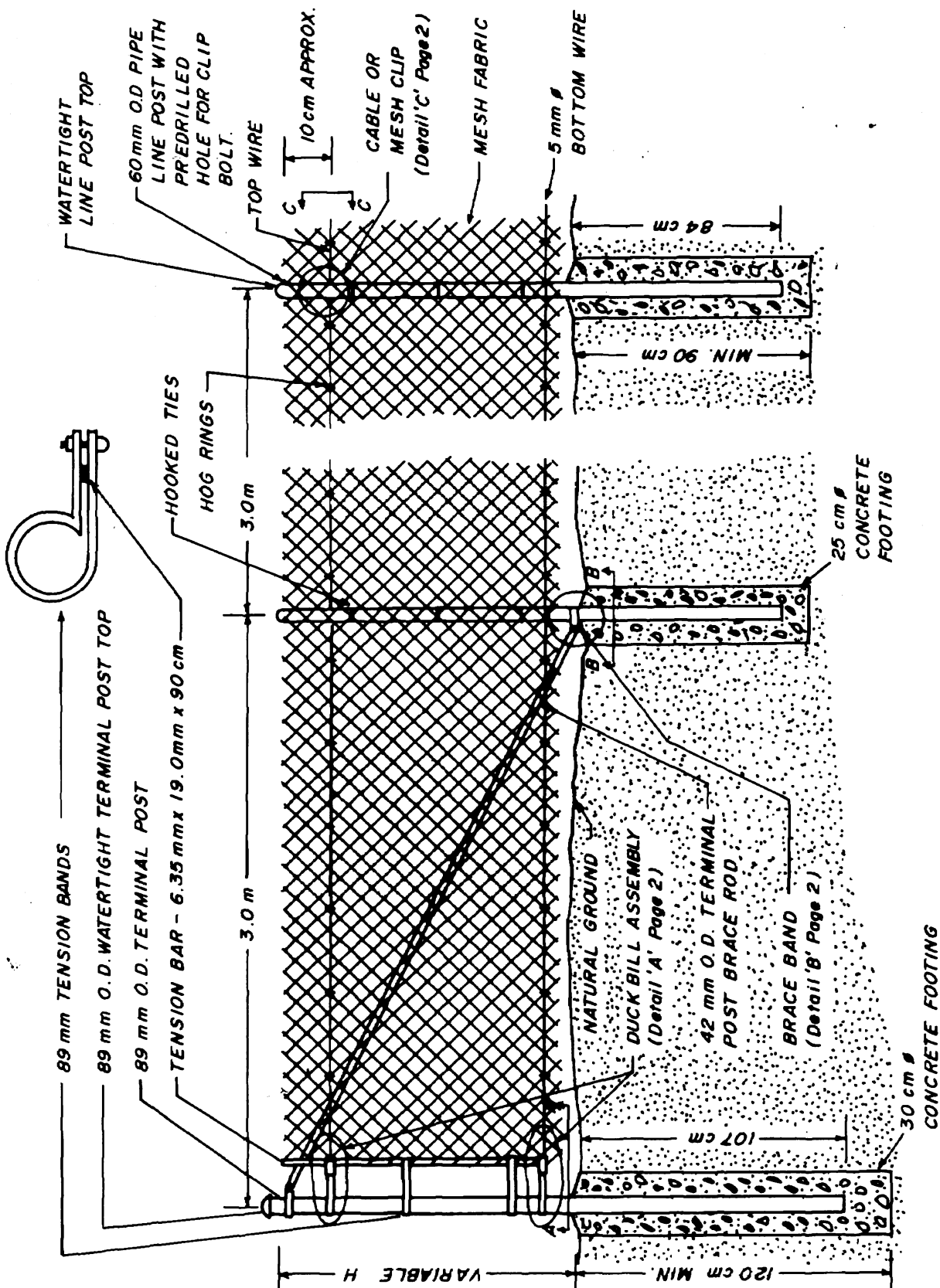
GENERAL MANAGER P. ENG.

ENGINEER

ENGINEER

SCALES : HOR. 1:30 VERT. _____

PLAN NO. 102-0004-003r002

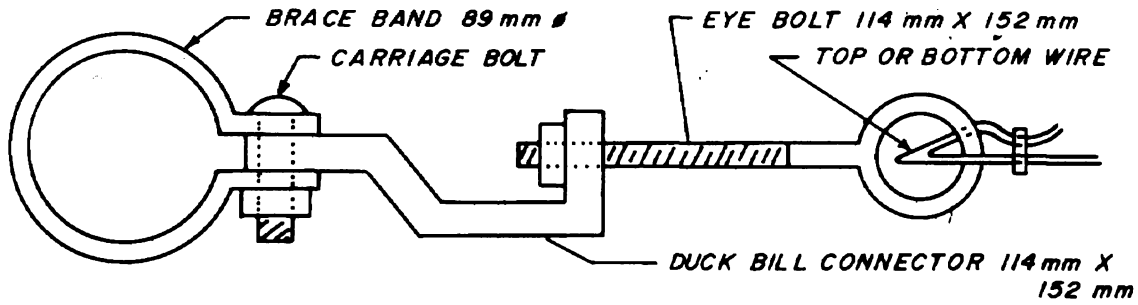


REVISIONS	
1	
2	
3	
DRAWN BY <u>CJP</u>	
DATE <u>91 08 06</u>	
CHECKED BY <u>JAC</u>	
DATE <u>92-11-10</u>	

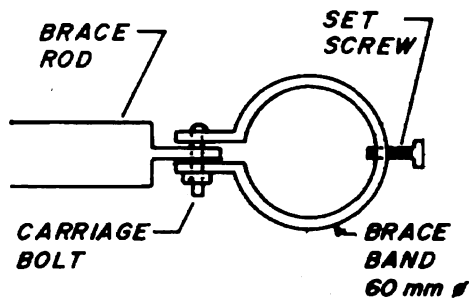
CITY OF SASKATOON
 ENGINEERING DEPARTMENT

CHAIN LINK FENCE
 TYPE A

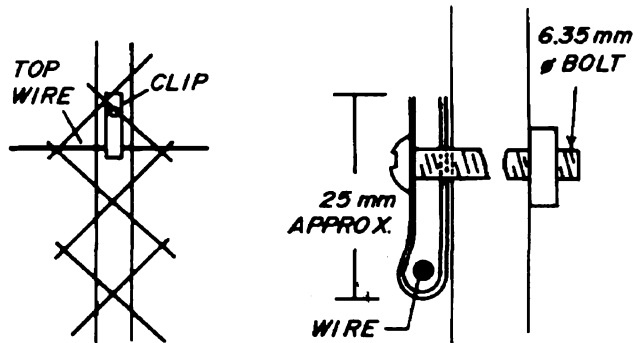
APPROVED	
CITY ENGINEER	P. ENG.
<i>[Signature]</i>	
ENGINEER	
<i>[Signature]</i>	
ENGINEER	
SCALES: HOR. N.T.S. VERT.	
PLAN NO: 102-0004-005r001	



DETAIL 'A' - DUCK BILL ASSEMBLY



DETAIL 'B' - BRACE BAND

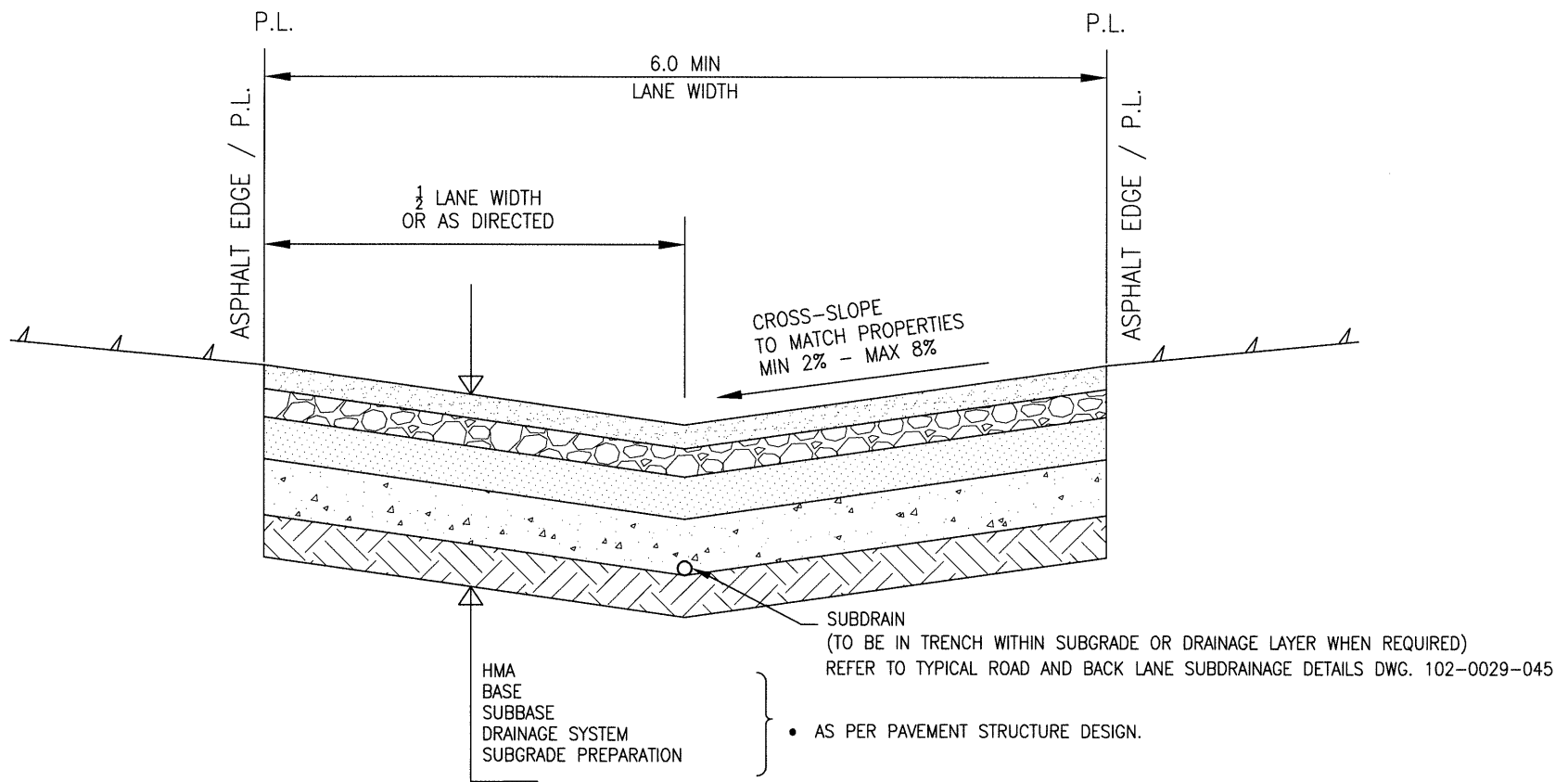


DETAIL 'C' - CABLE OR MESH CLIP

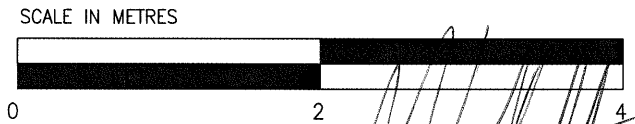
NOTES:

1. MAXIMUM SPACING BETWEEN BRACING SHALL BE 150 METRES.
2. TOP WIRE ONLY IS TO BE THREADED THROUGH CLIPS WITH MESH ATTACHED TO WIRE.
3. CHAIN LINK FABRIC SHALL BE FASTENED AT NOT MORE THAN 35 cm ON LINE POSTS AND NOT MORE THAN 45 cm ON THE TOP AND BOTTOM WIRE.
4. TOP WIRE WILL BE 6.4 mm 7 STRAND GUY WIRE, GRADE 50.
5. ALL MATERIALS AND INSTALLATION TO MEET STANDARD SPECIFICATION FOR SUPPLY AND ERECTION OF CHAIN LINK FENCE.

REVISIONS		CITY OF SASKATOON ENGINEERING DEPARTMENT	APPROVED	
1			CHAIN LINK FENCE TYPE A	CITY ENGINEER
2		<i>[Signature]</i>		
3			ENGINEER	
DRAWN BY <u>CJP</u>			<i>[Signature]</i>	
DATE <u>91 07 24</u>			ENGINEER	
CHECKED BY <u>[Signature]</u>			SCALES:	HOR. N.T.S. VERT.
DATE <u>92 11 18</u>			PLAN NO: 102-0004-006r001	



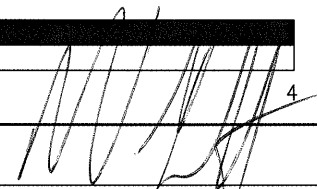
- NOTE:
- BACK LANES WILL BE COMPRISED OF THE SAME STRUCTURE AS THE LOCAL ROADWAY CLASSIFICATION WITHIN THE ROAD GROUP AS OUTLINED IN THE PAVEMENT DESIGN GUIDE.
 - DRAINAGE AGGREGATE TO BE ENVELOPED BY NON-WOVEN GEOTEXTILE FOR SUBDRAIN OR FULL DRAINAGE LAYER.
 - SUBDRAIN TO BE CONNECTED TO CATCHBASIN AS PER DRAWING 102-0010-015 OR TEE INTO ADJACENT ROADWAY SUBDRAIN PIPE.

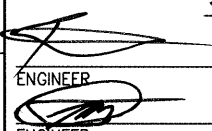


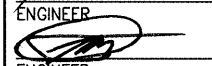
REVISIONS	
1	ADD SUBDRAIN, DRAINAGE LAYER AND NOTES 2014-DEC-15 HLO
2	RELOCATE SUBDRAIN TO LOWEST POINT 2015-DEC-31 HLO
3	
DRAWN BY <u>LCI</u>	
DATE <u>2009-06-18</u>	
SCALES :	
HOR. <u>1:50</u>	
VERT. <u>1:25</u>	



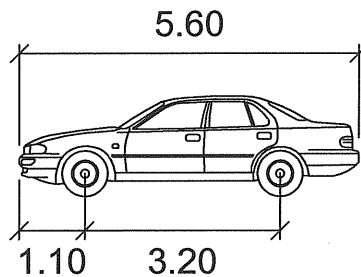
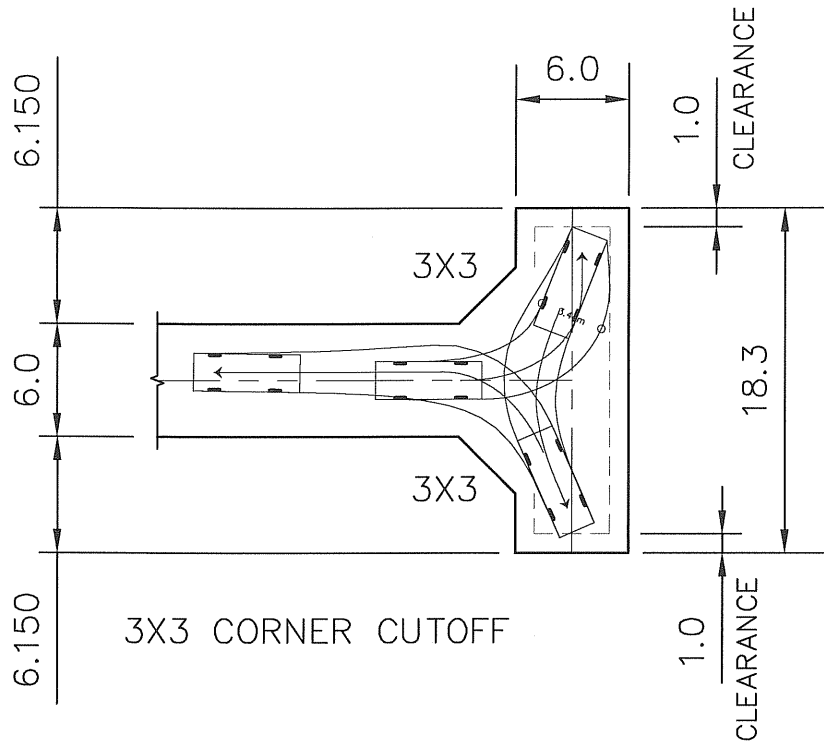
LANE, PAVED
TYPICAL LANE CROSS SECTION

CHIEF ENGINEER 
DATE JAN 08 2016

ENGINEER 

ENGINEER 

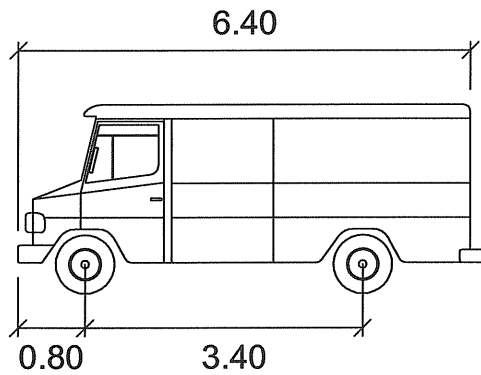
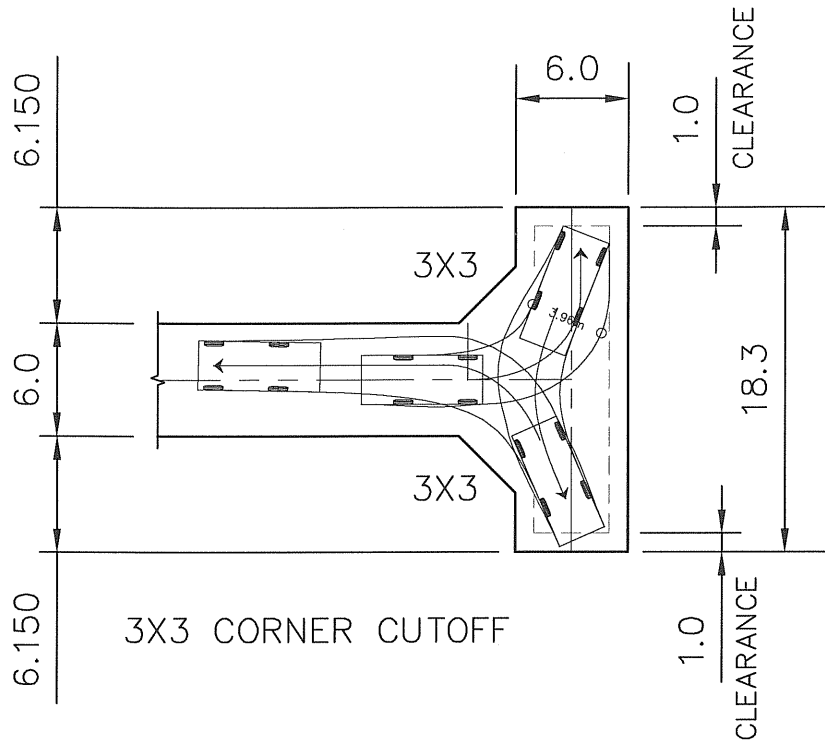
PLAN NO. 102-0005-002r003



P		meters
Width	: 2.00	
Track	: 2.00	
Lock to Lock Time	: 6.00	
Steering Angle	: 36.2	
Steering Angle	: 36.2	

Vd: 1999 TAC LARGE CAR
 VEHICLE PATH: ONE STEERING REVERSAL

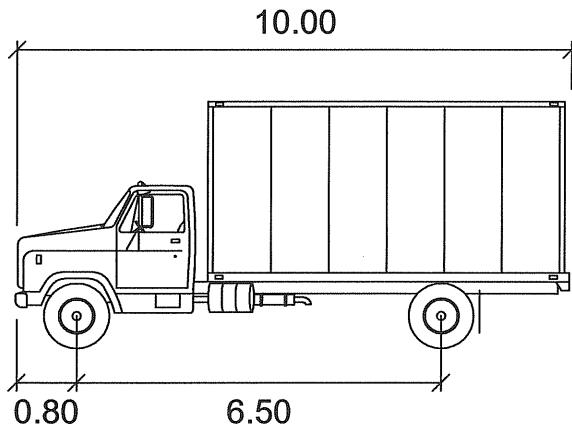
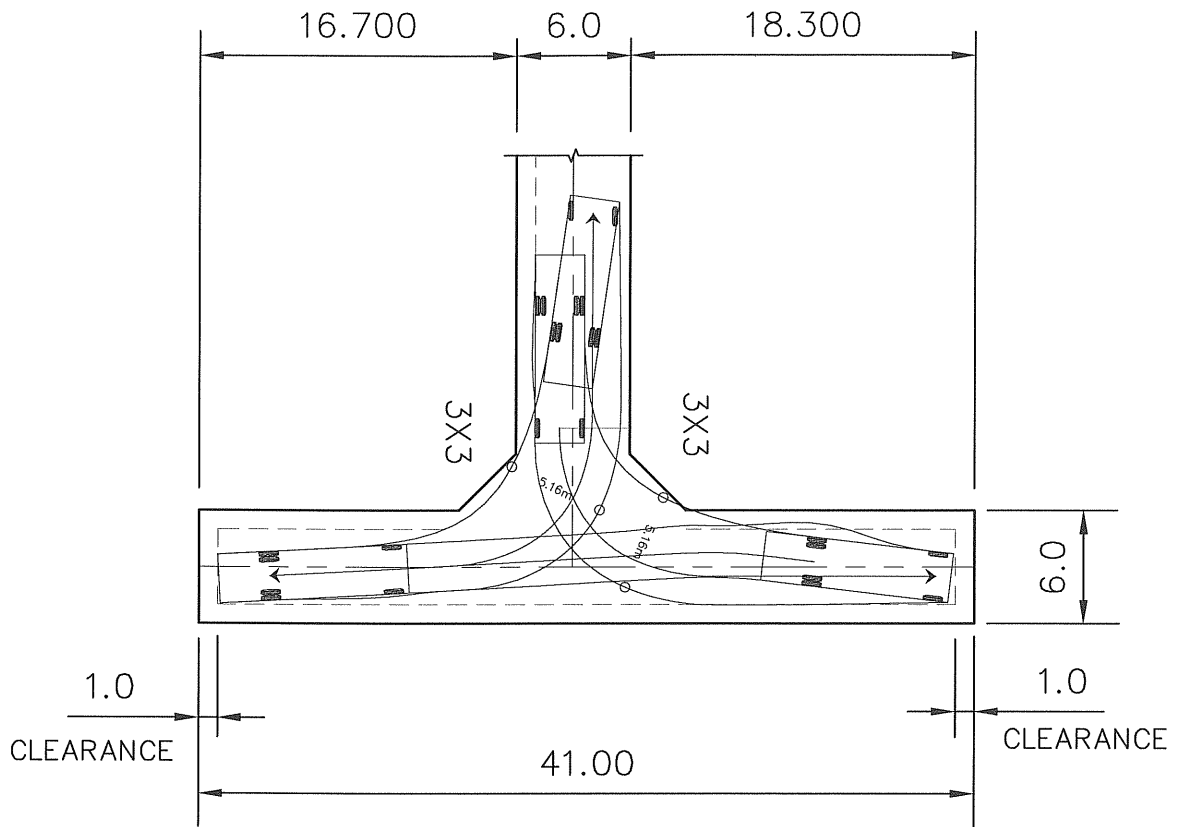
PLAN DESCRIPTION/REVISIONS			APPROVED
4	XXX XXX		 GENERAL MANAGER
3		RESIDENTIAL LANE DEAD-END TURNAROUND T-TYPE DESIGN VEHICLE: LARGE CAR	 ENGINEER
2			PLAN NO. 102-0005-003r001
1			
DRAWN BY <u>LCI</u> DATE <u>2010-JAN-12</u> SCALE : HOR. <u>1:400</u> VERT. _____			



LSU	meters
Width	: 2.60
Track	: 2.60
Lock to Lock Time	: 6.00
Steering Angle	: 40.8

Vd: 1999 TAC (LSU) LIGHT SINGLE UNIT
 VEHICLE PATH: ONE STEERING REVERSAL


PLAN DESCRIPTION/REVISIONS			APPROVED
4	XXX XXX		 GENERAL MANAGER
3		RESIDENTIAL LANE DEAD-END TURNAROUND T-TYPE DESIGN VEHICLE: LIGHT SINGLE UNIT	 ENGINEER
2			PLAN NO. 102-0005-004r001
1			
DRAWN BY <u>LCI</u> DATE <u>2010-JAN-12</u> SCALE : HOR. <u>1:400</u> VERT. _____			

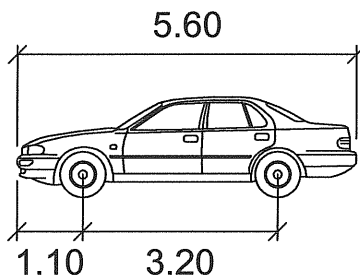
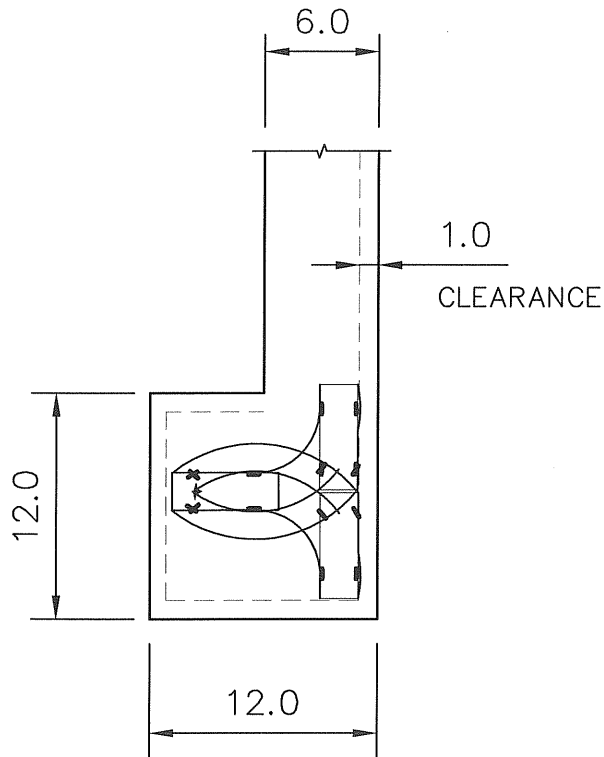


MSU meters

Width : 2.60
 Track : 2.60
 Lock to Lock Time : 6.00
 Steering Angle : 40.1

Vd: 1999 TAC (MSU) MEDIUM SINGLE UNIT
 VEHICLE PATH: ONE STEERING REVERSAL

PLAN DESCRIPTION/REVISIONS			APPROVED
4	XXX XXX		 GENERAL MANAGER
3		COMMERCIAL LANE DEAD-END TURNAROUND T-TYPE DESIGN VEHICLE: MEDIUM SINGLE UNIT	 ENGINEER
2			PLAN NO. 102-0005-005r001
1			
DRAWN BY <u>LCI</u> DATE <u>2010-JAN-12</u> SCALE : HOR. <u>1:400</u> VERT. _____			



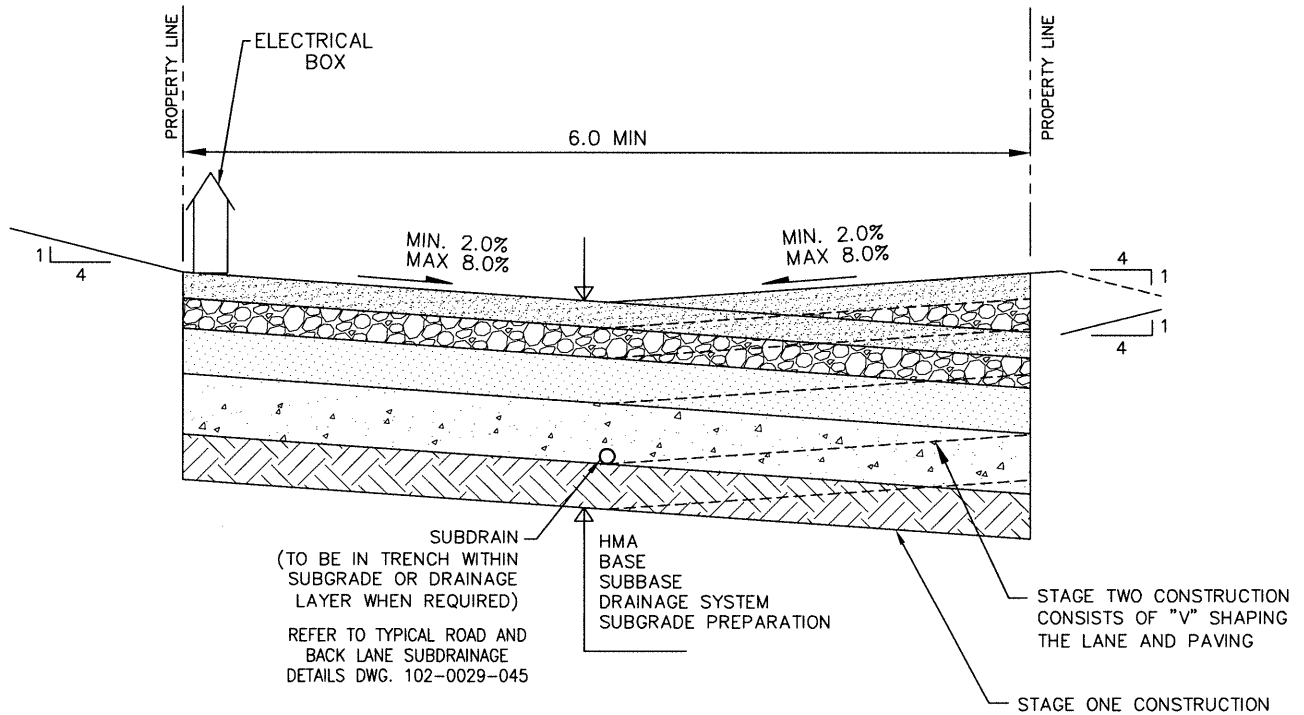
P		metres
Width	:	2.00
Track	:	2.00
Lock to Lock Time	:	6.00
Steering Angle	:	36.2
Steering Angle	:	36.2

Vd: 1999 TAC LARGE CAR

VEHICLE PATH: ONE STEERING REVERSAL

WHEELS ROTATED TO MAX STEERING ANGLE FROM STOPPED CONDITION

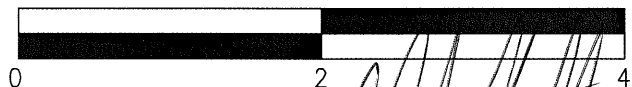
PLAN DESCRIPTION/REVISIONS			APPROVED
4	XXX XXX		 GENERAL MANAGER
3		RESIDENTIAL LANE DEAD-END TURNAROUND L-TYPE DESIGN VEHICLE: LARGE CAR	 ENGINEER
2			PLAN NO. 102-0005-006r001
1			
DRAWN BY <u>LCI</u> DATE <u>2010-JAN-12</u> SCALE : HOR. <u>1:400</u> VERT. _____			



NOTE:

- BACK LANES WILL BE COMPRISED OF THE SAME STRUCTURE AS THE LOCAL ROADWAY CLASSIFICATION WITHIN THE ROAD GROUP AS OUTLINED IN THE PAVEMENT DESIGN GUIDE.
- DRAINAGE AGGREGATE TO BE ENVELOPED BY NON-WOVEN GEOTEXTILE FOR SUBDRAIN OR FULL DRAINAGE LAYER.
- SUBDRAIN TO BE CONNECTED TO CATCHBASIN AS PER DRAWING 102-0010-015 OR TEE INTO ADJACENT ROADWAY SUBDRAIN PIPE.

SCALE IN METRES



REVISIONS	
1	ADD SUBDRAIN & DRAINAGE LAYER, REVISE NOTES 2014-DEC-15 HLO
2	RELOCATE SUBDRAIN TO LOWEST POINT 2015-DEC-31 HLO
3	
DRAWN BY <u>R. KING</u> DATE <u>00-06-27</u>	
SCALES : HOR. <u>1:50</u> VERT. _____	



City of Saskatoon

Transportation & Utilities Department

LANE, PAVED
2 STAGE CONSTRUCTION

CHIEF ENGINEER

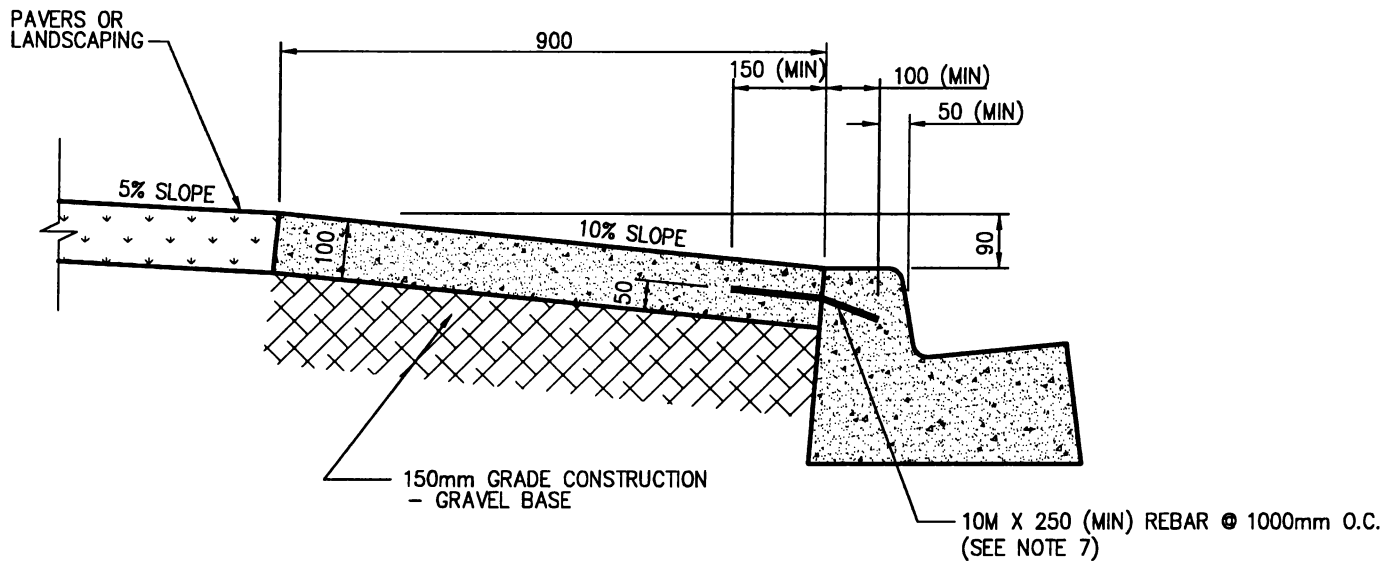
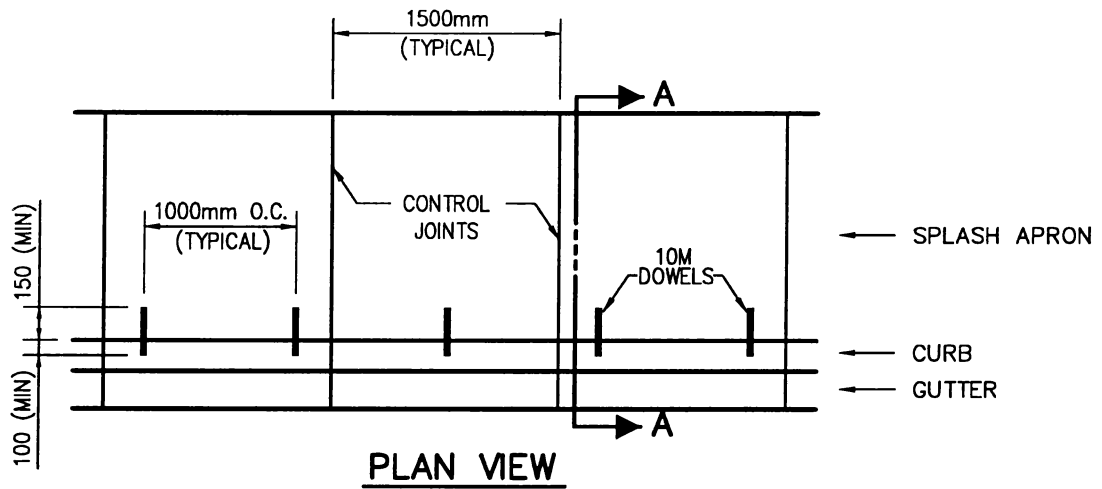
JAN 08 2016

DATE

ENGINEER

ENGINEER

PLAN NO. 102-0005-007r002



SECTION A-A

NOTES:

1. PROVIDE CONTROL JOINTS EVERY 1500mm TO MATCH CONTROL JOINTS ON CURBING.
2. DOWELS TO BE 10M, PLACED 1.0m O.C.
3. BACKFILL CURB AND COMPACT SUBGRADE TO 98% STANDARD PROCTOR.
4. FOR EXISTING CURB, DRILL AND INSERT DOWELS. FOR NEW CONSTRUCTION INSERT DOWELS WHEN CASTING THE CURB.
5. 150mm GRANULAR BASE COMPACTED TO 98% STANDARD PROCTOR.
6. CONCRETE STANDARD: 32 MPa DURA-MIX CONCRETE 5-8% AIR AS PER SPEC.
7. REBAR TO BE STAINLESS STEEL, EPOXY COATED, OR GALVANIZED. (EPOXY CAN NOT BE DRIVEN)

REVISIONS

1	
2	
3	

DRAWN BY R. OTTENBREIT
 DATE FEBRUARY 1, 1999

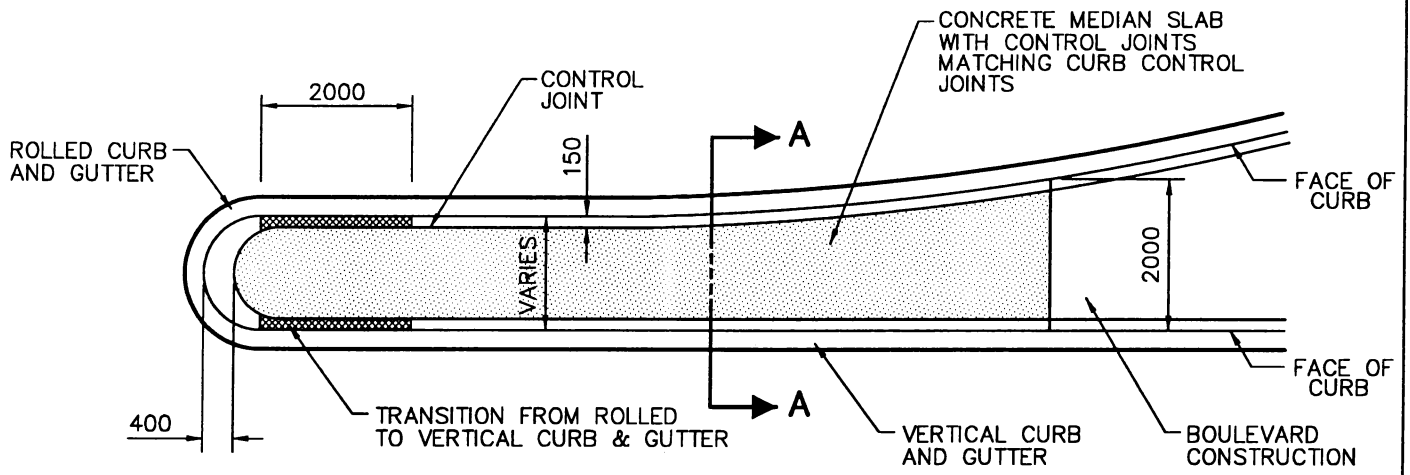
CHECKED BY _____
 DATE _____



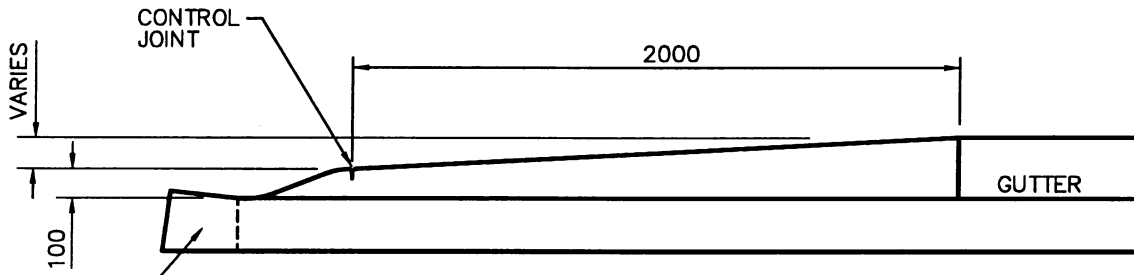
SPLASH APRON

APPROVED
[Signature]
 GENERAL MANAGER P. ENG.
 ENGINEER
[Signature]
 ENGINEER
 SCALES : HOR. 1:50 VERT. 1:12.5

M-1 PLAN NO. **102-0006-001r001**

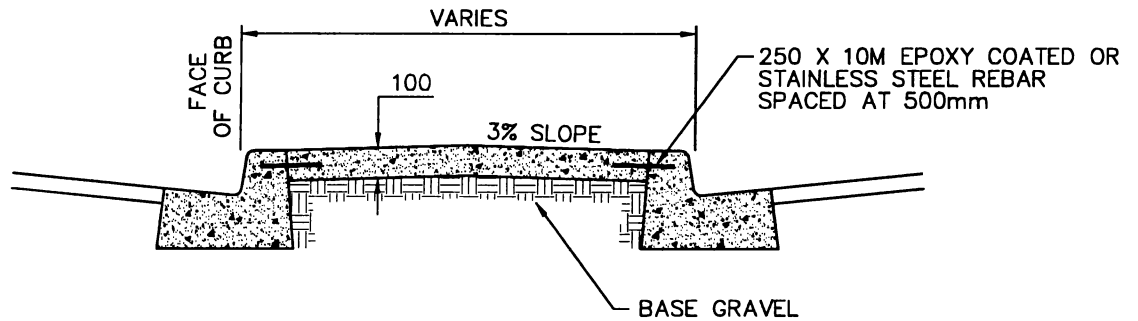


PLAN OF MEDIAN TIP
SCALE 1:100



PROFILE OF MEDIAN TIP
SCALE 1:25

GUTTER OPTIONAL FOR EXISTING
MEDIAN RECONSTRUCTION




SECTION A-A
SCALE 1:25

NOTES:

1. CONCRETE STANDARD:
32 MPa DURA-MIX CONCRETE
5-8% AIR AS PER SPEC.
2. COMPACTION STANDARD:
98% STANDARD PROCTOR AS PER SPEC.

REVISIONS	
1	
2	
3	
DRAWN BY <u>R. OTTENBREIT</u>	
DATE <u>FEBRUARY 1, 1999</u>	
CHECKED BY _____	
DATE _____	



CITY OF SASKATOON
INFRASTRUCTURE SERVICES

MOUNTABLE MEDIAN TIP

APPROVED

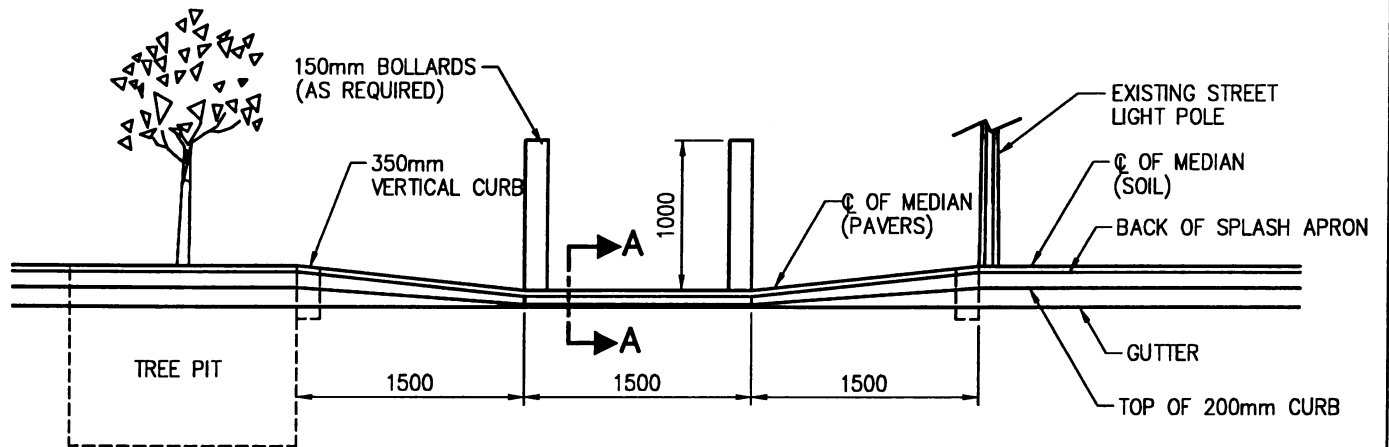
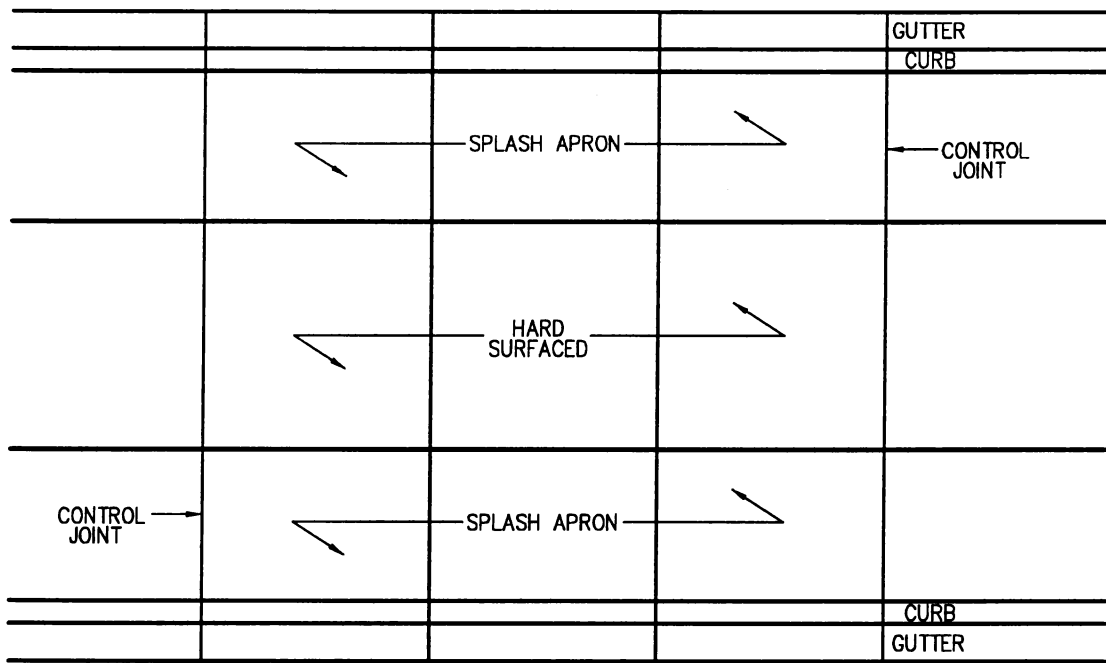
[Signature]
GENERAL MANAGER P. ENG.

ENGINEER *[Signature]*

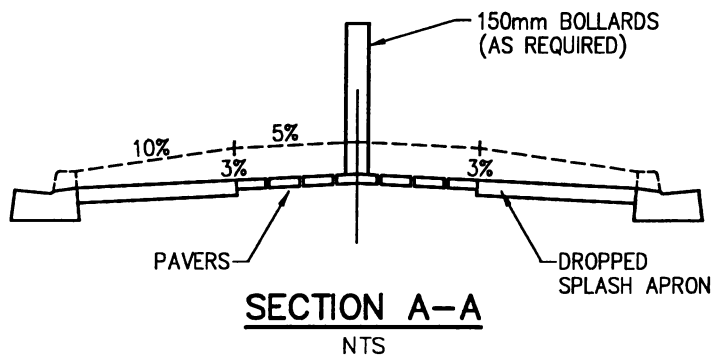
ENGINEER *[Signature]*

SCALES :
HOR. 1:100 VERT. 1:25


M-2 PLAN NO. **102-0006-002r001**



MEDIAN RAMP DETAIL (TREE PIT/LIGHT POLE)



REVISIONS	
1	
2	
3	
DRAWN BY R. OTTENBREIT	
DATE FEBRUARY 1, 1999	
CHECKED BY _____	
DATE _____	



CITY OF SASKATOON
INFRASTRUCTURE SERVICES

MEDIAN RAMP

APPROVED

[Signature]
GENERAL MANAGER P. ENG.

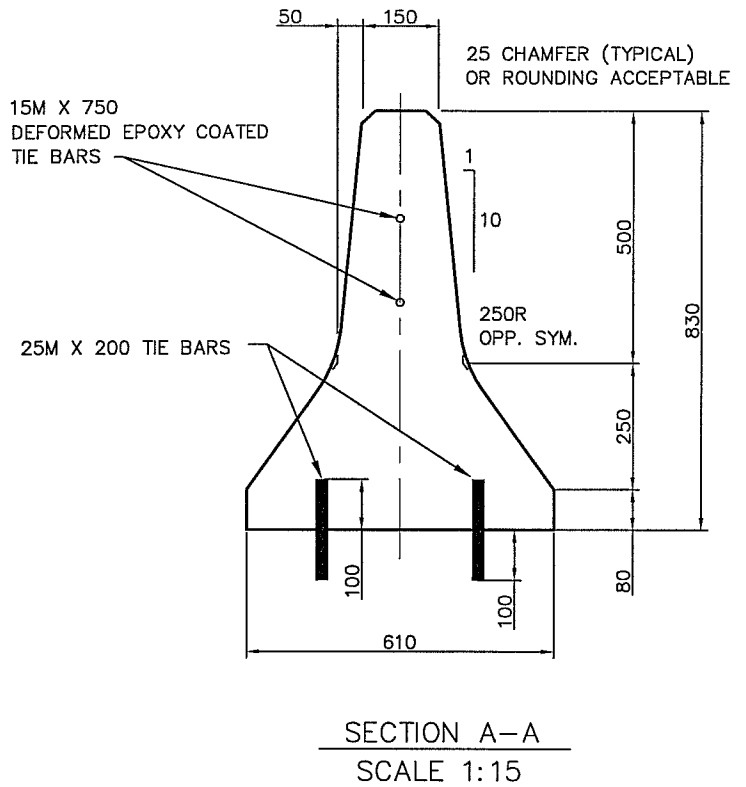
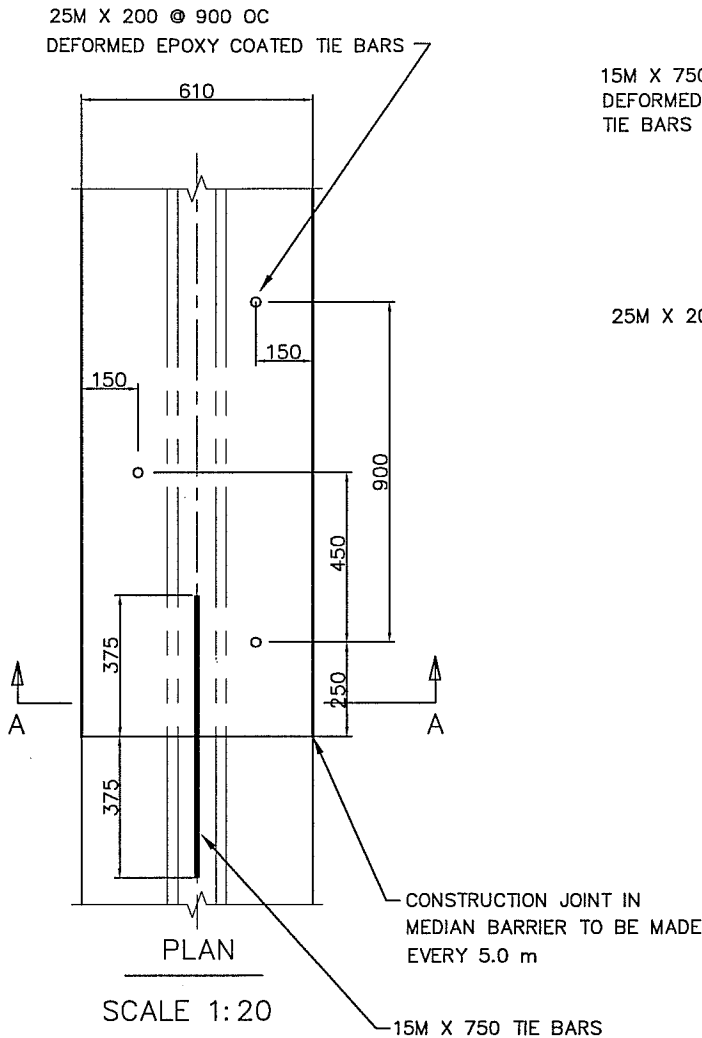
ENGINEER *[Signature]*

ENGINEER *[Signature]*

SCALES :
HOR. 1:50 VERT. _____

M-3 PLAN NO. **102-0006-003r001**

C:\General Projects\Development Standards\1020006004r001_UKN.dwg, Layout1, 2011/01/24 10:36:25 AM



NOTE: ALTERNATE CROSS SECTIONS IN GENERAL COMPLIANCE WITH DIMENSIONS WILL BE CONSIDERED BY THE ENGINEER


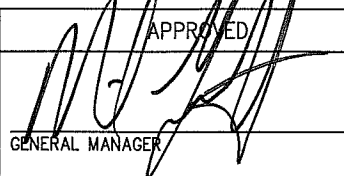

INSTALL LIGHT POLE BASES AND CONDUITS PRIOR TO SLIPFORMING

SLIPFORM OVER TOP OF POLE BASES. ONCE MACHINE IS PAST, IMMEDIATELY REMOVE CONCRETE OVER POLES BASE AND CLEAN THOROUGHLY

MEDIAN BARRIER SLOPED END TREATMENT

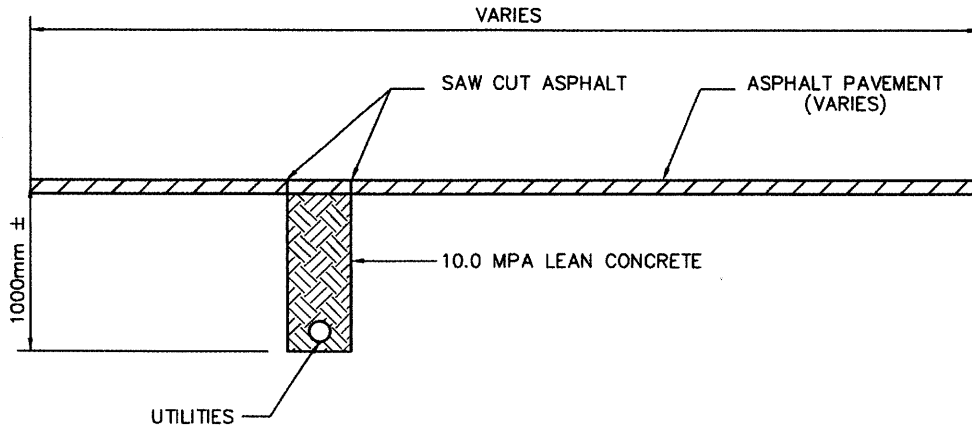
AS PER COS BARRIER TRANSITION
102-0002-044r001_UKN.DWG

ALL DIMENSIONS IN MILLIMETRES
UNLESS OTHERWISE NOTED

PLAN DESCRIPTION/REVISIONS			APPROVED
4	XXX XXX		 GENERAL MANAGER
3			
2			
1			
DRAWN BY <u>LCI</u> DATE <u>2010-DEC-20</u>		830 MEDIAN BARRIER SLIP-FORMED CONCRETE	 ENGINEER
SCALE : HOR. <u>1:10</u> VERT. _____			PLAN NO. <u>102-0006-005r001</u>

TYPICAL ASPHALT CUT

0 - <300mm CUT



- * ASPHALT SHALL BE PLACED AT 75mm THICK OR MATCH EXISTING THICKNESS WHICHEVER IS GREATER.
- * IF EXISTING ASPHALT IS GREATER THAN 75mm, ASPHALT MUST BE PLACED IN TWO LIFTS.
- * ALL EXCAVATED MATERIAL TO BE HAULED AWAY.

1. ALL UTILITY CONSTRUCTION AND MAINTENANCE ACTIVITY INVOLVING EXCAVATION IN A CITY STREET OR LANE RIGHT-OF WAY MUST BE REPORTED TO THE CONSTRUCTION & DESIGN DIVISION CITY OF SASKATOON.
2. REPAIRS/RESTORATION OF THE STREET/LANE SURFACE SHALL BE DONE AS SHOWN.

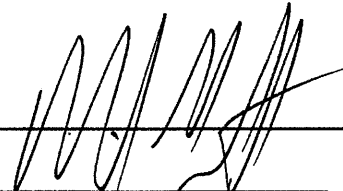
REVISIONS	
1	MRH 03-12-22
2	HLO 06-01-20
3	HLO 07-02-28
4	REVISED DIVISION NAME 2015-DEC-01 HLO


DRAWN BY	RAV
DATE	98-11-06
SCALES :	
HOR.	NTS
VERT.	



City of Saskatoon
Transportation & Utilities Department

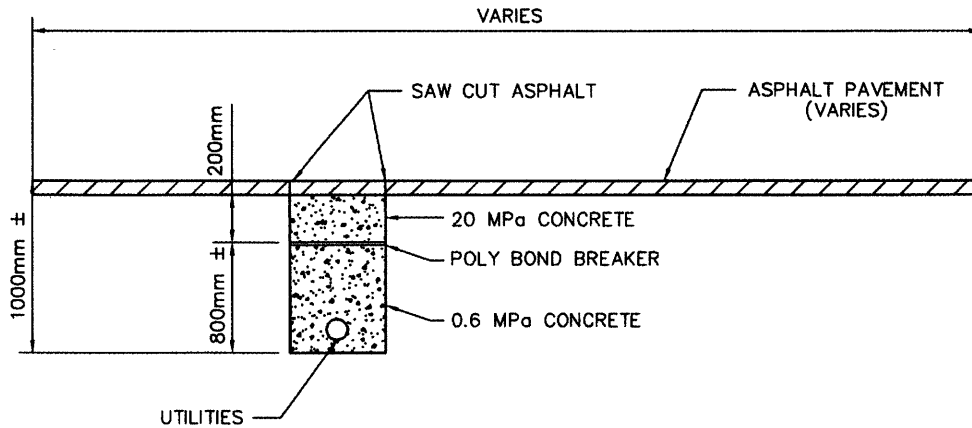
UTILITIES PLACEMENT STANDARDS


 CHIEF ENGINEER
 DATE **JAN 08 2016**


 ENGINEER
 DATE **JAN 08 2016**

PLAN NO. 102-0007-001r005

TYPICAL STREET
300mm - 1000mm CUT



- * ASPHALT SHALL BE PLACED AT 75mm THICK OR MATCH EXISTING THICKNESS WHICHEVER IS GREATER.
- * IF EXISTING ASPHALT IS GREATER THAN 75mm, ASPHALT MUST BE PLACED IN TWO LIFTS.
- * ALL EXCAVATED MATERIAL TO BE HAULED AWAY.

1. ALL UTILITY CONSTRUCTION AND MAINTENANCE ACTIVITY INVOLVING EXCAVATION IN A CITY STREET OR LANE RIGHT-OF WAY MUST BE REPORTED TO THE CONSTRUCTION & DESIGN DIVISION CITY OF SASKATOON.
2. REPAIRS/RESTORATION OF THE STREET/LANE SURFACE SHALL BE DONE AS SHOWN.

REVISIONS	
1	MRH 03-12-22
2	HLO 06-01-20
3	HLO 07-02-28
4	REVISED DIVISION NAME 2015-DEC-01 HLO
DRAWN BY <u>RAV</u>	
DATE <u>98-11-06</u>	
SCALES :	
HOR.	NTS
VERT.	



City of Saskatoon
Transportation & Utilities Department

UTILITIES PLACEMENT STANDARDS

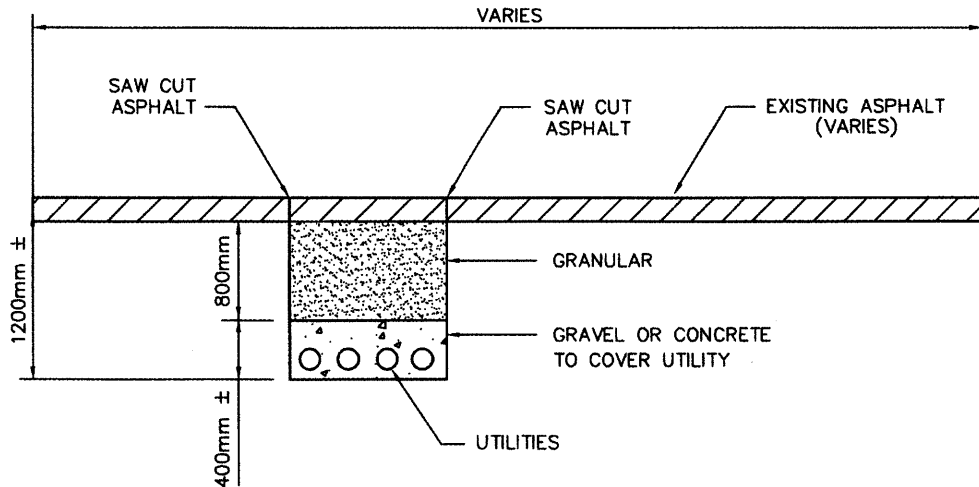
[Signature]
CHIEF ENGINEER
DATE JAN 08 2016

[Signature]
ENGINEER
DATE JAN 08 2016

PLAN NO. 102-0007-002r005

TYPICAL STREET

300mm – 1000mm CUT



- * ASPHALT SHALL BE PLACED AT 75mm THICK OR MATCH EXISTING THICKNESS WHICHEVER IS GREATER. IF EXISTING ASPHALT IS GREATER THAN 75mm, ASPHALT MUST BE PLACED IN TWO LIFTS.
- * THE STREET BASE GRAVEL SHALL BE PLACED IN 150 MM LIFTS (MAXIMUM) AND COMPACTED TO 100 PERCENT OF STANDARD PROCTOR DENSITY AT EXISTING FIELD MOISTURE CONTENT.
- * COMPACTION TEST REPORTS MUST BE PROVIDED REPORTS CAN BE FAXED TO 975-2971.
- * ALL EXCAVATED MATERIAL TO BE HAULED AWAY.

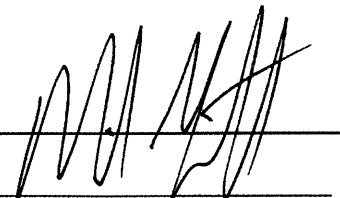
1. ALL UTILITY CONSTRUCTION AND MAINTENANCE ACTIVITY INVOLVING EXCAVATION IN A CITY STREET OR LANE RIGHT-OF WAY MUST BE REPORTED TO THE CONSTRUCTION & DESIGN DIVISION CITY OF SASKATOON.
2. REPAIRS/RESTORATION OF THE STREET/LANE SURFACE SHALL BE DONE AS SHOWN.


REVISIONS	
1	MRH 03-12-22
2	HLO 06-01-20
3	HLO 07-02-28
4	REVISED DIVISION NAME 2015-DEC-01 HLO
DRAWN BY <u>RAV</u>	
DATE <u>98-11-06</u>	
SCALES : HOR. NTS VERT.	



City of Saskatoon
Transportation & Utilities Department

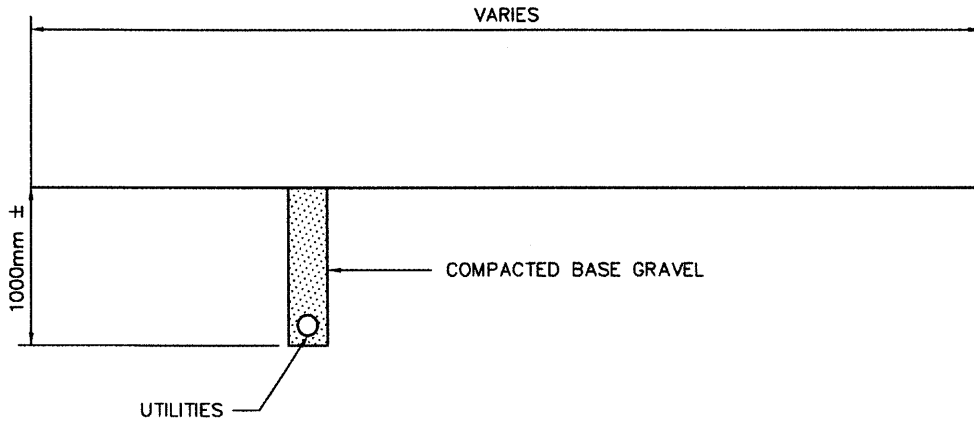
UTILITIES PLACEMENT STANDARDS


 CHIEF ENGINEER
 DATE JAN 08 2016


 ENGINEER
 DATE JAN 08 2016


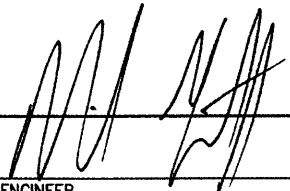
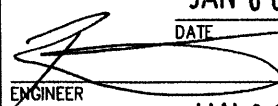
PLAN NO. 102-0007-003r005

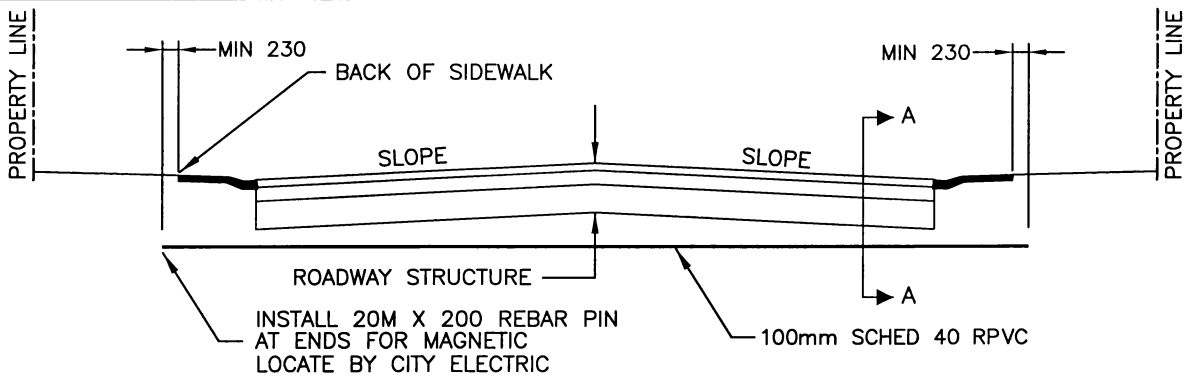
TYPICAL GRAVEL LANE



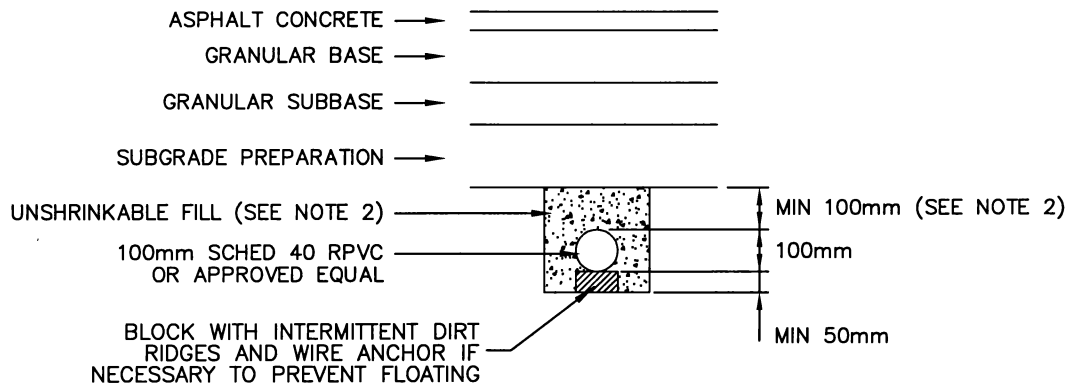
- * FILL BASE GRAVEL SHALL BE PLACED IN 150MM LIFTS (MAXIMUM) AND COMPACTED TO 95 PERCENT OF STANDARD PROCTOR DENSITY AT EXISTING FIELD MOISTURE CONTENT.
- * ALL EXCAVATION MATERIAL IS TO BE HAULED TO AN APPROVED DISPOSAL SITE AWAY FROM THE CONSTRUCTION AREA.

1. ALL UTILITY CONSTRUCTION AND MAINTENANCE ACTIVITY INVOLVING EXCAVATION IN A CITY STREET OR LANE RIGHT-OF WAY MUST BE REPORTED TO THE CONSTRUCTION & DESIGN DIVISION CITY OF SASKATOON.
2. REPAIRS/RESTORATION OF THE STREET/LANE SURFACE SHALL BE DONE AS SHOWN.

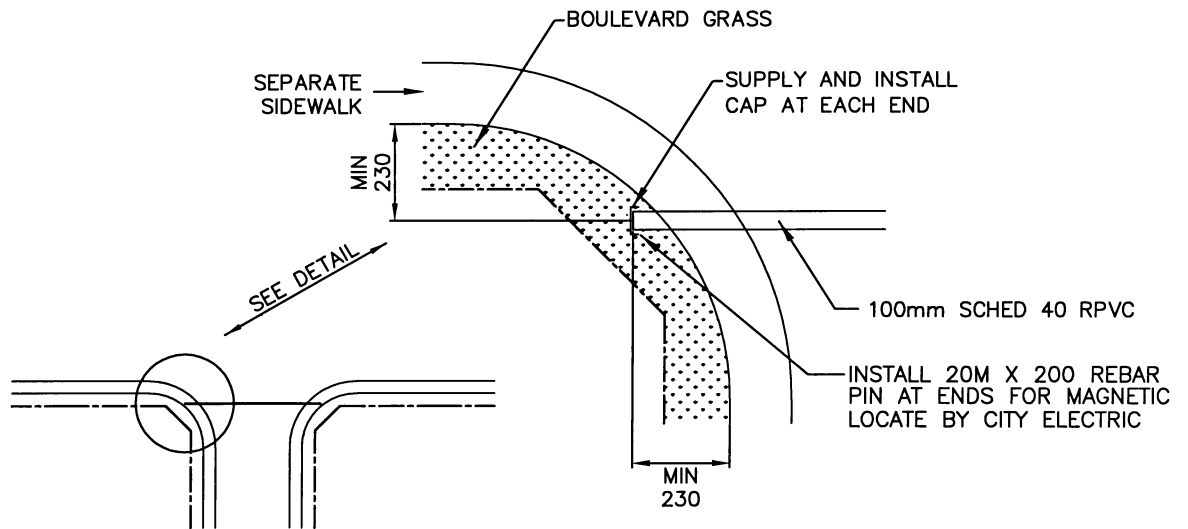
REVISIONS		 City of Saskatoon Transportation & Utilities Department	 CHIEF ENGINEER
1	CC 02-04-08		DATE JAN 0 8 2016
2	HLO 06-01-20		DATE
3	REVISED DIVISION NAME 2015-DEC-01 HLO	 ENGINEER	
DRAWN BY <u>RAV</u> DATE <u>98-11-06</u>		UTILITIES PLACEMENT STANDARDS	DATE JAN 0 8 2016 DATE
SCALES : HOR. NTS VERT.		PLAN NO. 102-0007-005r003	



PROFILE



SECTION A-A



TYPICAL PLAN

NOTES:

1. PULL ROPE MUST BE INSTALLED IN SLEEVE (1/4" POLY ROPE OR APPROVED EQUAL)
2. UNSHRINKABLE FILL MAY EXTEND TO UNDERSIDE OF SUBBASE IF INSTALLED AFTER SUBGRADE PREPARATION
3. UNSHRINKABLE FILL AS PER STANDARD SPECIFICATIONS DIV. 8 SEC. 08000
4. AFTER BACKFILL, PULL 75mm MANDRELL THROUGH SLEEVE IN PRESENCE OF ENGINEER

REVISIONS	
1	
2	
3	



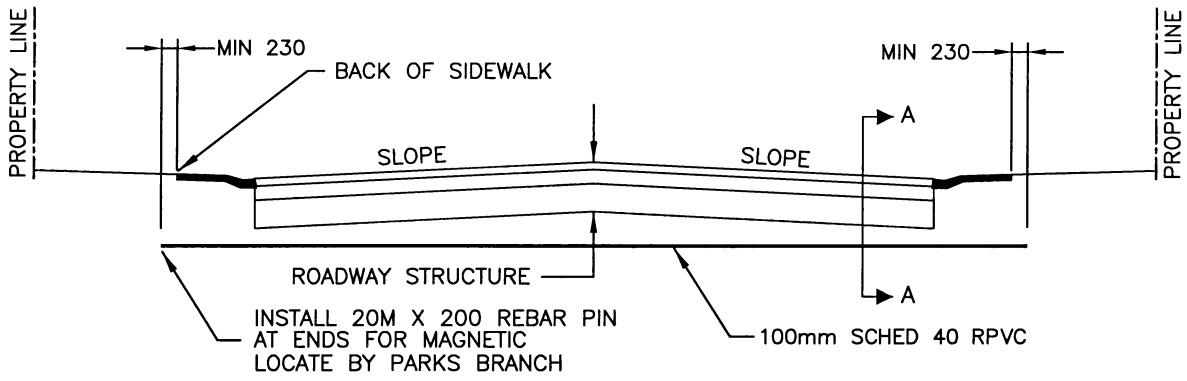
City of Saskatoon
Infrastructure Services Department

APPROVED
[Signature] P. ENG.
GENERAL MANAGER
A. Boyko
ENGINEER

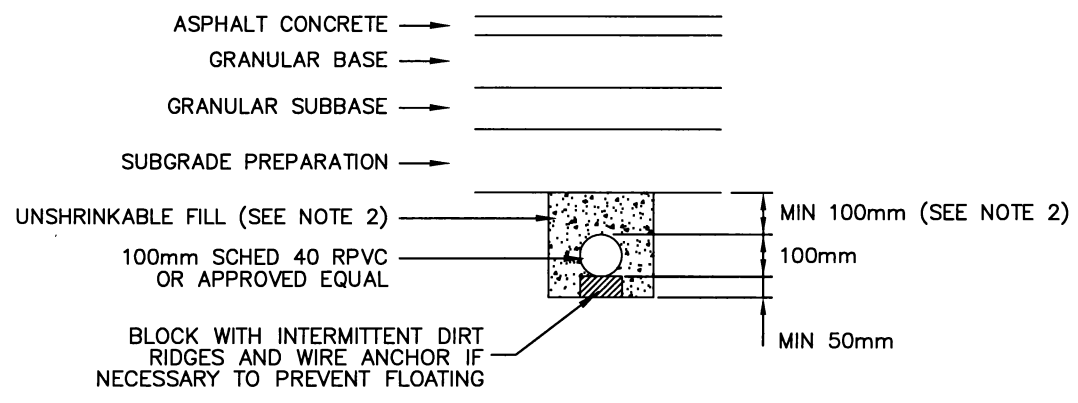
DRAWN BY A. YOUNG
DATE 2003-02-25
CHECKED BY _____
DATE _____

TYPICAL ROADWAY CROSSING ELECTRICAL SLEEVE

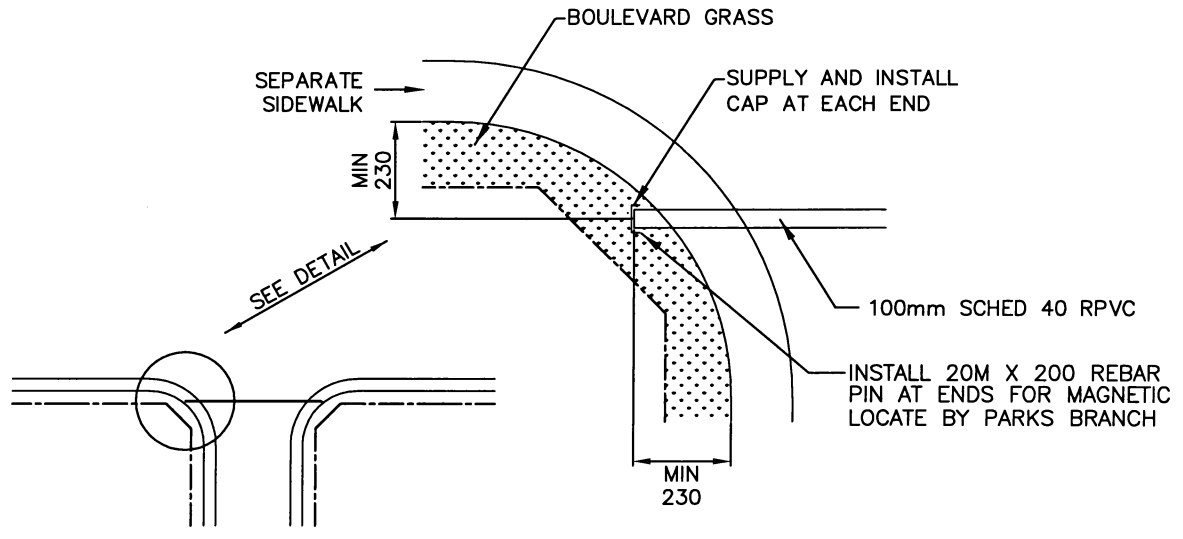
ENGINEER _____
SCALES : HOR. NTS _____
PLAN NO. 102-0007-006r001



PROFILE



SECTION A-A



TYPICAL PLAN

NOTES:

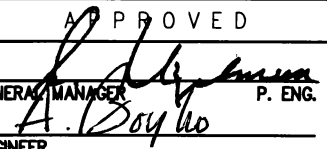
1. PULL ROPE MUST BE INSTALLED IN SLEEVE (1/4" POLY ROPE OR APPROVED EQUAL)
2. UNSHRINKABLE FILL MAY EXTEND TO UNDERSIDE OF SUBBASE IF INSTALLED AFTER SUBGRADE PREPARATION
3. UNSHRINKABLE FILL AS PER STANDARD SPECIFICATIONS DIV. 8 SEC. 08000
4. AFTER BACKFILL PULL 75mm MANDRELL THROUGH SLEEVE IN PRESENCE OF ENGINEER

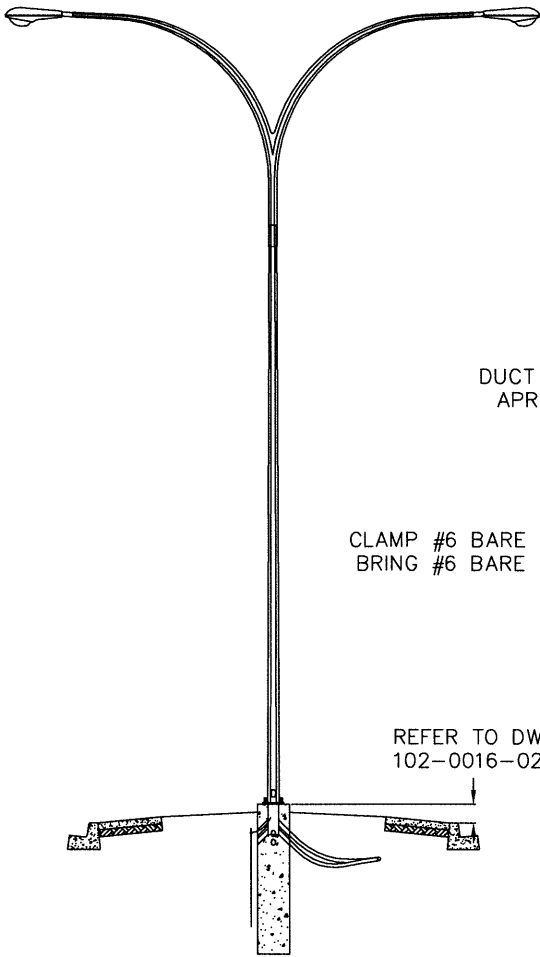
REVISIONS	
1	
2	
3	
DRAWN BY	A. YOUNG
DATE	2003-02-27
CHECKED BY	
DATE	



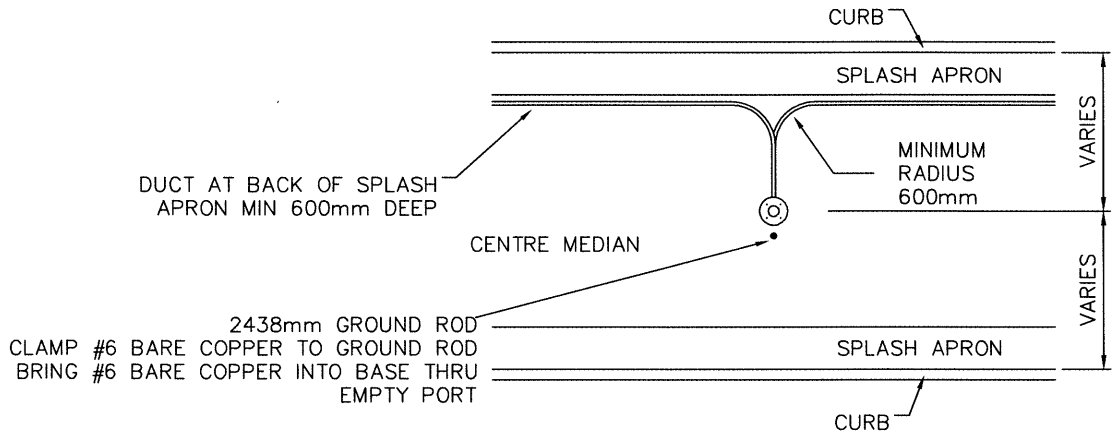
City of Saskatoon
Infrastructure Services Department

TYPICAL ROADWAY CROSSING
IRRIGATION SLEEVE

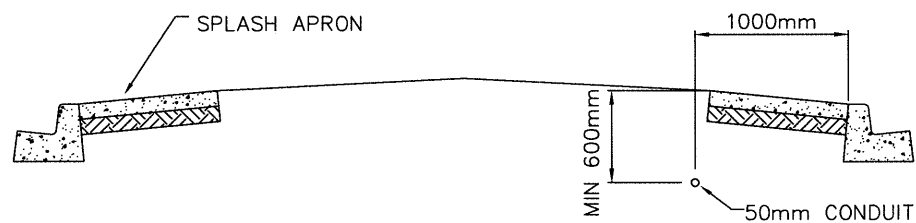
APPROVED
 GENERAL MANAGER P. ENG. ENGINEER
ENGINEER
SCALES : HOR. NTS
PLAN NO. 102-0007-007r001



ELEVATION AT POLE
NTS

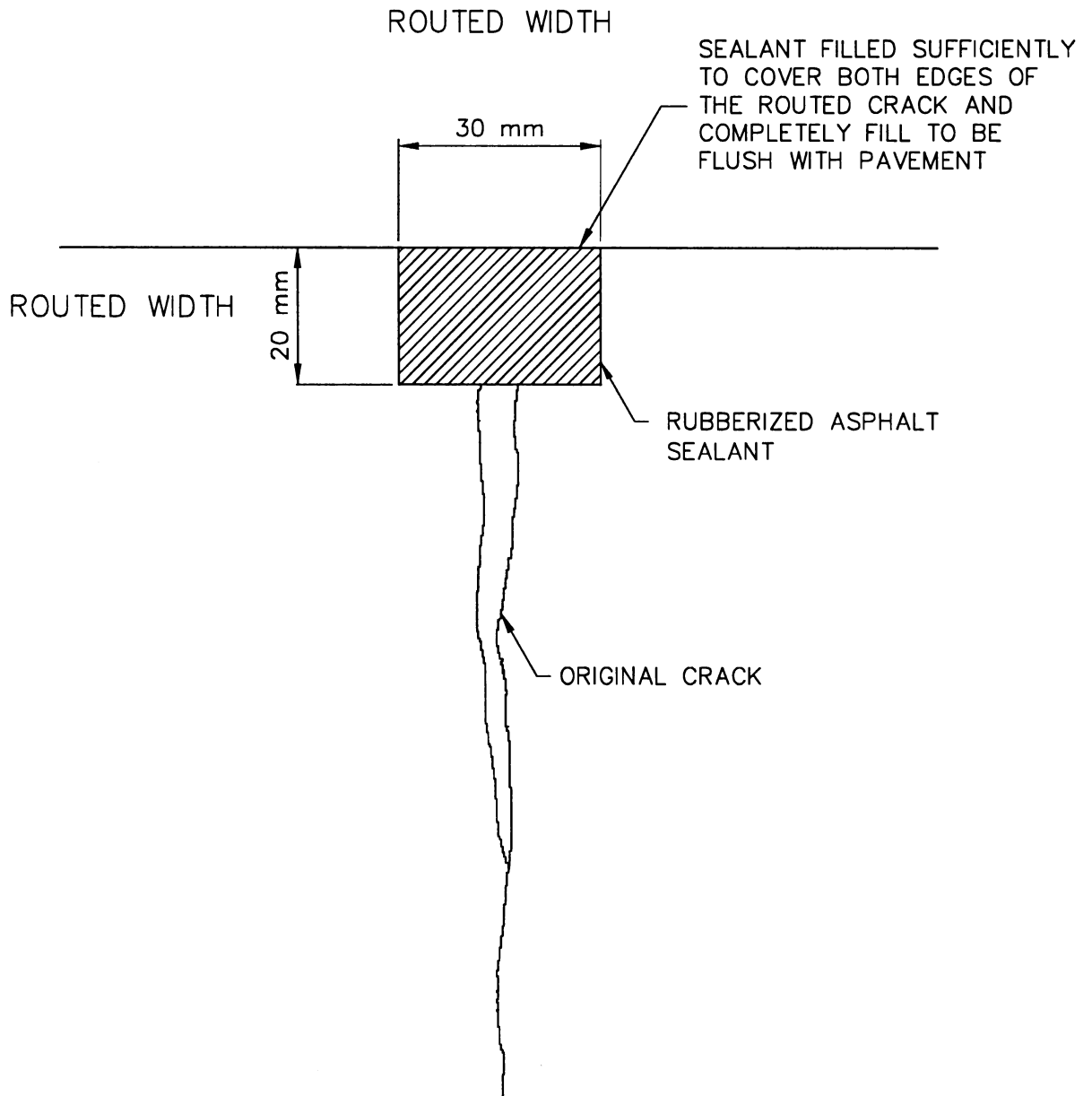


PLAN VIEW
NTS



ELEVATION AT MIDSPAN
NTS

<p>PLAN DESCRIPTION/REVISIONS</p> <table border="1"> <tr><td>4</td><td></td></tr> <tr><td>3</td><td></td></tr> <tr><td>2</td><td></td></tr> <tr><td>1</td><td></td></tr> </table>	4		3		2		1		 <p>City of Saskatoon Transportation & Utilities Department</p>	<p>APPROVED</p>
4										
3										
2										
1										
<p>DRAWN BY <u>DJC</u> DATE <u>2014-DEC-17</u> SCALE : HOR. <u>N.T.S.</u> VERT. <u>N.T.S.</u></p>	<p>BASE/DUCTING INSTALLATION TYPICAL MEDIAN CROSS SECTION</p>	<p> ENGINEER  ENGINEER PLAN NO. <u>102-0007-008r001</u></p>								

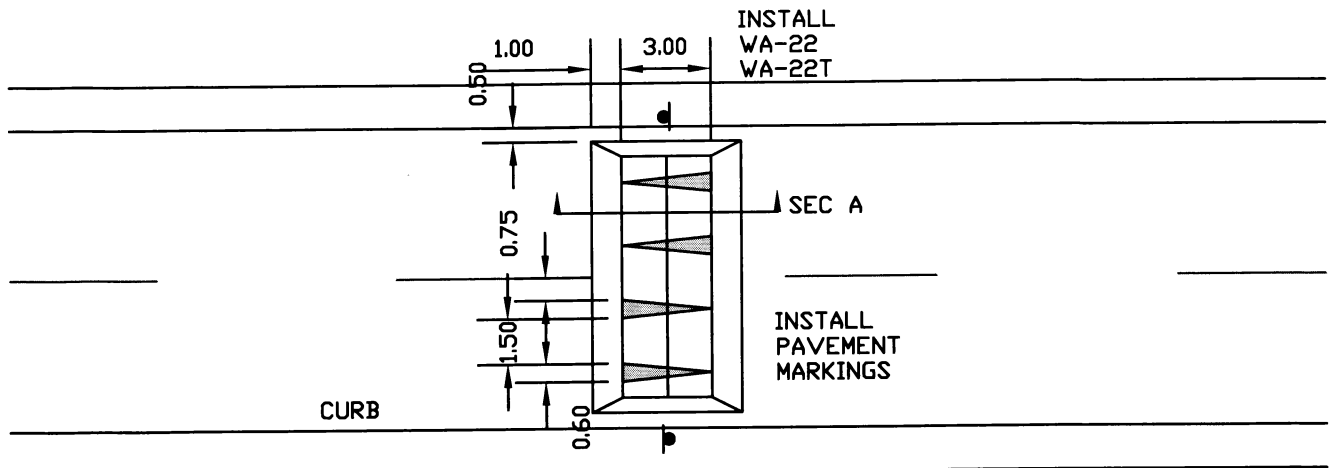


REVISIONS	
1	
2	
3	
DRAWN BY <u>J. LEIER</u>	
DATE <u>00-01-20</u>	
CHECKED BY _____	
DATE _____	

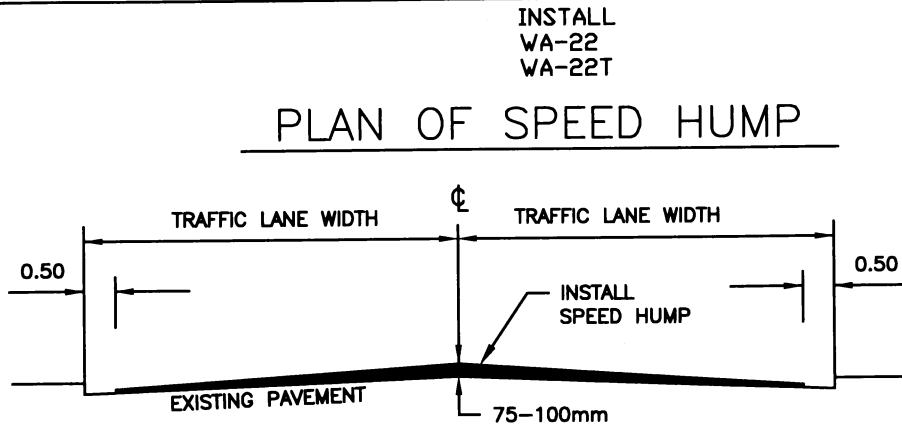


CROSS SECTION
FOR RUBBERIZED
ASPHALT CRACK SEALANT

APPROVED	
<u>[Signature]</u> GENERAL MANAGER	P. ENG.
ENGINEER	
<u>[Signature]</u> ENGINEER	
SCALES : HOR. <u>NTS</u> VERT. _____	
PLAN NO. 102-0008-001r001	

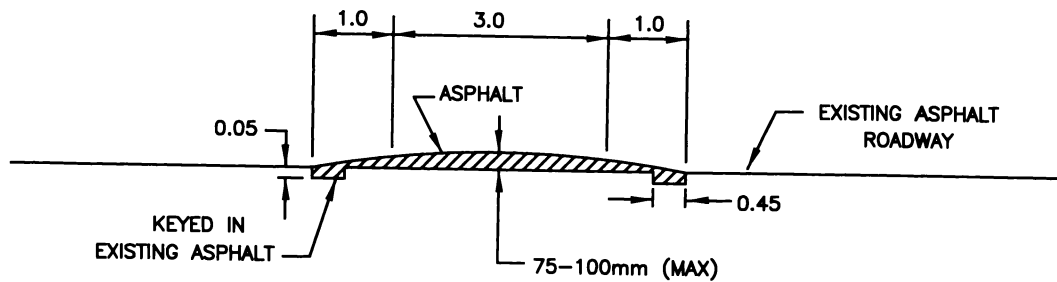


PLAN OF SPEED HUMP



ROAD CROSS SECTION
AT HUMP LOCATION

SCALE- 1:100 HOR 1:50 VER



SECTION A-A
SPEED HUMP SECTION

SCALE- 1:10

REVISIONS	
1	
2	
3	



APPROVED

Paul Myrango
GENERAL MANAGER P. ENG.
ENGINEER

Shirley Matt
ENGINEER

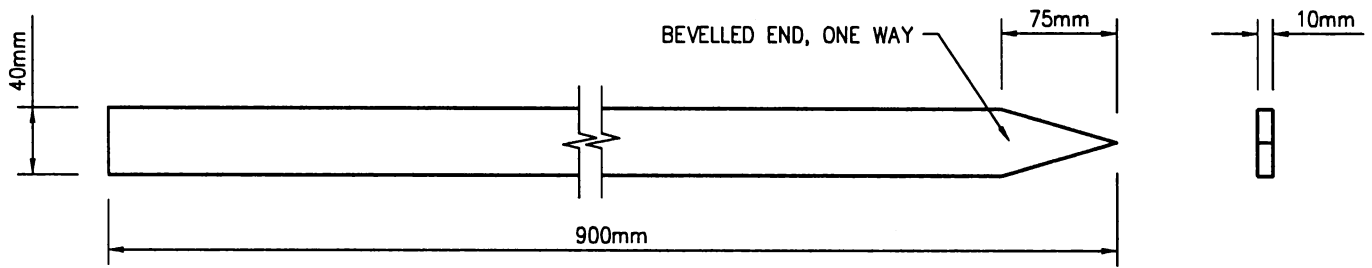
DRAWN BY HAF
DATE APR 07

SPEED HUMP
CROSS SECTIONS

SCALES
HOR. 1:250 VERT.

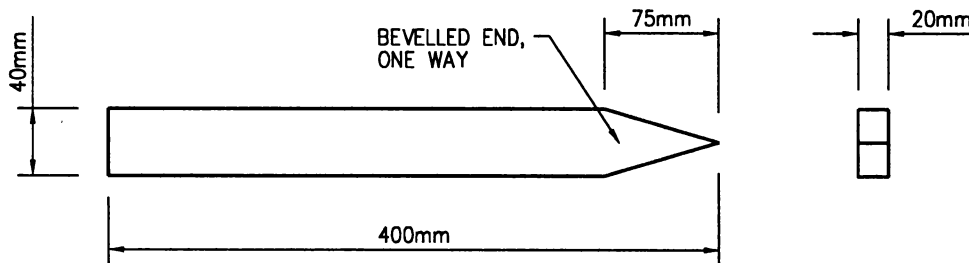
CHECKED BY
DATE

PLAN NO. 102-0008-002r-Q01



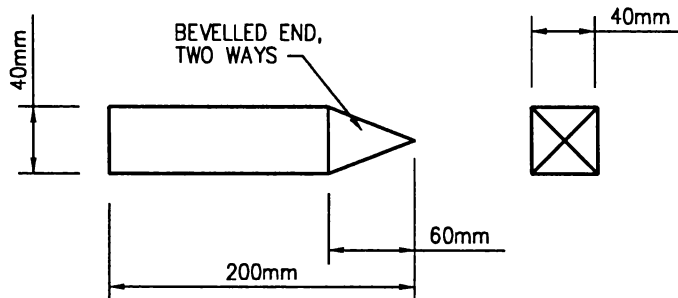
LATH 10mm x 40mm x 900mm

BUNDLES OF 100



STAKES 20mm x 40mm x 400mm

BUNDLES OF 50



HUBS 40mm x 40mm x 200mm

BUNDLES OF 25

MATERIAL:

SEASONED SPRUCE, CLEAR OF KNOTS.

SHOULD BE ABLE TO WITHSTAND MODERATE TO HEAVY HAMMERING.

SMOOTHNESS:

LATH SHALL BE PLANED ON ONE 40mm SIDE AND PLANED OR RESAWN ON THE OTHER.

20mm x 40mm STAKES SHALL BE PLANED ON ALL SIDES.

PAINTING:

THE TOP 200mm OF LATH AND 20mm x 40mm STAKES SHALL BE PAINTED FLOURECENT PINK.

THE TOP 100mm OF 40mm X 40mm HUBS SHALL BE PAINTED FLOURECENT PINK.

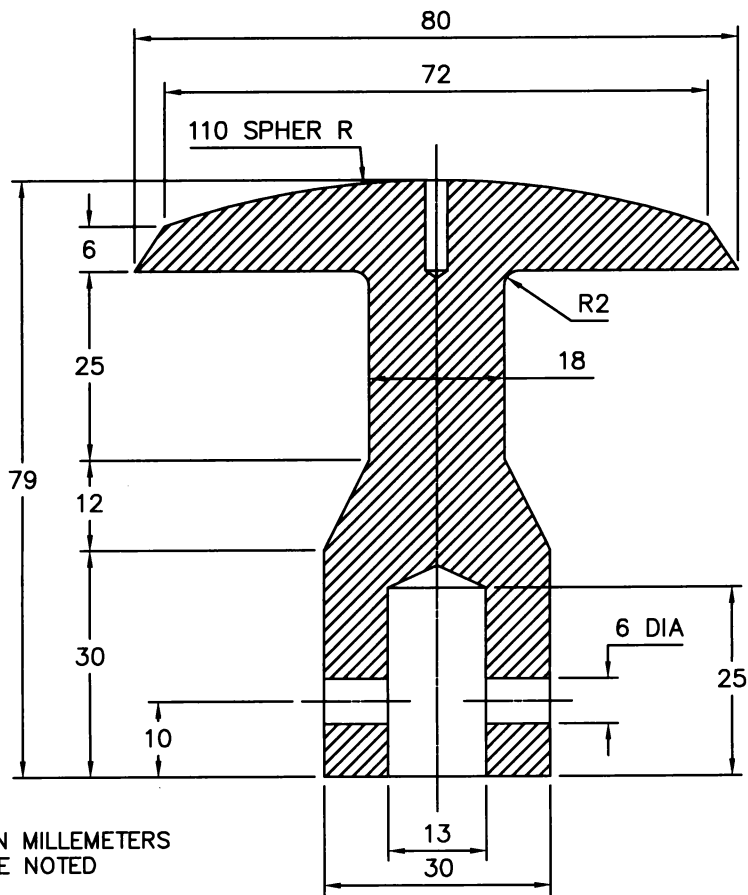
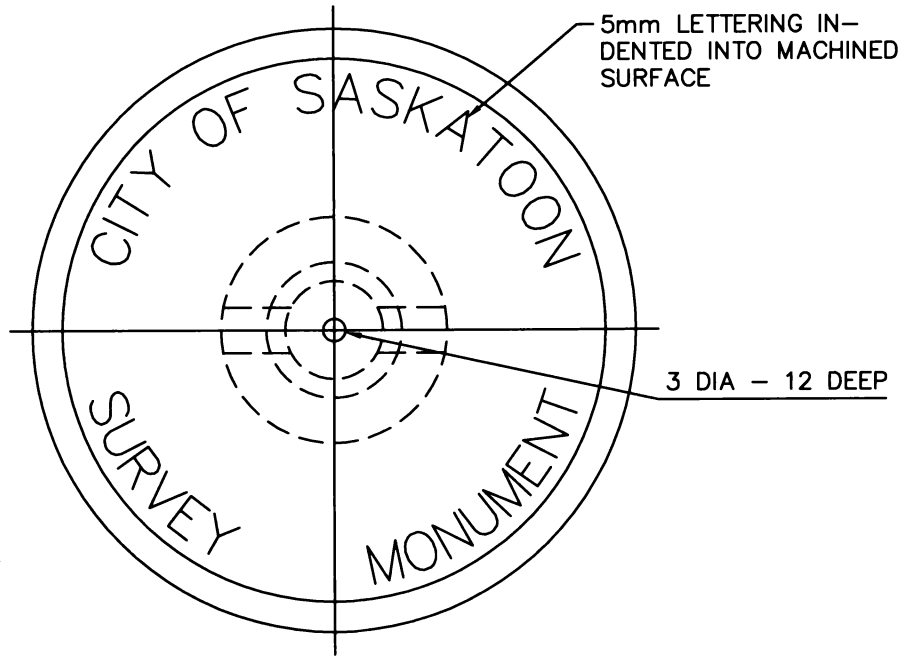
H:\S_LIBRARY_DEPT\102\1020009001r001.dwg

REVISIONS	
1	95-08-16 LCI
2	96-06-26 LCI
3	00-02-15 METRIC JLL
DRAWN BY <u>SLM</u>	
DATE <u>92-04-02</u>	
CHECKED BY _____	
DATE _____	



SPECIFICATIONS FOR SURVEY STAKES

APPROVED	
<i>[Signature]</i>	
GENERAL MANAGER	P. ENG.
ENGINEER <i>[Signature]</i>	
ENGINEER	
SCALES : HOR. <u>1:5</u> VERT. _____	
PLAN NO. 102-0009-001r001	



ALL DIMENSIONS IN MILLEMETERS UNLESS OTHERWISE NOTED

MATERIAL: BRONZE

REVISIONS	
1	
2	
3	



APPROVED

A. Boyle
GENERAL MANAGER P. ENG.
ENGINEER

DRAWN BY J.M.H.
DATE DECEMBER 4, 2002

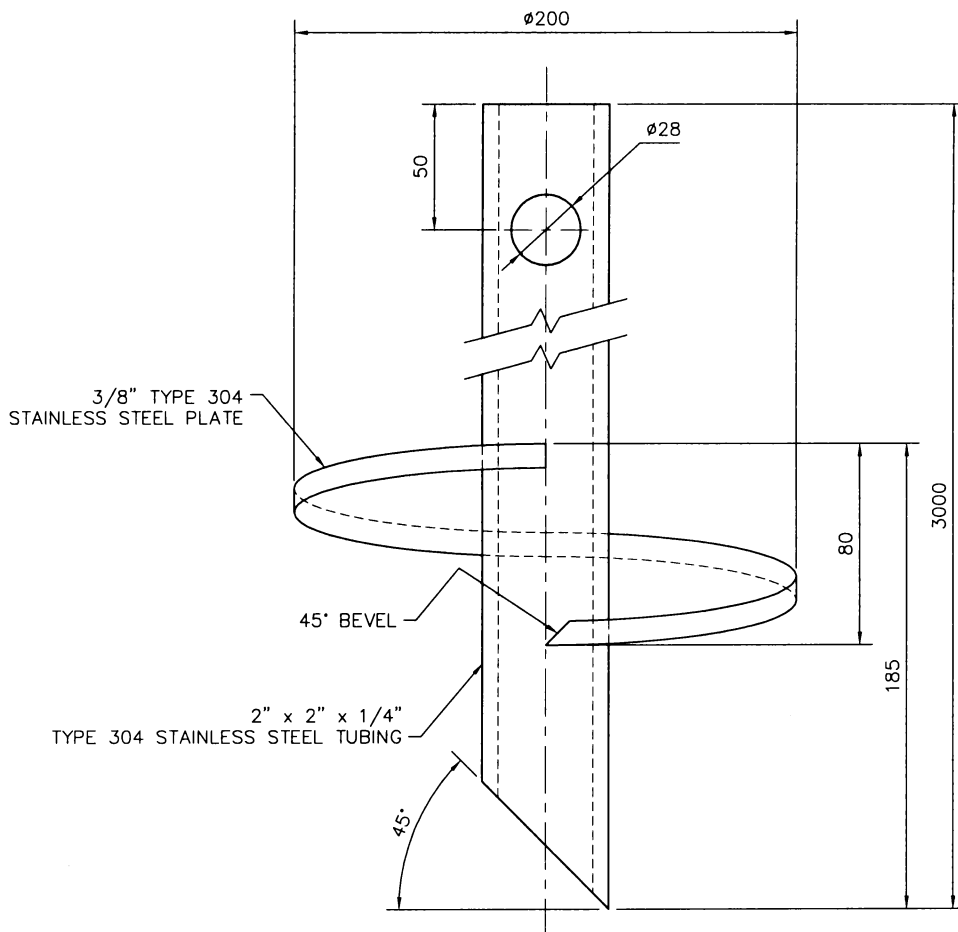
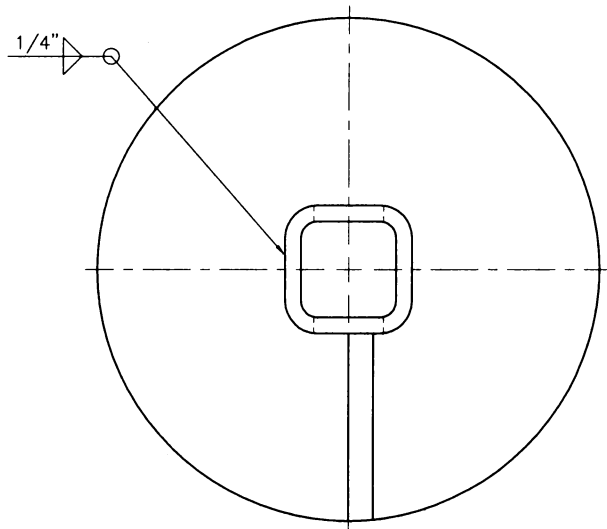
CHECKED BY _____
DATE _____

SURVEY TABLET MARKER
TYPE 1

ENGINEER _____

SCALES : HOR. 1:1 VERT. 1:1

PLAN NO. 102-0009-002r001



ALL DIMENSIONS IN MILLIMETRES UNLESS OTHERWISE NOTED

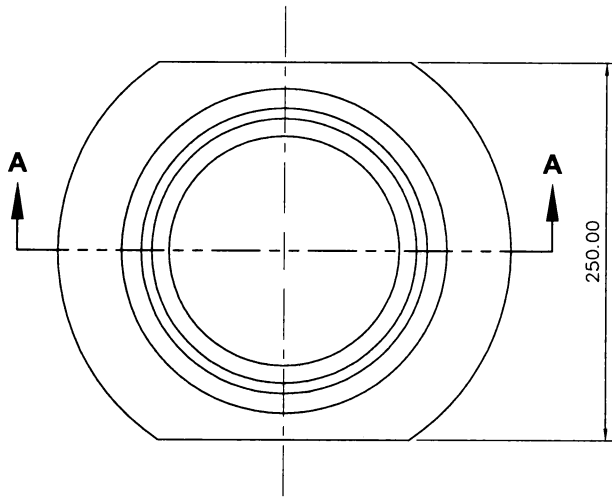
REVISIONS	
1	DIM 70mm to 80mm CC
2	
3	



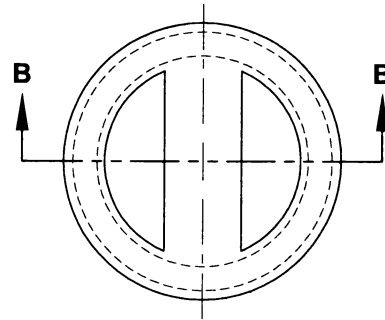
APPROVED	
<i>[Signature]</i>	P. ENG.
GENERAL MANAGER	
ENGINEER	
ENGINEER	
SCALES : HOR. 1:3	
PLAN NO. 102-0009-003r001	

DRAWN BY	C. CARTER
DATE	10/16/01
CHECKED BY	
DATE	

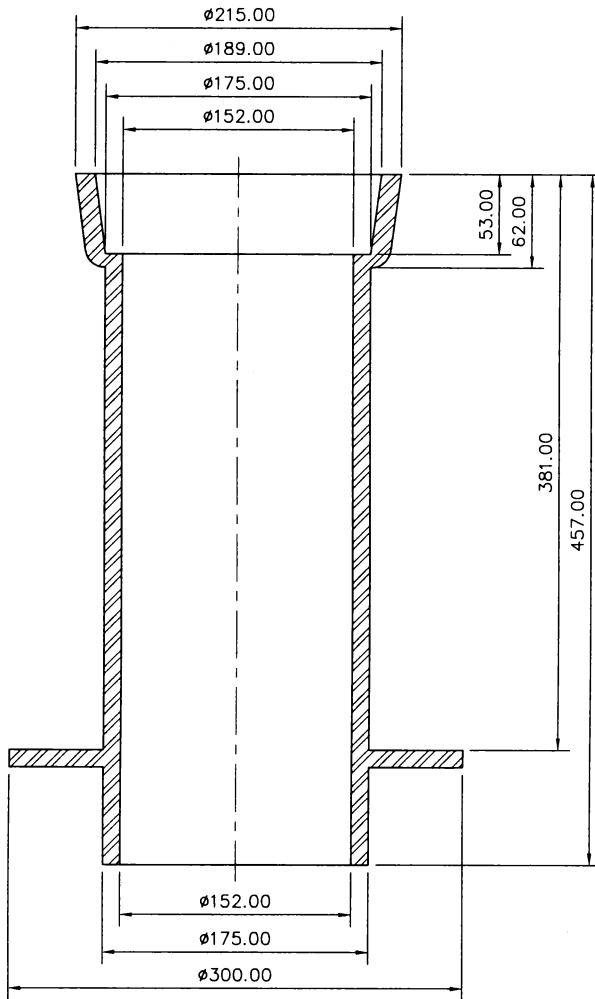
COS SURVEY MARKER



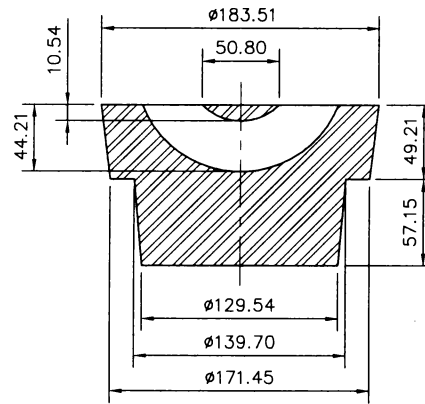
PLAN VIEW



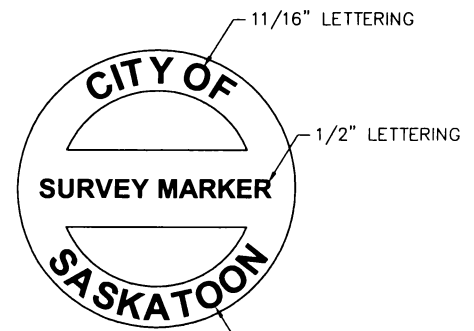
PLAN VIEW



SECTION VIEW A-A



SECTION VIEW B-B



TEXT LOCATION DETAIL

ALL DIMENSIONS IN MILLIMETERS UNLESS OTHERWISE NOTED

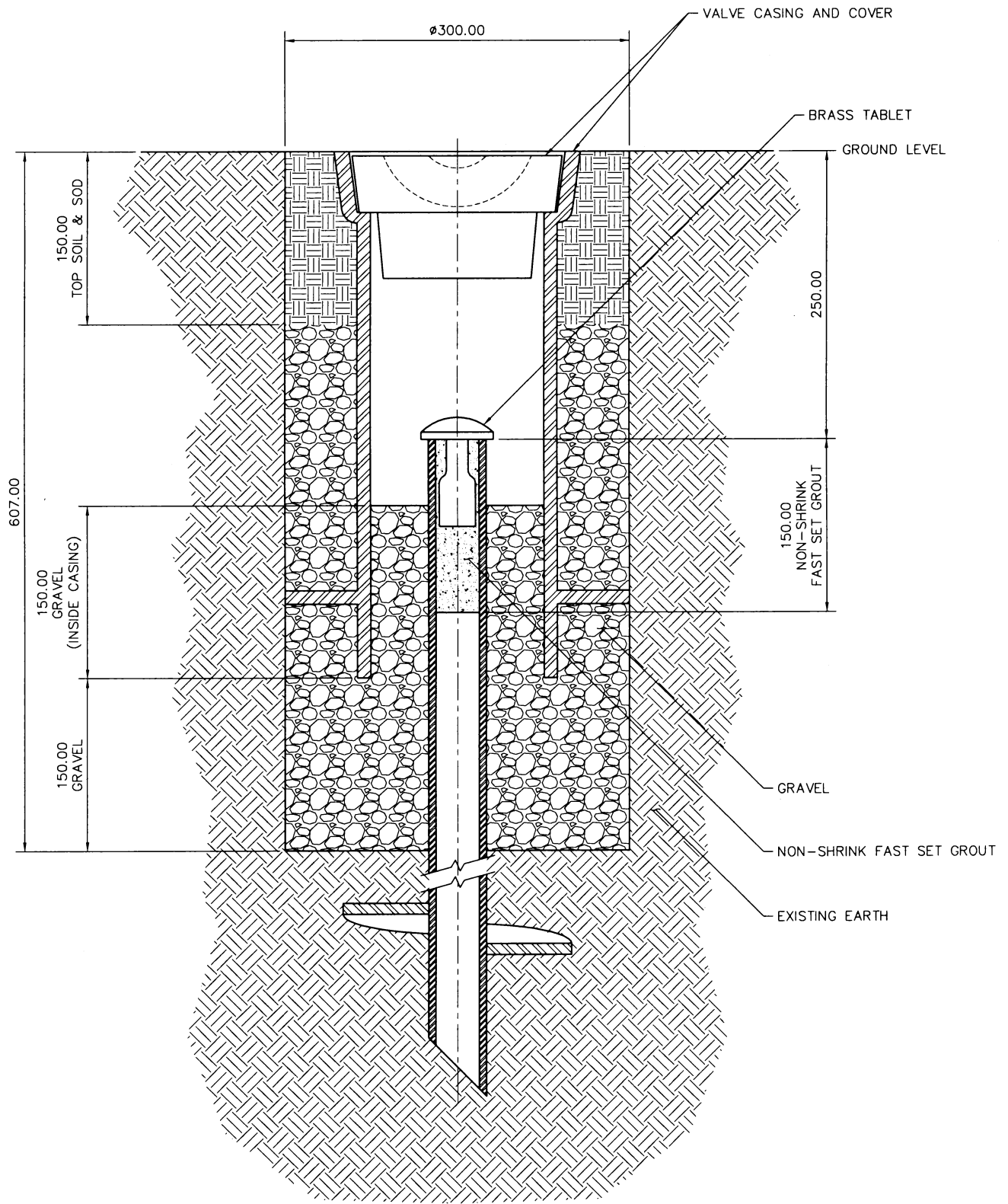
REVISIONS	
1	
2	
3	



APPROVED	
GENERAL MANAGER	P. ENG.
<i>A. Boyle</i>	
ENGINEER	
ENGINEER	
SCALES : HOR. 1:5 VERT. _____	
PLAN NO. 102-0009-004r001	

DRAWN BY	C. CARTER
DATE	10/23/01
CHECKED BY	_____
DATE	_____

COS SURVEY MARKER CASING

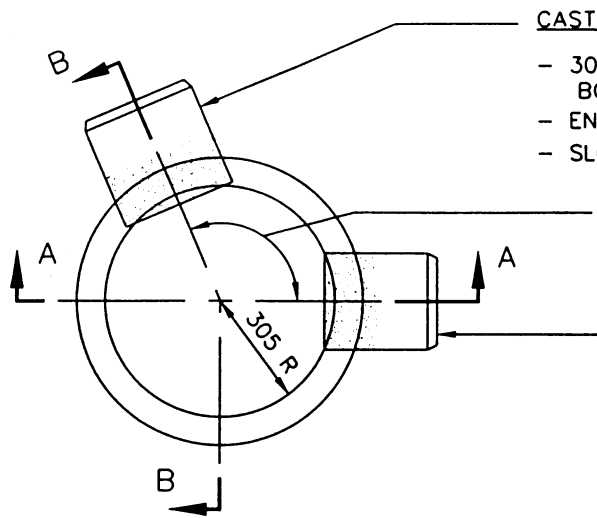


REVISIONS	
1	
2	
3	
DRAWN BY <u>C. CARTER</u>	
DATE <u>10/23/01</u>	
CHECKED BY _____	
DATE _____	

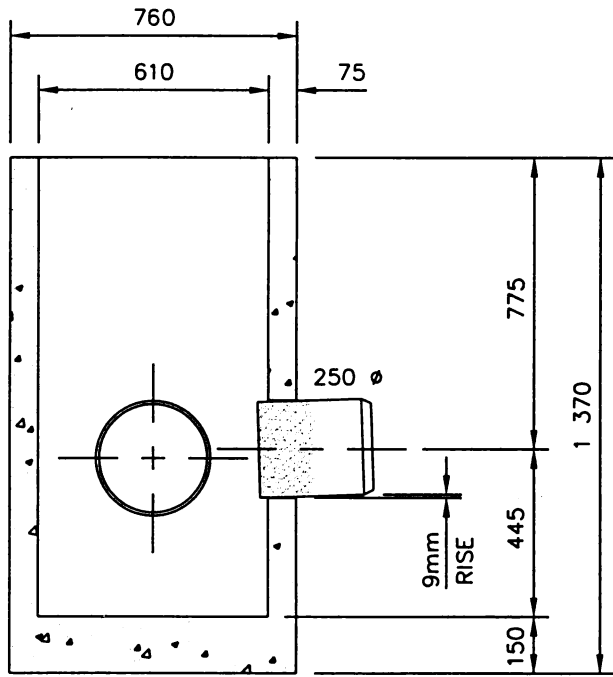


COS SURVEY MARKER INSTALLATION

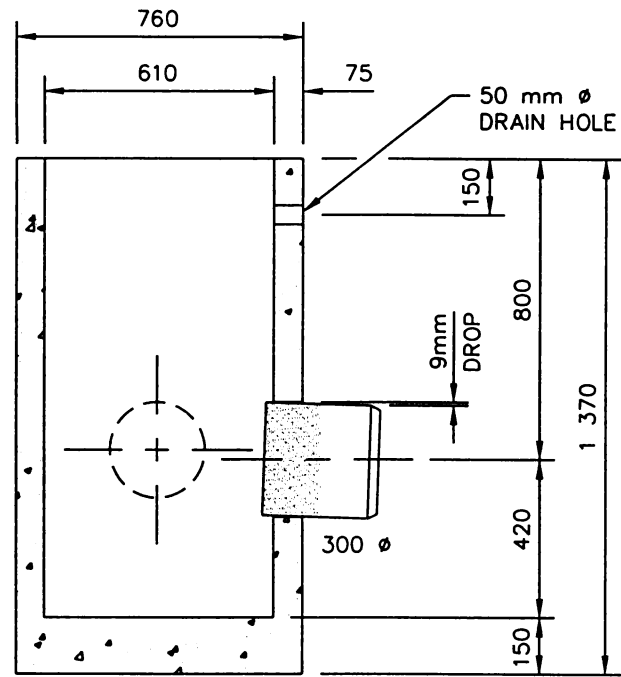
APPROVED	
<i>A. Boyko</i>	
GENERAL MANAGER	P. ENG.
ENGINEER	
ENGINEER	
SCALES : HOR. <u>1:5</u> VERT. _____	
PLAN NO. 102-0009-005r001	



- CAST-IN-PLACE CB OUTLET**
- 300 mm ϕ x 300 mm LONG SDR35 PVC C/W BONDED EXTERIOR GROUT COAT
 - END BEVELLED TO PVC PIPE SPECIFICATIONS
 - SLOPED FOR DISCHARGE AT 3% GRADE
- ANGLE OF DISCHARGE PIPE TO BE SPECIFIED PRIOR TO MANUFACTURE
- CAST-IN-PLACE CB INLET**
- 250 mm ϕ x 300 mm LONG SDR35 PVC C/W BONDED EXTERIOR GROUT COAT
 - END BEVELLED TO PVC PIPE SPECIFICATIONS
 - SLOPED FOR INTAKE AT 3% GRADE



A-A



B-B

SPECIFICATIONS

- MANUFACTURED IN ACCORDANCE WITH A.S.T.M. SPECIFICATIONS C-478 & ALL CURRENT REVISIONS.
- MINIMUM CONCRETE STRENGTH SHALL BE 27.6 MPa IN 28 DAYS.
- REINFORCING STEEL FOR BASE SHALL BE 10 M REINFORCING RODS PLACED 150 mm O.C. EACH WAY.
- ALL CONCRETE SHALL BE PLACED MONOLITHICALLY.

ALL DIMENSIONS IN MILLIMETRES UNLESS OTHERWISE NOTED

REVISIONS	
1	
2	
3	

DRAWN BY MJ
 DATE 99-01-27

CHECKED BY _____
 DATE _____

INFRASTRUCTURE SERVICES
 - City of -
 Saskatoon

**STORM DRAINAGE CATCH BASIN
 (FOR TANDEM INSTALLATION)**

APPROVED

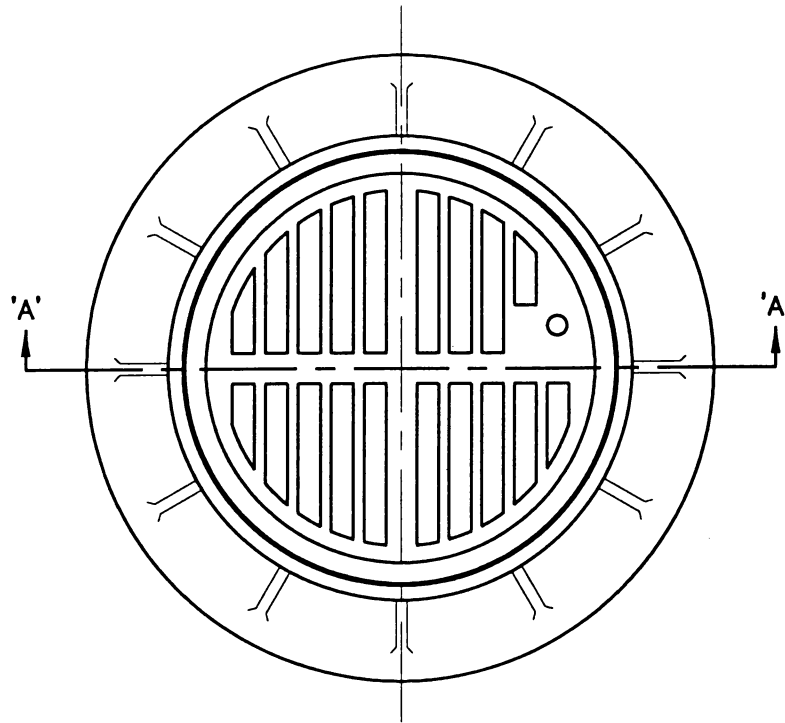
[Signature]
 GENERAL MANAGER P. ENG.

[Signature]
 ENGINEER

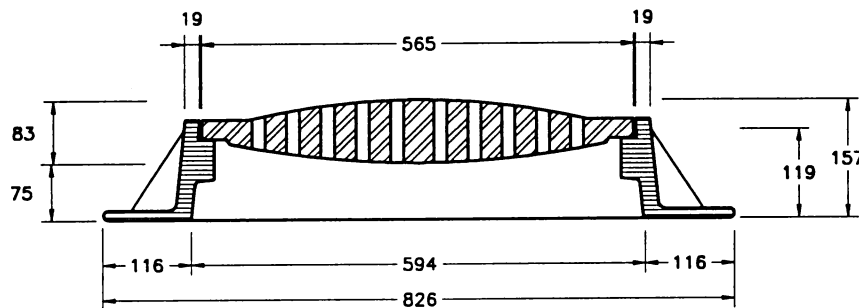
ENGINEER _____

SCALES : HOR. 1:20 VERT. _____

PLAN NO. 102-0010-002r001



PLAN VIEW




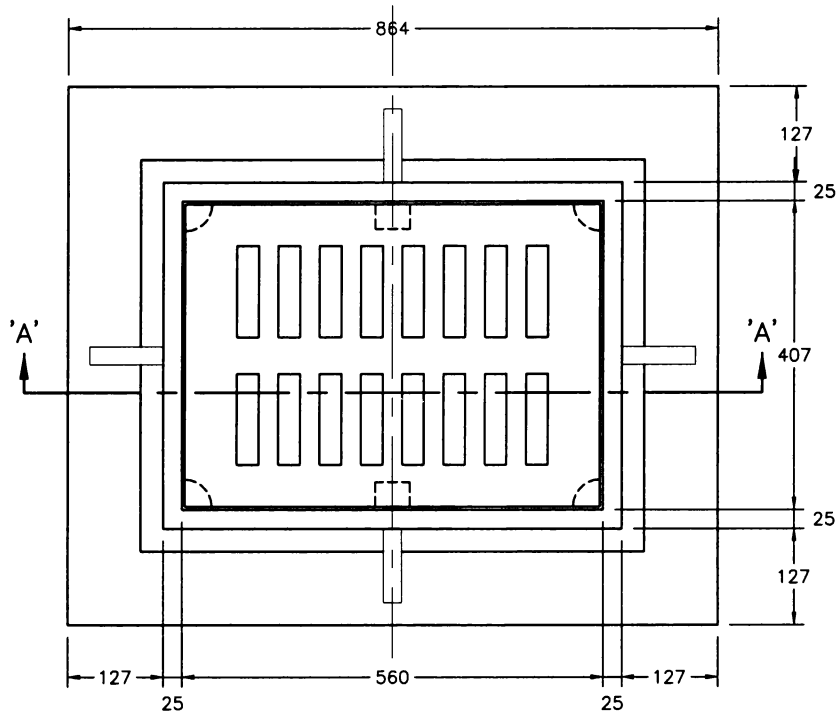
SECTION 'A' - 'A'

SPECIFICATIONS :

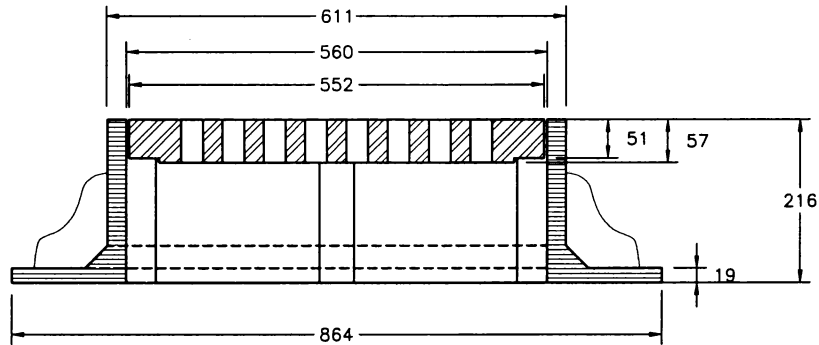
THE CASTINGS SHALL BE TRUE TO PATTERN AND FREE FROM CRACKS, GAS HOLES, FLAWS, AND EXCESSIVE SHRINKAGE. SURFACES OF THE CASTINGS SHALL BE FREE FROM BURNT ON SAND AND SHALL BE REASONABLY SMOOTH. RUNNERS, RISERS, FINS, AND OTHER CAST ON PIECES SHALL BE REMOVED. IN OTHER RESPECTS THE CASTINGS SHALL CONFORM TO WHATEVER POINTS MAY BE AGREED UPON BETWEEN THE MANUFACTURER AND THE ENGINEER.

ALL DIMENSIONS IN MILLIMETRES UNLESS OTHERWISE NOTED

<p>REVISIONS</p> <p>1</p> <p>2</p> <p>3</p>		 <p>CITY OF SASKATOON</p> <p>PUBLIC WORKS</p>	<p>APPROVED</p> <p><i>[Signature]</i></p> <p>GENERAL MANAGER P. ENG.</p> <p><i>A. Boyko</i></p> <p>ENGINEER</p>
<p>DRAWN BY <u>JB</u></p> <p>DATE <u>99-02-18</u></p> <p>CHECKED BY _____</p> <p>DATE _____</p>			<p>500mm ROUND CATCH BASIN</p> <p>FRAME AND COVER</p> <p>ENGINEER</p> <p>SCALES : HOR. <u>1:10</u> VERT. _____</p> <p>PLAN NO. <u>102-0010-003r001</u></p>




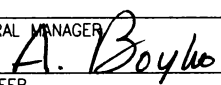
PLAN VIEW

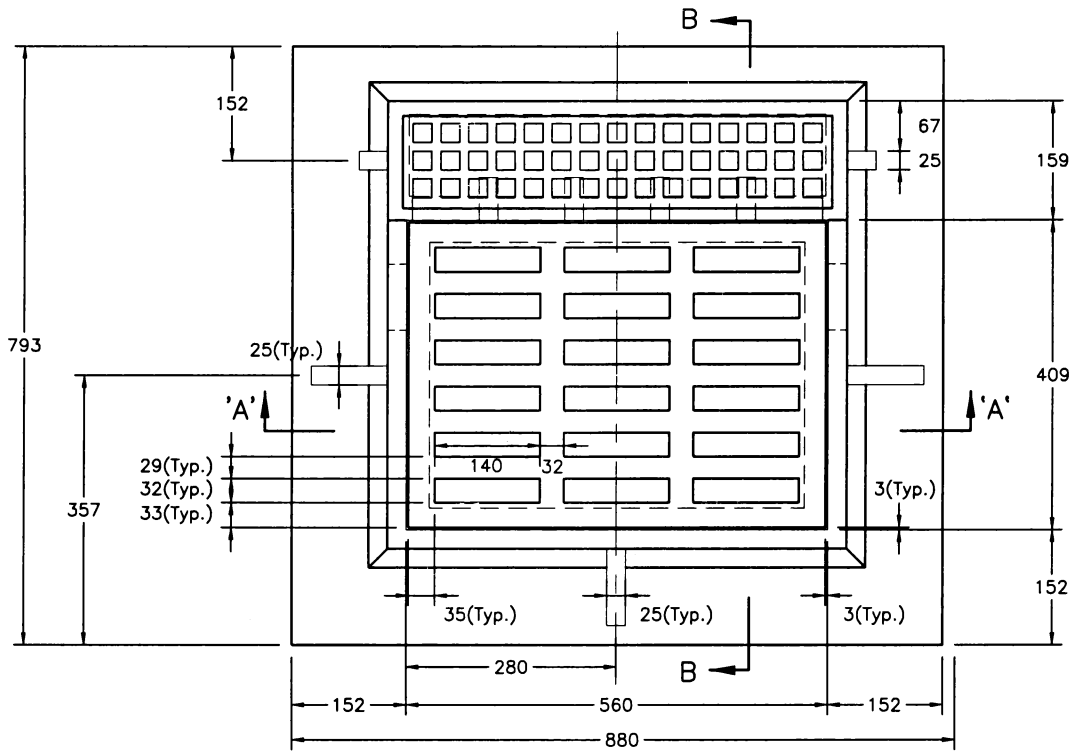


SECTION 'A' - 'A'

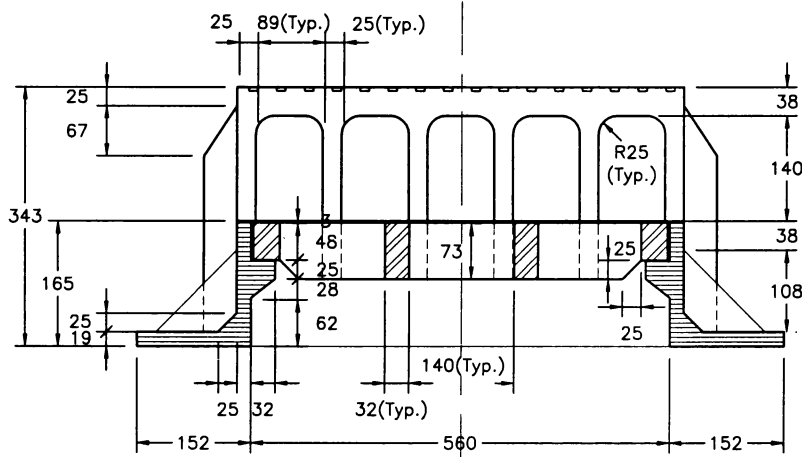
SPECIFICATIONS :

THE CASTINGS SHALL BE TRUE TO PATTERN AND FREE FROM CRACKS, GAS HOLES, FLAWS, AND EXCESSIVE SHRINKAGE. SURFACES OF THE CASTINGS SHALL BE FREE FROM BURNT ON SAND AND SHALL BE REASONABLY SMOOTH. RUNNERS, RISERS, FINS, AND OTHER CAST ON PIECES SHALL BE REMOVED. IN OTHER RESPECTS THE CASTINGS SHALL CONFORM TO WHATEVER POINTS MAY BE AGREED UPON BETWEEN THE MANUFACTURER AND THE ENGINEER.

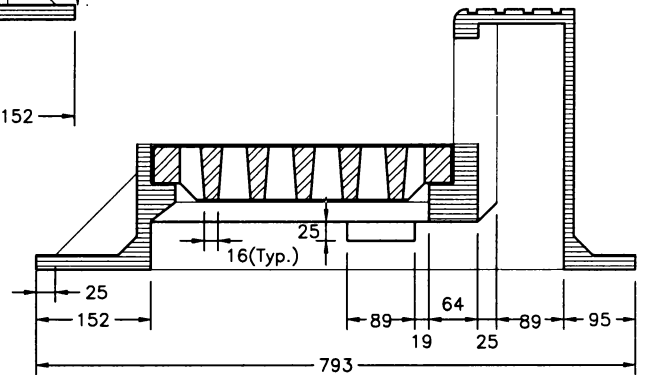
REVISIONS			APPROVED	
1			GENERAL MANAGER	P. ENG.
2				
3				
DRAWN BY <u>JB</u> DATE <u>99-02-18</u>		CATCH BASIN FRAME AND COVER SURFACE INLET MODEL		
CHECKED BY _____ DATE _____				
		ENGINEER		PLAN NO. 102-0010-004r001
		SCALES : HOR. <u>1:10</u> VERT. _____		



PLAN VIEW



SECTION 'A' - 'A'




SECTION 'B' - 'B'

SPECIFICATIONS :

THE CASTINGS SHALL BE TRUE TO PATTERN AND FREE FROM CRACKS, GAS HOLES, FLAWS, AND EXCESSIVE SHRINKAGE. SURFACES OF THE CASTINGS SHALL BE FREE FROM BURNT ON SAND AND SHALL BE REASONABLY SMOOTH. RUNNERS, RISERS, FINS, AND OTHER CAST ON PIECES SHALL BE REMOVED. IN OTHER RESPECTS THE CASTINGS SHALL CONFORM TO WHATEVER POINTS MAY BE AGREED UPON BETWEEN THE MANUFACTURER AND THE ENGINEER.

REVISIONS	
1	
2	
3	

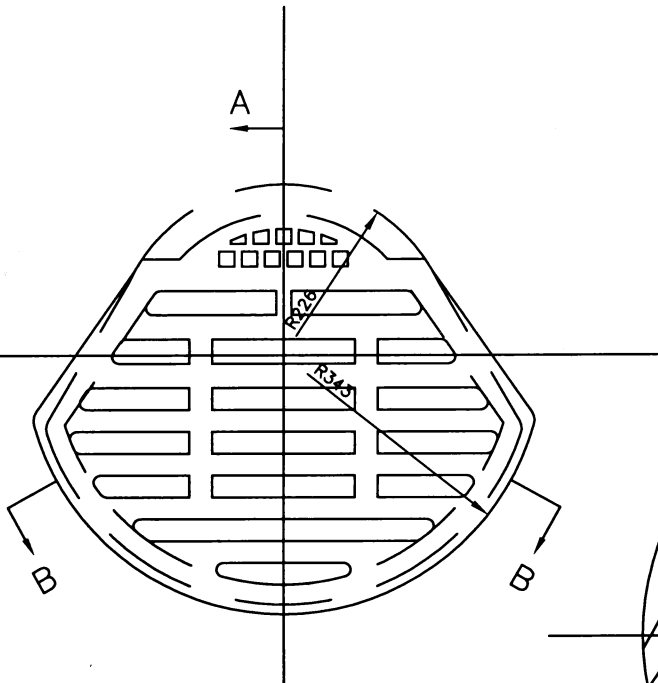

CITY OF SASKATOON
PUBLIC WORKS

APPROVED	
GENERAL MANAGER	P. ENG.
<i>A. Boyle</i>	
ENGINEER	

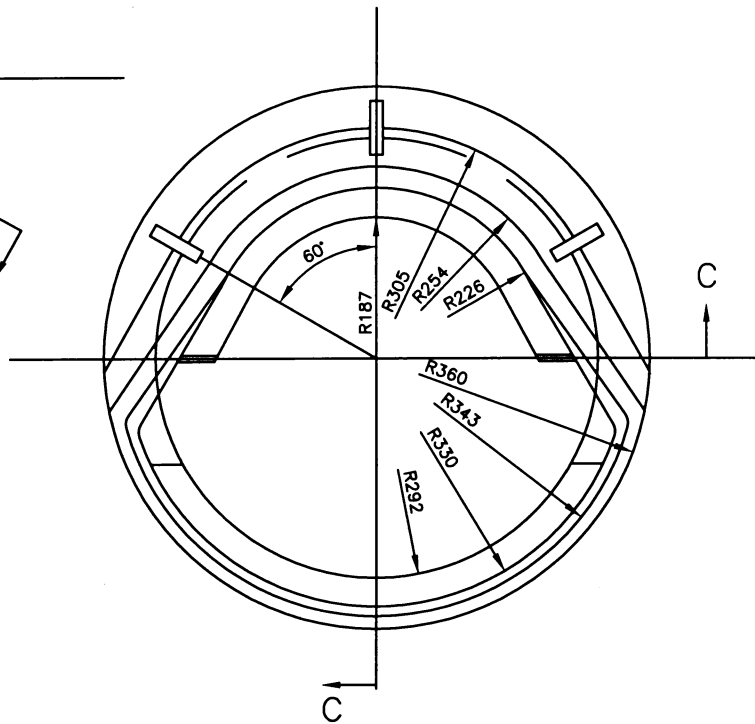
DRAWN BY	JB
DATE	99-02-18
CHECKED BY	
DATE	

CATCH BASIN FRAME AND COVER
CURB INLET MODEL

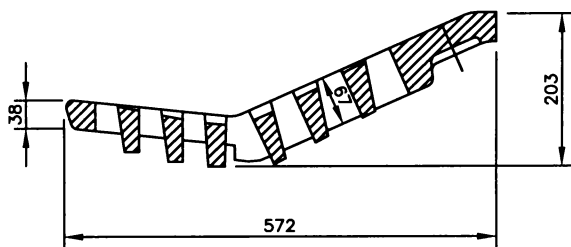
ENGINEER	
SCALES :	HOR. 1:10 VERT. _____
PLAN NO.	102-0010-005r001



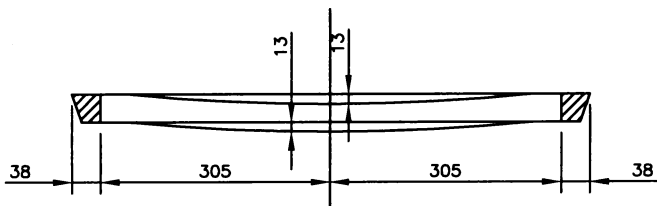
PLAN OF COVER



PLAN OF FRAME



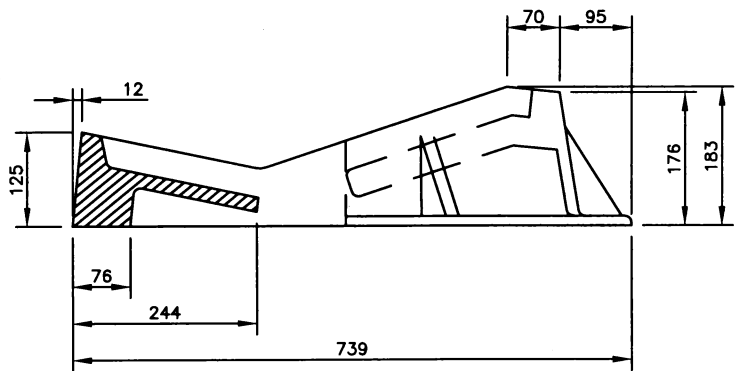
SECTION 'A'



SECTION 'B'

SPECIFICATIONS :

THE CASTINGS SHALL BE TRUE TO PATTERN AND FREE FROM CRACKS, GAS HOLES, FLAWS, AND EXCESSIVE SHRINKAGE. SURFACES OF THE CASTINGS SHALL BE FREE FROM BURNT ON SAND AND SHALL BE REASONABLY SMOOTH. RUNNERS, RISERS, FINS, AND OTHER CAST ON PIECES SHALL BE REMOVED. IN OTHER RESPECTS THE CASTINGS SHALL CONFORM TO WHATEVER POINTS MAY BE AGREED UPON BETWEEN THE MANUFACTURER AND THE ENGINEER.



SECTION 'C'

REVISIONS

1	
2	
3	

DRAWN BY CDC
 DATE 03-04-03
 CHECKED BY _____
 DATE _____



City of Saskatoon
 Infrastructure Services Department

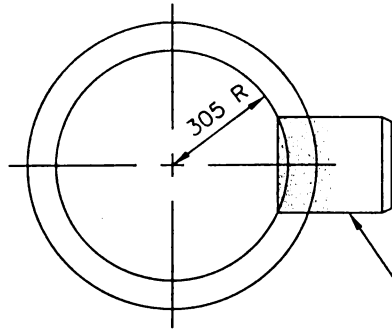
ROLLED CURB
 CATCH BASIN

APPROVED

GENERAL MANAGER A. Boyle P. ENG.
 ENGINEER D.J. Drysdale
 ENGINEER

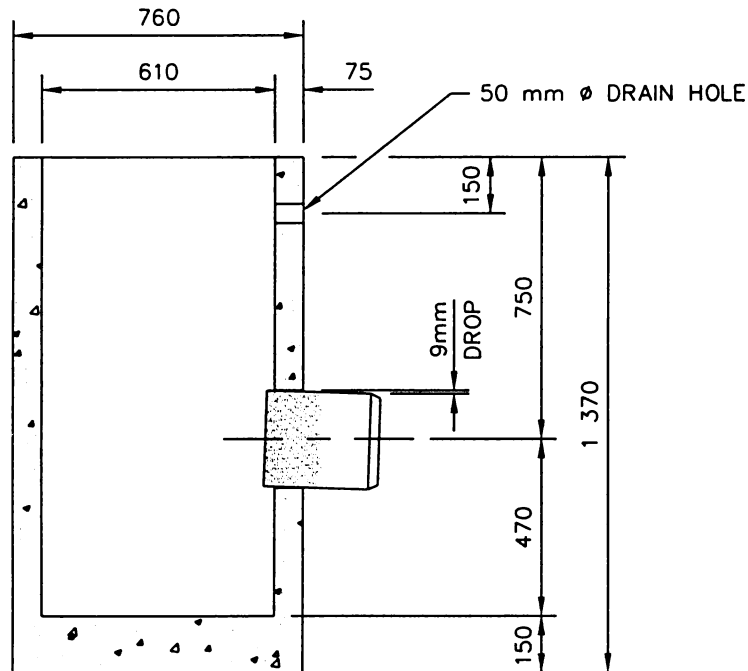
SCALES :
 HOR. 1:10

PLAN NO. 102-0010-006r002



CAST-IN-PLACE CB OUTLET

- 250 mm ϕ x 300 mm LONG SDR35 PVC C/W BONDED EXTERIOR GROUT COAT
- END BEVELLED TO PVC PIPE SPECIFICATIONS
- SLOPED FOR DISCHARGE AT 3% GRADE



SPECIFICATIONS

- MANUFACTURED IN ACCORDANCE WITH A.S.T.M. SPECIFICATIONS C-478 & ALL CURRENT REVISIONS.
- MINIMUM CONCRETE STRENGTH SHALL BE 27.6 MPa IN 28 DAYS.
- REINFORCING STEEL FOR BASE SHALL BE 10 M REINFORCING RODS PLACED 150 mm O.C. EACH WAY.
- ALL CONCRETE SHALL BE PLACED MONOLITHICALLY.

ALL DIMENSIONS IN MILLIMETRES UNLESS OTHERWISE NOTED

<p>REVISIONS</p> <p>1 REDRAWN 98-03-04</p> <p>2</p> <p>3</p>		<p>— City of — Saskatoon</p> <p>INFRASTRUCTURE SERVICES</p>	<p>APPROVED</p> <p><i>[Signature]</i></p> <p>GENERAL MANAGER P. ENG.</p> <p><i>A. Boyko</i></p> <p>ENGINEER</p>	
<p>DRAWN BY MJ</p> <p>DATE 98-03-04</p> <p>CHECKED BY</p> <p>DATE</p>			<p>ENGINEER</p> <p>SCALES : HOR. 1:20 VERT. _____</p>	
<p>PRECAST REINFORCED ROUND CATCH BASIN</p>			08020-DID	PLAN NO. 102-0010-007r001

CATCH BASIN DETAIL
SEE DWG NO.
102-0010-005

SIDEWALK

150mm CONCRETE
GRADE RING

25mm RUBBER ADJUSTMENT
RISER RING

SPRINGLINE OF CATCH
BASIN LEAD

COMPACTED CRUSHED ROCK

75mm MIN.

EXISTING MATERIAL COMPACTED
TO 98% STANDARD PROCTOR

CATCH BASIN SECTION
VERTICAL CURB

MINIMUM 1 - 25mm-50mm
TAPERED RUBBER
ADJUSTMENT RISER RINGS

PVC STUB - SEE DWG
NO. 102-0010-007

250mm OR 300mm CATCH BASIN LEAD

UNSHRINKABLE FILL AS PER 8000-8 OF SPECS
(FILLCRETE) OR APPROVED BACKFILL MATERIAL
COMPACTED TO 98% OF STANDARD PROCTOR
DENSITY

APPROVED ROAD STRUCTURE
COMPACTED TO 100% OF
STANDARD PROCTOR

2-25mm RUBBER
ADJUSTMENT
RISER RINGS

TOP OF SUBGRADE

CONCRETE GRADE
RINGS (OPTIONAL)
MIN 100mm
MAX 300mm

150mm INTO
BARREL, WITH
TOP OF PIPE CUT
ON 45± ANGLE
TO SPRINGLINE

PIPE BEDDING AGGREGATE
MINIMUM 75mm BELOW PIPE TO
150mm ABOVE PIPE
OR
SPRINGLINE WITH UNSHRINKABLE
FROM SPRINGLINE TO 150mm
ABOVE PIPE

300mm
MIN.

300mm
MAX.

HAMILTON KENT
GASKET

CLASS 1 BACKFILL

CATCH BASIN DETAIL
SEE DWG NO.
102-0010-006

2 - 25mm RUBBER
ADJUSTMENT RISER RINGS

CATCH BASIN SECTION
ROLLED CURB

NOTES:

1. ALL MANHOLES TO BE CORED TO ACCEPT CATCH BASIN LEADS AND GASKETS. SUPPLY AND INSTALLATION AS PER DRAWING 102-0010-010
2. DO NOT CORE INTO MANHOLE BETWEEN SECTIONS OR WHERE RUNG IS PRESENT.
3. ANY CHIPS OR BREAKS MUST BE GROUTED AND SURFACES ARE TO BE TOWELED SMOOTH.

SECTION THROUGH MANHOLE

UNSHRINKABLE FILLCRETE
FROM 150mm ABOVE PIPE
TO TOP OF SUBGRADE

600mm MIN.

PIPE BEDDING AGGREGATE COMPACTED
TO 95% OF STANDARD PROCTOR
DENSITY THROUGHOUT TRENCH TO
150mm ABOVE PIPE
OR
UNSHRINKABLE FILLCRETE (PIPE TO BE
PREVENTED FROM FLOATING)

150mm

75mm MIN.

SECTION "A-A"
NTS

PIPE BEDDING AGGREGATE
COMPACTED TO 95% OF STANDARD
PROCTOR DENSITY THROUGHOUT
TRENCH TO SPRINGLINE OF PIPE

REVISIONS

1	ADDED NOTE 1	MAR 03
2	ADDED FILLCRETE	FEB 09
3	BEDDING SAND CHANGED TO PIPE BEDDING AGGREGATE	HLO 03-JAN-2013

DRAWN BY MLB
DATE 09-02-04

CHECKED BY _____
DATE _____



**City of
Saskatoon**
Infrastructure Services Department

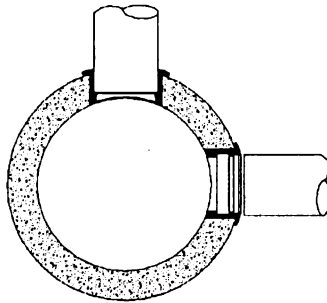
INSTALLATION OF CATCH BASIN LEAD
FOR SIDEWALK CONSTRUCTION

APPROVED
GENERAL MANAGER
ENGINEER
ENGINEER
SCALES : HOR. 1:40
PLAN NO. 102-0010-009-r004

INSTALLATION

Insert connector into pre-formed hole in concrete pipe, or man-hole, ensuring that flanged face is flush with exterior concrete wall. Clean any dirt or debris from the end of the PVC pipe and then thoroughly lubricate the exterior using Tylox® pipe gasket lubricant.

Insert PVC pipe into connector. On pipe to pipe connector ensure that end of pipe is flush with internal stop within connector



MATERIALS

HKT connectors are available in the following materials:

- Isoprene/SBR Blend

Other compounds available as special order.

Please consult your Hamilton Kent agent for your specific requirements.

PHYSICAL PROPERTIES

Physical Test	ASTM	Requirements
Hardness	D2240	47 ± 5
Tensile	D412	2000 (Min.)
Elongation	D412	450%
Compression Set	D395B	15 (Max.)
Air Oven Aging, Tensile (% of original)	D573	15 (Max.)
Air Oven Aging, Elongation (% of original)	D572	20 (Max.)
Durometer Change, Low Temperature.	D2240	+3
Water Aging (% Weight Change)	D471	-0 to +10
Ozone Resistance	D1149	No Cracks

SPECIFICATIONS

HKT connectors are manufactured to meet the material requirements of the following specifications:

- ASTM C923
- ASTM C443
- CSA A257

Other specifications may be available as special order. Please consult your Hamilton Kent agent for your specific requirements.

AVAILABLE SIZES & DIMENSIONS


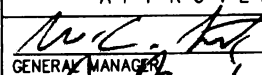
PVC Pipe Size		Core (Nominal)	Cored Hole Dia. Range	Main Pipe Dia. Range (HKP-PP)
mm	in	in	in	in
100	4	5	4.960 – 5.010	12 – 30
150	6	7	6.995 – 4.055	12 – 30
200	8	10	10.055 – 10.145	12 – 30
250	10	12	12.040 – 12.130	12 – 30
300	12	14	14.025 – 14.115	18 – 30
375*	15*	18	17.975 – 18.070	Not Available

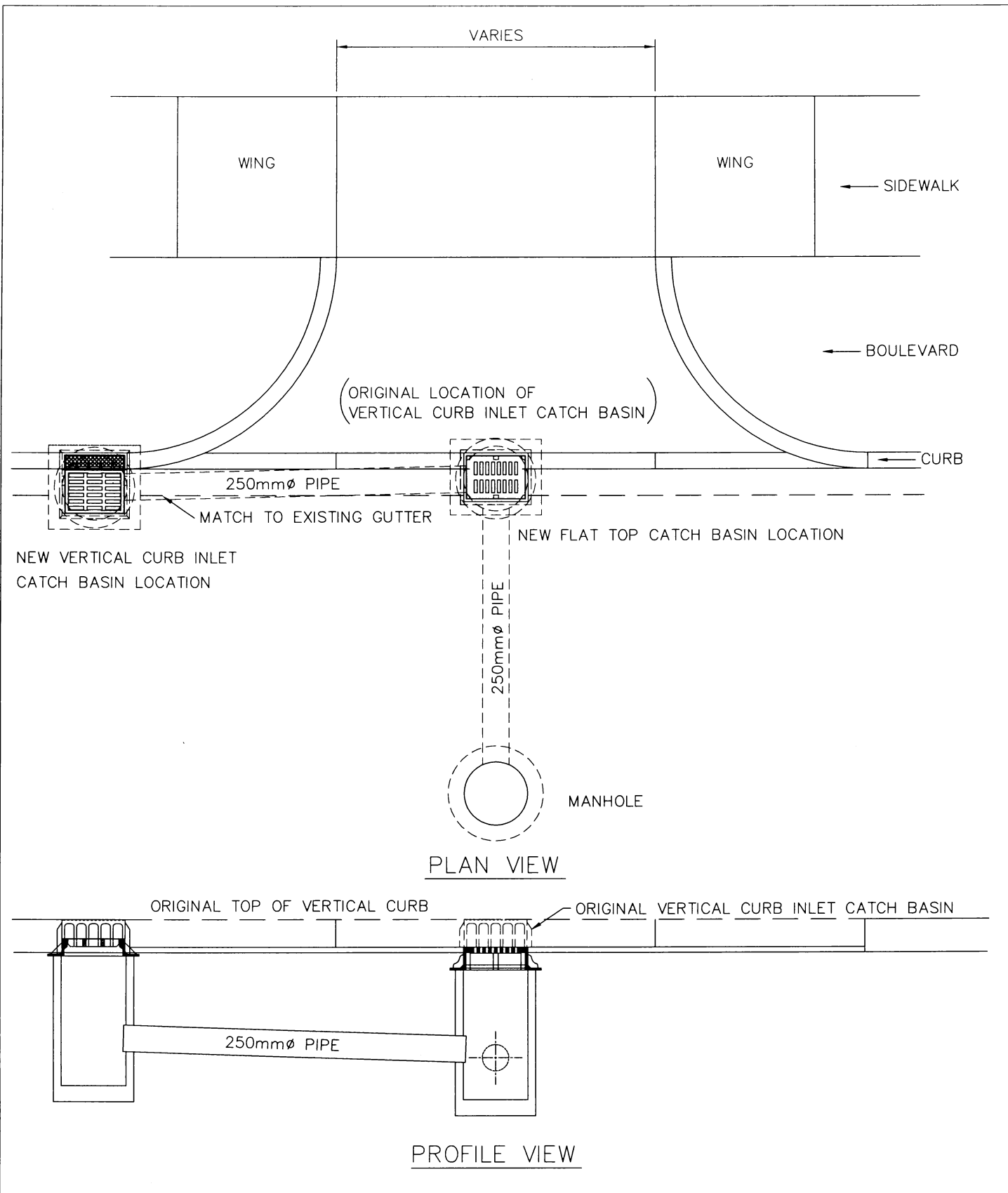
* 375mm (15") not available in HKT-PP

***HK* Hamilton Kent**
make the connection

Hamilton Kent
77, Carlingview Drive
Toronto, Ontario, Canada. M9W 5J6
Phone (800) 268-8479
Fax (888) 674-6960
Web-Site www.hamiltonkent.com
E-mail sales@hamiltonkent.com

Lit_TSS_0306_ER1

REVISIONS		 City of Saskatoon Infrastructure Services Department	APPROVED		
1			 GENERAL MANAGER P. ENG.		
2			ENGINEER		
3			ENGINEER		
DRAWN BY <u>HLO</u> DATE <u>06-01-27</u>		HAMILTON KENT PIPE TO MANHOLE CONNECTOR SPECIFICATION SHEET	SCALES : _____ HOR. _____		
CHECKED BY _____ DATE _____			PLAN NO. 102-0010-010r002		

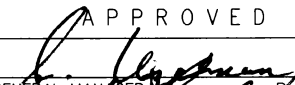



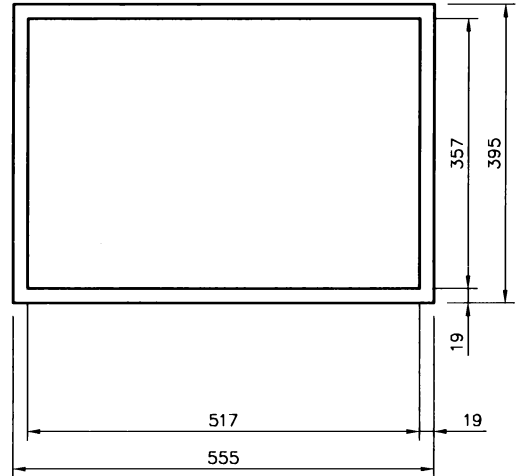
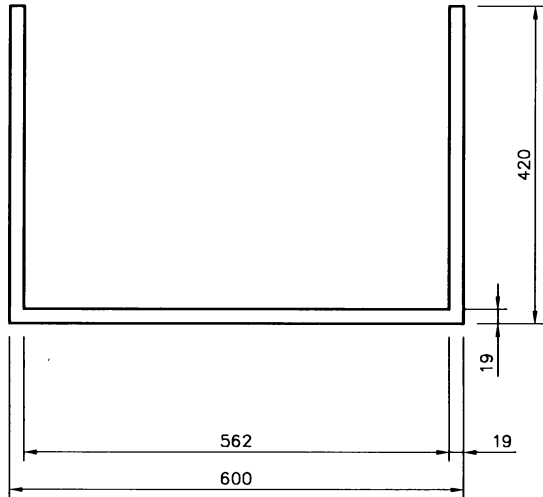
REVISIONS	
1	
2	
3	
DRAWN BY <u>RBY</u>	
DATE <u>NOVEMBER 16, 2004</u>	
CHECKED BY _____	
DATE _____	



City of Saskatoon
Infrastructure Services Department

TYPICAL CATCH BASIN CONVERSION
AT DRIVEWAY OR CROSSING

APPROVED	
	P. ENG.
GENERAL MANAGER	
	ENGINEER
ENGINEER	
SCALES : HOR. <u>1:50</u>	
PLAN NO. 102-0010-012r001	



OUTSIDE RISER

INSIDE RISER

AS PER SPECS

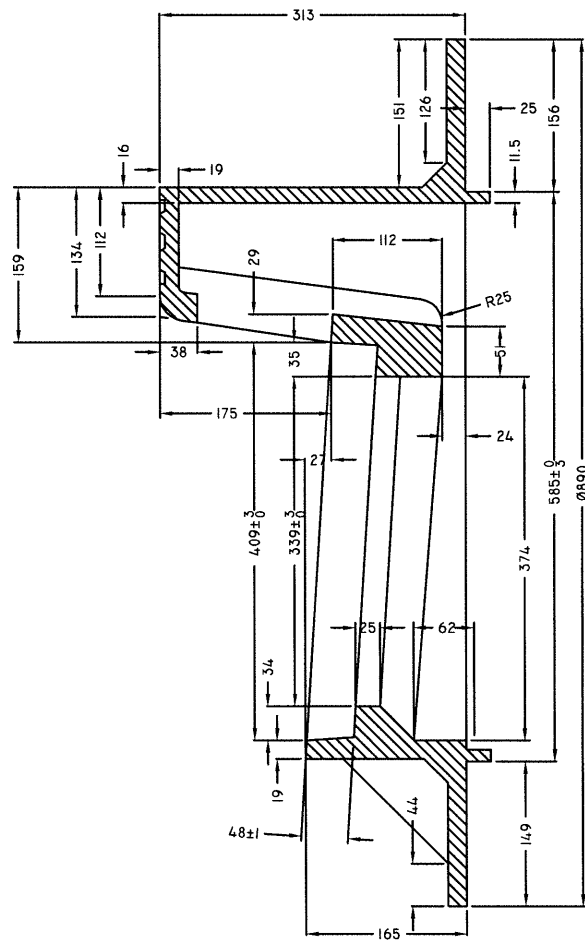
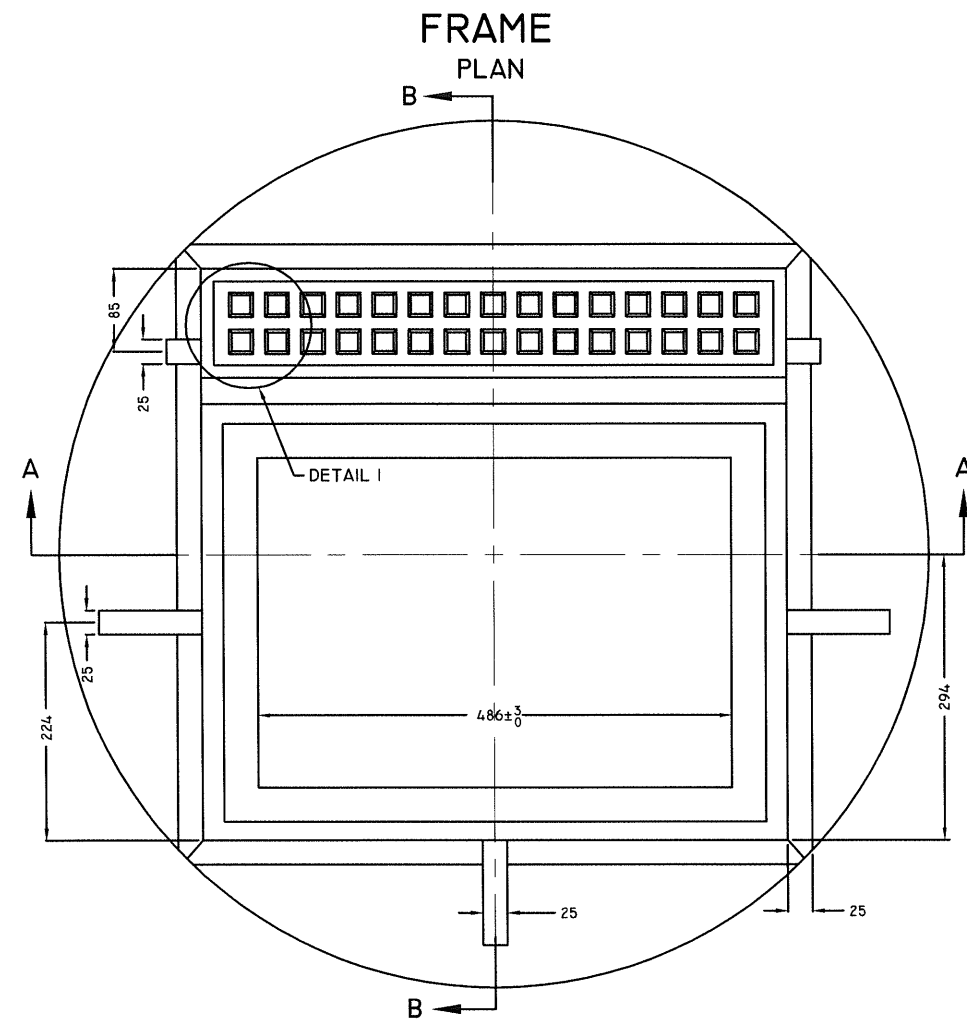
AS PER SPECS

NOTE:

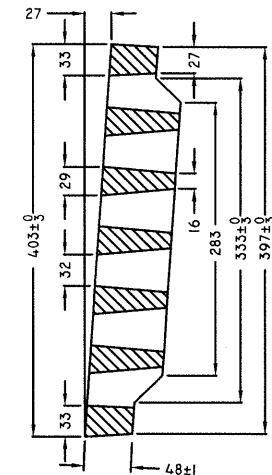
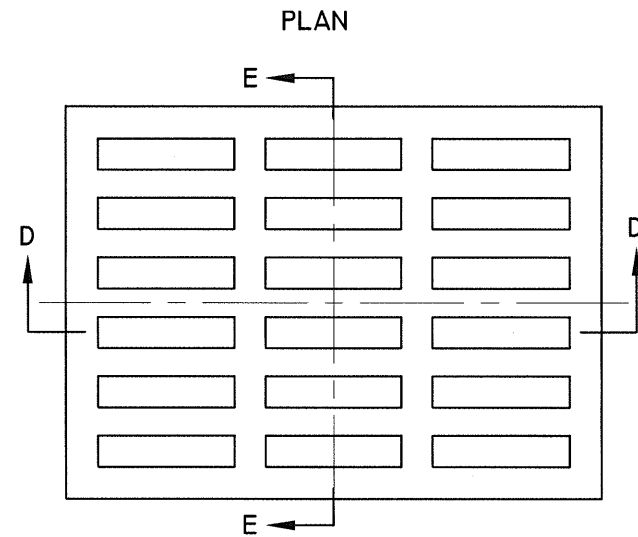
- RISERS TO CONFORM WITH DRAWING 102-0010-005: CATCH BASIN FRAME AND COVER, CURB INLET MODEL.
- RISERS TO BE MANUFACTURED WITH CSA G40.21-M GRADE 300W 19mm ($\frac{3}{4}$ ") PLATE STEEL
- FULL WELDED CORNERS, GROUNDED SMOOTH
- WELDS TO BE FREE OF VOIDS AND FLUX
- NO PAINTING REQUIRED

ALL DIMENSIONS IN MILLIMETRES UNLESS OTHERWISE NOTED

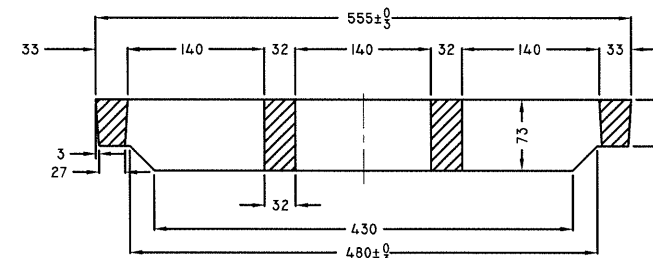
<p>REVISIONS</p> <table border="1"> <tr> <td>1</td> <td>CHANGED DIMENSIONS</td> </tr> <tr> <td>2</td> <td></td> </tr> <tr> <td>3</td> <td></td> </tr> </table>		1	CHANGED DIMENSIONS	2		3			<p>APPROVED</p> <p><i>[Signature]</i> P. ENG.</p> <p>GENERAL MANAGER</p> <p><i>[Signature]</i></p> <p>ENGINEER</p> <p><i>[Signature]</i> Jan 25/05</p> <p>ENGINEER</p>
1	CHANGED DIMENSIONS								
2									
3									
<p>DRAWN BY <u>CDC</u></p> <p>DATE <u>04-12-21</u></p> <p>CHECKED BY _____</p> <p>DATE _____</p>	<p>CURB INLET RISERS FOR CATCHBASIN FRAME AND COVER</p> <p>SCALES : HOR. 1:10</p> <p>PLAN NO. 102-0010-013r002</p>								



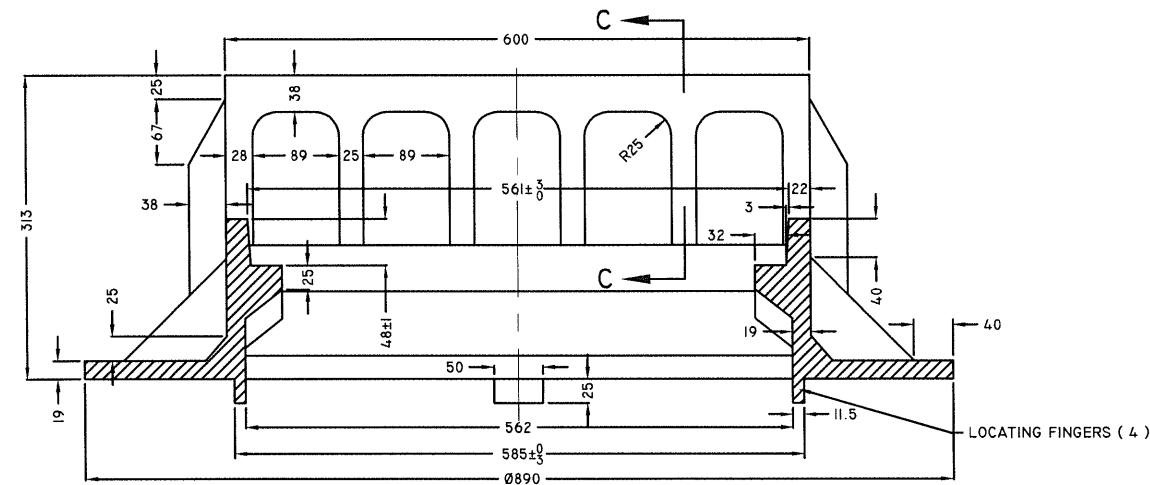
GRATED COVER



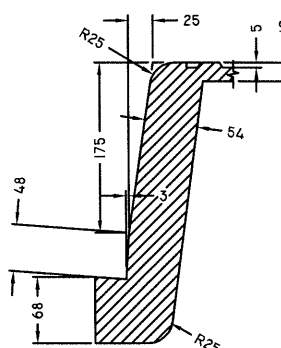
SECTION E-E



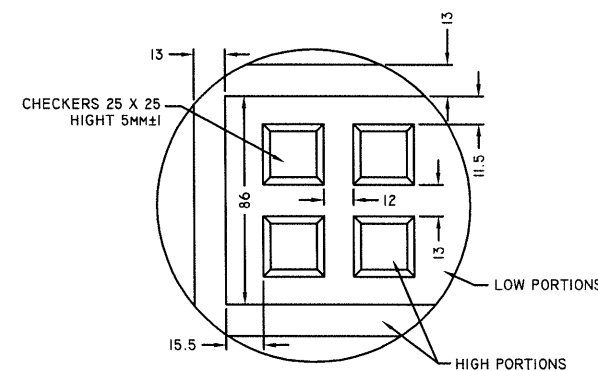
SECTION D-D



SECTION A-A



SECTION C-C



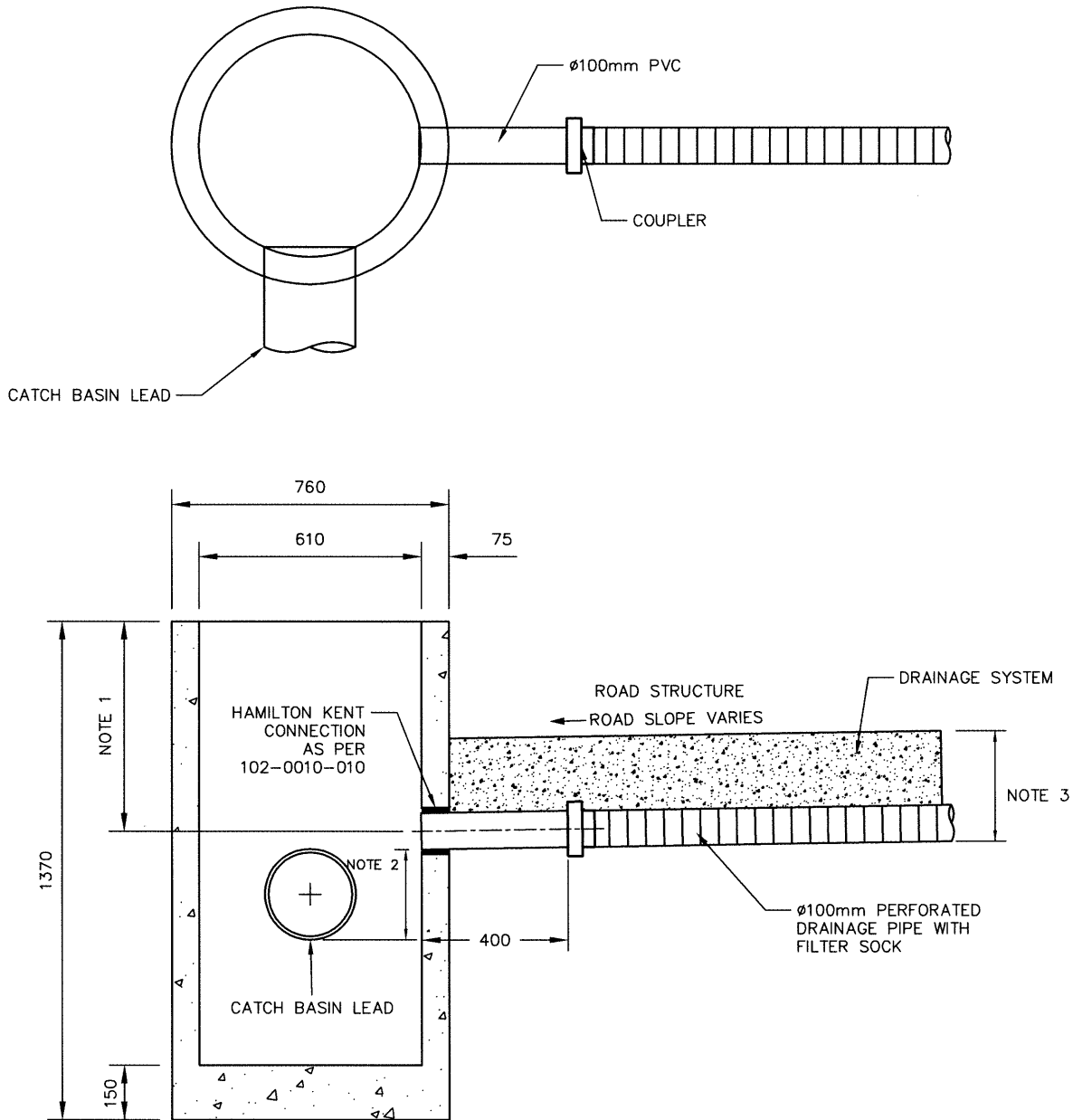
DETAIL I

SPECIFICATIONS

- (1) CASTINGS SHALL CONFORM TO ALL REQUIREMENTS OF A.S.T.M. DESIGNATION A48 CLASS 20B.
- (2) CASTINGS SHALL BE PRODUCED TO THE DIMENSIONS AND WITHIN +/-2MM TOLERANCES EXCEPT FOR DIMENSIONS LESS THAN 10MM.
- (3) CASTINGS SHALL BE MARKED WITH THE PROPER IDENTIFICATION MARKINGS WHICH WILL INCLUDE:
 - (A) MARKINGS AS REQUESTED AT TIME OF ORDER.
 - (B) FOUNDRY IDENTIFICATION MARKING, AND YEAR OF CASTING.
 - (C) THESE MARKINGS SHALL BE SO LOCATED IN SUCH A MANNER AND OF SUCH SIZE THAT THEY ARE EASILY IDENTIFIABLE AFTER INSTALLATION.
- (4) ALL CASTING WILL BE FREE OF DEFECTS, BE TRUE TO PATTERN AND BE FREE FROM CRACKS, GAS HOLES, FLAWS AND EXCESSIVE SPRINKAGE. SURFACES OF CASTING SHALL BE FREE FROM BURNT ON SAND AND SHALL BE REASONABLY SMOOTH.
- (5) CASTING SHALL NOT ROCK WHEN INSTALLED. THE MANUFACTURER SHALL TRIAL FIT THE CASTINGS AGAINST A STANDARD FRAME.


MEASUREMENTS IN MILLIMETERS

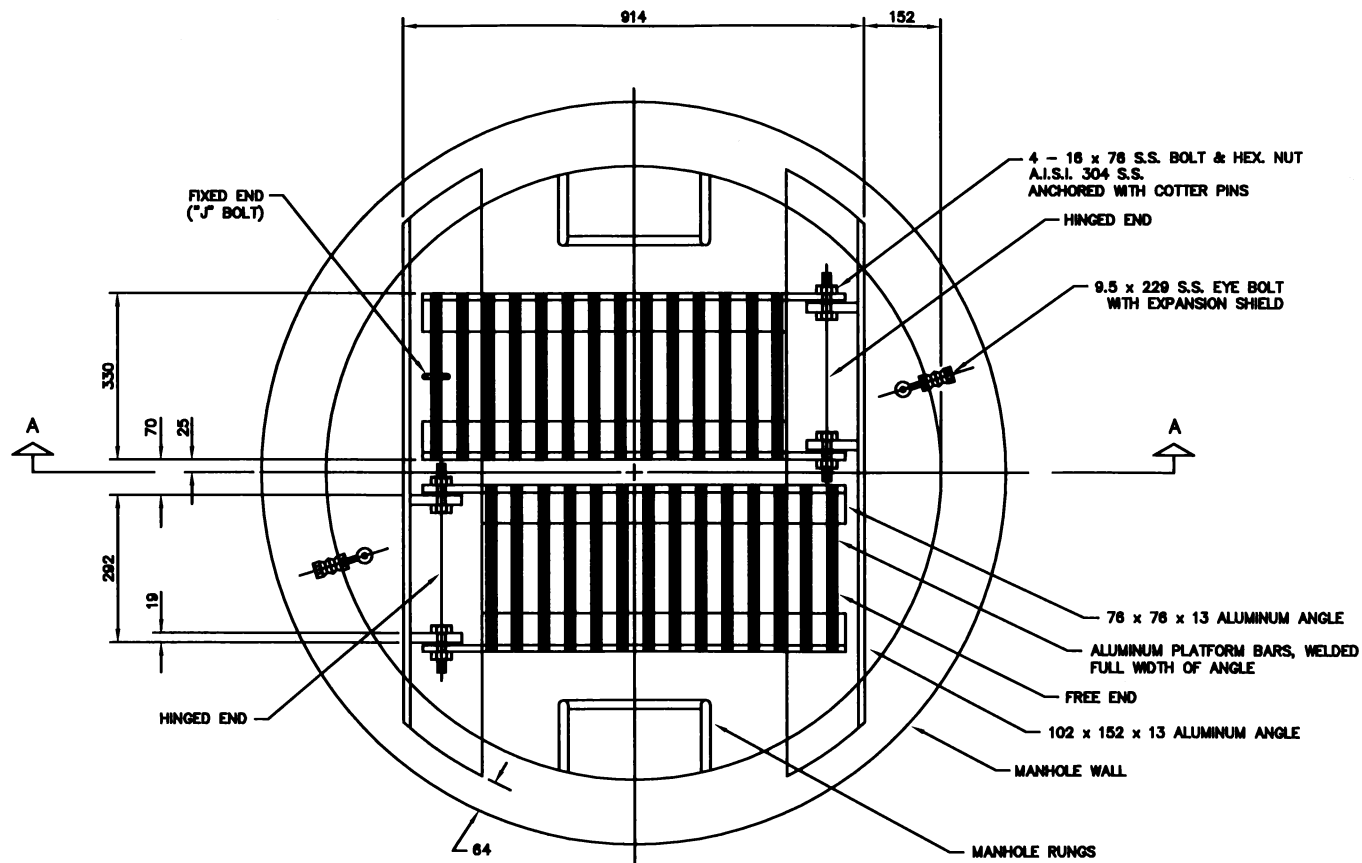
NO.	REVISIONS	DATE	BY	SCALE
11				
10				
9				
8				
7				
6				
5				
4				
3				
2	CORRECTION OF TWO INCORRECT DIMENSIONS	2017-JAN-25	HLO	NTS
1	BASE PLAN	2007-JAN-14	HLO	NTS



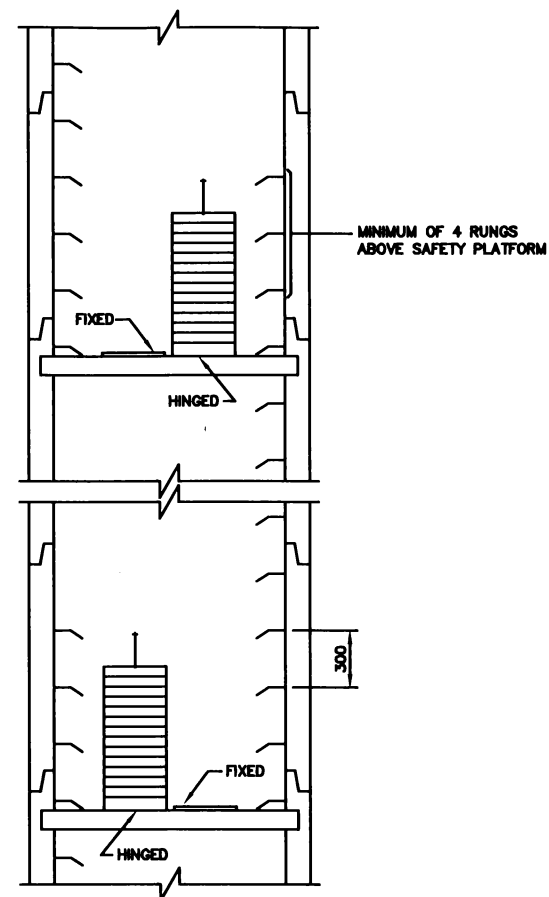
- NOTE:
- 1) HEIGHT VARIES – DEPENDENT ON PAVEMENT STRUCTURAL DESIGN
 - 2) THE INVERT FOR THE CATCH BASIN LEAD IS TO BE A MINIMUM 50mm LOWER THAN THE INVERT OF THE DRAINAGE LEAD
 - 3) EDGE DRAIN OR DRAINAGE LAYER AS PER 102-0029-045

ALL DIMENSIONS IN MILLIMETRES UNLESS OTHERWISE NOTED

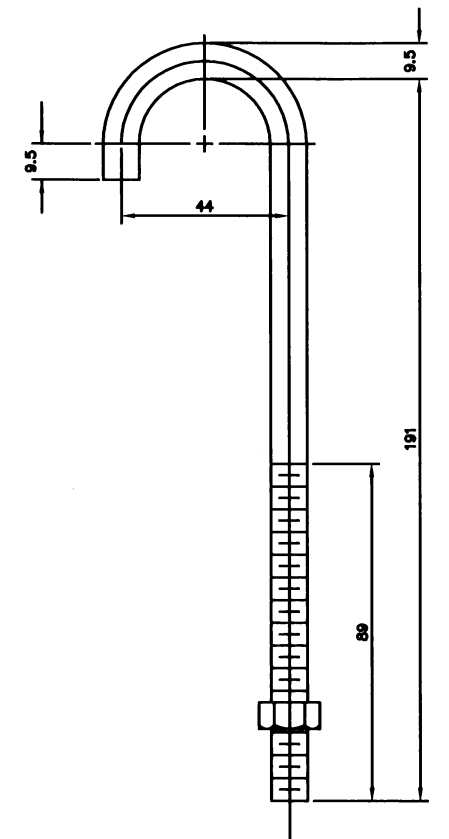
PLAN DESCRIPTION/REVISIONS		 City of Saskatoon Transportation & Utilities Department	 CHIEF ENGINEER DATE JAN 08 2016
4			 ENGINEER DATE JAN 08 2016
3		ROADWAY SUBDRAINAGE PIPE CONNECTION TO CATCH BASIN	PLAN NO. 102-0010-015r002
2			
1	DRAINAGE PIPE MOVED TO LOWEST POINT IN ROAD STRUCTURE 2015-DEC-01 HLO		
DRAWN BY <u>DJC</u> DATE <u>2014-DEC-09</u>			
SCALE : HOR. <u>N.T.S.</u> VERT. <u>N.T.S.</u>			



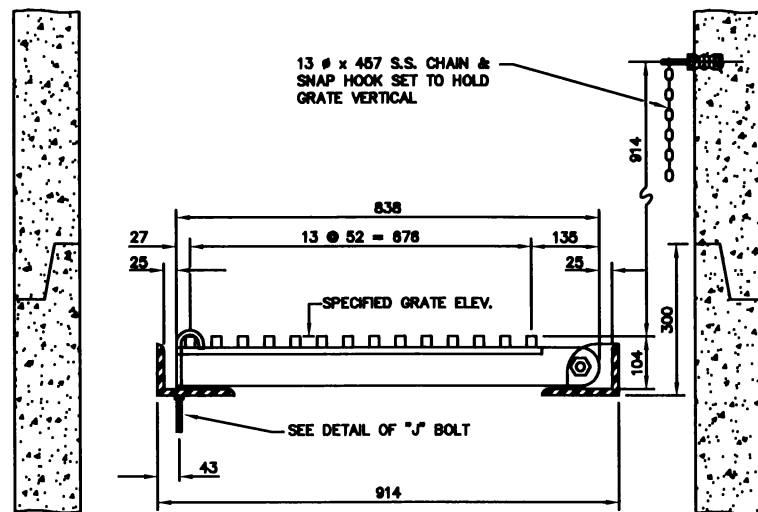
PLAN
1: 15



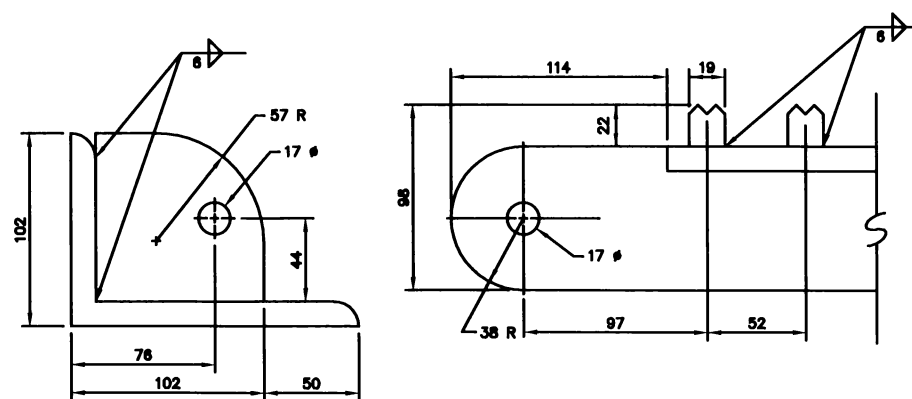
ELEVATION
1: 40



DETAIL OF "J" BOLT
1: 2



SECTION A-A
1: 15



ENLARGED VIEW OF HINGE
1: 4

NOTE:

1. ALUMINUM TO BE OF APPROVED ALLOY.
2. AT ALL POINTS WHERE ALUMINUM AND CONCRETE COME IN CONTACT (ENDS OF BASE ANGLES), ALUMINUM SURFACES TO BE COATED WITH 2 COATS OF STATIC ASPHALT PAINT.
3. ALL 102 x 152 x 13 ALUMINUM ANGLE SUPPORTS TO BE INSTALLED DURING PRECASTING OF MANHOLE SECTION.
4. "S.S." DENOTES STAINLESS STEEL.
5. SAFETY PLATFORMS MEETING CITY OF SASKATOON STANDARD SPECIFICATIONS SHALL BE INSTALLED IN ALL MANHOLES WITH DEPTHS GREATER THAN 6.0 METRES IN SUCH A MANNER SO THAT NO VERTICAL FALL DISTANCE EXCEEDS 5.0 METRES OR IS LESS THAN 2.4 METRES.
6. SAFETY PLATFORMS WHERE POSSIBLE SHALL BE PLACED ABOVE INLETS IN SANITARY SEWER MANHOLES.

ALL DIMENSIONS IN MILLIMETRES UNLESS OTHERWISE NOTED

11	DESIGNED				
10	AS BUILT				
9	APPROVED FOR CONSTRUCTION				
8	FOR TENDER				
7	FOR APPROVAL				
6	PRELIMINARY				
5					
4	REVISIONS				
	OWNER'S NAME				
	PROJECT NAME				
	DATE PLAN	09-18-18	1	REVISED & REFORMATTED FROM 0810-09	07-01-20 H.L.O.
					09-01-18 M.J.
	DESCRIPTION	DATE	NO.	REVISIONS	DATE BY

	WATER & SEWER	ROADWAYS
	<i>A. Boyle</i>	
	<i>M. C. H.</i>	
	DRAWN BY	DRAWN BY
	DATE	DATE
	CHECKED BY	CHECKED BY
	DATE	DATE

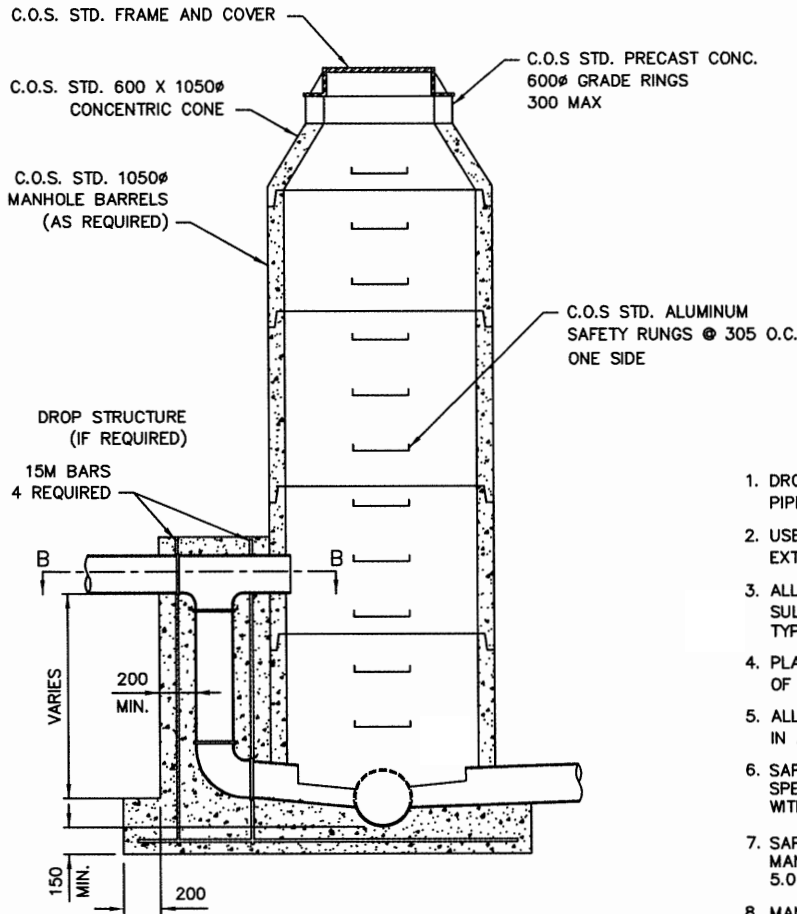
PUBLIC WORKS

City of Saskatoon

MANHOLE SAFETY PLATFORM

102-0011-001r002

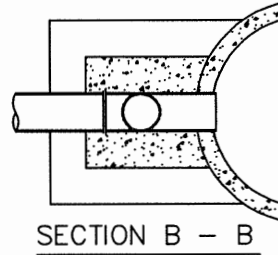
DATE	DATE
NO. AS NOTED	SHEET NO.
DATE	DATE
DATE	DATE
DATE	DATE



SECTION THROUGH MANHOLE

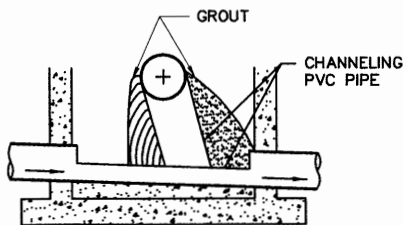
1050mm MANHOLE BARRELS AND CONCENTRIC CONE TO BE USED EXCLUSIVELY FOR REHABILITATION WORK ON EXISTING 1050mm MANHOLE BASES.

FOR NEW INSTALLATIONS AND RECONSTRUCTION SEE COS STANDARD SPECIFICATIONS

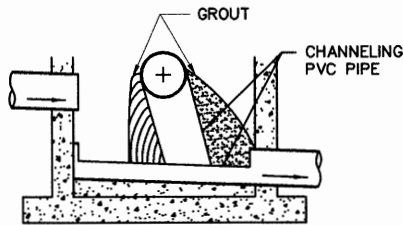


1. DROP MANHOLE REQUIRED WHEN CROWN OF INLET PIPE IS 0.75 m OR MORE ABOVE CROWN OF OUTLET PIPE.
2. USE 4 - 15M BARS PLACED AS SHOWN WHEN EXTERIOR DROP SECTION IS 1.5 m OR MORE.
3. ALL CAST IN PLACE CONCRETE TO BE 35 MPa SULPHATE RESISTANT. ALL GROUT TO BE NON-SHRINK, TYPE HS SULPHATE RESISTANT, CEMENTITIOUS GROUT.
4. PLACE 10M BARS AT 200 O.C. EACH WAY IN BASE OF MANHOLES OVER 4.5 m DEEP.
5. ALL PRECAST CONCRETE SECTIONS SHALL BE MANUFACTURED IN ACCORDANCE WITH ASTM SPECIFICATION C478.
6. SAFETY PLATFORMS AS PER CITY OF SASKATOON STANDARD SPECIFICATIONS SHALL BE INSTALLED IN ALL MANHOLES WITH DEPTHS GREATER THAN 6.0 METERS.
7. SAFETY PLATFORMS SHALL BE INSTALLED IN SUCH A MANNER SO THAT NO VERTICAL FALL DISTANCE EXCEEDS 5.0 METERS OR IS LESS THAN 2.4 METERS.
8. MANHOLE RUNGS SHALL BE ORIENTED SUCH THAT THEY DO NOT INTERFERE WITH THE INCOMING PIPE.
9. PVC CHANNELING SHALL BE SEAMLESS FOR STRAIGHT THROUGH BASES.
10. PIPE TO MANHOLE CONNECTIONS SHALL BE WATERTIGHT.

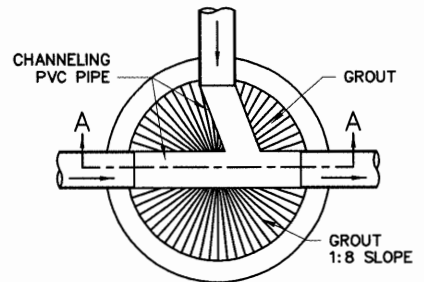
CHANNELIZATION DETAILS FOR INTERIOR DROP OF LESS THAN 0.75 m



SECTION A - A



SECTION A - A



PLAN VIEW

ALL DIMENSIONS IN MILLIMETRES UNLESS OTHERWISE NOTED

PLAN DESCRIPTION/REVISIONS	
8	REMOVE GROUT AROUND PIPES AT MANHOLE BASE REVISE NOTE 3 ADD NOTE 10 2017-JAN-25 HLO
7	ADD GROUT AROUND PIPES AT MANHOLE BASE & ADD NOTES 8, 9 2015-NOV-26 HLO
6	NOTE 3 -35MPa CONC., NOTES 6 & 7 MJ 2014-DEC-12
5	2012-01-05 HLO
DRAWN BY JLL	
DATE 96-03-05	
SCALE : HOR. 1:40 VERT. _____	

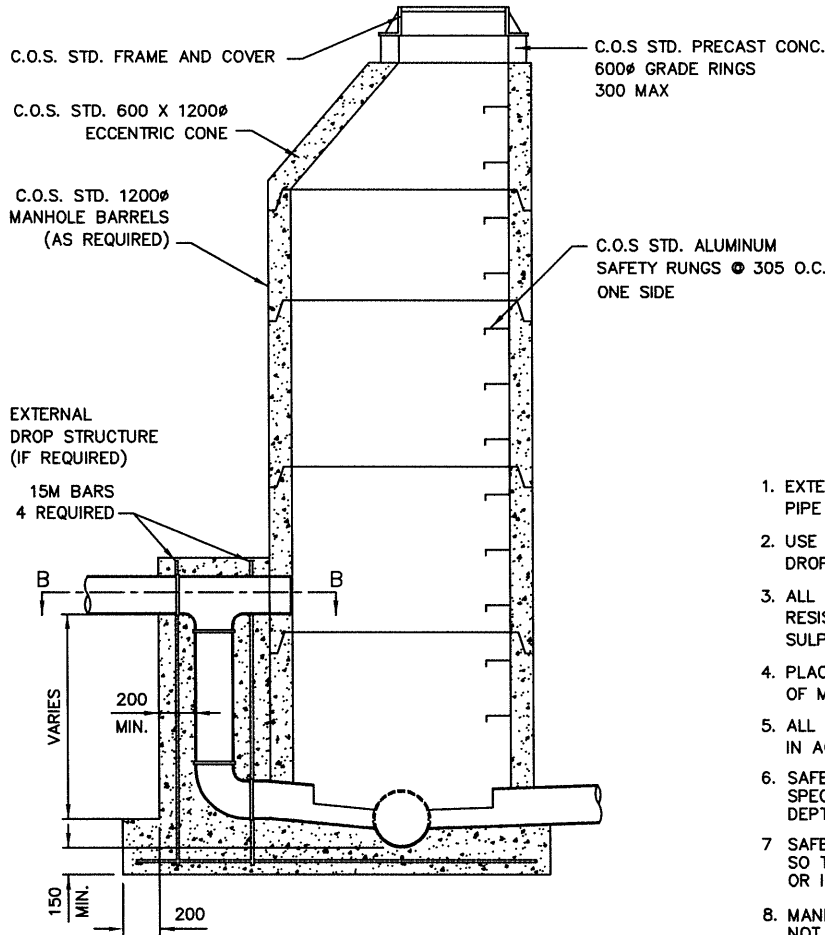


City of Saskatoon

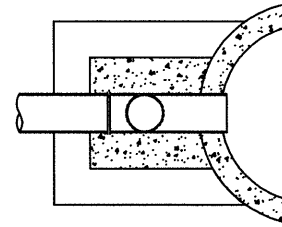
Transportation & Utilities Department

STANDARD 1050mm MANHOLE FOR 200mm to 525mm SANITARY SEWERS FOR REHABILITATION WORK ONLY

CHIEF ENGINEER	JAN 30 2017
	DATE
ENGINEER	JAN 30 2017
	DATE
PLAN NO.	102-0011-004r007



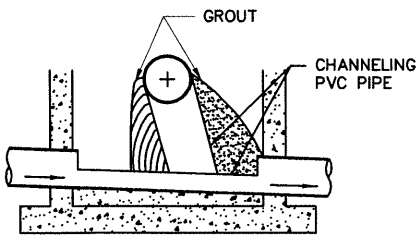
SECTION THROUGH MANHOLE



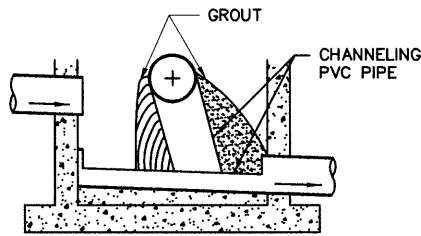
SECTION B - B

1. EXTERNAL DROP STRUCTURE REQUIRED WHEN CROWN OF INLET PIPE IS 0.75m OR MORE ABOVE CROWN OF OUTLET PIPE.
2. USE 4 - 15M BARS PLACED AS SHOWN WHEN EXTERIOR DROP SECTION IS 1.5m OR MORE.
3. ALL CAST IN PLACE CONCRETE TO BE 35 MP_a SULPHATE RESISTANT. ALL GROUT TO BE NON-SHRINK, TYPE HS SULPHATE RESISTANT, CEMENTITIOUS GROUT.
4. PLACE 10M BARS AT 200mm O.C. EACH WAY IN BASE OF MANHOLES OVER 4.5m DEEP.
5. ALL PRECAST CONCRETE SECTIONS SHALL BE MANUFACTURED IN ACCORDANCE WITH ASTM SPECIFICATION C478.
6. SAFETY PLATFORMS AS PER CITY OF SASKATOON STANDARD SPECIFICATIONS SHALL BE INSTALLED IN ALL MANHOLES WITH DEPTHS GREATER THAN 6.0 METERS.
7. SAFETY PLATFORMS SHALL BE INSTALLED IN SUCH A MANNER SO THAT NO VERTICAL FALL DISTANCE EXCEEDS 5.0 METERS OR IS LESS THAN 2.4 METERS.
8. MANHOLE RUNGS SHALL BE ORIENTED SUCH THAT THEY DO NOT INTERFERE WITH THE INCOMING PIPE.
9. PVC CHANNELING SHALL BE SEAMLESS FOR STRAIGHT THROUGH BASES.
10. PIPE TO MANHOLE CONNECTIONS SHALL BE WATERTIGHT.

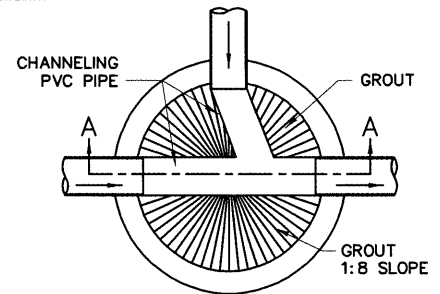
CHANNELIZATION DETAILS FOR INTERIOR DROP OF LESS THAN 0.75M



SECTION A - A



SECTION A - A



PLAN VIEW

ALL DIMENSIONS IN MILLIMETRES UNLESS OTHERWISE NOTED

PLAN DESCRIPTION/REVISIONS	
8	REMOVE GROUT AROUND PIPES AT MANHOLE BASE REVISE NOTE 3 ADD NOTE 10 2017-JAN-25 HLO
7	ADD GROUT AROUND PIPES AT MANHOLE BASE & ADD NOTES 8, 9 2015-NOV-26 HLO
6	NOTES 3 - 35MP _a CONC., 6, 7 & 8 MJ 2014-DEC-12
5	HLO 2012-01-05
DRAWN BY JLL	
DATE 96-03-05	
SCALE : HOR. 1:40 VERT. _____	

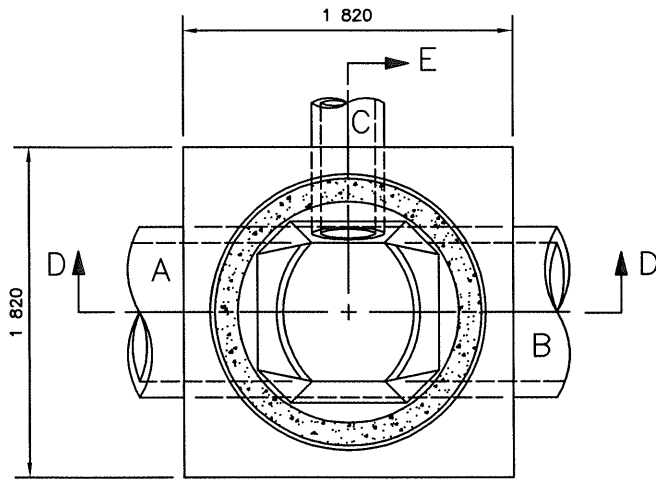


City of Saskatoon

Transportation & Utilities Department

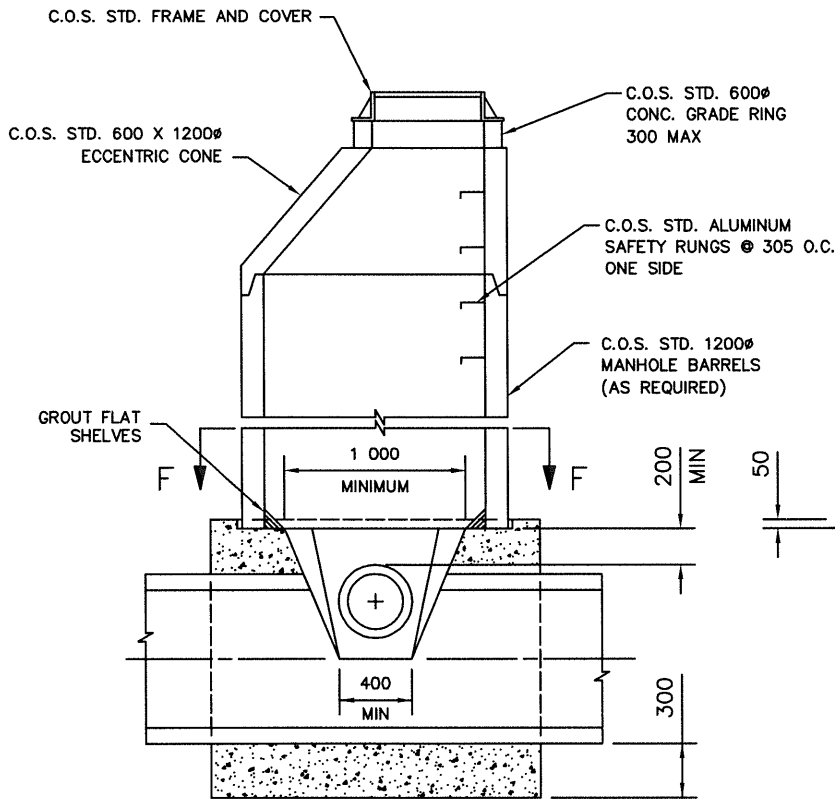
STANDARD 1200mm MANHOLE FOR
200mm TO 600mm SANITARY SEWERS
WITH DROP STRUCTURE

<i>Fa W...</i>	
CHIEF ENGINEER	JAN 30 2017
	DATE
<i>[Signature]</i>	
ENGINEER	JAN 30 2017
	DATE
PLAN NO.	102-0011-005r009



SECTION F-F

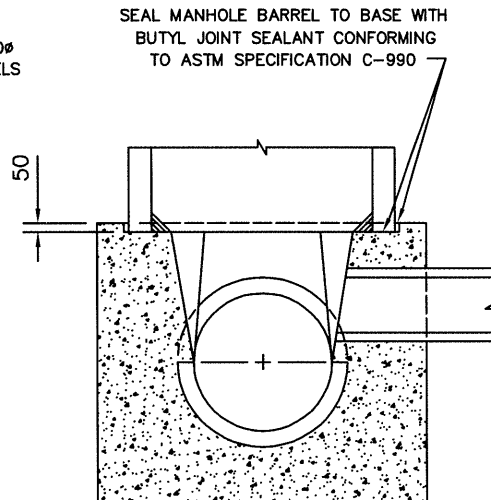
1. ALL POURED IN PLACE CONCRETE TO BE 35 MPa SULPHATE RESISTANT. ALL GROUT TO BE NON-SHRINK, TYPE HS SULPHATE RESISTANT, CEMENTITIOUS GROUT.
2. EXTERIOR DROP REQUIRED FOR SANITARY SEWERS WHEN CROWN OF INLET PIPE IS 0.75m OR MORE ABOVE CROWN OF OUTLET PIPE.
3. ALL PRECAST CONCRETE SECTIONS SHALL BE MANUFACTURED IN ACCORDANCE WITH A.S.T.M. SPECIFICATION C-478.
4. ALL WALLS SHALL BE FORMED INSIDE AND OUTSIDE, AND POURED IN PLACE.
5. SAFETY PLATFORMS AS PER CITY OF SASKATOON STANDARD SPECIFICATIONS SHALL BE INSTALLED IN ALL MANHOLES WITH DEPTHS GREATER THAN 6.0 METERS.
6. SAFETY PLATFORMS SHALL BE INSTALLED IN SUCH A MANNER SO THAT NO VERTICAL FALL DISTANCE EXCEEDS 5.0 METERS OR IS LESS THAN 2.4 METERS.
7. PVC CHANNELING SHALL BE SEAMLESS FOR STRAIGHT THROUGH BASES.
8. PIPE TO MANHOLE CONNECTIONS SHALL BE WATERTIGHT.



SECTION D-D

A	B (Max.)	C (Max.)
675	675	600
750	750	525
900	900	300

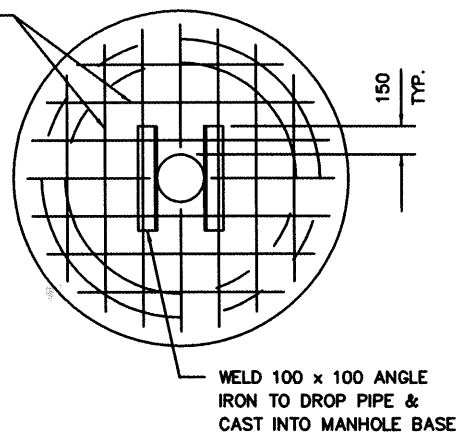
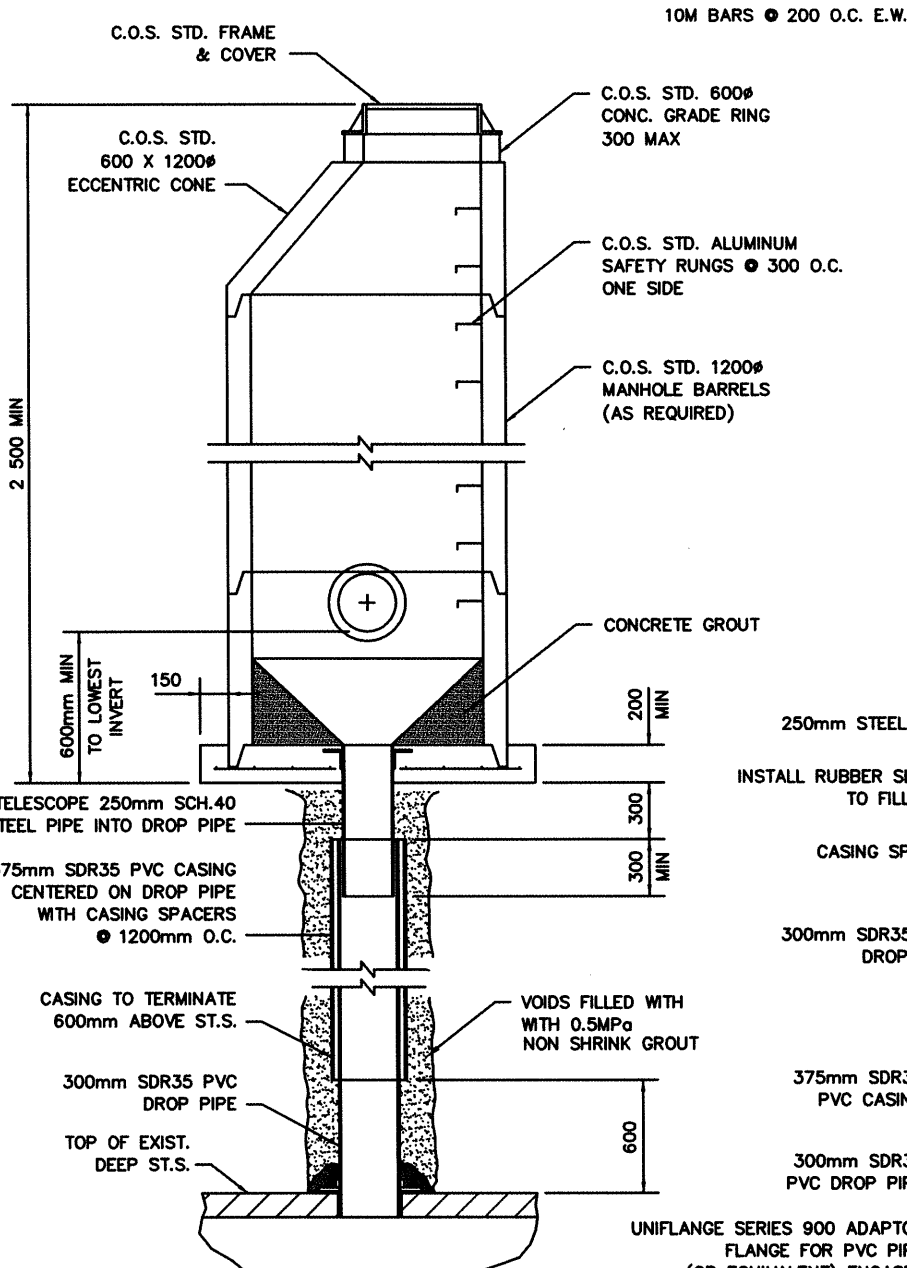
NOTE: IF C > C (Max.) IN TABLE THEN SPECIAL DESIGN IS REQUIRED.



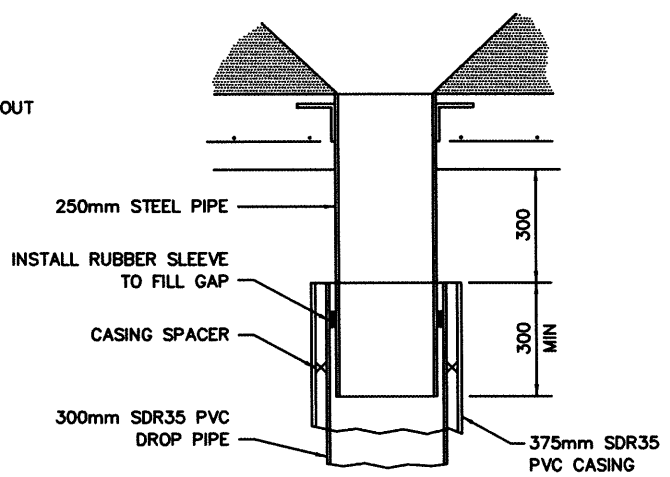
SECTION E-E

ALL DIMENSIONS IN MILLIMETRES UNLESS OTHERWISE NOTED

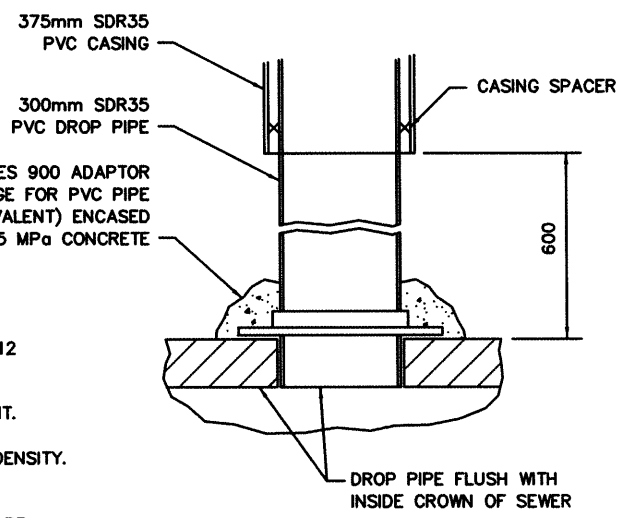
<p>PLAN DESCRIPTION/REVISIONS</p> <table border="1" style="width: 100%; border-collapse: collapse;"> <tr> <td style="width: 5%;">7</td> <td>SEAL BARREL TO BASE WITH BUTYL SEALANT REVISE NOTE 1 ADD NOTE 8 2017-JAN-25 HLO</td> </tr> <tr> <td>6</td> <td>ADD GROUT AROUND MANHOLE BASE & ADD NOTE 7 2015-NOV-26 HLO</td> </tr> <tr> <td>5</td> <td>NOTES 1 -35MPa CONC., 5 & 6 MJ 2014-DEC-12</td> </tr> <tr> <td>4</td> <td>HLO 2012-01-05</td> </tr> </table> <p>DRAWN BY LCI DATE 96-03-05</p> <p>SCALE : HOR. 1:40 VERT. _____</p>	7	SEAL BARREL TO BASE WITH BUTYL SEALANT REVISE NOTE 1 ADD NOTE 8 2017-JAN-25 HLO	6	ADD GROUT AROUND MANHOLE BASE & ADD NOTE 7 2015-NOV-26 HLO	5	NOTES 1 -35MPa CONC., 5 & 6 MJ 2014-DEC-12	4	HLO 2012-01-05	<p>City of Saskatoon Transportation & Utilities Department</p>	<p style="text-align: right;"><i>[Signature]</i> CHIEF ENGINEER</p> <p style="text-align: right;">DATE JAN 30 2017</p> <hr/> <p style="text-align: right;"><i>[Signature]</i> ENGINEER</p> <p style="text-align: right;">DATE JAN 30 2017</p> <p style="text-align: right;">PLAN NO. 102-0011-006r008</p>
7	SEAL BARREL TO BASE WITH BUTYL SEALANT REVISE NOTE 1 ADD NOTE 8 2017-JAN-25 HLO									
6	ADD GROUT AROUND MANHOLE BASE & ADD NOTE 7 2015-NOV-26 HLO									
5	NOTES 1 -35MPa CONC., 5 & 6 MJ 2014-DEC-12									
4	HLO 2012-01-05									
<p>STANDARD 1200mm MANHOLE FOR 675mm TO 900mm SEWERS</p>										



MANHOLE BASE REINFORCING



TELESCOPING SECTION



CONNECTION AT S.T.S. TRUNK

GENERAL NOTES:

1. ALL REINFORCING STEEL DETAILS SHALL BE IN ACCORDANCE WITH A.C.I. STD. 315.65 UNLESS OTHERWISE NOTED.
2. ALL REINFORCING STEEL UNLESS OTHERWISE NOTED SHALL BE DEFORMED BARS OF INTERMEDIATE GRADE NEW BILLET STEEL CONFORMING TO CURRENT C.S.A. STD. G30.12
3. CONCRETE COVER FOR REINFORCING STEEL UNLESS OTHERWISE NOTED SHALL BE 75mm CLEAR COVER FOR FORMED CONCRETE EXPOSED TO EARTH.
4. ALL POURED IN PLACE CONCRETE TO BE 35 MPa (IN 28 DAYS) SULPHATE RESISTANT.
5. ALL PRECAST CONCRETE SECTIONS SHALL BE A.S.T.M. SPECIFICATION C-478.
6. MINIMUM COMPACTION OF TRENCH BACKFILL SHALL BE 98% OF MAXIMUM PROCTOR DENSITY.
7. DROP PIPE SECTION TO BE AUGERED.
8. IF MANHOLE BARRELS AUGERED, NON-SHRINKABLE BACKFILL TO BE USED.
9. SAFETY PLATFORMS AS PER CITY OF SASKATOON STANDARD SPECIFICATIONS SHALL BE INSTALLED IN ALL MANHOLES WITH DEPTHS GREATER THAN 6.0 METERS.
10. SAFETY PLATFORMS SHALL BE INSTALLED IN SUCH A MANNER SO THAT NO VERTICAL FALL DISTANCE EXCEEDS 5.0 METERS OR IS LESS THAN 2.4 METERS.

ALL DIMENSIONS IN MILLIMETRES UNLESS OTHERWISE NOTED

PLAN DESCRIPTION/REVISIONS	
6	
5	
4	NOTE 4 - 35MPa CONC., NOTES 9 & 10 MJ 2014-DEC-12
3	CORRECTED 95% TO 98% DENSITY HLD 2013-DEC-11
DRAWN BY MJ	
DATE 99-10-29	
SCALE: HOR. 1:40 VERT. _____	

City of Saskatoon
Transportation & Utilities Department

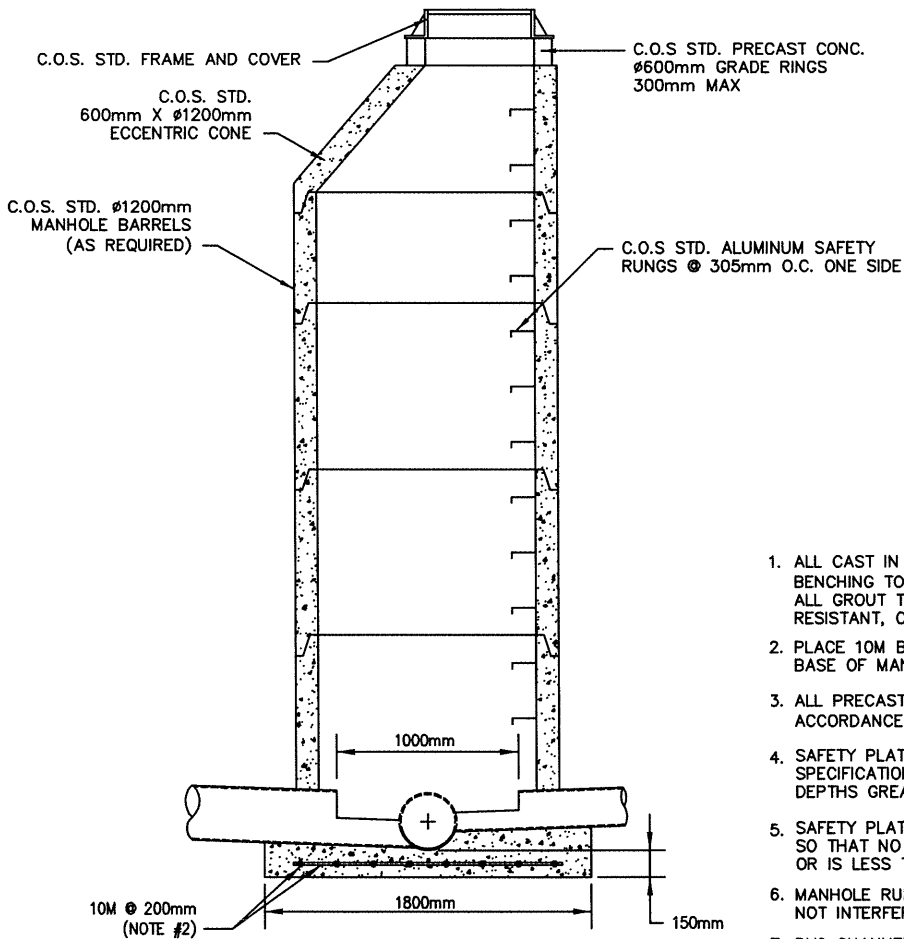
**DROP STRUCTURE MANHOLE
FOR CONNECTION TO
TRUNK STORM SEWERS**

APPROVED

[Signature]
ENGINEER

[Signature]
ENGINEER

PLAN NO. 102-0011-008r004

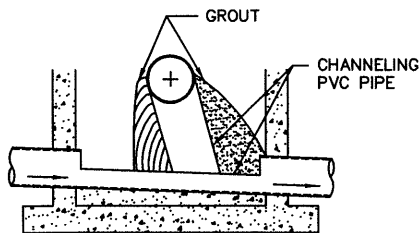


SECTION THROUGH MANHOLE

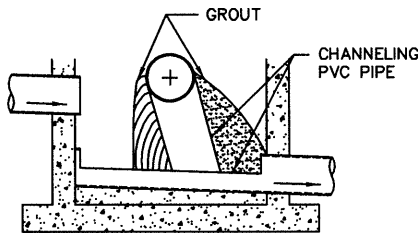
GENERAL NOTES

1. ALL CAST IN PLACE CONCRETE INCLUDING CHANELLING AND BENCHING TO BE 35 MPa (IN 28 DAYS) SULPHATE RESISTANT. ALL GROUT TO BE NON-SHRINK, TYPE HS SULPHATE RESISTANT, CEMENTITIOUS GROUT.
2. PLACE 10M BARS AT 200mm O.C. EACH WAY IN BASE OF MANHOLES OVER 4.5m DEEP.
3. ALL PRECAST CONCRETE SECTIONS SHALL BE MANUFACTURED IN ACCORDANCE WITH ASTM SPECIFICATION C478/C.O.S. SPEC'S.
4. SAFETY PLATFORMS MEETING CITY OF SASKATOON STANDARD SPECIFICATIONS SHALL BE INSTALLED IN ALL MANHOLES WITH DEPTHS GREATER THAN 6.0 METERS.
5. SAFETY PLATFORMS SHALL BE INSTALLED IN SUCH A MANNER SO THAT NO VERTICAL FALL DISTANCE EXCEEDS 5.0 METERS OR IS LESS THAN 2.4 METERS.
6. MANHOLE RUNGS SHALL BE ORIENTED SUCH THAT THEY DO NOT INTERFERE WITH THE INCOMING PIPE.
7. PVC CHANNELING REQUIRED FOR SANITARY SEWERS, GROUT CHANNELING IS ALLOWABLE FOR STORM SEWERS. PVC CHANNELING SHALL BE SEAMLESS FOR STRAIGHT THROUGH BASES.
8. PIPE TO MANHOLE CONNECTIONS SHALL BE WATERTIGHT.

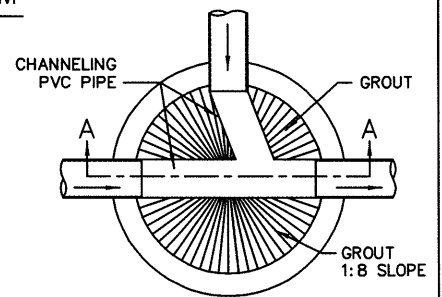
CHANNELIZATION DETAILS FOR INTERIOR DROP OF LESS THAN 0.75M



SECTION A - A



SECTION A - A



PLAN VIEW

ALL DIMENSIONS IN MILLIMETRES UNLESS OTHERWISE NOTED

PLAN DESCRIPTION/REVISIONS	
4	REMOVE GROUT AROUND PIPES AT MANHOLE BASE REVISE NOTES 1,3 ADD NOTE 8 2017-JAN-25 HLO
3	ADD GROUT AROUND PIPES AT MANHOLE BASE & REVISE NOTES 6, 7 2015-NOV-26 HLO
2	REVISE NOTES 1, 4, 5, 6, 7 MJ 2014-DEC-12
1	2012-01-05 HLO
DRAWN BY <u>MLB</u>	
DATE <u>09-02-20</u>	
SCALE : HOR. <u>1:40</u> VERT. _____	



City of Saskatoon
Transportation & Utilities Department

STANDARD 1200mm MANHOLE
FOR 200mm TO 600mm SEWERS

<i>[Signature]</i> CHIEF ENGINEER	JAN 30 2017 DATE
<i>[Signature]</i> ENGINEER	JAN 30 2017 DATE
PLAN NO.	102-0011-009r005

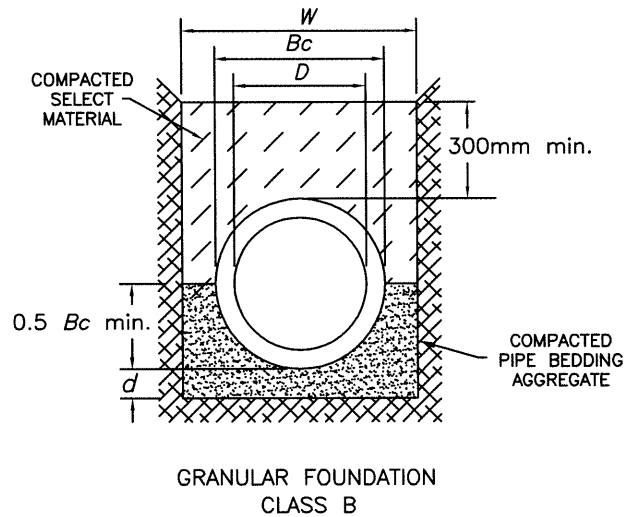
NOTES:

1. ALL CONCRETE TO BE MADE WITH TYPE HS/HSB SULPHATE RESISTANT CEMENT.
2. BEDDING AGGREGATE TO CONFORM TO GRADATION IN SECTION 03001-3.2.7 OF SPECIFICATIONS.
3. SELECT BACKFILL TO BE FREE OF ALL LUMPS, STONES AND SUBSTANCE WHICH COULD REACT CHEMICALLY WITH PIPE MATERIAL.
4. PNEUMATIC OR MECHANICAL EQUIPMENT SHALL BE USED TO COMPACT THE BEDDING MATERIAL AND THE SELECT BACKFILL MATERIAL TO 98% OF ITS STANDARD PROCTOR DENSITY (PLACED IN 150mm LAYERS).
5. COMPACT SELECT MATERIAL MUST BE CLASS 4 OR BETTER AS CHARACTERIZED IN ASTM D2321.
6. UNSUPPORTED STRAIGHT WALL TRENCH USED ONLY FOR UNDISTURBED SOIL. DISTURBED SOIL TRENCHES MUST BE 1:1 SIDEWALL SLOPE FROM BOTTOM OF TRENCH. IN EITHER CASE, COMPACTED PIPE AGGREGATE MUST BE INSTALLED TO TRENCH WALL.

NOMINAL PIPE SIZE	W (min.)
150mm – 600mm	$B_c + 450\text{mm}$
675mm & larger	$1.25 B_c + 300\text{mm}$

DEPTH OF BEDDING MATERIAL BELOW PIPE (d)

D	d (MIN)
$\leq 1500\text{mm}$	100mm
1650mm & larger	150mm



REVISIONS	
1	
2	
3	
4	

DRAWN BY	JEL
DATE	2017-JAN-25
SCALE: HOR.	NTS
VER.	NTS



City of Saskatoon
Transportation & Utilities Department

CIRCULAR PVC PIPE BEDDINGS

[Signature]
CHIEF ENGINEER
DATE JAN 30 2017

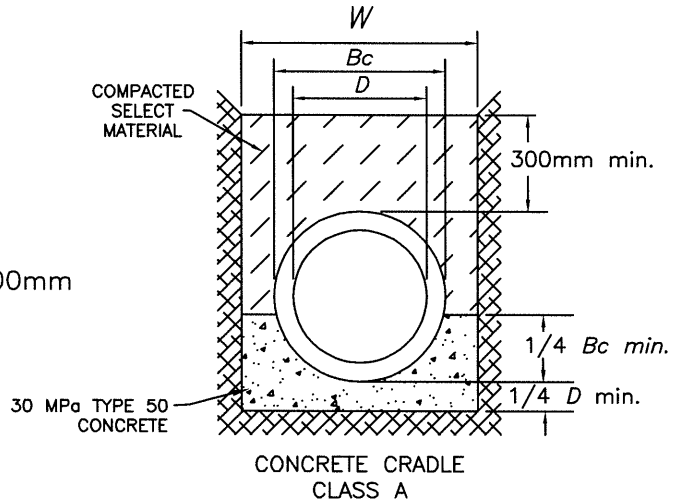
[Signature]
ENGINEER
DATE JAN 30 2017

PLAN NO. 102-0011-010r001

NOTES:

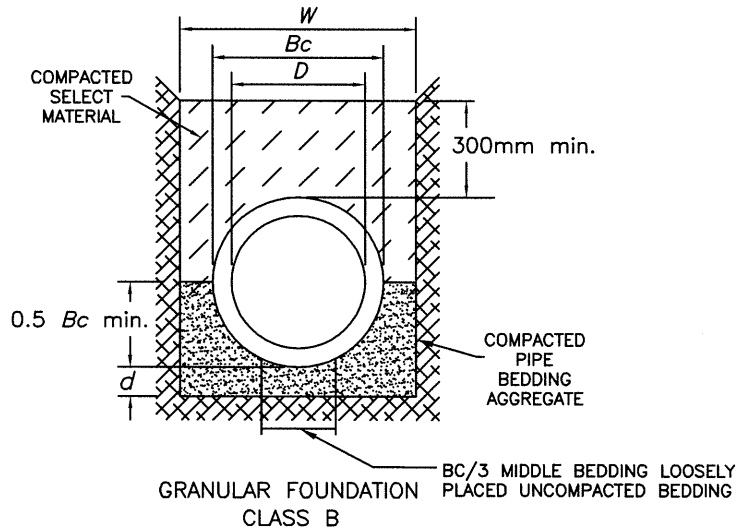
1. ALL CONCRETE TO BE MADE WITH TYPE HS/HSB SULPHATE RESISTANT CEMENT.
2. BEDDING AGGREGATE TO CONFORM TO GRADATION IN SECTION 03001-3.2.7 OF SPECIFICATIONS.
3. SELECT BACKFILL TO BE FREE OF ALL LUMPS, STONES AND SUBSTANCE WHICH COULD REACT CHEMICALLY WITH PIPE MATERIAL.
4. PNEUMATIC OR MECHANICAL EQUIPMENT SHALL BE USED TO COMPACT THE BEDDING MATERIAL AND THE SELECT BACKFILL MATERIAL TO 98% OF ITS STANDARD PROCTOR DENSITY (PLACED IN 150mm LAYERS).
5. COMPACT SELECT MATERIAL MUST BE CLASS 4 OR BETTER AS CHARACTERIZED IN ASTM D2321.
6. UNSUPPORTED STRAIGHT WALL TRENCH USED ONLY FOR UNDISTURBED SOIL. DISTURBED SOIL TRENCHES MUST BE 1:1 SIDEWALL SLOPE FROM BOTTOM OF TRENCH. IN EITHER CASE COMPACTED PIPE AGGREGATE MUST BE INSTALLED TO TRENCH WALL.

NOMINAL PIPE SIZE	W (min.)
200mm – 600mm	$B_c + 450\text{mm}$
675mm & larger	$1.25 B_c + 300\text{mm}$



DEPTH OF BEDDING MATERIAL
BELOW PIPE (d)

D	d (MIN)
675mm & smaller	75mm
750mm to 1500mm	100mm
1650mm & larger	150mm



REVISIONS	
1	
2	
3	
4	
DRAWN BY <u>JEL</u>	
DATE <u>2017-JAN-25</u>	
SCALE: HOR. <u>NTS</u> VER. <u>NTS</u>	



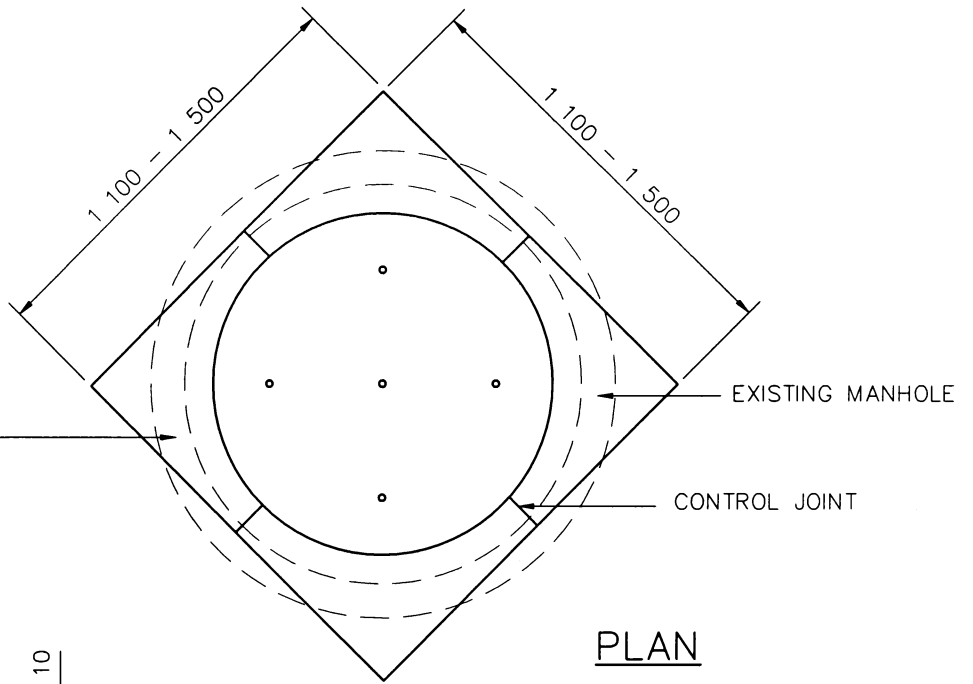
**City of
Saskatoon**

Transportation & Utilities Department

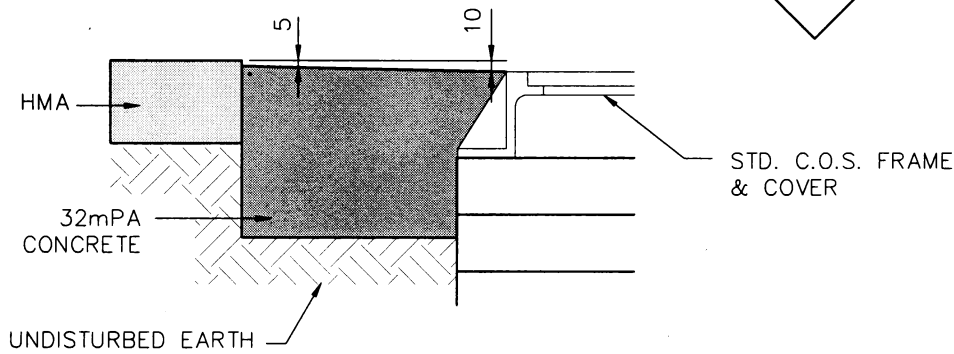
CIRCULAR CONCRETE PIPE BEDDINGS

	CHIEF ENGINEER	<u>JAN 30 2017</u>
		DATE
	ENGINEER	<u>JAN 30 2017</u>
		DATE
PLAN NO. 102-0011-011r001		

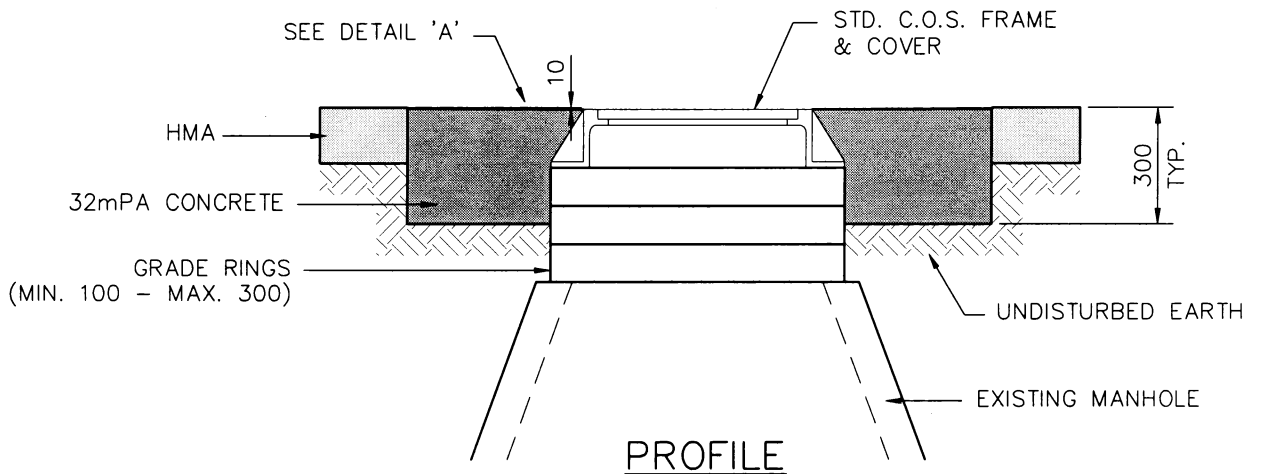
UNIFORMED LINING THICKNESS
(MIN 50 - MAX. 75)



PLAN



DETAIL 'A'



PROFILE

ALL DIMENSIONS IN MILLIMETERS UNLESS OTHERWISE NOTED

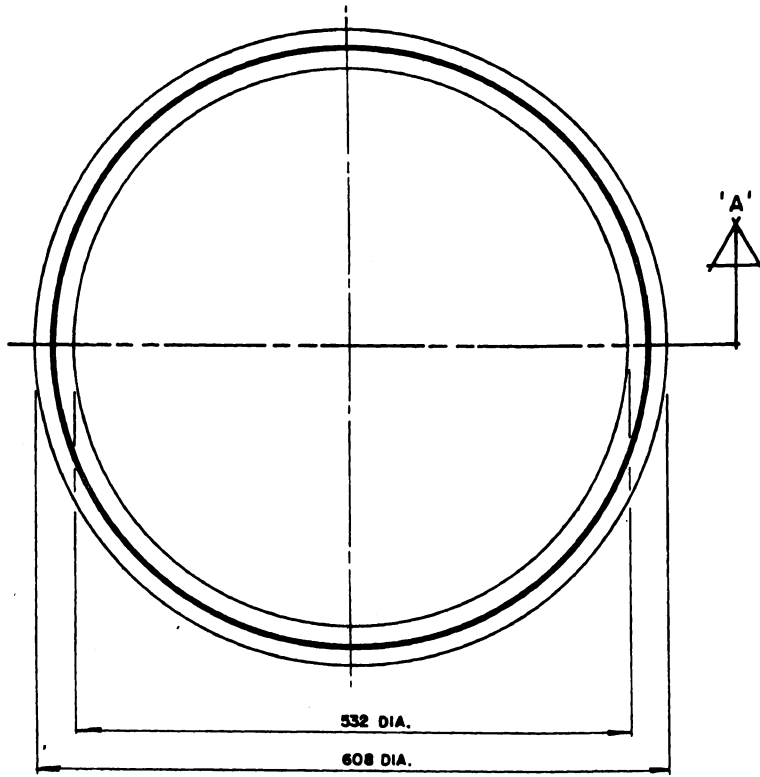
REVISIONS	
1	REVISED 2000-10-18 MJ
2	
3	



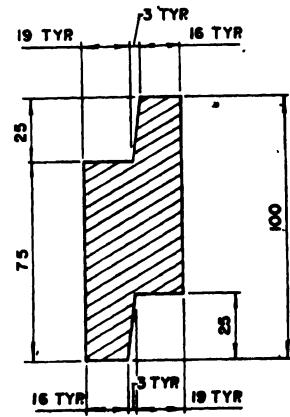
CONCRETE MANHOLE COLLARS

DRAWN BY	RPL
DATE	95-04-06
CHECKED BY	
DATE	

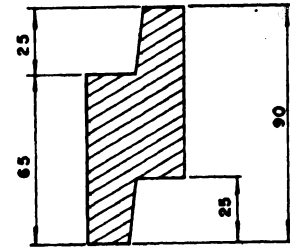
APPROVED	
GENERAL MANAGER	P. ENG.
<i>A. Boyle</i> 00-10-20	
ENGINEER	
ENGINEER	
SCALES :	
HOR.	1:20
VERT.	
PLAN NO.	102-0011-012r001



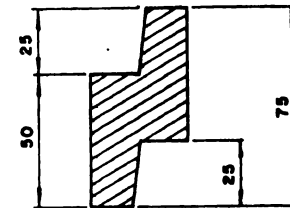
PLAN VIEW
scale 1:5



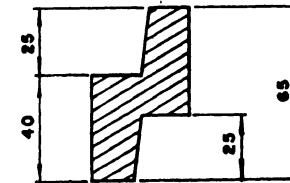
75 mm LIFT



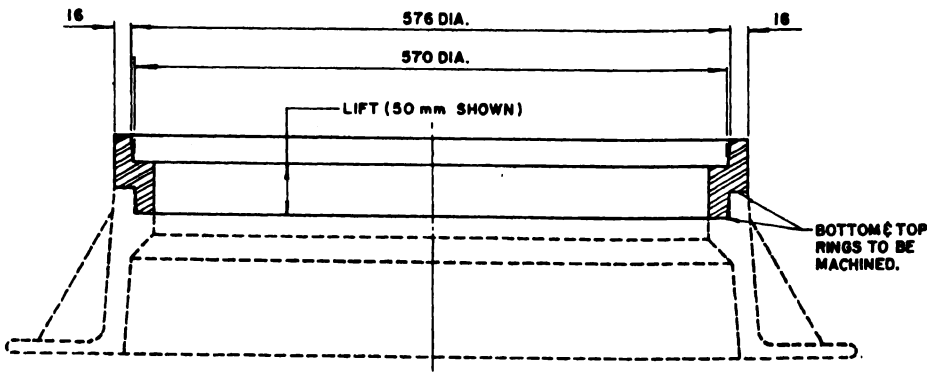
65 mm LIFT



50 mm LIFT



40 mm LIFT
scale 1:2



SECTION 'A'
scale 1:5

REVISIONS

1	
2	
3	

DRAWN BY HLO
DATE 08-02-28
CHECKED BY _____
DATE _____



LIFTER RING DETAILS

APPROVED

W. C. [Signature]
GENERAL MANAGER P. ENG.
A. Boyko
ENGINEER

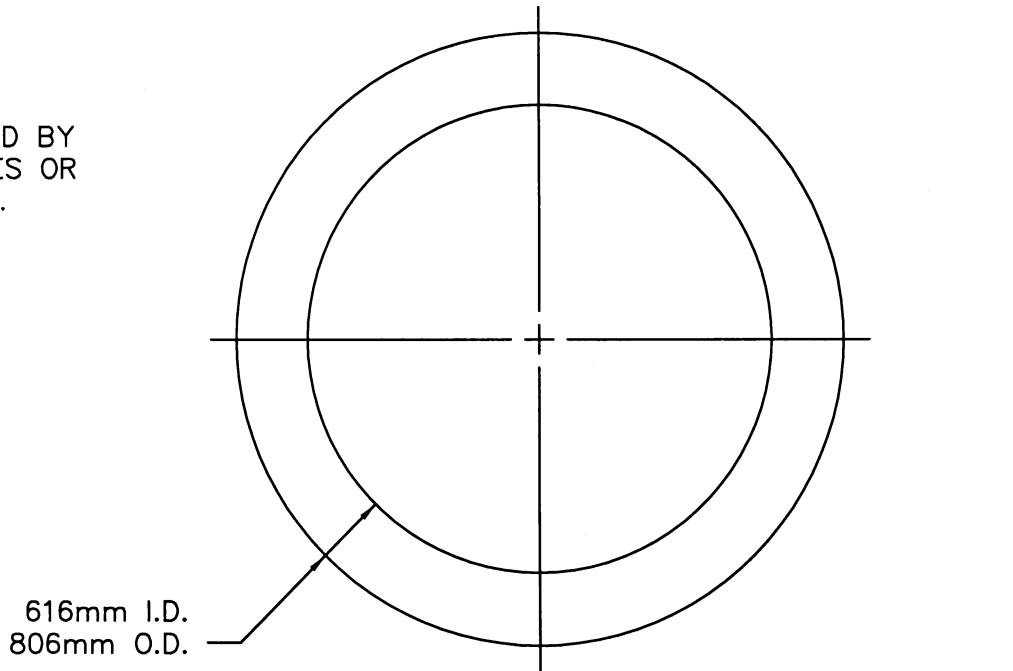
ENGINEER _____

SCALES :
HOR. _____

PLAN NO. 102-0011-013r001

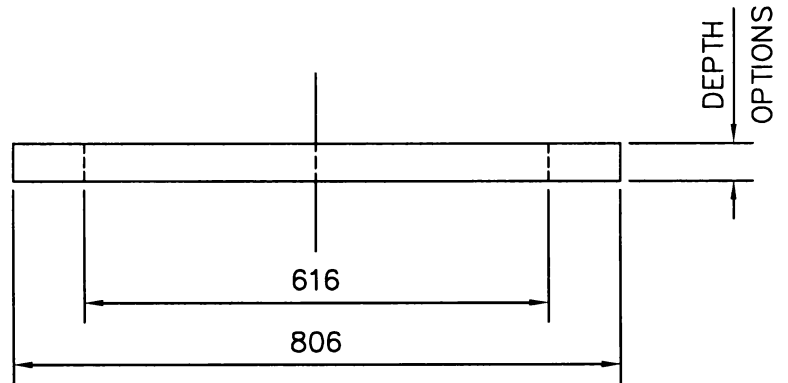
NOTE:

1. AS MANUFACTURED BY GNR TECHNOLOGIES OR APPROVED EQUAL.

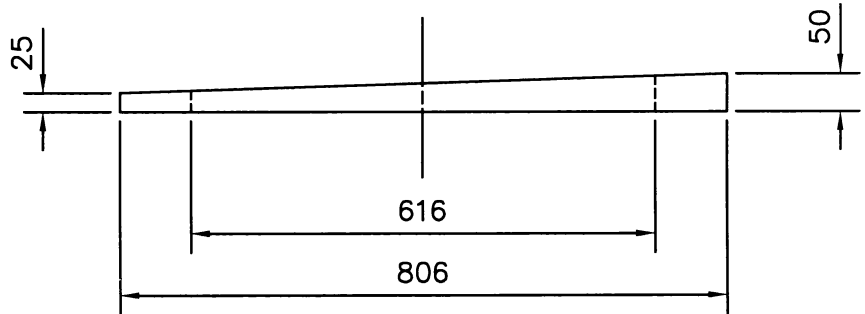


FLAT STYLE

- DEPTH - 12mm
- DEPTH - 25mm
- DEPTH - 50mm



TAPERED STYLE



ALL DIMENSIONS IN MILLIMETRES UNLESS OTHERWISE NOTED

<p>REVISIONS</p> <table border="1"> <tr><td>1</td><td></td></tr> <tr><td>2</td><td></td></tr> <tr><td>3</td><td></td></tr> </table>		1		2		3		<p>City of Saskatoon Infrastructure Services Department</p>	<p>APPROVED</p>	
1										
2										
3										
<p>DRAWN BY <u> MJ </u> DATE <u> 2003-04-16 </u></p>		<p>GENERAL MANAGER <u> A. Boyle </u> P. ENG. ENGINEER _____</p>								
<p>CHECKED BY _____ DATE _____</p>		<p>RUBBER MANHOLE ADJUSTMENT RISER</p>		<p>ENGINEER _____ SCALES : HOR. <u> 1:10 </u></p>						
				<p>PLAN NO. 102-0011-014r001</p>						

SHOTCRETE LINING THICKNESS
OF MIN. 50mm, MAX. 75mm

150mm x 150mm x 20mm
THREADED L-SHAPE CONCRETE
ANCHORS @ 300mm O.C. E. W.

EXISTING BRICK STRUCTURED
MANHOLE

PLAN

GRADE RINGS MAX 300mm

STANDARD C.O.S. FRAME AND
COVER

450mm CONICAL BEV SECTION

SHOTCRETE LINING THICKNESS
OF MIN. 50mm, MAX. 75mm

VARIES
(900mm MIN)

MSU NO. 350 ALUMINUM
SAFETY RUNGS STAGGERED
EACH SIDE MAX. 400mm O.C.

EXISTING BRICK STRUCTURED
MANHOLE

PVC TROUGH SECURED TO BASE
WITH MIN. 4-19mm x 75mm
S.S.T. STOVE BOLT CONCRETE
ANCHORS

BENCHING SLOPE @ 30° ANGLE

150mm x 150mm x 20mm
THREADED L-SHAPE CONCRETE
ANCHORS @ 300mm O.C. E. W.

SECTION

REVISIONS

1	HLO 06-01-25
2	REMOVE NOTE HLO 2012-12-17
3	



**City of
Saskatoon**
Infrastructure Services Department

APPROVED
CITY ENGINEER P. ENG.
ENGINEER

DRAWN BY HAF
DATE 94-05-13

CHECKED BY _____
DATE _____

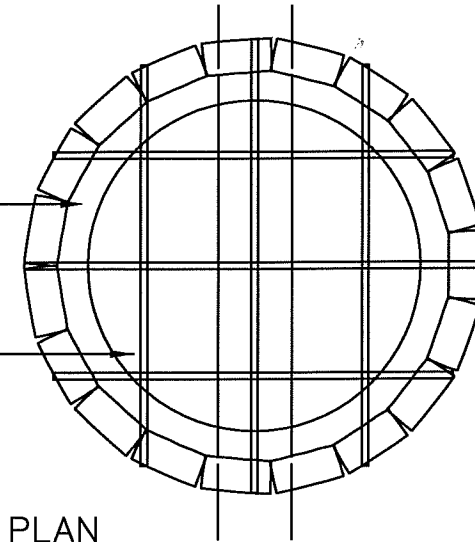
MANHOLE REHABILITATION
BASE RECONSTRUCTION WHERE THICKNESS OF
CONCRETE BELOW INVERT EXCEEDS 125mm

ENGINEER
SCALE : 1:20

PLAN NO. 102-0011-016r002

SHOTCRETE LINING THICKNESS
OF MIN. 50mm, MAX. 75mm

300mm x 20mm CONCRETE
ANCHORS @ 300mm O.C.



EXISTING BRICK STRUCTURED
MANHOLE

PLAN

GRADE RINGS MAX 300mm

SHOTCRETE LINING THICKNESS
OF MIN. 50mm, MAX. 75mm

EXISTING BRICK STRUCTURED
MANHOLE

BENCHING SLOPE @ 30° ANGLE

300mm x 20mm CONCRETE
ANCHORS @ 300mm O.C.

STANDARD C.O.S. FRAME AND
COVER

450mm CONICAL BEV SECTION

MSU NO. 350 ALUMINUM
SAFETY RUNGS STAGGERED
EACH SIDE MAX. 400mm O.C.

PVC TROUGH SECURED TO BASE
WITH MIN. 4-19mm x 75mm
S.S.T. STOVE BOLT CONCRETE
ANCHORS

SECTION

REVISIONS

1	HLO 06-01-25
2	REMOVE NOTE HLO 2012-12-17
3	
DRAWN BY <u>HAF</u>	
DATE <u>94-05-13</u>	
CHECKED BY _____	
DATE _____	



**City of
Saskatoon**
Infrastructure Services Department

APPROVED

CITY ENGINEER _____ P. ENG.

ENGINEER _____

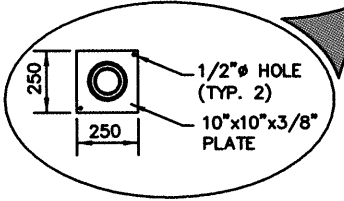
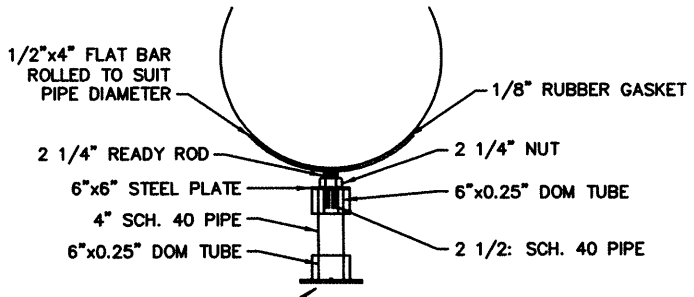
ENGINEER _____

SCALE : 1:20

PLAN NO. 102-0011-017r002

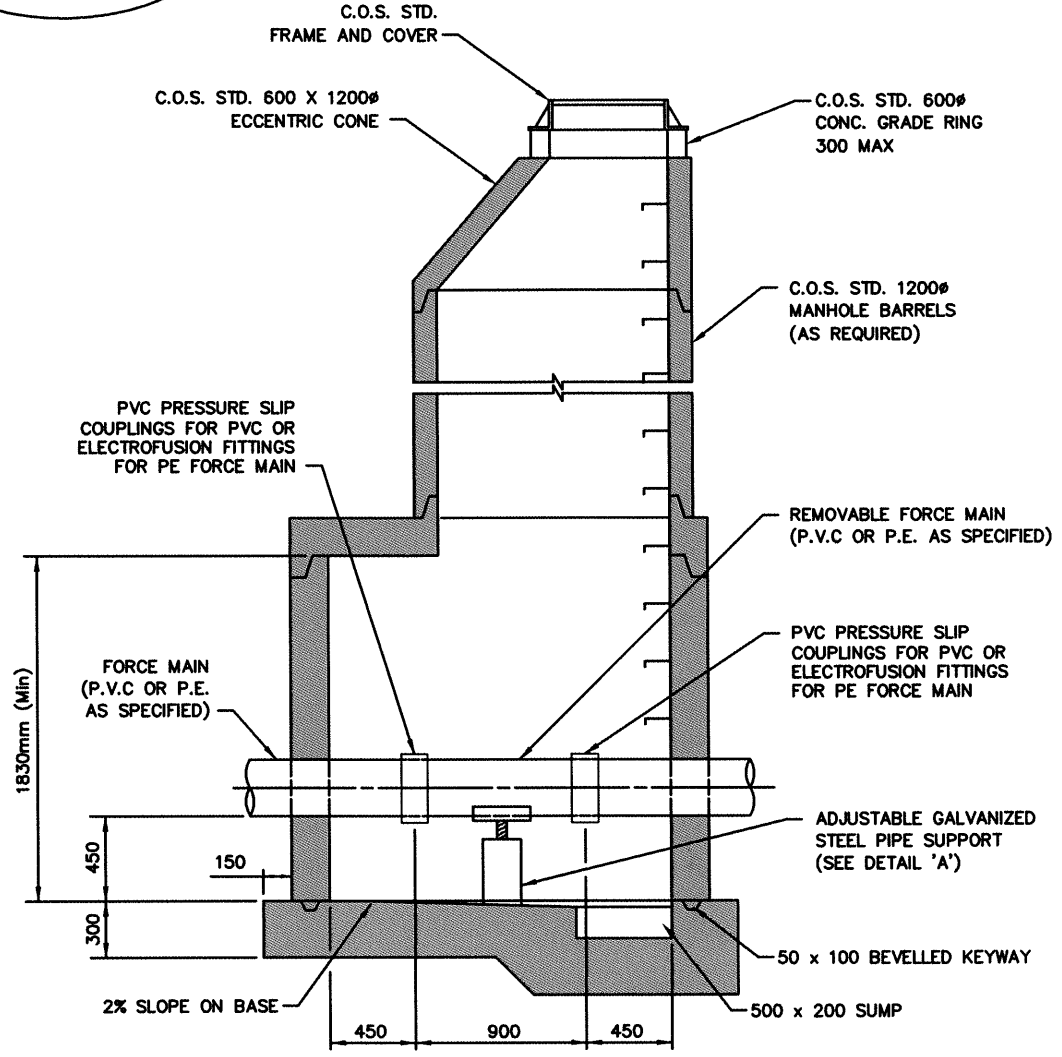
MANHOLE REHABILITATION

BASE RECONSTRUCTION WHERE THICKNESS OF
CONCRETE BELOW INVERT DOESN'T EXCEED 125mm



DETAIL 'A'

1. ALL POURED IN PLACE CONCRETE TO BE 35 MPa SULPHATE RESISTANT.
2. ALL PRECAST CONCRETE SECTIONS SHALL BE MANUFACTURED IN ACCORDANCE WITH A.S.T.M SPECIFICATION C-478.
3. FORCE MAIN INSPECTION MANHOLES SHALL BE INSTALLED AT LOCATIONS ON EITHER SIDE OF A HORIZONTAL ALIGNMENT DEFLECTION IN SUCH A POSITION THAT PERMITS INSPECTION & CLEANING OF FORCE MAIN IN MULTIPLE DIRECTIONS.
4. SAFETY PLATFORMS AS PER CITY OF SASKATOON STANDARD SPECIFICATIONS SHALL BE INSTALLED IN ALL MANHOLES WITH DEPTHS GREATER THAN 6.0 METERS.
5. SAFETY PLATFORMS SHALL BE INSTALLED IN SUCH A MANNER SO THAT NO VERTICAL FALL DISTANCE EXCEEDS 5.0 METERS OR IS LESS THAN 2.4 METERS.



SECTION

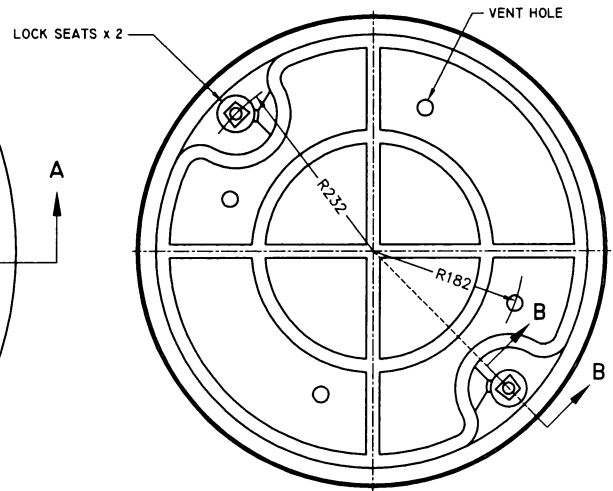
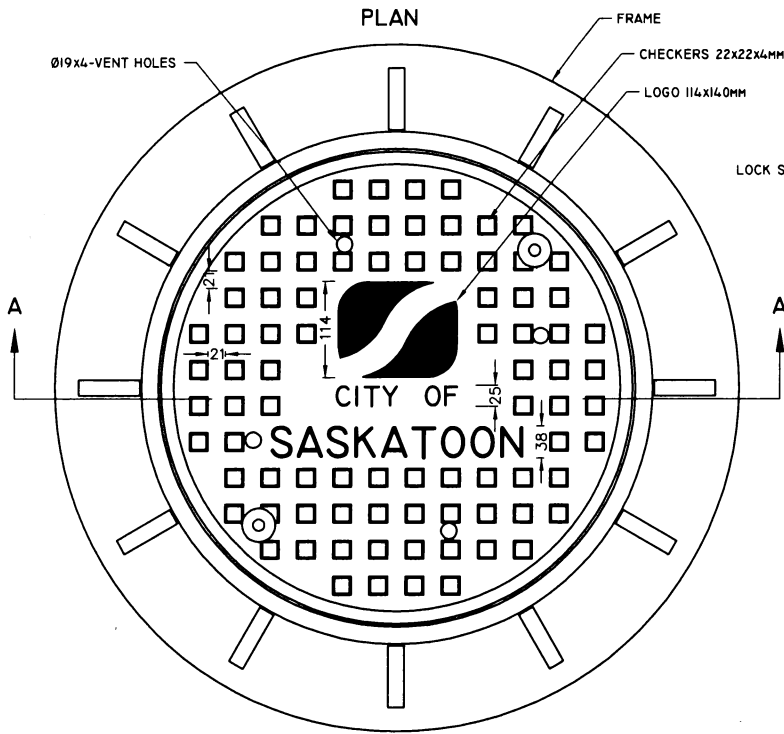
ALL DIMENSIONS IN MILLIMETRES UNLESS OTHERWISE NOTED

PLAN DESCRIPTION/REVISIONS	
4	
3	REV. MANHOLE WITH DETAIL, NOTES 1, 3, 4 & 5 MJ 2014-DEC-12
2	HLO 07-01-22
1	HLO 06-01-25
DRAWN BY <u>SLM</u>	
DATE <u>97-05-01</u>	
SCALE : HOR. <u>1:40</u> VERT. _____	

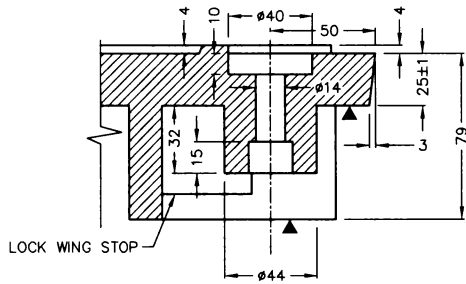


**SEWER FORCE MAIN
INSPECTION MANHOLE**

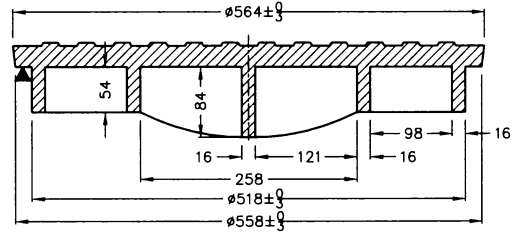
APPROVED	
	ENGINEER
	ENGINEER
PLAN NO. 102-0011-018r003	



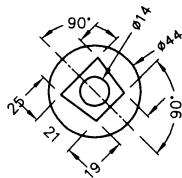
BOTTOM - MANHOLE COVER



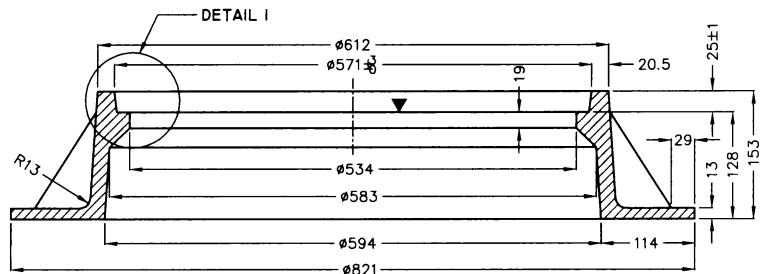
SECTION B-B
SCALE 1:2



SECTION A-A - COVER



LOCK SEAT DETAILS



SECTION A-A - FRAME

REVISIONS

1	
2	
3	
DRAWN BY CDC	
DATE 06-01-30	
CHECKED BY _____	
DATE _____	



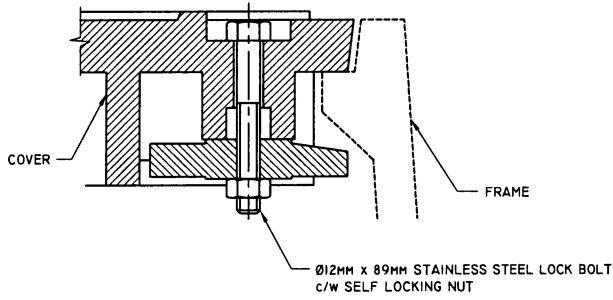
City of Saskatoon
Infrastructure Services Department

STANDARD LOCKABLE COS MH FRAME & COVER
FOR PUBLIC PROPERTIES

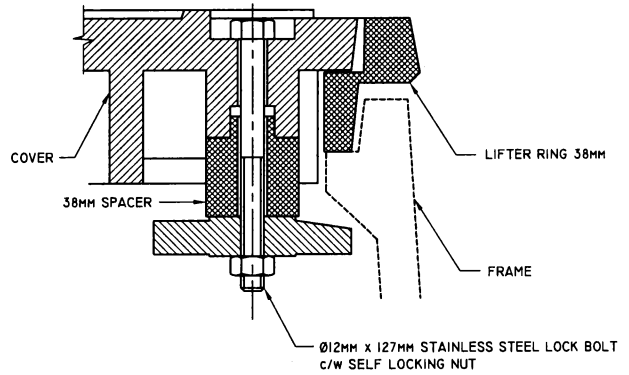
APPROVED

GENERAL MANAGER
A. Boyle P. ENG.
ENGINEER
ENGINEER
SCALES :
HOR. NTS
PLAN NO. 102-0011-019r002

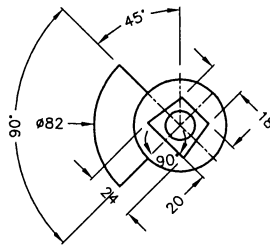
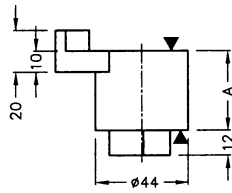
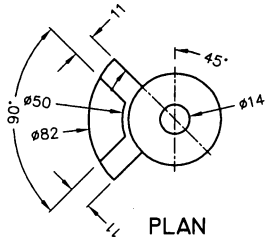
SECTION VIEW OF COVER WITH FRAME



SECTION VIEW OF COVER WITH FRAME AND 38MM LIFTER RING



SPACER WITH WING STOP



LOCK WING DETAILS

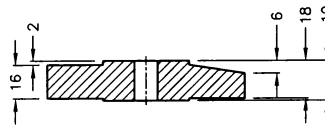
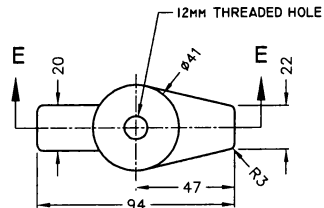


TABLE I
MANUFACTURING TOLERANCE

ALL DIMENSIONS SHALL CONFORM TO ±3MM TOLERANCE EXCEPT:

- (1) AS NOTED
- (2) MACHINED SURFACES - ▼
- (3) NO DEVIATION SHALL BE ACCEPTABLE FOR DIMENSION WHICH ARE LESS THEN 10MM

LIFTER RING SIZE	DIMENSION A	BOLT SIZE
38	38	12 x 127
51	51	12 x 140
64	64	12 x 153
76	76	12 x 165

REVISIONS

1	
2	
3	

DRAWN BY CDC
DATE 06-01-30
CHECKED BY _____
DATE _____



City of Saskatoon
Infrastructure Services Department

LOCK WING & SPACERS
FOR STANDARD COS MANHOLE COVERS

APPROVED

GENERAL MANAGER P. ENG.

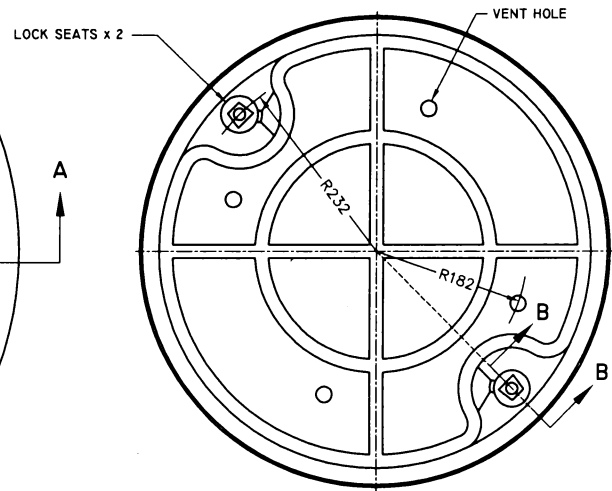
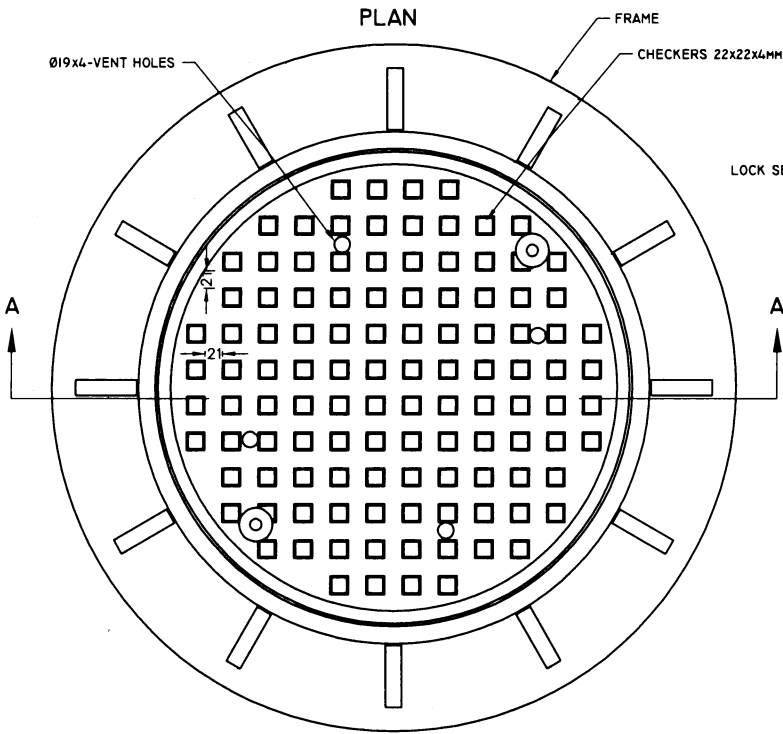
ENGINEER

ENGINEER

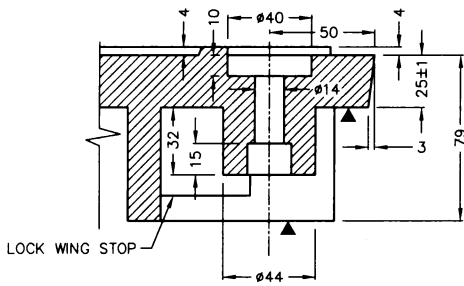
SCALES :

HOR. NTS

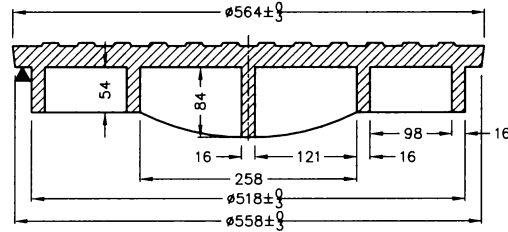
PLAN NO. 102-0011-020r002



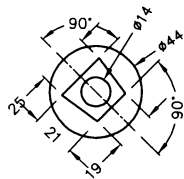
BOTTOM - MANHOLE COVER



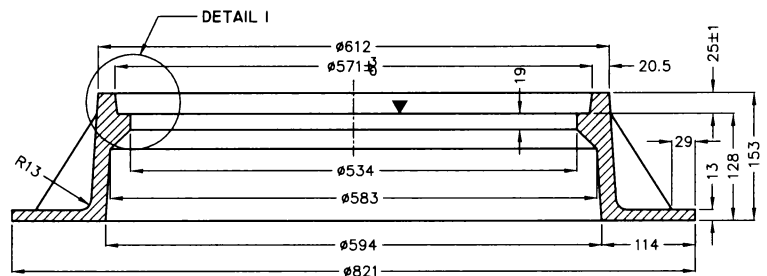
SECTION B-B
SCALE 1:2



SECTION A-A - COVER



LOCK SEAT DETAILS



SECTION A-A - FRAME

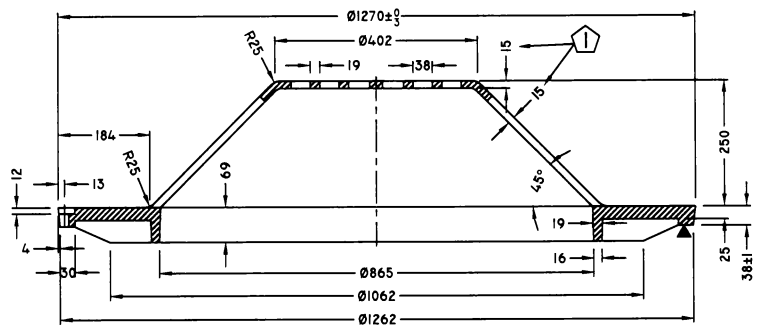
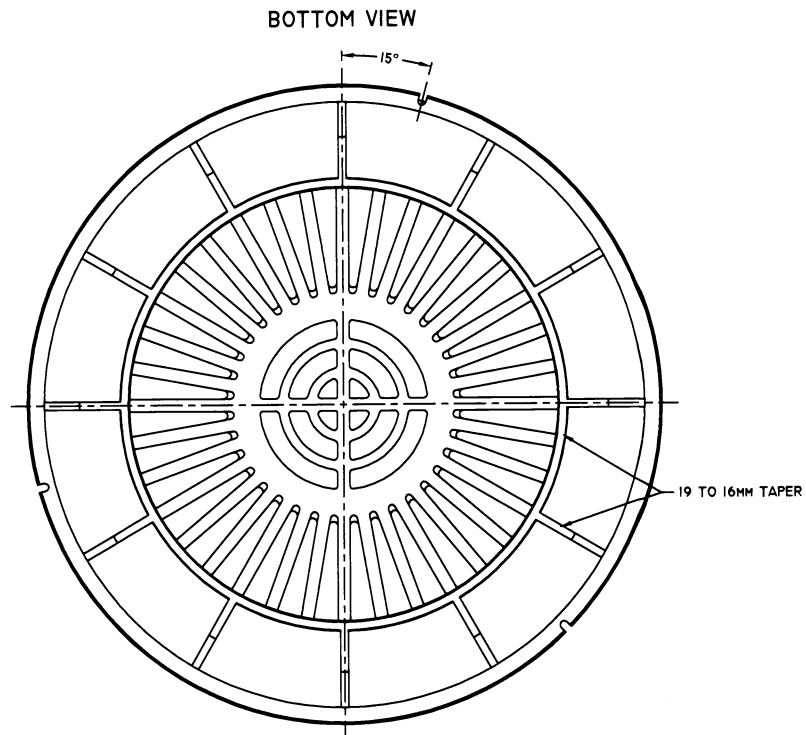
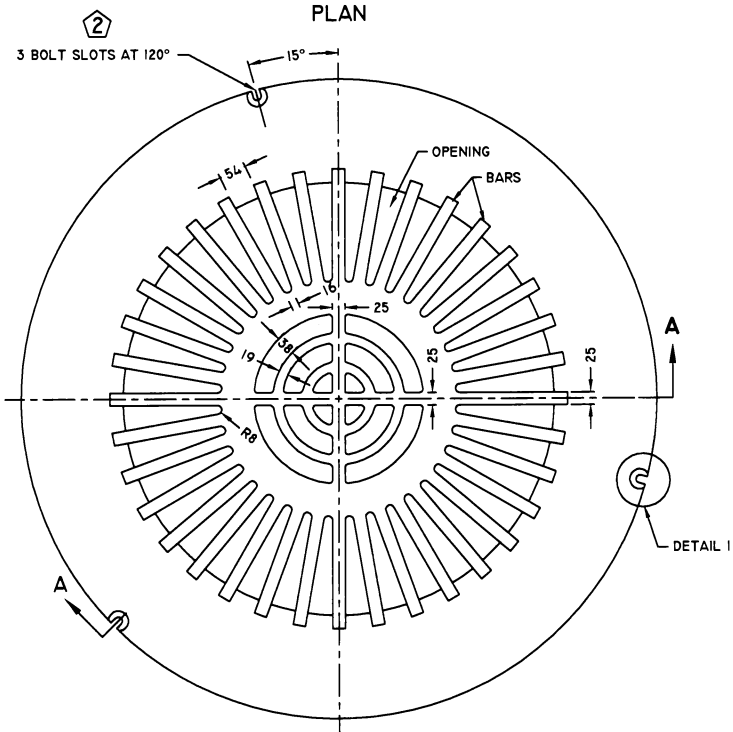
REVISIONS	
1	
2	
3	
DRAWN BY <u>CDC</u>	
DATE <u>06-01-30</u>	
CHECKED BY _____	
DATE _____	



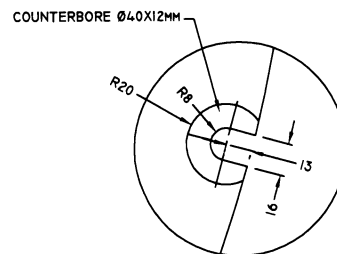
City of Saskatoon
Infrastructure Services Department

STANDARD LOCKABLE COS MH FRAME & COVER
FOR PRIVATE PROPERTIES

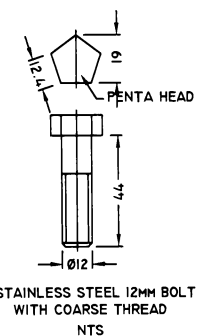
APPROVED	
<i>[Signature]</i>	P. ENG.
GENERAL MANAGER	
ENGINEER	
ENGINEER	
SCALES: HOR. <u>NTS</u>	
PLAN NO. 102-0011-021r002	



SECTION A-A



DETAIL I
SCALE 1:2



STAINLESS STEEL 12MM BOLT
WITH COARSE THREAD
NTS

MATERIAL SPECIFICATION:

DUCTILE IRON TO CONFORM TO
A.S.T.M. A536 (LATEST EDITION)
GRADE 65-45-12.

▲ MACHINED SURFACES

MEASUREMENTS IN MILLIMETERS
ASPHALTIC DIP FINISH

REVISIONS	
1	
2	
3	
DRAWN BY <u>LBKM</u>	
DATE <u>08-01-16</u>	
CHECKED BY _____	
DATE _____	



**City of
Saskatoon**
Infrastructure Services Department

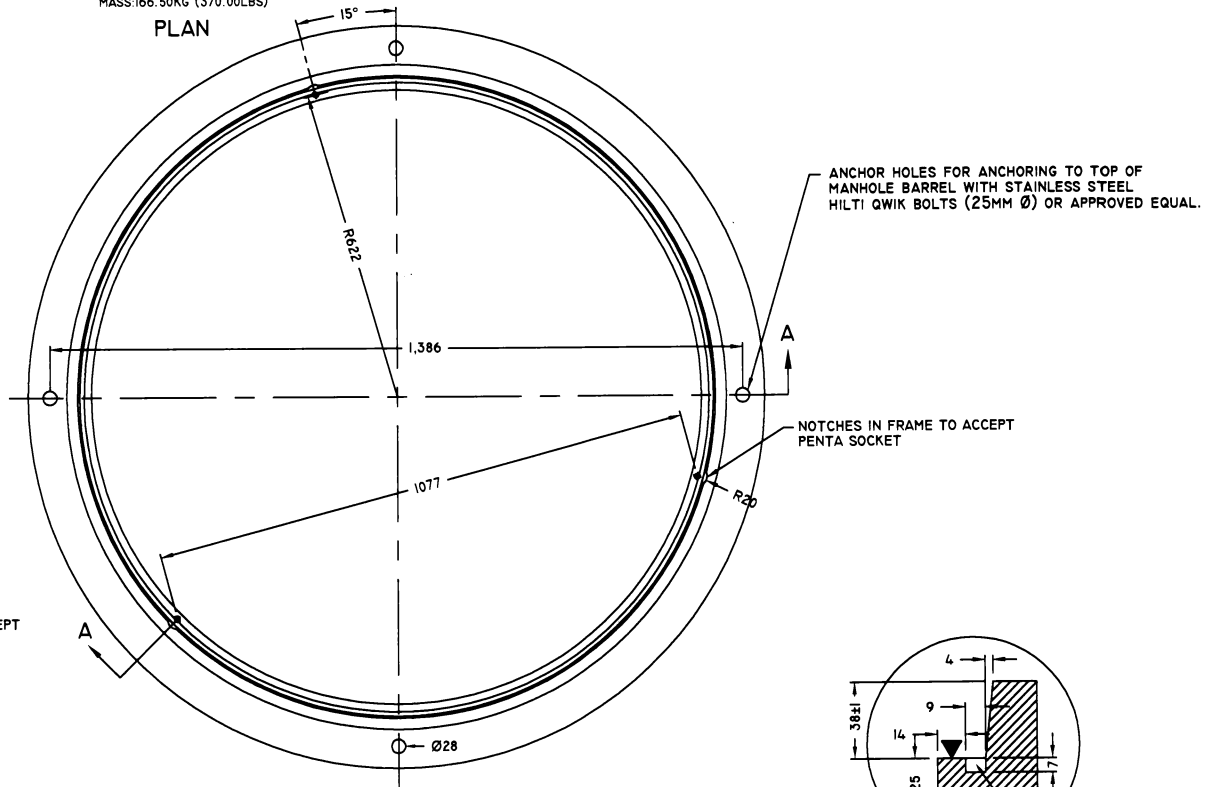
TF-48 BEEHIVE GRATE

APPROVED	
<i>[Signature]</i>	P. ENG.
GENERAL MANAGER	
ENGINEER	
ENGINEER <i>[Signature]</i> <u>Jan 16, 08</u>	
SCALES : HOR. <u>1:15</u>	
PLAN NO. 102-0011-022r001	

FRAME

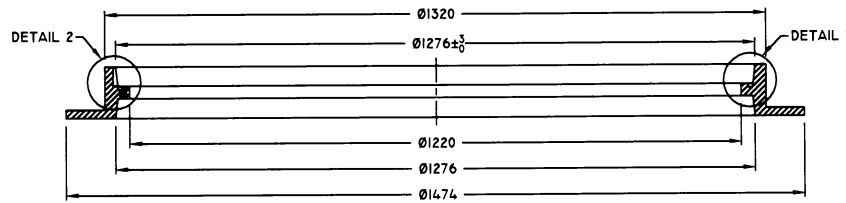
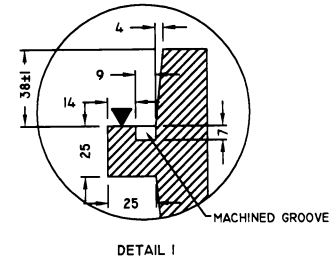
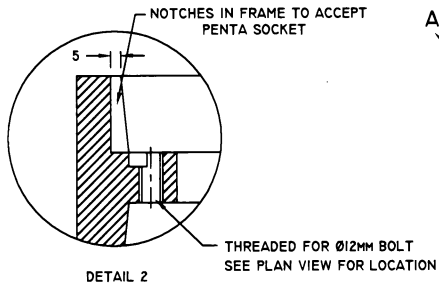
MASS:166.50KG (370.00LBS)

PLAN



ANCHOR HOLES FOR ANCHORING TO TOP OF MANHOLE BARREL WITH STAINLESS STEEL HILTI QWIK BOLTS (25MM Ø) OR APPROVED EQUAL.

NOTCHES IN FRAME TO ACCEPT PENTA SOCKET



SECTION A-A

MATERIAL SPECIFICATION:

DUCTILE IRON TO CONFORM TO A.S.T.M. A536 (LATEST EDITION) GRADE 65-45-12.

▲ MACHINED SURFACES

MEASUREMENTS IN MILLIMETERS ASPHALTIC DIP FINISH

REVISIONS	
1	
2	
3	

DRAWN BY	LBKM
DATE	08-01-16
CHECKED BY	
DATE	



City of Saskatoon
Infrastructure Services Department

TF-48 BEEHIVE FRAME

APPROVED

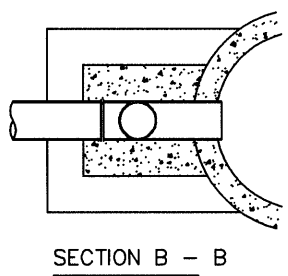
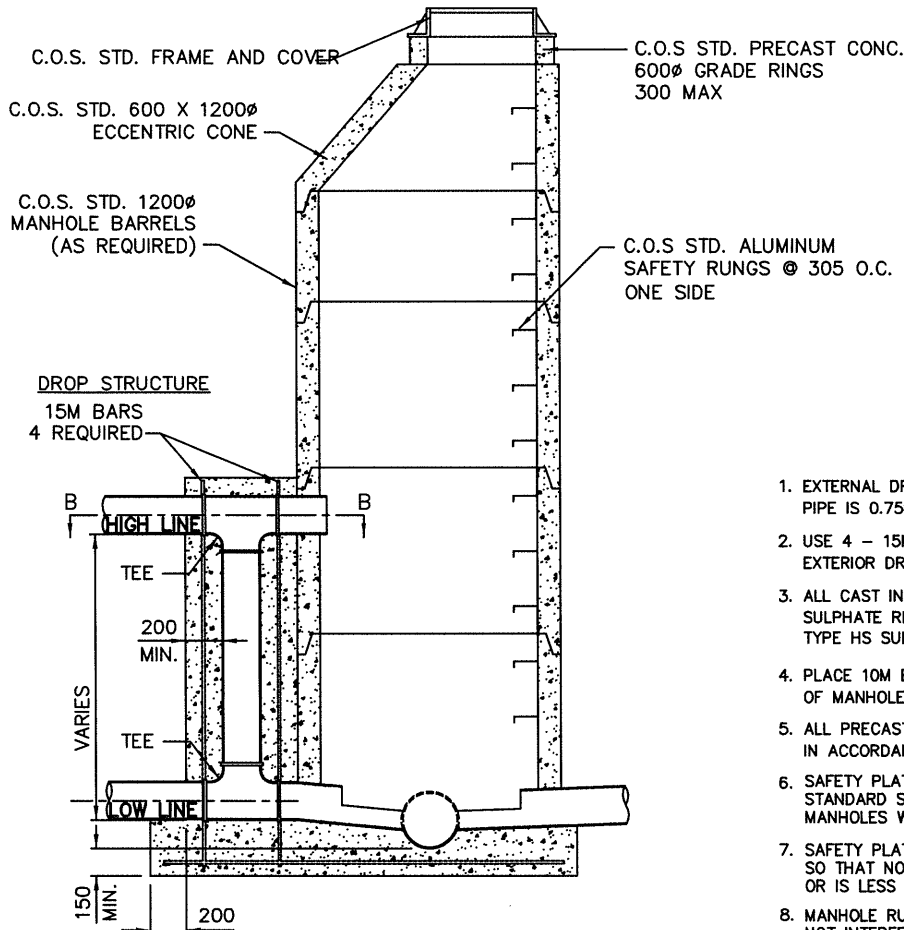
[Signature]
GENERAL MANAGER P. ENG.

ENGINEER
[Signature] JUN 16, 08

ENGINEER

SCALES :
HOR. 1:15

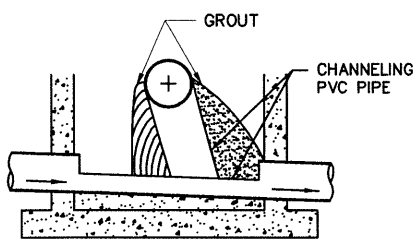
PLAN NO. 102-0011-023r001



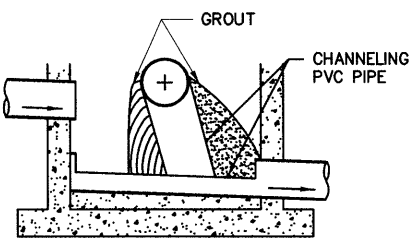
1. EXTERNAL DROP STRUCTURE REQUIRED WHEN CROWN OF INLET PIPE IS 0.75m OR MORE ABOVE CROWN OF OUTLET PIPE.
2. USE 4 - 15M BARS PLACED AS SHOWN WHEN EXTERIOR DROP SECTION IS 1.5m OR MORE.
3. ALL CAST IN PLACE CONCRETE TO BE 35 MPa SULPHATE RESISTANT. ALL GROUT TO BE NON-SHRINK, TYPE HS SULPHATE RESISTANT, CEMENTITIOUS GROUT.
4. PLACE 10M BARS AT 200mm O.C. EACH WAY IN BASE OF MANHOLES OVER 4.5m DEEP.
5. ALL PRECAST CONCRETE SECTIONS SHALL BE MANUFACTURED IN ACCORDANCE WITH ASTM SPECIFICATION C478.
6. SAFETY PLATFORMS MEETING CITY OF SASKATOON STANDARD SPECIFICATIONS SHALL BE INSTALLED IN ALL MANHOLES WITH DEPTHS GREATER THAN 6.0 METERS.
7. SAFETY PLATFORMS SHALL BE INSTALLED IN SUCH A MANNER SO THAT NO VERTICAL FALL DISTANCE EXCEEDS 5.0 METERS OR IS LESS THAN 2.4 METERS.
8. MANHOLE RUNGS SHALL BE ORIENTED SUCH THAT THEY DO NOT INTERFERE WITH THE INCOMING PIPE.
9. PVC CHANNELING SHALL BE SEAMLESS FOR STRAIGHT THROUGH BASES.
10. PIPE TO MANHOLE CONNECTIONS SHALL BE WATERTIGHT.

SECTION THROUGH MANHOLE

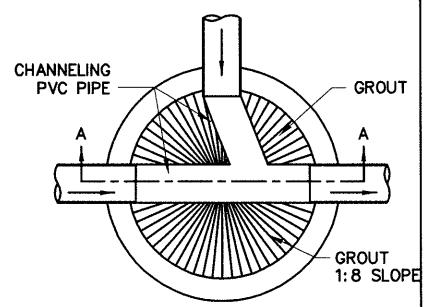
CHANNELIZATION DETAILS FOR INTERIOR DROP OF LESS THAN 0.75M



SECTION A - A



SECTION A - A



PLAN VIEW

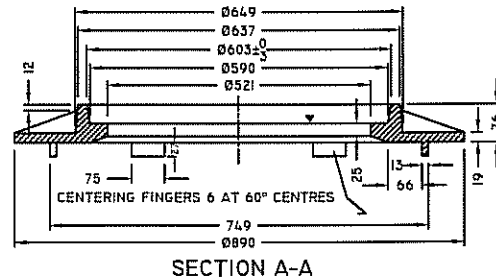
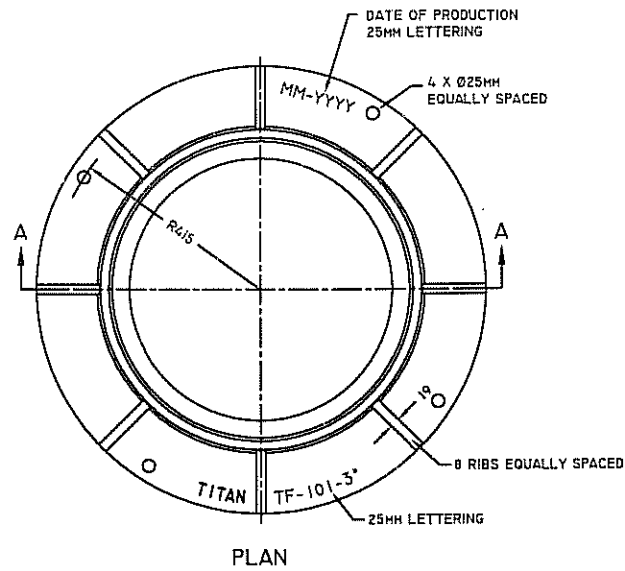
ALL DIMENSIONS IN MILLIMETRES UNLESS OTHERWISE NOTED

PLAN DESCRIPTION/REVISIONS	
4	REMOVE GROUT AROUND PIPES AT MANHOLE BASE REVISE NOTE 3 ADD NOTE 10 2017-JAN-25 HLO
3	ADD GROUT AROUND PIPES AT MANHOLE BASE & ADD NOTES 8, 9 2015-NOV-26 HLO
2	NOTES 3 -35MPa CONC., 6, 7 & 8 MJ 2014-DEC-12
1	2012-01-05 HLO
DRAWN BY HLO	
DATE 08-02-19	
SCALE : HOR. 1:40 VERT. _____	

City of Saskatoon
Transportation & Utilities Department

SANITARY SEWER MANHOLE DROP STRUCTURE
BETWEEN HIGH LINE AND LOW LINE

 CHIEF ENGINEER DATE JAN 30 2017
 ENGINEER DATE JAN 30 2017
PLAN NO. 102-0011-024r005



SPECIFICATIONS

- (1) CASTINGS SHALL CONFORM TO ALL REQUIREMENTS OF A.S.T.M. DESIGNATION A48 CLASS 30
- (2) CASTINGS SHALL BE PRODUCED TO THE DIMENSIONS AND WITHIN THE TOLERANCES NOTED IN THE TABLE I.
- (3) CASTINGS SHALL BE MARKED WITH THE PROPER IDENTIFICATION MARKINGS WHICH WILL INCLUDE:
 - (A) MARKINGS AS REQUESTED AT TIME OF ORDER.
 - (B) FOUNDRY IDENTIFICATION MARKING, AND YEAR OF CASTING.
 - (C) THESE MARKINGS SHALL BE SO LOCATED IN SUCH A MANNER AND OF SUCH SIZE THAT THEY ARE EASILY IDENTIFIABLE AFTER INSTALLATION.
- (4) ALL CASTING WILL BE FREE OF DEFECTS, BE TRUE TO PATTERN AND BE FREE FROM CRACKS, GAS HOLES, FLAWS AND EXCESSIVE SPRINKAGE. SURFACES OF CASTING SHALL BE FREE FROM BURNT ON SAND AND SHALL BE REASONABLY SMOOTH.
- (5) CASTING SHALL NOT ROCK WHEN INSTALLED. THE MANUFACTURER SHALL TRIAL FIT THE CASTINGS AGAINST A STANDARD FRAME.

▼ - BEARING SURFACES
MEASUREMENTS IN MILLIMETERS

TABLE I
MANUFACTURING TOLERANCE

ALL DIMENSIONS SHALL CONFORM TO ±2MM TOLERANCE EXCEPT:
(1) AS NOTED.
(2) NO DEVIATION SHALL BE ACCEPTABLE FOR DIMENSIONS WHICH ARE LESS THEN 10MM

REVISIONS	
1	
2	
3	
DRAWN BY <u>MLB</u>	
DATE <u>08-11-21</u>	
CHECKED BY _____	
DATE _____	



City of Saskatoon
Infrastructure Services Department

TF-101 BEEHIVE FRAME

APPROVED

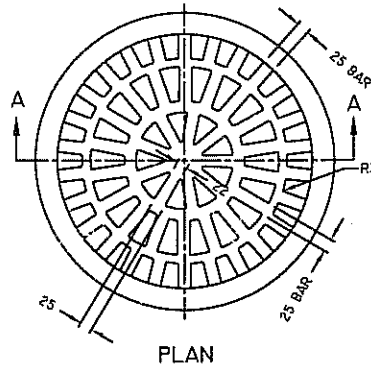
[Signature] 11/21/08
GENERAL MANAGER P. ENG.

ENGINEER *[Signature]*

ENGINEER *[Signature]* NOV 21, 08

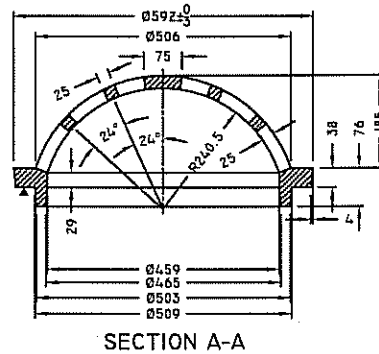
SCALES : HOR. 1:15

PLAN NO. 102-0011-025r001



SPECIFICATIONS

- (1) CASTINGS SHALL CONFORM TO ALL REQUIREMENTS OF A.S.T.M. DESIGNATION A48 CLASS 30
- (2) CASTINGS SHALL BE PRODUCED TO THE DIMENSIONS AND WITHIN THE TOLERANCES NOTED IN THE TABLE I.
- (3) CASTINGS SHALL BE MARKED WITH THE PROPER IDENTIFICATION MARKINGS WHICH WILL INCLUDE:
 - (a) MARKINGS AS REQUESTED AT TIME OF ORDER.
 - (b) FOUNDRY IDENTIFICATION MARKING, AND YEAR OF CASTING.
 - (c) THESE MARKINGS SHALL BE SO LOCATED IN SUCH A MANNER AND OF SUCH SIZE THAT THEY ARE EASILY IDENTIFIABLE AFTER INSTALLATION.
- (4) ALL CASTING WILL BE FREE OF DEFECTS, BE TRUE TO PATTERN AND BE FREE FROM CRACKS, GAS HOLES, FLAWS AND EXCESSIVE SPRINKAGE. SURFACES OF CASTING SHALL BE FREE FROM BURNT ON SAND AND SHALL BE REASONABLY SMOOTH.
- (5) CASTING SHALL NOT ROCK WHEN INSTALLED. THE MANUFACTURER SHALL TRIAL FIT THE CASTINGS AGAINST A STANDARD FRAME.



▼ - BEARING SURFACES
MEASUREMENTS IN MILLIMETERS

TABLE I
MANUFACTURING TOLERANCE

ALL DIMENSIONS SHALL CONFORM TO ±2MM TOLERANCE EXCEPT:
(1) AS NOTED.
(2) NO DEVIATION SHALL BE ACCEPTABLE FOR DIMENSIONS WHICH ARE LESS THEN 10MM

REVISIONS	
1	
2	
3	
DRAWN BY <u>MLB</u>	
DATE <u>08-11-21</u>	
CHECKED BY _____	
DATE _____	



City of Saskatoon
Infrastructure Services Department

TF-101 BEEHIVE GRATE

APPROVED	
GENERAL MANAGER	P. ENG.
ENGINEER -	
ENGINEER	<u>Nov 21, 08</u>
SCALES : HOR. 1:15	
PLAN NO. 102-0011-026r001	

MAINTENANCE HOLE CHAMBERS LESS THAN 6 METERS DEEP

GENERAL NOTES AND SPECIFICATIONS

1. GENERAL NOTES
 - 1.1. WORK SHALL CONFORM TO THE CURRENT EDITION OF THE FOLLOWING CODES AND STANDARDS:
 - 1.1.1. CAN/CSA-A23.4 PRECAST CONCRETE MATERIALS AND CONSTRUCTION
 - 1.1.2. CAN/CSA-A23.3 DESIGN OF CONCRETE STRUCTURES
 - 1.1.3. CAN/CSA-G30.18 CARBON STEEL BARS FOR CONCRETE REINFORCEMENT
 - 1.1.4. CAN/CSA-S6 CANADIAN HIGHWAY BRIDGE DESIGN CODE
 - 1.1.5. CAN/CSA-A257 STANDARDS FOR CONCRETE PIPE AND MANHOLE SECTIONS
 - 1.1.6. ASTM C478 STANDARD SPECIFICATION FOR PRECAST REINFORCED CONCRETE MANHOLE SECTIONS
 - 1.2. CITY OF SASKATOON TAKES RESPONSIBILITY FOR GENERAL ARRANGEMENT, SIZING, AND REINFORCING STEEL AS SHOWN.
 - 1.3. AS PER REQUIREMENTS OF CAN/CSA-A23.4 PRECAST MANUFACTURER TO SUBMIT SEALED SHOP DRAWINGS FOR ALL ELEMENTS NOT DETAILED IN THIS STANDARD.
 - 1.4. DEVIATION FROM THE DESIGN SHOWN IS PERMITTED ONLY BY APPROVAL OF THE ENGINEER AND WITH SUBMISSION OF SITE SPECIFIC SHOP DRAWING SEALED BY A PROFESSIONAL ENGINEER LICENSED IN THE PROVINCE OF SASKATCHEWAN.
 - 1.5. SEE DRAWING 102-0011-029 FOR SECTIONS AND DETAILS.
 - 1.6. SEE DRAWING 102-0011-030 FOR CAST-IN-PLACE CONSTRUCTION.
2. CONSTRUCT PRECAST MANHOLE ACCORDING TO THE GEOMETRY AND REINFORCING PROVIDED. CONFIRM INLET/OUTLET QUANTITIES AND ORIENTATION. CONFIRM CONCRETE PIPE OUTSIDE DIAMETERS WITH PIPE SUPPLIER/CONTRACTOR PRIOR TO FABRICATION. DESIGN OF MANHOLE CHAMBER TO BE GOVERNED BY LARGEST PIPE ENTERING/EXITING THE CHAMBER AND DEPTH OF CHAMBER FROM FINAL GRADE TO TOP OF SLAB. CORNER GEOMETRY OTHER THAN 90° PERMITTED PROVIDED ELEMENT THICKNESS TO SPAN RATIO SHOWN IN TABLES IS NOT EXCEEDED.
3. CONCRETE MATERIAL
 - 3.1. REQUIREMENTS FOR CONCRETE MATERIAL
 - 3.1.1. CLASS OF EXPOSURE: A-1, S-2
 - 3.1.2. MINIMUM COMPRESSIVE STRENGTH AT 28 DAYS: 35MPa
 - 3.1.3. MAXIMUM WATER-CEMENT RATIO: 0.40
 - 3.1.4. AIR CONTENT: 5%-8%
 - 3.1.5. CEMENT TYPE: HS/HSb
 - 3.2. CONCRETE COVER TO OUTSIDE LAYER OF REINFORCING STEEL TO BE 50mm AT ALL LOCATIONS UNLESS NOTED OTHERWISE.
4. REINFORCING STEEL
 - 4.1.1. BARS TO BE BILLET STEEL, DEFORMED TO GRADE 400, PLAIN FINISH.
 - 4.1.2. PROVIDE LAP LENGTHS ON CORNER BARS AS FOLLOWS:
 - 10M = 450mm
 - 15M = 750mm
 - 20M = 900mm
 - 25M = 1300mm
 - 30M = 1600mm
 - 35M = 1900mm
 TRIM AT PIPE OPENINGS AS REQUIRED.
5. FOUNDATION
 - 5.1. EXCAVATE IN-SITU MATERIAL TO UNDERSIDE OF BOTTOM SLAB ELEVATION.
 - 5.2. ENSURE SURFACE IS VIRGIN, UNDISTURBED MATERIAL. OVER EXCAVATE IF REQUIRED.
 - 5.3. EXCAVATE DEPTH EQUAL TO BOTTOM SLAB THICKNESS TO MAXIMUM OF 600mm.
 - 5.4. BOULDERS AND COBBLES NOT PERMITTED TO PROTRUDE IN DEPTH OF GRANULAR BASE.
 - 5.5. SUBGRADE MATERIAL TO BE REVIEWED AND DEEMED ACCEPTABLE BY A PROFESSIONAL GEOTECHNICAL ENGINEER PRIOR TO PLACEMENT OF GRANULAR BASE.
 - 5.6. GRANULAR MATERIAL TO CONFORM TO C.O.S. SPECIFICATION 03001 ITEM 3.2.7.
 - 5.7. DO NOT PLACE GRANULAR MATERIAL ON DESICCATED, FROZEN, OR WET SUBGRADE.
 - 5.8. PLACE GRANULAR MATERIAL IN 150mm LIFTS COMPACTED TO 98% STANDARD PROCTOR DENSITY.
6. MISCELLANEOUS REQUIREMENTS
 - 6.1. CONTRACTOR TO SUPPLY AND PLACE CHAMBER, MANHOLE BARRELS AND CONE, LADDER RUNGS, WALL PIPE RAIL, FRAME AND LOCKING COVER. SEE CITY OF SASKATOON STANDARDS FOR MORE INFORMATION.

NOTE:

THESE NOTES AND SCHEDULES TO BE USED IN CONJUNCTION WITH DRAWINGS
 102-0011-029 - SECTIONS & DETAILS
 102-0011-030 - CAST-IN-PLACE DETAILS

NOTE: CONCRETE THICKNESS AND REINFORCING GOVERNED BY LARGEST PIPE ENTERING THE CHAMBER

MANHOLE TYPE	BOTTOM SLAB			ALL WALLS								TOP SLAB		
	THICKNESS T1	HORIZONTAL		THICKNESS T2	HORIZ. & VERT.					CORNERS		THICKNESS T3	HORIZONTAL	
		"A" BARS UPPER FACE	"B" BARS LOWER FACE		"C" BARS OUTSIDE	"D" BARS INSIDE	"E" BARS EACH FACE	HEIGHT "H"	STIRRUPS "H"	"G" BARS VERTICAL	"G" BARS TIES		"F" BARS UPPER FACE	"G" BARS LOWER FACE
1050-1350	300	15M @ 200	10M @ 200	300	10M @ 150	10M @ 250	3-15M	450	10M @ 250	5-20M	A-10M @ 300	250	10M @ 250	20M @ 200
1500	300	15M @ 150	10M @ 150	300	15M @ 250	10M @ 250	4-15M	600	10M @ 250	5-20M	A-10M @ 300	275	10M @ 250	20M @ 200
1800	300	20M @ 175	15M @ 175	300	15M @ 225	10M @ 225	4-15M	800	10M @ 250	5-20M	A-10M @ 300	300	10M @ 250	20M @ 175
2100	325	20M @ 150	15M @ 150	300	15M @ 150	10M @ 150	5-15M	800	10M @ 250	7-20M	B-10M @ 300	300	10M @ 250	25M @ 200
2400	350	25M @ 225	20M @ 225	325	20M @ 225	15M @ 225	4-20M	800	10M @ 250	7-20M	B-10M @ 300	325	10M @ 250	25M @ 175
3000	400	25M @ 175	20M @ 175	375	20M @ 150	15M @ 150	5-20M	800	10M @ 200	7-20M	B-10M @ 300	375	10M @ 250	25M @ 150

MAINTENANCE HOLE CHAMBERS LESS THAN 12 METERS DEEP

NOTE: CONCRETE THICKNESS AND REINFORCING GOVERNED BY LARGEST PIPE ENTERING THE CHAMBER

MANHOLE TYPE	BOTTOM SLAB			ALL WALLS								TOP SLAB		
	THICKNESS T1	HORIZONTAL		THICKNESS T2	HORIZ. & VERT.					CORNERS		THICKNESS T3	HORIZONTAL	
		"A" BARS UPPER FACE	"B" BARS LOWER FACE		"C" BARS OUTSIDE	"D" BARS INSIDE	"E" BARS EACH FACE	HEIGHT "H"	STIRRUPS "H"	"G" BARS VERTICAL	"G" BARS TIES		"F" BARS UPPER FACE	"G" BARS LOWER FACE
1050-1350	400	25M @ 200	15M @ 200	350	15M @ 250	10M @ 250	4-15M	600	10M @ 250	7-20M	B-10M @ 300	350	10M @ 250	20M @ 150
1500	400	30M @ 250	20M @ 250	350	15M @ 200	10M @ 200	3-20M	600	10M @ 250	7-20M	B-10M @ 300	350	10M @ 250	25M @ 200
1800	400	30M @ 200	20M @ 200	350	20M @ 225	15M @ 225	5-20M	800	10M @ 250	7-20M	B-10M @ 300	400	10M @ 250	25M @ 200
2100	450	30M @ 200	20M @ 200	400	20M @ 200	15M @ 200	5-20M	800	10M @ 250	7-20M	B-10M @ 300	450	10M @ 250	30M @ 225
2400	500	30M @ 175	20M @ 175	450	20M @ 175	15M @ 175	5-20M	800	10M @ 200	7-25M	B-10M @ 400	450	10M @ 250	30M @ 200
3000	600	35M @ 200	25M @ 200	550	25M @ 225	20M @ 225	4-25M	1000	10M @ 150	10-25M	C-10M @ 400	550	10M @ 250	30M @ 175

MAINTENANCE HOLE CHAMBERS LESS THAN 20 METERS DEEP

NOTE: CONCRETE THICKNESS AND REINFORCING GOVERNED BY LARGEST PIPE ENTERING THE CHAMBER

MANHOLE TYPE	BOTTOM SLAB			ALL WALLS								TOP SLAB		
	THICKNESS T1	HORIZONTAL		THICKNESS T2	HORIZ. & VERT.					CORNERS		THICKNESS T3	HORIZONTAL	
		"A" BARS UPPER FACE	"B" BARS LOWER FACE		"C" BARS OUTSIDE	"D" BARS INSIDE	"E" BARS EACH FACE	HEIGHT "H"	STIRRUPS "H"	"G" BARS VERTICAL	"G" BARS TIES		"F" BARS UPPER FACE	"G" BARS LOWER FACE
1050-1350	500	30M @ 225	20M @ 225	400	20M @ 250	15M @ 250	4-20M	600	10M @ 250	7-20M	B-10M @ 300	400	10M @ 250	25M @ 175
1500	550	30M @ 225	20M @ 225	450	20M @ 250	15M @ 250	3-25M	600	10M @ 250	7-20M	B-10M @ 300	450	10M @ 250	30M @ 225
1800	600	30M @ 200	20M @ 200	500	20M @ 225	15M @ 225	3-25M	800	10M @ 250	7-25M	B-10M @ 400	500	10M @ 250	30M @ 200
2100	700	30M @ 175	20M @ 175	550	20M @ 175	15M @ 175	3-25M	800	10M @ 150	10-25M	C-10M @ 400	550	10M @ 250	35M @ 225
2400	750	35M @ 225	25M @ 225	650	25M @ 250	20M @ 250	4-25M	1000	10M @ 150	10-25M	C-10M @ 400	650	10M @ 250	35M @ 200
3000	900	35M @ 150	25M @ 175	750	30M @ 250	25M @ 250	4-30M	1000	10M @ 100	10-25M	C-10M @ 400	750	10M @ 250	35M @ 200

ALL DIMENSIONS IN mm (MILLIMETRES) UNLESS NOTED OTHERWISE

11			
10			
9			
8			
7			
6			
5			
4			
3			
2	REVISED AIR CONTENT FROM 4%-7% TO 5%-8%	2017-JAN-25	HLO
1	DESIGN PROVIDED BY WSP - 203 WELLMAN CRES. - SASKATOON	2014-JUN-23	J.W.C.
	PLAN DESCRIPTION/REVISION	DATE	BY

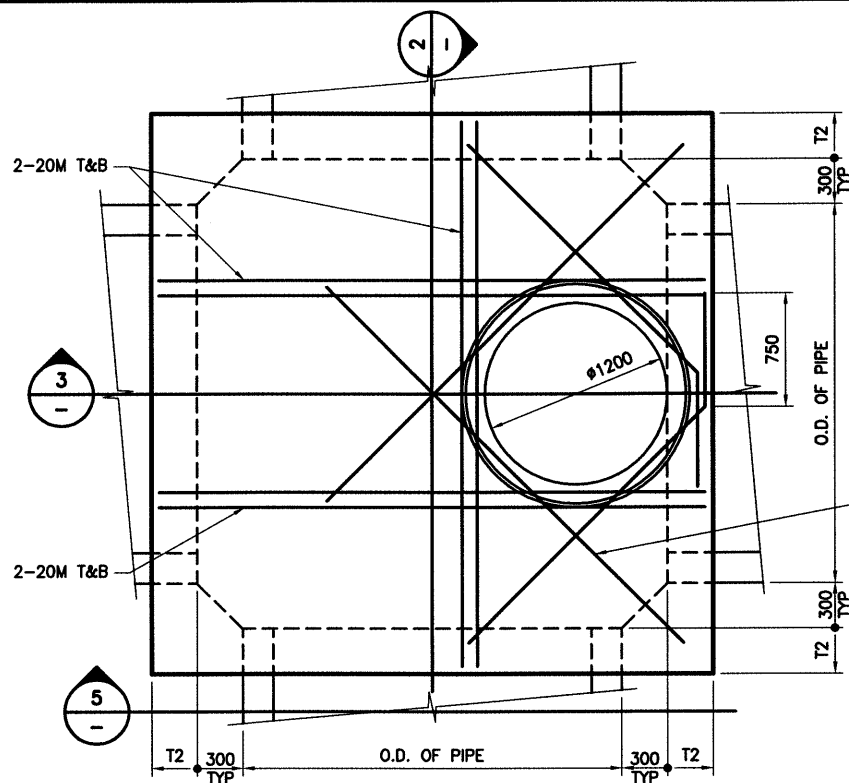
A TRUE COPY OF SEALED ENGINEERED DRAWING ON RECORD AT SASKATOON WATER

SCALES:
 HOR. NTS
 VERT. NTS
 DRAWN BY J.W.C. AT WSP (GENIVAR)
 DATE 2014-APR-2

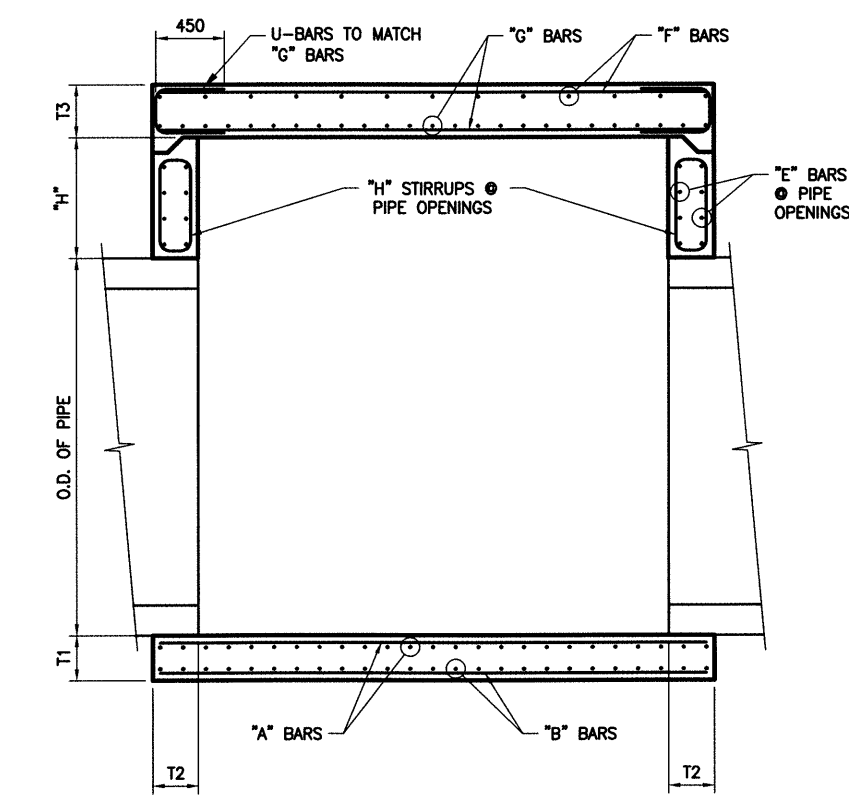


STD. M.H. TYPES FOR LARGE SEWERS
 NOTES AND SCHEDULES
 FOR SEWERS LESS THAN
 20 METERS DEEP

J.W.C.
 CHIEF ENGINEER
 2017
 DATE
 2017
 DATE
 2017
 DATE
 SHEET NO. 102-0011-028r002
 PLAN NO. 102-0011-028r002

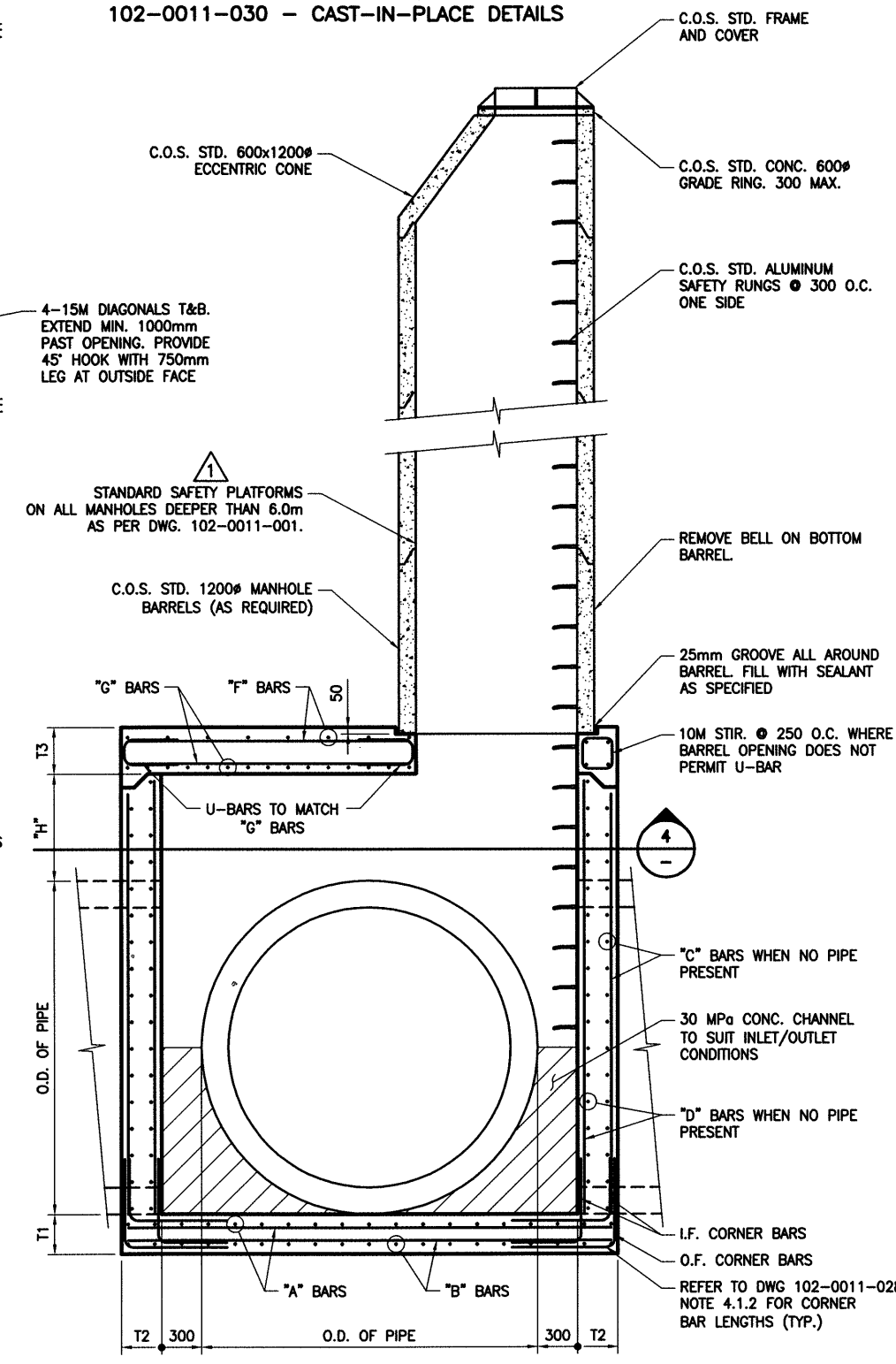


1 PLAN-TOP SLAB



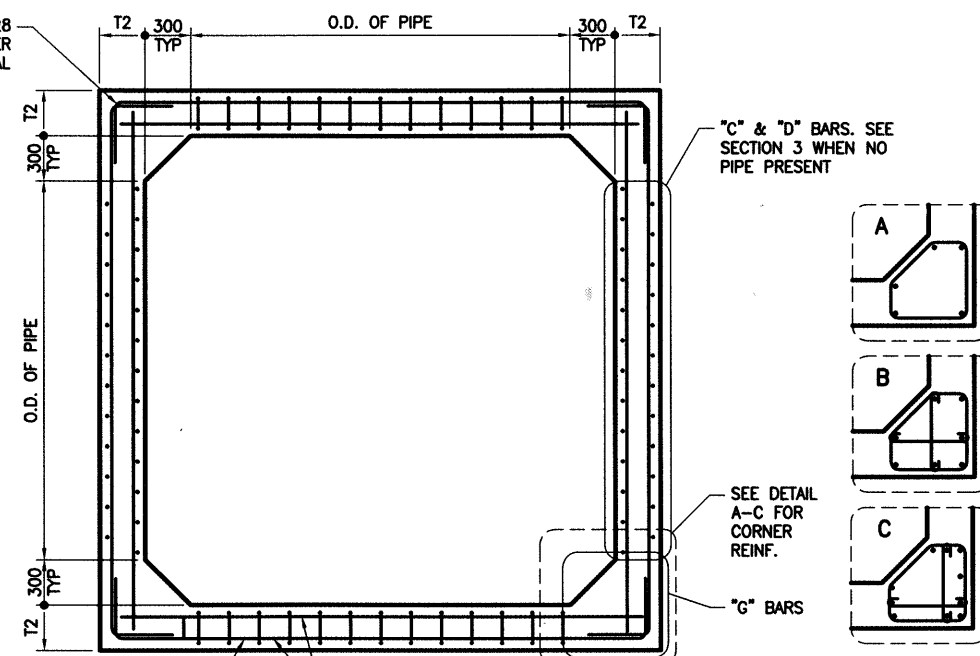
2 SECTION

NOTE:
 THESE SECTIONS AND DETAILS TO BE
 USED IN CONJUNCTION WITH DRAWINGS
 102-0011-028 - NOTES AND SCHEDULES
 102-0011-030 - CAST-IN-PLACE DETAILS

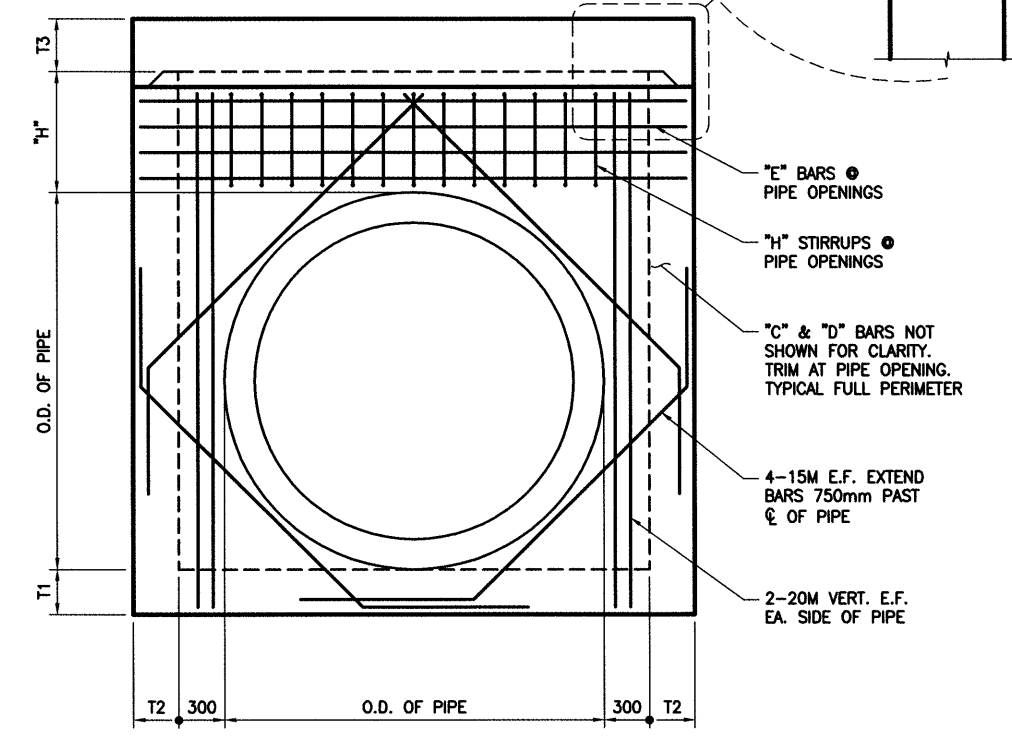


3 SECTION

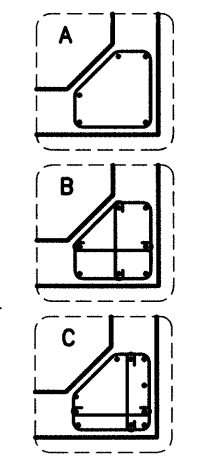
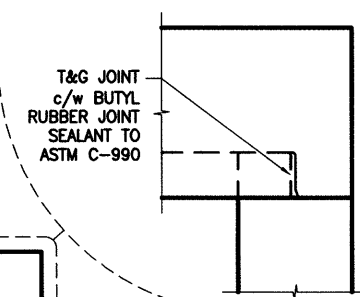
REFER TO DWG 102-0011-028
 NOTE 4.1.2. FOR CORNER
 BAR LENGTH. TYPICAL



4 SECTION



5 SECTION



ALL DIMENSIONS IN mm (MILLIMETRES) UNLESS NOTED OTHERWISE

NO.	REVISION	DATE	BY	SEAL
10				
9				
8				
7				
6				
5				
4				
3				
2				
1	REMOVED SAFETY RAIL - ADDED REFERENCE TO SAFETY PLATFORMS	2014-DEC-19	HLO	
	DESIGN PROVIDED BY WSP - 203 WELLMAN CRES. - SASKATOON	2014-JUN-23	J.W.C.	
	PLAN DESCRIPTION/REVISION	DATE	BY	SEAL

APPROVED BY:	APPROVED BY:
DATE	DATE
DRAWN BY J.W.C. AT WSP (GENVAR)	DATE 2014-APR-2

City of Saskatoon
 Transportation & Utilities Department

STD. M.H. TYPES FOR LARGE SEWERS
 SECTIONS AND DETAILS
 FOR SEWERS LESS THAN
 20 METERS DEEP

SHEET NO.		PLAN NO.	
		102-0011-029r002	
SCALE:		DATE	
HOR. NTS		Dec 19, 14	
VERT. NTS			

CAST-IN-PLACE CONSTRUCTION

GENERAL NOTES AND SPECIFICATIONS

1. GENERAL NOTES

- 1.1 ALL WORK SHALL CONFORM TO SPECIFICATIONS LISTED ON DRAWINGS 102-0011-028 AND 102-0011-029 UNLESS OTHERWISE STATED.
- 1.2 WORK SHALL CONFORM TO THE CURRENT EDITION OF THE FOLLOWING CODES AND STANDARDS:
 - 1.2.1. CAN/CSA-A23.1 CONCRETE MATERIALS AND METHODS OF CONCRETE CONSTRUCTION
 - 1.2.2. CAN/CSA-A23.3 DESIGN OF CONCRETE STRUCTURES
 - 1.2.3. CAN/CSA-G30.18 CARBON STEEL BARS FOR CONCRETE REINFORCEMENT
 - 1.2.4. CAN/CSA-S6 CANADIAN HIGHWAY BRIDGE DESIGN CODE
 - 1.2.5. CAN/CSA-A257 STANDARDS FOR CONCRETE PIPE AND MANHOLE SECTIONS
- 1.3. DEVIATION FROM THE DESIGN SHOWN IS PERMITTED ONLY BY APPROVAL OF THE ENGINEER AND WITH SUBMISSION OF SITE SPECIFIC SHOP DRAWING SEALED BY A PROFESSIONAL ENGINEER LICENSED IN THE PROVINCE OF SASKATCHEWAN.

- 2. CONSTRUCT CAST-IN-PLACE MANHOLE ACCORDING TO THE GEOMETRY AND REINFORCING PROVIDED ON DRAWING 102-0011-028. CONFIRM ARRANGEMENT, ORIENTATION, DIAMETERS AND QUANTITY OF INLETS AND OUTLET PIPES WITH CONTRACTOR. DESIGN OF MANHOLE CHAMBER TO BE GOVERNED BY LARGEST PIPE ENTERING THE CHAMBER AND DEPTH OF CHAMBER FROM FINAL GRADE TO TOP OF SLAB.

3. CONCRETE TESTING

- 3.1. CONCRETE TESTING SHALL FOLLOW SECTION 06005 - READY MIX CONCRETE IN THE CITY OF SASKATOON STANDARD CONSTRUCTION SPECIFICATIONS.

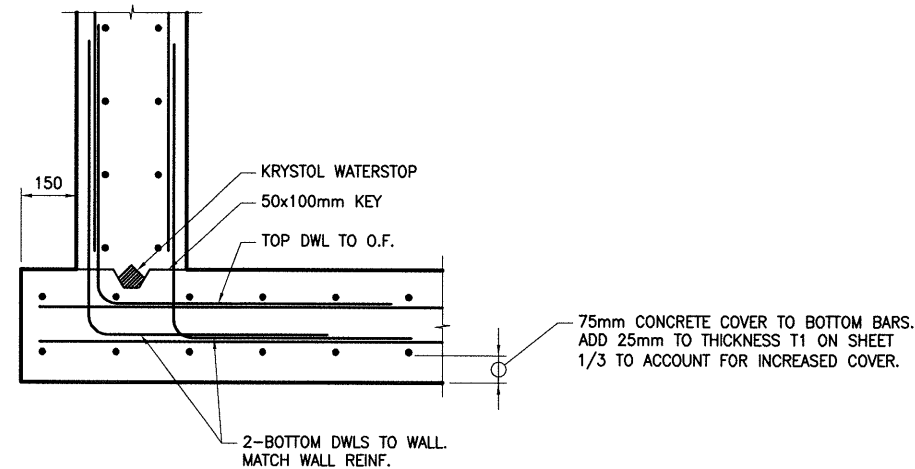
4. CAST-IN-PLACE CONCRETE TO BE IN ACCORDANCE WITH THE FOLLOWING TABLE:

STRENGTH f'c (MPa)	CEMENT SYMBOL	CLASS OF EXPOSURE	MAX AGGREGATE (mm)	SLUMP (mm)	TOTAL AIR %
35	HS/HSb	A-1, S-2	20	75±25	5-8

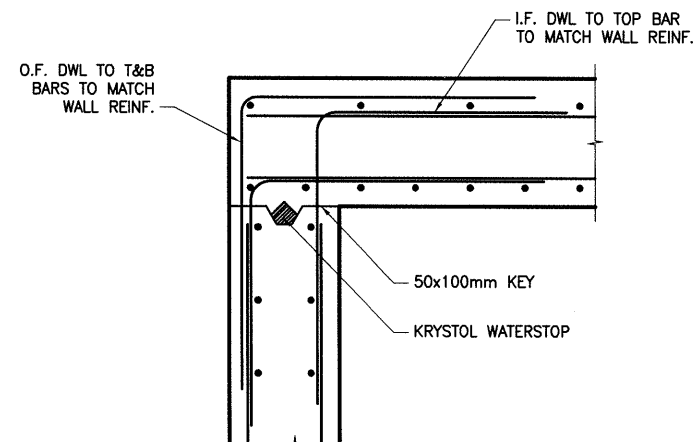
ADDITION OF SUPERPLASTICIZOR TO ACHIEVE WORKABLE MIX IS PERMITTED. TEST SUMP BEFORE AND AFTER ADDITION OF SUPERPLASTICIZOR.

5. CEMENTITIOUS WATERPROOFING

- 5.1. HORIZONTAL CONSTRUCTION JOINTS:
 - KRYSTOL WATERSTOP SYSTEM (INTERNAL)
- 5.2. FORM-TIE HOLES, MINOR HONEYCOMB AREAS SHALL BE CHIPPED BACK AND PATCHED WITH KRYSTOL WATERSTOP GROUT.



1 BASE SLAB TO WALL DETAIL



2 WALL TO TOP SLAB DETAIL

NOTE:

THESE CAST-IN-PLACE DETAILS TO BE USED IN CONJUNCTION WITH DRAWINGS 102-0011-028 - NOTES AND SCHEDULES 102-0011-029 - SECTIONS AND DETAILS

ALL DIMENSIONS IN mm (MILLIMETRES) UNLESS NOTED OTHERWISE

10				
9				
8				
7				
6				
5				
4				
3				
2				
1	REVISED AIR CONTENT FROM 4%-7% TO 5%-8%	2017-JAN-25	HLO	
	DESIGN PROVIDED BY WSP - 203 WELLMAN CRES. - SASKATOON	2014-JUN-23	J.W.C.	
	PLAN DESCRIPTION/REVISION	DATE	BY	SEAL

A TRUE COPY OF SEALED ENGINEERED DRAWING ON RECORD AT SASKATOON WATER

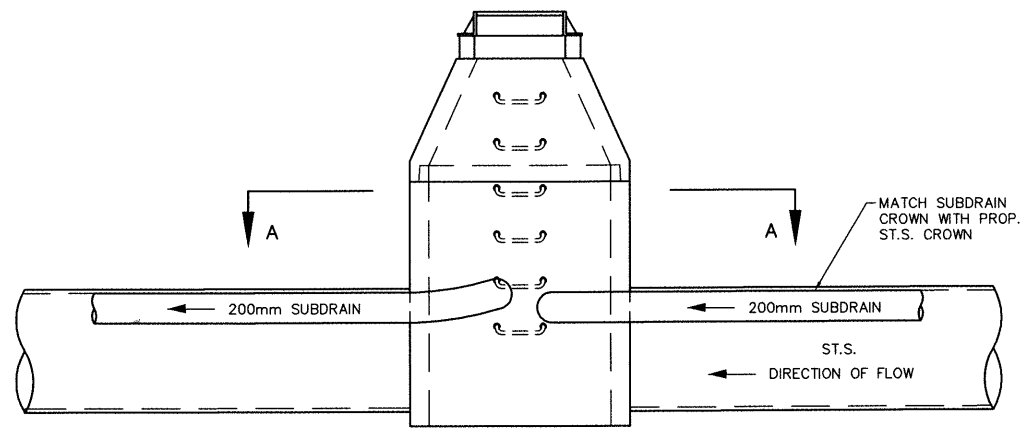
SCALES:
HOR. NTS
VERT. NTS
DRAWN BY J.W.C. AT WSP (GENIVAR)
DATE 2014-APR-2

City of Saskatoon
Transportation & Utilities Department

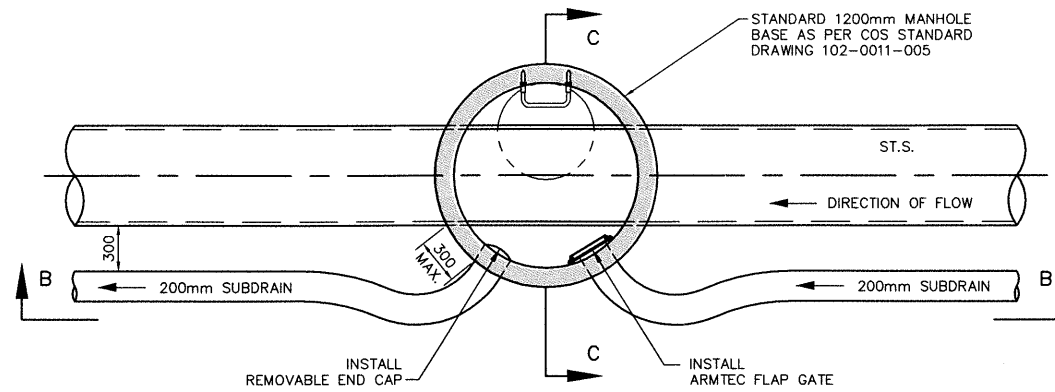
STD. M.H. TYPES FOR LARGE SEWERS
CAST-IN-PLACE DETAILS

FOR SEWERS LESS THAN
20 METERS DEEP

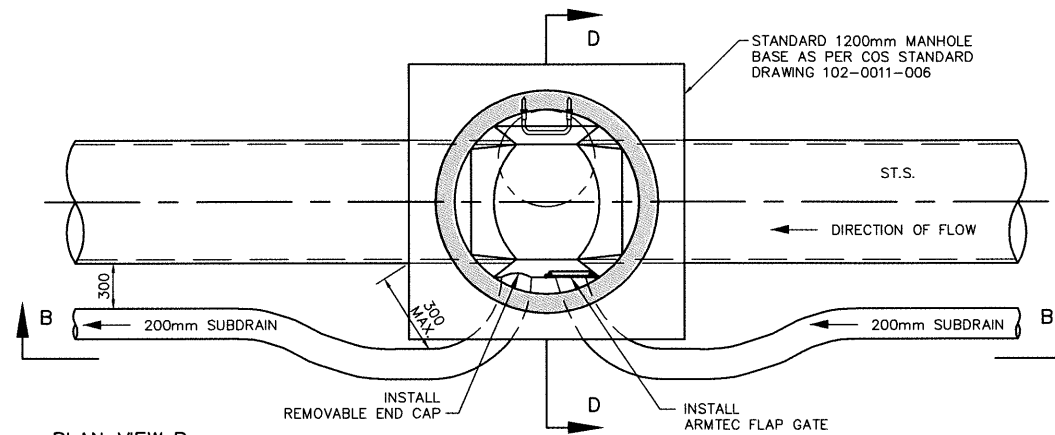
CHIEF ENGINEER: [Signature] 30/01/17 DATE
ENGINEER: [Signature] JAN 30, 2017 DATE
SHEET NO. 102-0011-030r002
PLAN NO. 102-0011-030r002



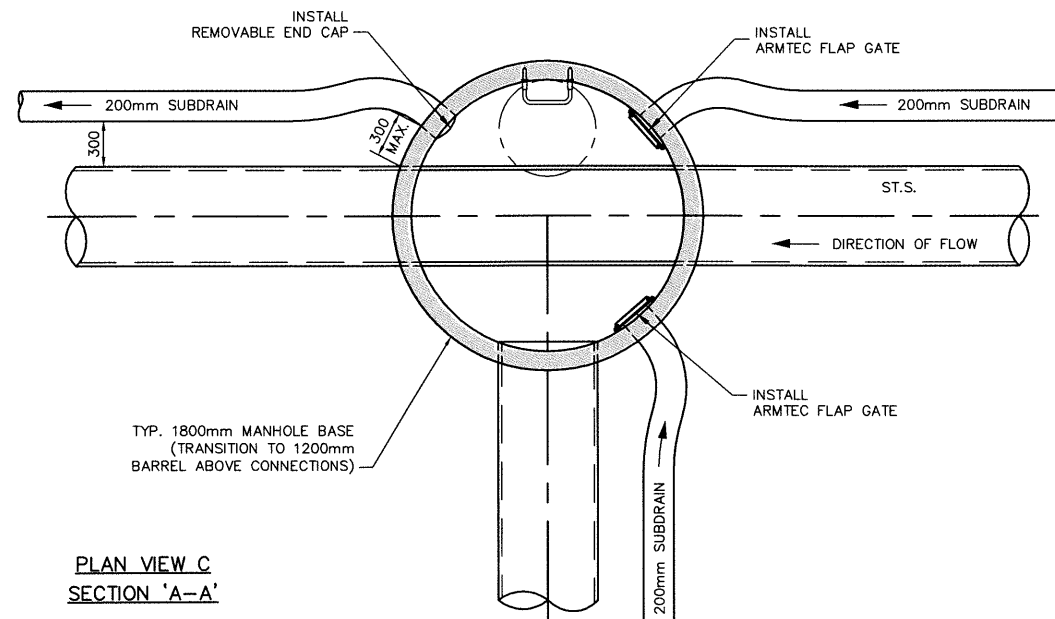
SECTION 'B-B'



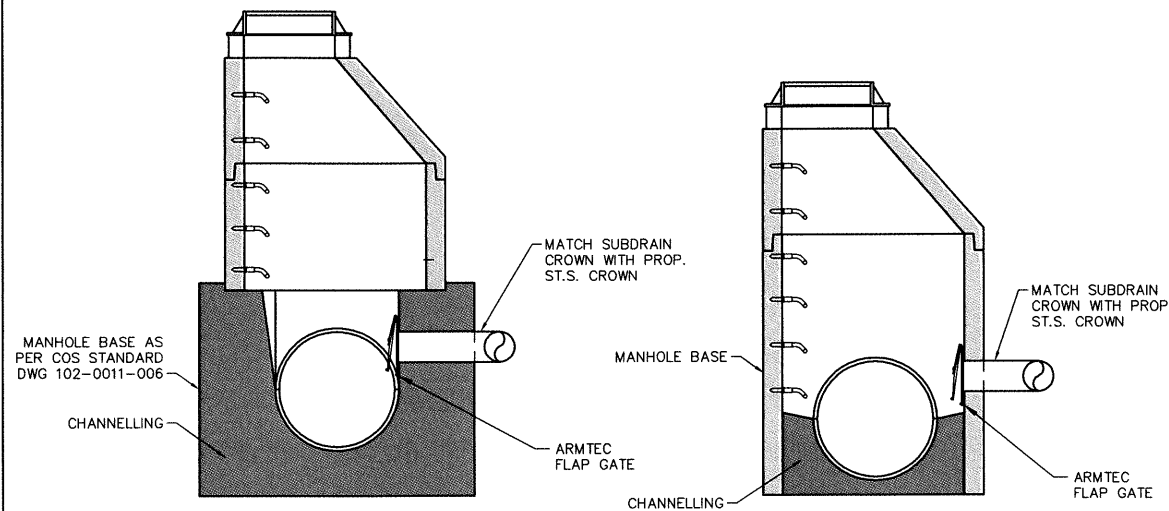
PLAN VIEW A
SECTION 'A-A'



PLAN VIEW B
SECTION 'A-A'



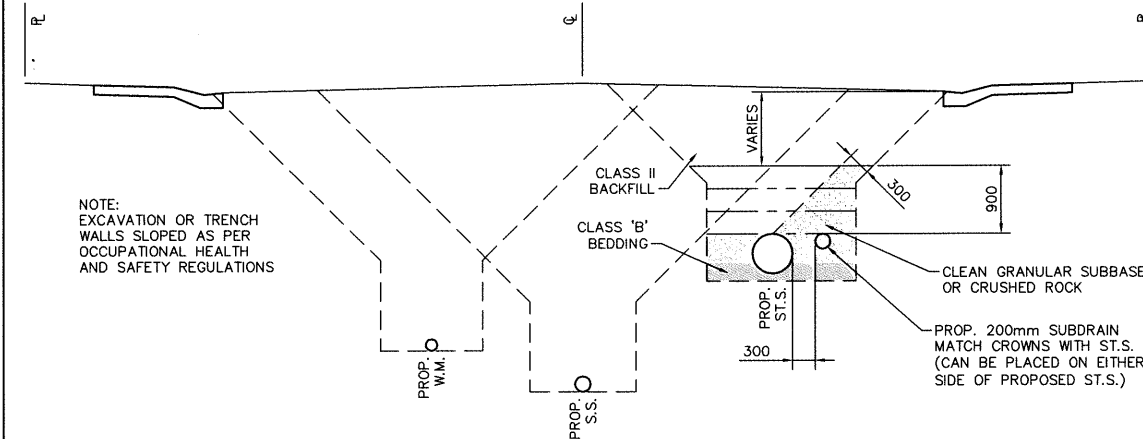
PLAN VIEW C
SECTION 'A-A'



SECTION 'D-D'

SECTION 'C-C'

TYPICAL S.T.S. MANHOLE SUBDRAIN CONNECTIONS



TYPICAL SUBDRAIN COMBINED WITH STORM SEWER

NOTES:

- PIPE SHALL BE BOSS 2000 HDPE FACTORY PERFORATED SUBDRAIN OR APPROVED EQUIVALENT AND SHALL BE CONSTRUCTED WITH ARMTEC WOVEN GEOTEXTILE SOCK OR APPROVED EQUIVALENT.
- PIPE SHALL BE EMBEDDED IN CLEAN GRANULAR SUBBASE OR CRUSHED ROCK AS PER COS STANDARD CONSTRUCTION SPECIFICATIONS UNLESS OTHERWISE NOTED.
- SUBDRAIN SHALL BE GRADED PARALLEL TO S.T.S. PIPE AND SHALL BE CONNECTED TO S.T.S. MANHOLES AT ALL INTERSECTIONS.
- ARMTEC MODEL 20C FLAP GATE OR EQUIVALENT SHALL BE INSTALLED AT ALL DOWNSTREAM CONNECTIONS TO S.T.S. MANHOLES AS PER MANUFACTURER'S INSTALLATION GUIDELINES AND RECOMMENDATIONS.
- REMOVABLE END CAPS c/w SNAP ADAPTERS SHALL BE INSTALLED AT ALL UPSTREAM CONNECTIONS TO S.T.S. MANHOLES.
- A MINIMUM OF 300mm HORIZONTAL AND 150mm VERTICAL SEPARATION SHALL BE MAINTAINED BETWEEN PIPES IN COMMON TRENCH.
- BACKFILL & COMPACT CLAY & GRANULAR MATERIAL SIMULTANEOUSLY IN 300mm LIFTS.
- LOCATION & ELEVATION OF SUBDRAIN CONNECTION SHALL BE DETERMINED IN THE FIELD.
- ALIGNMENT OF SUBDRAIN CONNECTION TO MANHOLE (UPSTREAM & DOWNSTREAM) SHALL BE DETERMINED IN THE FIELD AND AS PER TABLE 1.
- FOR MANHOLES WITH TEE OR CROSS STORM SEWER JUNCTION TYPE, THE ALIGNMENT OF SUBDRAIN CONNECTION TO MANHOLE (UPSTREAM & DOWNSTREAM) SHALL BE DESIGNED TO HAVE SUBDRAINS CONNECTING ON DIFFERENT SIDES OF THE MANHOLE. A LARGER MANHOLE MAY ALSO BE APPROVED WITH A MINIMUM SPACING OF 300mm BETWEEN EACH PIPE OR SUBDRAIN.

TABLE 1
SUBDRAIN CONNECTION TO STORM MANHOLE

STORM SEWER SIZE (mm)	MANHOLE/ST. SEWER JUNCTION TYPE	CONSTRUCTION COMMENTS
300 - 600	STRAIGHT THROUGH	USE STANDARD COS 1200mm MANHOLE BASE AND MAKE CONNECTION AS SHOWN IN THE PLAN VIEW A & SECTION B-B & SECTION C-C
675 - 900	STRAIGHT THROUGH	USE STANDARD COS 1200mm MANHOLE BASE AS PER STANDARD COS DRAWING 102-0011-006 AND MAKE CONNECTION AS SHOWN IN PLAN B & SECTION D-D
300 - 600	TEE OR CROSS	USE STANDARD 1800mm MANHOLE BASE AND MAKE CONNECTION AS SHOWN IN PLAN C & SECTION B-B & SECTION C-C
675 - 900	TEE OR CROSS	USE STANDARD 1800mm MANHOLE BASE OR LARGE SIZE MANHOLE AS PER COS STANDARD DRAWING NUMBER 102-0011-028, 102-0011-029 & 102-0011-029 AND MAKE CONNECTIONS THROUGH CHAMBER WALLS
1050 - LARGER	ALL JUNCTIONS	USE STANDARD LARGE SIZE MANHOLE AS PER COS STANDARD DRAWING NUMBER 102-0011-028, 102-0011-029 & 102-0011-030 AND MAKE CONNECTIONS THROUGH CHAMBER WALLS

DETAILS ARE A VISUAL REPRESENTATION ONLY AND ARE NOT INTENDED TO BE SCALED

DIMENSIONS ARE IN MILLIMETRES UNLESS NOTED OTHERWISE

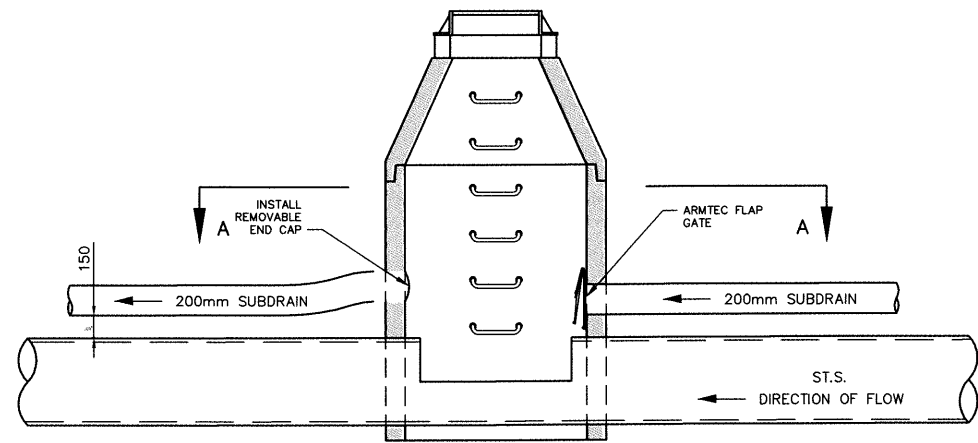
NO.	PLAN DESCRIPTION/REVISION	DATE	BY	SEAL
10				
9				
8				
7				
6				
5				
4				
3				
2	REPOSITIONED FLAP GATE FLUSH AGAINST MANHOLE INTERIOR WALL ADDED NOTE REGARDING EXCAVATION SLOPES AND ADDED NOTE 10	2015-NOV-24	HLO	
1	REVISED SUBDRAIN PLACEMENT	2014-DEC-09	MJ	
	PLAN DESCRIPTION/REVISION	DATE	BY	SEAL

APPROVED BY:	APPROVED BY:
<i>Gate Chen</i>	<i>[Signature]</i>
DATE: Jan. 6, 2016	DATE: 06/01/2016
DRAWN BY: DLH	DATE: 2014-JUL-10

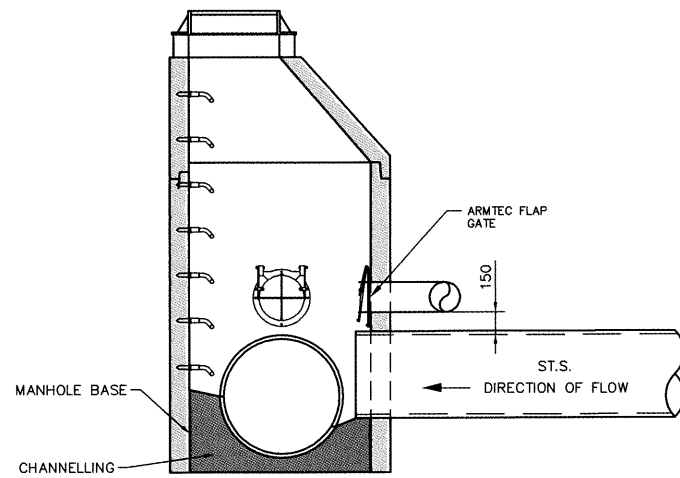
City of Saskatoon
Transportation & Utilities Department

STANDARD S.T.S. SUBDRAIN DETAIL
S.T.S. CROWN DEPTH UP TO 2.3m

ENGINEER: <i>[Signature]</i>	DATE: JAN 08 2016
SCALES: HOR: NTS VERT: _____	
SHEET NO. _____	PLAN NO. 102-0011-031r003

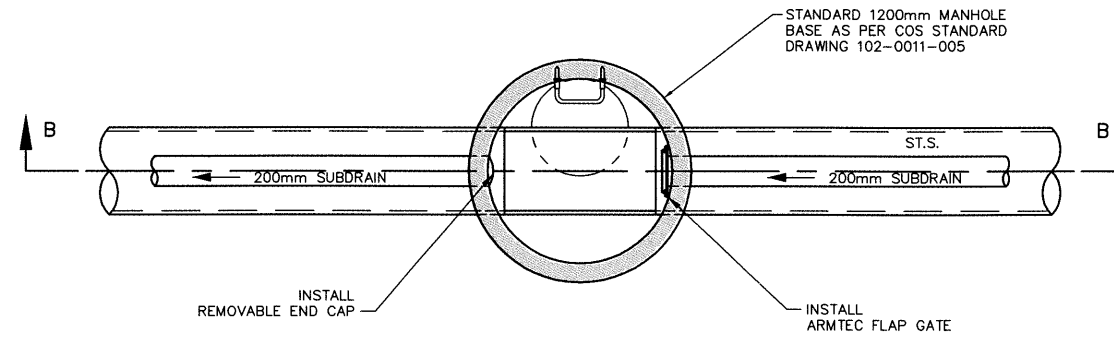


SECTION 'B-B'

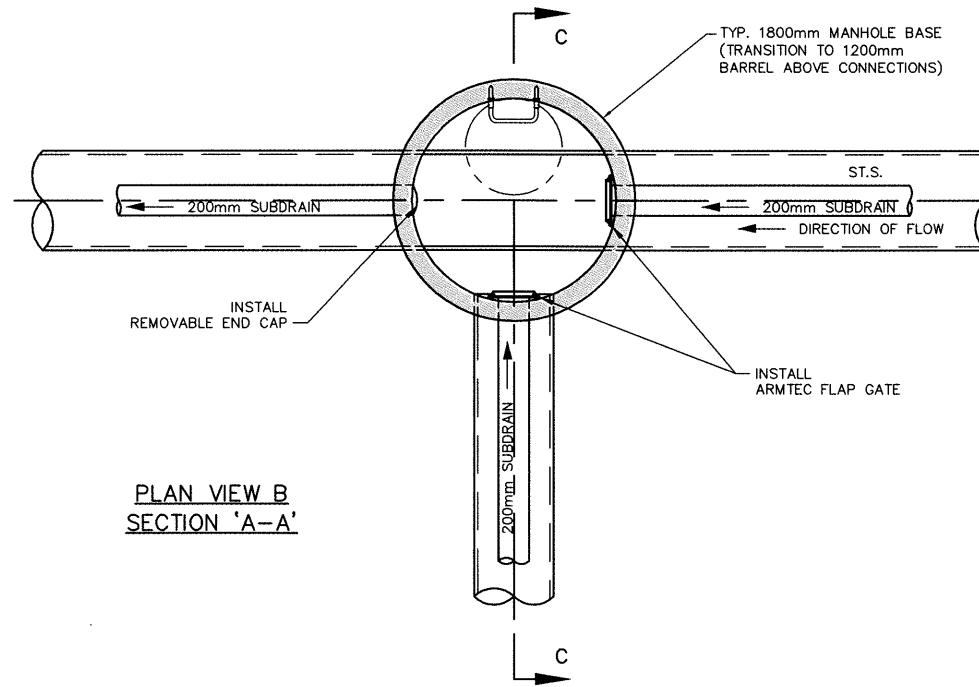


SECTION 'C-C'

TYPICAL ST.S. MANHOLE SUBDRAIN CONNECTION



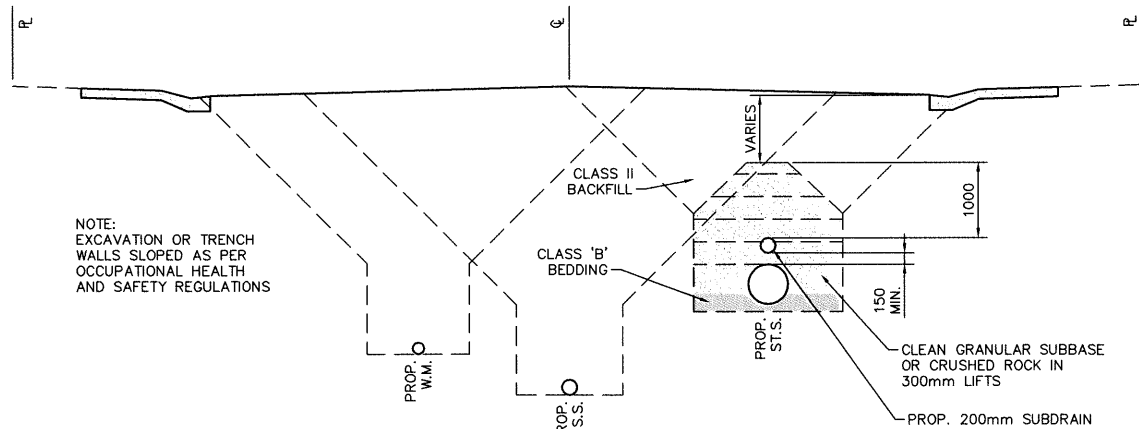
PLAN VIEW A
SECTION 'A-A'



PLAN VIEW B
SECTION 'A-A'

NOTES:

1. PIPE SHALL BE BOSS 2000 HDPE FACTORY PERFORATED SUBDRAIN OR APPROVED EQUIVALENT AND SHALL BE CONSTRUCTED WITH ARMTEC WOVEN GEOTEXTILE SOCK OR APPROVED EQUIVALENT.
2. PIPE SHALL BE EMBEDDED IN CLEAN GRANULAR SUBBASE OR CRUSHED ROCK AS PER COS STANDARD CONSTRUCTION SPECIFICATIONS UNLESS OTHERWISE NOTED.
3. SUBDRAIN SHALL BE GRADED PARALLEL TO ST.S. PIPE AND SHALL BE CONNECTED TO ST.S. MANHOLES AT ALL INTERSECTIONS.
4. ARMTEC MODEL 20C FLAP GATE OR EQUIVALENT SHALL BE INSTALLED AT ALL DOWNSTREAM CONNECTIONS TO ST.S. MANHOLES AS PER MANUFACTURER'S INSTALLATION GUIDELINES AND RECOMMENDATIONS.
5. REMOVABLE END CAPS c/w SNAP ADAPTERS SHALL BE INSTALLED AT ALL UPSTREAM CONNECTIONS TO ST.S. MANHOLES.
6. A MINIMUM OF 300mm HORIZONTAL AND 150mm VERTICAL SEPARATION SHALL BE MAINTAINED BETWEEN PIPES IN COMMON TRENCH.
7. BACKFILL & COMPACT CLAY & GRANULAR MATERIAL SIMULTANEOUSLY IN 300mm LIFTS.
8. LOCATION & ELEVATION OF SUBDRAIN CONNECTION SHALL BE DETERMINED IN THE FIELD.
9. ALIGNMENT OF SUBDRAIN CONNECTION TO MANHOLE (UPSTREAM & DOWNSTREAM) SHALL BE DETERMINED IN THE FIELD AND AS PER DETAIL.



TYPICAL SUBDRAIN COMBINED WITH STORM SEWER

DETAILS ARE A VISUAL REPRESENTATION ONLY AND ARE NOT INTENDED TO BE SCALED

DIMENSIONS ARE IN MILLIMETRES UNLESS NOTED OTHERWISE

10				
9				
8				
7				
6				
5				
4				
3	REPOSITIONED FLAP GATE FLUSH AGAINST MANHOLE INTERIOR WALL AND ADDED NOTE REGARDING EXCAVATION SLOPES.	2015-NOV-24	HLO	
2	REVISE SUBDRAIN & PIPING	2014-DEC-16	MJ	
1	ISSUED FOR CONSTRUCTION	2014-JUL-08	DLH	
	PLAN DESCRIPTION/REVISION	DATE	BY	SEAL

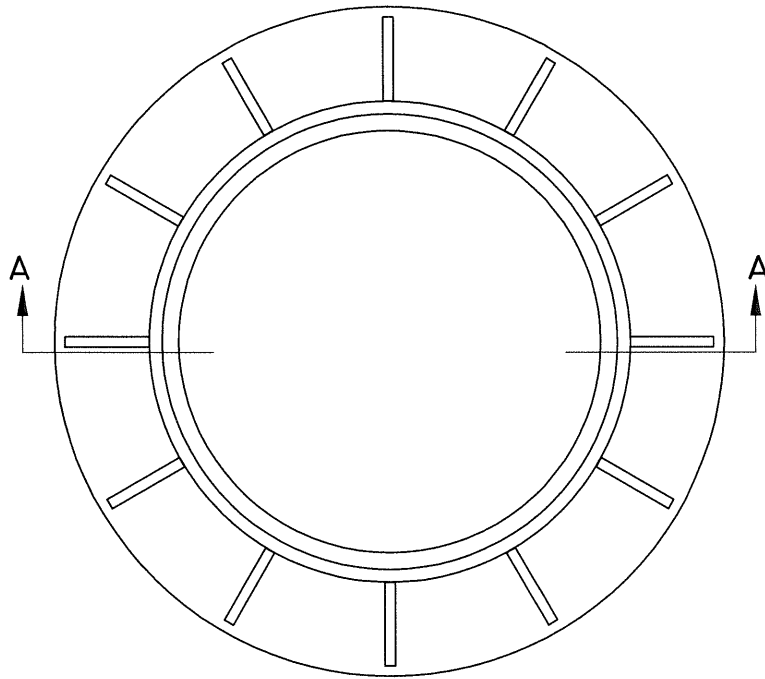
APPROVED BY:	APPROVED BY:
<i>Jake Chen</i>	<i>[Signature]</i>
Jan. 6, 2016	06/01/2016
DATE	DATE
DRAWN BY: DLH	DATE: 2014-JUL-10

City of Saskatoon
Transportation & Utilities Department

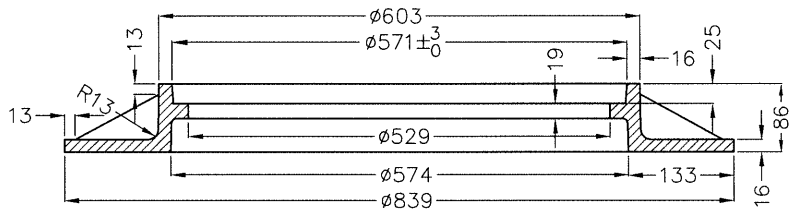
STANDARD ST.S. SUBDRAIN DETAIL
ALTERNATIVE INSTALLATION WHERE
ST.S. CROWN IS DEEPER THAN 2.3m

ENGINEER: *[Signature]*
SCALES: HOR. NTS, VERT. NTS
DATE: JAN 08 2016
SHEET NO. 102-0011-032r003

TO BE USED EXCLUSIVELY
FOR REHABILITATION WORK



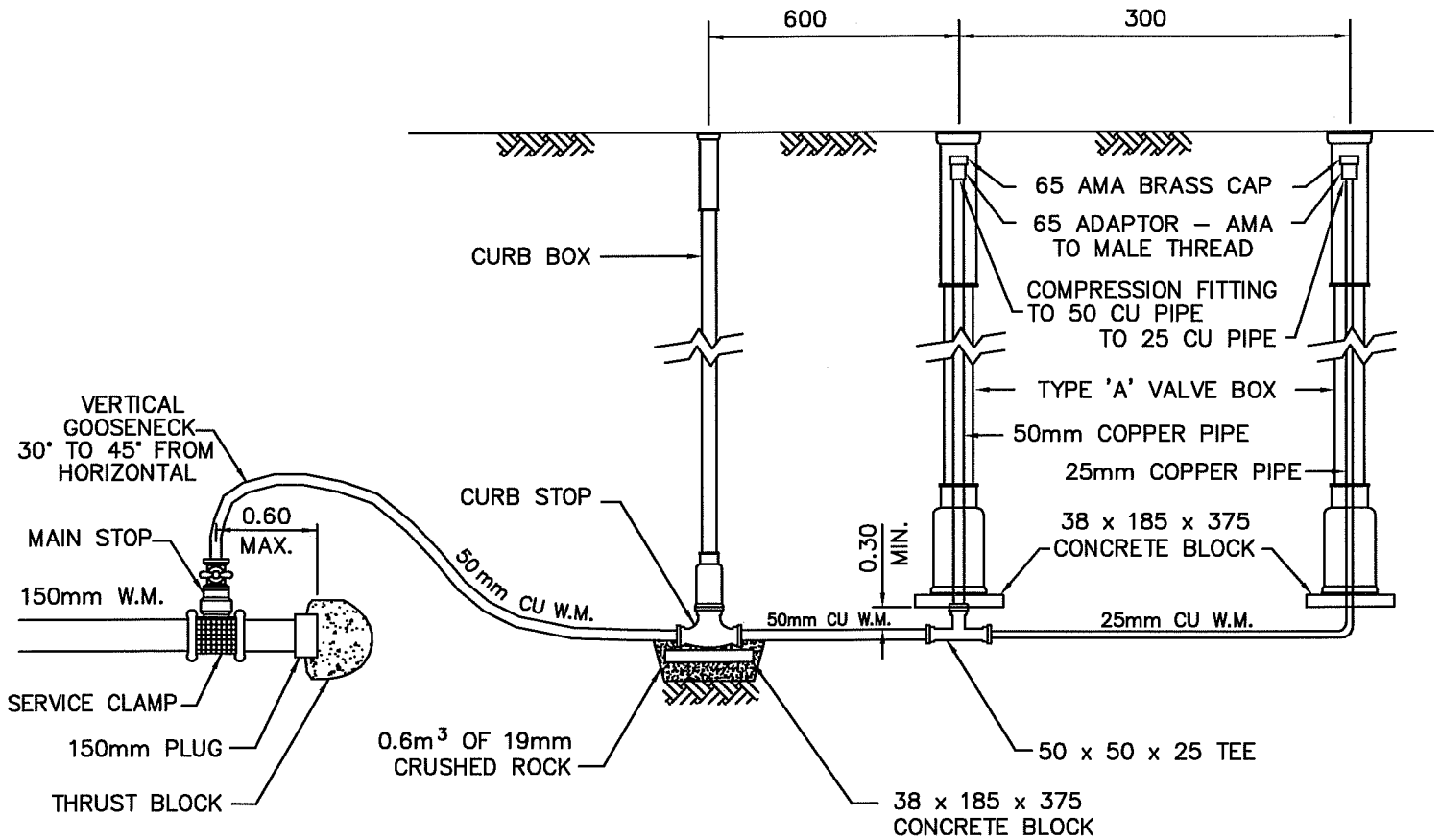
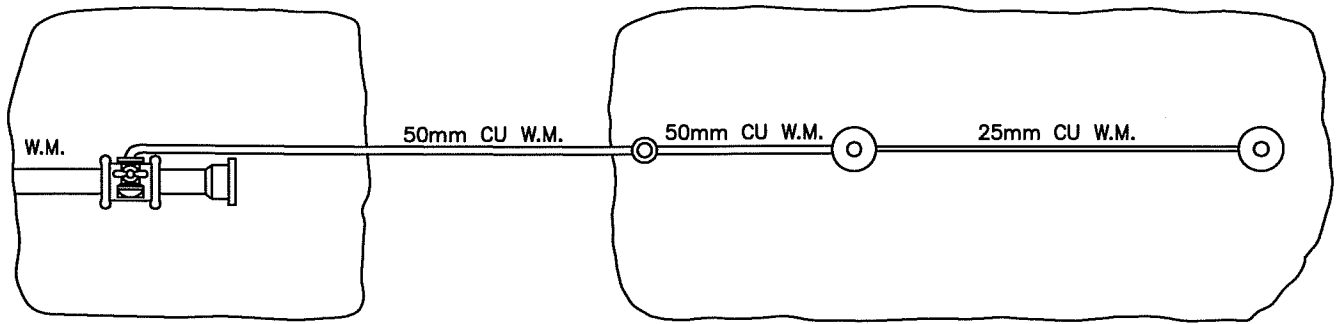
PLAN



SECTION A-A

MEASUREMENTS IN MILLIMETERS

REVISIONS		 City of Saskatoon Transportation & Utilities Department	 CHIEF ENGINEER DATE <u>JAN 30 2017</u>
1			
2			
3			
4			
DRAWN BY <u>HLO</u> DATE <u>2017-JAN-25</u>			
SCALE: HOR. <u>NTS</u> VER. <u>NTS</u>			PLAN NO. 102-0011-034r001



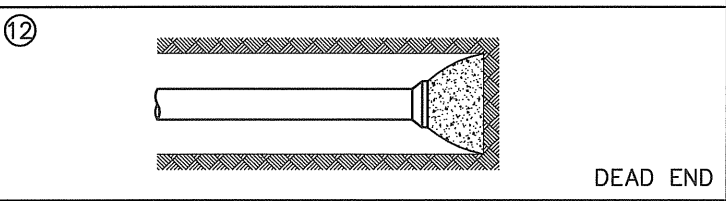
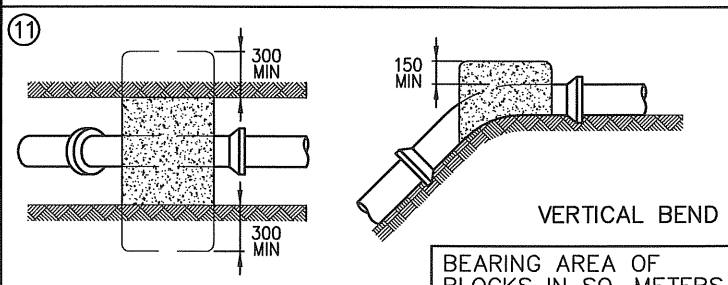
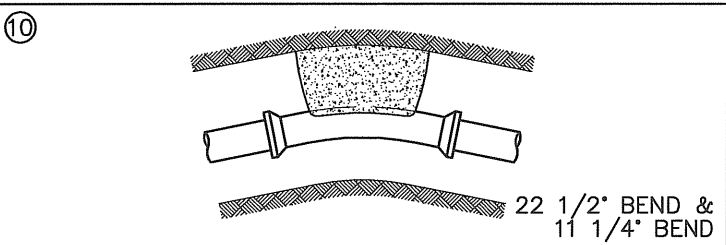
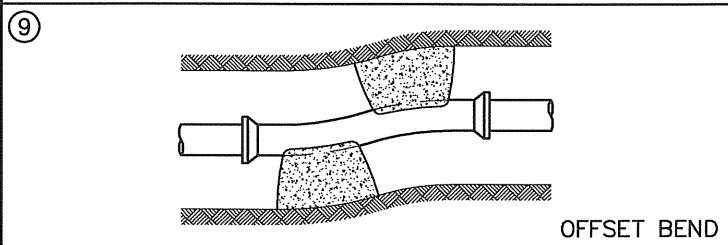
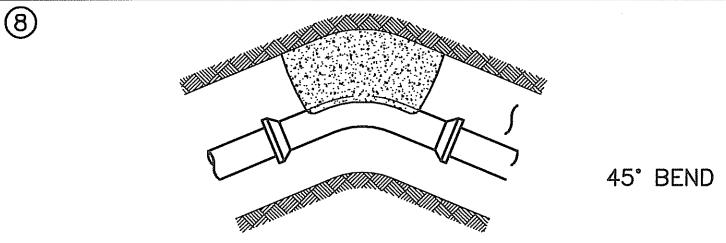
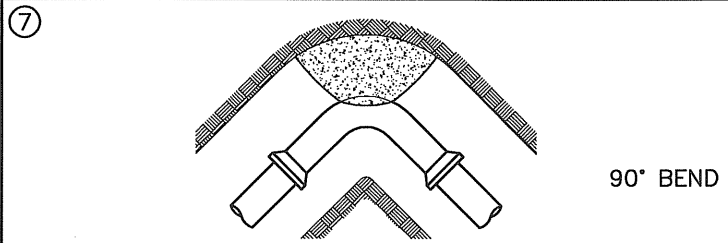
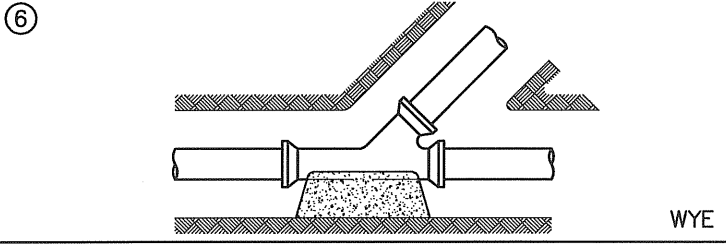
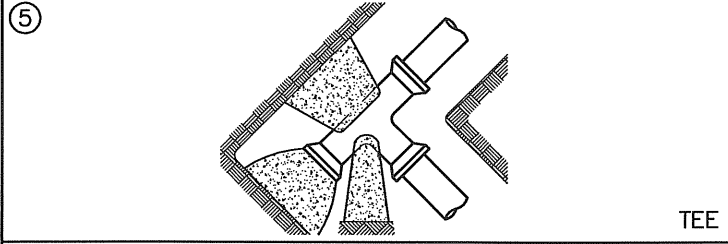
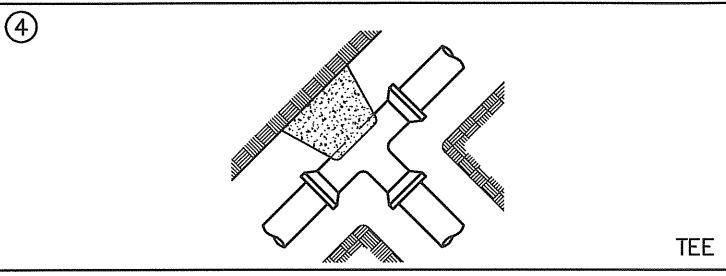
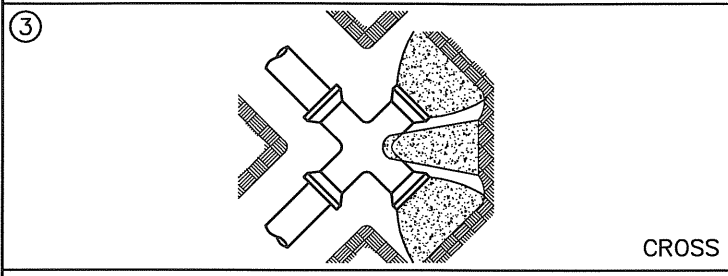
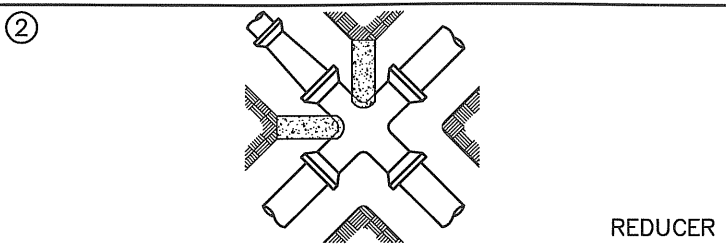
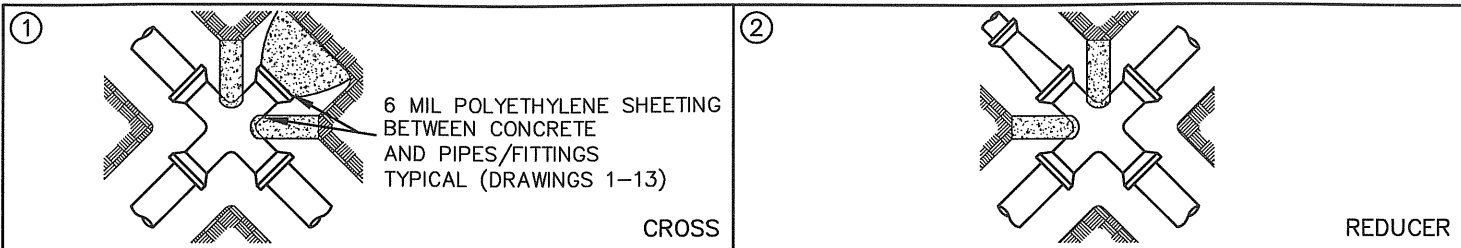
ALL DIMENSIONS IN MILLIMETRES UNLESS OTHERWISE NOTED

REVISIONS	
1	RENUMBERED 2000-08-28 (402-0004-001r001)
2	HLO 2006-01-20
3	ADDED SECOND FLUSHER HLO 2009-12-10
4	HLO 2012-01-05
DRAWN BY MJ	
DATE 99-03-08	



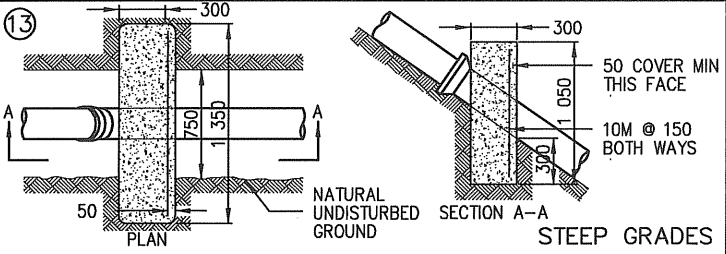
COPPER DEAD END
WATER MAIN FLUSHER

APPROVED	
GENERAL MANAGER	Jwb, 2012 P. ENG.
ENGINEER	
ENGINEER	
SCALES : HOR. NTS VERT.	
PLAN NO. 102-0012-001r004	



BEARING AREA OF BLOCKS IN SQ. METERS

DWG. NO.	PIPE SIZE						
	100	150	200	250	300	350	400
1, 4, 12	.186	.372	.650	1.022	1.440	1.952	2.602
3, 5, 7	.279	.511	.883	1.440	2.045	2.695	3.532
2	.093	.139	.232	.325	.465	.697	.929
6, 8, 11	.139	.279	.465	.604	1.115	1.394	1.859
10	.093	.139	.279	.418	.588	.836	1.115
9	.279	.558	.976	1.162	2.184	2.974	3.903



NOTE: FOR STEEP SLOPES (FIG. 13) ANCHOR PIPE EVERY SECOND JOINT, BUT IF SOIL CONDITIONS ARE BAD, ANCHOR EVERY JOINT.
 NOTE: 6 MIL POLYETHYLENE SHEETING SHALL BE PLACED BETWEEN THE REACTION BLOCKING AND THE PIPE OR FITTINGS

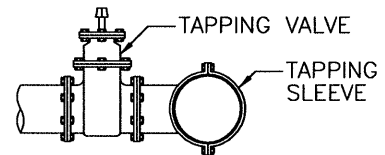
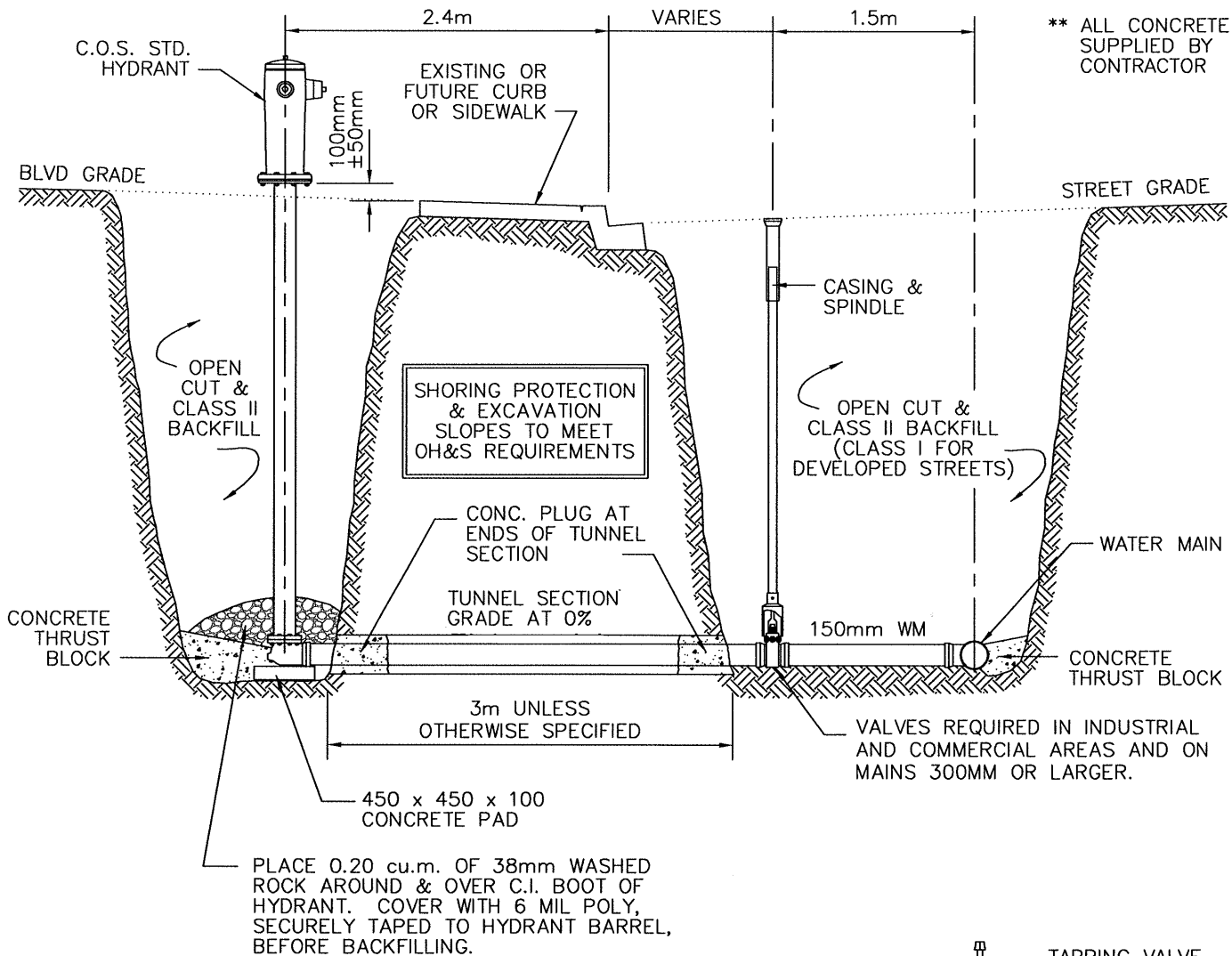
REVISIONS	
1	ADDED 6 MIL POLY REQUIREMENT HLO 2010-12-14
2	
3	

DRAWN BY JLL
 DATE 1996-03-05

City of Saskatoon
 Infrastructure Services Department

REACTION BLOCKING AND WATER MAIN ANCHORING

GENERAL MANAGER _____ P. ENG.
 ENGINEER _____
 SCALES: HOR. 1:50 VERT. _____
 PLAN NO. 102-0012-002r002



ALTERNATE FOR EXISTING MAIN

ALL DIMENSIONS IN MILLIMETRES UNLESS OTHERWISE NOTED

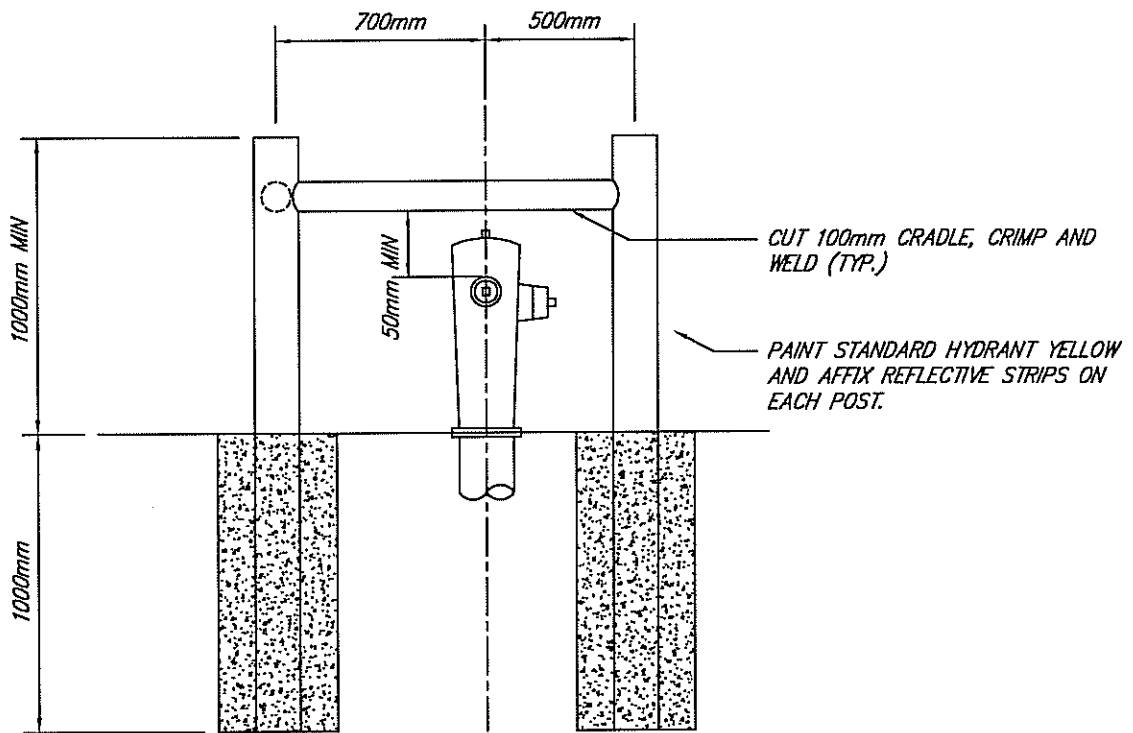
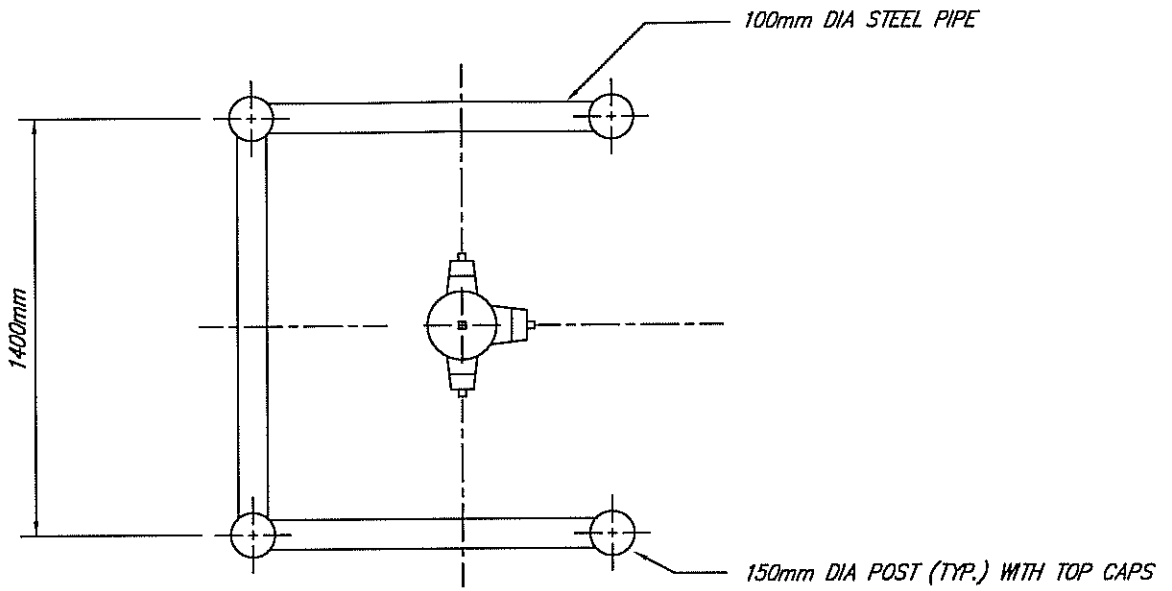
REVISIONS	
1	MJ 2006-06-22
2	HLO 2012-01-05
3	SPECIFIED TUNNEL SECT. GRADE JAB - 2013 DEC 16
DRAWN BY <u>JLL</u>	
DATE <u>96-03-05</u>	
CHECKED BY _____	
DATE _____	



**City of
Saskatoon**
Infrastructure Services Department

FIRE HYDRANT STANDARD INSTALLATION

APPROVED	
	P. ENG.
ENGINEER	
ENGINEER	
SCALES: HOR. _____ VERT. <u>NTS</u>	
PLAN NO. 102-0012-003r004	

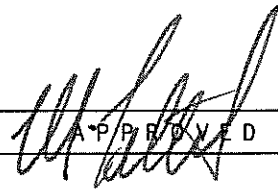
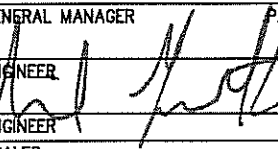


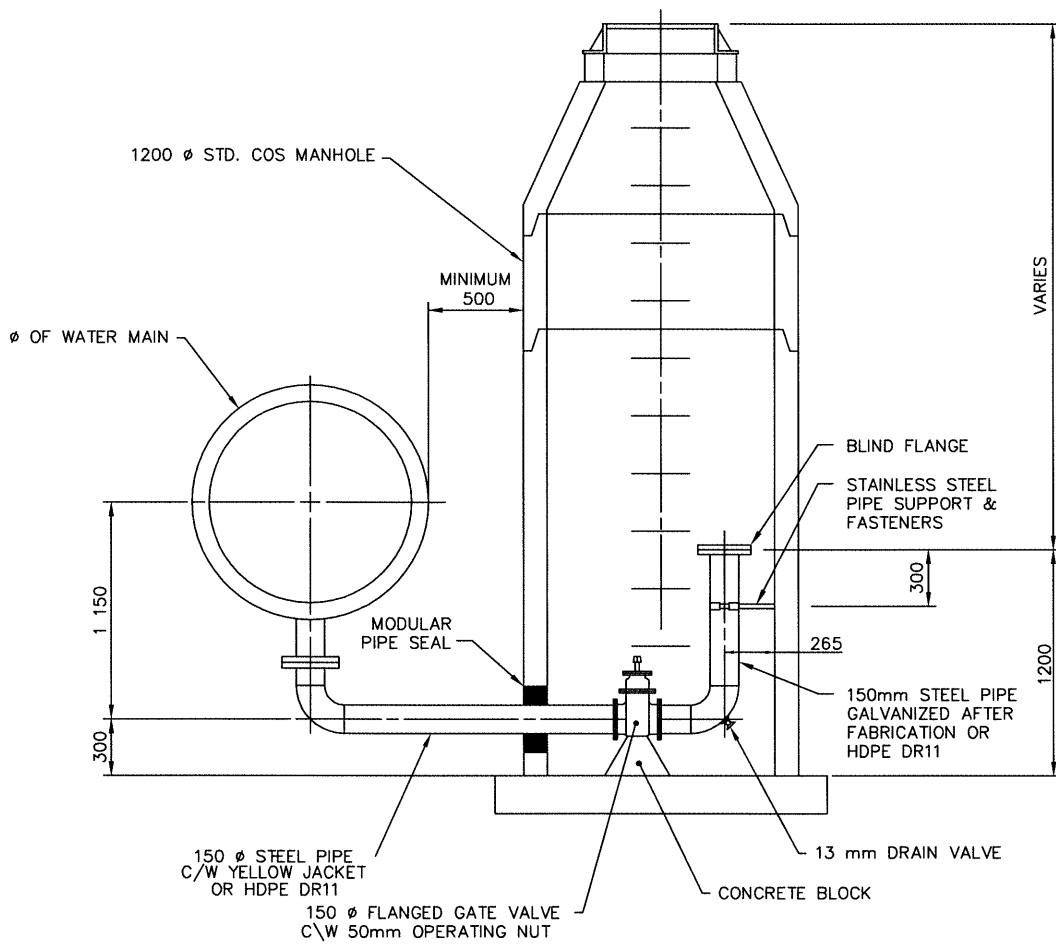
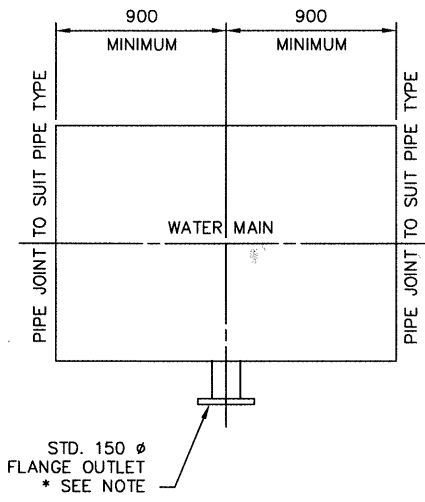
REVISIONS	
1	
2	
3	


City of Saskatoon
 Infrastructure Services Department

SQUARE HYDRANT
GUARD

DRAWN BY JMH
 DATE 06-01-25
 CHECKED BY _____
 DATE _____

APPROVED

 GENERAL MANAGER P. ENG.
 ENGINEER

 ENGINEER
 SCALES : HOR. 1:25
 PLAN NO. 102-0012-004r002



* REFER TO THE STANDARD SPECIFICATION SECTION 15001-9 FOR APPROVED TAPPING SLEEVES.

ALL DIMENSIONS IN MILLIMETRES UNLESS OTHERWISE NOTED



REVISIONS	
1	ADDED HDPE DR11 HLO 2013-01-03
2	ADDED SPECIFICATION NOTE & LOWER BLIND FLG ASSEMBLY JAB - 2013 DEC 16
3	DECREASED DISTANCE BETWEEN MAIN AND MANHOLE HLO 2014-DEC-15
4	

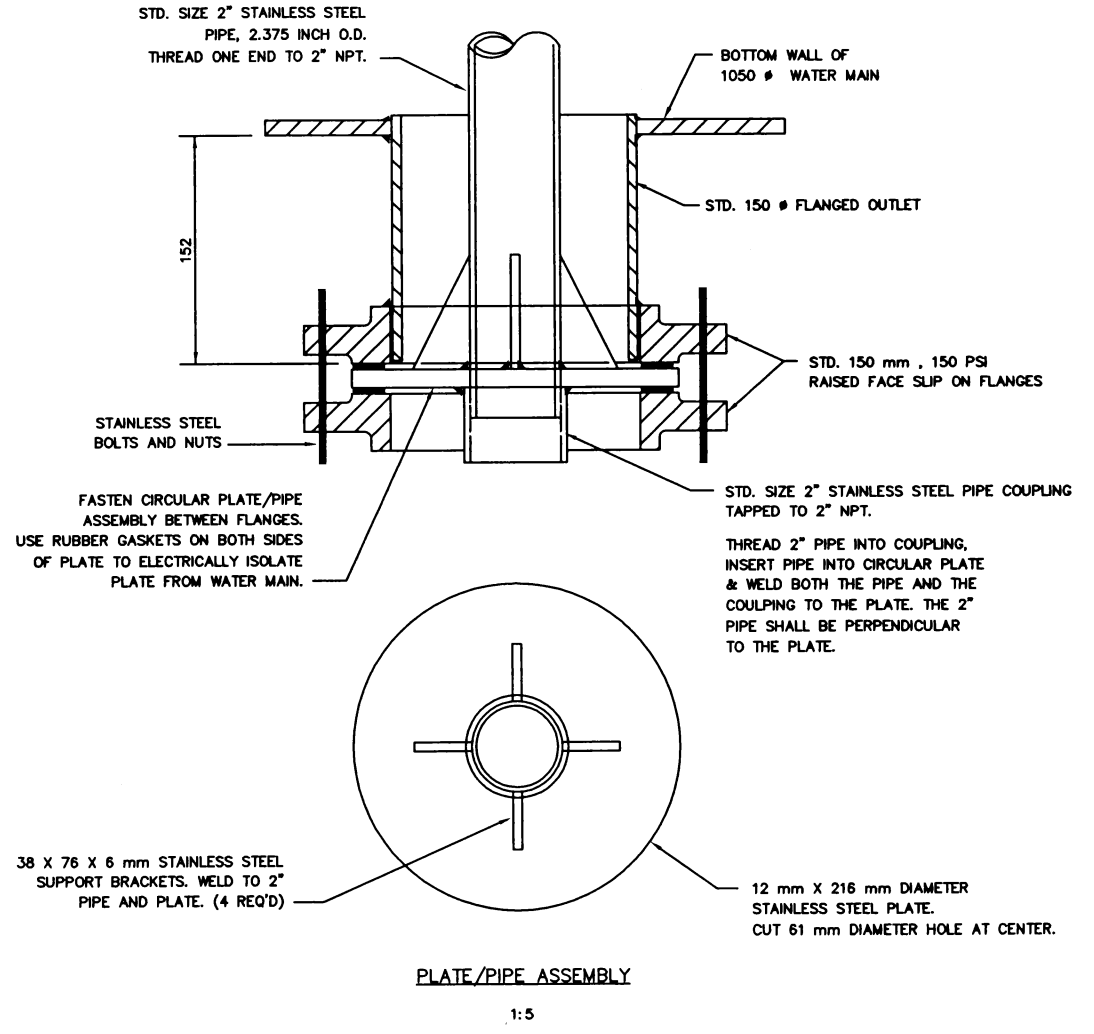
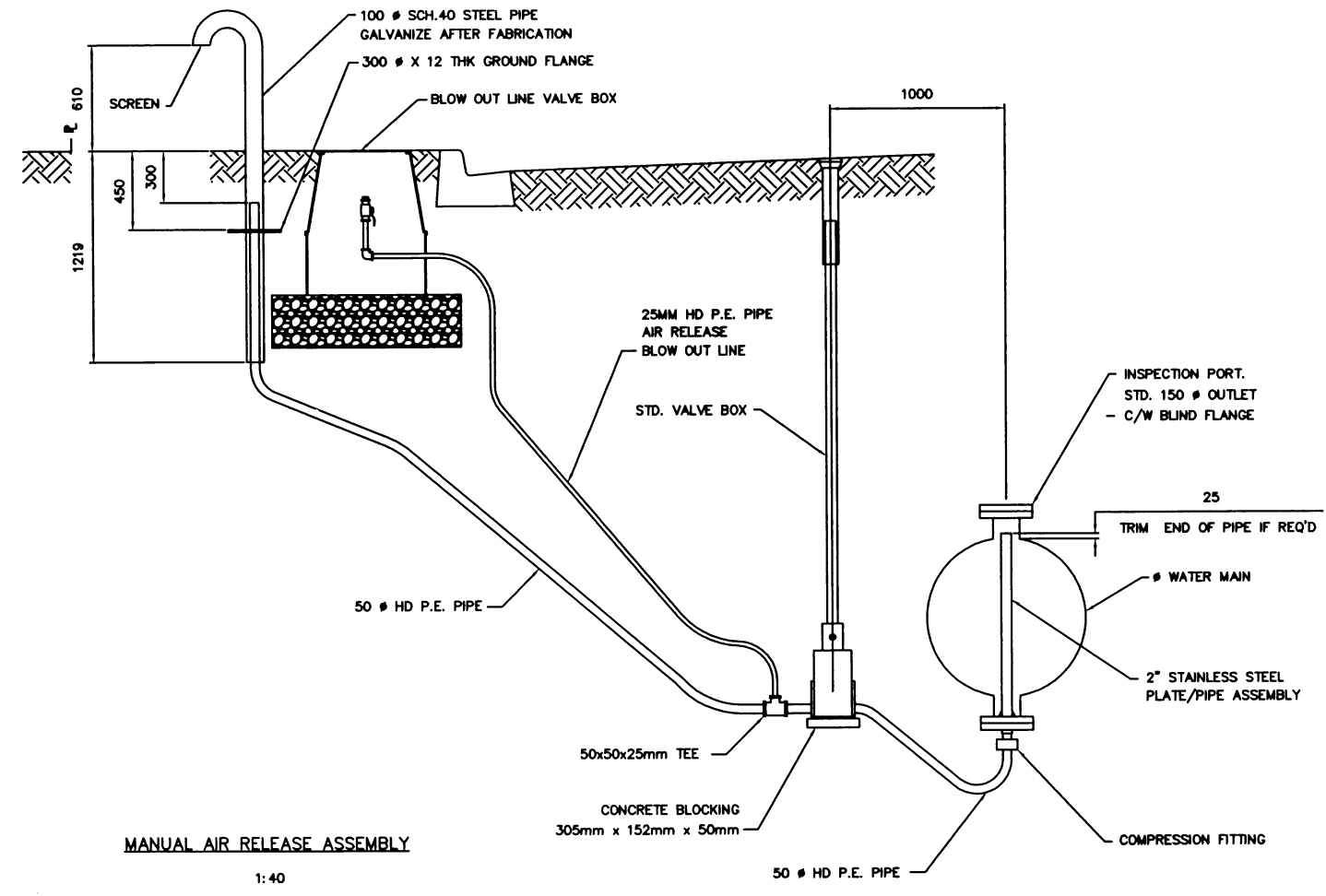
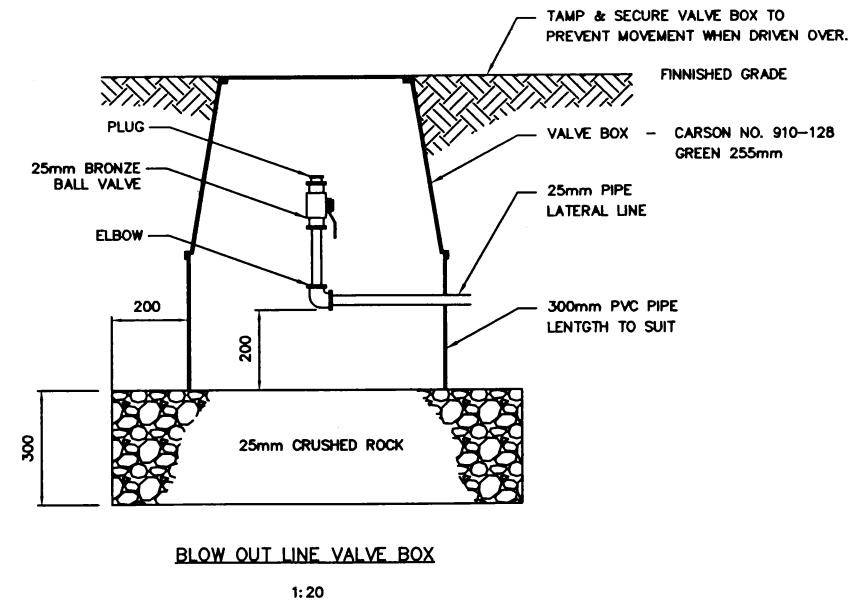
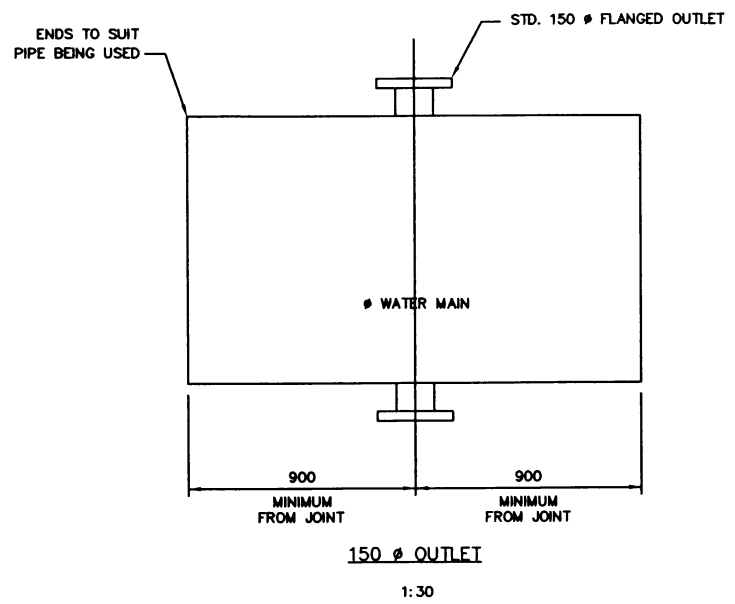
DRAWN BY MJ
DATE 2003-04-02



**City of
Saskatoon**
Infrastructure Services Department

PUMPED DRAIN STRUCTURE

APPROVED	
	ENGINEER
	ENGINEER
SCALES :	HOR. <u> 1:40 </u>
PLAN NO. 102-0012-005r004	



ALL DIMENSIONS IN MILLIMETRES UNLESS OTHERWISE NOTED

11					
10					
9					
8					
7					
6					
5					
4					
3					
2					
1	BASE PLAN	MJ	03-04-02	1	ADDED NOTE
	DESCRIPTION	DATE	NO.	REVISIONS	DATE BY

STAMP	MUNICIPAL ENGINEERING	PUBLIC WORKS
<i>Long Schultz</i> April 04, 2007 ENGINEER	<i>[Signature]</i> ENGINEER	<i>[Signature]</i> ENGINEER
DRAWN BY: <i>[Signature]</i>	DRAWN BY: _____	DRAWN BY: _____
DATE: <i>[Signature]</i>	DATE: _____	DATE: _____
CHECKED BY: <i>[Signature]</i>	CHECKED BY: _____	CHECKED BY: _____
DATE: <i>APRIL 4, 07</i>	DATE: _____	DATE: _____

City of Saskatoon
Infrastructure Services Department

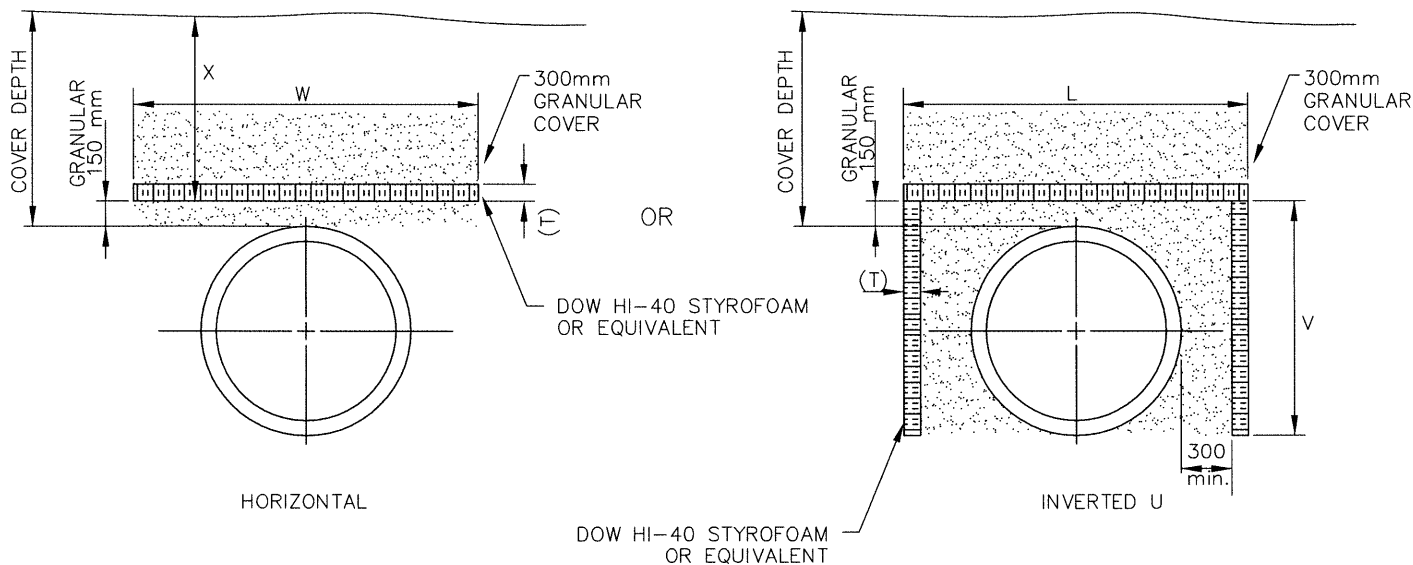
MANUAL AIR RELEASE
C301/303 PIPE

SCALE: HOR. AS SHOWN	SHEET NO.
VERT. -	
PLAN NO.	
102-0012-006r002	

PE PIPE NOW REQUIRED INSTEAD OF COPPER APR 4, 07

[Signature]
APR 4 2007

COVER DEPTH m	THICKNESS (T) mm (IN)
1.1 - 1.4	90 (3.5)
1.4 - 1.7	75 (3.0)
1.7 - 2.0	75 (3.0)
2.0 - 2.3	50 (2.0)
2.3 - 2.6	40 (1.5)
2.6 - 2.9	40 (1.5)
BELOW 2.9	-



D = PIPE DIAMETER
 $W = D + 2(2.9 - X) - 0.3$

$W = L + 2V$
 V TO BE LESS THAN OR EQUAL TO L

- NOTES:
1. ALL DIMENSIONS IN MILLIMETERS UNLESS OTHERWISE NOTED
 2. APPLICABLE WHEN USING FILLCRETE OR GRANULAR BACKFILL
 3. COMPRESSION STRENGTH OF STYROFOAM: 275 kPa (min)

PLAN DESCRIPTION/REVISIONS		 City of Saskatoon Infrastructure Services Department	 CHIEF ENGINEER DATE JAN 08 2016
4			
3	CLARIFY D = PIPE DIAMETER 2015-DEC-01 HLO		
2	RV UPDATE SPECS. 2012-NOV-20		
1	JMH 06-01-25		
DRAWN BY MJ DATE 2003-04-02		TYPICAL PIPE INSULATION ENGINEER DATE JAN 08 2016	
SCALE : HOR. NTS VERT.			
		PLAN NO. 102-0012-007r004	

'B' STANDARD WELDING NECK
FLANGE. (180 P.S.I.). MACHINED
TO STRAIGHT FACE

GROOVE CUT TO
'D' O.D. x 1/4" DEEP

3/8" STEEL SADDLE CURVED
TO FIT O.D. OF STEEL
WATERMAIN

2" FLANGE WIDTH

'C' O.D. PIPE
NIPPLE (1/4" WALL)

'B' STANDARD WELDING NECK
FLANGE (180 P.S.I.)

STANDARD FLANGE MACHINED TO
STRAIGHT FACE, THEN A GROOVE
CUT TO 'D' O.D. x 1/4" DEEP

LARGE DIA. STEEL
WATER MAIN

'E'
1/2" TOLERANCE

SHOP WELDS

TABLE OF DIMENSIONS

NOMINAL TAP SIZE	A	B	C	D	E
6"	6 1/4"	6"	6 3/4"	7"	6 1/2"
8"	8 1/4"	8"	8 3/4"	9"	6 1/2"
10"	10 1/4"	10"	10 3/4"	11"	7"

SECTION A-A

REVISIONS

1	
2	
3	

DRAWN BY HLO
DATE 06-01-27

CHECKED BY _____
DATE _____



**City of
Saskatoon**
Infrastructure Services Department

WELDED TYPE TAPPING SADDLE FOR
LARGE DIAMETER STEEL WATERMANS

APPROVED

GENERAL MANAGER P. ENG.

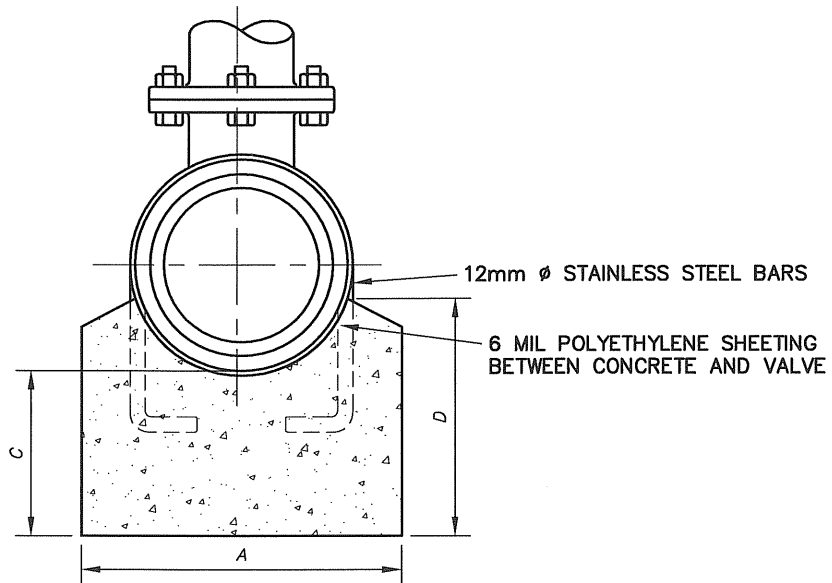
ENGINEER

ENGINEER

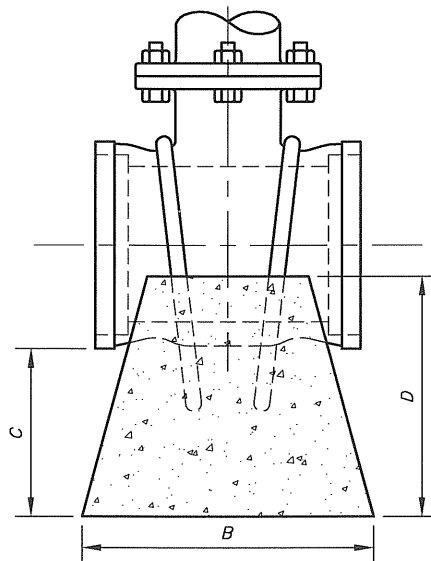
SCALES :

HOR. _____

PLAN NO. 102-0012-009r001

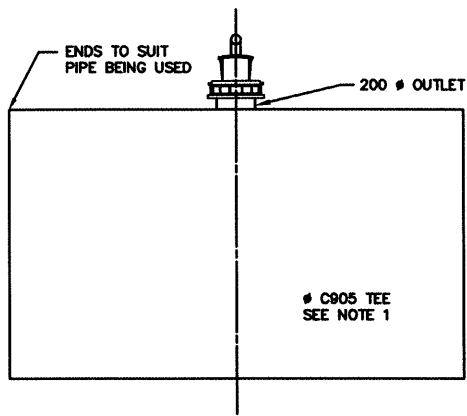


DIA	A	B	C	D
300	600	400	300	400
350	700	475	350	475
400	800	550	400	550



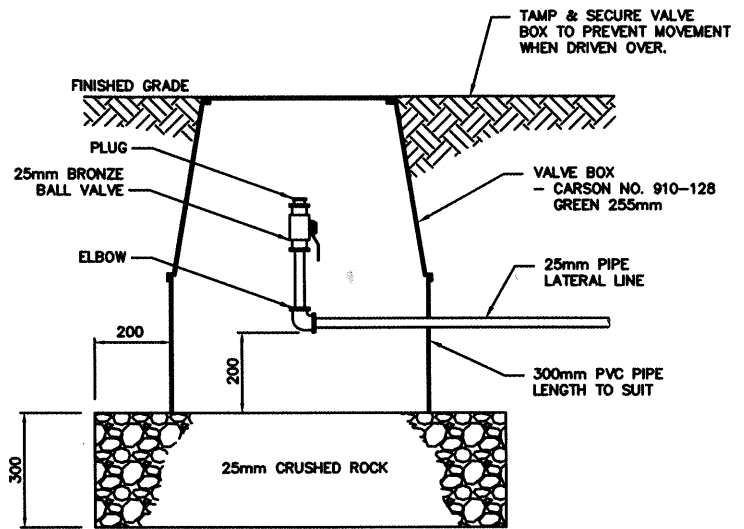
NOTE:
CONCRETE SHALL BE 20MPa AT
28 DAYS, AND BE SULPHATE RESISTANT

REVISIONS		 City of Saskatoon Infrastructure Services Department	APPROVED		
1	HLO 2007-01-22		 GENERAL MANAGER P. ENG.		
2	ADDED 6 MIL POLY REQUIREMENT HLO 2010-12-14		 ENGINEER		
3					
DRAWN BY <u>RAM</u> DATE <u>2004-09-29</u>		VALVE ANCHORING DETAILS FOR 300 MM & LARGER VALVES	SCALES : HOR. <u>1:10</u>		
CHECKED BY _____ DATE _____			PLAN NO. 102-0012-010r003		



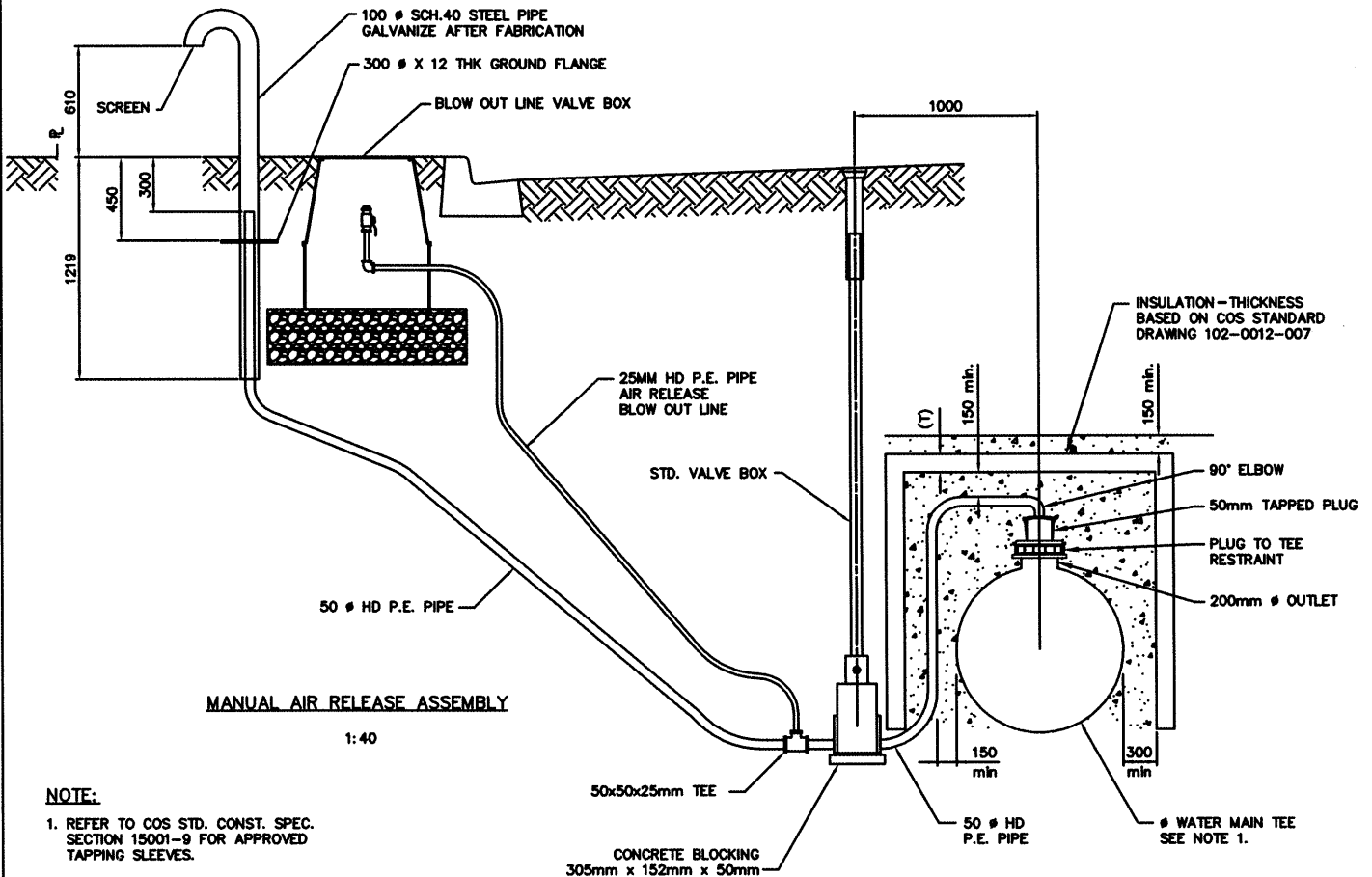
150 Ø OUTLET

1:30



BLOW OUT LINE VALVE BOX

1:20



MANUAL AIR RELEASE ASSEMBLY

1:40

NOTE:

1. REFER TO COS STD. CONST. SPEC. SECTION 15001-9 FOR APPROVED TAPPING SLEEVES.

ALL DIMENSIONS IN MILLIMETRES UNLESS OTHERWISE NOTED

PLAN DESCRIPTION/REVISIONS	
4	
3	MJ - 2014 DEC. 8
2	ADDED SPECIFICATION NOTE JAB - 2013 DEC. 16
1	BASE - PE PIPE AIR REVISED
DRAWN BY <u>LBKM</u>	
DATE <u>07-04-03</u>	
SCALE : HOR. <u>AS SHOWN</u> VERT. _____	



City of Saskatoon

Transportation & Utilities Department

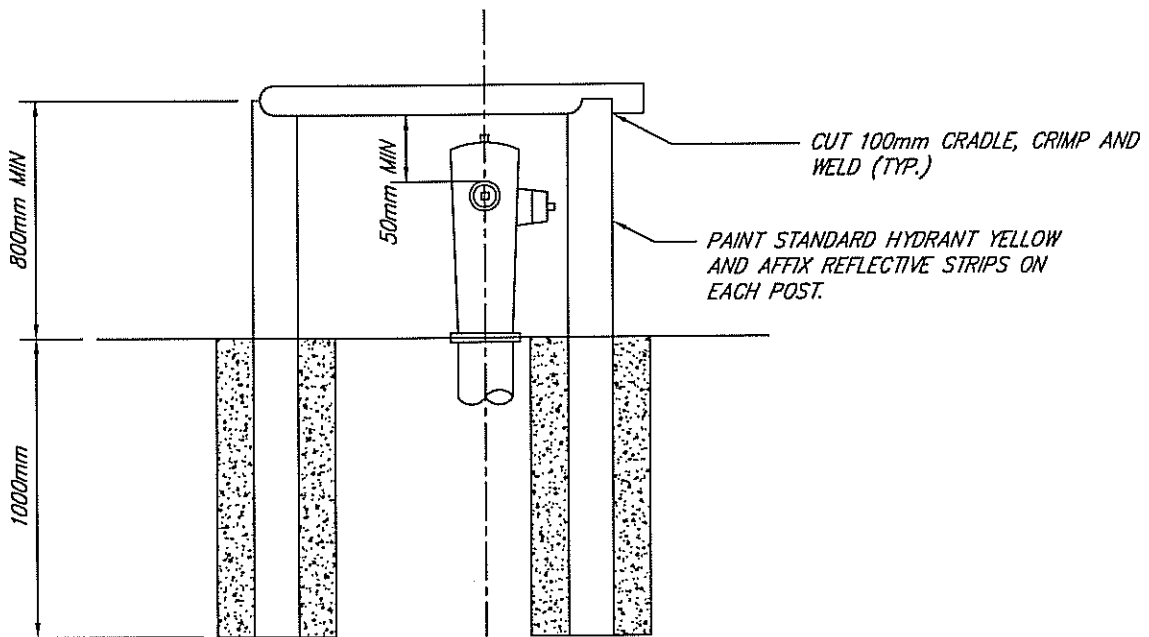
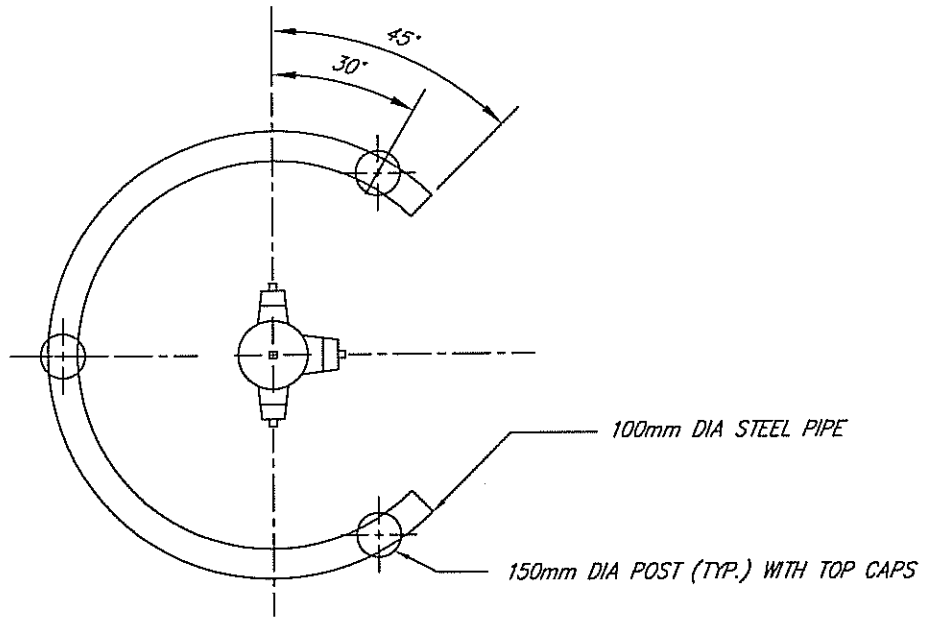
MANUAL AIR RELEASE
C905 PIPE

APPROVED

[Signature]
ENGINEER

[Signature]
ENGINEER

PLAN NO. 102-0012-011r003



REVISIONS	
1	
2	
3	



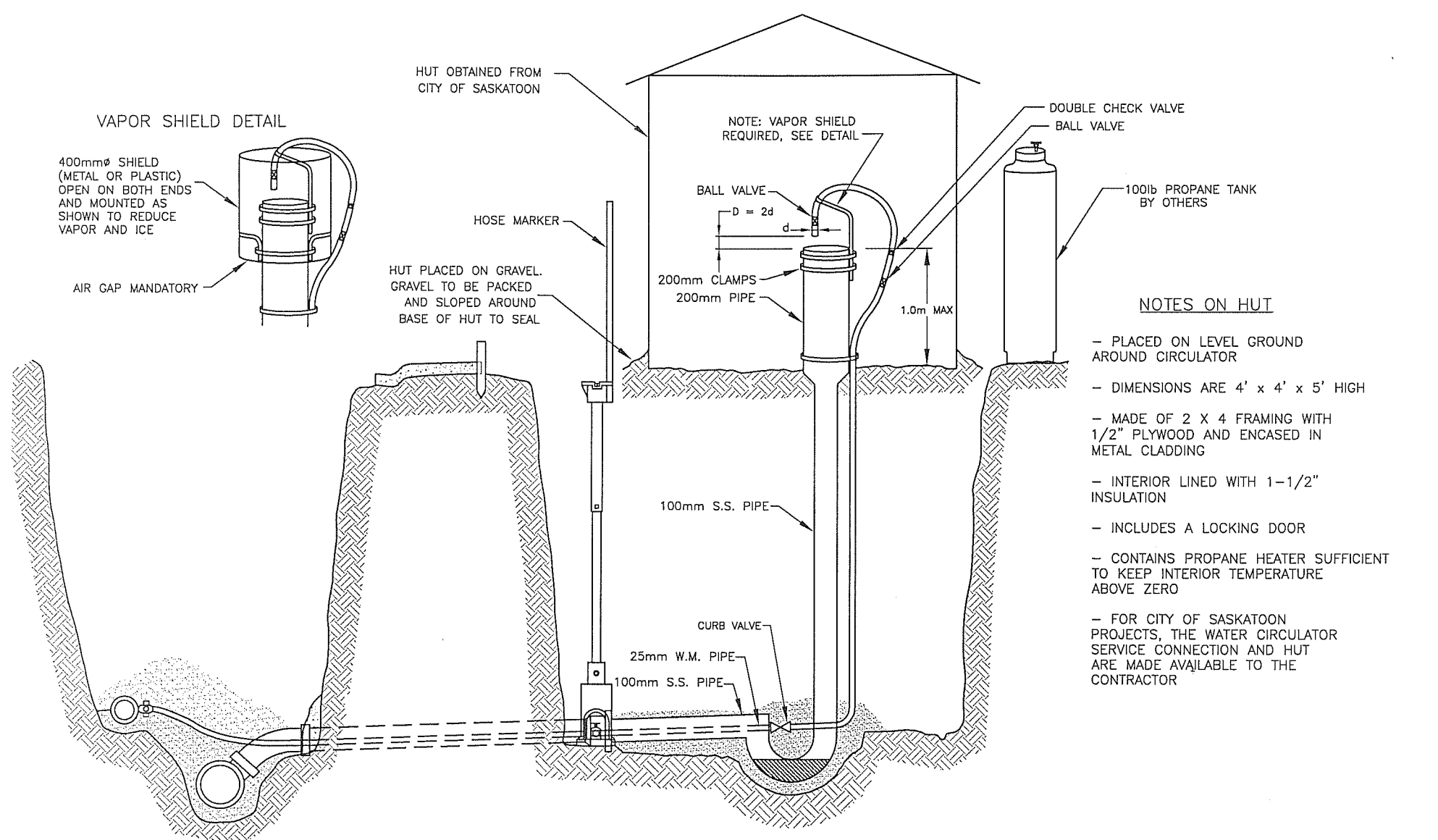
City of Saskatoon
Infrastructure Services Department

CIRCULAR HYDRANT
GUARD

APPROVED	
	P. ENG.
GENERAL MANAGER	
ENGINEER	
ENGINEER	
SCALES :	HOR. 1:25
PLAN NO.	102-0012-012r001

DRAWN BY RWDT
DATE 08-10-14

CHECKED BY _____
DATE _____



VAPOR SHIELD DETAIL

400mm ϕ SHIELD
(METAL OR PLASTIC)
OPEN ON BOTH ENDS
AND MOUNTED AS
SHOWN TO REDUCE
VAPOR AND ICE

AIR GAP MANDATORY

HUT OBTAINED FROM
CITY OF SASKATOON

HUT PLACED ON GRAVEL.
GRAVEL TO BE PACKED
AND SLOPED AROUND
BASE OF HUT TO SEAL

NOTE: VAPOR SHIELD
REQUIRED, SEE DETAIL

200mm CLAMPS
200mm PIPE

100mm S.S. PIPE

25mm W.M. PIPE
100mm S.S. PIPE

DOUBLE CHECK VALVE
BALL VALVE

100lb PROPANE TANK
BY OTHERS

NOTES ON HUT

- PLACED ON LEVEL GROUND AROUND CIRCULATOR
- DIMENSIONS ARE 4' x 4' x 5' HIGH
- MADE OF 2 X 4 FRAMING WITH 1/2" PLYWOOD AND ENCASED IN METAL CLADDING
- INTERIOR LINED WITH 1-1/2" INSULATION
- INCLUDES A LOCKING DOOR
- CONTAINS PROPANE HEATER SUFFICIENT TO KEEP INTERIOR TEMPERATURE ABOVE ZERO
- FOR CITY OF SASKATOON PROJECTS, THE WATER CIRCULATOR SERVICE CONNECTION AND HUT ARE MADE AVAILABLE TO THE CONTRACTOR

REVISIONS

3		
2		
1	09-12-04	HLO

DRAWN BY LBKM DATE 07-09-04

APPROVED

 GENERAL MANAGER

 ENGINEER

DATE
 Dec 21, 09
 DATE
 Dec 15/09
 DATE

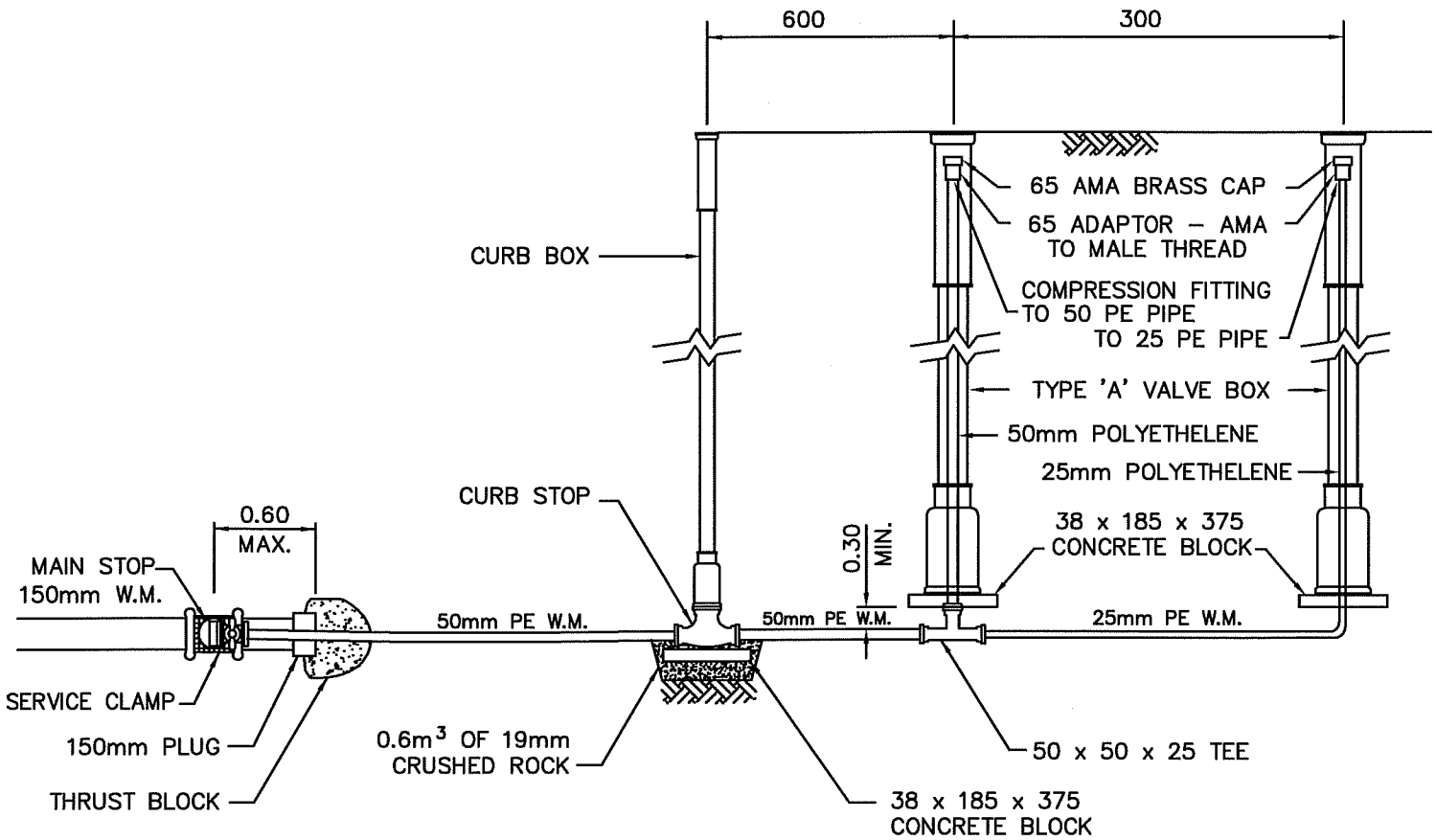
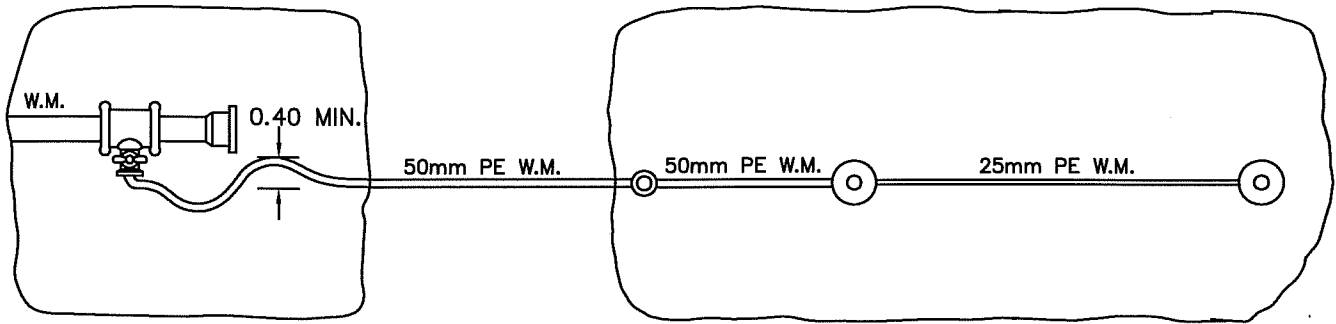


City of Saskatoon
 Infrastructure Services Department

WATER CIRCULATOR
 SERVICE CONNECTION

SCALE : HOR. NTS VERT. _____

102-0012-013r001



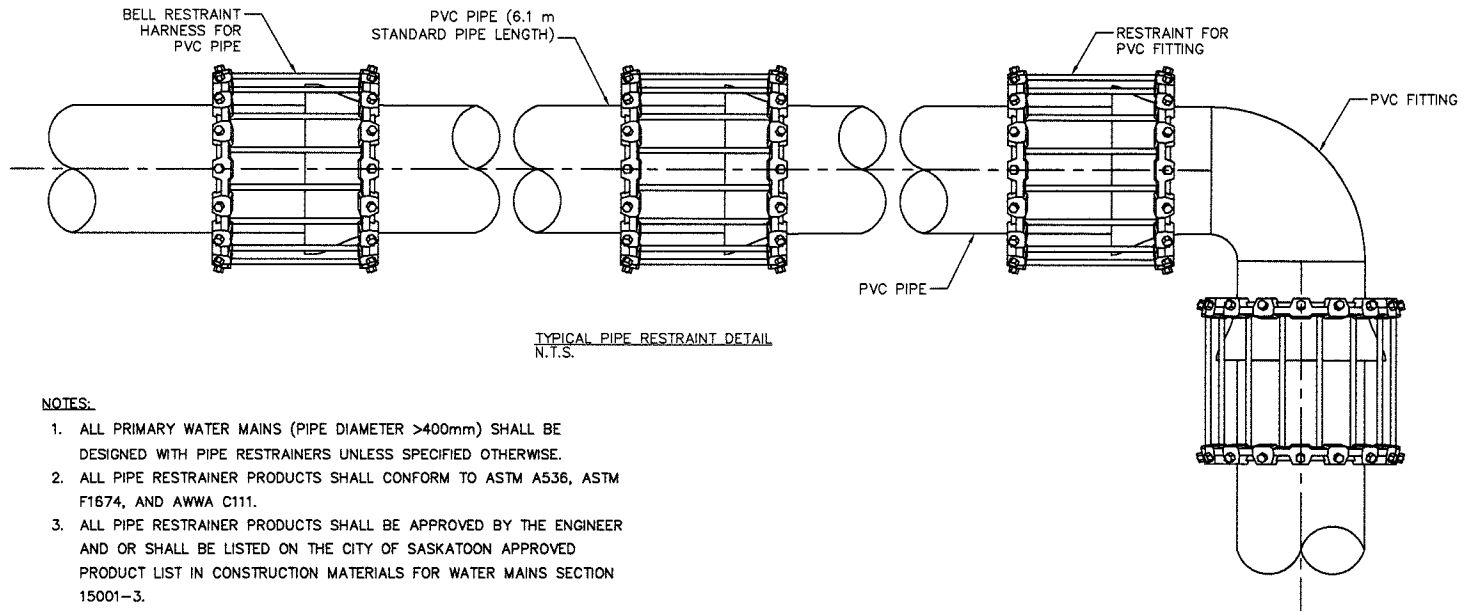
ALL DIMENSIONS IN MILLIMETRES UNLESS OTHERWISE NOTED

REVISIONS	
1	HLO 2012-01-05
2	
3	
DRAWN BY <u>HLO</u>	
DATE <u>2009-12-10</u>	



POLYETHELENE DEAD END
WATER MAIN FLUSHER

APPROVED	
GENERAL MANAGER	<i>[Signature]</i> Jan 6 2012 P. ENG.
ENGINEER	<i>[Signature]</i>
ENGINEER	<i>[Signature]</i>
SCALES : HOR. <u>NTS</u> VERT. <u>NTS</u>	
PLAN NO. 102-0012-014r002	



NOTES:

1. ALL PRIMARY WATER MAINS (PIPE DIAMETER >400mm) SHALL BE DESIGNED WITH PIPE RESTRAINERS UNLESS SPECIFIED OTHERWISE.
2. ALL PIPE RESTRAINER PRODUCTS SHALL CONFORM TO ASTM A536, ASTM F1674, AND AWWA C111.
3. ALL PIPE RESTRAINER PRODUCTS SHALL BE APPROVED BY THE ENGINEER AND OR SHALL BE LISTED ON THE CITY OF SASKATOON APPROVED PRODUCT LIST IN CONSTRUCTION MATERIALS FOR WATER MAINS SECTION 15001-3.
4. ALL THE JOINT RESTRAINING DEVICES SHALL BE TAPE COATED WITH DENSO WRAP/PASTE AS DETAILED IN SECTION 01005-31 OF THE SPECIFICATION.

BELL RESTRAINT HARNESS FOR C905 PVC PIPE (OR APPROVED EQUIVALENT)

NOMINAL PIPE SIZE	PIPE OD	MAXIMUM BELL OD CLEARANCE	THRUST BOLT NUMBER	OVERALL LENGTH
in/mm	in/mm	in/mm	NUMBER	in/mm
18/450	19.5/495	24.88/632	6	27.76/705
20/525	21.6/549	27.13/689	7	30.01/762
24/600	25.8/655	31.63/803	8	35/889
30/750	32.0/813	39.25/997	10	42.88/1089
36/900	38.3/973	46.13/1172	12	49.76/1264
42/1050	44.5/1130	49.00/1245	14	54.12/1375
48/1200	50.8/1290	56.00/1422	16	61.08/1551

RESTRAINT FOR C905 PVC PIPE AT PVC FITTINGS (OR APPROVED EQUIVALENT)

NOMINAL PIPE SIZE	PIPE OD	MAXIMUM BELL OD CLEARANCE	THRUST BOLT NUMBER	OVERALL LENGTH
in/mm	in/mm	in/mm	NUMBER	in/mm
18/450	19.5/495	24.88/632	6	18/457
20/525	21.6/549	27.13/689	7	18/457
24/600	25.8/655	31.63/803	8	28/711
30/750	32.0/813	39.25/997	10	28/711
36/900	38.3/973	46.13/1172	12	28/711
42/1050	44.5/1130	49.00/1245	14	36/914
48/1200	50.8/1290	56.00/1422	16	48/1219

PLAN DESCRIPTION/REVISIONS	
4	
3	
2	
1	RESTRAINT JOINTS ON PVC PIPE
DRAWN BY <u>HCS</u>	
DATE <u>2013-JUN-04</u>	
SCALE : HOR. <u>NTS</u> VERT. <u> </u>	

City of Saskatoon
Infrastructure Services Department

RESTRAINT JOINTS ON C905 PVC PIPE

APPROVED

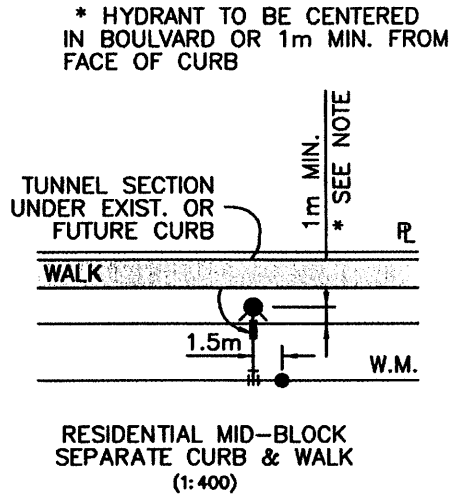
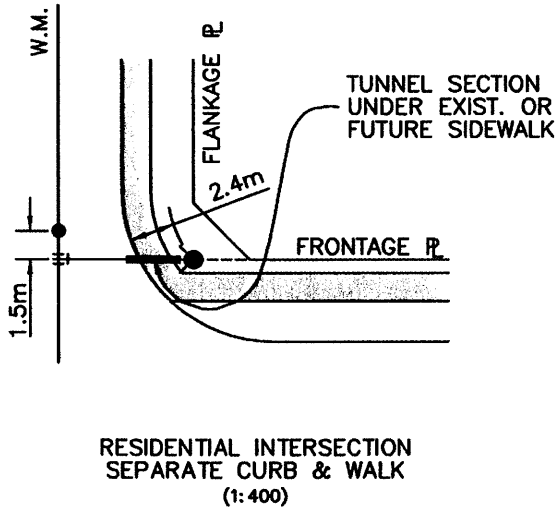
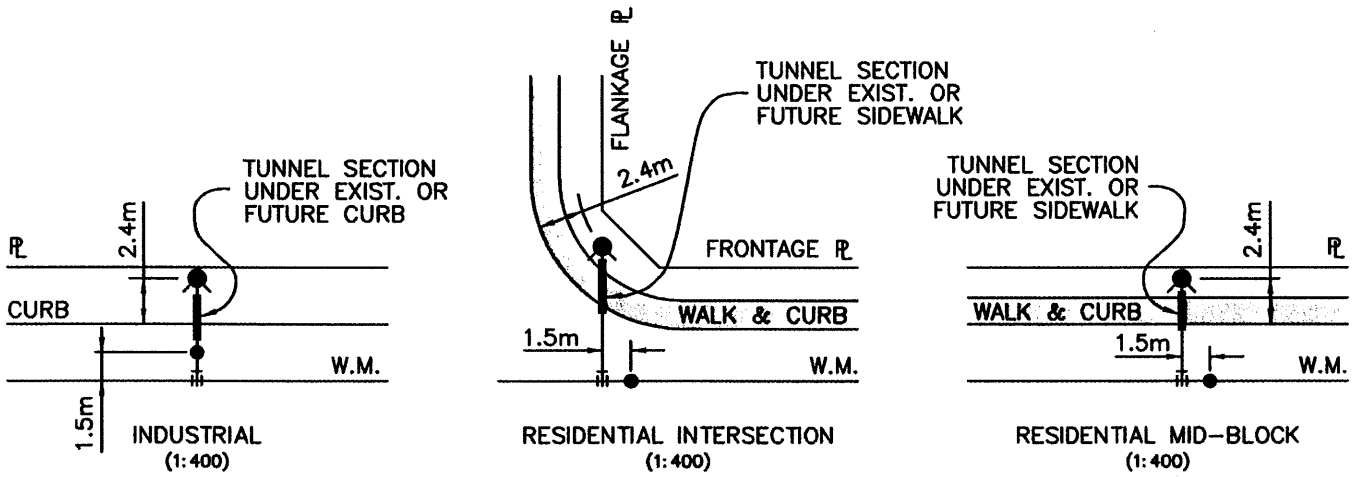
[Signature]
GENERAL MANAGER

[Signature]
ENGINEER

[Signature]
ENGINEER

PLAN NO. 102-0012-015r001

STANDARD HYDRANT LOCATIONS



ALL DIMENSIONS IN MILLIMETRES UNLESS OTHERWISE NOTED

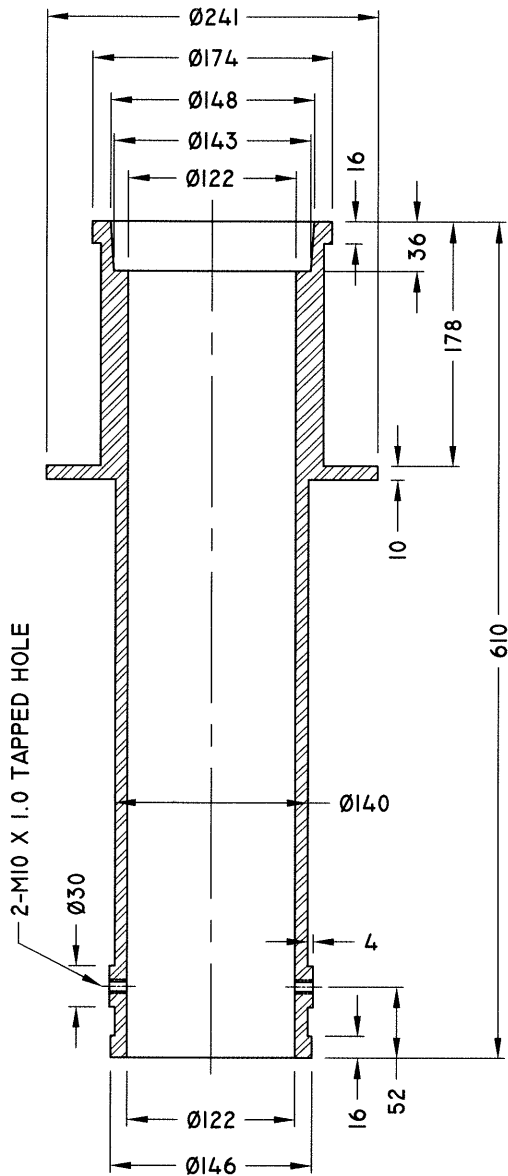
REVISIONS	
1	
2	
3	
DRAWN BY <u>JAB</u>	
DATE <u>2013 DEC 12</u>	
CHECKED BY _____	
DATE _____	



FIRE HYDRANT STANDARD LOCATIONS

APPROVED		
		P. ENG.
GENERAL MANAGER		
ENGINEER		
ENGINEER		
SCALES : HOR. <u>NTS</u> VERT. _____		
PLAN NO. 102-0012-016r001		

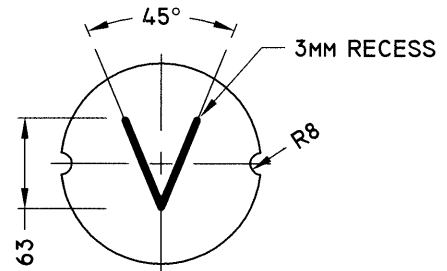
TOP WITH FLANGE



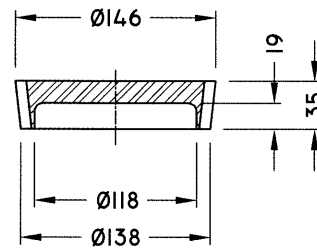
SECTION THRU MAIN BODY

MATERIAL SPECIFICATIONS AND MASS:
 GREY CAST IRON CLASS 20 ASTM A48 (LATEST EDITION)

LID



PLAN



SECTION

CAST IRON FUSION BONDED EPOXY

UNLESS OTHERWISE SPECIFIED THE MATERIALS AND APPLICATION OF THIS COATING SHALL CONFORM TO THE AWWA STANDARD C213-96.

THE COATING MATERIAL SHALL BE A 100% SOLID, THERMOSETTING, FUSION BONDED, DRY POWDER EPOXY RESIN, APPROVED FOR CONTACT WITH POTABLE WATER BY THE NATIONAL SANITATION FOUNDATION (NSF). POWDERS SHALL BE ONE OF THE FOLLOWING PRODUCTS OR APPROVED EQUAL:

- VALSPAR, D 1003 LD
- VALSPAR, G 1003 RB
- NAP-GARD MARK X 7-2500
- 3M, SCOTCHKOTE 134

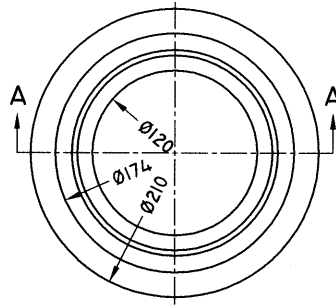
THE SURFACE PREPARATION SHALL CONFORM TO SEC. 3.2 OF THE AWWA STANDARD C213-96. THESE COATINGS SHALL BE THE FLUIDIZED BED METHOD OR THE ELECTROSTATIC POWDER SPRAY GUN METHOD. THE COATING THICKNESS SHALL BE 0.50MM (15 MIL) MINIMUM, 0.64MM (20 MIL) MAXIMUM.

PLAN DESCRIPTION/REVISIONS	
4	
3	
2	
1	
DRAWN BY <u>HLO</u>	
DATE <u>2015-DEC-31</u>	
SCALE : HOR. <u>NTS</u> VERT. <u>NTS</u>	

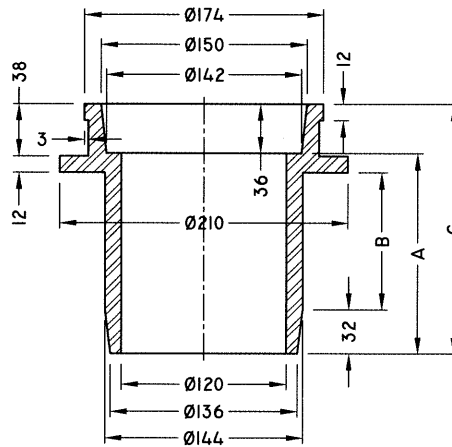


TYPE 'C' VALVE BOX
 TOP AND LID

CHIEF ENGINEER	<u>[Signature]</u>
DATE	<u>JAN 08 2016</u>
ENGINEER	<u>[Signature]</u>
ENGINEER	<u>[Signature]</u>
PLAN NO.	<u>102-0012-017r001</u>



PLAN




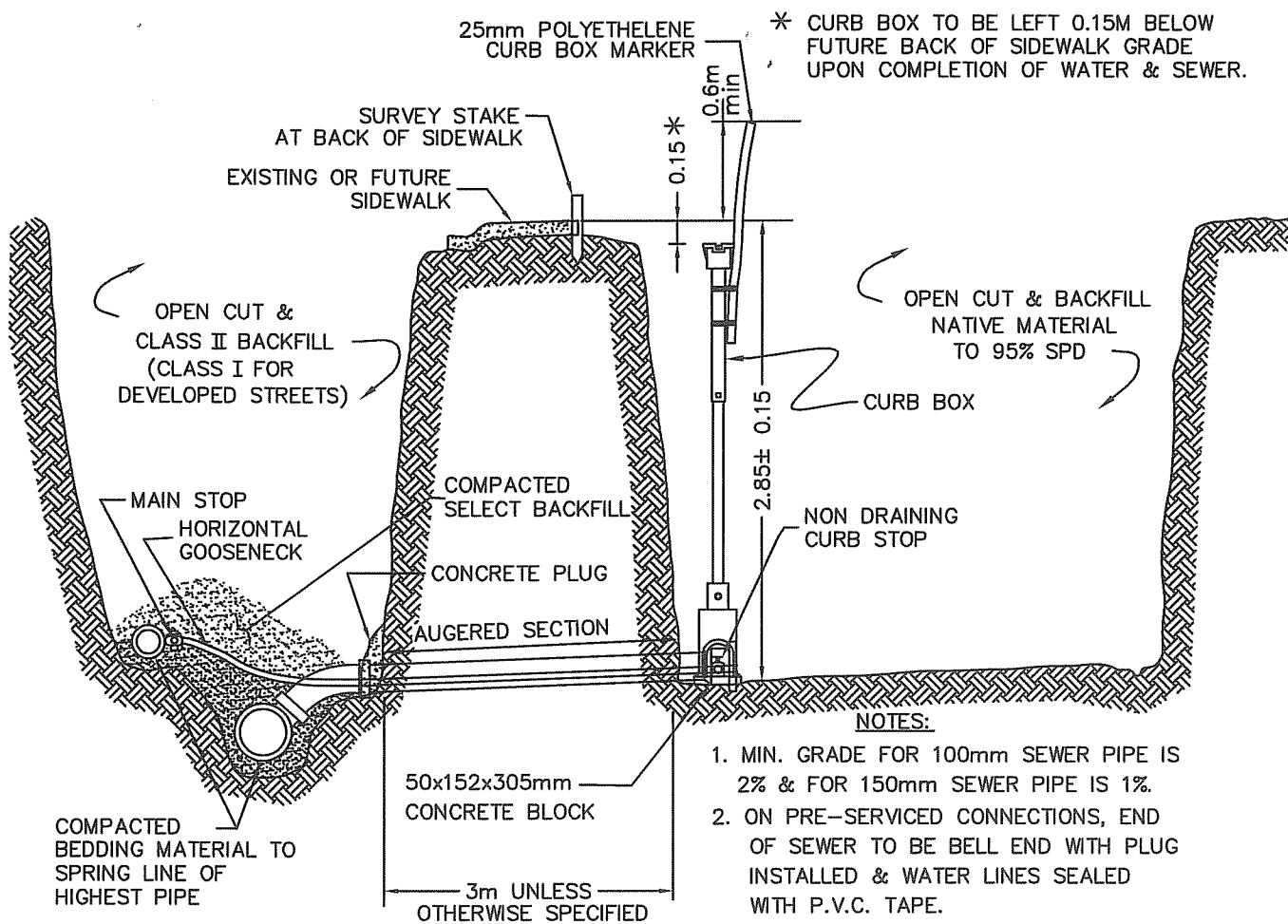
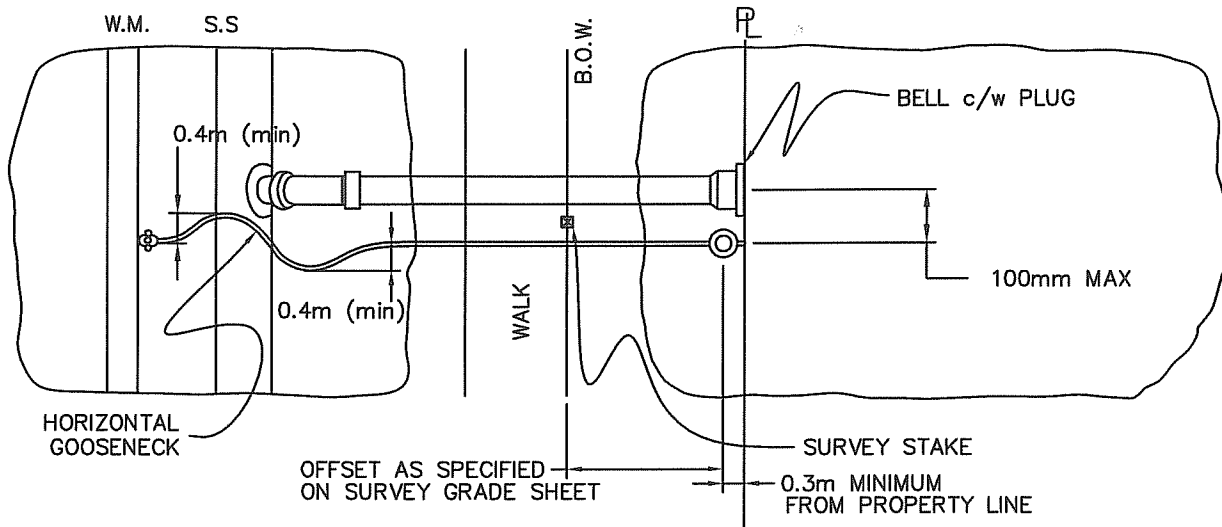
SECTION A-A

MASS	DIM			
	RING	A	B	C
5.13KG(11.40LBS)	NO.1	50	0	86
5.49KG(12.21LBS)	NO.2	75	25	111
5.99KG(13.31LBS)	NO.3	100	50	136
7.56KG(16.80LBS)	NO.4	150	100	186

- * GENERAL TOLERANCES - ±1
- * NO DEVIATION SHALL BE ACCEPTABLE FOR DIMENSIONS WHICH ARE LESS THEN 10MM

MATERIAL SPECIFICATIONS AND MASS:
GREY CAST IRON CLASS 20 ASTM A48 (LATEST EDITION)

PLAN DESCRIPTION/REVISIONS		 City of Saskatoon Transportation & Utilities Department	 CHIEF ENGINEER DATE JAN 08 2016
4			
3			
2			
DRAWN BY <u>HLO</u> DATE <u>2015-DEC-31</u>		TYPE 'C' LIFTER RINGS	 ENGINEER
SCALE : HOR. <u>NTS</u> VERT. <u>NTS</u>			 ENGINEER
			PLAN NO. 102-0012-018r001



* CURB BOX TO BE LEFT 0.15M BELOW FUTURE BACK OF SIDEWALK GRADE UPON COMPLETION OF WATER & SEWER.

NOTES:

1. MIN. GRADE FOR 100mm SEWER PIPE IS 2% & FOR 150mm SEWER PIPE IS 1%.
2. ON PRE-SERVICED CONNECTIONS, END OF SEWER TO BE BELL END WITH PLUG INSTALLED & WATER LINES SEALED WITH P.V.C. TAPE.

REVISIONS	
1	RBY 02/07/2000
2	JMH 22/01/2003
3	JMH 30/04/2003
4	ADDED NOTES REGARDING CURB BOX HEIGHT & MARKER HLO 10/12/2009
5	REVISED CURB BOX HEIGHT AND BACKFILL MATERIAL NOTES HLO 03/01/2013

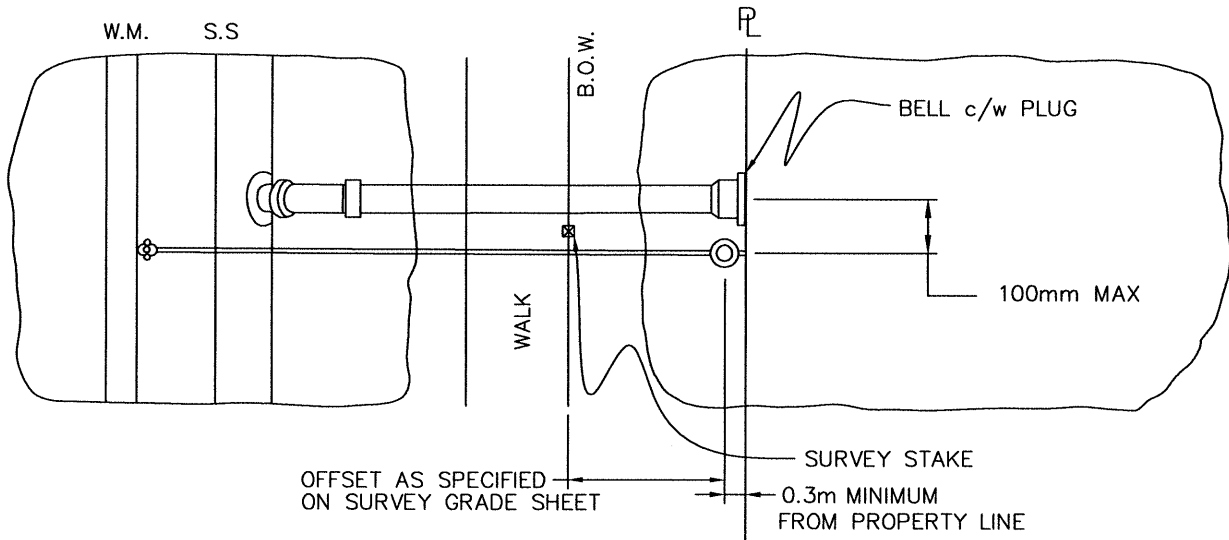
DRAWN BY G.R.F.
DATE MAR. 30, 1992



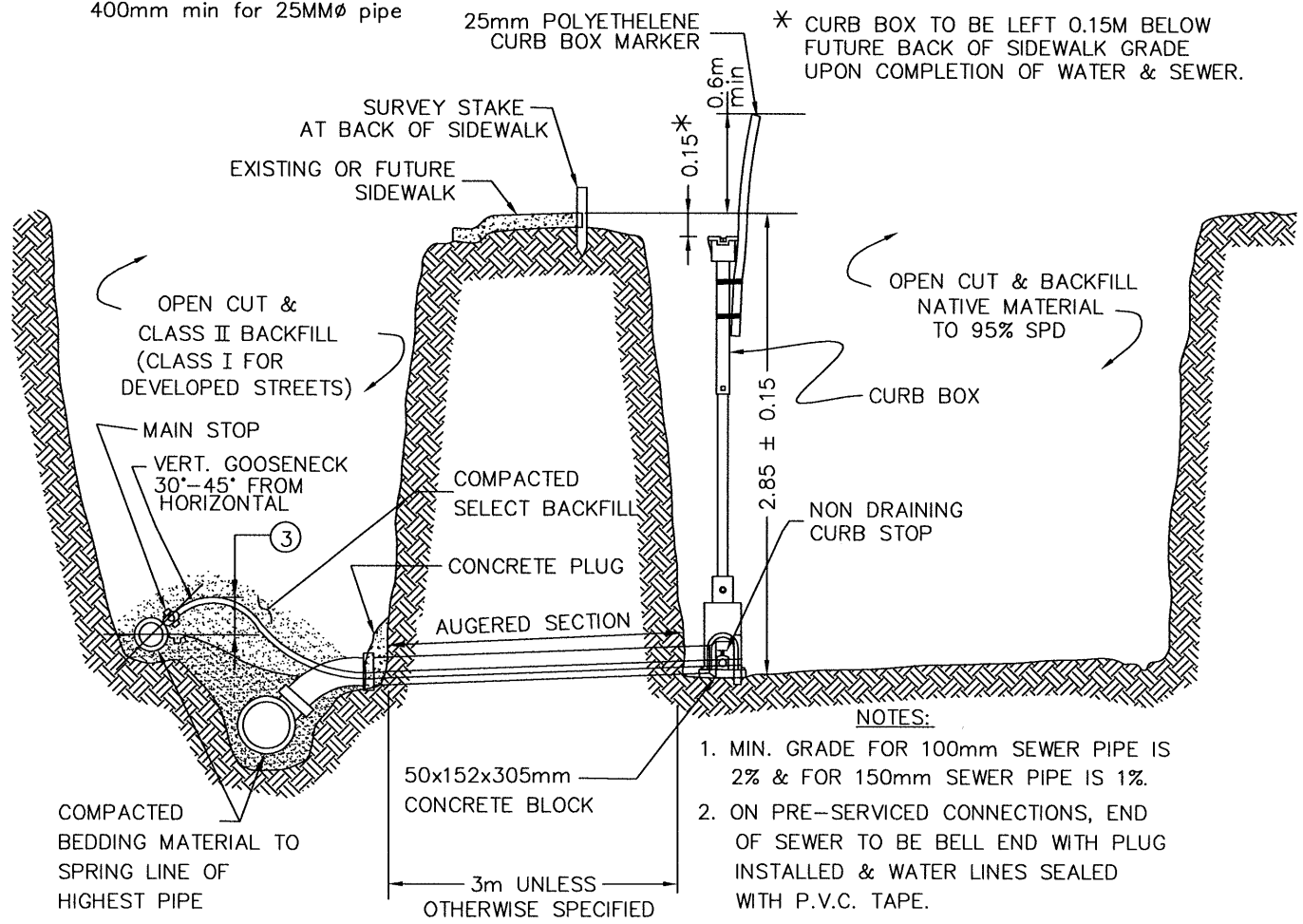
City of Saskatoon
Infrastructure Services Department

TYP. SEWER & POLYETHYLENE WATER SERVICE CONNECTION

APPROVED		
GENERAL MANAGER		P. ENG.
ENGINEER		
ENGINEER		
SCALES : HOR. NTS VERT.		
PLAN NO. 102-0013-001r005		



- ③ 300mm min for 19mm ϕ pipe
- 400mm min for 25MM ϕ pipe



* CURB BOX TO BE LEFT 0.15M BELOW FUTURE BACK OF SIDEWALK GRADE UPON COMPLETION OF WATER & SEWER.

NOTES:

1. MIN. GRADE FOR 100mm SEWER PIPE IS 2% & FOR 150mm SEWER PIPE IS 1%.
2. ON PRE-SERVICED CONNECTIONS, END OF SEWER TO BE BELL END WITH PLUG INSTALLED & WATER LINES SEALED WITH P.V.C. TAPE.

REVISIONS	
1	RBY 02/07/2000
2	JMH 22/01/2003
3	JMH 30/04/2003
4	ADDED NOTES REGARDING CURB BOX HEIGHT & MARKER HLO 20/11/2009
5	CHANGE NOTE REGARDING CURB BOX HEIGHT REQUIREMENT HLO 2013-DEC-11
DRAWN BY G.R.F.	
DATE MAR. 30, 1992	



City of Saskatoon
Infrastructure Services Department

TYP. SEWER & COPPER WATER
SERVICE CONNECTION

APPROVED

[Signature] JUN 6, 1992
GENERAL MANAGER P. ENG.

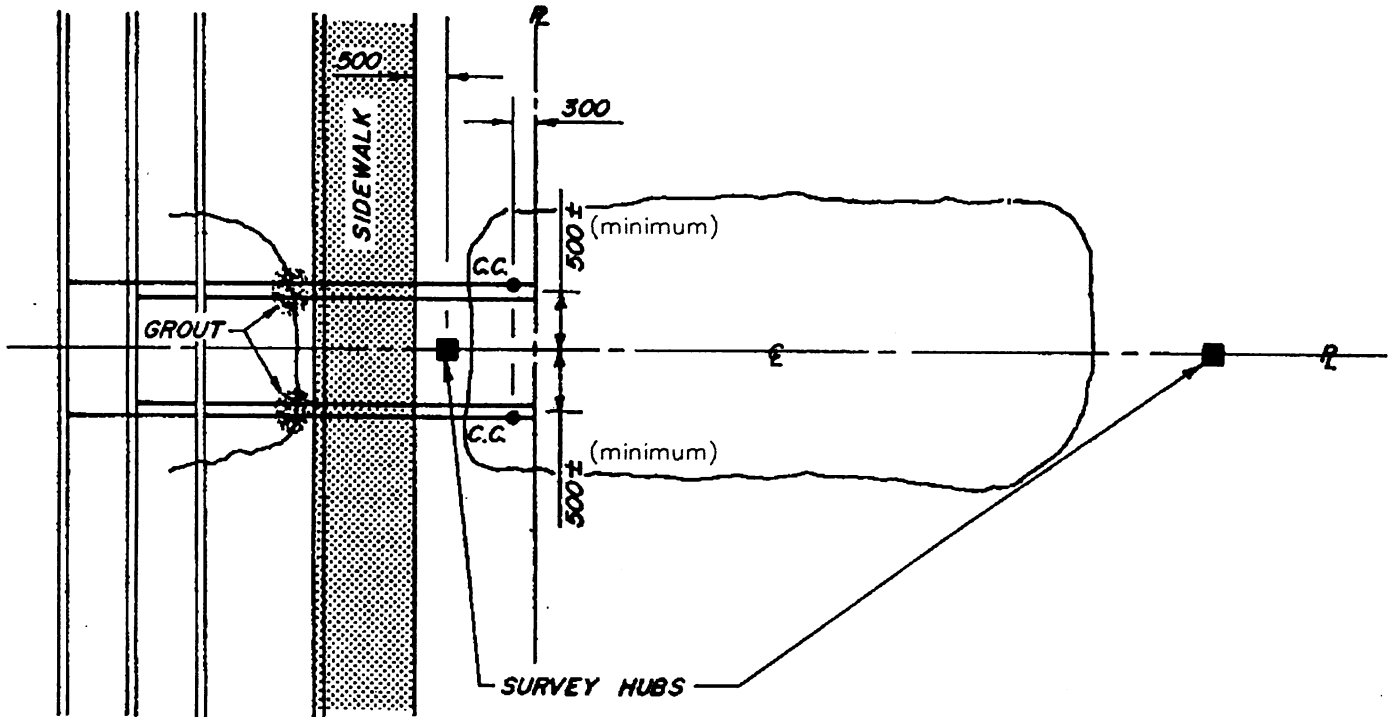
ENGINEER
[Signature]

ENGINEER

SCALES : HOR. NTS VERT. _____

PLAN NO. 102-0013-002r005

WATERMAIN
SANITARY SEWER
STORM SEWER
OR OTHER UTILITY



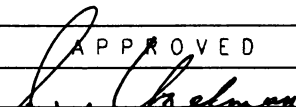
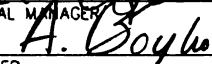
1. CURB BOX (WATER LINES) TO BE LAYED TO THE OUTSIDE
2. CENTER LINE MUST BE LOCATED & DUPLEX E.O.P. &
3. GRADES FOR BOTH CONNECTIONS WILL BE IDENTICAL UNLESS OTHERWISE STIPULATED.
4. DIMENSIONS ARE IN MILLIMETER UNLESS OTHERWISE SHOWN.

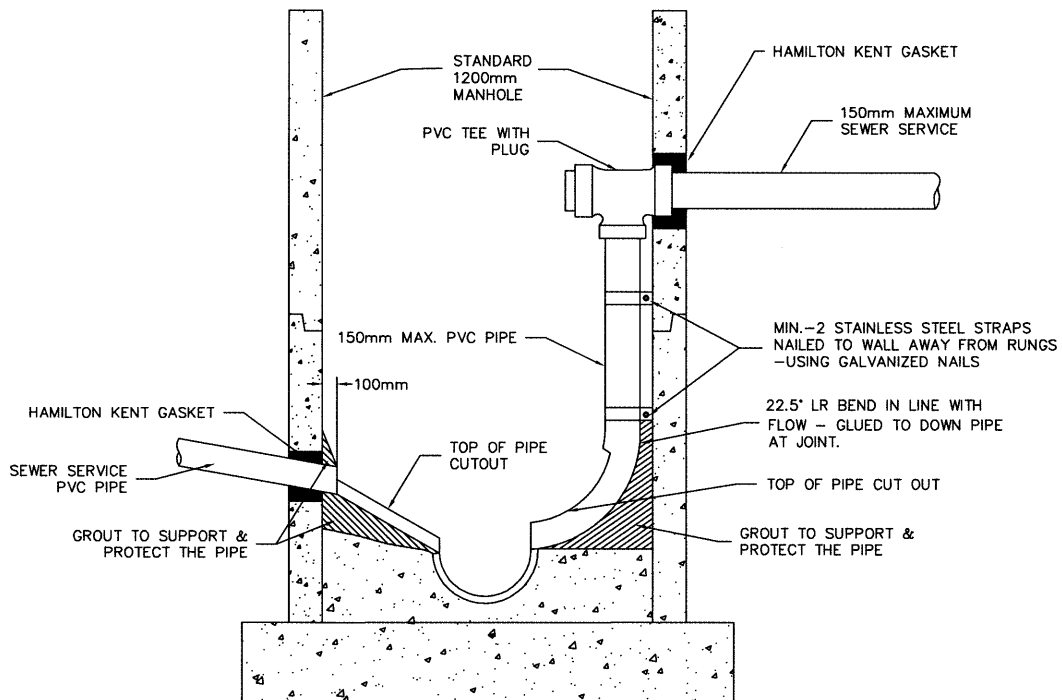
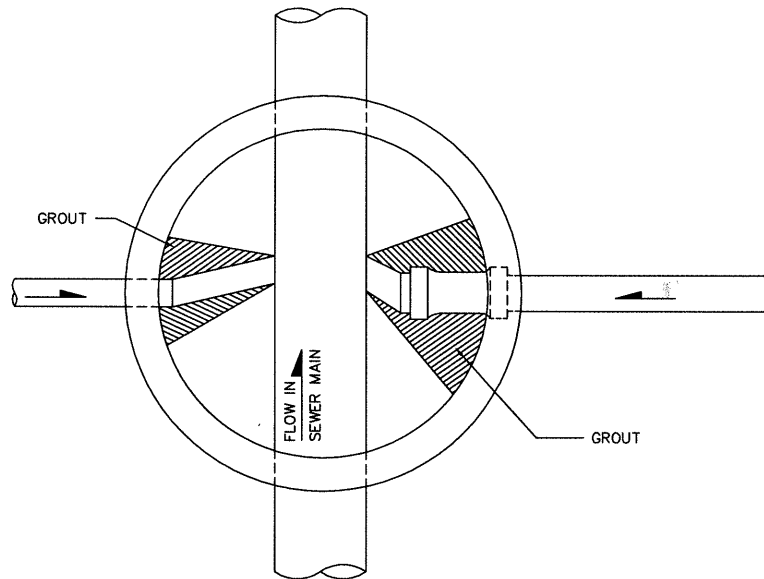
REVISIONS	
1	RBY 02/02/2000
2	
3	



TYPICAL DUPLEX WATER AND SEWER SERVICE CONNECTIONS

DRAWN BY R.F.
 DATE APR. 1, 1992
 CHECKED BY
 DATE

APPROVED

 GENERAL MANAGER P. ENG.

 ENGINEER
 ENGINEER
 SCALES : HOR. N.T.S. VERT.



NOTES:

- 1) INTERIOR DROP STRUCTURE TO BE USED WHERE DIFFERENCE BETWEEN MAIN AND SERVICE PIPE CROWNS EXCEEDS 750mm.
- 2) SERVICE ENTRANCE & DROP STRUCTURE MUST BE LOCATED CLEAR OF MH RUNGS.
- 3) MAXIMUM 150mm DIAMETER SERVICE PIPE FOR INTERNAL DROP STRUCTURES.

REVISIONS	
1	RBV 2000-08-02
2	HLO 2012-01-05
3	DJC 2012-01-05
DRAWN BY <u>E.D.N.</u>	
DATE <u>APR. 1, 1992</u>	
CHECKED BY _____	
DATE _____	

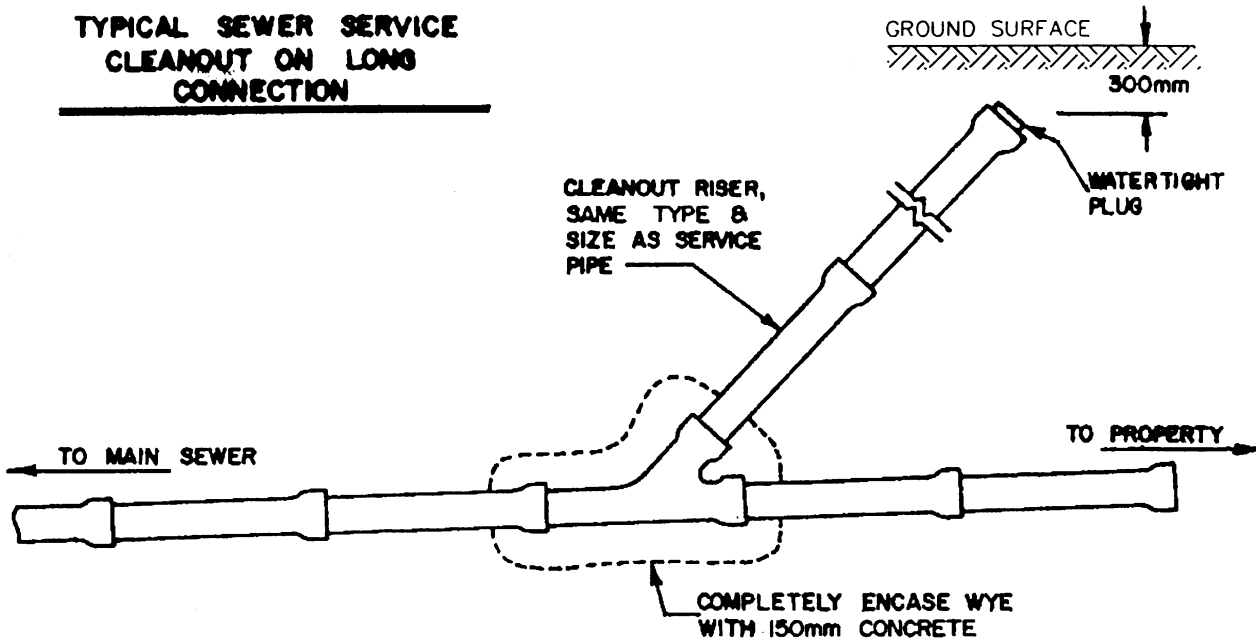


**City of
Saskatoon**
Infrastructure Services Department

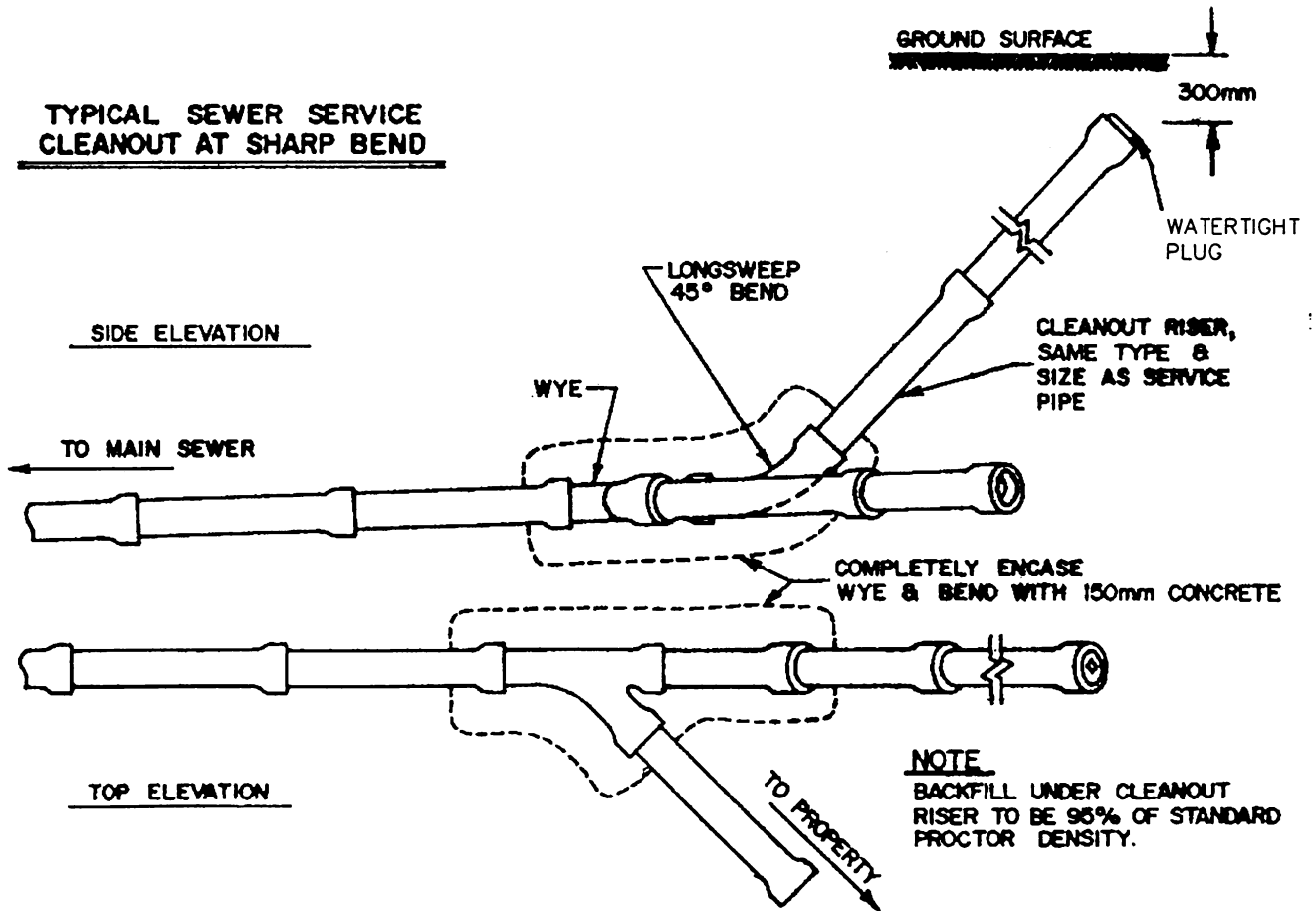
INTERIOR DROP STRUCTURE
AT SANITARY SEWER MANHOLE

APPROVED	
	ENGINEER
	ENGINEER
SCALES : HOR. <u>N.T.S.</u> VERT. _____	
PLAN NO. 102-0013-004r003	

**TYPICAL SEWER SERVICE
CLEANOUT ON LONG
CONNECTION**



**TYPICAL SEWER SERVICE
CLEANOUT AT SHARP BEND**



NOTE
BACKFILL UNDER CLEANOUT
RISER TO BE 95% OF STANDARD
PROCTOR DENSITY.

REVISIONS	
1	RBY 02/08/2000
2	
3	

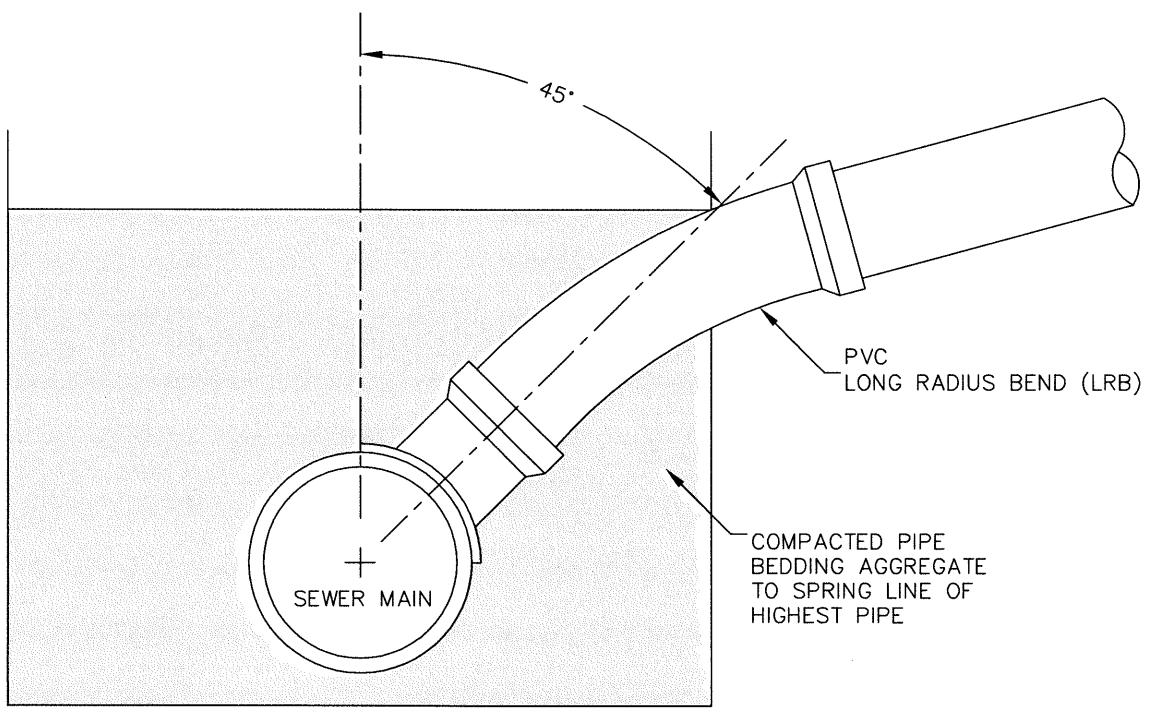
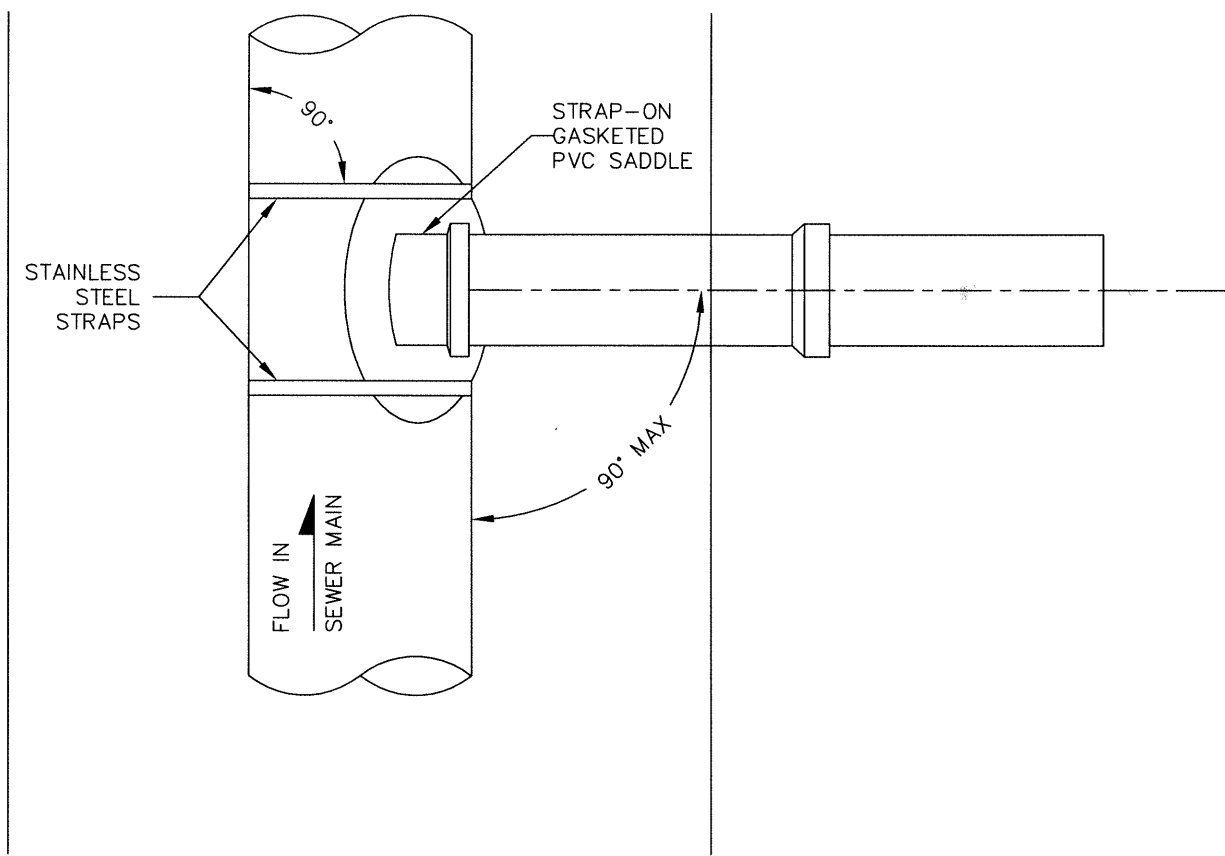
DRAWN BY E.D.N.
DATE APR. 1, 1992

CHECKED BY _____
DATE _____



TYPICAL SEWER SERVICE CLEANOUT

APPROVED	
<i>[Signature]</i>	
GENERAL MANAGER	P. ENG.
<i>A. Boyko</i>	
ENGINEER	
ENGINEER	
SCALES: HOR. <u>N.T.S.</u> VERT. _____	
08025-6	PLAN NO. 102-0013-005r001



PLAN DESCRIPTION/REVISIONS	
4	
3	
2	DJC 2014-DEC-08
1	RBY 02/08/2000
DRAWN BY <u>E.D.N.</u>	
DATE <u>APR. 1, 1992</u>	
SCALE : HOR. <u>N.T.S.</u> VERT. <u>N.T.S.</u>	



City of Saskatoon
Transportation & Utilities Department

TYPICAL SEWER TAPPING

APPROVED

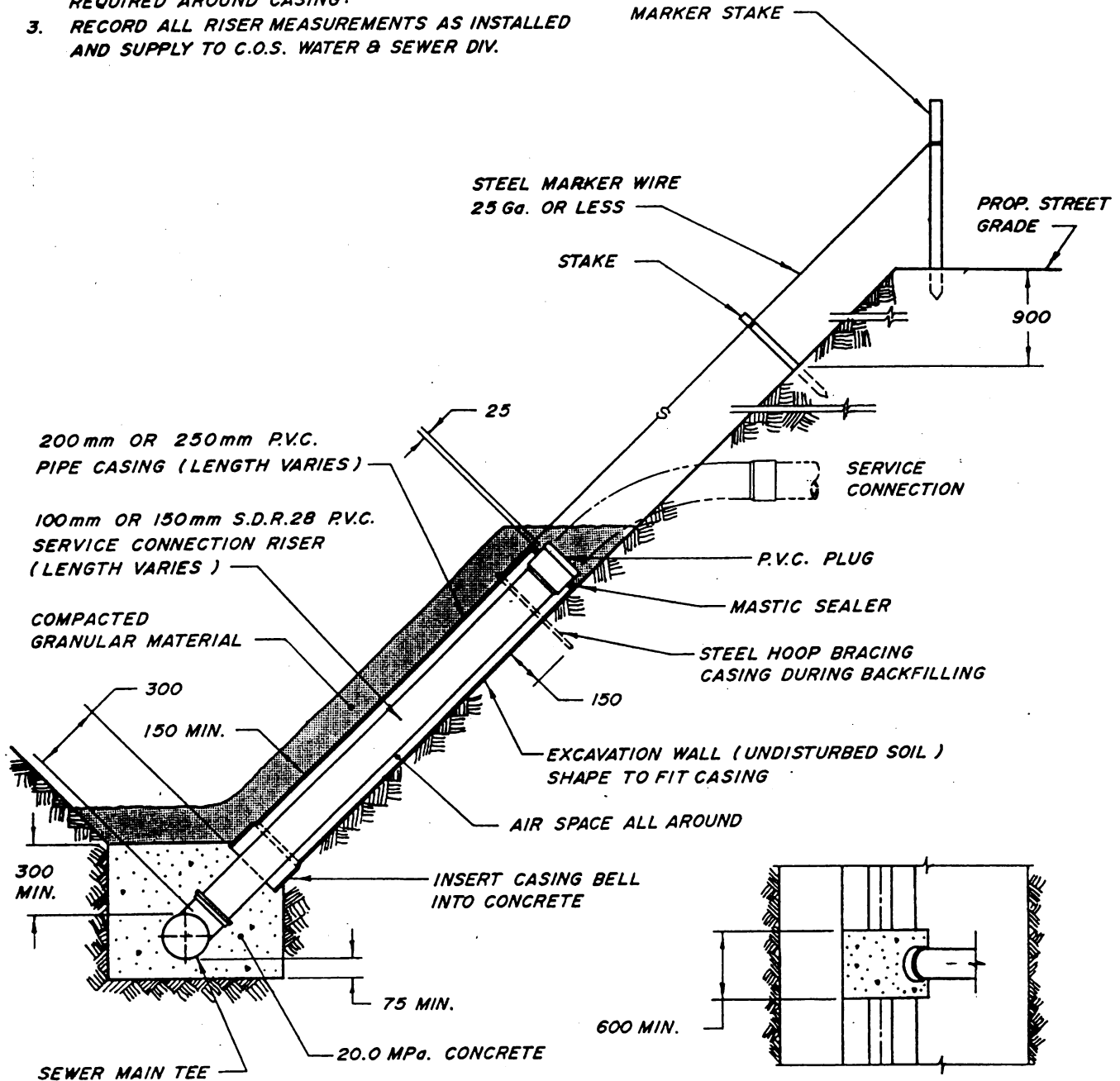
[Signature]
CHIEF ENGINEER

[Signature]
ENGINEER

PLAN NO. 102-0013-007r002

NOTE

1. TEE & JUNCTION TO BE SUPPORTED TO UNDISTURBED SOIL WITH POURED IN PLACE SULPHATE RESISTANT CONCRETE, MAX. 20mm AGGREGATE.
2. BACKFILL EXCAVATION IN LIFTS, COMPACTED GRANULAR MATERIAL TO 150mm MIN. REQUIRED AROUND CASING.
3. RECORD ALL RISER MEASUREMENTS AS INSTALLED AND SUPPLY TO C.O.S. WATER & SEWER DIV.



REVISIONS	
1	RBY 02/02/2000
2	
3	

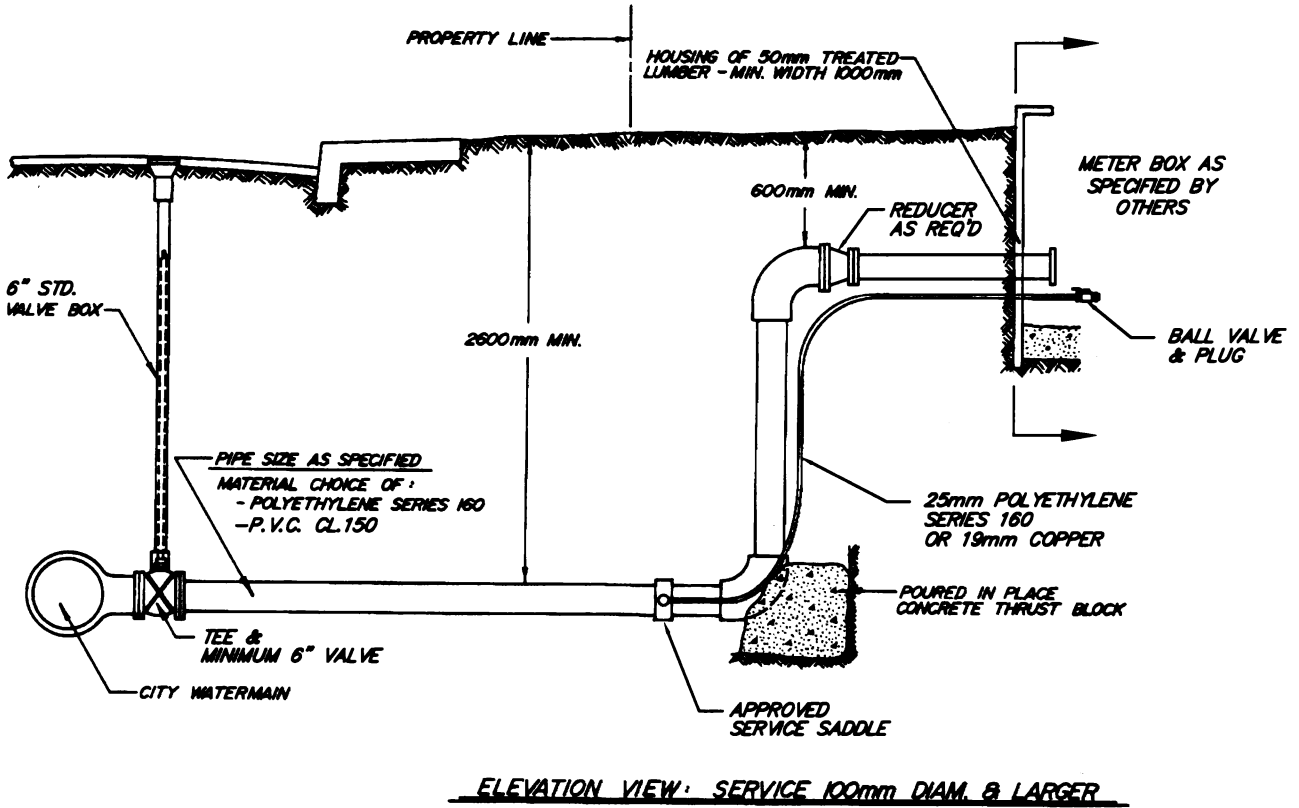


APPROVED
[Signature]
 GENERAL MANAGER P. ENG.
A. Boyko
 ENGINEER


DRAWN BY L.C.I.
 DATE APR. 1, 1992
 CHECKED BY _____
 DATE _____

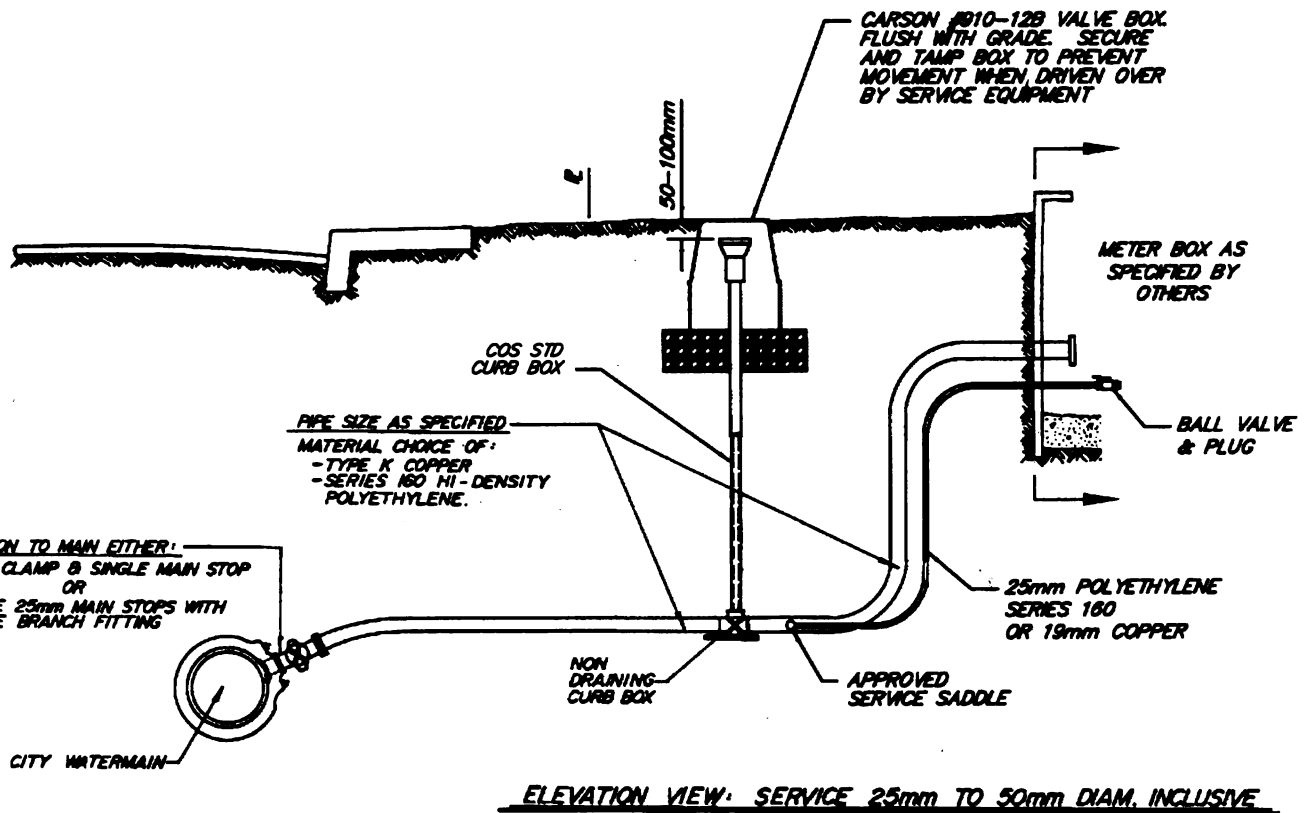
P.V.C. SERVICE CONNECTION
 RISER ASSEMBLY

ENGINEER _____
 SCALES: HOR. N.T.S. VERT. _____
 08025-4 PLAN NO. 102-0013-008r001




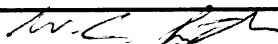

NOTE:
ALL JOINTS RESTRAINED

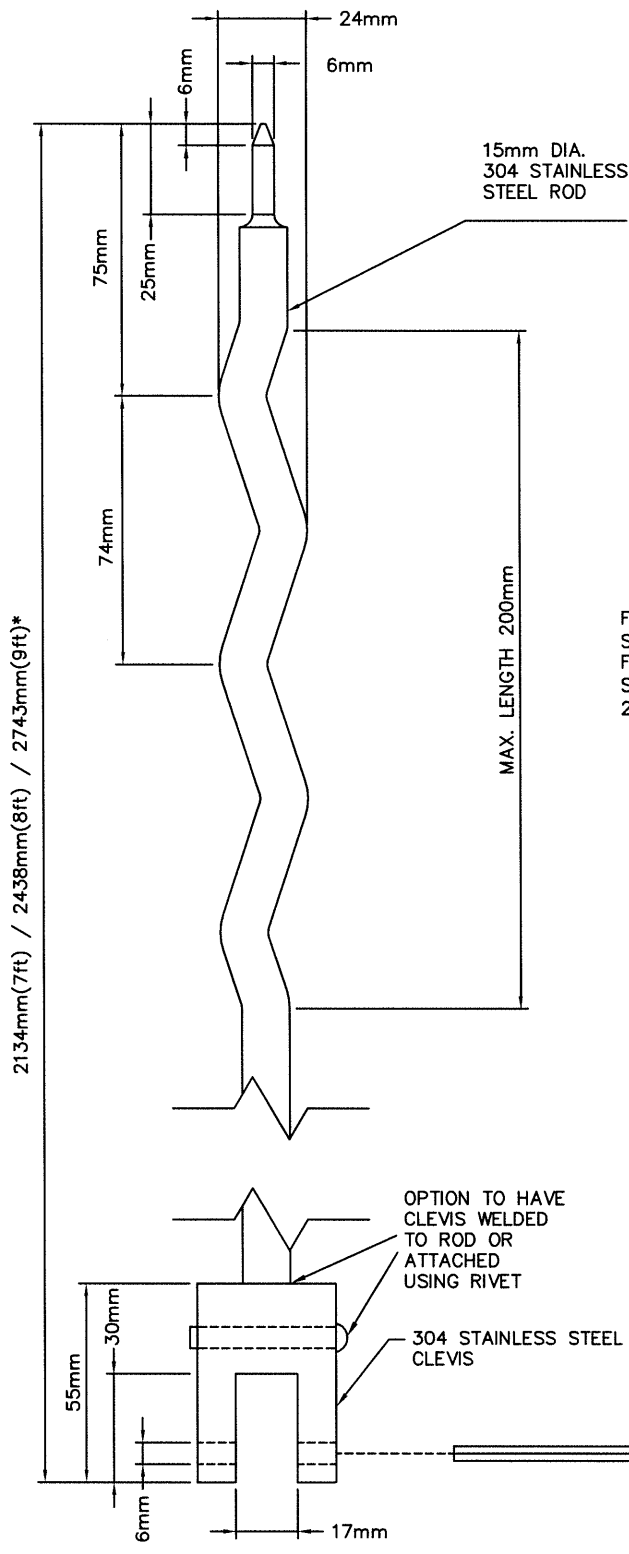
<p>REVISIONS</p> <table border="1" style="width: 100%; border-collapse: collapse;"> <tr><td style="width: 5%;">1</td><td>RBY 02/08/2000</td></tr> <tr><td>2</td><td>MJ 2006-01-31</td></tr> <tr><td>3</td><td></td></tr> </table>	1	RBY 02/08/2000	2	MJ 2006-01-31	3		 <p>—City of— Saskatoon</p> <p>INFRASTRUCTURE SERVICES</p>	<p style="text-align: center;">APPROVED</p> <p style="text-align: center;"><i>[Signature]</i> GENERAL MANAGER P. ENG.</p> <p style="text-align: center;"><i>[Signature]</i> ENGINEER</p> <p style="text-align: center;">ENGINEER</p> <p>SCALES : HOR. N.T.S. VERT. _____</p> <p>PLAN NO. 102-0013-009r001</p>
1	RBY 02/08/2000							
2	MJ 2006-01-31							
3								
<p>DRAWN BY <u>E.D.N.</u> DATE <u>APR. 1, 1992</u></p> <p>CHECKED BY _____ DATE _____</p>	<p>100mm SEASONAL WATER SERVICE CONNECTION</p>							



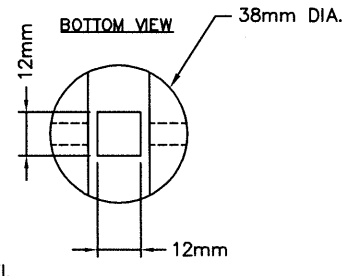
NOTES:

- 1) METER & CONTROLS TO BE ONE STANDARD SIZE SMALLER THAN PIPE.
- 2) SOLVENT-WELD FITTINGS & COMPANION FLANGES MAY BE USED WITH P.V.C. PIPE FOR ALL WORK OFF-STREET.
- 3) ALL WORK ON STREET TO CONFORM TO STL CITY SPEC. FOR SERVICE CONNECTIONS.

REVISIONS		 INFRASTRUCTURE SERVICES City of Saskatoon	APPROVED	
1	RBV 02/08/2000		 GENERAL MANAGER P. ENG.  ENGINEER	
2	MJ 2006-01-31		ENGINEER SCALES: HOR. N.T.S. VERT. _____ PLAN NO. 102-0013-010r001	
3		50mm SEASONAL WATER SERVICE CONNECTION		
DRAWN BY <u>E.D.N.</u> DATE <u>APR. 1, 1992</u>				
CHECKED BY _____ DATE _____				



NOTE:
 FOR NEW INSTALLATIONS THE SPINDLE SHALL BE 2134mm(7ft)
 FOR REHABILITATION WORK THE SPINDLE SHALL BE 2134mm(7ft), 2438mm(8ft) or 2743mm(9ft)



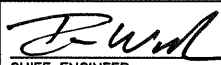
REVISIONS	
1	ADDED 2438/2743mm SPINDLE LENGTHS HLO 2011-02-22
2	ADDED OPTION TO WELD CLEVIS TO ROD HLO 2017-JAN-25
3	
4	


DRAWN BY J.M.H.
 DATE MARCH 12, 2003

SCALES :
 HOR. 1:2 VERT. 1:2

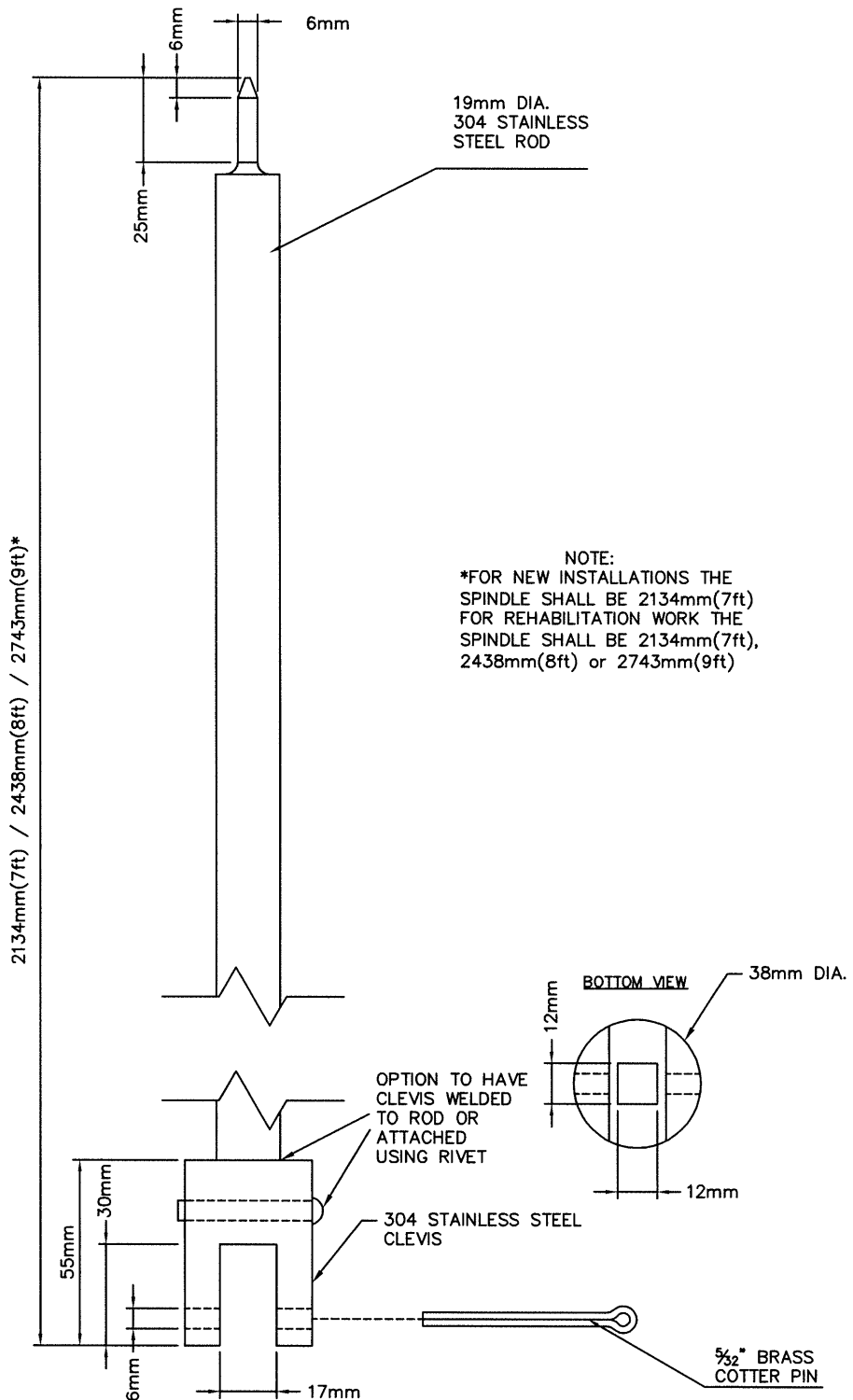

City of Saskatoon
 Transportation & Utilities Department

15mm SPINDLE DETAILS


 CHIEF ENGINEER
JAN 30 2017
 DATE



 ENGINEER
JAN 30 2017
 DATE


PLAN NO. 102-0013-013r003



REVISIONS	
1	ADDED 2438/2743mm SPINDLE LENGTHS HLO 2011-02-22
2	ADDED OPTION TO WELD CLEVIS TO ROD HLO 2017-JAN-25
3	
4	


City of Saskatoon
 Transportation & Utilities Department


 CHIEF ENGINEER
 DATE **JAN 30 2017**


 ENGINEER
 DATE **JAN 30 2017**

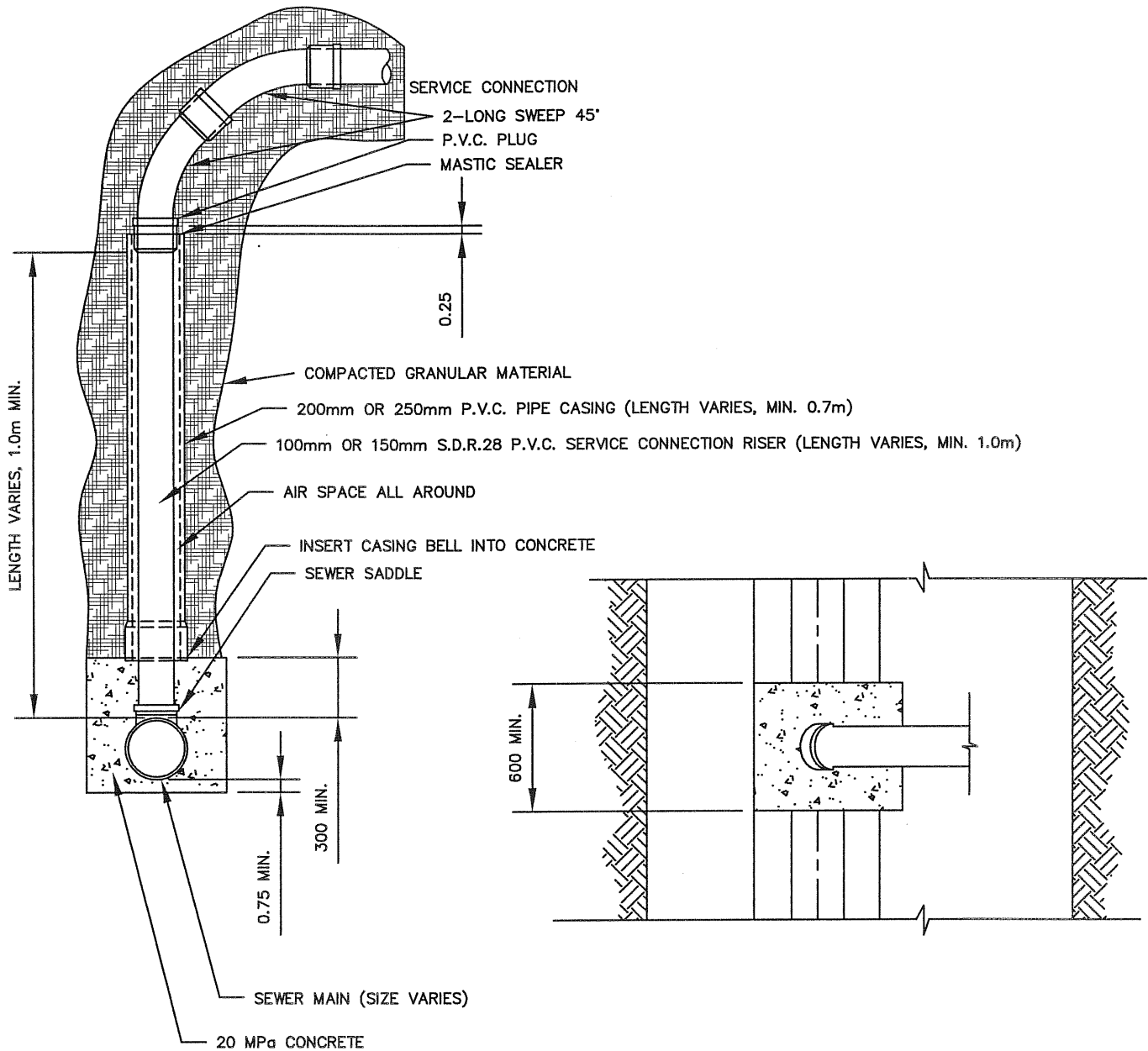
19mm SPINDLE DETAILS

DRAWN BY J.M.H.
 DATE MARCH 12, 2003
 SCALES :
 HOR. 1:2 VERT. 1:2

PLAN NO. 102-0013-015r003

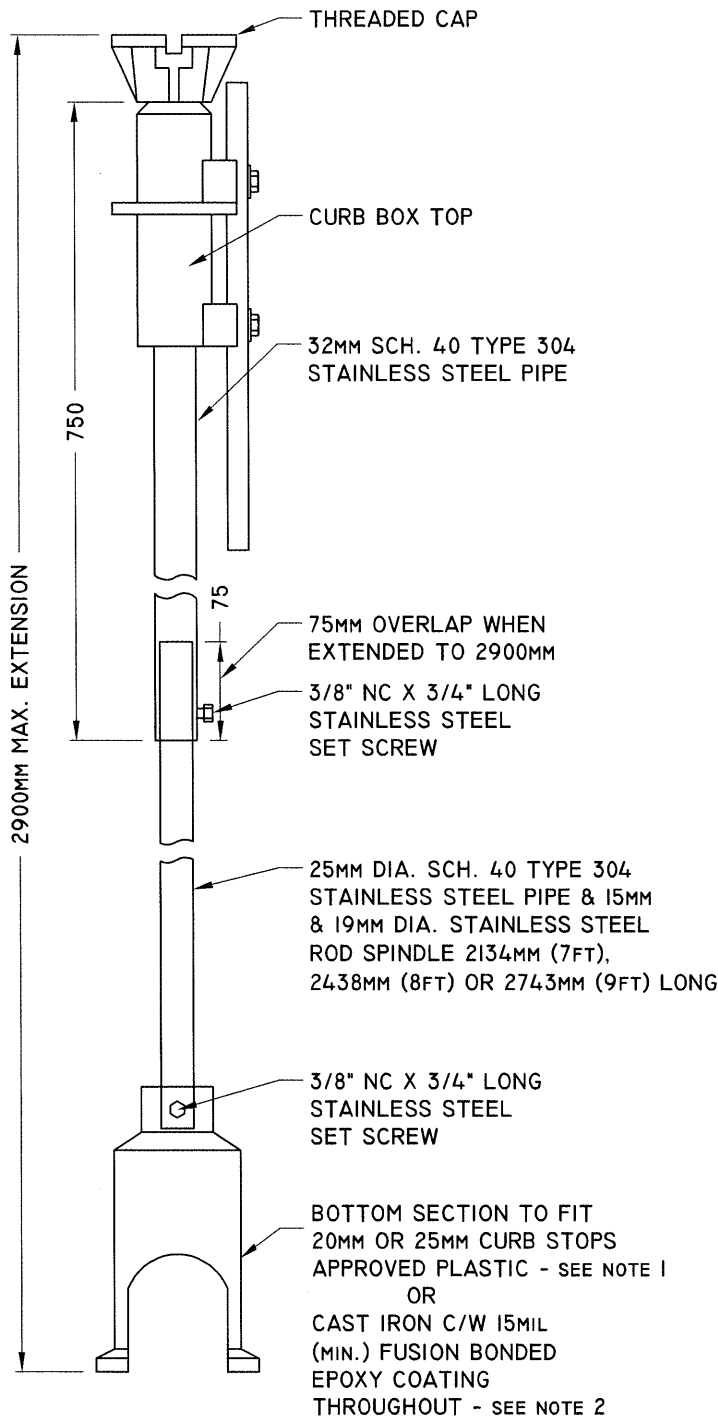
NOTE:

1. TEE & JUNCTION TO BE SUPPORTED TO UNDISTURBED SOIL WITH POURED IN PLACE SULPHATE RESISTANT CONCRETE
2. BACKFILL EXCAVATION IN LIFTS, COMPACTED GRANULAR MATERIAL TO 150mm MIN.
3. RECORD ALL RISER MEASUREMENTS AS INSTALLED AND SUPPLY TO C.O.S. WATER AND SEWER DIVISION



*RISERS PERMITTED WHEN SEWER INVERT MINIMUM 5.0m BELOW PAVEMENT

<p>REVISIONS</p> <table border="1"> <tr><td>1</td><td></td></tr> <tr><td>2</td><td></td></tr> <tr><td>3</td><td></td></tr> </table>		1		2		3		 <p>City of Saskatoon Infrastructure Services Department</p>	<p>APPROVED</p> <p><i>[Signature]</i> GENERAL MANAGER</p> <p><i>[Signature]</i> ENGINEER</p> <p><i>[Signature]</i> ENGINEER</p>	
1										
2										
3										
<p>DRAWN BY <u>RAM</u> DATE <u>MAR. 27, 2007</u></p> <p>CHECKED BY _____ DATE _____</p>		<p>SCALES : HOR. <u>N.T.S.</u> VERT. _____</p> <p>PLAN NO. 102-0013-016r001</p>								
<p>PVC SERVICE CONNECTION VERTICAL RISER ASSEMBLY (RECONSTRUCTION ONLY)</p>										



NOTE 1
APPROVED PLASTIC BOTTOM SECTION

NON-CORRODIBLE ACRYLONITRILE BUTADIENE STYRENE (ABS) PLASTIC OR TDI(TOLUENE DIISOCYANATE)-TERMINATED LIQUID URETHANE PREPOLYMER.

NOTE 2
CAST IRON BOTTOM SECTION
c/w FUSION BONDED EPOXY

UNLESS OTHERWISE SPECIFIED THE MATERIALS AND APPLICATION OF THIS COATING SHALL CONFORM TO THE AWWA STANDARD C213-96. THE COATING MATERIAL SHALL BE A 100% SOLID, THERMOSETTING, FUSION BONDED, DRY POWDER EPOXY RESIN, APPROVED FOR CONTACT WITH POTABLE WATER BY THE NATIONAL SANITATION FOUNDATION (NSF). POWDERS SHALL BE ONE OF THE FOLLOWING PRODUCTS OR APPROVED EQUAL:

- VALSPAR, D 1003 LD
- VALSPAR, G 1003 RB
- NAP-GARD MARK X 7-2500
- 3M, SCOTCHKOTE 134

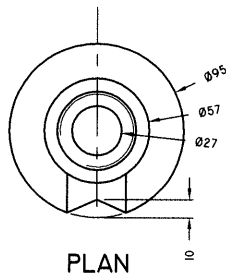
THE SURFACE PREPARATION SHALL CONFORM TO SEC. 3.2 OF THE AWWA STANDARD C213-96. THESE COATINGS SHALL BE THE FLUIDIZED BED METHOD OR THE ELECTROSTATIC POWDER SPRAY GUN METHOD. THE COATING THICKNESS SHALL BE 0.50MM (15 MIL) MINIMUM, 0.64MM (20 MIL) MAXIMUM.

PLAN DESCRIPTION/REVISIONS	
4	
3	
2	
1	APPROVED PLASTIC BOTTOM SECTION AND NOTE 1 ADDED 2017-JAN-25 HLO
DRAWN BY HLO	
DATE 2015-DEC-31	
SCALE : HOR. NTS VERT. NTS	

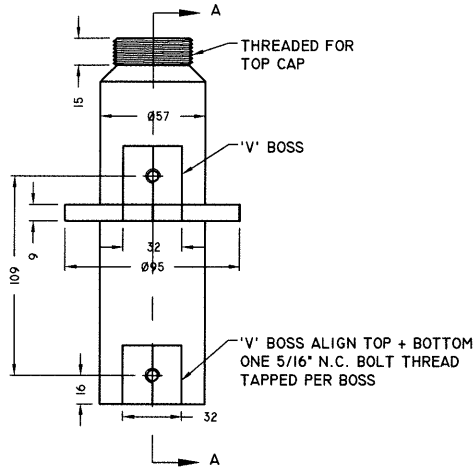


STANDARD CURB BOX

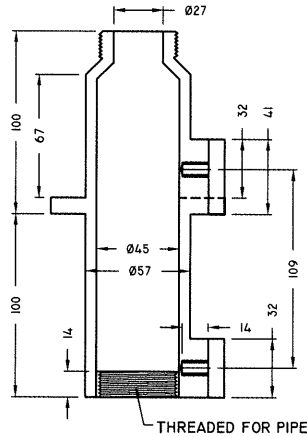
CHIEF ENGINEER	JAN 30 2017
	DATE
ENGINEER	JAN 30 2017
	DATE
PLAN NO.	102-0013-017r002



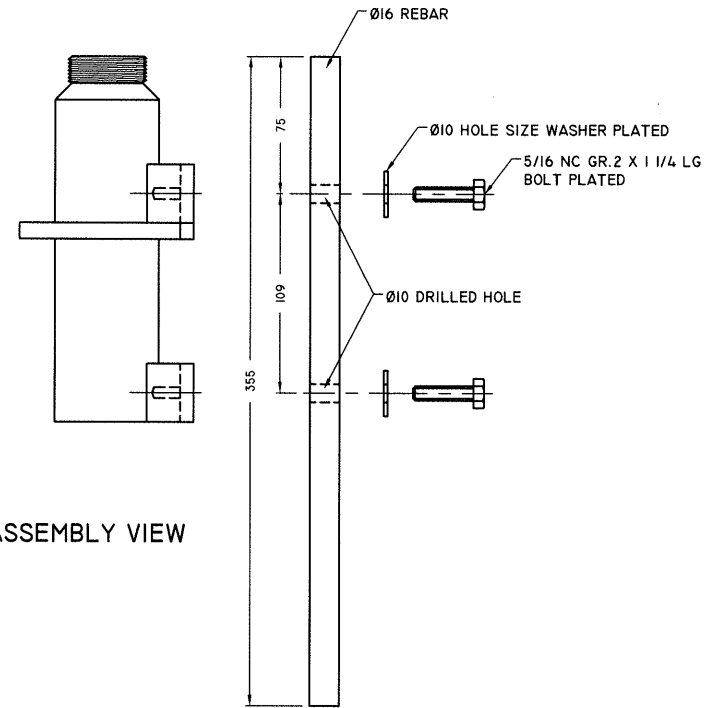
PLAN



FRONT VIEW



SECTION A-A



ASSEMBLY VIEW

COATING AS FOLLOWS:

- RILSAN POLYAMIDE II COATING.
- UNLESS OTHERWISE SPECIFIED THE MATERIALS AND APPLICATIONS OF THIS COATING SHALL CONFORM TO THE AWWA STANDARD C-224.
- THE COATING SYSTEM IS COMPRISED OF A PRIMER AND A 100% SOLID TOPCOAT PROCESSED FROM RENEWABLE RAW MATERIALS. THIS SYSTEM IS A THERMOPLASTIC, ELECTROSTATICALLY APPLIED COATING APPROVED FOR CONTACT WITH PORTABLE WATER BY THE NATIONAL SCIENCE FOUNDATION (NSF61).
- THE POWDER SHALL BE ARKEMA RILSAN MAC 820 BLACK.
- THE SURFACE PREPARATION SHALL CONSIST OF GRIT BLASTING TO ACHIEVE A SURFACE PROFILE OF 0.5 TO 1.0 MIL.
- A PRIMER WILL BE APPLIED TO ENSURE MAXIMUM CORROSION, CHEMICAL AND IMPACT RESISTANCE PROPERTIES ARE ACHIVED.
- THE TOPCOAT APPLIED BY THE ELECTROSTATIC SPRAY METHOD TO A COATING THICKNESS OF 3.0 TO 7.0 MIL AND CURED TO A TEMPERATURE CONTROLLED OVEN ACCORDING TO THE MANUFACTURER'S SPECIFICATIONS.

MATERIAL SPECIFICATIONS AND MASS:
GREY CAST IRON A.S.T.M. A48 CLASS 20

PLAN DESCRIPTION/REVISIONS	
4	
3	
2	
1	
DRAWN BY <u>HLO</u>	
DATE <u>2015-DEC-31</u>	
SCALE : HOR. <u>NTS</u> VERT. <u>NTS</u>	

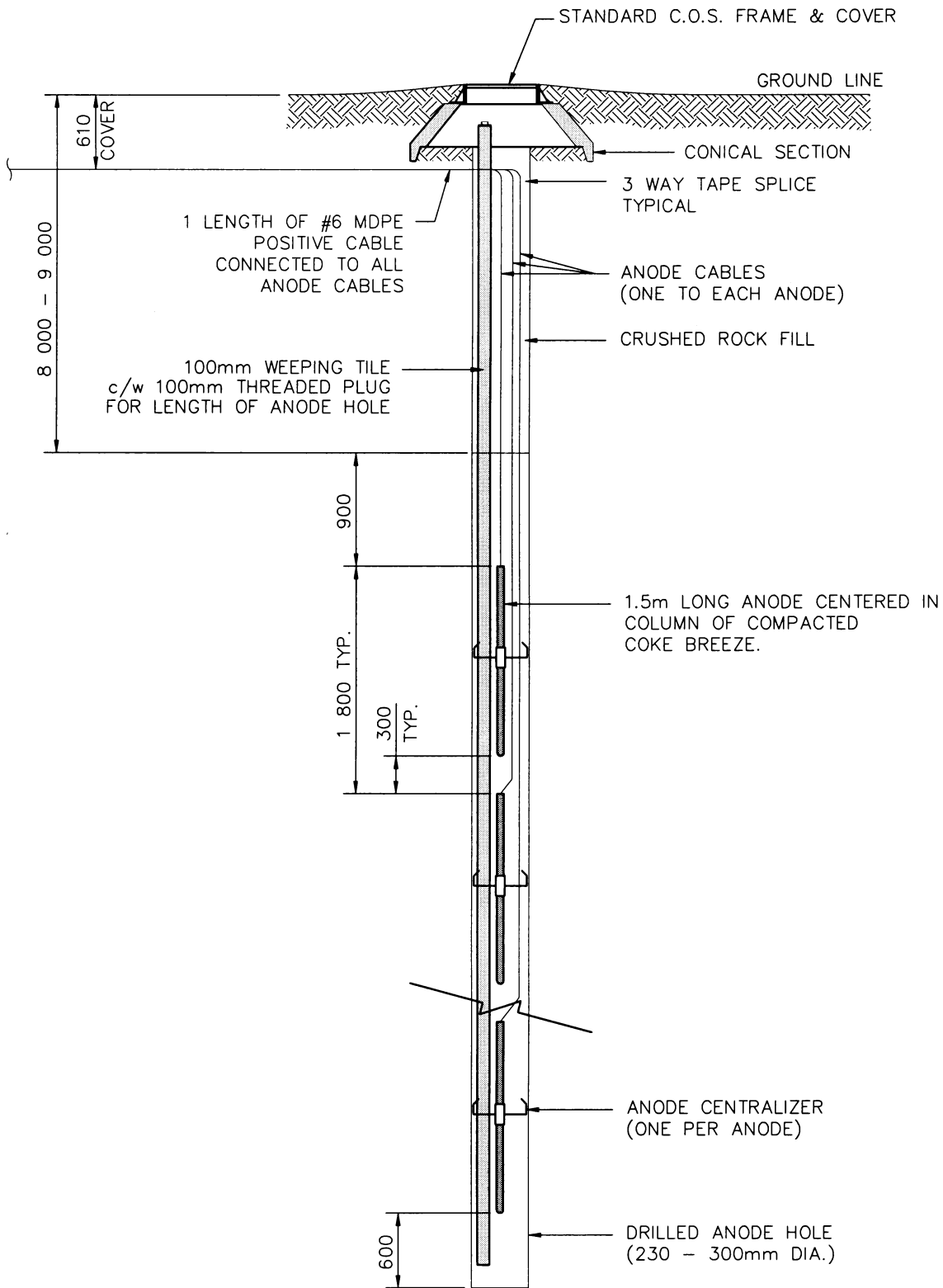


City of Saskatoon

Transportation & Utilities Department

SERVICE BOX TOP

CHIEF ENGINEER	<u>[Signature]</u>
DATE	<u>JAN 08 2016</u>
ENGINEER	<u>[Signature]</u>
ENGINEER	<u>[Signature]</u>
PLAN NO.	<u>102-0013-018r001</u>



ALL DIMENSIONS IN MILLIMETRES UNLESS OTHERWISE NOTED

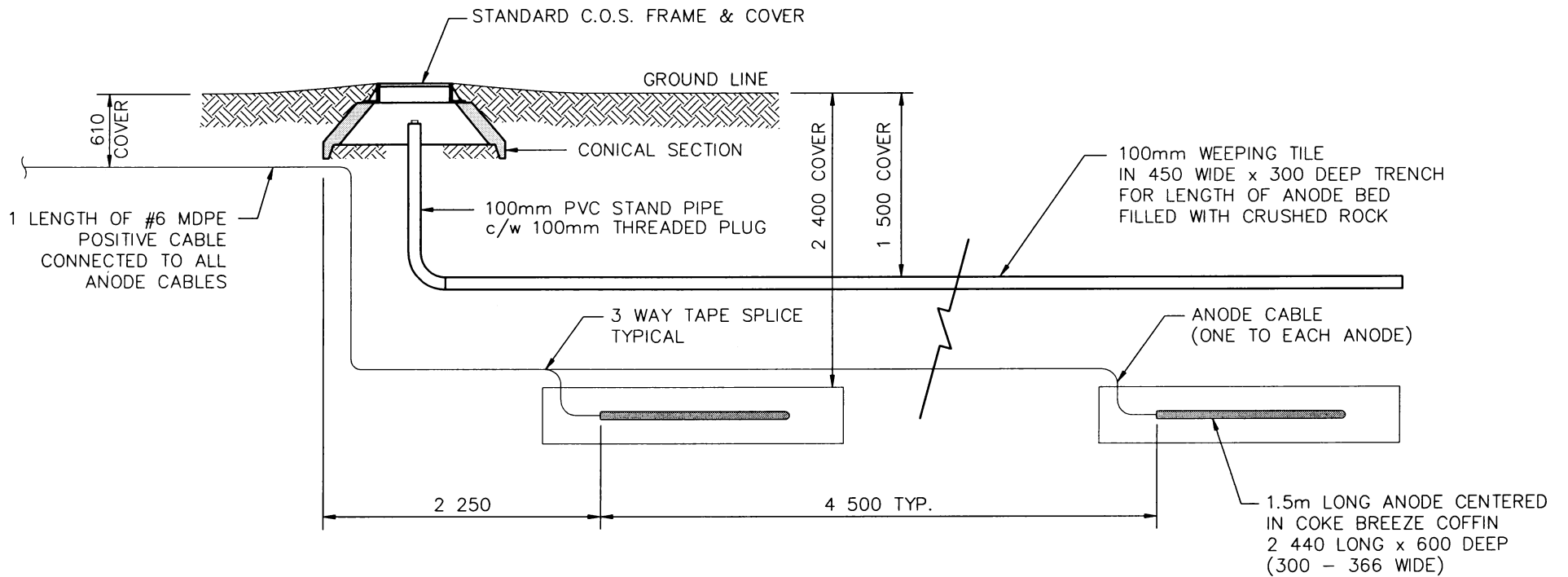
REVISIONS	
1	REV. MJ 2000-10-13
2	
3	



MULTIPLE IMPRESSED CURRENT
ANODE GROUND BED
VERTICAL INSTALLATION

DRAWN BY	G.R.F.
DATE	91-07-25
CHECKED BY	
DATE	

APPROVED	
<i>[Signature]</i>	P. ENG.
GENERAL MANAGER	
<i>[Signature]</i>	
ENGINEER	
ENGINEER	
SCALES :	
HOR. NTS	VERT. _____
PLAN NO.	102-0014-001r001



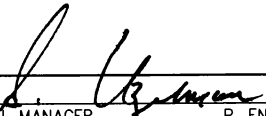
ALL DIMENSIONS IN MILLIMETRES UNLESS OTHERWISE NOTED

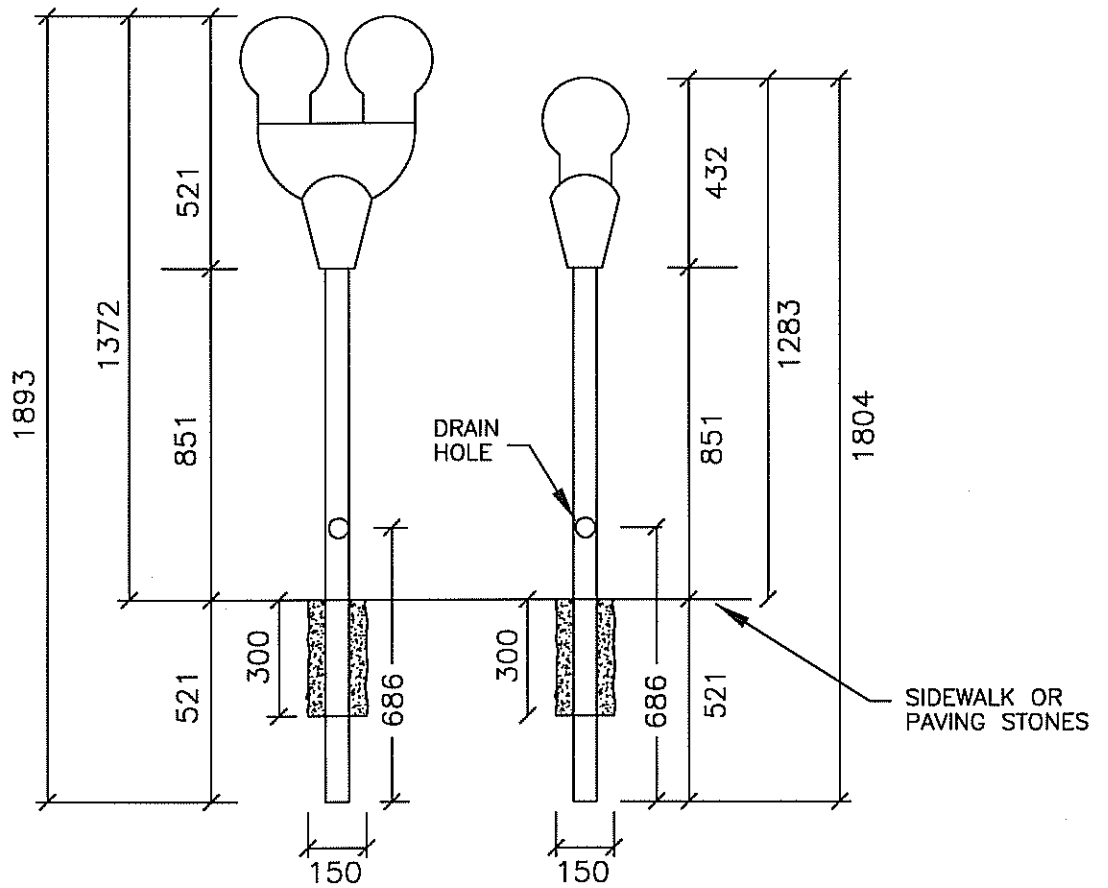
DRAWN BY GRF
 DATE 91-07-22
 CHECKED BY A. Boyle
 DATE

REVISIONS	
1	REV. MJ 2000-10-17
2	
3	



MULTIPLE IMPRESSED CURRENT
 ANODE GROUND BED
 HORIZONTAL INSTALLATION


 GENERAL MANAGER P. ENG.
 DATE Oct. 30, 2000
 SCALES : HOR. NTS VERT.
 PLAN NO. 102-0014-002r001



POST 60mm O.D. PIPE
 4mm WALL
 GALVANIZED
 1372mm LONG
 9mm DIA. DRAIN HOLE

NOTE:
 DIMENSIONS ARE IN MILLIMETERS

REVISIONS	
1	HLO 08-02-29
2	
3	

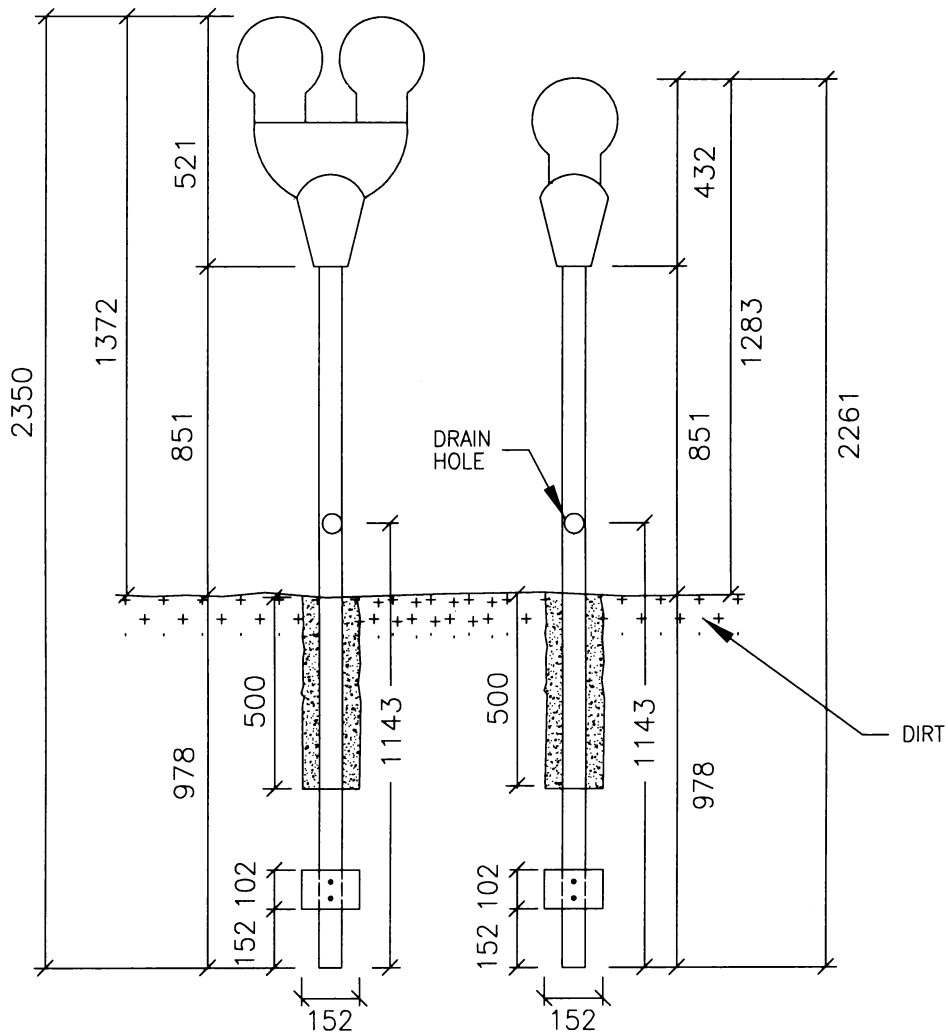
DRAWN BY CJP
 DATE 00 02 24

CHECKED BY _____
 DATE _____




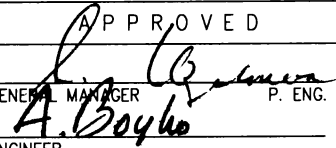
TYPE 1
 PARKING METER INSTALLATION

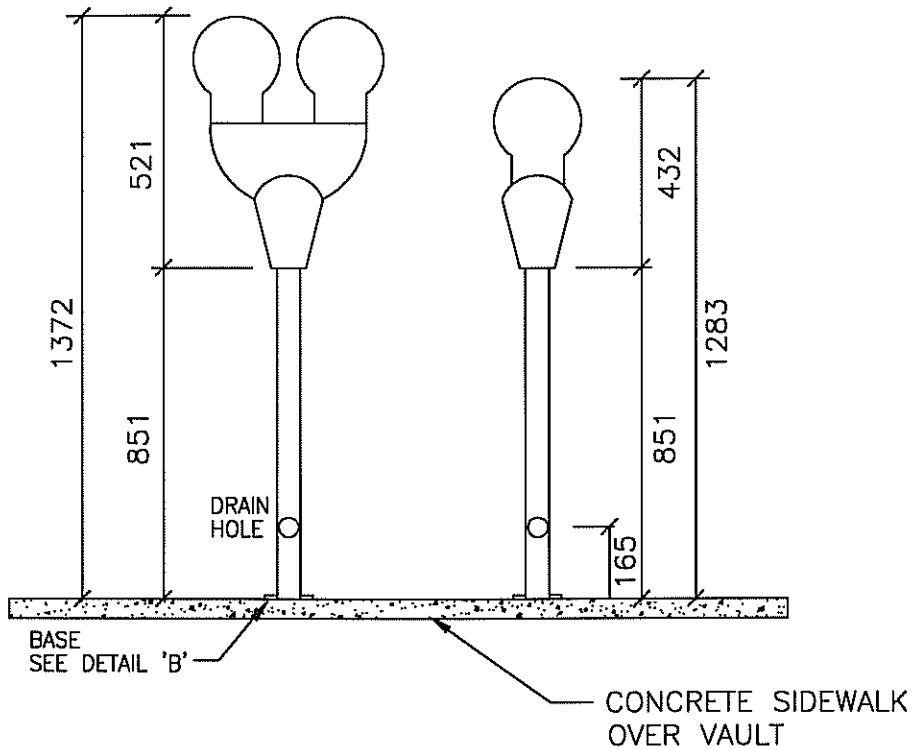
APPROVED	
<i>[Signature]</i>	P. ENG.
GENERAL MANAGER	
ENGINEER	<i>[Signature]</i>
ENGINEER	<i>[Signature]</i>
SCALES : HOR. 1:20 VERT.	
PLAN NO. 102-0015-001r002	



POST 60mm O.D. PIPE
 4mm WALL
 GALVANIZED
 1829mm LONG
 9mm DIA. DRAIN HOLE
 8mm THICK BUCK PLATE

NOTE:
 DIMENSIONS ARE IN MILLIMETERS

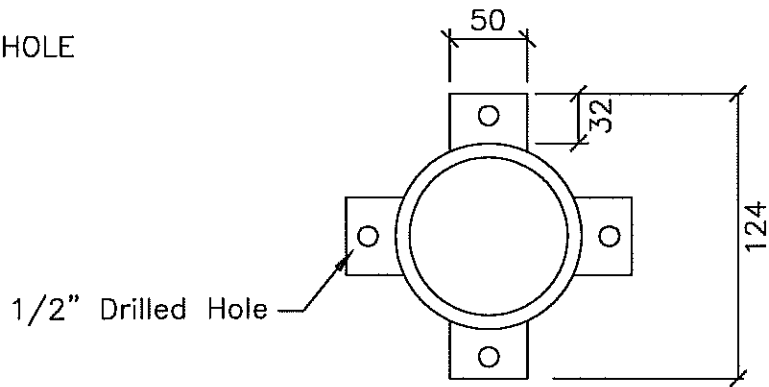
REVISIONS 1 CHANGED TO 4mm WALL 04 10 CJP 2 3		 City of Saskatoon INFRASTRUCTURE SERVICES	APPROVED  GENERAL MANAGER P. ENG. A. Boyko ENGINEER
DRAWN BY <u>CJP</u> DATE <u>00 02 28</u> CHECKED BY _____ DATE _____			TYPE 2 PARKING METER INSTALLATION ENGINEER _____ SCALES : HOR. 1:20 VERT. _____ PLAN NO. 102-0015-002r002



POST 60mm O.D. PIPE
 4mm WALL
 GALVANIZED
 851mm LONG
 9mm DIA. DRAIN HOLE

DETAIL 'B'

SCALE: NTS



BASE 124mm DIA. X 9mm THICK
 WEDGE BOLT ANCHOR 10mm DIA X 64mm LONG

NOTE:
 DIMENSIONS ARE IN MILLIMETERS

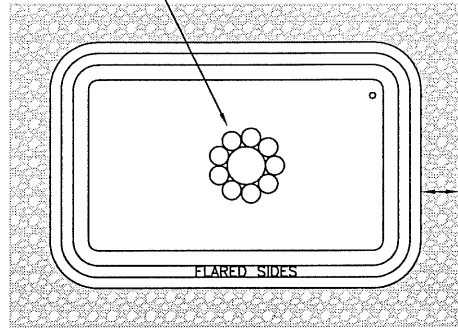
REVISIONS		
1	HLO	08-02-29
2		
3		
DRAWN BY <u>CJP</u>		
DATE <u>00 02 28</u>		
CHECKED BY _____		
DATE _____		



TYPE 3
 PARKING METER INSTALLATION

APPROVED		
<i>[Signature]</i>		P. ENG.
GENERAL MANAGER		
ENGINEER		
<i>[Signature]</i>		
ENGINEER		
SCALES :		
HOR. 1:20	VERT.	
PLAN NO. 102-0015-003r002		

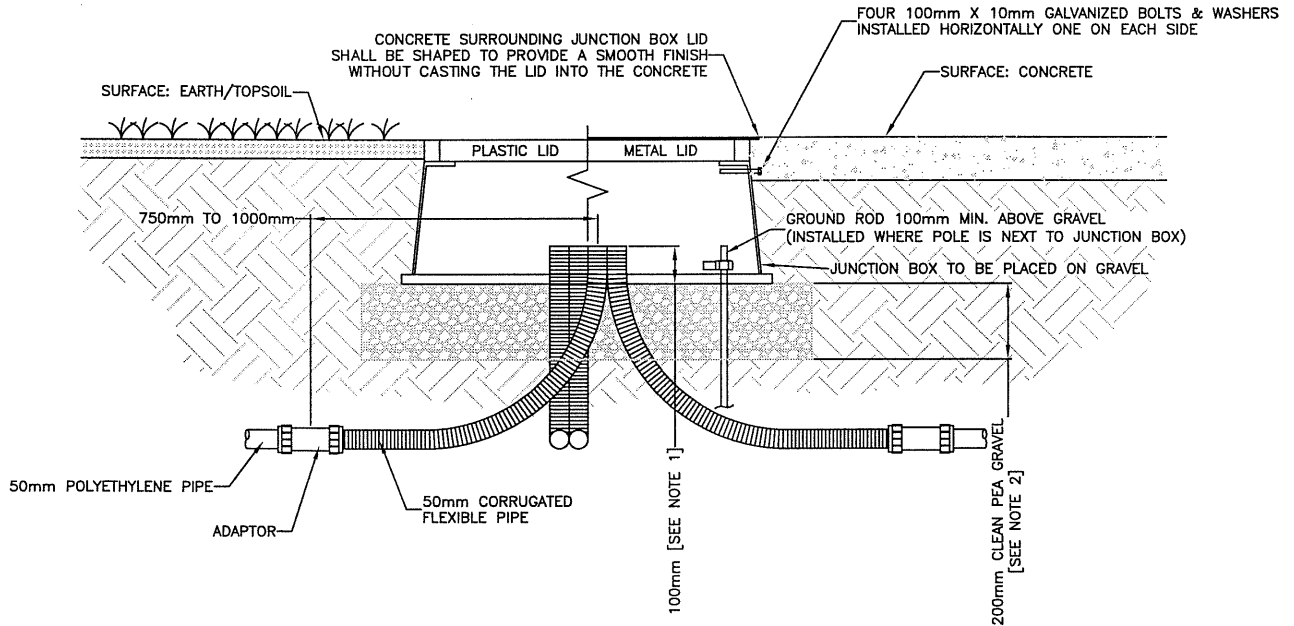
CENTRE DUCTS IN JUNCTION BOX.
 IF THE JUNCTION BOX IS CLOSEST TO THE CABINET
 INSTALL 2-100mm 90° ELBOWS TO CABINET IN CENTRE
 AND ALL OTHER DUCTS AROUND IT. SEE DWG. 102-0016-033
 ATTACH ALL DUCTS TOGETHER WITH DUCT TAPE OR ZIP TIES.



TOP VIEW

NOTES:

1. CONDUIT TO BE CUT PARALLEL TO SURFACE
2. CLEAN PEA GRAVEL SHALL BE SUFFICIENTLY COMPACTED TO PREVENT SHIFTING OF THE JUNCTION BOX



FRONT VIEW

PLAN DESCRIPTION/REVISIONS	
4	REVISED NOTES
3	REVISED DUCT LAYOUT
2	
1	
DRAWN BY <u> RPH </u>	
DATE <u> 2003-APR-28 </u>	
SCALE : HOR. <u> NTS </u> VERT. <u> </u>	



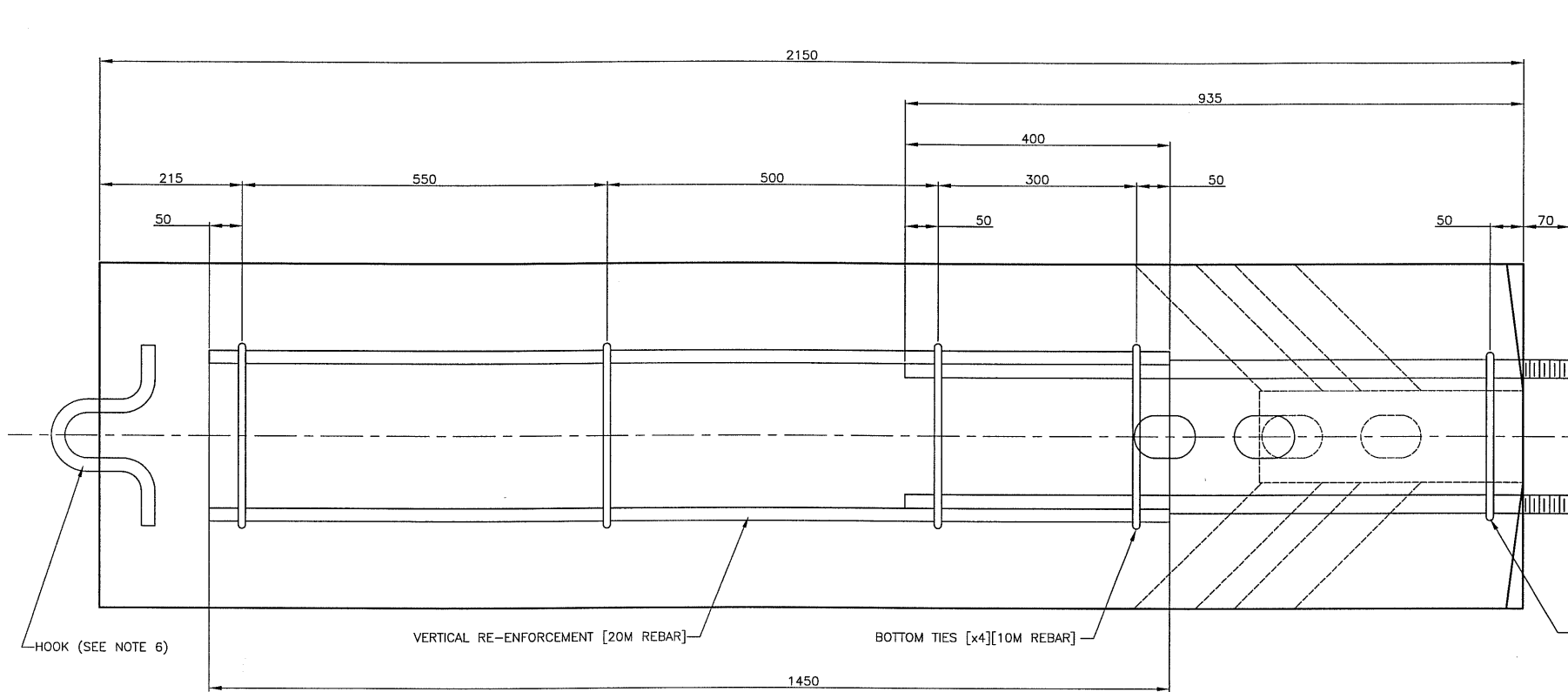
City of Saskatoon
Infrastructure Services Department

JUNCTION BOX
 INSTALLATION DETAILS
 SPECIFICATION 12600-7

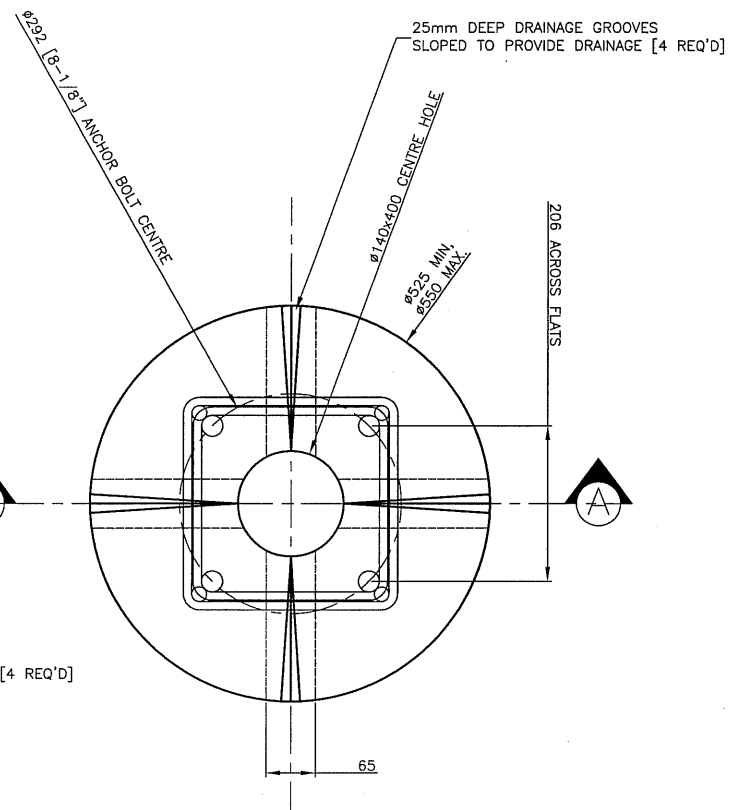
APPROVED

 GENERAL MANAGER
 MAR 19, 11

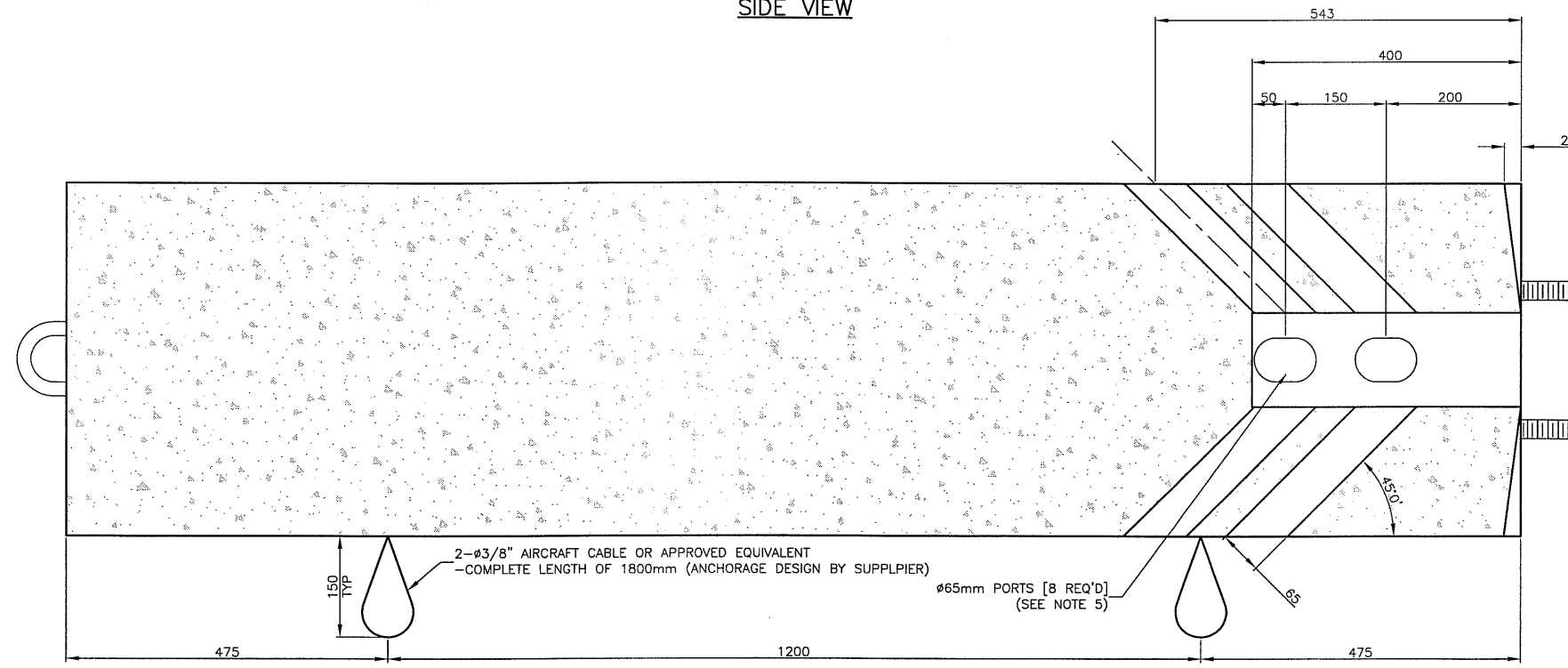
 ENGINEER
 ENGINEER
 PLAN NO. 102-0016-019r004



SIDE VIEW



TOP VIEW



SECTION A-A

NOTES

- ANCHOR BOLTS SHALL BE $\phi 1-1/8"$ x 1005mm DEFORMED STEEL BAR, SIZED TO ACCOMMODATE AN 1-1/8"(I.D.) NUT, THREADED TOP 85mm, HOT-DIPPED GALVANIZED TOP 300mm, SUPPLIED WITH GALVANIZED NUT AND WASHER.
- ANCHOR BOLTS SHALL BE CENTRED PRECISELY IN BASE, AND SHALL HAVE A 206mm BOLT SQUARE OR A $\phi 292$ mm [8-1/8"] BOLT CENTRE.
- CONCRETE SHALL BE 35 MPa ALKALI RESISTANT, $\phi 38$ mm AGGREGATE, AND STEAM CURED. TOP SHALL BE SMOOTH, LEVEL, AND HAVE 4 DRAINAGE GROOVES AS SHOWN
- REINFORCING CAGE SHALL BE SPOT-WELDED TOGETHER AND TO THE ANCHOR BOLTS.
- ALL CABLE PORTS SHALL BE A MIN. OF 65mm I.D. AND SHALL BE CLEAR AND FREE OF DEBRIS.
- INTEGRATE REBAR LOOP AT BOTTOM OF BASE, TO BE USED AS AN ATTACHMENT POINT FOR CHAIN HOOK TO ASSIST IN LOADING AND UNLOADING OF POLE BASE. MUST BE INSTALLED IN SUCH A MANNER TO WITHSTAND THE WEIGHT OF THE POLE BASE.
- ALL DIMENSION ARE IN MILLIMETERS UNLESS OTHERWISE STATED.

NO.	PLAN DESCRIPTION/REVISION	DATE	BY
11			
10			
9			
8			
7			
6			
5			
4	REVISED BASE DIAMETER AND NOTE 5	2010-APR-27	BAJ
3	ADDED AIRCRAFT CABLE LIFTING HOOKS	2007-MAR	TLM
2	ADDED HOOK AND NOTES	2005-JAN	RPH
1			

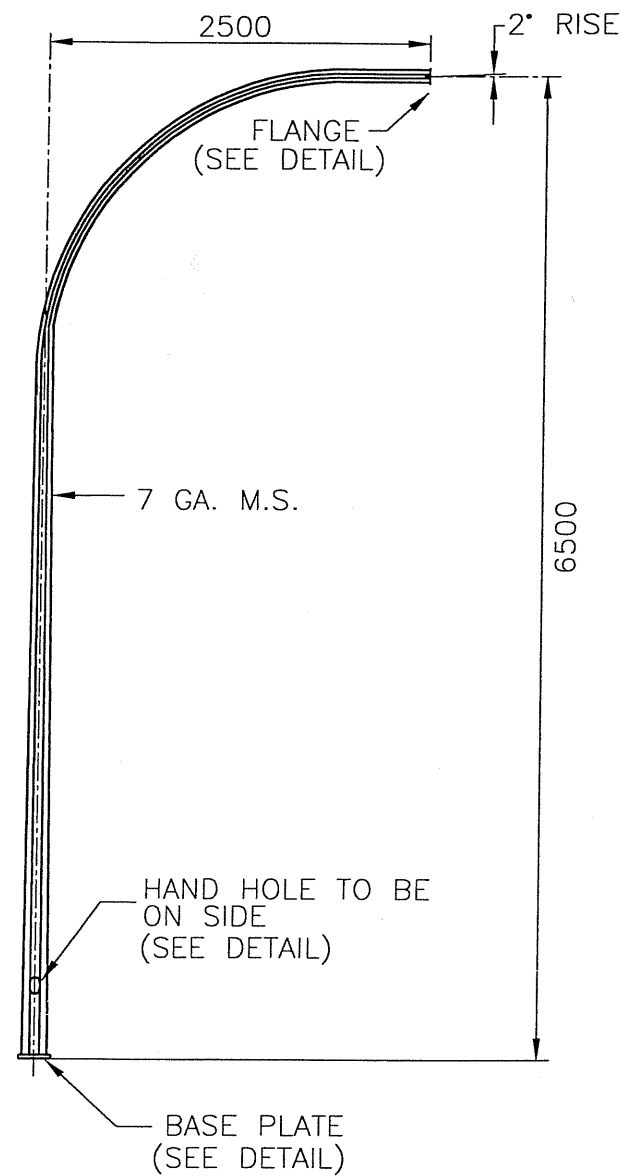
CONSTRUCTION & DESIGN	TRANSPORTATION	PUBLIC WORKS
ENGINEER DATE	ENGINEER DATE	ENGINEER DATE
DRAWN BY RPH DATE 2004-JUN-28	CHECKED BY	DATE

City of Saskatoon
Infrastructure Services Department

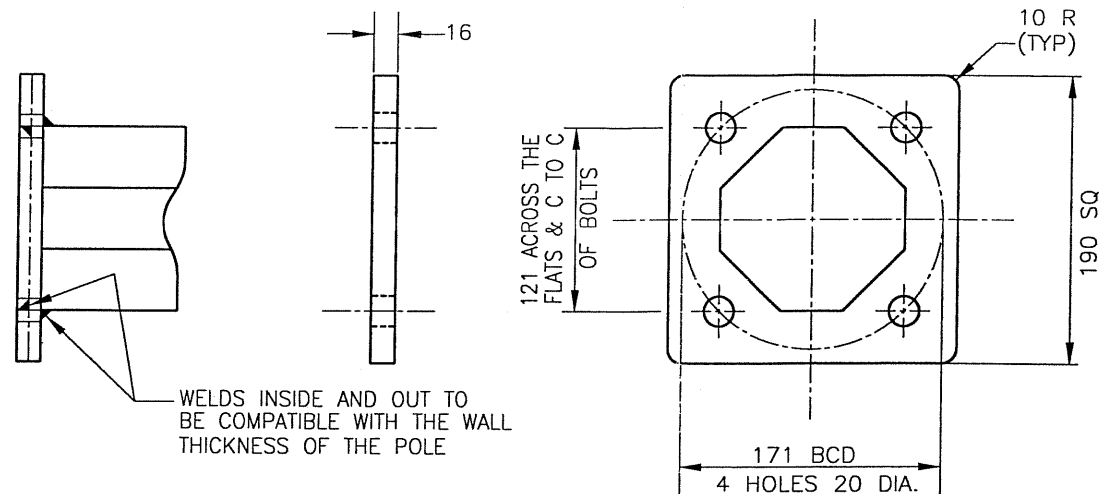
TRAFFIC SIGNAL SPECIFICATION
PRE-CAST TRAFFIC SIGNAL POLE BASE
SPECIFICATION No. 12600

GENERAL MANAGER
SCALES: 1:10
DATE: Mar 19 11
SHEET NO. 1 OF 1
PLAN NO. 102-0016-020r004

TRAFFIC SIGNAL CORRIDOR STANDARD
NTS



FLANGE DETAIL

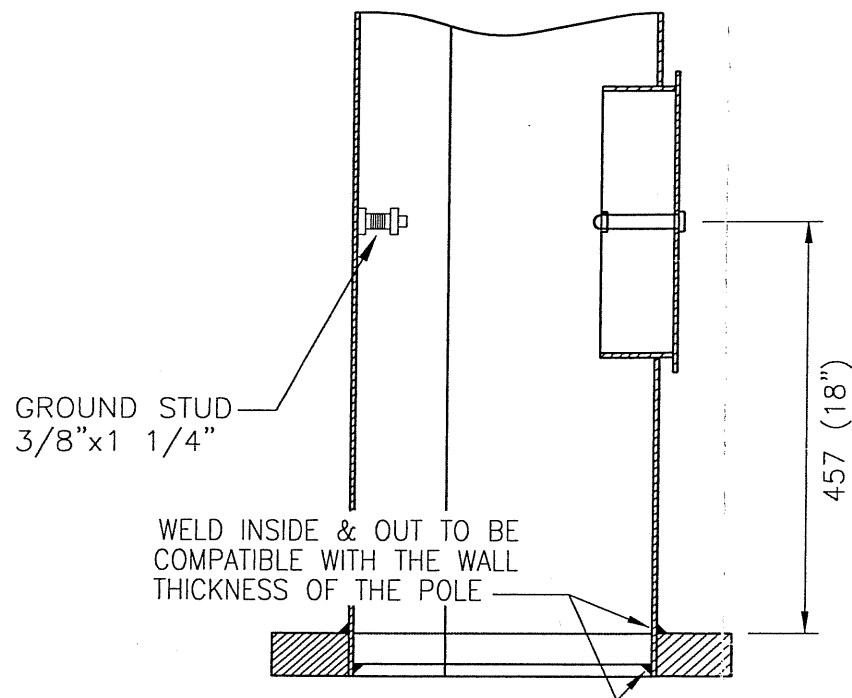


NOTES

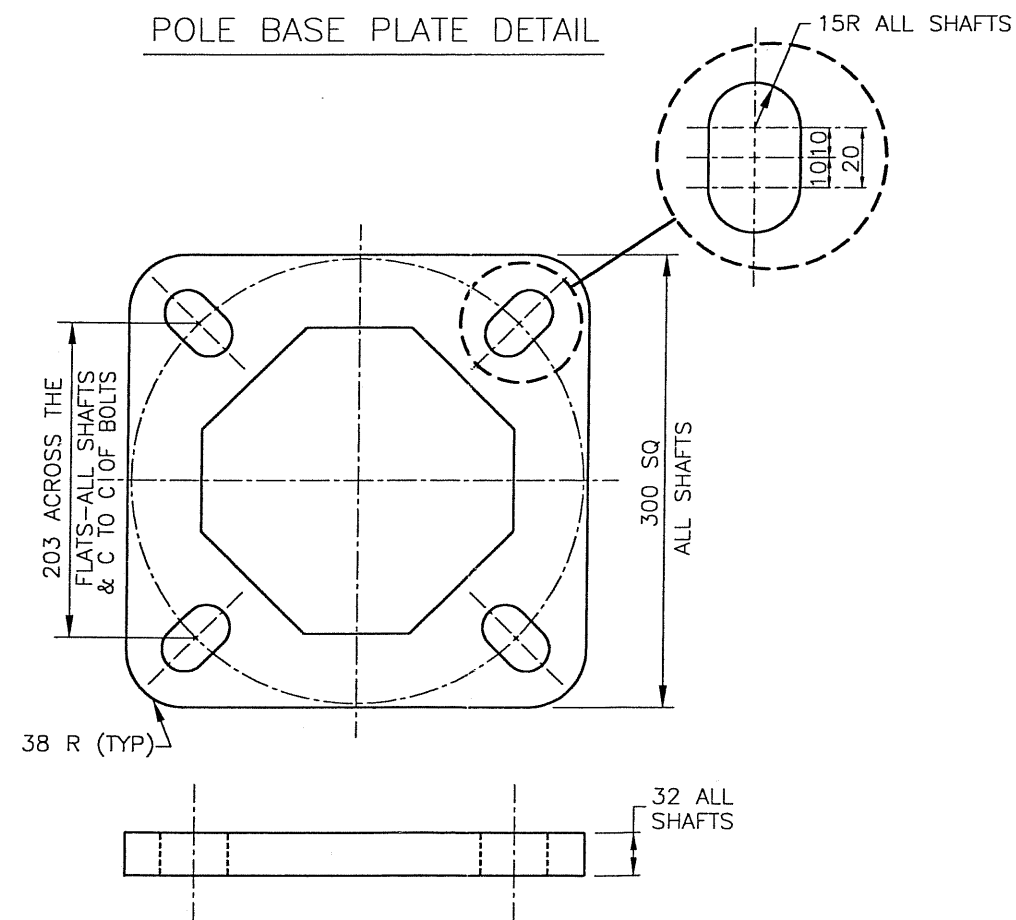
1. MAST ARM RISES APPLY TO UNLOADED STRUCTURE IN THE STANDING POSITION.
2. ALL POLES AND ARMS TO HAVE AN OCTAGONAL CROSS SECTION, TO BE STRAIGHT AND TRUE.
3. ALL WELDS TO BE CONTINUOUS.
4. STEEL GAUGES SHALL BE METRIC EQUIVALENT WHEN AVAILABLE.
5. NUT COVERS TO ACCOMMODATE ANCHOR BOLT EXTENSION OF 60mm ABOVE BASE PLATE.
6. 6 - 3mm TO 4 mm LEVELLING SHIMS SHALL BE SUPPLIED WITH EACH POLE.
7. FINISH SHALL BE: HOT-DIP GALVANIZED
8. ALL POLES SHALL BE INDIVIDUALLY WRAPPED.
9. ALL POLES SHALL BE DESIGNED TO SUPPORT SIGNAL HEADS AND/OR SIGNS HAVING A MAX. WEIGHT OF 50kg AND A MAX. TOTAL PROJECTED AREA OF 1.1m², MOUNTED AT THE END OF THE TRAFFIC SIGNAL ARM. MAXIMUM SIGNAL ARM LENGTH 5m.
10. WIND LOAD - 100mph OR 160kph
11. GROUND STUD MUST BE RE-THREADED AFTER GALVANIZING

HAND HOLE DETAIL

SEE PLAN 102-0016-025
FOR ADDITIONAL HANDHOLE DETAIL



POLE BASE PLATE DETAIL



11					
10					
9					
8					
7					
6					
5					
4					
3					
2					
1	BASE PLAN	1			
	DESCRIPTION	DATE	NO.	REVISED NOTES	DATE
				REVISIONS	DATE

STAMP
APPROVED FOR CONSTRUCTION
JAN 26 2005
DATE

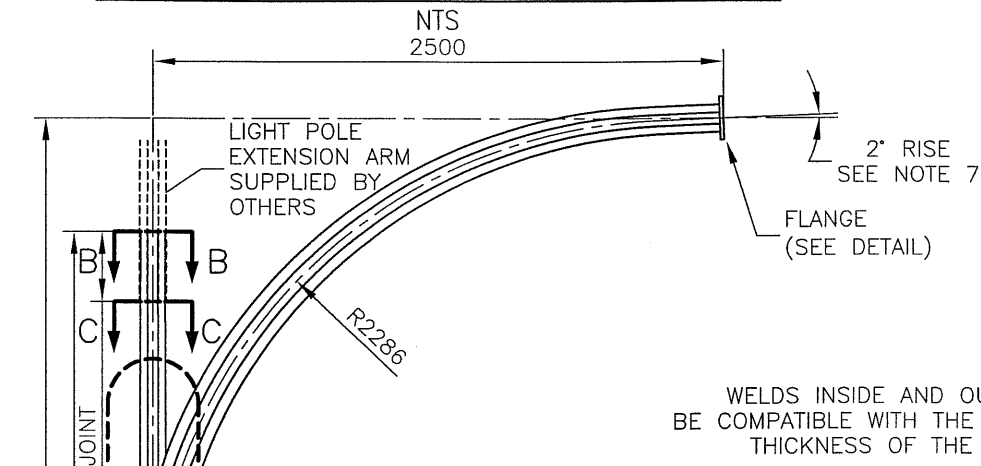
MUNICIPAL ENGINEERING		PUBLIC WORKS	
ENGINEER	<i>Gagan Jassi</i>	ENGINEER	
ENGINEER		ENGINEER	
DRAWN BY	CJP	DRAWN BY	
DATE	96.05.28	DATE	
CHECKED BY		CHECKED BY	
DATE		DATE	

City of Saskatoon
Infrastructure Services Department

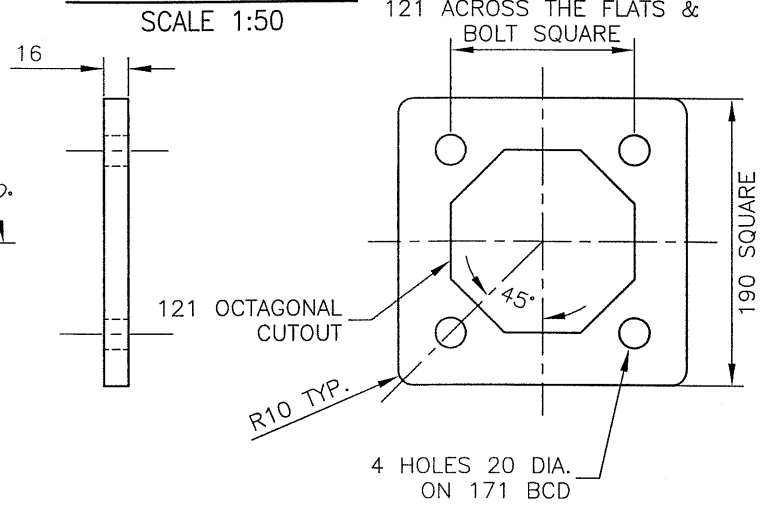
SPECIFICATIONS FOR:
TRAFFIC SIGNAL CORRIDOR POLE
SPECIFICATION NO. 12501

GENERAL MANAGER
SCALE: 1:50
VERT. _____
PLAN NO. 102-0016-021r001

TRAFFIC SIGNAL CORRIDOR STANDARD



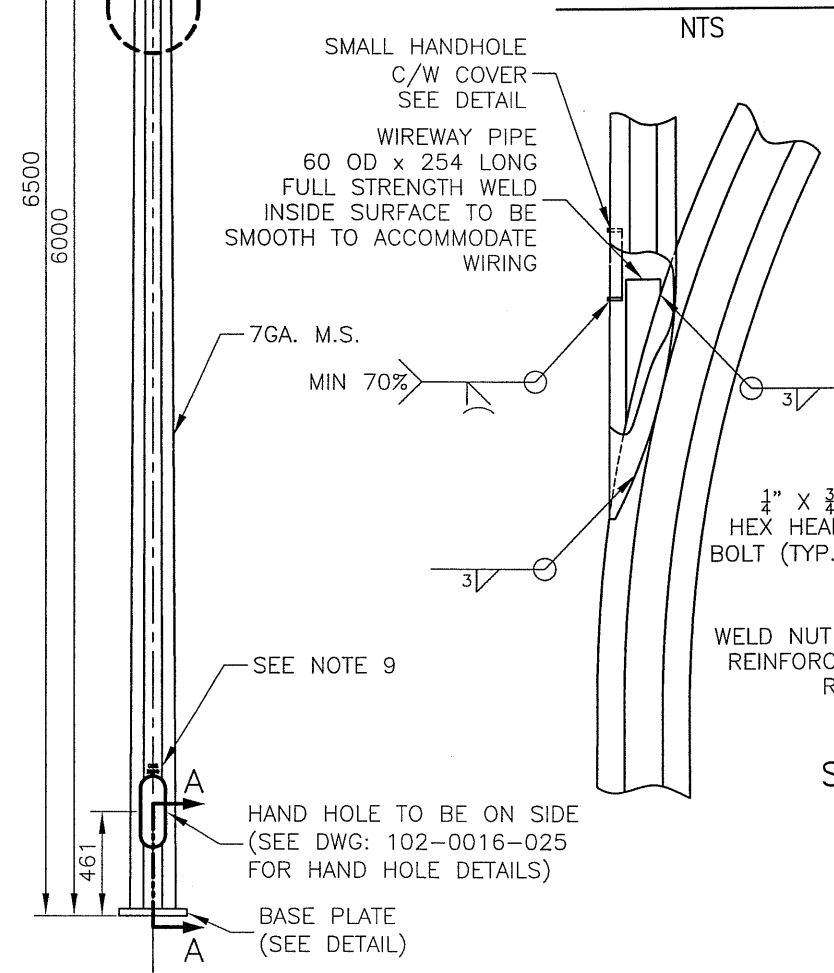
FLANGE DETAIL



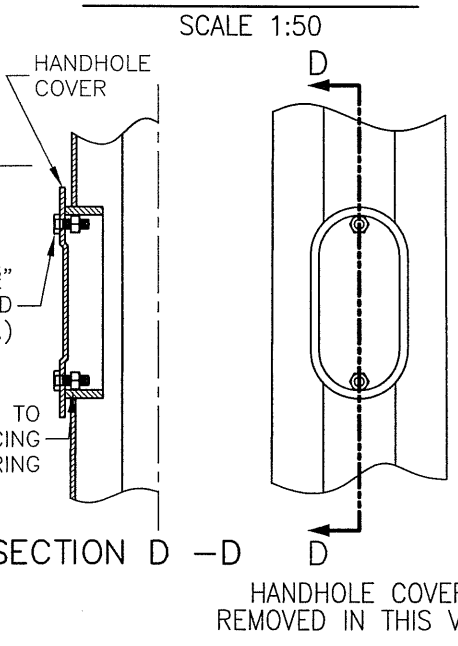
NOTES

1. ALL DIMENSIONS ARE IN MILLIMETERS UNLESS OTHERWISE NOTED.
2. STEEL GAUGES SHALL BE METRIC EQUIVALENT WHEN AVAILABLE.
3. ALL WELDS TO BE CONTINUOUS.
4. ALL POLES SHALL BE DESIGNED TO SUPPORT SIGNAL HEADS AND/OR SIGNS HAVING A MAX. WEIGHT OF 50kg AND A MAX. TOTAL PROJECTED AREA OF 1.1m², MOUNTED AT THE END OF THE TRAFFIC SIGNAL ARM. MAXIMUM SIGNAL ARM LENGTH 5m.
5. WIND LOAD - 100mph OR 160kph
6. ALL POLES AND ARMS TO HAVE AN OCTAGONAL CROSS SECTION, TO BE STRAIGHT AND TRUE.
7. MAST ARM RISES APPLY TO UNLOADED STRUCTURE IN THE STANDING POSITION.
8. NUT COVERS TO ACCOMMODATE ANCHOR BOLT EXTENSION OF 60mm ABOVE BASE PLATE.
9. SUPPLIER TO WELD INITIALS & YEAR ABOVE HAND HOLE
10. FINISH SHALL BE: HOT-DIP GALVANIZED
11. GROUND STUD MUST BE RE-THREADED AFTER GALVANIZING
12. ALL POLES SHALL BE INDIVIDUALLY WRAPPED.
13. 6 - 3mm TO 4 mm LEVELING SHIMS SHALL BE SUPPLIED WITH EACH POLE.

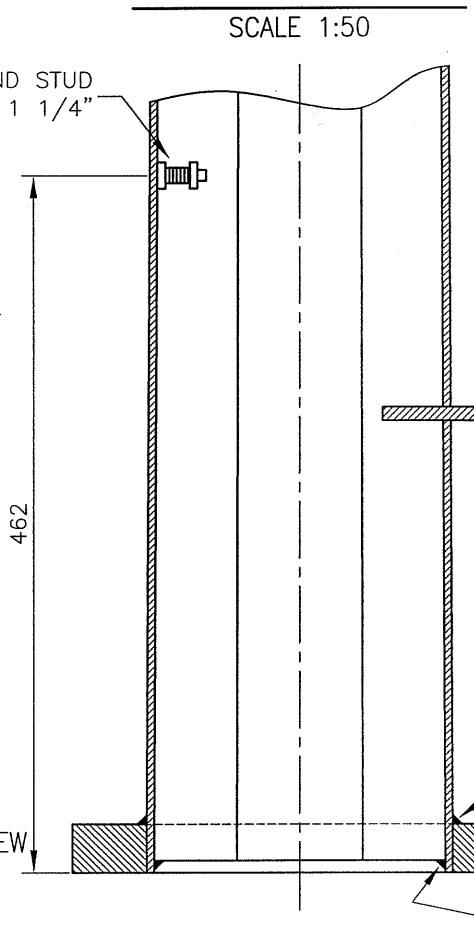
DETAIL 'A'



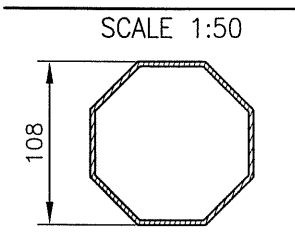
SMALL HANDHOLE DETAIL



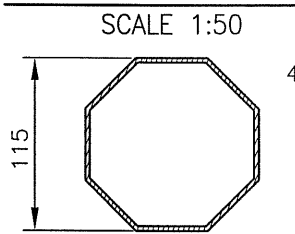
SECTION A - A



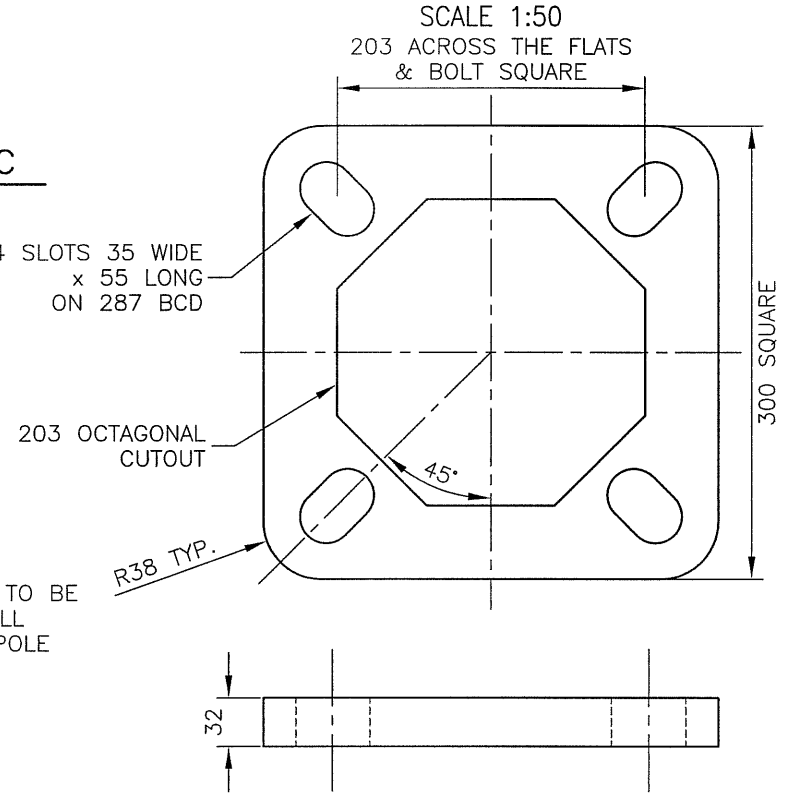
SECTION B - B



SECTION C - C



POLE BASE PLATE DETAIL



11			
10			
9			
8			
7			
6			
5			
4			
3	REVISED SLOT DIMENSIONS, UPDATED DRAWING	2010-NOV-08	BAJ
2	REVISED NOTES	2005-JAN	RPH
1	ADDED DETAIL A AND RELATED	2004-FEB	RPH
	PLAN DESCRIPTION/REVISION	DATE	BY

CONSTRUCTION & DESIGN	TRANSPORTATION	PUBLIC WORKS
ENGINEER	ENGINEER	ENGINEER
DATE	DATE	DATE
DATE	8/2010	
DRAWN BY	CJP	DATE
DATE	1996-JUN-28	CHECKED BY
		DATE

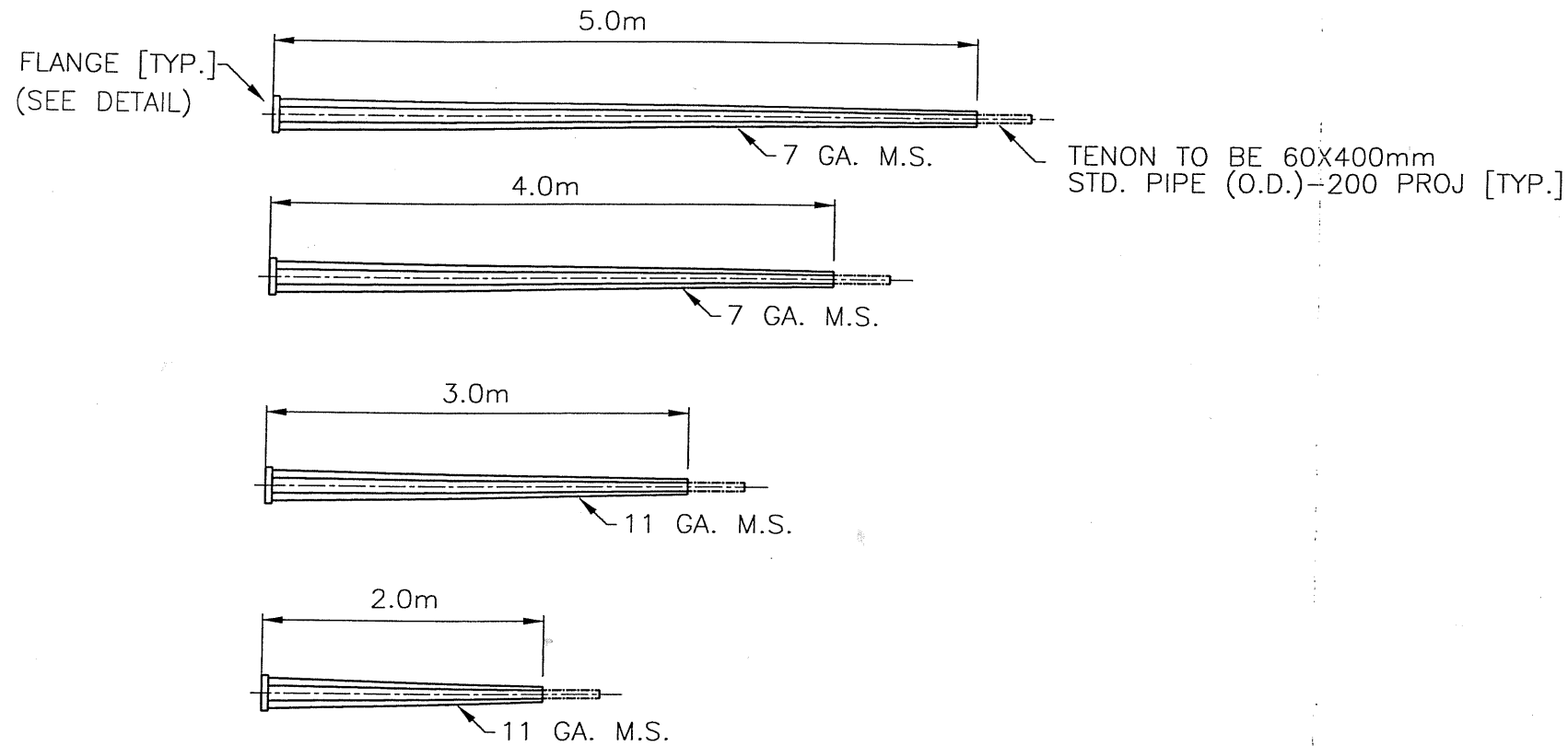
City of Saskatoon
Infrastructure Services Department

TRAFFIC SIGNAL SPECIFICATION
COMBINATION STREET LIGHT
AND TRAFFIC SIGNAL POLE
SPECIFICATION NO. 12500

GENERAL MANAGER	DATE
SCALE: HDR. 1:50	MAR 19/11
VERT.	
SHEET NO. 1 OF 1	PLAN NO. 102-0016-022r002

TRAFFIC SIGNAL ARMS

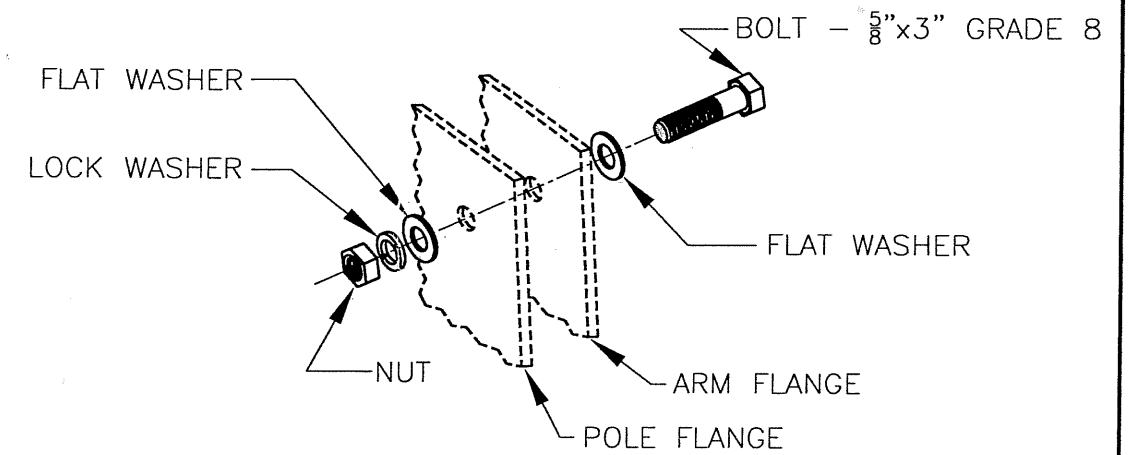
NTS



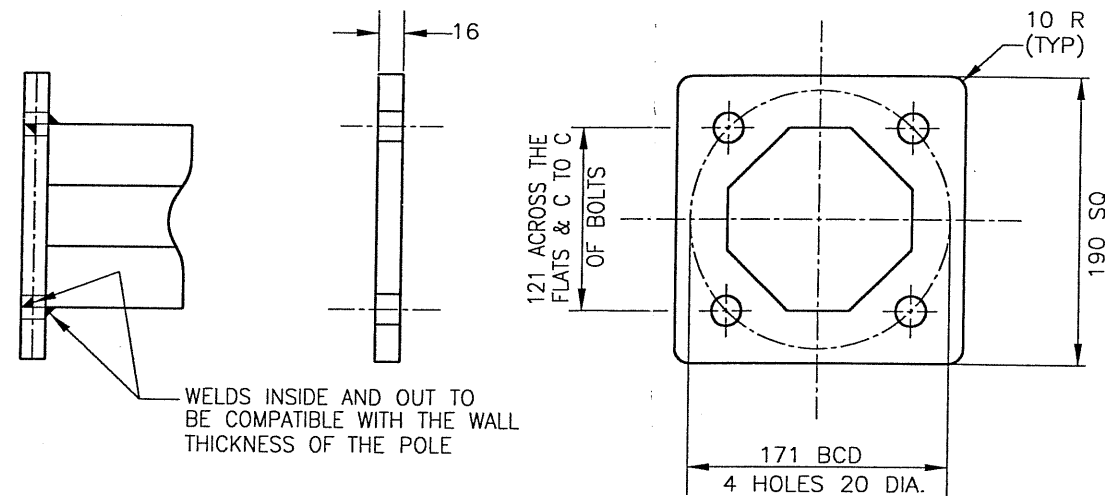
NOTES

1. ALL ARMS TO HAVE AN OCTAGONAL CROSS SECTION, TO BE STRAIGHT AND TRUE.
2. ALL WELDS TO BE CONTINUOUS.
3. STEEL GAUGES SHALL BE METRIC EQUIVALENT WHEN AVAILABLE.
4. EACH ARM TO BE SUPPLIED WITH FOUR GALVANIZED 5/8" X 3" LG. GRADE 8 N.C. S.A.E. HEX HEAD BOLTS C/W NUTS AND WASHERS FOR FLANGE CONNECTIONS. ATTACH LOOSELY DURING SHIPPING (SEE BOLT ASSEMBLY DETAIL)
5. FINISH SHALL BE: HOT-DIP GALVANIZED
6. ALL ARMS SHALL BE INDIVIDUALLY WRAPPED.
7. ALL ARMS SHALL BE DESIGNED TO SUPPORT SIGNAL HEADS AND/OR SIGNS HAVING A MAX. WEIGHT OF 50kg AND A MAX. TOTAL PROJECTED AREA OF 1.1m², MOUNTED AT THE END OF THE TRAFFIC SIGNAL ARM.

BOLT ASSEMBLY



FLANGE DETAIL



11					
10					
9					
8					
7					
6					
5					
4					
3					
2					
1	BASE PLAN	1			
	DESCRIPTION	DATE	NO.	REVISED NOTES	JAN 05 RPH
				REVISIONS	DATE BY

STAMP

APPROVED FOR CONSTRUCTION

JAN 26 2005

DATE

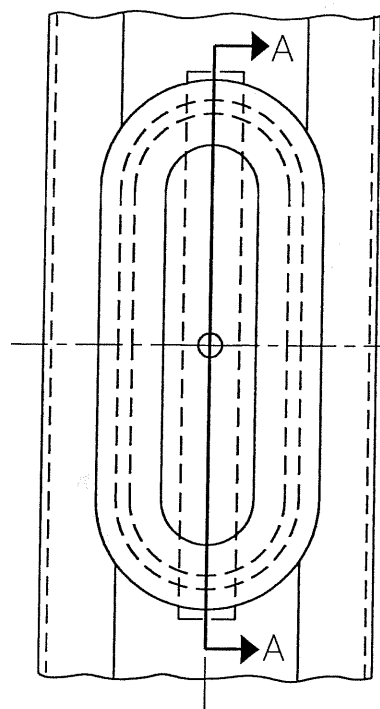
	MUNICIPAL ENGINEERING	PUBLIC WORKS
ENGINEER	<i>Go-a-Java</i>	ENGINEER
ENGINEER		ENGINEER
ENGINEER		ENGINEER
DATE	DATE	DATE
DATE	96 06 28	DATE
CHECKED BY	CHECKED BY	CHECKED BY
DATE	DATE	DATE

City of Saskatoon
Infrastructure Services Department

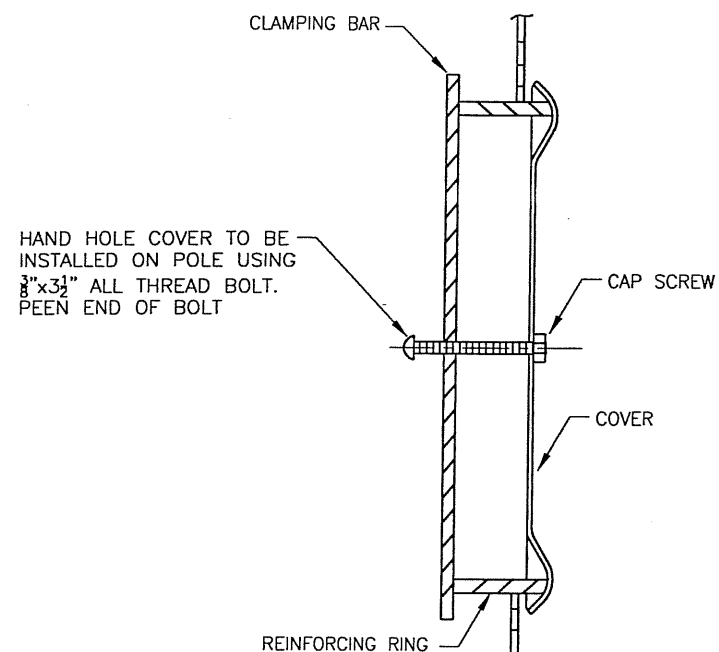
SPECIFICATIONS FOR:
TRAFFIC SIGNAL ARMS
SPECIFICATION NO. 12502

GENERAL MANAGER	P. ENG
SCALE: 1:50	SHEET NO.
VERT.	
PLAN NO.	
102-0016-023r001	

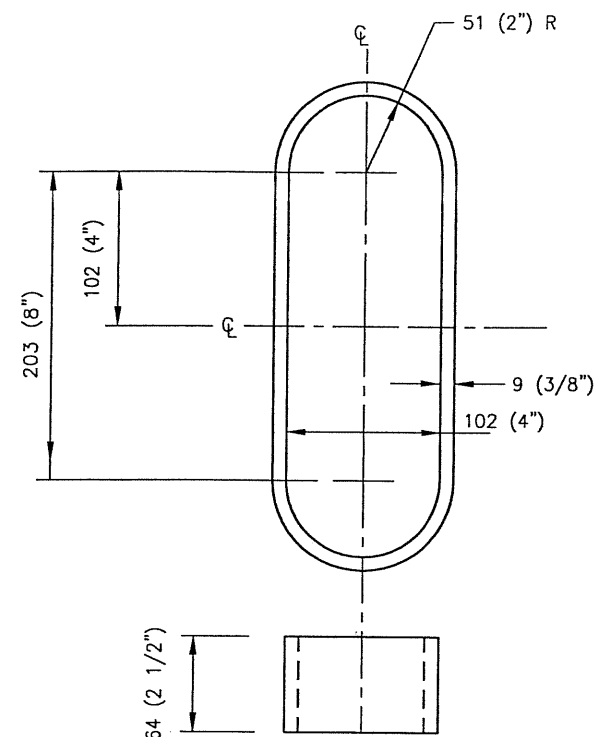
FRONT VIEW



SECTION A-A



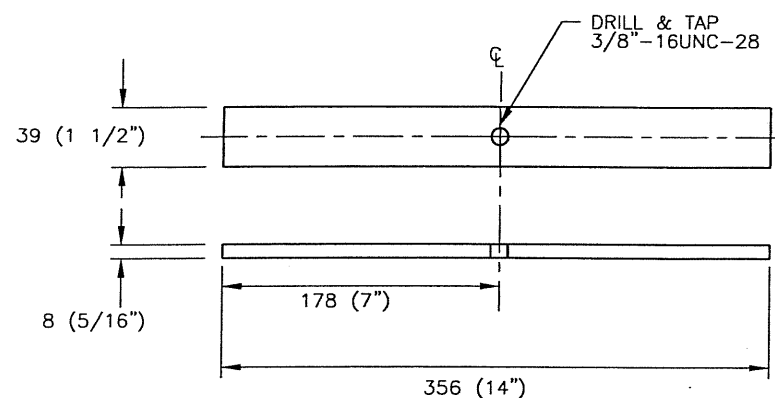
REINFORCING RING



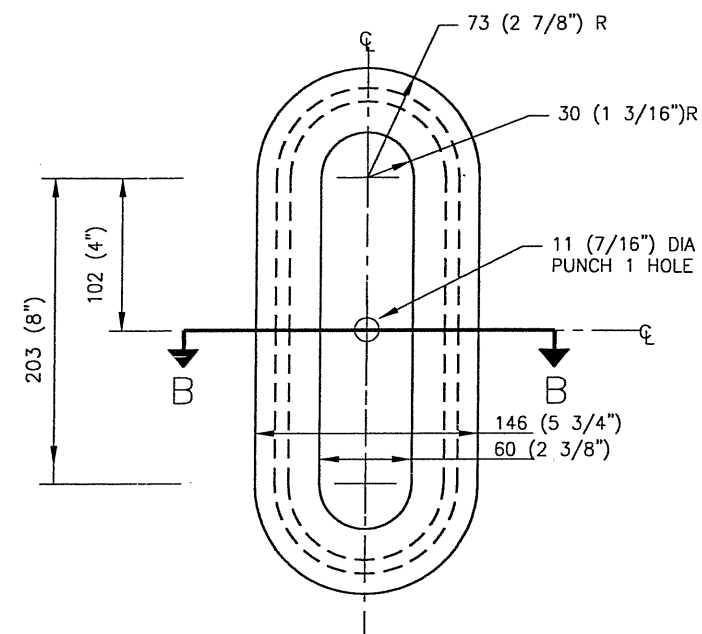
NOTES:

1. FINISH SHALL BE: HOT-DIP GALVANIZED
2. RE-THREAD BOLTS AFTER GALVANIZING

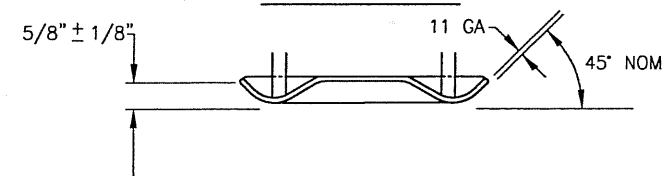
CLAMPING BAR



COVER



SECTION B-B



11					
10					
9					
8					
7					
6					
5					
4					
3					
2					
1	BASE PLAN		1		
	DESCRIPTION	DATE	NO.	REVISED NOTES	DATE
				REVISIONS	BY

STAMP

APPROVED FOR CONSTRUCTION

JAN 26 2005

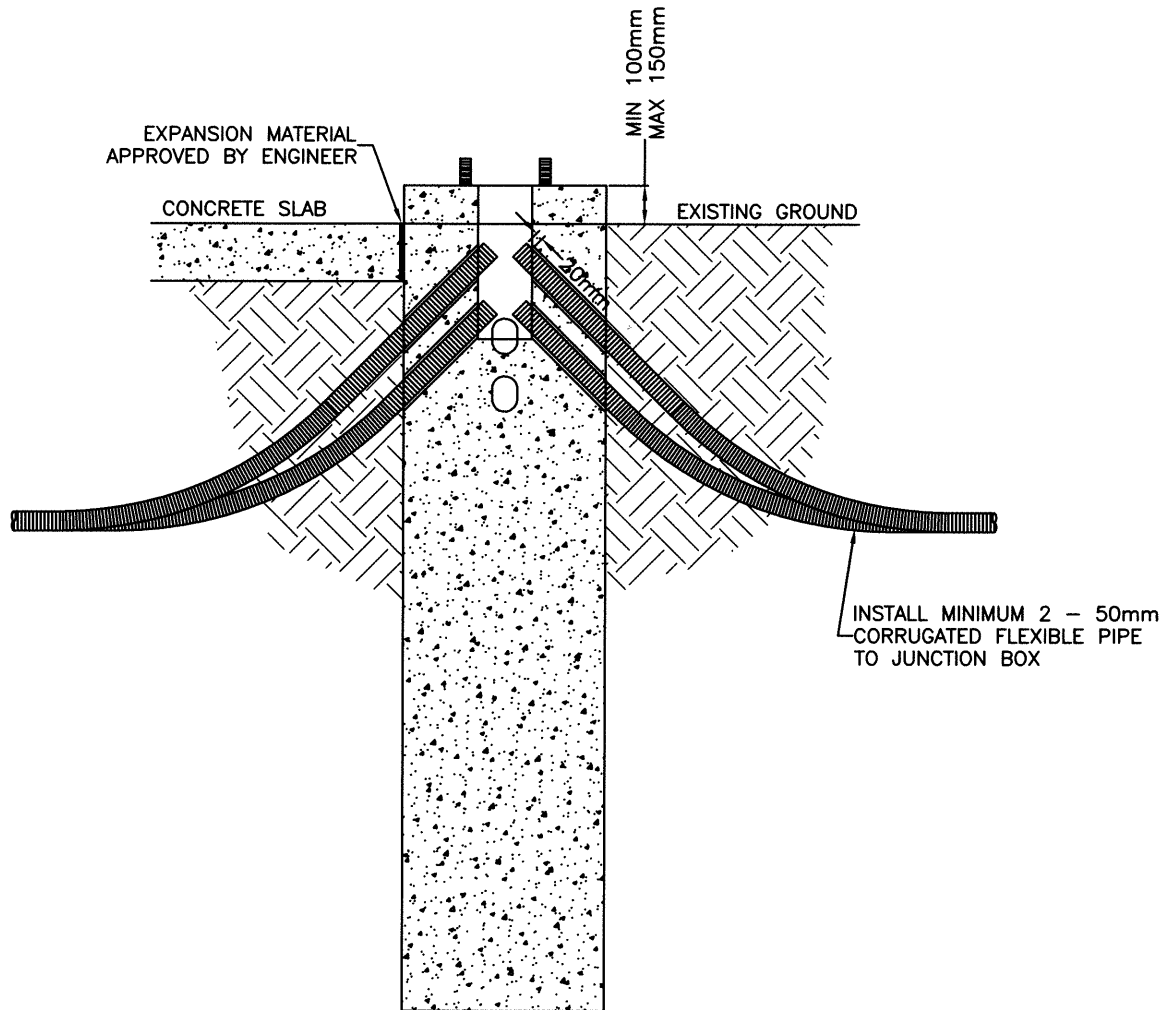
DATE

	MUNICIPAL ENGINEERING	PUBLIC WORKS
ENGINEER	<i>Goran Jari</i>	ENGINEER
ENGINEER		ENGINEER
DRAWN BY	CJP	DRAWN BY
DATE	96.06.28	DATE
CHECKED BY		CHECKED BY
DATE		DATE

City of Saskatoon
Infrastructure Services Department

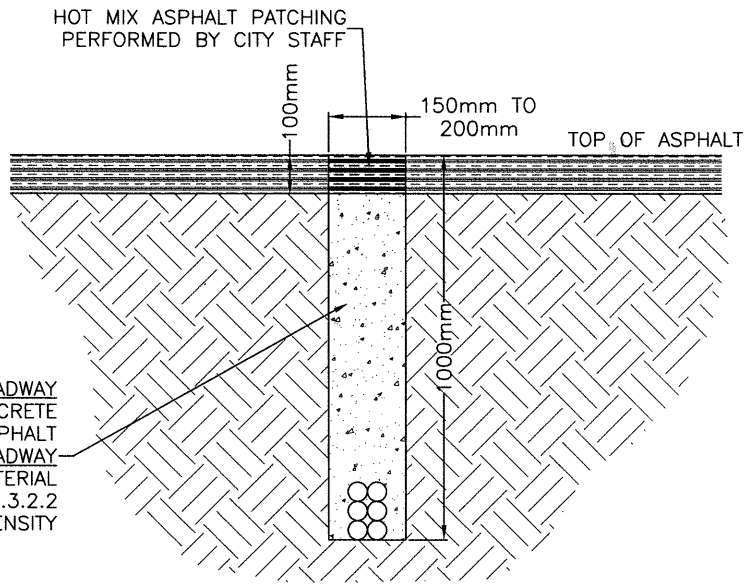
SPECIFICATIONS FOR:
HAND HOLE ASSEMBLY

GENERAL MANAGER	P. ENG.
SCALE: NTS	SHEET NO.
VERT.	
PLAN NO.	
102-0016-025r001	



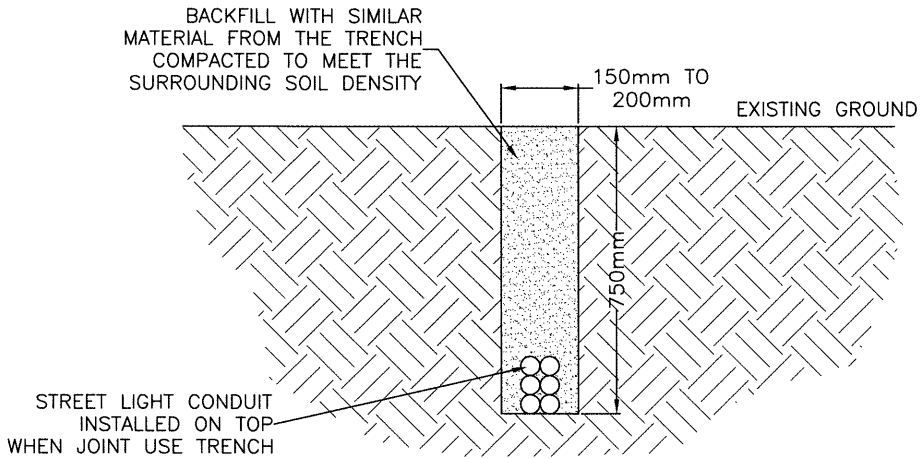
NOTE:
 EXCAVATION FOR THE POLE BASE SHALL BE OF SUFFICIENT WIDTH TO ALLOW FOR THE MECHANICAL COMPACTION OF BACKFILL MATERIAL. ALL LOOSE MATERIAL SHALL BE REMOVED FROM THE EXCAVATION AND BACKFILLED WITH BASE AGGREGATE AS PER SECTION 03001-3.2.2 (AVAILABLE ON THE CITY'S WEBSITE).

PLAN DESCRIPTION/REVISIONS			APPROVED
4			<i>Goran Jazic</i>
3	ADDED EXCAVATION NOTE 2018-FEB-27 AMR		ENGINEER
2	UPDATED INFO 2014-DEC-18 DJC		<i>[Signature]</i>
1			ENGINEER
DRAWN BY <u>BAJ</u> DATE <u>2010-FEB-05</u>		PRE-CAST POLE BASE INSTALLATION DETAILS SPECIFICATION 12600-8	PLAN NO. 102-0016-029r003
SCALE : HOR. _____ VERT. _____			



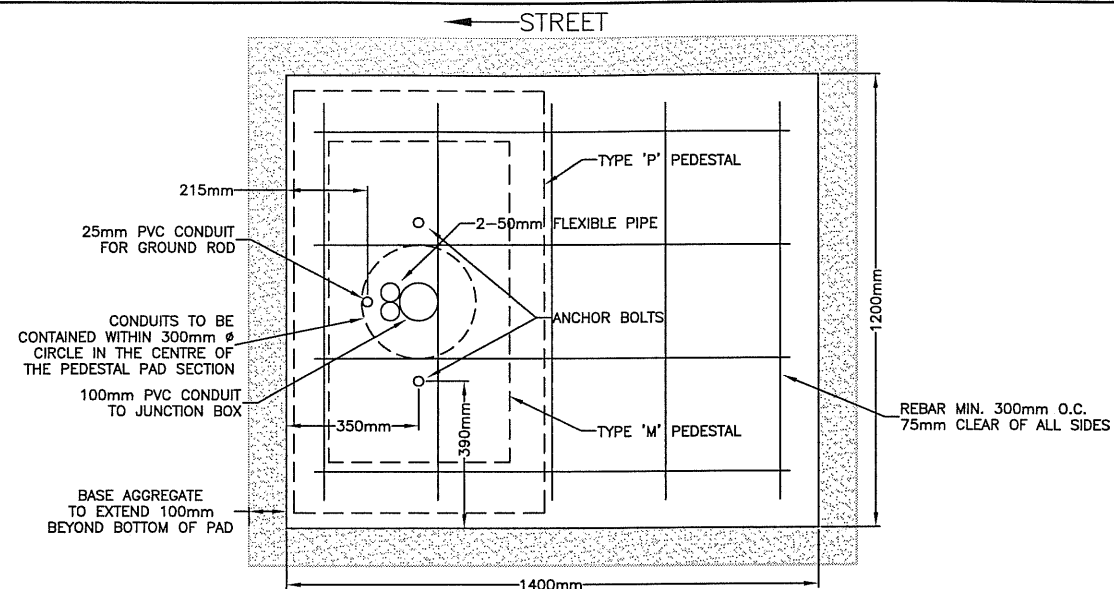
IN PAVED ROADWAY
 LL WITH FILLCRETE OR 20MPa CONCRETE
 TO 100mm BELOW EXISTING ASPHALT
 IN UNPAVED ROADWAY
 BACKFILL WITH GRANULAR MATERIAL
 AS PER SECTION 3001.3.2.2
 CT TO 98% STANDARD PROCTOR DENSITY

TRENCHING IN ROADWAYS

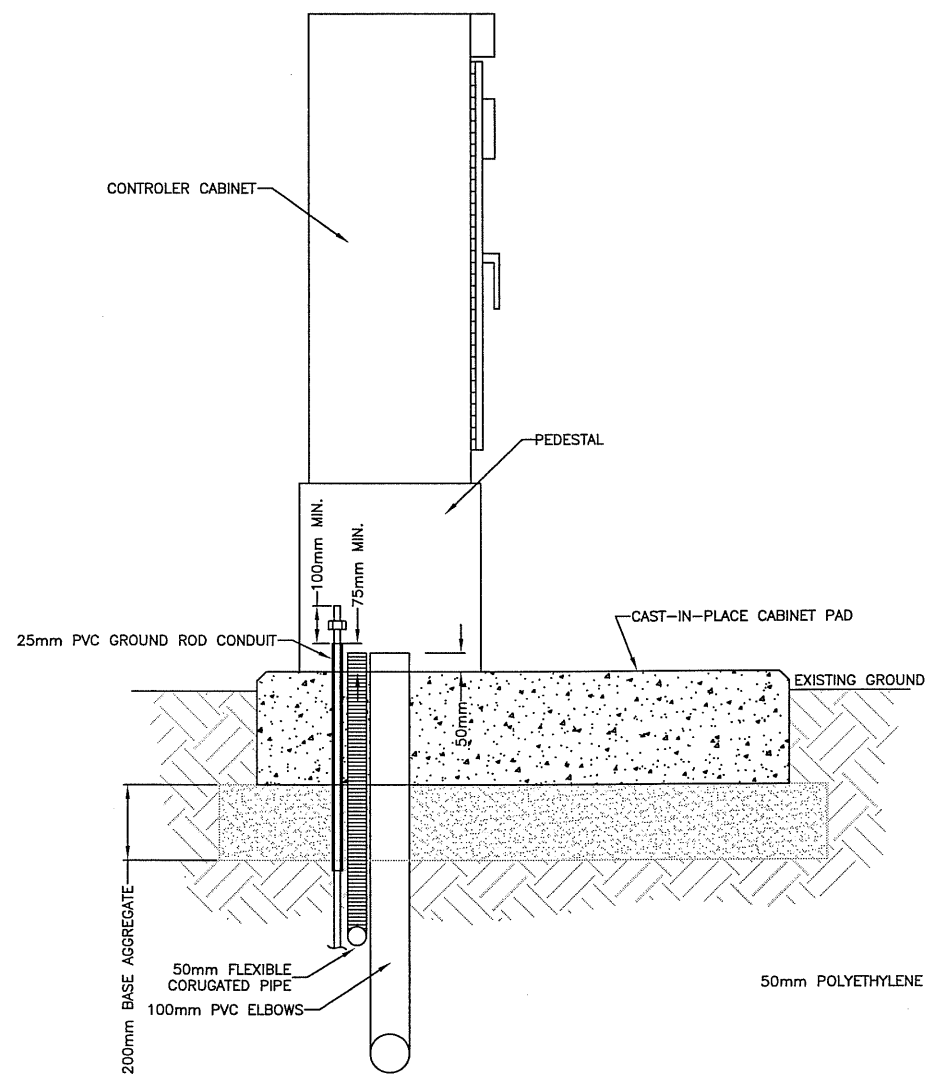


TRENCHING IN NATURAL GROUND

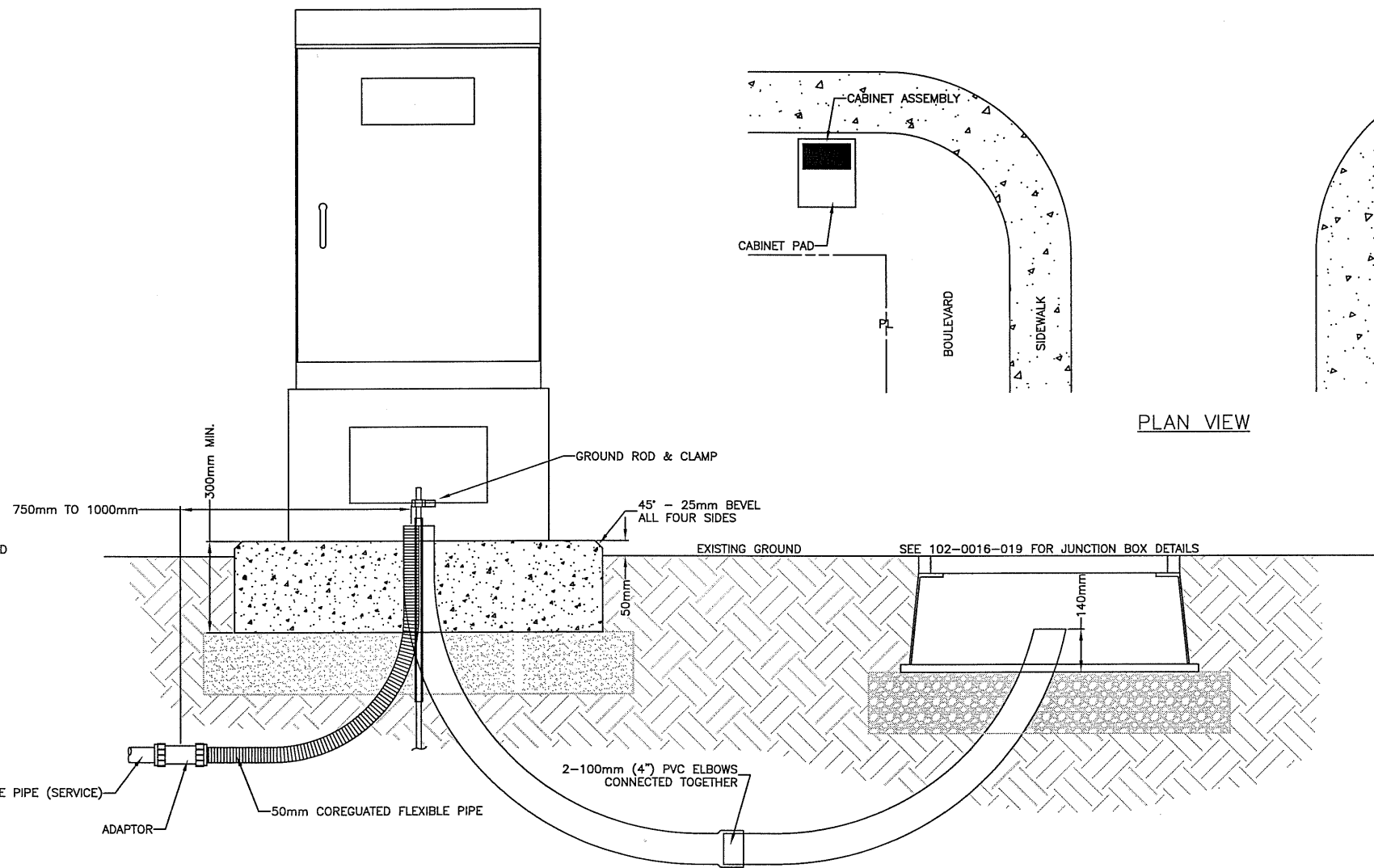
PLAN DESCRIPTION/REVISIONS		 City of Saskatoon Infrastructure Services Department	APPROVED
4			 ENGINEER
3		TRENCHING INSTALLATION DETAILS SPECIFICATION 12600-5	 ENGINEER
2			
1	REMOVED BACK OF CURB DETAIL 2014-DEC-18 DJC		PLAN NO. 102-0016-032r002
DRAWN BY BAJ			
DATE 2010-FEB-05			
SCALE : HOR. _____ VERT. _____			



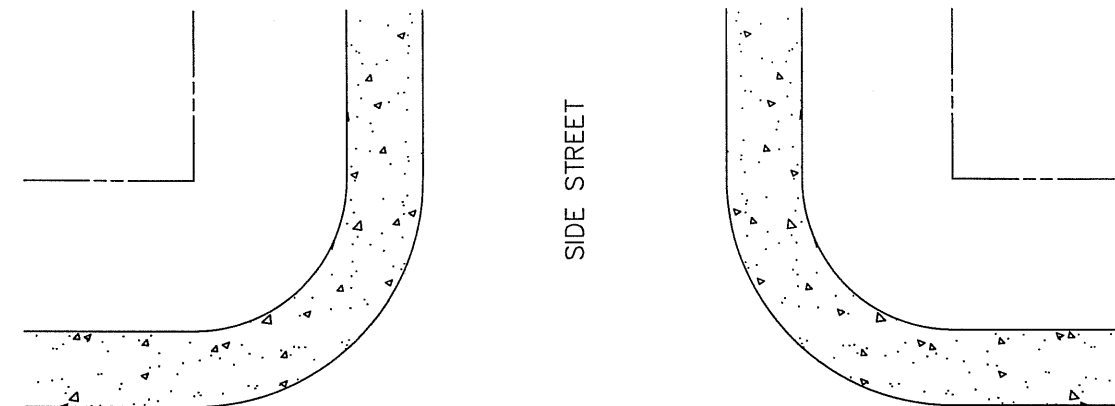
TOP VIEW



SIDE VIEW



FRONT VIEW



PLAN VIEW

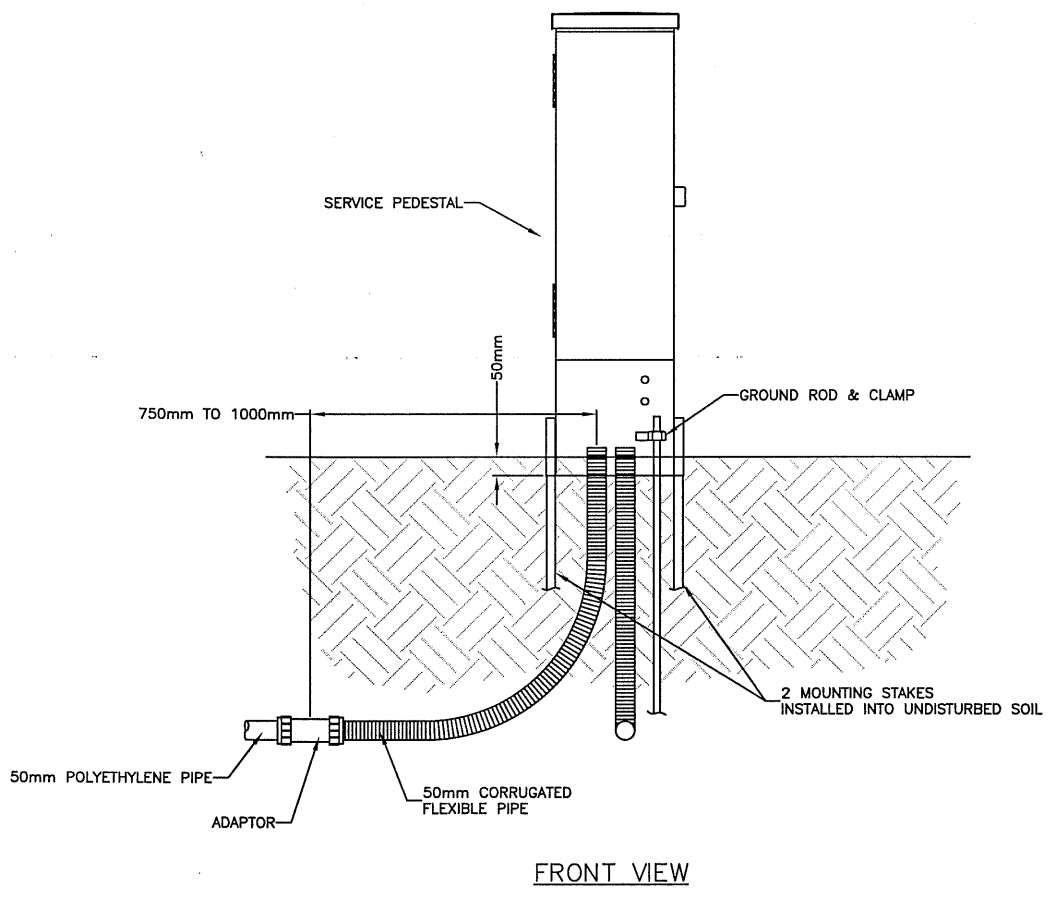
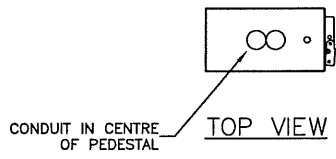
11			
10			
9			
8			
7			
6			
5			
4	RELOCATED GROUND ROD	2011-JUN-21	BAJ
3	REVISED NOTES	2011-FEB-28	BAJ
2	NEW SPEC DRAWING	2010-FEB-04	BAJ
1	PLAN DESCRIPTION/REVISION	DATE	BY

CONSTRUCTION & DESIGN	TRANSPORTATION	PUBLIC WORKS
ENGINEER	<i>Shiglabachin</i> ENGINEER	ENGINEER
DATE	June 27/11	DATE
DRAWN BY: BAJ	DATE: 2010-FEB-04	CHECKED BY: _____ DATE: _____



TRAFFIC SIGNALS SPECIFICATION
 CAST-IN-PLACE CABINET BASE
 IN NATURAL GROUND INSTALLATION DETAILS
 SPECIFICATION 12600-9.1

GENERAL MANAGER	<i>M. H. A.</i>
SCALE: HORIZ. NTS	DATE: JUN 27/11
SHEET NO. 1 OF 1	PLAN NO. 102-0016-033r003


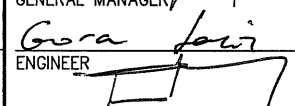


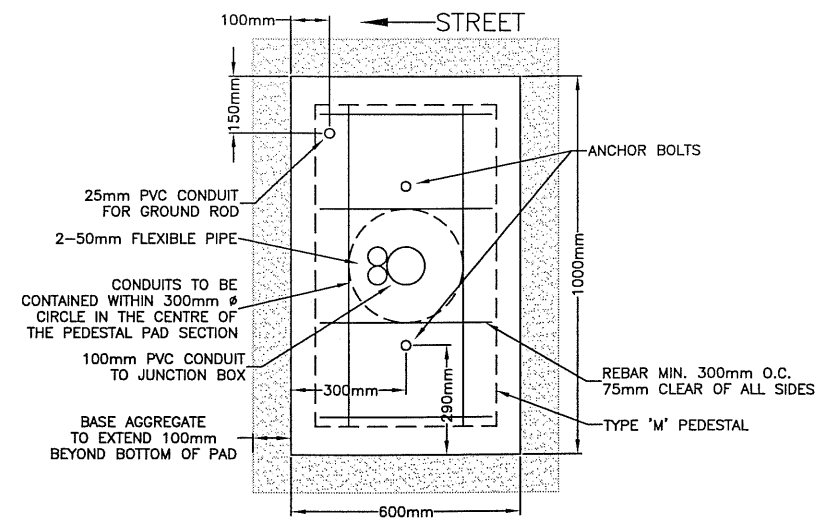
FRONT VIEW

PLAN DESCRIPTION/REVISIONS	
4	
3	
2	REVISED NOTES & SIZE OF CABINET
1	NEW SPEC DRAWING
DRAWN BY <u>BAJ</u>	
DATE <u>2010-FEB-05</u>	
SCALE : HOR. _____ VERT. _____	

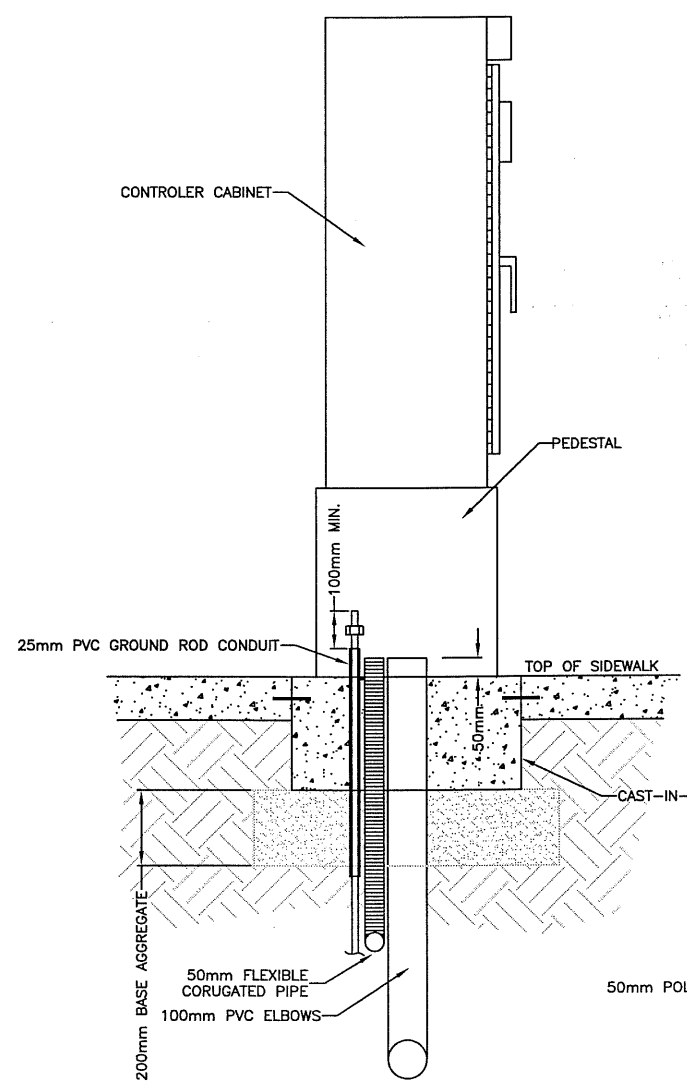


SERVICE PEDESTAL
INSTALLATION DETAILS
SPECIFICATION 12600-11

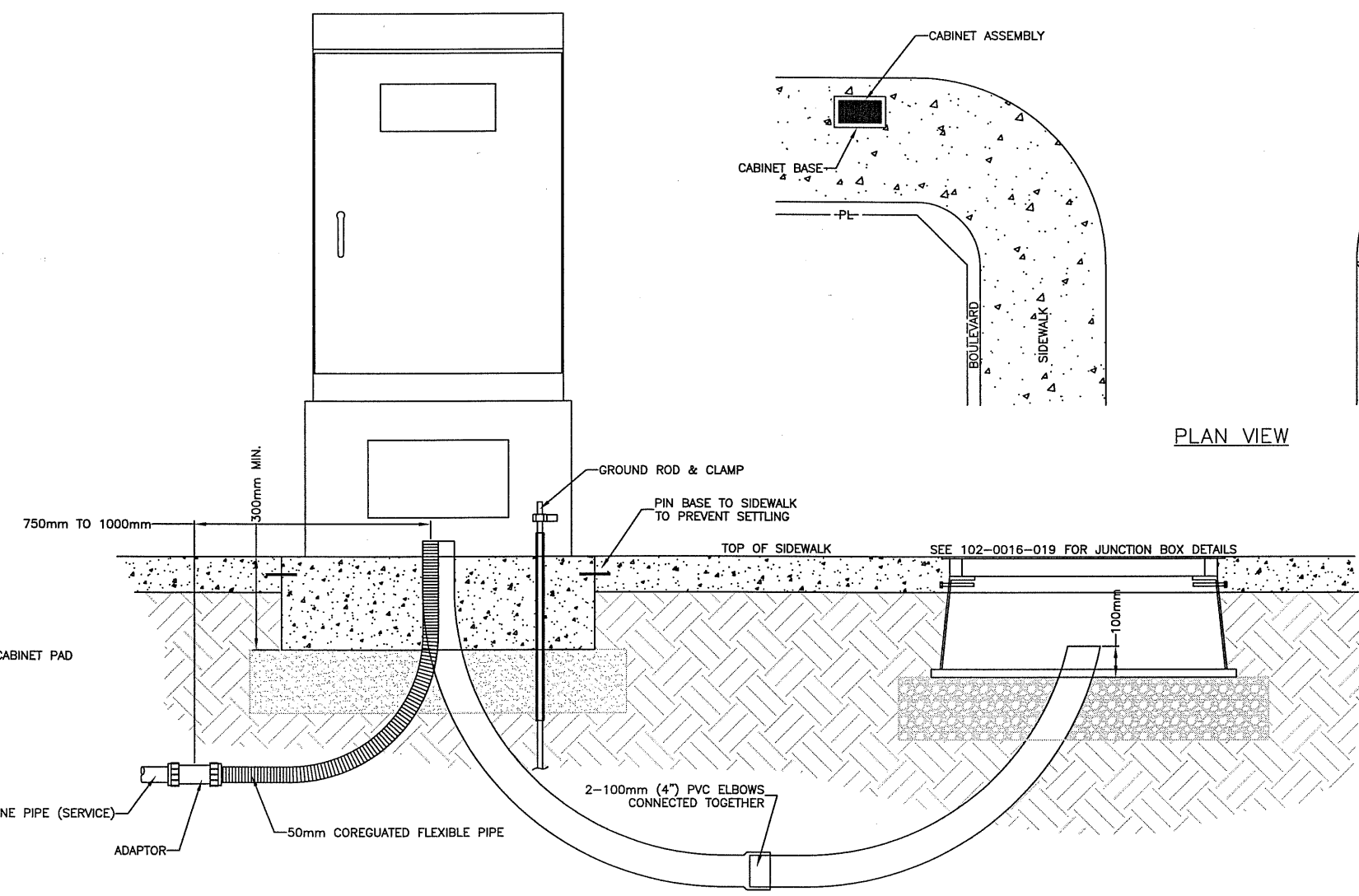
 APPROVED GENERAL MANAGER <i>Mar 17, 11</i>	
 ENGINEER	
ENGINEER	
PLAN NO. 102-0016-034r002	



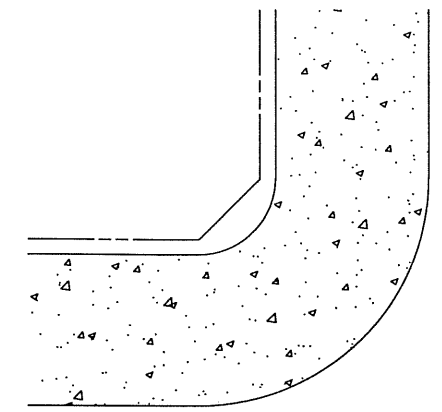
TOP VIEW



SIDE VIEW

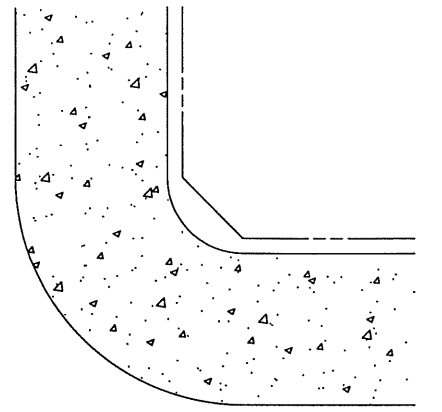


FRONT VIEW



MAIN STREET

SIDE STREET



PLAN VIEW

11			
10			
9			
8			
7			
6			
5			
4			
3			
2			
1	NEW SPEC DRAWING	2011-FEB-28	BAJ
	PLAN DESCRIPTION/REVISION	DATE	BY

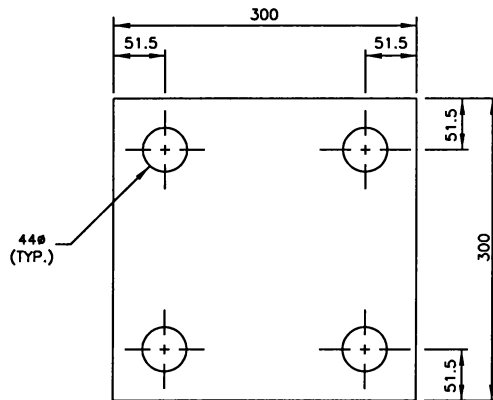
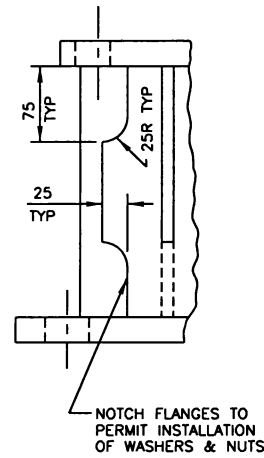
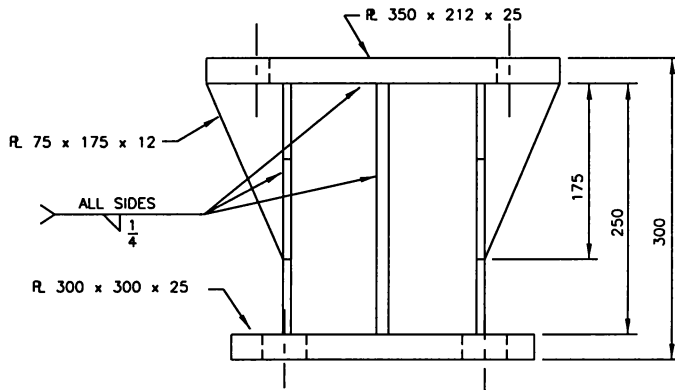
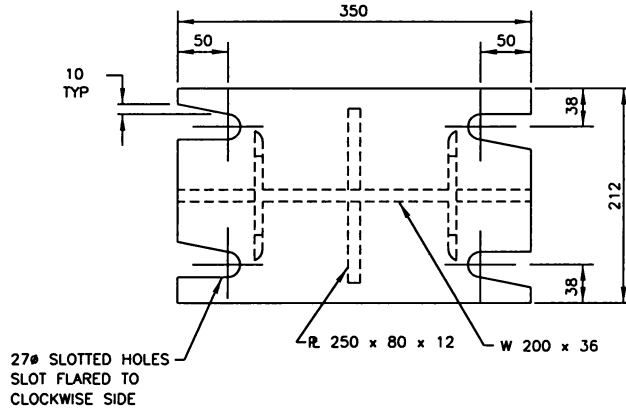
CONSTRUCTION & DESIGN	TRANSPORTATION	PUBLIC WORKS
ENGINEER	ENGINEER	ENGINEER
DATE	DATE	DATE
DRAWN BY BAJ	DATE 2011-FEB-28	CHECKED BY

City of Saskatoon
Infrastructure Services Department

TRAFFIC SIGNALS SPECIFICATION
CAST-IN-PLACE CABINET BASE
IN SIDEWALK INSTALLATION DETAILS
SPECIFICATION 12600-9.2

GENERAL MANAGER
SCALES: NTS
HOR: NTS
VERT: NTS
SHEET NO. 1 OF 1
PLAN NO. 102-0016-039r001
DATE: MAR 14 11

D:\WORKING\102\0017\1020017010R003.DWG LAYOUT1.LYT 2003-01-08 14:42 BY ISREGANH



NOTES:

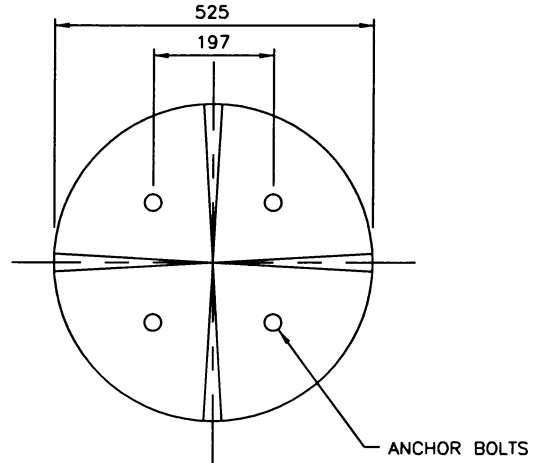
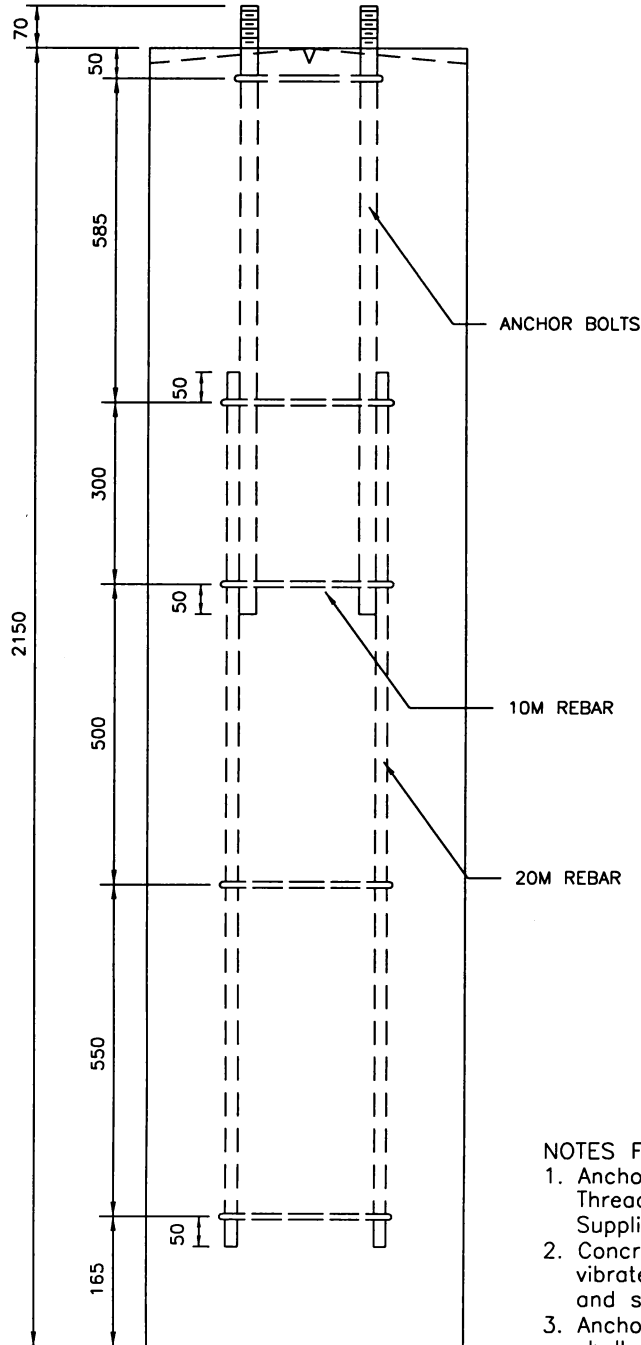
1. Structural steel to CSA G4021 grade 300W.
2. Weld electrode to CSA W481, E70-XX
3. Fabrication and erection of structural steel to CSA S16.
4. All structural steel to be galvanized.

REVISIONS	
1	
2	REVISED HOLE DIMS 01 03 RPH
3	
DRAWN BY <u>CJP</u>	
DATE <u>01 09 06</u>	
CHECKED BY <u>[Signature]</u>	
DATE <u>Jan 8/03</u>	



ADAPTER PLATE FOR
ROADSIDE GUIDESIGN

APPROVED	
<u>[Signature]</u>	P. ENG.
GENERAL MANAGER	
ENGINEER	
ENGINEER	
SCALES :	
HOR. 1:7.5	VERT.
PLAN NO. 102-0017-010R003	



NOTES FOR PRE-CAST CONCRETE BASE:

1. Anchor bolts shall be 25 ϕ x 1000mm deformed steel bar. Threaded top, 85mm. Hot dip galvanized, top 300mm. Supplied with galvanized nuts and washers.
2. Concrete shall be 35 MPa alkali resistant 38 ϕ aggregate vibrated and steam cured, Top shall be smooth and level, and shall have 4 drainage groves as shown.
3. Anchor bolts shall be centered precisely in the base, and shall have a 197mm bolt square.
4. Reinforcing cage shall be spot welded together and to the anchor bolts

REVISIONS	
1	
2	
3	



APPROVED	
<i>[Signature]</i>	GENERAL MANAGER P. ENG.
<i>[Signature]</i>	ENGINEER
<i>[Signature]</i>	ENGINEER
SCALES : HOR. 1:12.5 VERT.	
PLAN NO. 102-0017-011r001	

DRAWN BY	CJP
DATE	01 09 06
CHECKED BY	
DATE	

**CONCRETE BASE FOR
ROADSIDE GUIDESIGN**

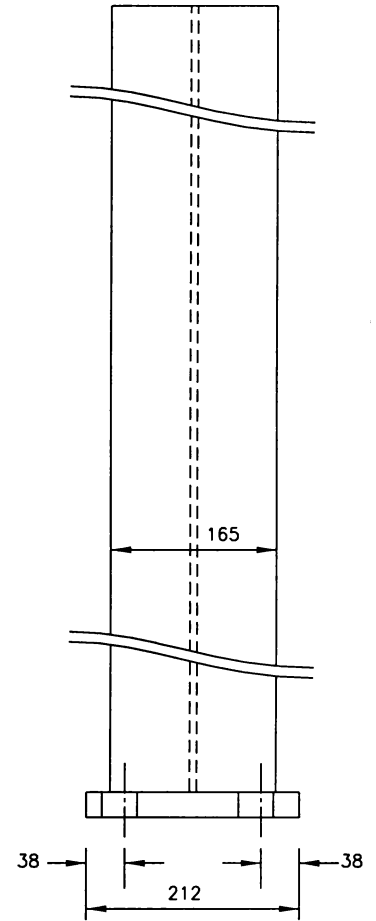
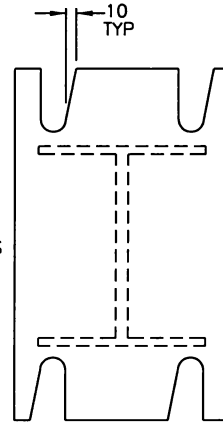
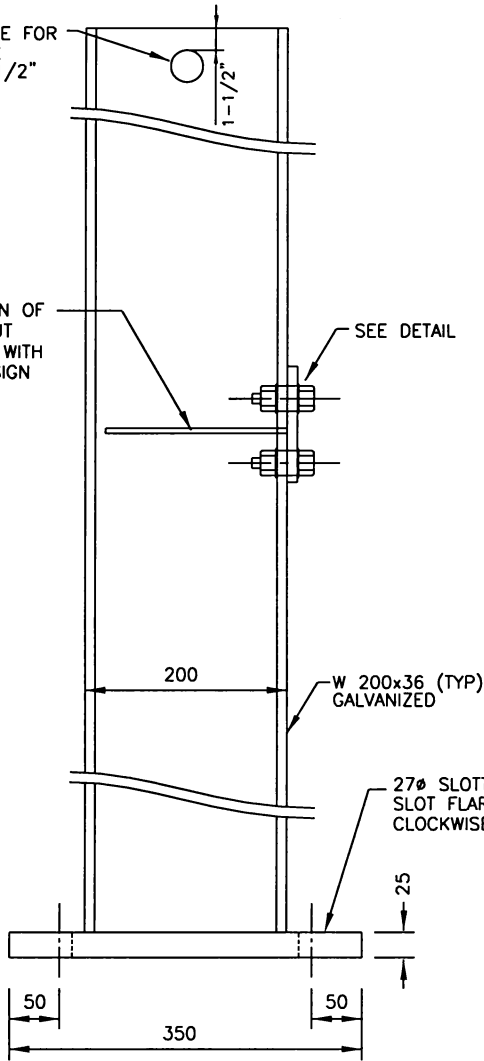
NOTES:

1. Structural steel to CSA G4021 grade 300W.
2. Weld electrode to CSA W481, E70-XX
3. Fabrication and erection of structural steel to CSA S16.
4. All structural steel to be galvanized.

2-1/2" HOLE FOR
CRANE HOOK
APPROX 1-1/2"
FROM TOP

POSITION OF
SAW CUT
VARIES WITH
EACH SIGN

SEE DETAIL

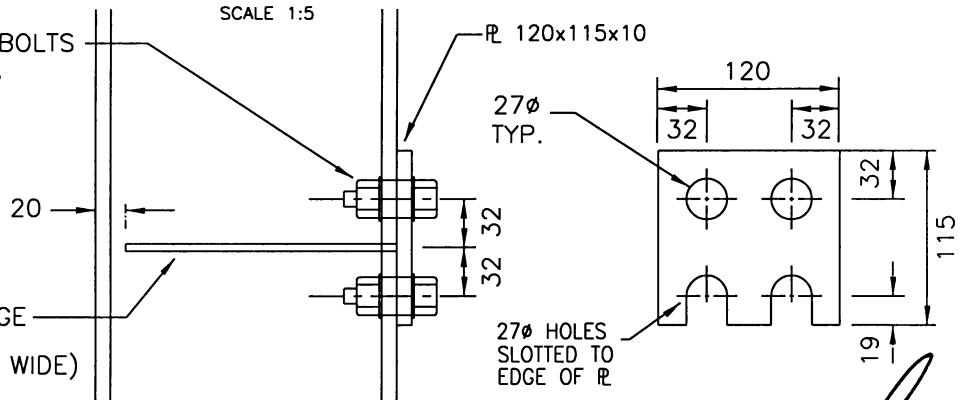


DETAIL

SCALE 1:5

4-25ØA-325 BOLTS
c/w WASHERS,
LOCKING NUTS

SAW CUT FLANGE
AND WEB
(APPROX. 1/8" WIDE)




D:\WORKING\102\0017\1020017012R003.DWG LAYOUT.1.LYT 2003-01-08 14:16 BY ISREGANH

REVISIONS	
1	Added crane hook hole 05 02 CJP
2	REVISED HOLE DIMS 01 03 RPH
3	

DRAWN BY CJP
DATE 01 09 06

CHECKED BY [Signature]
DATE Jan 8/03



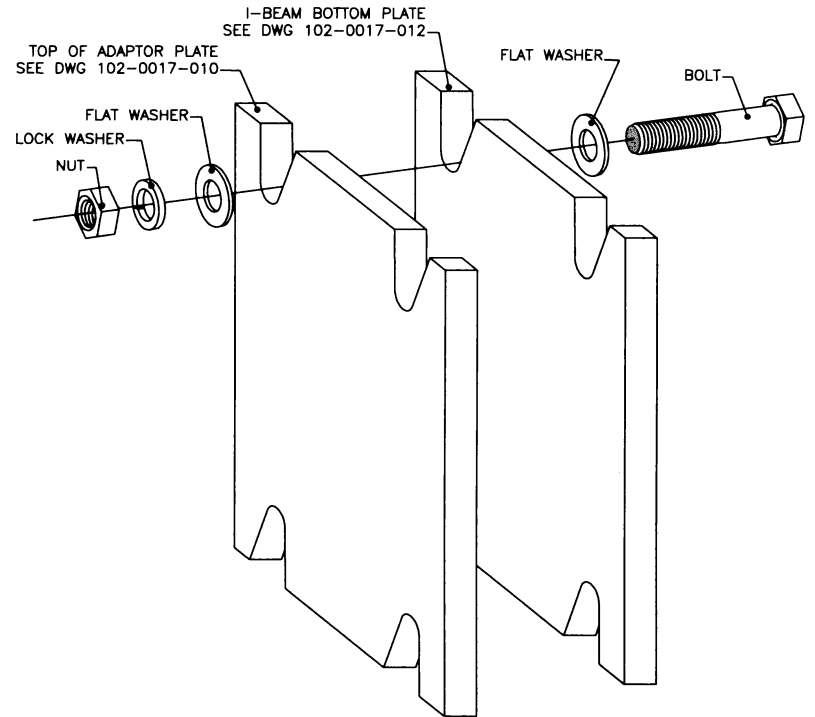
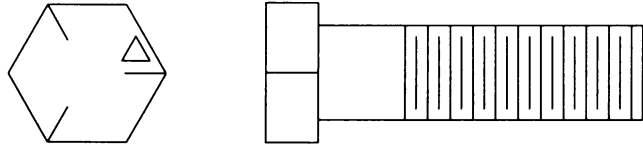
INFRASTRUCTURE
SERVICES

—City of—
Saskatoon

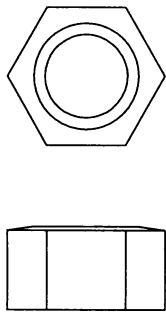
I-BEAM FOR
ROADSIDE GUIDESIGN

APPROVED	
<u>[Signature]</u>	P. ENG.
GENERAL MANAGER	
ENGINEER <u>[Signature]</u>	
ENGINEER	
SCALES : HOR. 1:7.5 VERT.	
PLAN NO. 102-0017-012r003	

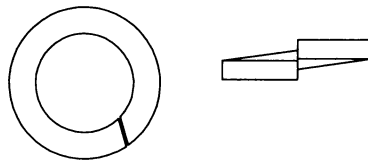
BOLT
STANDARD BOLT - 1"x3 1/2"



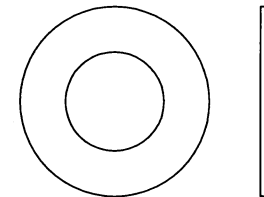
NUT
STANDARD NUT - 1"



LOCK WASHER
STANDARD LOCK WASHER - 1"



FLAT WASHER x2
STANDARD FLAT WASHER - 1"



NOTE: BOLT ASSEMBLY TO BE -GRADE 5 QUALITY
-GALVANIZED

PRINCIPAL ENGINEER		<i>[Signature]</i>	
DATE		NOV 20, 2006	
DRAWN BY		RPH	
DATE		JAN 15 02	
CHECKED BY			
DATE			
1	REVISED BOLT LENGTH TO 3-1/2"	NOV 17 05	RPH
NO.	REVISIONS	DATE	BY

 **City of Saskatoon**
Infrastructure Services Department

BOLT ASSEMBLY
I-BEAM TO ADAPTER PLATE
FOR GROUND MOUNTED SIGNS

GENERAL MANAGER		<i>[Signature]</i>	
SCALE:	1:2	SHEET NO.	
VERT.			
PLAN NO.		102-0017-013r002	

2-1/2" HOLE FOR
CRANE HOOK
APPROX 1-1/2"
FROM TOP

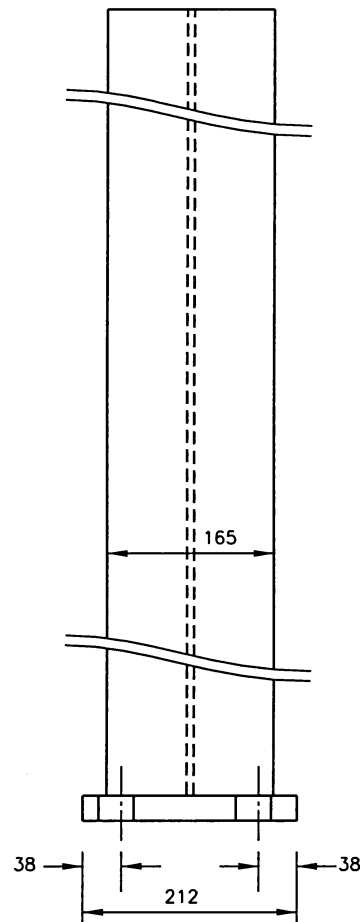
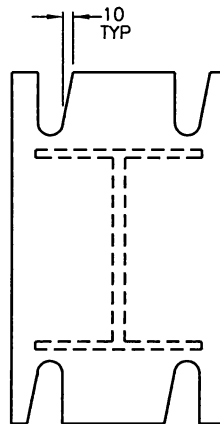
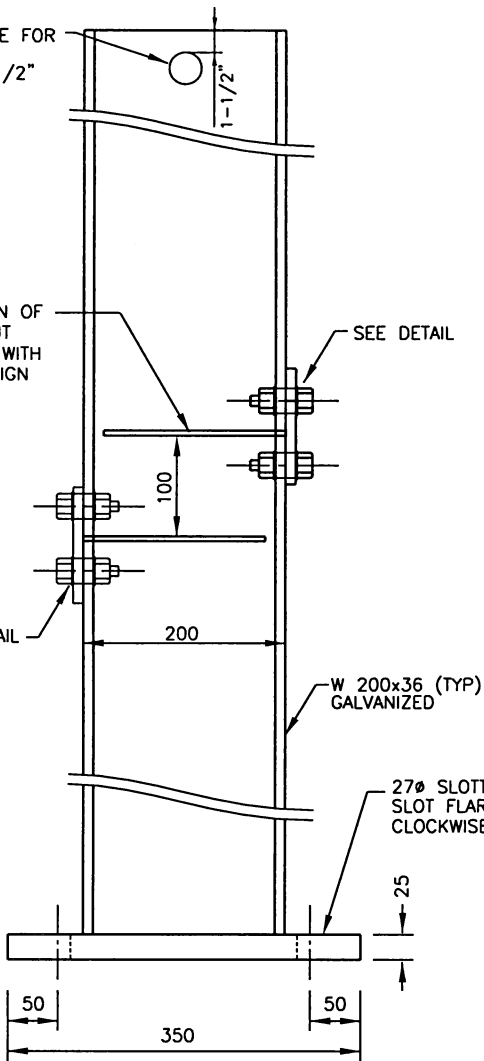
POSITION OF
SAW CUT
VARIES WITH
EACH SIGN

SEE 'DETAIL'

SEE DETAIL

W 200x36 (TYP)
GALVANIZED

27Ø SLOTTED HOLES
SLOT FLARED TO
CLOCKWISE SIDE



DETAIL

SCALE 1:5

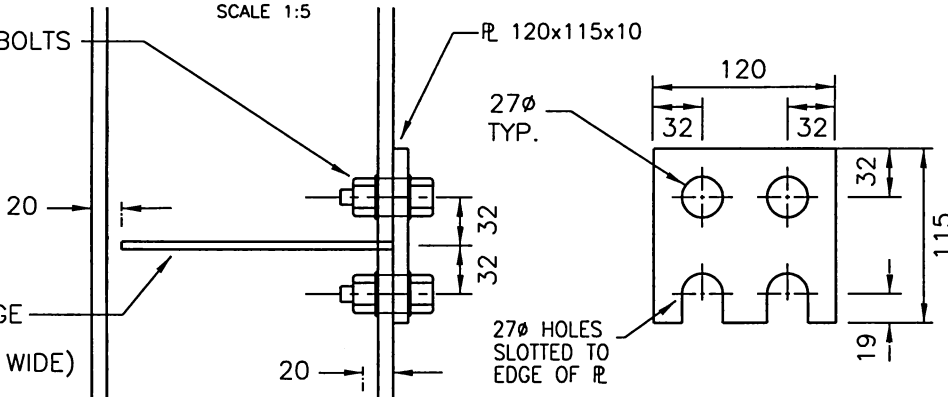
4-25ØA-325 BOLTS
c/w WASHERS,
LOCKING NUTS

SAW CUT FLANGE
AND WEB
(APPROX. 1/8" WIDE)

℞ 120x115x10

27Ø
TYP.

27Ø HOLES
SLOTTED TO
EDGE OF ℞



NOTES:

1. Structural steel to CSA G4021 grade 300W.
2. Weld electrode to CSA W481, E70-XX
3. Fabrication and erection of structural steel to CSA S16.
4. All structural steel to be galvanized.

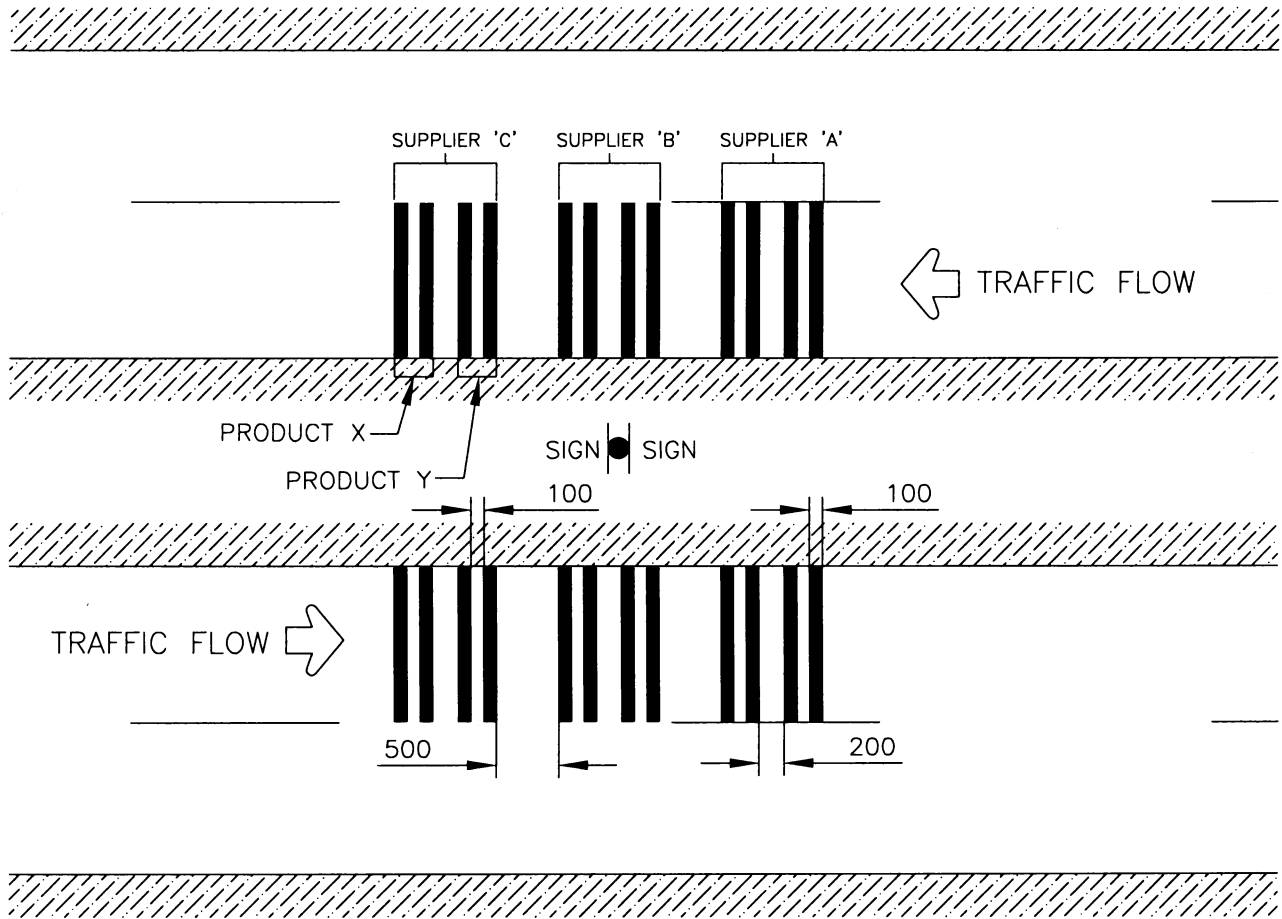
D:\WORKING\102\0017\1020017015R001.DWG LAYOUT1.LYT 2003-05-06 08:34 BY ISRECANH

REVISIONS	
1	
2	
3	
DRAWN BY <u>RPH</u>	
DATE <u>MAY 06 2003</u>	
CHECKED BY _____	
DATE _____	

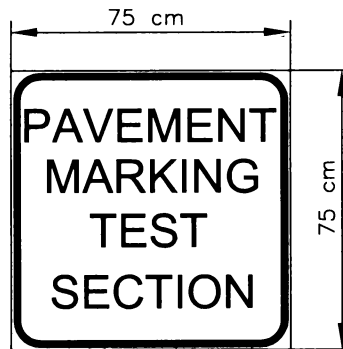


I-BEAM FOR
MEDIAN GUIDESIGN

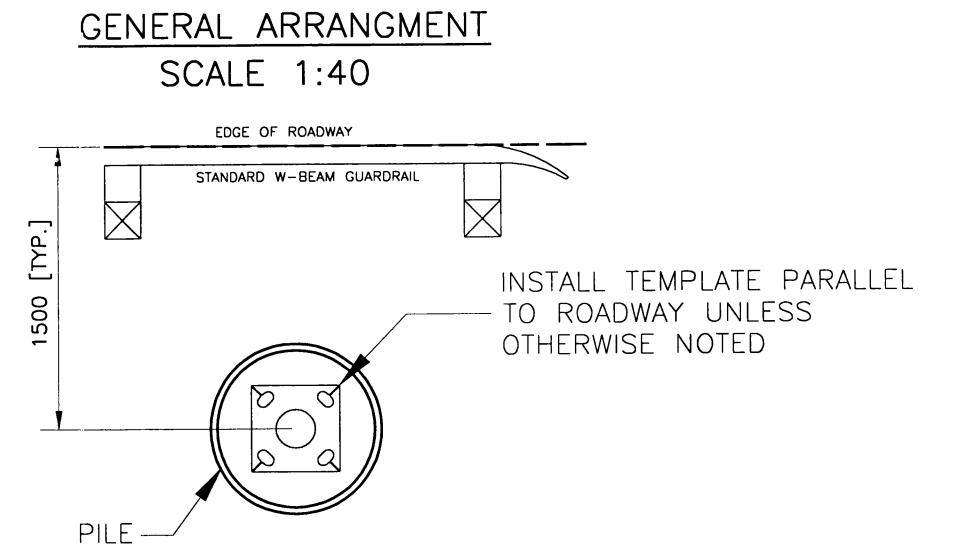
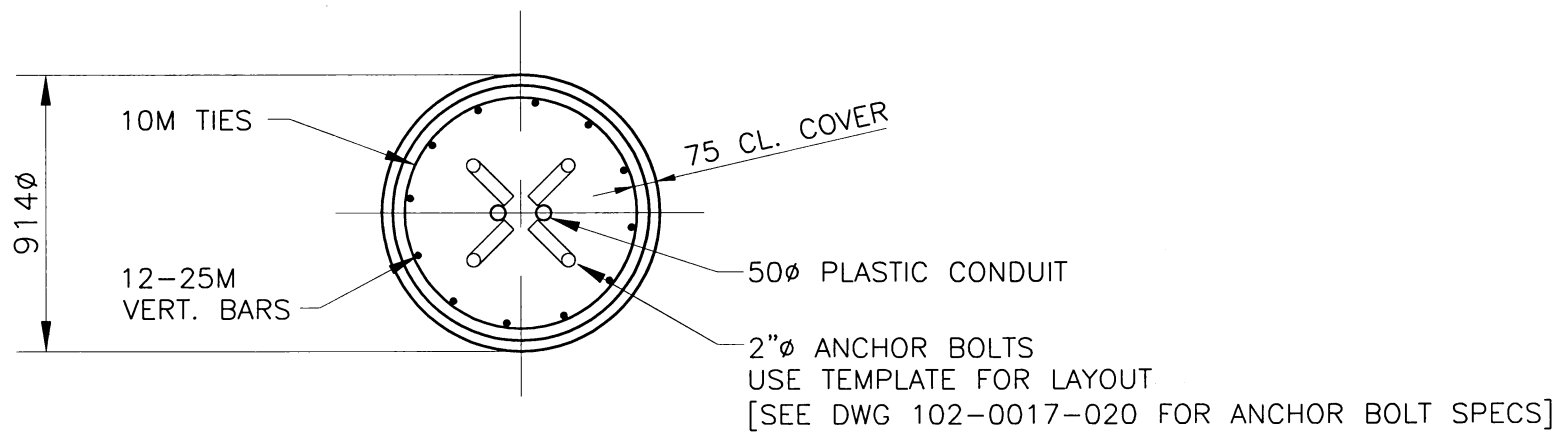
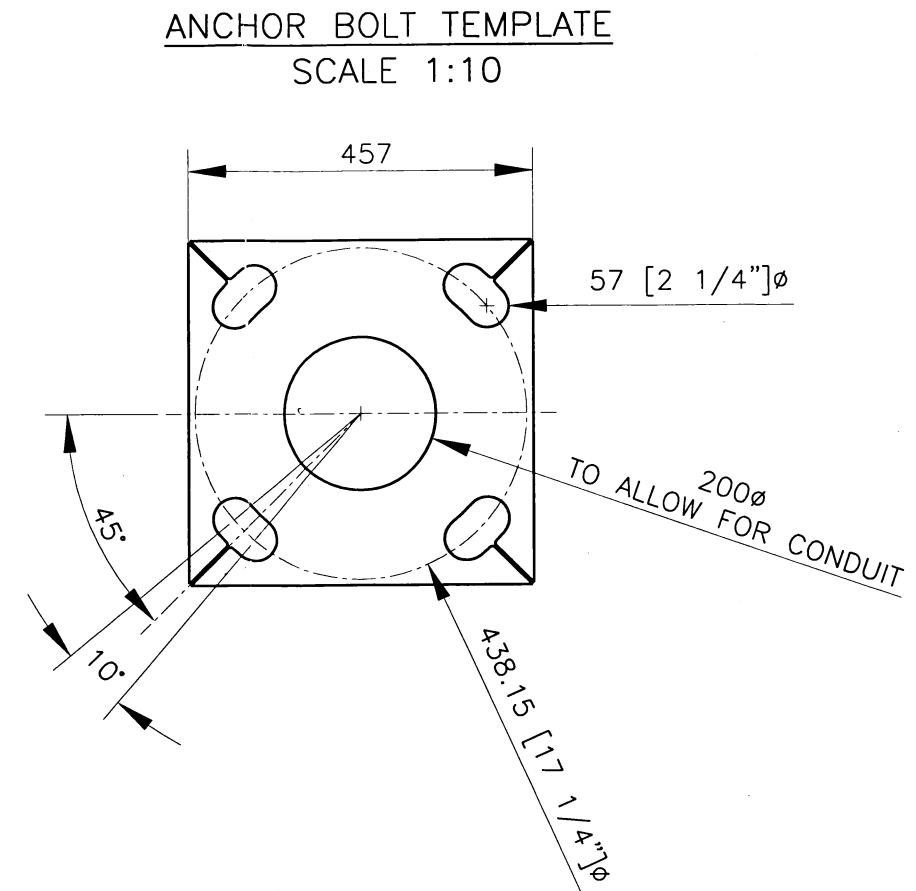
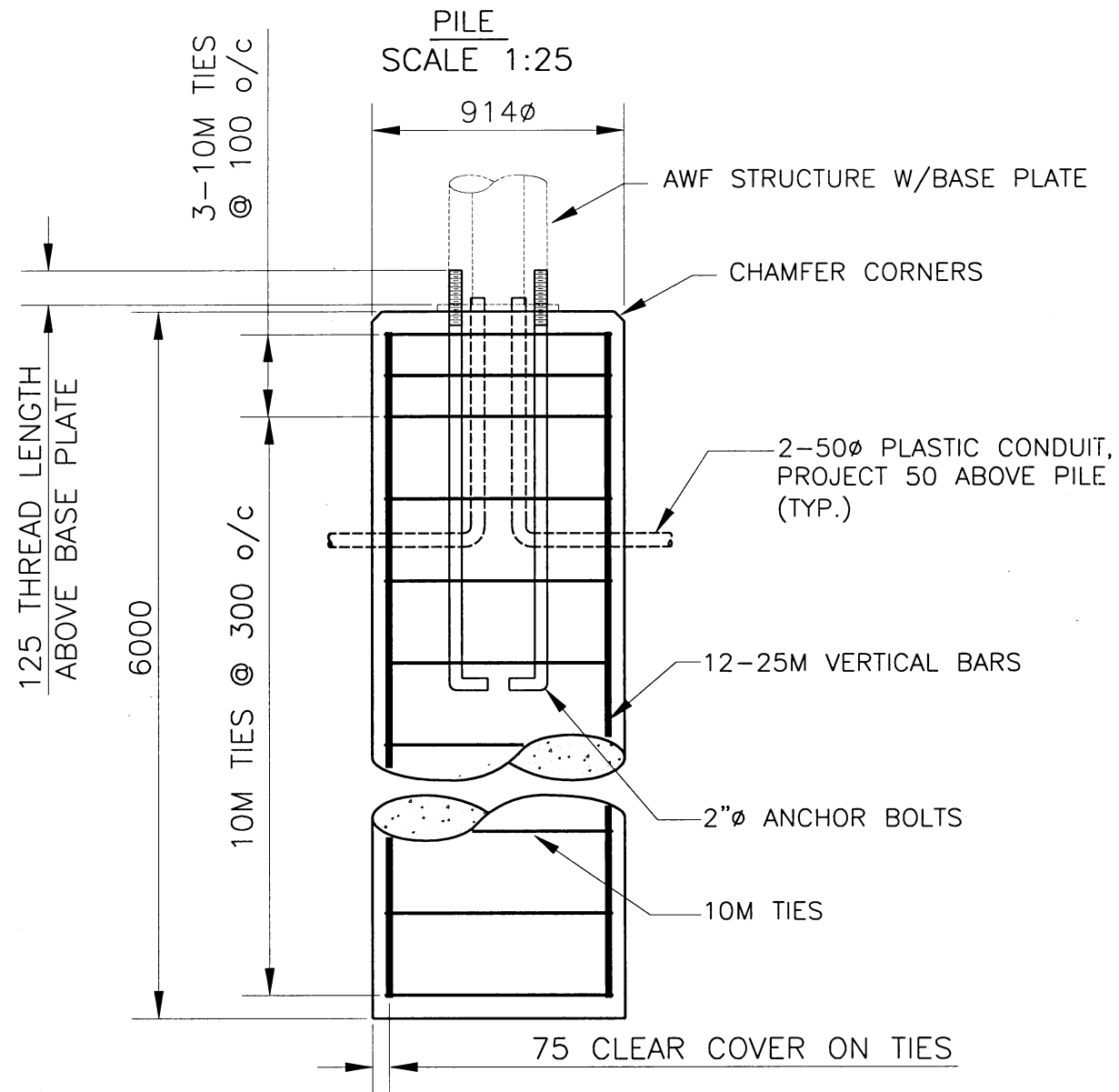
APPROVED	
GENERAL MANAGER	E. ENG.
ENGINEER	
ENGINEER	
SCALES : HOR. 1:7.5 VERT.	
PLAN NO. 102-0017-015r001	



- ALL TEST LINES TO BE 100mm WIDE, WITH A 100mm BUFFER BETWEEN EACH SAME PRODUCT TEST LINE
- A 200mm BUFFER REQUIRED BETWEEN EACH DIFFERENT PRODUCT TEST LINE GROUP
- SUPPLIERS TEST SECTIONS TO BE SEPARATED BY A 500mm BUFFER
- ALL TEST SECTIONS TO BE ACCOMPANIED BY THIS SIGN:



REVISIONS			APPROVED	
1			 GENERAL MANAGER P. ENG.	
2			 ENGINEER	
3				
DRAWN BY <u>RPH</u> DATE <u>MAY 12 2003</u>		PAVEMENT MARKING TEST SECTIONS TEMPLATE		
CHECKED BY _____ DATE _____				
		SCALES : HOR. NTS VERT. PLAN NO. 102-0017-016r001		



NOTE: THIS DRAWING IS ONLY TO BE USED WITH STANDARD ADVANCE WARNING FLASHER STRUCTURES

D:\WORKING\102\0017\1020017017R001.DWG LAYOUT1.LYT 2003-08-06 10:25 BY ISREGANH

NO.	DESCRIPTION	DATE	NO.	REVISIONS	DATE	BY
11						
10						
9						
8						
7						
6						
5						
4						
3						
2						
1	BASE PLAN					

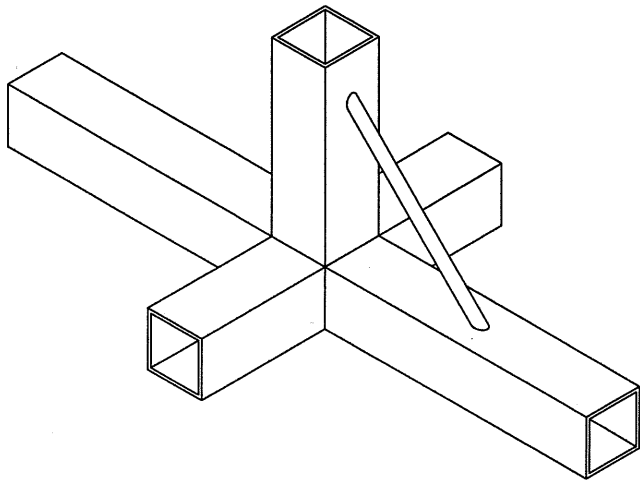
MUNICIPAL ENGINEERING		PUBLIC WORKS	
ENGINEER	ENGINEER	ENGINEER	ENGINEER
ENGINEER	ENGINEER	ENGINEER	ENGINEER
DRAWN BY	RPH	DATE	AUG 6 2003
DATE		DATE	Aug 06/03
CHECKED BY		CHECKED BY	
DATE		DATE	



ADVANCE WARNING FLASHER STRUCTURE

PILE AND ANCHOR BOLT TEMPLATE

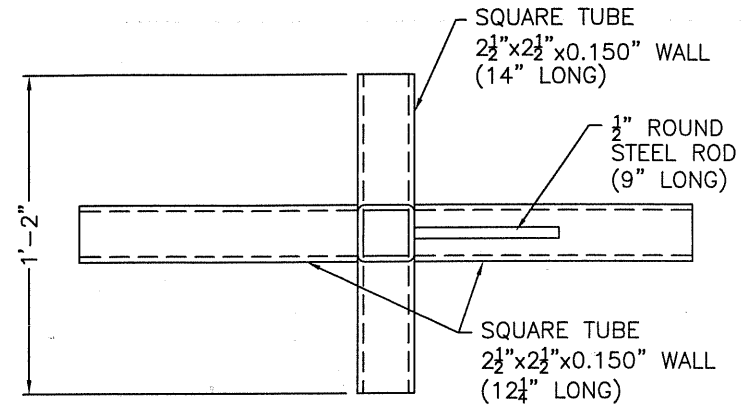
GENERAL MANAGER	P. ENG
DATE	DATE
SCALE: AS NOTED	SHEET NO.
VERT.	
PLAN NO.	
102-0017-017r001	



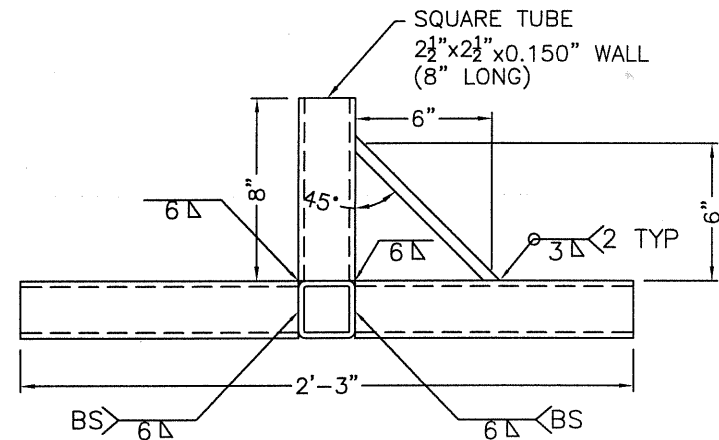
TEMPORARY SIGN BASE ASSEMBLY

LIST OF MATERIALS:
(PER ASSEMBLY)

- 2 - 2½" x 2½" x 0.150" WALL x 12¼"
- 1 - 2½" x 2½" x 0.150" WALL x 14"
- 1 - 2½" x 2½" x 0.150" WALL x 8"
- 1 - ½" x 9" STEEL ROD



TOP VIEW



FRONT VIEW

REVISIONS	
1	ADDED MTRL LENGTHS
2	
3	
DRAWN BY <u>CJP</u>	
DATE <u>JANUARY 5, 2007</u>	
CHECKED BY _____	
DATE _____	



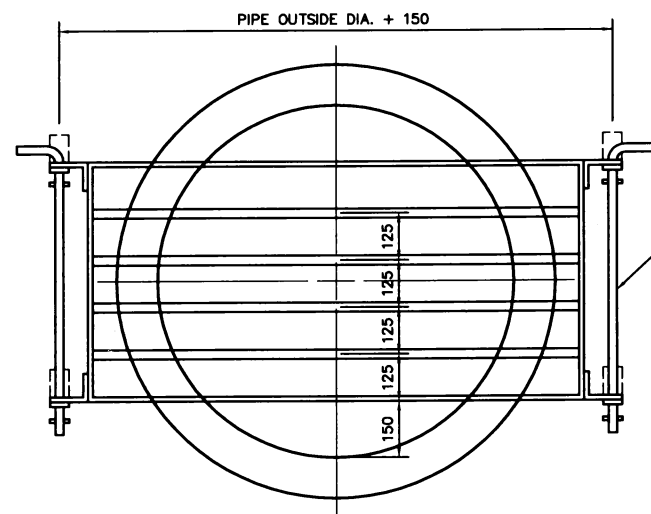
City of Saskatoon
Infrastructure Services Department

TEMPORARY SIGN BASE
HSS Tube A500 Grade C

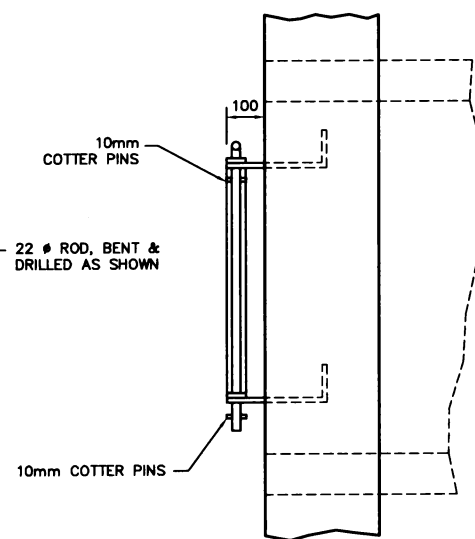
APPROVED	
	<i>May 11</i>
GENERAL MANAGER	P. ENG.
ENGINEER	
ENGINEER	
SCALES: HOR. NTS	
PLAN NO. 102-0017-031r002	



TOP VIEW

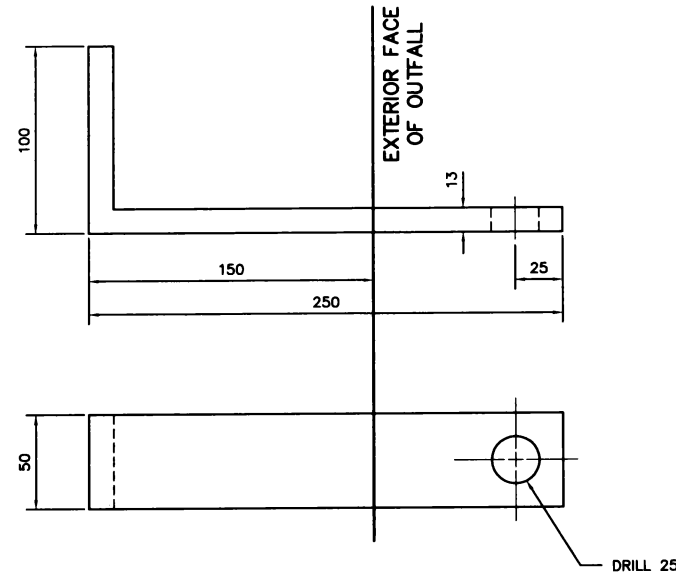


FRONT VIEW

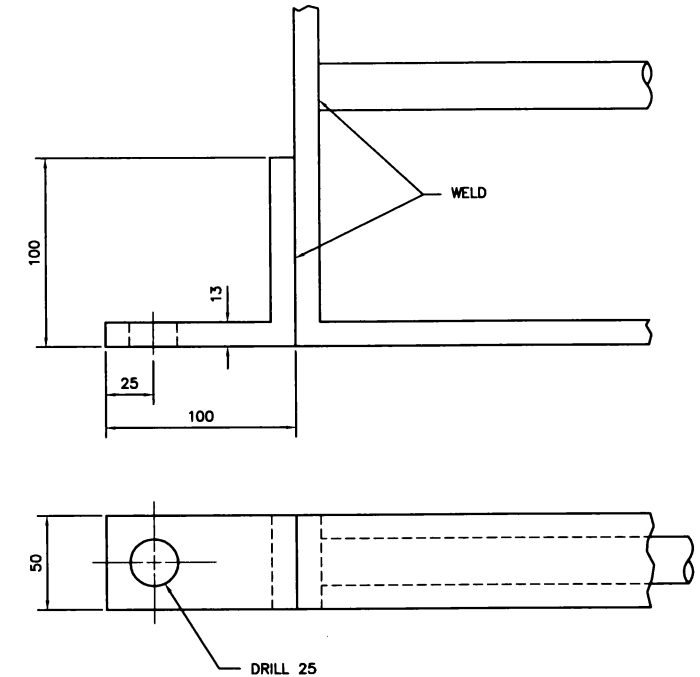


SIDE VIEW

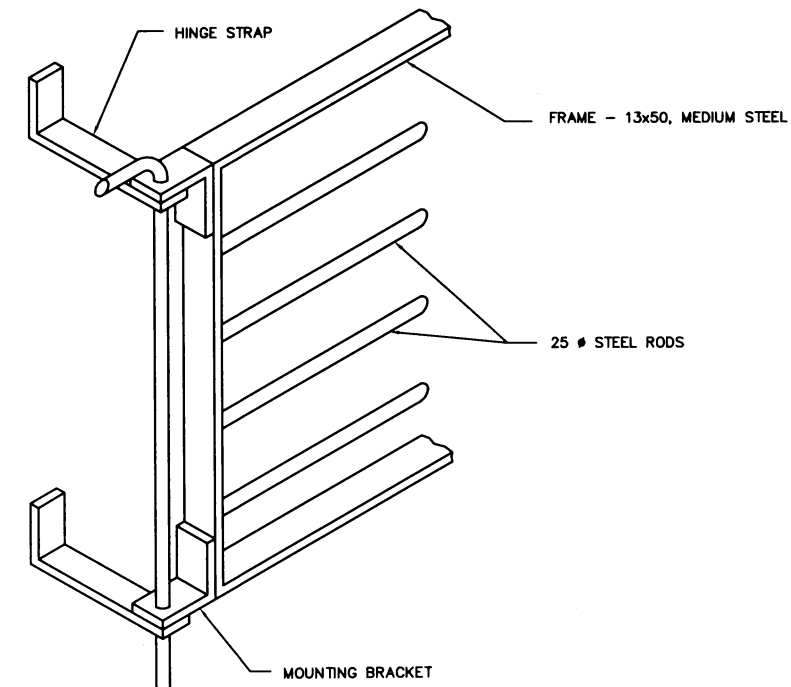
PIPE DIAMETER	300	375	450	525	600	675	750	900	1050	1200
# OF RODS IN FRAME	0	0	1	1	2	3	3	4	6	7



HINGE STRAP
(4 REQUIRED)



MOUNTING BRACKET
(4 REQUIRED)



ASSEMBLY

NOTE:

1. GRATE ASSEMBLY SHALL BE HOT DIP GALVANIZED AFTER FABRICATION.
2. GALVANIZING SHALL BE 56.8 g ZINC & IN ACCORDANCE WITH CSA SPEC. G164-1965.
3. ALL STEEL SHALL BE A.S.T.M. A-36 MIN.

ALL DIMENSIONS IN MILLIMETERS UNLESS OTHERWISE SHOWN.

NO.	DESCRIPTION	DATE	NO.	REVISIONS	DATE	BY
11						
10						
9						
8						
7						
6						
5						
4						
3						
2						
1	BASIC PLAN					

STAMP	
ENGINEER	ENGINEER
ENGINEER	ENGINEER
ENGINEER	ENGINEER

DRAWN BY	DATE	CHECKED BY	DATE

MUNICIPAL ENGINEERING		PUBLIC WORKS	
A. Boyle			
ENGINEER	ENGINEER	ENGINEER	ENGINEER
ENGINEER	ENGINEER	ENGINEER	ENGINEER
ENGINEER	ENGINEER	ENGINEER	ENGINEER

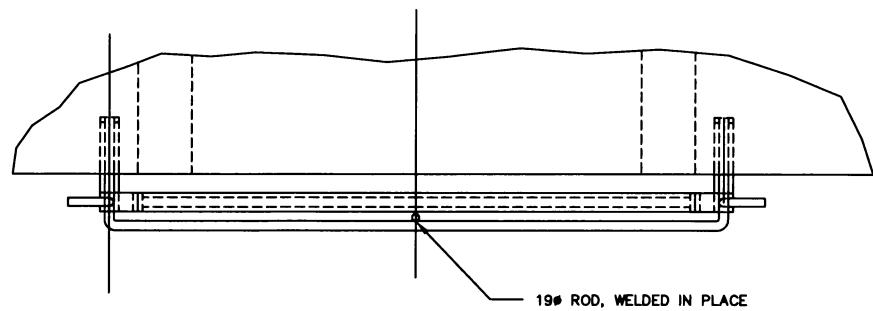
DRAWN BY	DATE	CHECKED BY	DATE

INFRASTRUCTURE SERVICES

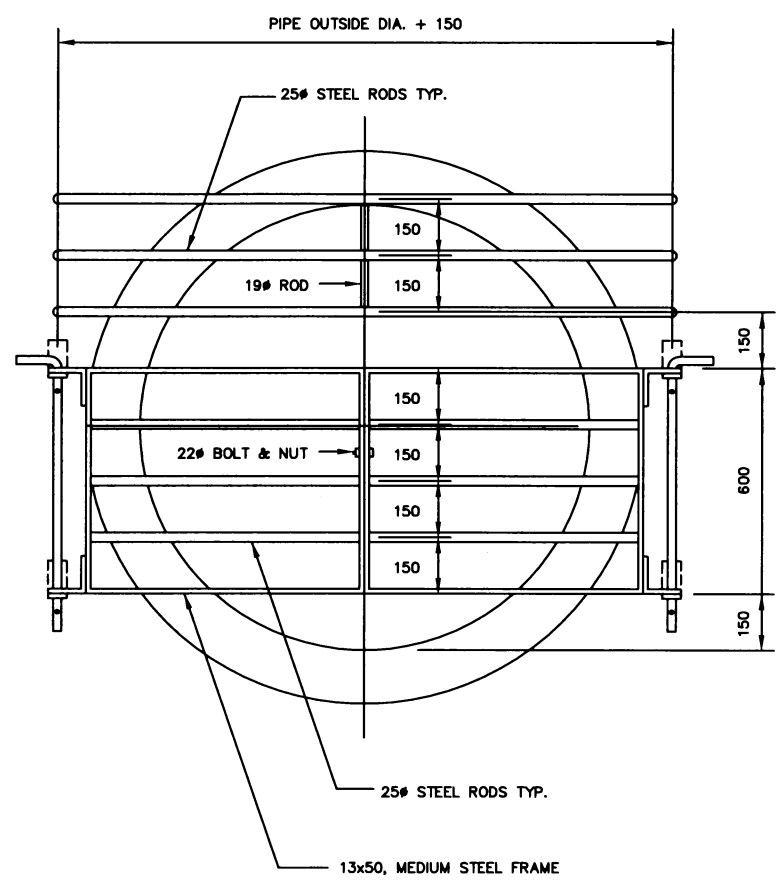
City of Saskatoon

GRATING FOR CONCRETE ENDWALL
PIPE DIAMETER UP TO 1200mm

SCALE: 1:20	SHEET NO.
VERT. _____	DATE
PLAN NO.	DATE
102-0018-001r001	

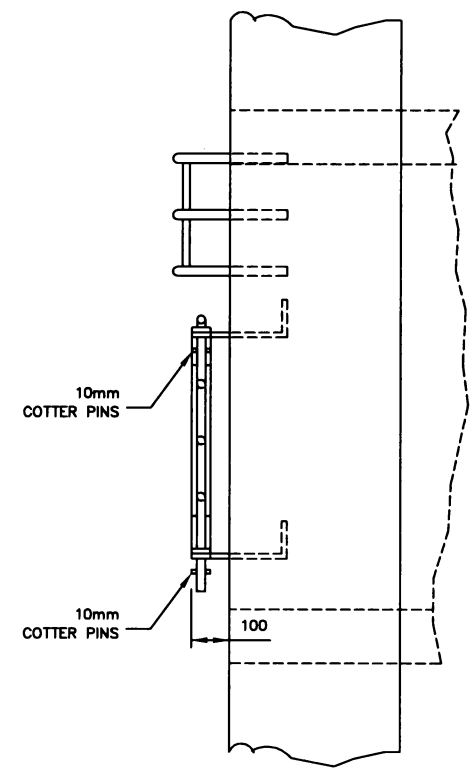


TOP VIEW

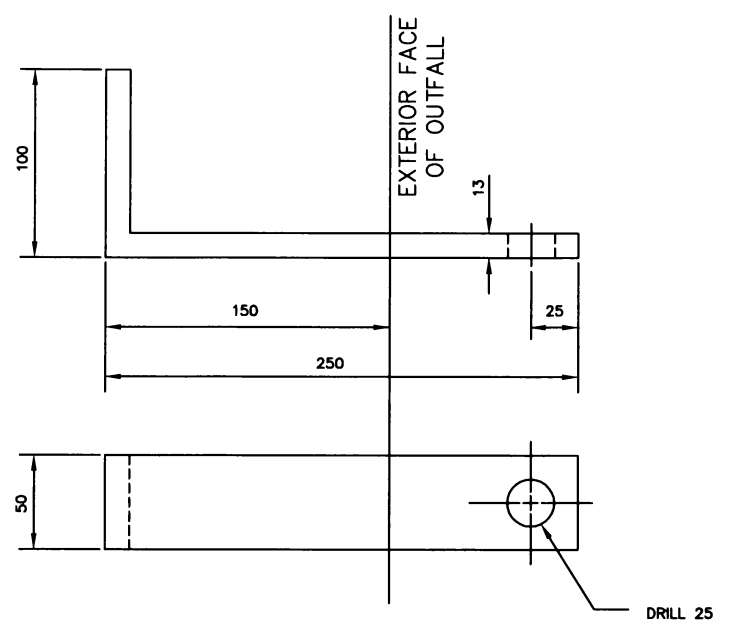


FRONT VIEW

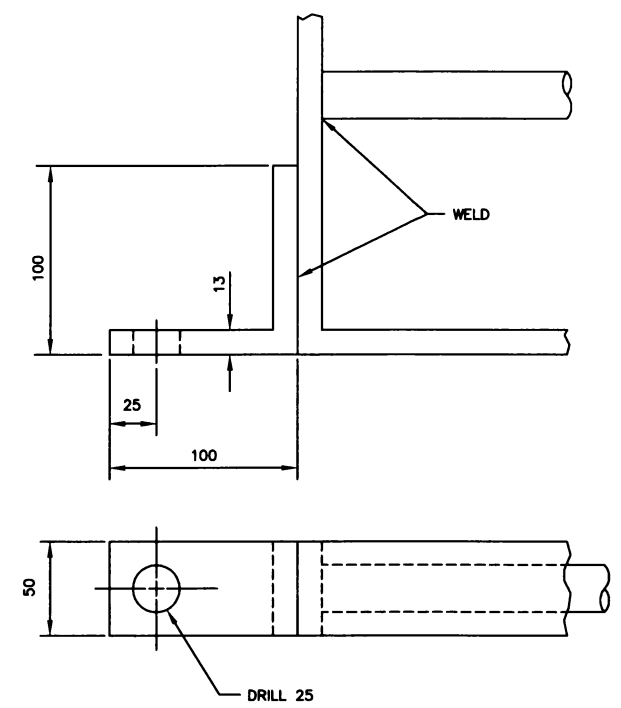
PIPE DIAMETER	1350	1500	1800
# OF RODS (FIXED)	3	4	6



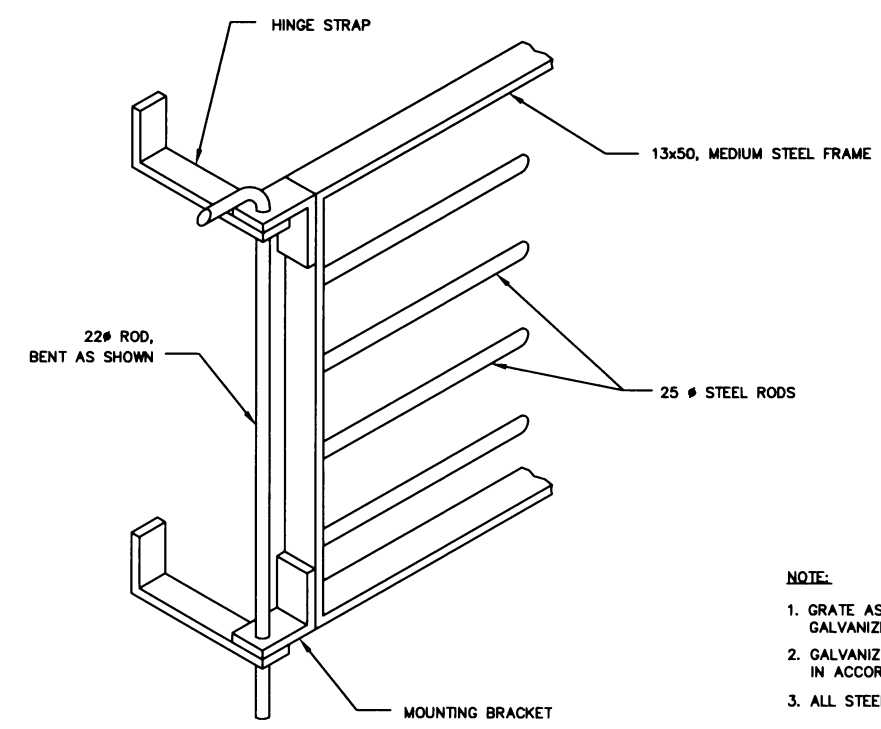
SIDE VIEW



HINGE STRAP
(4 REQUIRED)



MOUNTING BRACKET
(4 REQUIRED)



ASSEMBLY

- NOTE:
1. GRATE ASSEMBLY SHALL BE HOT DIP GALVANIZED AFTER FABRICATION.
 2. GALVANIZING SHALL BE 56.8 g ZINC & IN ACCORDANCE WITH CSA SPEC. G164-1965.
 3. ALL STEEL SHALL BE A.S.T.M. A-36 MIN.

ALL DIMENSIONS IN MILLIMETERS UNLESS OTHERWISE NOTED

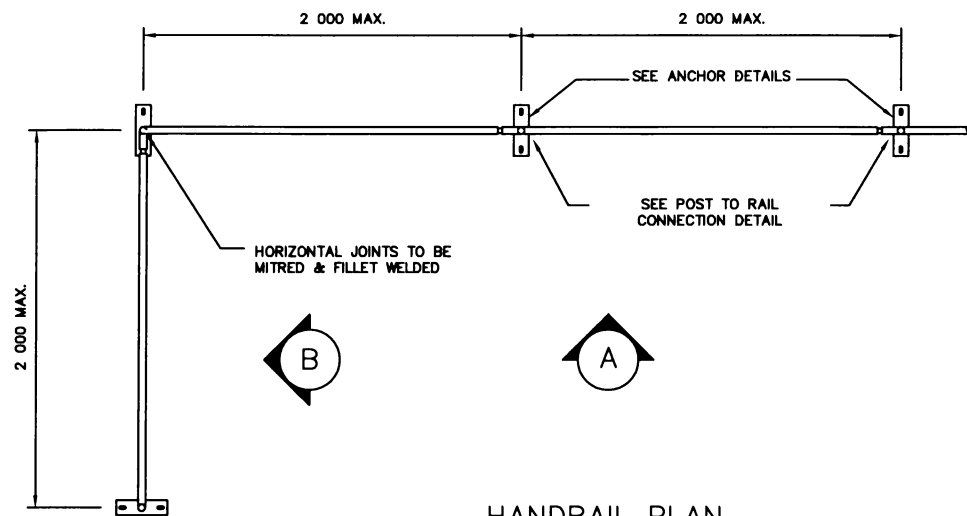
11					
10					
9					
8					
7					
6					
5					
4					
3					
2					
1	BASE PLAN				
	DESCRIPTION	DATE	NO.	REVISIONS	DATE BY

MUNICIPAL ENGINEERING		PUBLIC WORKS	
 ENGINEER		ENGINEER	
DRAWN BY _____ DATE _____		DRAWN BY _____ DATE _____	
CHECKED BY _____ DATE _____		CHECKED BY _____ DATE _____	

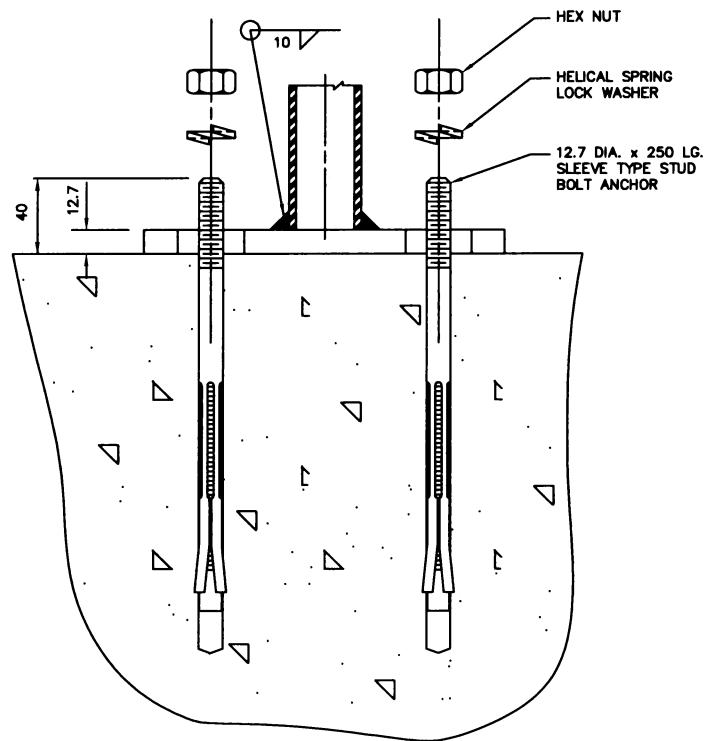
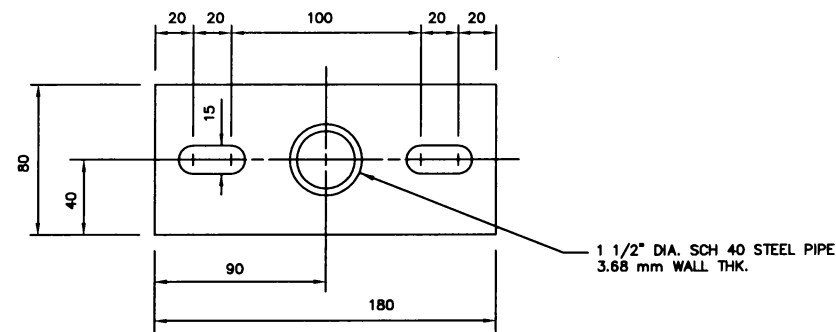
City of Saskatoon
 INFRASTRUCTURE SERVICES

GRATING FOR CONCRETE ENDWALL
 PIPE DIAMETER 1350mm TO 1800mm

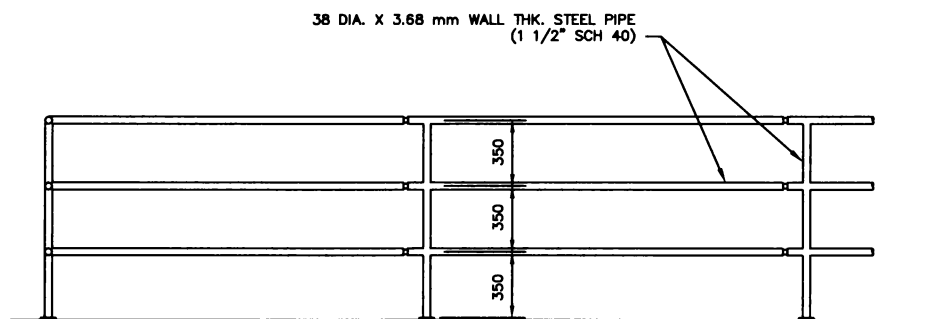
 GENERAL MANAGER		DATE
SCALES : HOR. 1:40 VERT. _____	SHEET NO.	
PLAN NO. 102-0018-002r001		



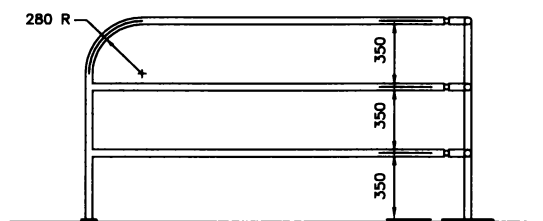
HANDRAIL PLAN
1 : 40



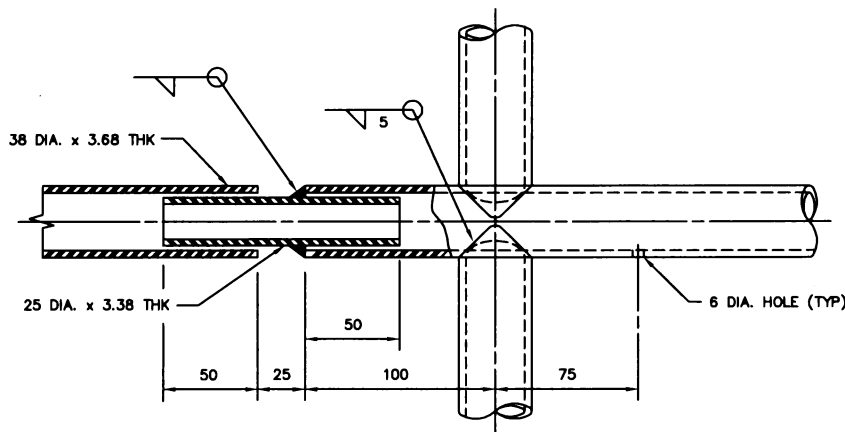
ANCHOR BOLT DETAIL



ELEVATION A
1 : 40



ELEVATION B
1 : 40



POST TO RAIL DETAIL ELEVATION

GENERAL NOTES

1. BASE PLATES, HANDRAILS & ANCHOR BOLTS SHALL BE HOT DIP GALVANIZED AFTER FABRICATION.
2. GALVANIZING SHALL BE 56.8 g ZINC AND IN ACCORDANCE WITH C.S.A. SPECIFICATION G184-1965.
3. MEASUREMENTS FOR THE HEIGHT OF HANDRAIL ARE TAKEN FROM TOP OF BASE PLATE TO C OF HORIZONTAL PIPES.
4. ALL STEEL SHALL BE A.S.T.M. A-36 MIN.
5. POSTS SHALL BE VERTICAL. ALL EXPOSED CORNERS TO BE GROUND SMOOTH.
6. 6mm DIA. HOLES ARE TO PERMIT GASES TO ESCAPE DURING GALVANIZING.

ALL DIMENSIONS IN MILLIMETRES UNLESS OTHERWISE NOTED

11					
10					
9					
8					
7					
6					
5					
4					
3					
2					
1	BASE PLAN	CRF			
	DESCRIPTION	DATE	NO.	REVISIONS	DATE BY

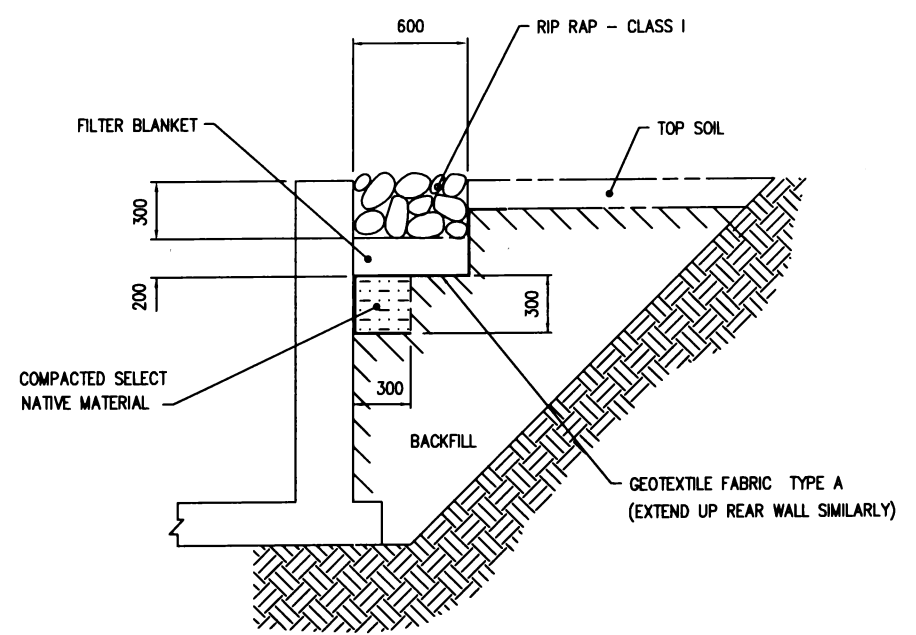
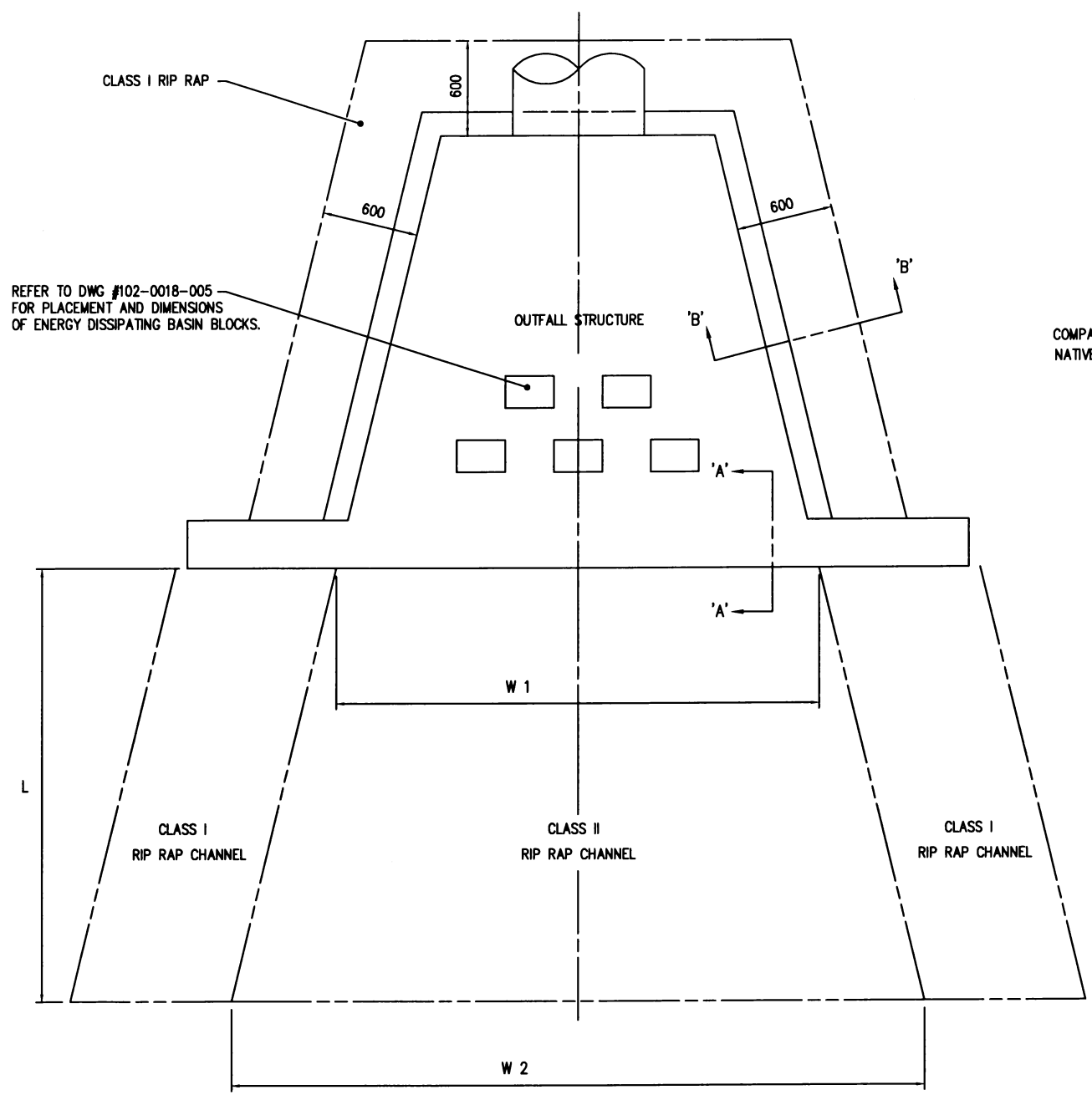
MUNICIPAL ENGINEERING		PUBLIC WORKS	
ENGINEER <i>A. Boyko</i>		ENGINEER	
ENGINEER		ENGINEER	
DRAWN BY	DATE	DRAWN BY	DATE
CHECKED BY	DATE	CHECKED BY	DATE

INFRASTRUCTURE SERVICES

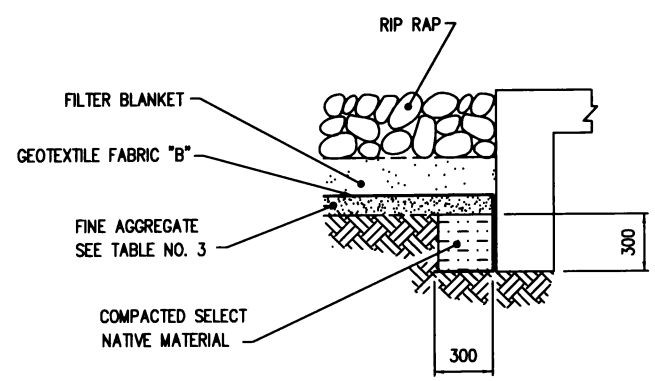
City of Saskatoon

STANDARD HANDRAIL

GENERAL MANAGER <i>P. DMC</i>	
DATE	SHEET NO.
SCALE: HOR. 1:4	VERT. _____
PLAN NO. 102-0018-003r001	



SECTION B - B
1:20



SECTION A - A
1:20

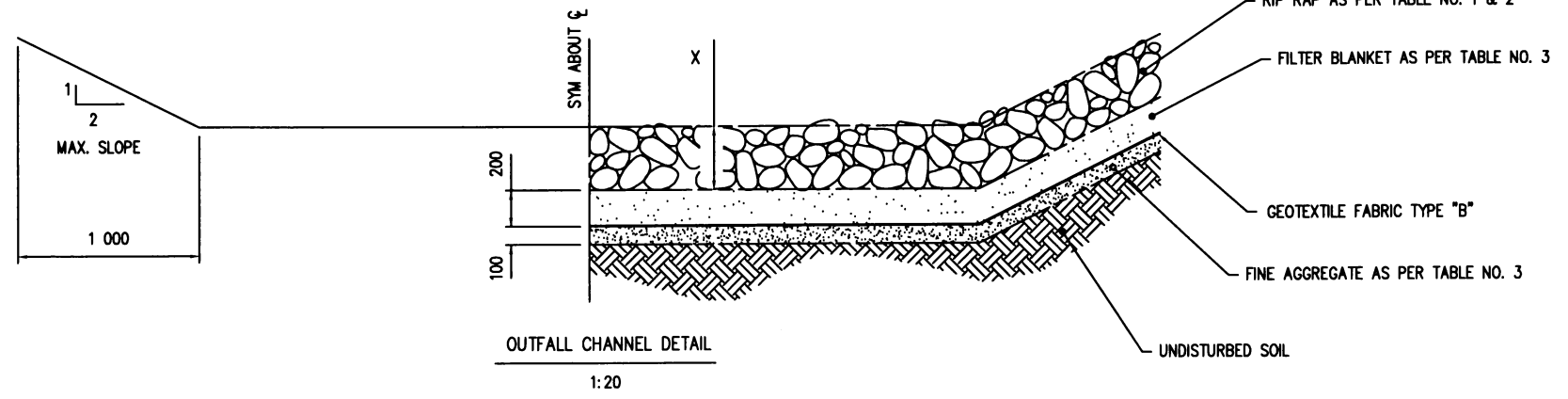


TABLE NO. 1

OUTFALL LOCATION	RIP RAP CLASS	L	W 1	W 2	X
EXAMPLE STREET	CLASS II	6 400	3 000	6 030	625

TABLE NO. 2

% OF TOTAL WEIGHT SMALLER THAN GIVEN SIZE	RIP RAP STONE SIZE			
	CLASS I		CLASS II	
	kg	DIA	kg	DIA
100	50	350	300	625
80	25	275	200	525
50	10	200	100	425
10	1	100	10	200

TABLE NO. 3

FILTER BLANKET				FINE AGGREGATE	
FOR CLASS I RIP RAP		FOR CLASS II RIP RAP		% PASSING BY WEIGHT	SIZE
% PASSING	SIEVE SIZE	% PASSING	SIEVE SIZE		
100	38	100	50	100	10
90	25	80	38	97	5
70	18	60	25	88	2
45	10	45	18	63	900 µm
25	5	25	10	32	400 µm
10	2	10	5	7	160 µm

TABLE NO. 4

GEOTEXTILE		
GEOTEXTILE "A"	MASS	240 g/m ²
	THICKNESS	2.75 mm
GEOTEXTILE "B"	MASS	240 g/m ²
	THICKNESS	3.30 mm

ALL DIMENSIONS IN MILLIMETRES UNLESS OTHERWISE NOTED

NO.	DESCRIPTION	DATE	NO.	REVISIONS	DATE	BY
1	BASE PLAN	JMH	06-01-25			

MUNICIPAL ENGINEERING		PUBLIC WORKS	
ENGINEER	<i>A. Boyle</i>	ENGINEER	
DATE		DATE	
CHECKED BY		CHECKED BY	
DATE		DATE	

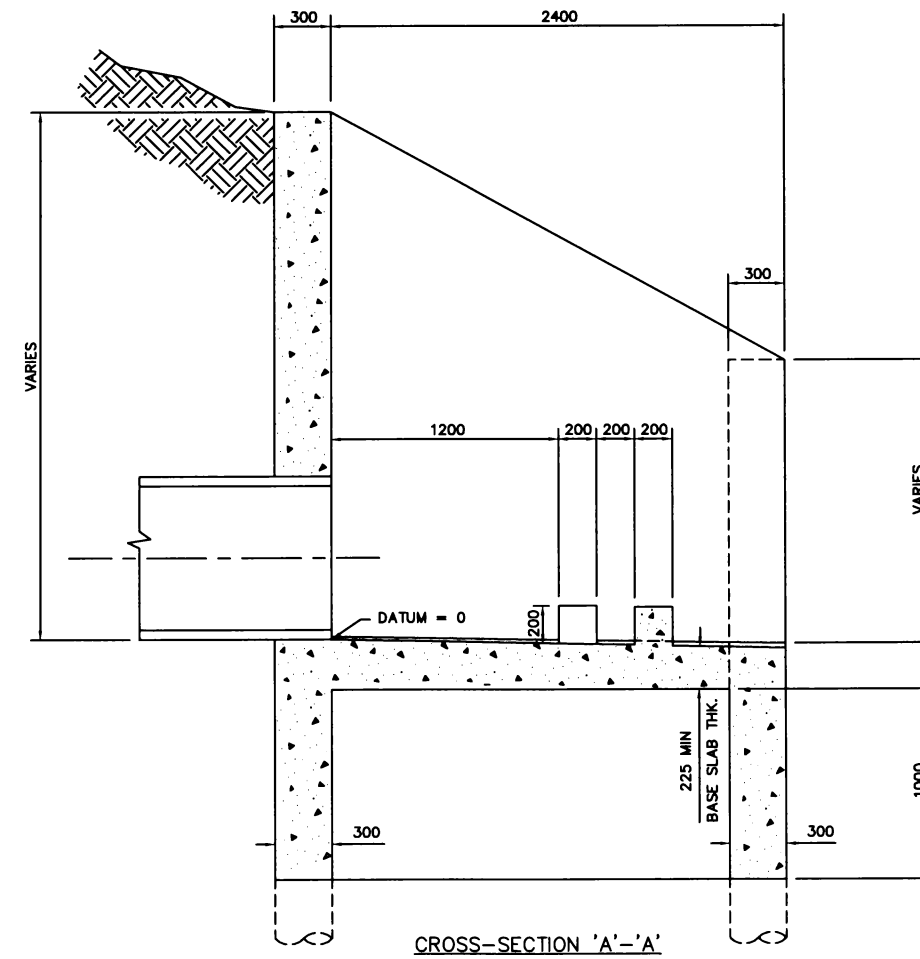
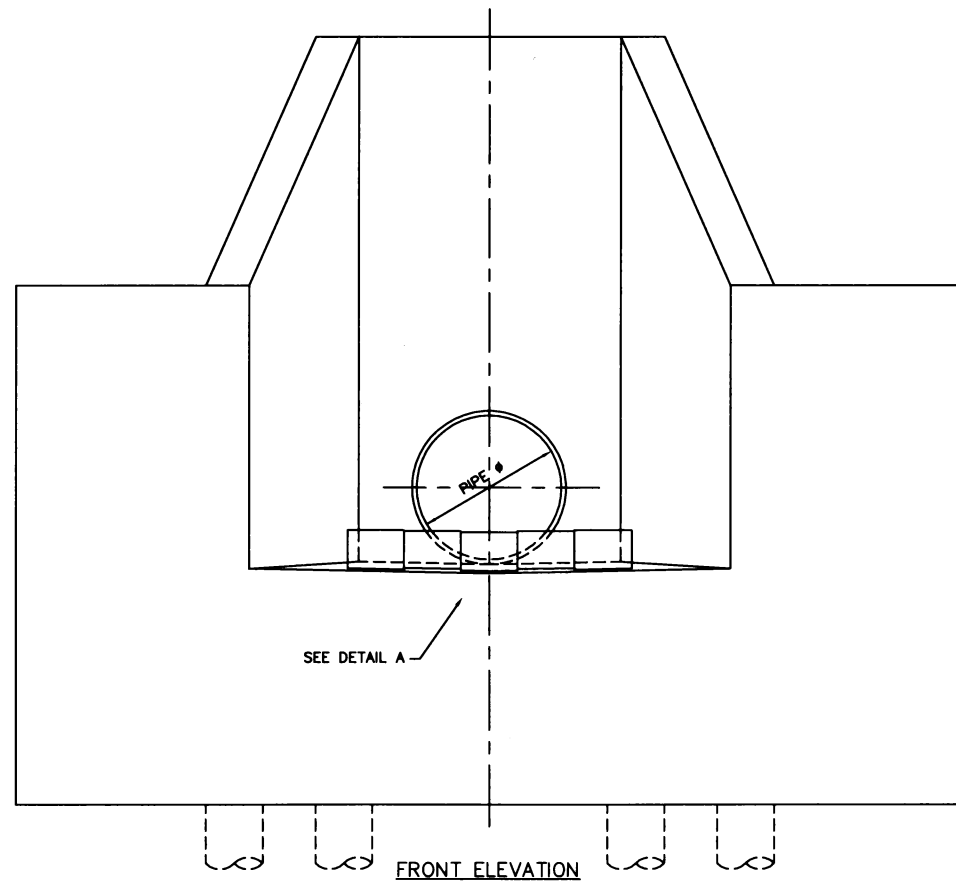
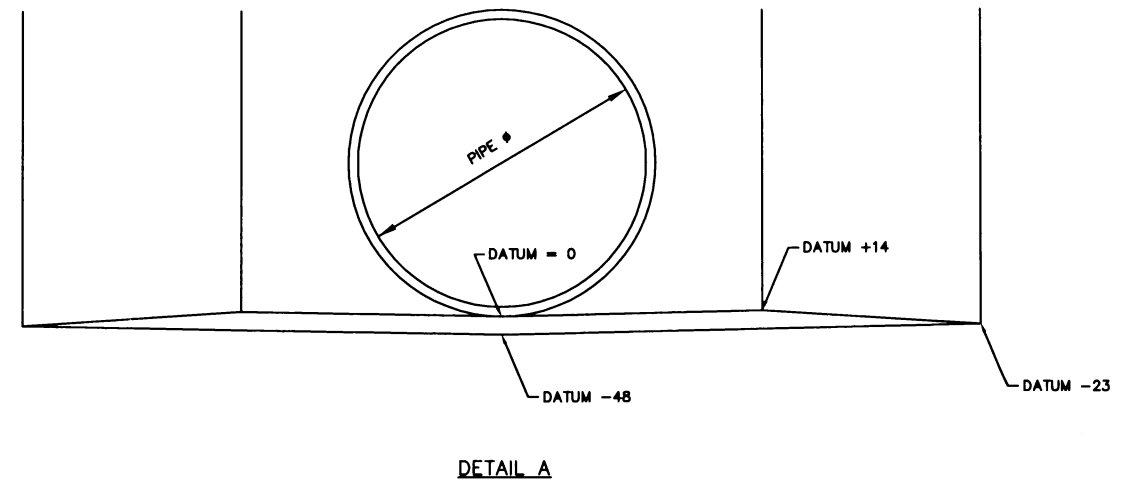
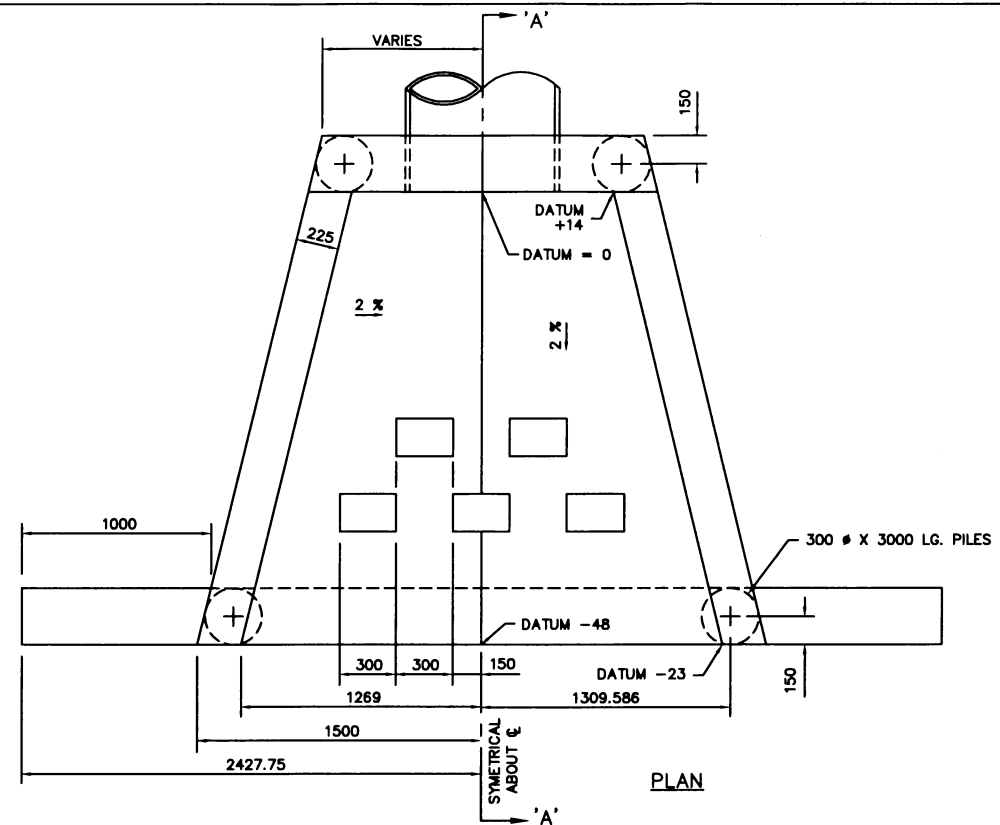


GENERAL MANAGER *[Signature]*

SCALES: HOR. 1:20 SHEET NO. _____

VERT. _____

PLAN NO. 102-0018-004r001



ALL DIMENSIONS IN MILLIMETRES UNLESS OTHERWISE NOTED

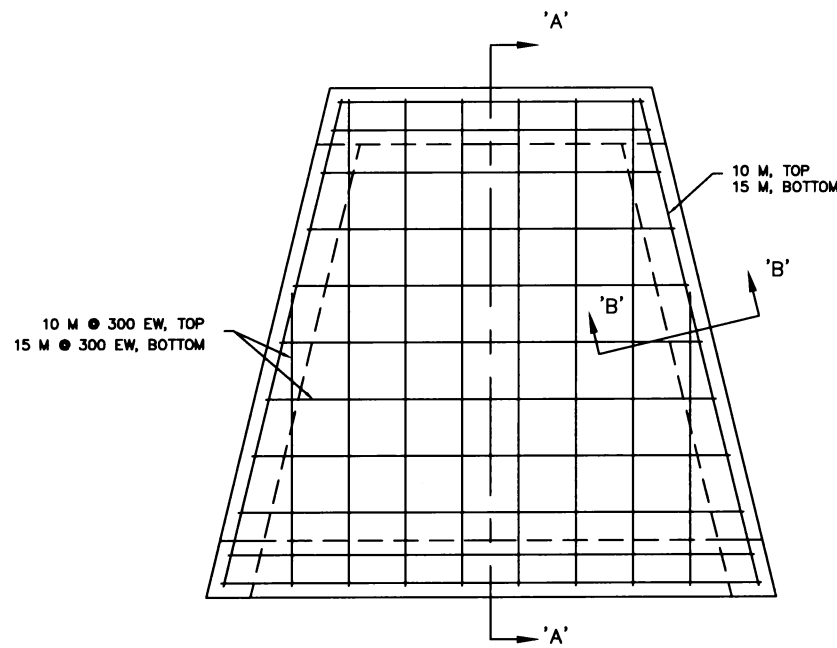
NO.	DESCRIPTION	DATE	NO.	REVISIONS	DATE	BY
1	BASE PLAN	JMH	06-01-25			

MUNICIPAL ENGINEERING		PUBLIC WORKS	
ENGINEER	<i>A. Boyle</i>	ENGINEER	
ENGINEER		ENGINEER	
DRAWN BY		DRAWN BY	
DATE		DATE	
CHECKED BY		CHECKED BY	
DATE		DATE	

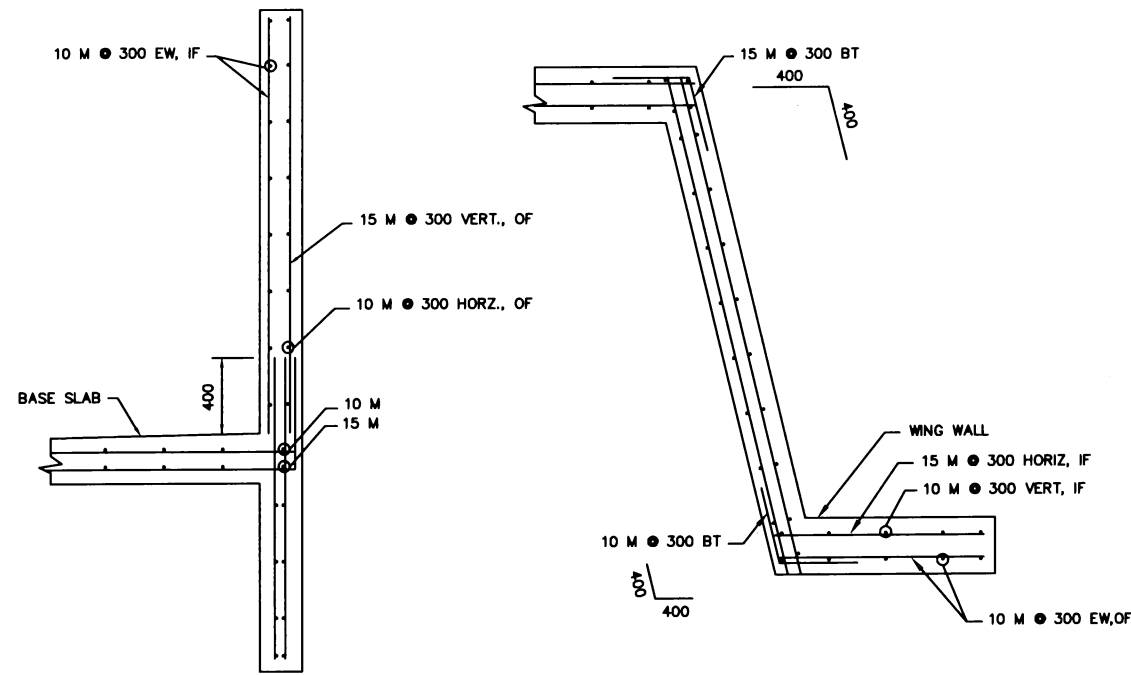


STORM SEWER OUTFALL

GENERAL MANAGER	<i>[Signature]</i>	P. ENG.
DATE		
SCALES:		SHEET NO.
HOR. 1:20		
VERT. -		
PLAN NO.	102-0018-005r001	

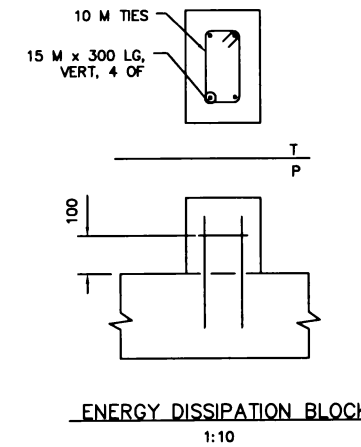


BASE SLAB REINFORCEMENT



SECTION B - B

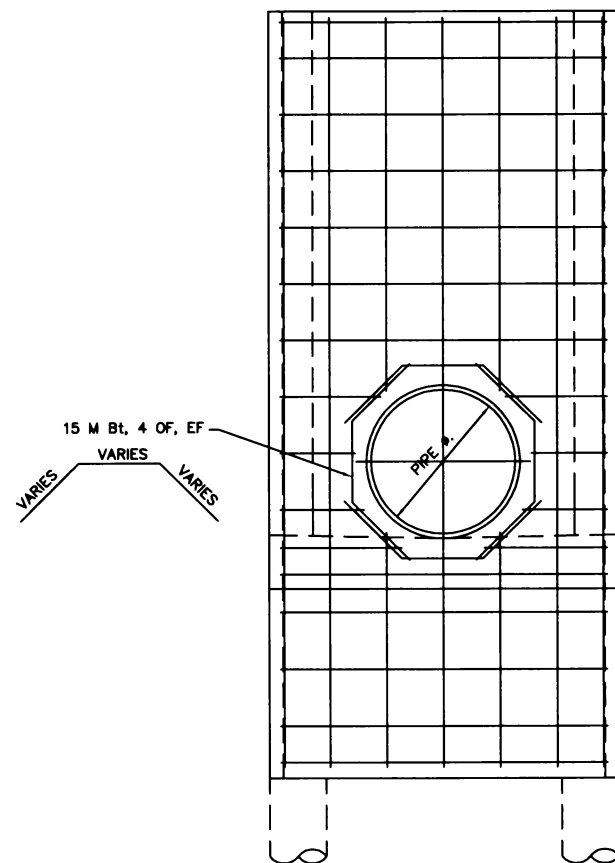
SECTION 'C'-'C'



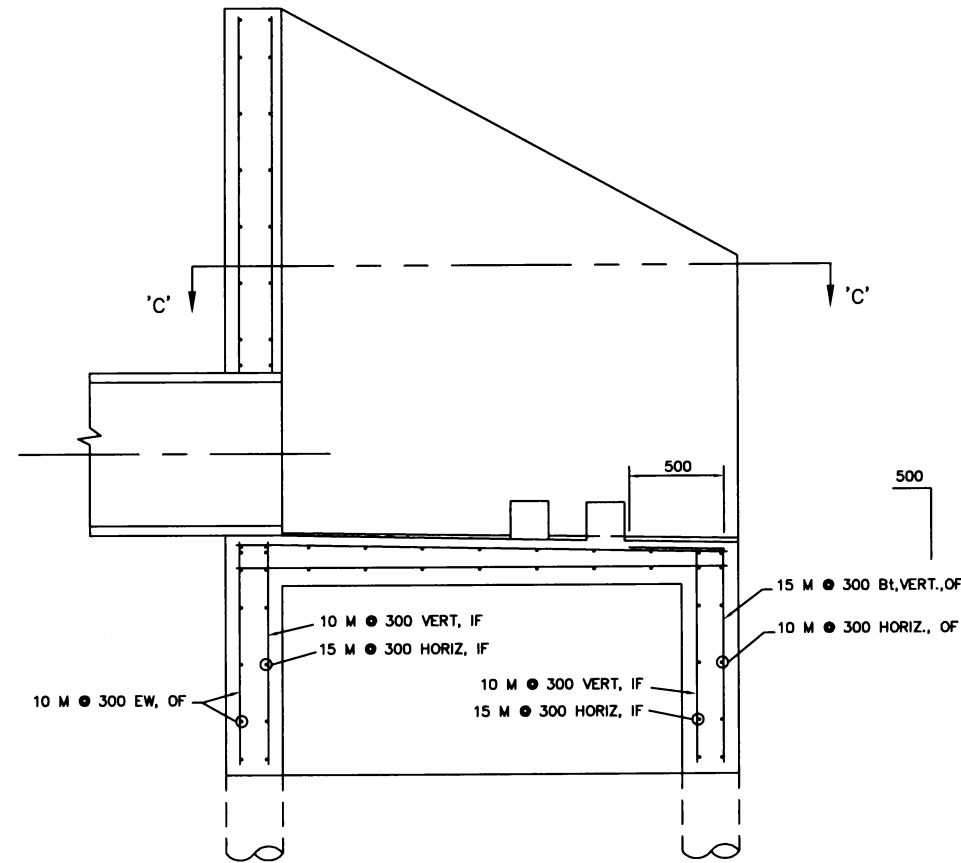
ENERGY DISSIPATION BLOCK
1:10

GENERAL NOTES

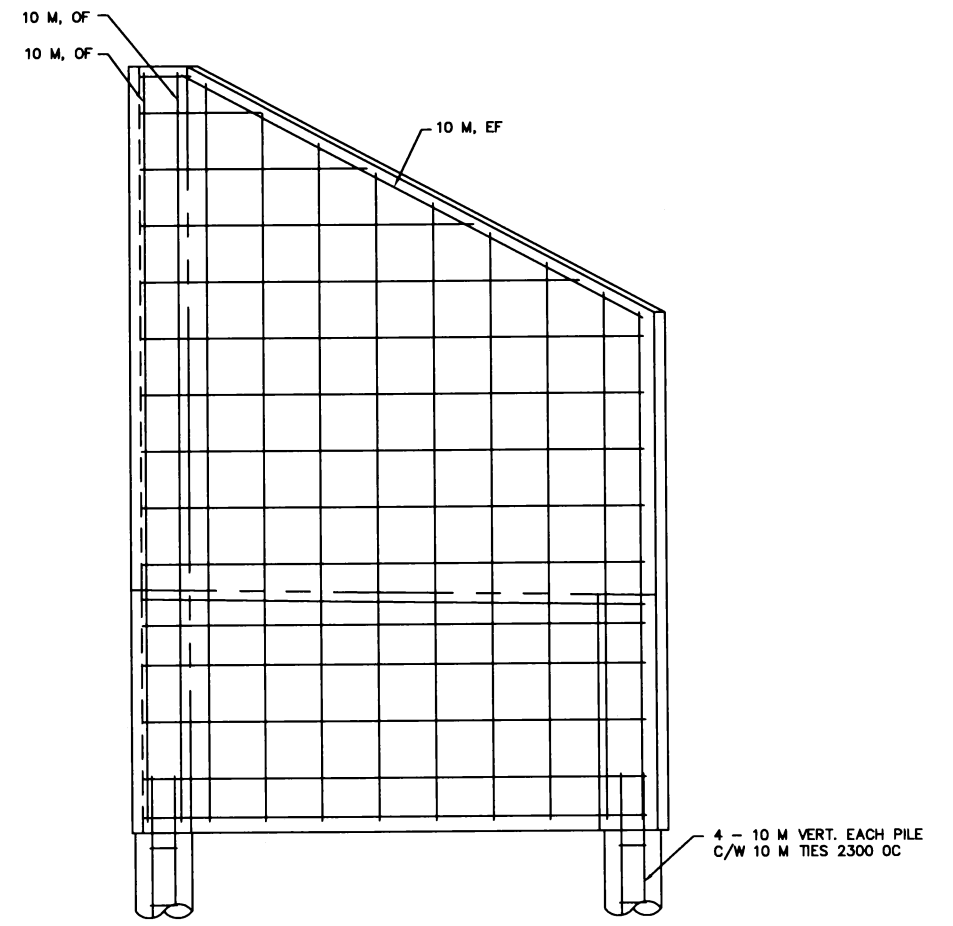
1. CONCRETE COVER FOR REINFORCING STEEL, UNLESS OTHERWISE NOTED ON DRAWING, SHALL BE
a) 75 CLEAR - FORMED CONCRETE EXPOSED TO EARTH.
b) 50 CLEAR - FORMED CONCRETE EXPOSED TO WATER OR WEATHER.
2. SULPHATE RESISTANT CONCRETE TO BE USED (30 MPa IN 28 DAYS) MAX. 19mm AGGREGATE.
3. ALL EXPOSED EDGES OF WALLS TO BE CHAMFERED.
4. USE DEFORMED BARS, $f_y = 400\text{MPa}$.
5. ALL FORMED SURFACES TO BE IN CONTACT WITH EARTH BACKFILL SHALL BE COVERED WITH TWO COATS OF EMULSIFIED ASPHALT WATERPROOFING.
6. CUT OR SPLAY REINFORCING STEEL AS REQUIRED FOR PIPE CLEARANCE.
7. BENDS IN REINFORCING STEEL SHALL CONFORM TO STANDARD BENDING DETAILS IN A.C.I. "351 - 80"
8. SPLICES OF REINFORCEMENT SHALL BE MADE ONLY AS REQUIRED OR PERMITTED ON DESIGN DWGS., IN SPECIFICATION OR AS AUTHORIZED BY THE DESIGN ENGINEER.
9. FOOTINGS TO REST ON UNDISTURBED SOIL.



REAR WALL REINFORCEMENT



SECTION A - A



SIDE WALL REINFORCEMENT

ALL DIMENSIONS IN MILLIMETRES UNLESS OTHERWISE NOTED

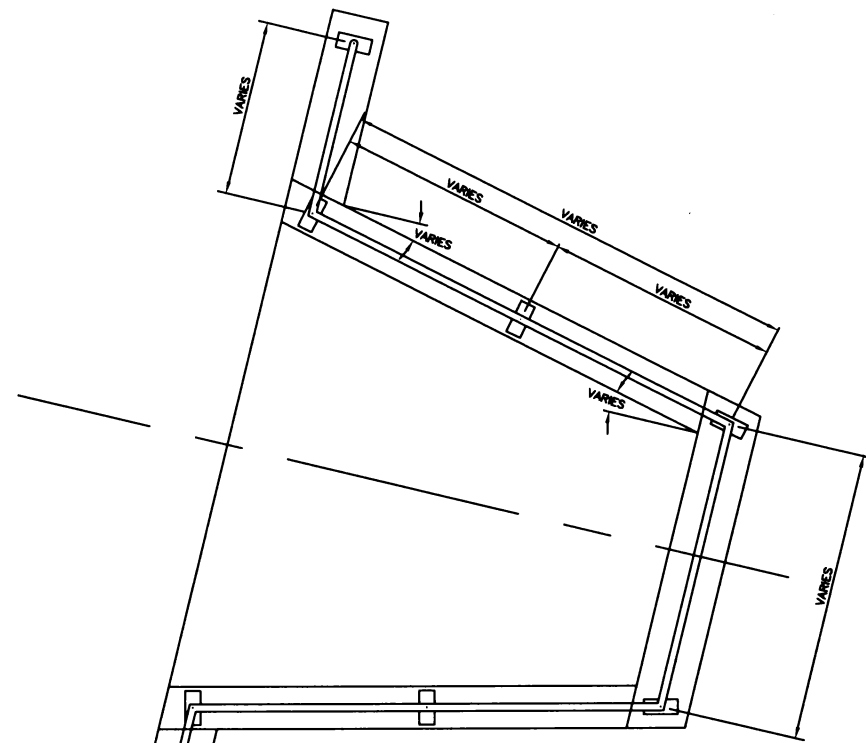
11						
10						
9						
8						
7						
6						
5						
4						
3						
2						
1	BASE PLAN	JMH	06-01-25			
	DESCRIPTION	DATE	NO.	REVISIONS	DATE	BY

STAMP		MUNICIPAL ENGINEERING		PUBLIC WORKS	
		<i>A. Boyle</i>			
ENGINEER		ENGINEER		ENGINEER	
ENGINEER		ENGINEER		ENGINEER	
DRAWN BY _____		DRAWN BY _____		DRAWN BY _____	
DATE _____		DATE _____		DATE _____	
CHECKED BY _____		CHECKED BY _____		CHECKED BY _____	
DATE _____		DATE _____		DATE _____	

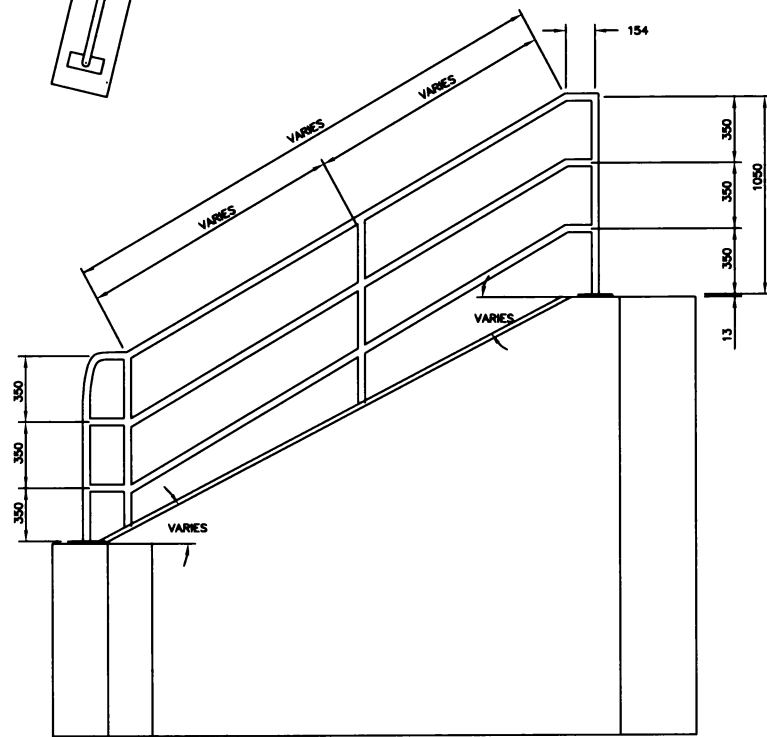


STORM SEWER OUTFALL
REINFORCEMENT DETAILS

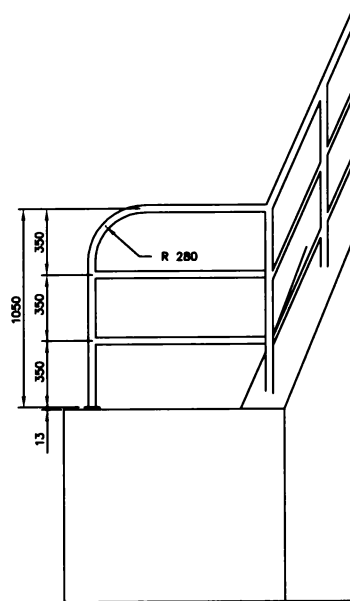
<i>[Signature]</i>	
GENERAL MANAGER	DATE
SCALE: 1:20	SHEET NO.
VERT. _____	
PLAN NO. 102-0018-006r001	



PLAN



SIDE ELEVATION



FRONT ELEVATION

NOTE:

- HANDRAIL SHALL BE 3-RAIL & 1050mm HIGH AS SHOWN ON PLAN 102-0018-003r001.

ALL DIMENSIONS IN MILLIMETRES UNLESS OTHERWISE NOTED

11					
10					
9					
8					
7					
6					
5					
4					
3					
2					
1	BASE PLAN	DT	90-08-15		
	DESCRIPTION	DATE	NO.	REVISIONS	DATE BY

STAMP	MUNICIPAL ENGINEERING	PUBLIC WORKS
	<i>A. Boyle</i>	
	ENGINEER	ENGINEER
	ENGINEER	ENGINEER
DRAWN BY _____	DRAWN BY _____	DRAWN BY _____
DATE _____	DATE _____	DATE _____
CHECKED BY _____	CHECKED BY _____	CHECKED BY _____
DATE _____	DATE _____	DATE _____



HANDRAIL DETAILS

<i>[Signature]</i>	
GENERAL MANAGER	DATE
SCALES : HOR. 1:20 VERT. -	SHEET NO.
PLAN NO. 102-0018-007r001	

NOTES:

1. MAXIMUM DRIVEWAYS WIDTHS SHALL BE THE LESSER OF:
 - a. RESIDENTIAL = 6.1m
 - b. COMMERCIAL = 10.7m
 - c. INDUSTRIAL = 12.2m

OR

ONE-THIRD OF PROPERTY FRONTAGE OR FLANKAGE.

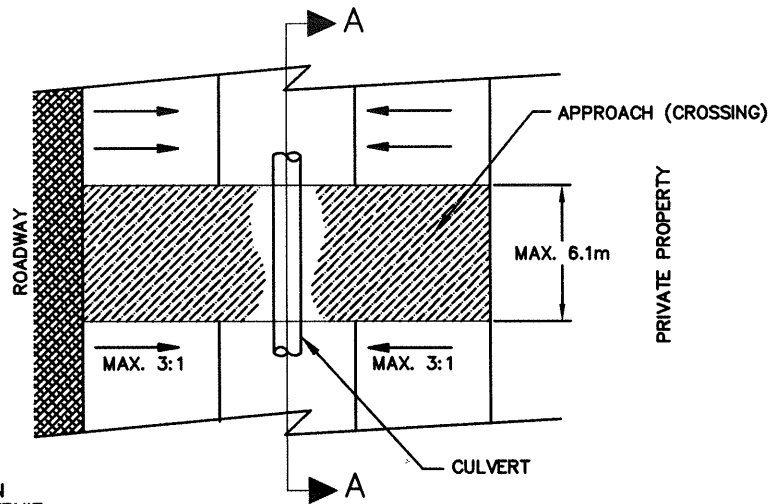
2. MINIMUM CULVERT SIZES SHALL BE AS BELOW:

- a. RESIDENTIAL = 300mm
- b. COMMERCIAL/ INDUSTRIAL = 450mm

3. ANY ALTERNATE CULVERT SIZE AND MINIMUM COVER SHALL BE REVIEWED AND APPROVED BY T&U DEPARTMENT.

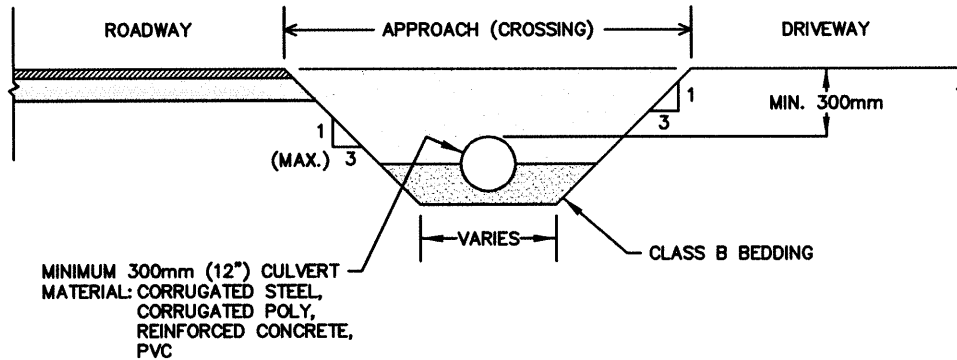
4. ALL DRIVEWAYS REQUIRE APPLICATION FOR PRIVATE DRIVEWAY CROSSING PERMIT.

PLAN VIEW



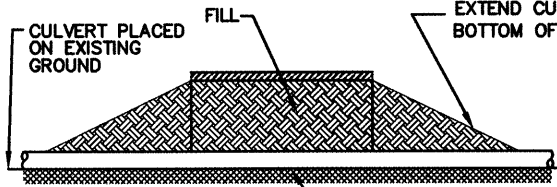
CITY OF SASKATOON
RIGHT-OF-WAY

PRIVATE
PROPERTY



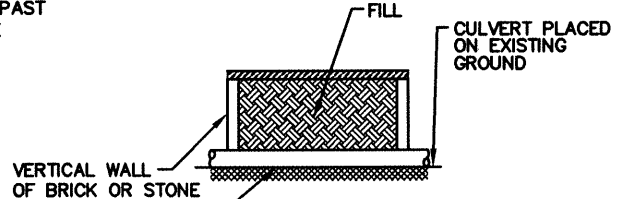
SECTION A-A

OPTION 1



SLOPE SIDES AT 3:1 &
EXTEND CULVERT PAST
BOTTOM OF SLOPE

OPTION 2



VERTICAL WALL
OF BRICK OR STONE

CULVERT
(PREFERRED MIN. 0.5% SLOPE)

NOTE:

IF DRIVEWAY CROSSINGS ARE IN CLOSE PROXIMITY THAT DOES NOT ALLOW 3:1 SIDE SLOPE, OPTION 2 (VERTICAL SIDE WALL) SHALL BE USED.

REVISIONS

1	DIMENSIONS CHANGE, NOTES ADDED EDH 2018-03-05
2	
3	
4	



**City of
Saskatoon**

Transportation & Utilities Department

ENGINEER

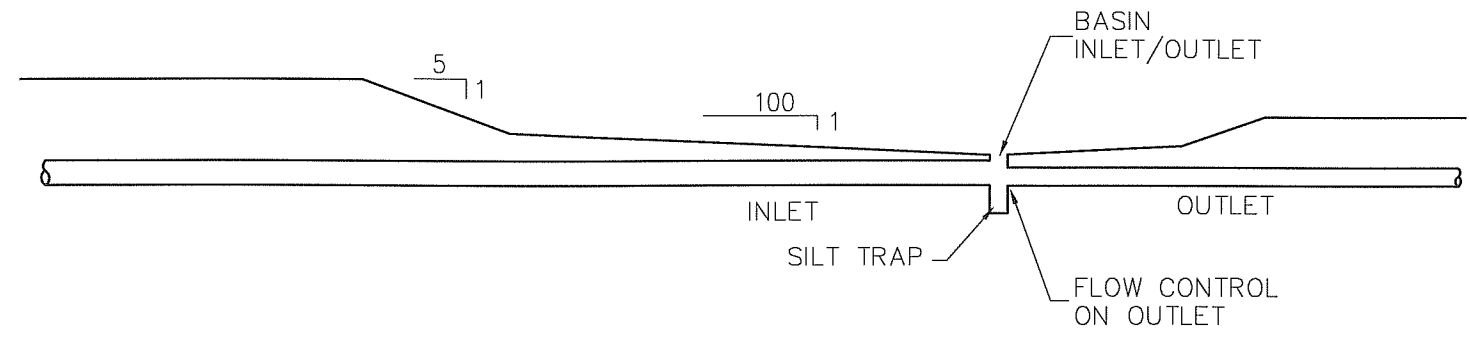
ENGINEER

**STANDARD DITCH CROSSING
CULVERT REQUIREMENTS**

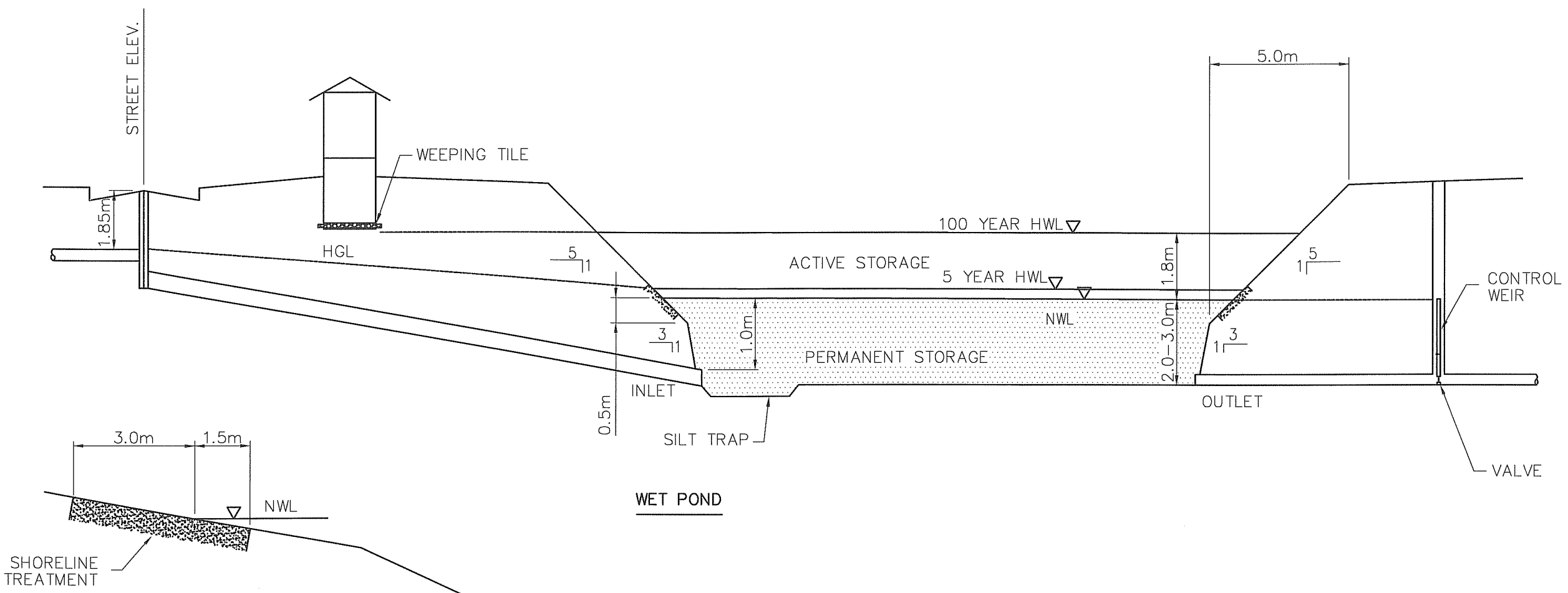
PLAN NO. 102-0018-009r002

DRAWN BY MRH
DATE 2000-07-26

SCALES : HOR. NTS VERT. _____



DRY POND



WET POND

11			
10			
9			
8			
7			
6			
5			
4			
3			
2			
1			
PLAN DESCRIPTION/REVISION	DATE	BY	

CONSTRUCTION & DESIGN	TRANSPORTATION	PUBLIC WORKS
ENGINEER <i>[Signature]</i> 12/07/12	ENGINEER	ENGINEER
DATE	DATE	DATE
DRAWN BY C.P.	DATE 2012-APRIL-21	CHECKED BY



STORMWATER STORAGE BASIN
TYPICAL CROSS SECTIONS

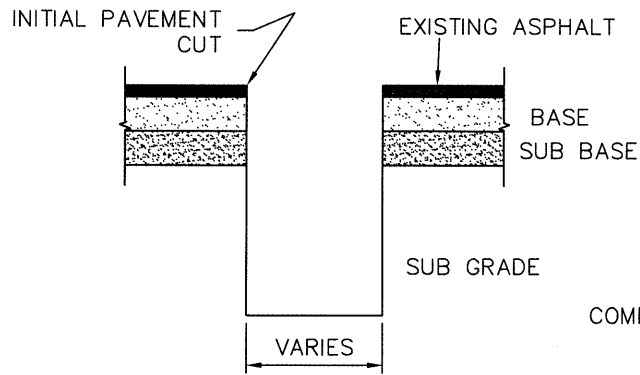
GENERAL MANAGER
[Signature]
DATE: APR 12/12

SCALES:
HOR: 1:150
VERT: _____

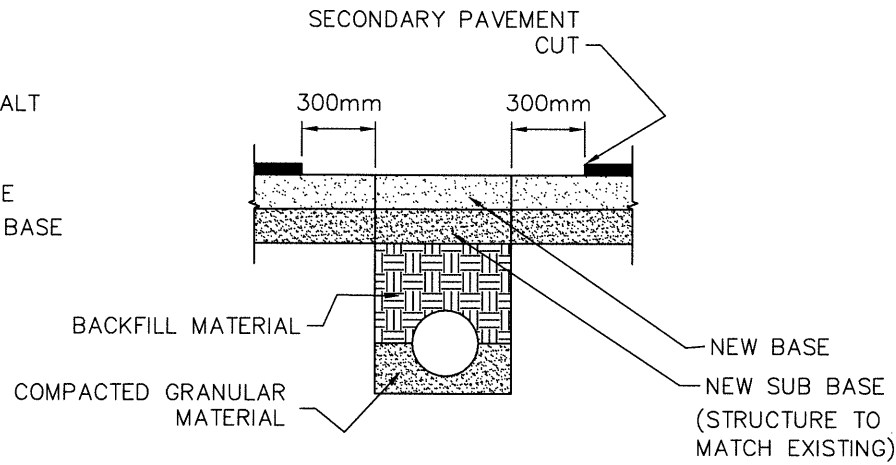
SHEET NO. _____ PLAN NO. 102-0018-010r001

**VERTICAL-WALLED
TRENCH**

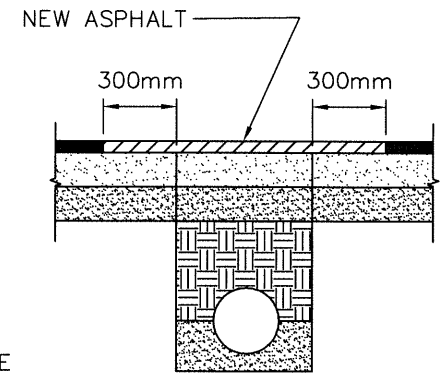
STEP 1



STEP 2



STEP 3


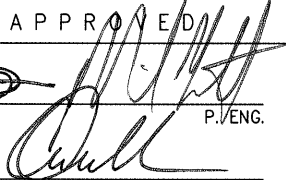


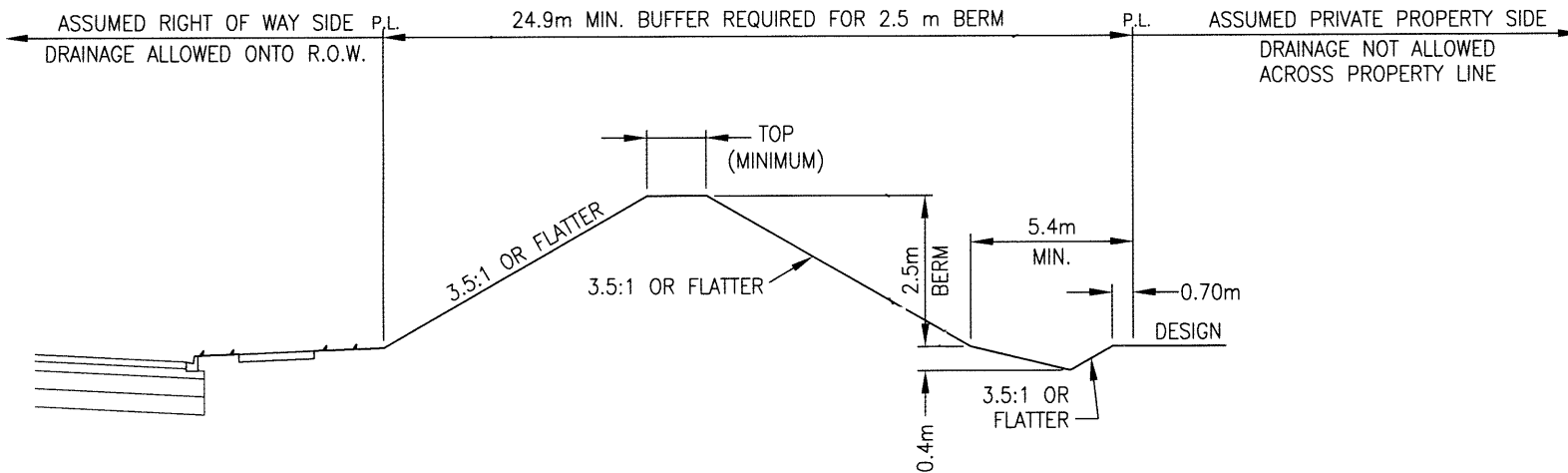
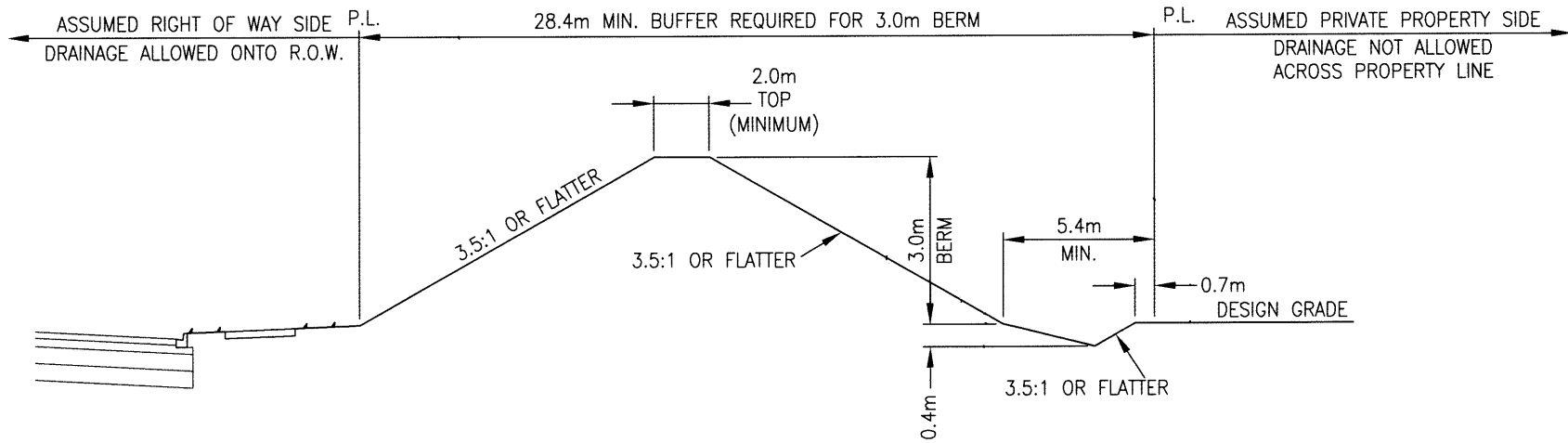
DRAWN BY _____
DATE 06/19/00
CHECKED BY _____
DATE _____

REVISIONS	
1	MATCH EXISTING STRUCTURE NOTE 15-DEC-2014 HLO
2	
3	



KEYING OF TRENCH

APPROVED	
 ENGINEER	 P. ENG.
ENGINEER	
SCALES : HOR. <u>NTS</u> VERT. _____	
PLAN NO. 102-0019-001r002	



NOTE:
 THESE ARE FOR EXAMPLE ONLY;
 CALCULATE THE BUFFER REQUIREMENT BASED
 ON THE DESIRED BERM HEIGHT

PLAN DESCRIPTION/REVISIONS	
4	
3	
2	CHANGED BUFFER WIDTH JVS 2014 JUN 25
1	INCREASED BUFFER WIDTH JAB 2013 DEC 18
DRAWN BY MRH	
DATE 2009 MAR 30	
SCALE : HOR. 1:250 VERT. 1:125	



TYPICAL BERM
 REQUIREMENT

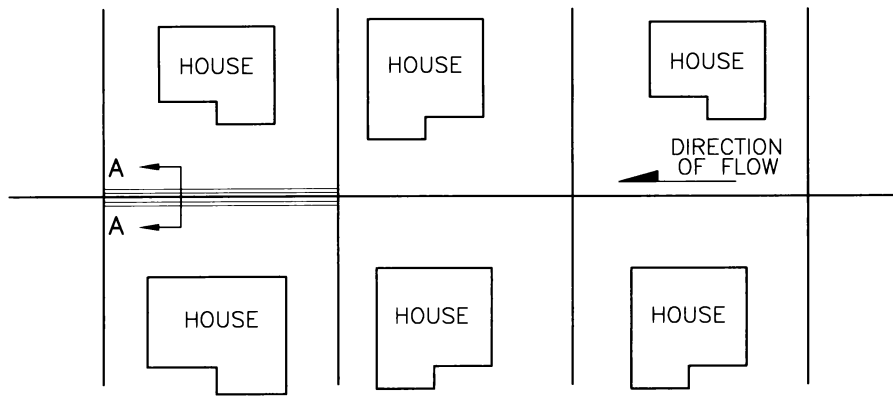
APPROVED

[Signature]
 CHIEF ENGINEER

[Signature]
 ENGINEER

ENGINEER

PLAN NO. 102-0021-001r003

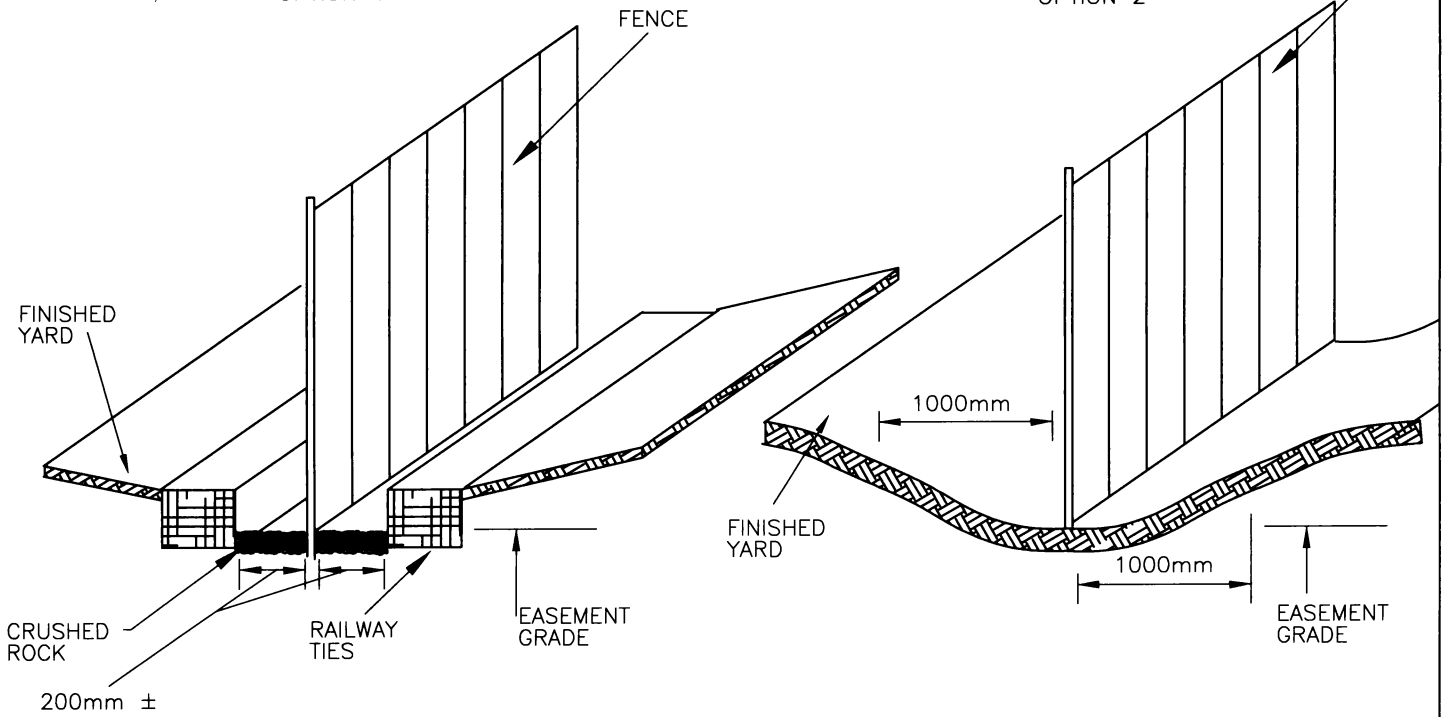


SECTION A-A

OPTION 1

SECTION A-A

OPTION 2

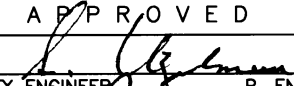



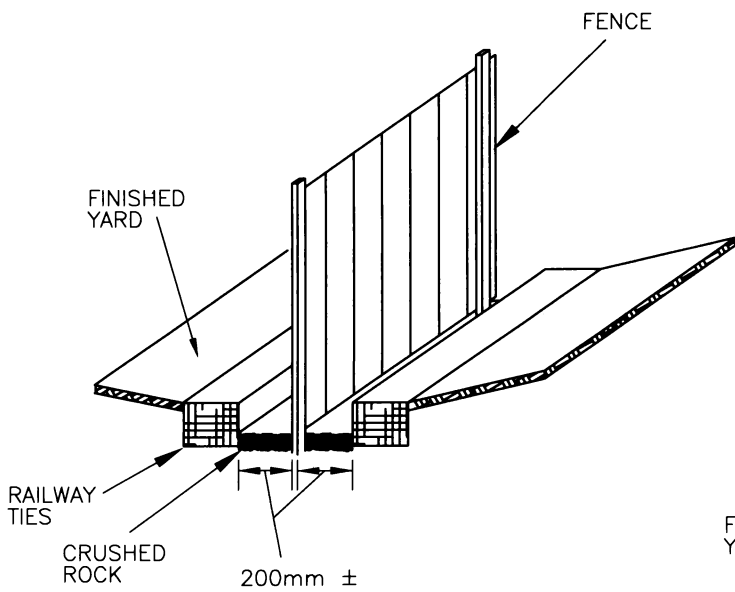
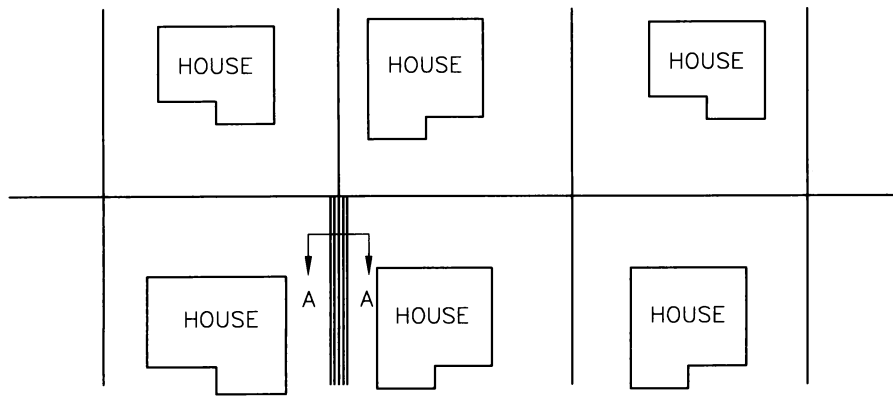
NOTE: REAR LOT GRADES ARE DESIGNED TO FLOW ALONG THE FENCE LINE, SEE LOT GRADE "PREGRADES" AND DIRECTION OF FLOW.

REVISIONS	
1	
2	
3	
DRAWN BY <u>RPL/MRH</u>	
DATE <u>03/07/96</u>	
CHECKED BY _____	
DATE _____	

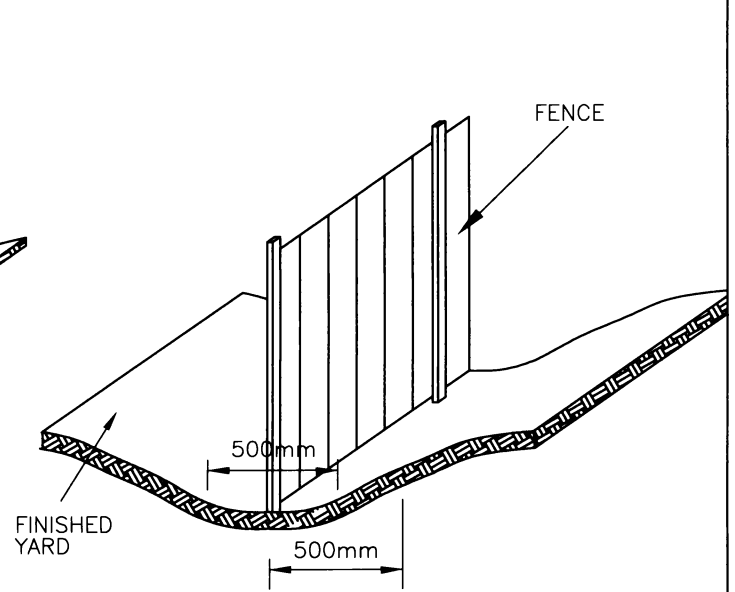
CITY OF SASKATOON
INFRASTRUCTURE SERVICES DEPARTMENT

EASEMENT GRADING
BACK YARD

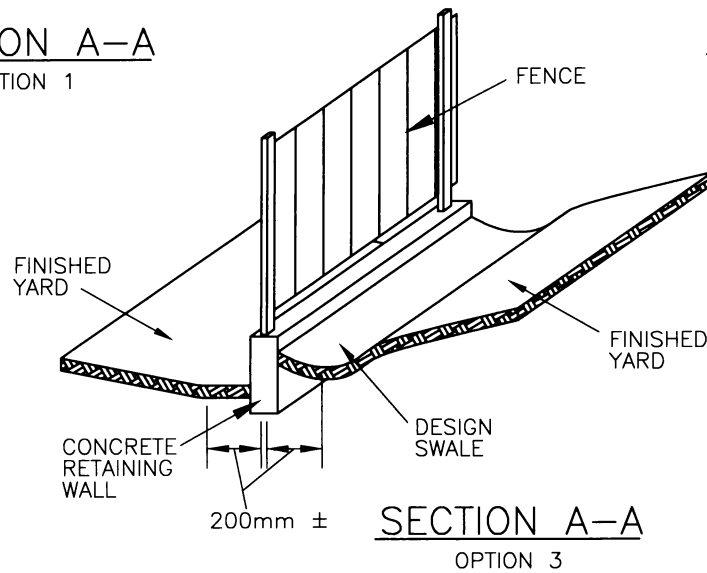
APPROVED	
	P. ENG.
<u>A. Boyle</u>	ENGINEER
	ENGINEER
SCALES : HOR. <u>N.T.S.</u> VERT. <u>N.T.S.</u>	
PLAN NO. 102-0022-003r001	



SECTION A-A
OPTION 1



SECTION A-A
OPTION 2

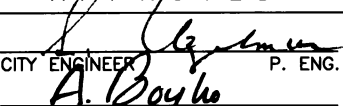
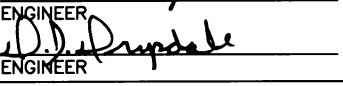


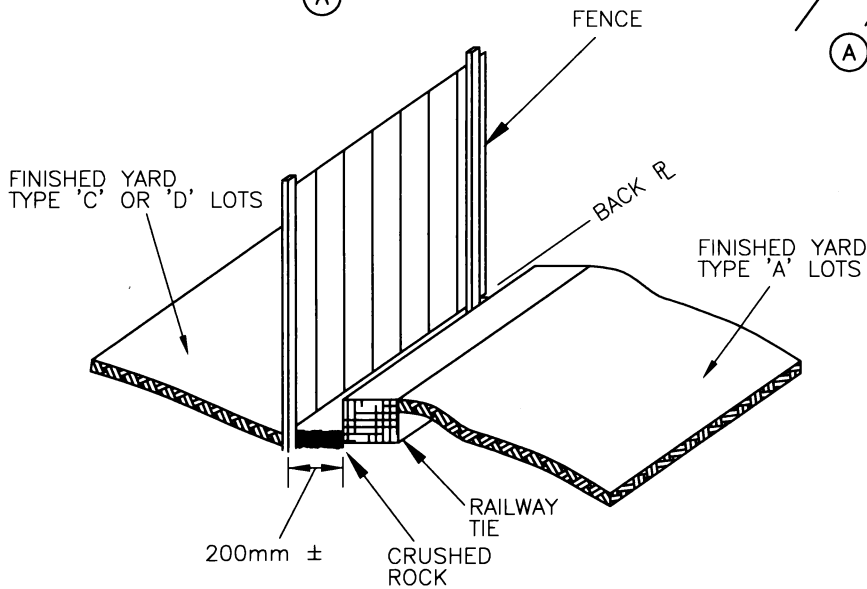
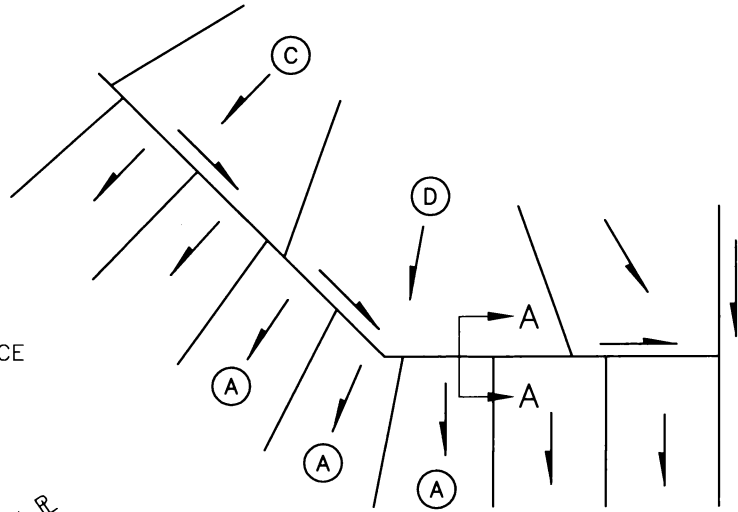
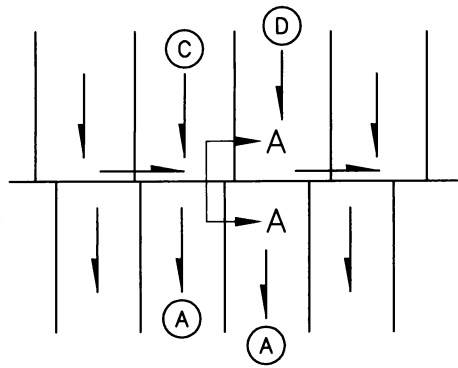
SECTION A-A
OPTION 3

REVISIONS	
1	OPTION 3 - 05/05/00
2	
3	
DRAWN BY <u>MRH</u>	
DATE <u>25/09/96</u>	
CHECKED BY _____	
DATE _____	

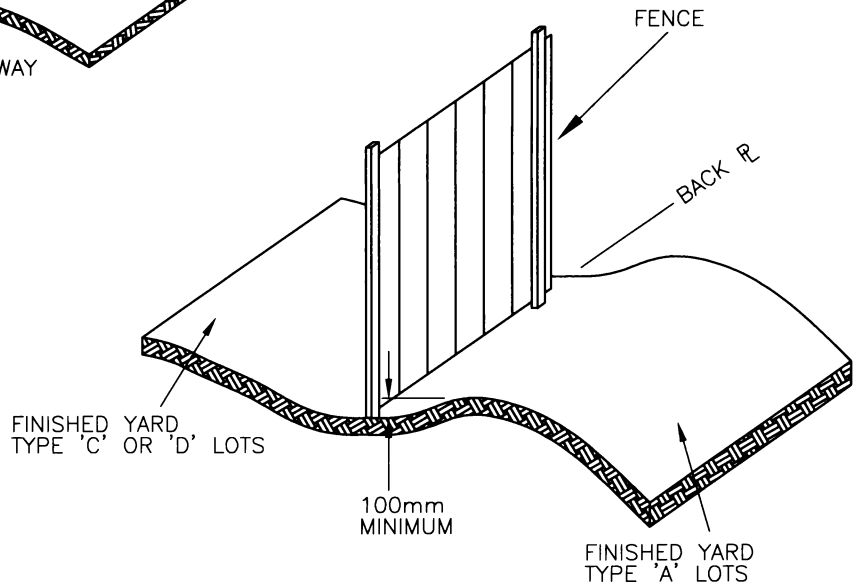
CITY OF SASKATOON
INFRASTRUCTURE SERVICES DEPARTMENT

EASEMENT GRADING
SIDE YARD GRADING

APPROVED	
	CITY ENGINEER P. ENG.
	ENGINEER
SCALES : HOR. <u>N.T.S.</u> VERT. <u>N.T.S.</u>	
PLAN NO. 102-0022-004r001	



SECTION A-A
OPTION 1



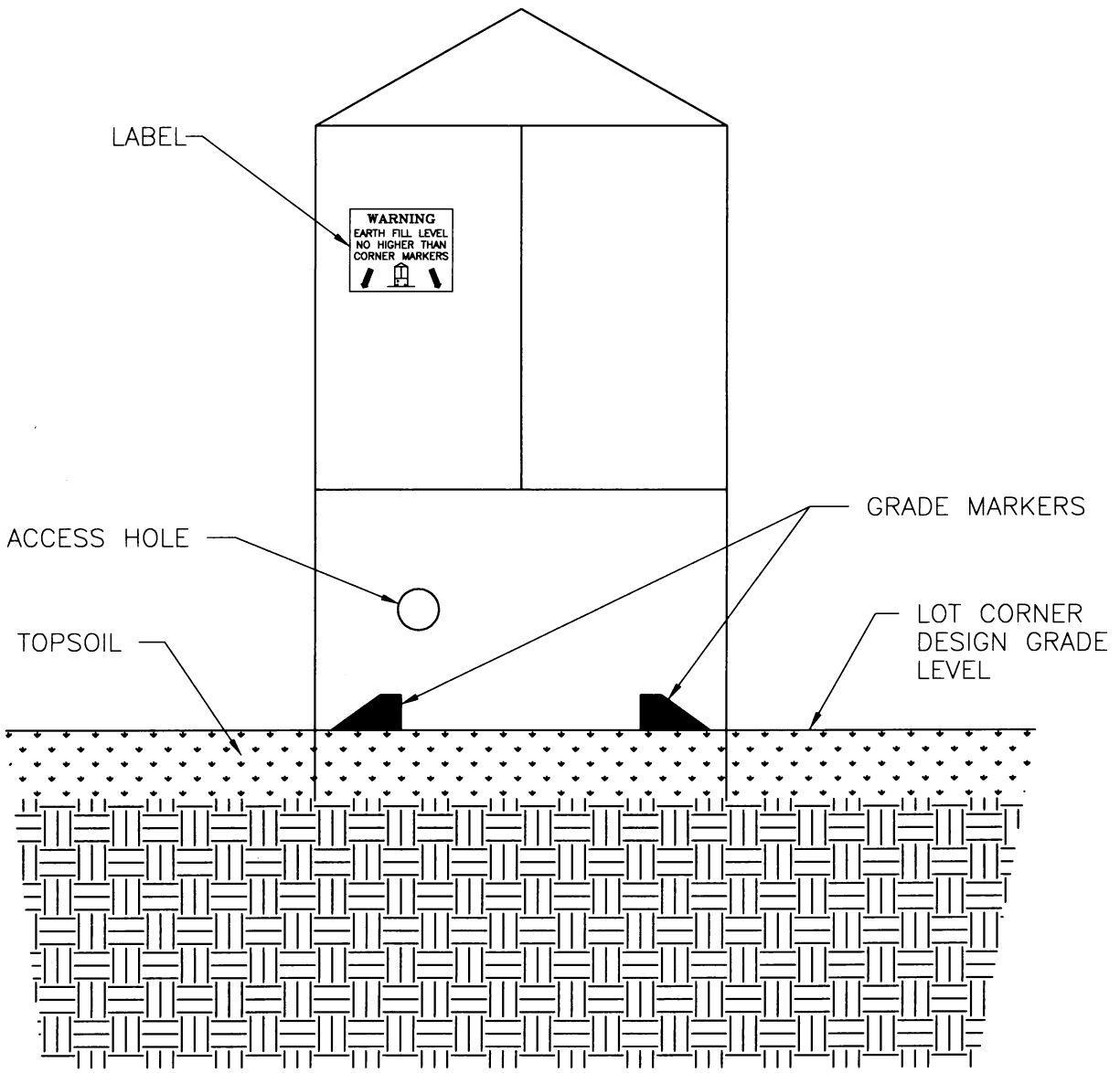
SECTION A-A
OPTION 2

THE PURPOSE OF THIS DRAINAGE SWALE IS TO ENSURE THAT DRAINAGE FROM THE BACK OF THE TYPE 'C' AND 'D' LOTS DOES NOT ENTER THE TYPE 'A' LOTS ON THE OTHER SIDE OF THE EASEMENT.

THE UTILITY KIOSKS LOCATED ALONG THE UTILITY EASEMENTS WILL HAVE THE ELEVATION MARKED TO SHOW THE FINAL GRADE AT THE BACK PROPERTY LINE.

THIS WOULD APPLY TO THE BACK OF ALL TYPE 'A' LOTS.

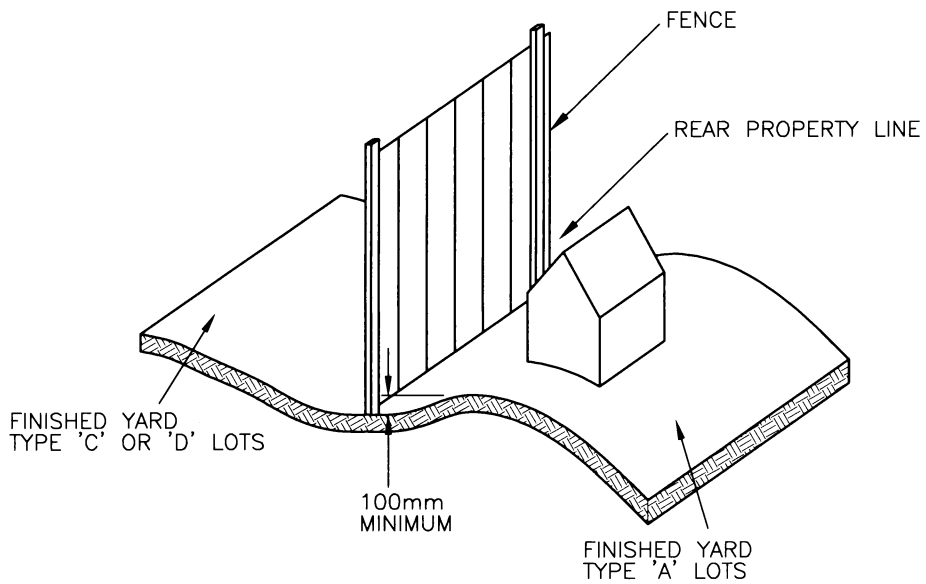
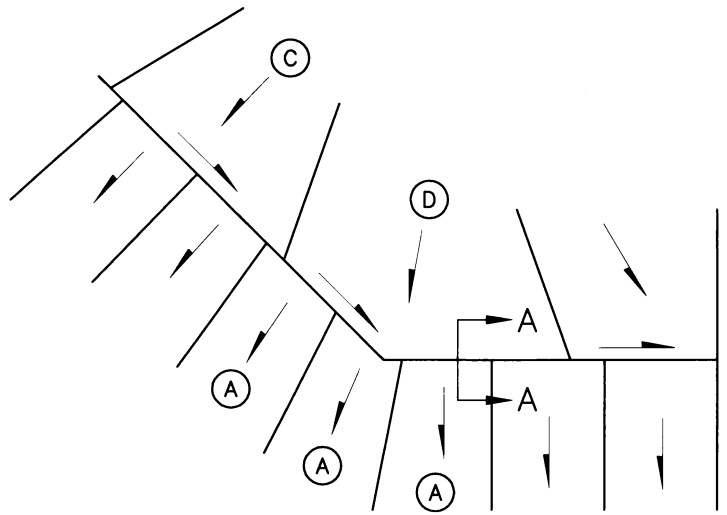
REVISIONS		CITY OF SASKATOON INFRASTRUCTURE SERVICES DEPARTMENT	APPROVED	
1			<i>[Signature]</i> CITY ENGINEER	<i>[Signature]</i> P. ENG.
2			<i>A. Boyle</i> ENGINEER	
3		<i>[Signature]</i> ENGINEER		
DRAWN BY <u>MRH</u>		DRAINAGE SWALE BACK OF LOT, 1 OF 2		SCALES : HOR. <u>N.T.S.</u> VERT. <u>N.T.S.</u>
DATE <u>13/06/02</u>				PLAN NO. 102-0022-005r001
CHECKED BY _____ DATE _____				



NOTE:

1. LABEL TWO SIDES FACING HOUSES.
2. PLACE GRADE MARKERS ON ALL FOUR SIDES NEAR CORNERS.

REVISIONS		CITY OF SASKATOON INFRASTRUCTURE SERVICES DEPARTMENT	APPROVED	
1			 CITY ENGINEER P. ENG. A. Boyle	
2			ENGINEER D. Drupdale	
3		ENGINEER		
DRAWN BY <u>G. HRYCAK</u> DATE <u>10/10/96</u>		GRADE MARKERS ELECTRICAL KIOSK		SCALES : HOR. <u>N.T.S.</u> VERT. <u>N.T.S.</u>
CHECKED BY _____ DATE _____		PLAN NO. 102-0022-006r001		



SECTION A-A

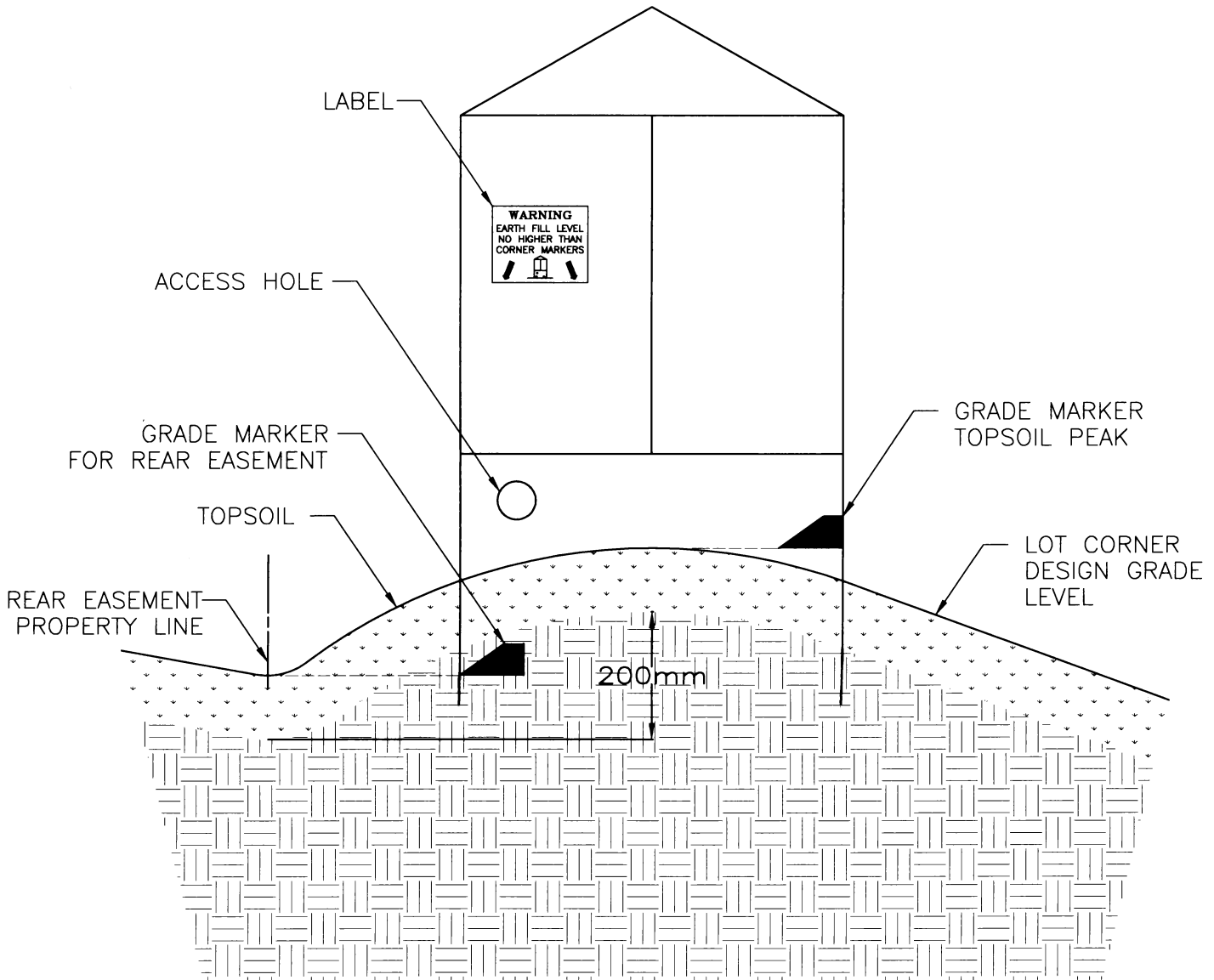
OPTION 3

THE PURPOSE OF THIS DRAINAGE SWALE IS TO ENSURE THAT DRAINAGE FROM THE BACK OF THE TYPE 'C' AND 'D' LOTS DOES NOT ENTER THE TYPE 'A' LOTS ON THE OTHER SIDE OF THE EASEMENT.

THE UTILITY KIOSKS LOCATED ALONG THE UTILITY EASEMENTS WILL HAVE THE ELEVATION MARKED TO SHOW THE FINAL GRADE AT THE BACK PROPERTY LINE.

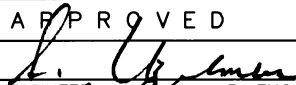

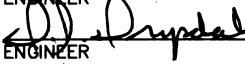
THIS WOULD APPLY TO THE BACK OF ALL TYPE 'A' LOTS.

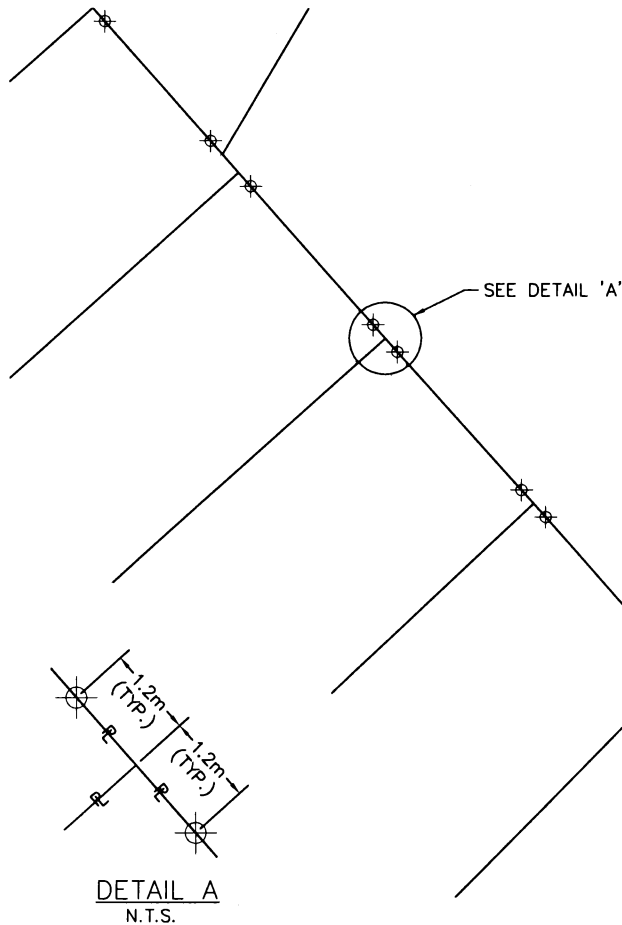
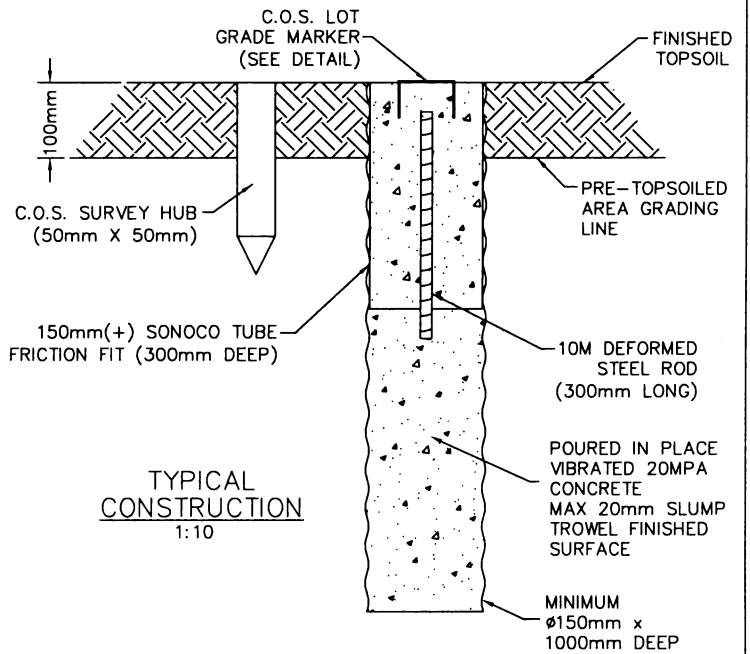
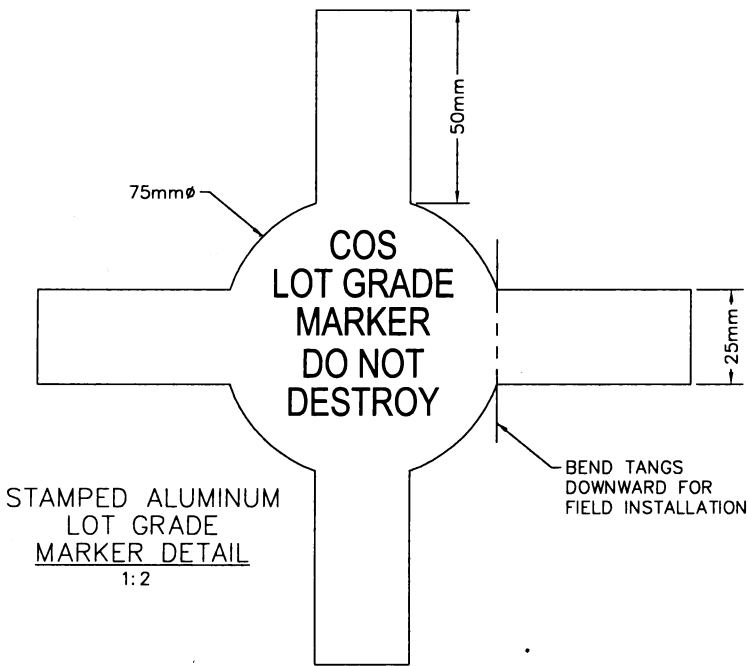
<p>REVISIONS</p> <table border="1"> <tr><td>1</td><td></td></tr> <tr><td>2</td><td></td></tr> <tr><td>3</td><td></td></tr> </table>		1		2		3		<p>CITY OF SASKATOON INFRASTRUCTURE SERVICES DEPARTMENT</p>	<p>APPROVED</p>	
1										
2										
3										
<p>DRAWN BY <u>C. CARTER</u> DATE <u>23/07/02</u></p>		<p>CITY ENGINEER <u>A. Boyle</u> P. ENG. ENGINEER <u>D.D. Drysdale</u> ENGINEER</p>								
<p>CHECKED BY _____ DATE _____</p>		<p>DRAINAGE SWALE BACK OF LOT, 2 OF 2</p>		<p>SCALES : HOR. <u>N.T.S.</u> VERT. <u>N.T.S.</u></p>						
				<p>PLAN NO. 102-0022-007r001</p>						



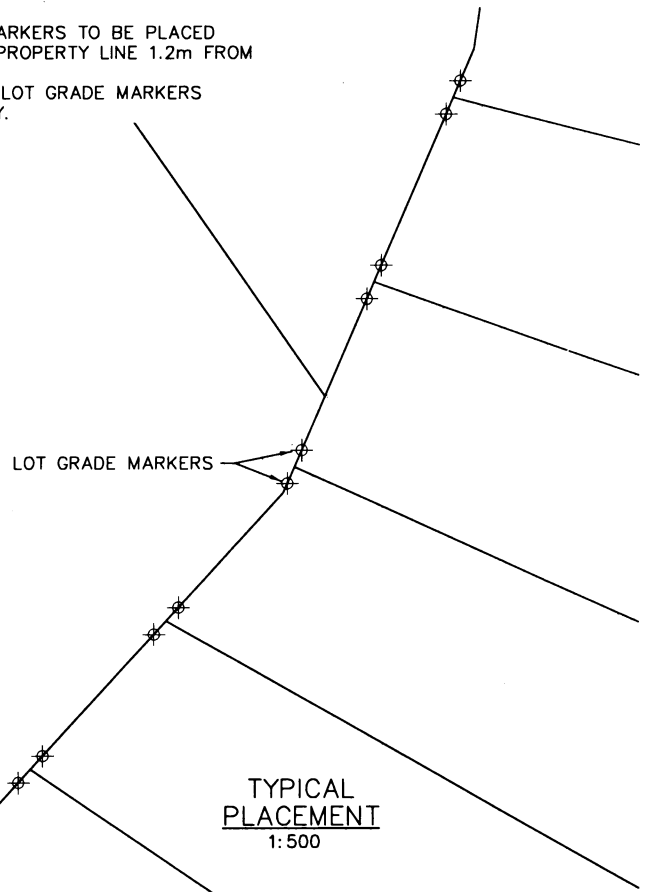
NOTE:

1. LABEL TWO SIDES FACING HOUSES.
2. PLACE GRADE MARKERS ON ALL FOUR SIDES NEAR CORNERS.

REVISIONS		CITY OF SASKATOON INFRASTRUCTURE SERVICES DEPARTMENT	APPROVED	
1			 CITY ENGINEER P. ENG.	
2			 ENGINEER	
3		GRADE MARKERS ELECTRICAL KIOSK	 ENGINEER	
DRAWN BY <u>C. CARTER</u>			SCALES : HOR. <u>N.T.S.</u> VERT. <u>N.T.S.</u>	
DATE <u>23/07/02</u>			PLAN NO. 102-0022-008r001	
CHECKED BY _____				
DATE _____				



- TYPICAL NOTES:**
1. LOT GRADE MARKERS TO BE PLACED ALONG BACK PROPERTY LINE 1.2m FROM CORNERS.
 2. MINIMUM TWO LOT GRADE MARKERS PER PROPERTY.



REVISIONS

1	HLO	2006-01-25
2		
3		

DRAWN BY R. OTTENBREIT
DATE 2004-06-02

CHECKED BY _____
DATE _____



**City of
Saskatoon**
Infrastructure Services Department

C.O.S. LOT GRADE MARKERS
CONSTRUCTION AND PLACEMENT

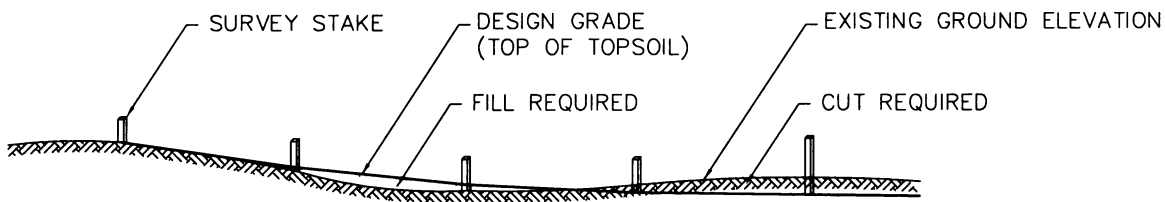
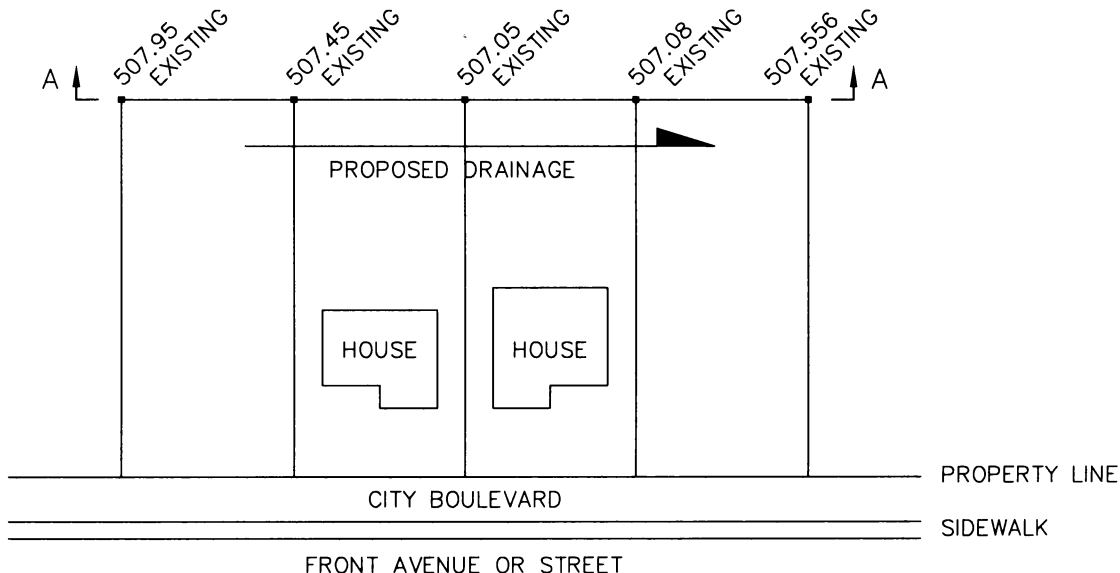
APPROVED

Mr. C. ...
GENERAL MANAGER P. ENG.
A. Boyle
ENGINEER

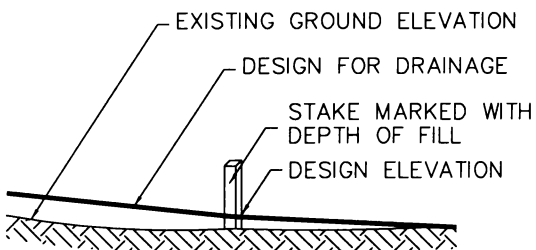
ENGINEER

SCALES :
HOR. AS NOTED

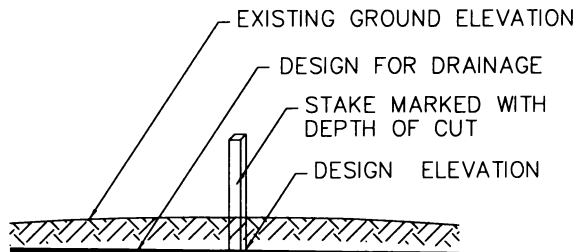
PLAN No.102-0022-009r002



PROFILE ALONG A-A
REAR LOT LINE ALONG FENCE



FILL STAKE



CUT STAKE

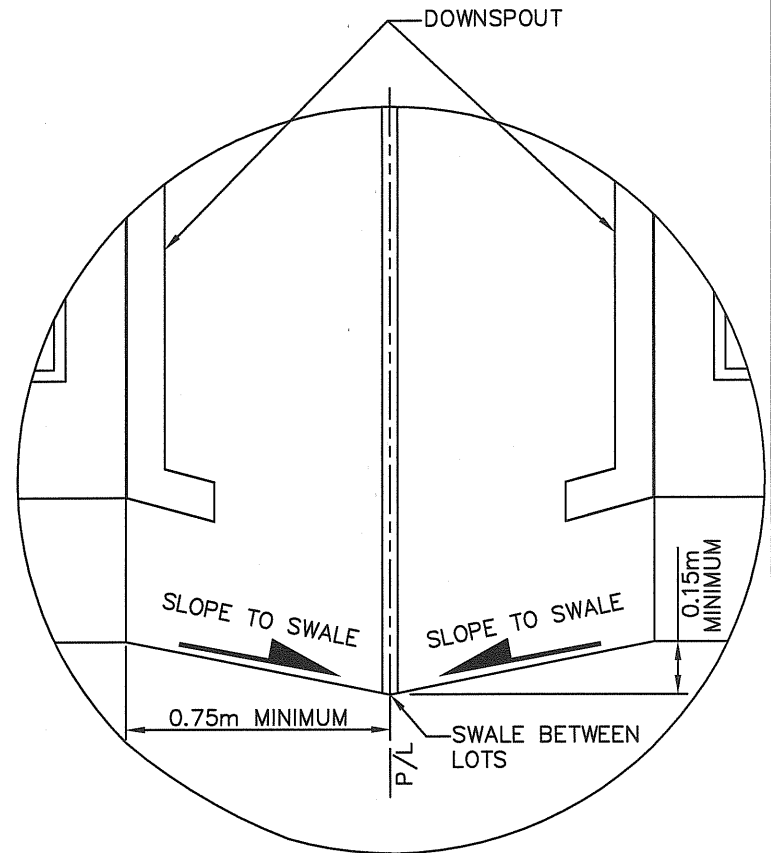
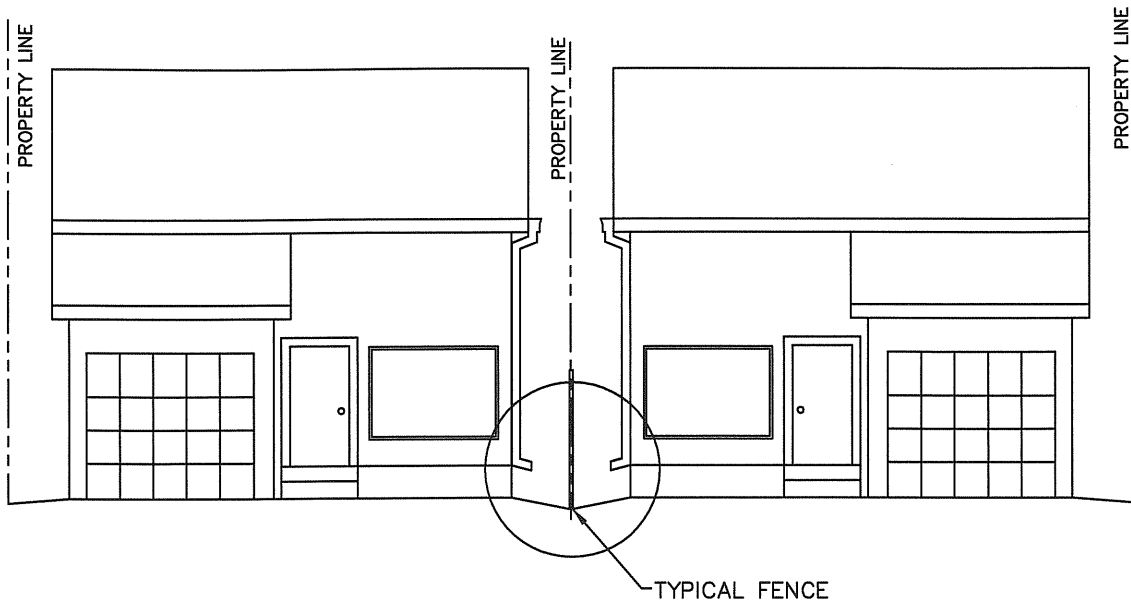
REVISIONS	
1	
2	
3	



APPROVED	
<i>A. Boyle</i>	P. ENG.
GENERAL MANAGER	
ENGINEER	
ENGINEER	
SCALES :	
HOR.	
PLAN NO.	102-0022-010r001

DRAWN BY	JMH
DATE	06-01-25
CHECKED BY	
DATE	

DRAINAGE IMPROVEMENT



NOTES:



1. 0.75m MINIMUM DISTANCE FROM FOUNDATION WALL TO PROPERTY LINE
2. MINIMUM 0.15m DROP FROM FOUNDATION WALL TO PROPERTY LINE.

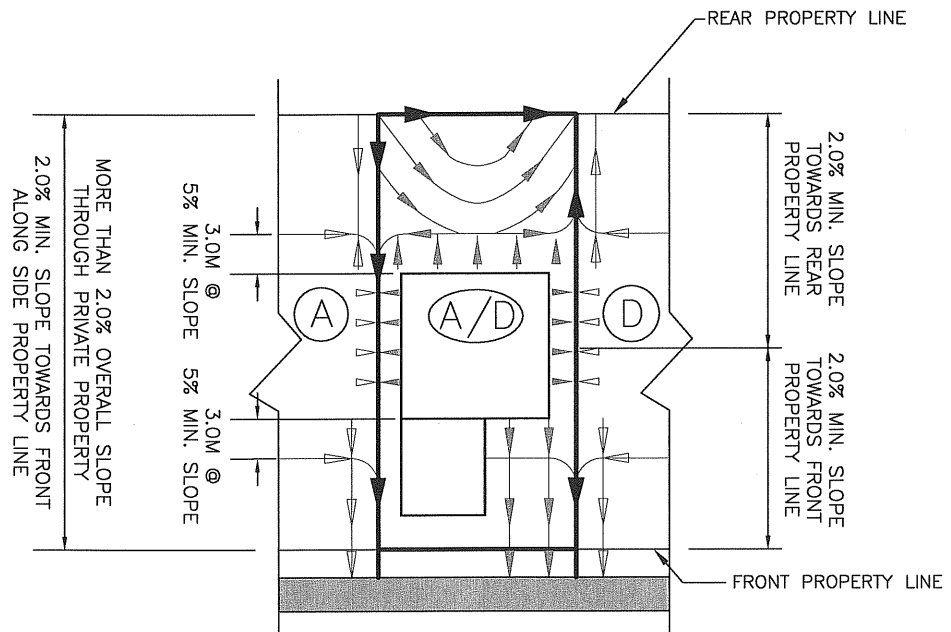
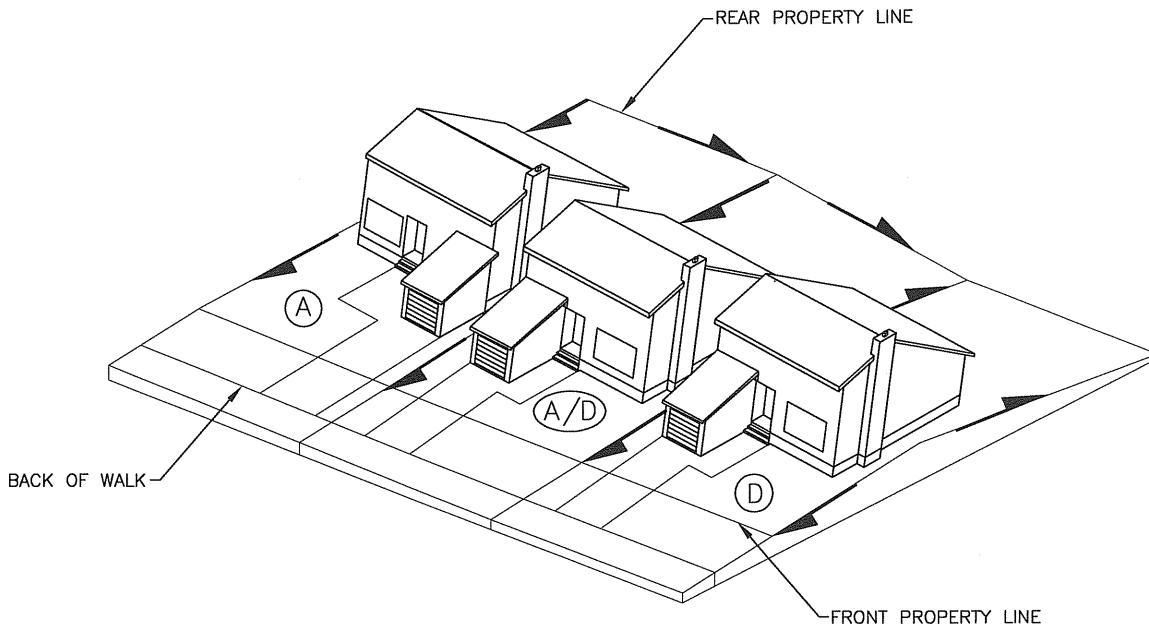
PLAN DESCRIPTION/REVISIONS	
4	
3	
2	
1	
DRAWN BY <u>LMD</u>	
DATE <u>2010-AUG-18</u>	
SCALE : HOR. <u>N.T.S.</u> VERT. <u>N.T.S.</u>	



**City of
Saskatoon**
Infrastructure Services Department

SIDE YARD
DRAINAGE SWALE

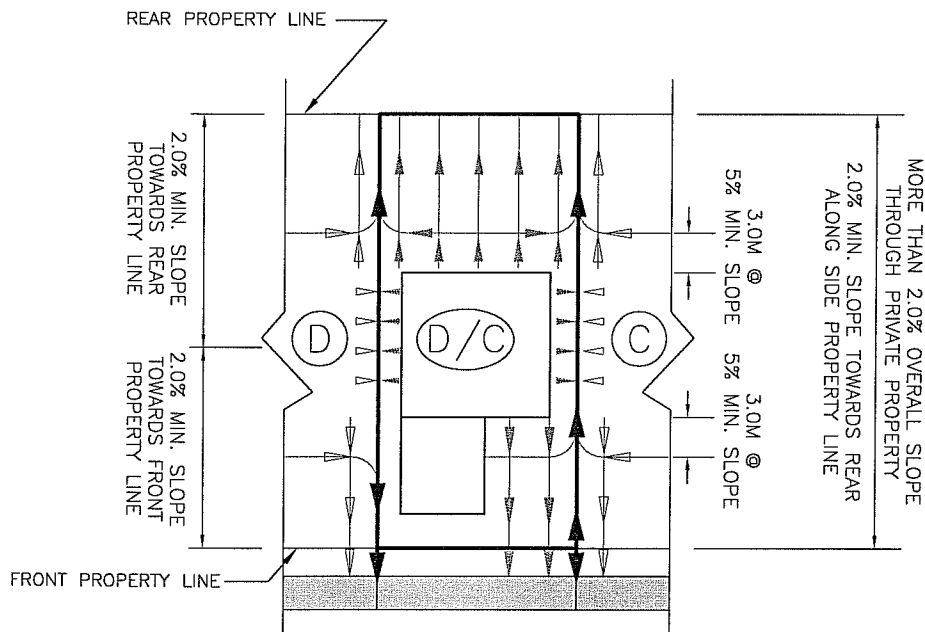
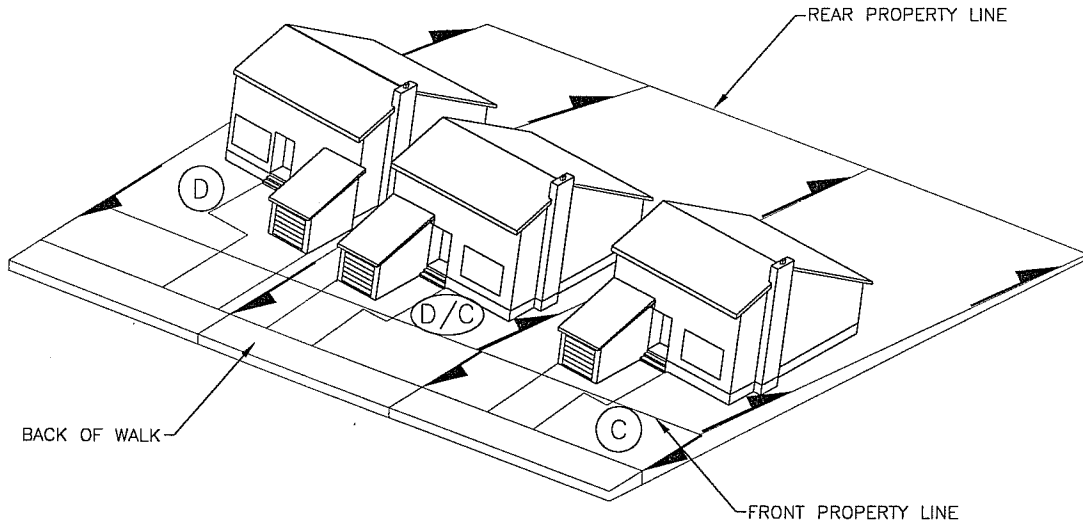
APPROVED
 GENERAL MANAGER
 ENGINEER
PLAN NO. 102-0022-012r001



NOTE: 1) SIDE YARD 3.0M @ 5.0% MIN. SLOPE OR MIN. 0.15M DROP FROM WALL TO PROPERTY LINE
 2) LOT TYPE D/A IS REVERSE OF LOT TYPE A/D


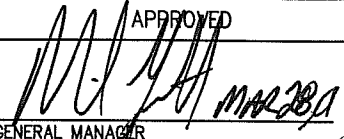

PLAN VIEW
TRANSITION LOT TYPE A/D

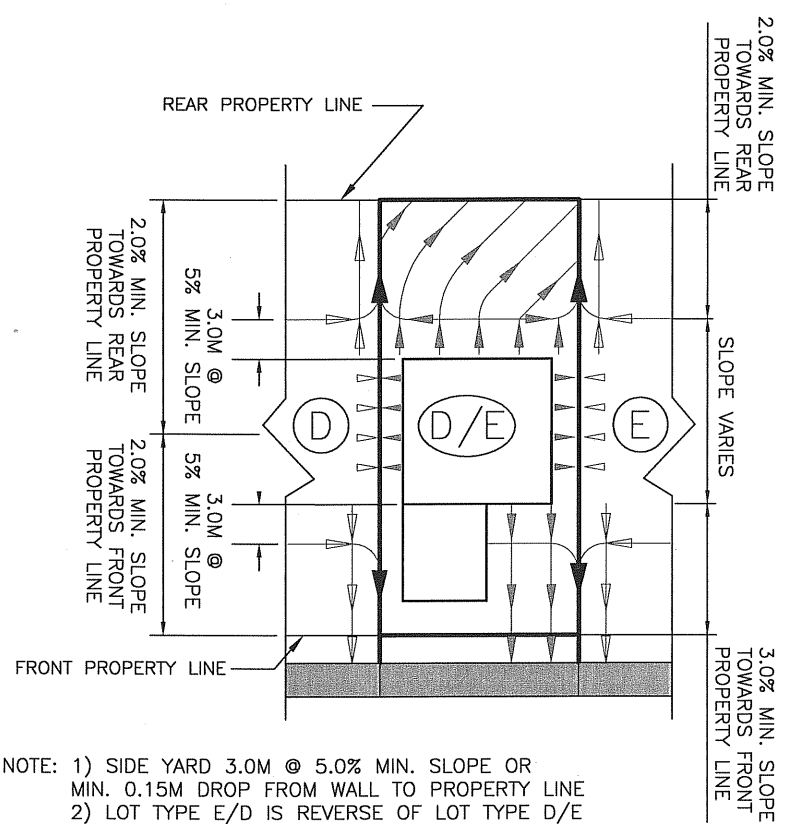
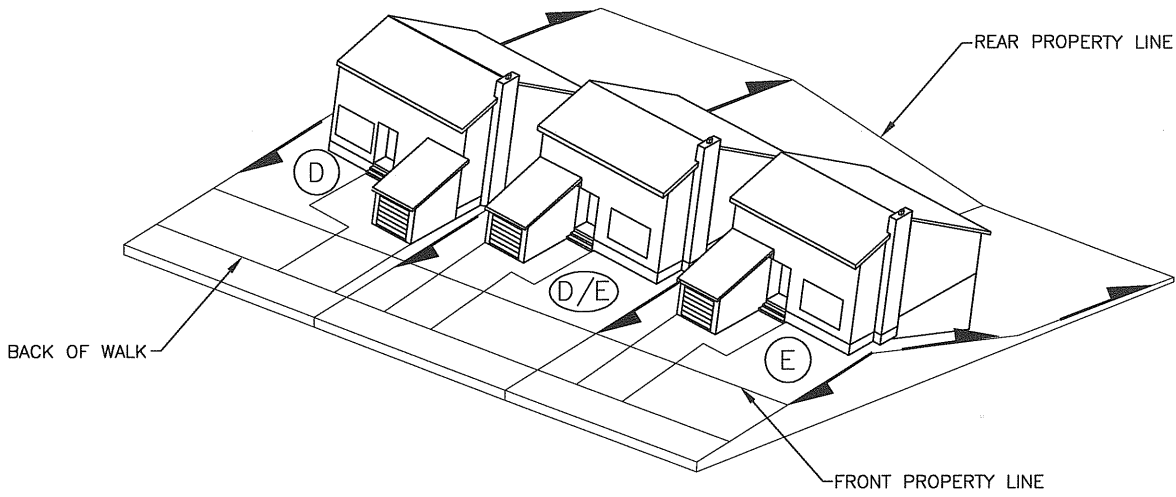
<table border="1"> <tr> <td>4</td> <td>PLAN DESCRIPTION/REVISIONS</td> </tr> <tr> <td>3</td> <td></td> </tr> <tr> <td>2</td> <td></td> </tr> <tr> <td>1</td> <td></td> </tr> </table>	4	PLAN DESCRIPTION/REVISIONS	3		2		1			<p>APPROVED</p>
4	PLAN DESCRIPTION/REVISIONS									
3										
2										
1										
<p>DRAWN BY <u>LMD</u> DATE <u>2010-SEP-14</u></p>	 GENERAL MANAGER									
<p>SCALE : HOR. _____ VERT. _____</p>	<p>LOT GRADING TRANSITION LOT TYPE A/D & D/A</p>	<p>ENGINEER PLAN NO. 102-0022-013r001</p>								



NOTE: 1) SIDE YARD 3.0M @ 5.0% MIN. SLOPE OR MIN. 0.15M DROP FROM WALL TO PROPERTY LINE
 2) LOT TYPE C/D IS REVERSE OF LOT TYPE D/C

PLAN VIEW
 TRANSITION LOT TYPE D/C

<table border="1"> <tr> <td colspan="2">PLAN DESCRIPTION/REVISIONS</td> </tr> <tr> <td>4</td> <td></td> </tr> <tr> <td>3</td> <td></td> </tr> <tr> <td>2</td> <td></td> </tr> <tr> <td>1</td> <td></td> </tr> <tr> <td colspan="2">DRAWN BY <u>LMD</u></td> </tr> <tr> <td colspan="2">DATE <u>2010-SEP-14</u></td> </tr> <tr> <td colspan="2">SCALE : HOR. _____ VERT. _____</td> </tr> </table>	PLAN DESCRIPTION/REVISIONS		4		3		2		1		DRAWN BY <u>LMD</u>		DATE <u>2010-SEP-14</u>		SCALE : HOR. _____ VERT. _____		 <p style="text-align: center;">LOT GRADING TRANSITION LOT TYPE D/C & C/D</p>	<p style="text-align: right;">APPROVED</p>  <p style="text-align: right;">GENERAL MANAGER</p>  <p style="text-align: right;">ENGINEER</p> <p style="text-align: right;">PLAN NO. 102-0022-014r001</p>
PLAN DESCRIPTION/REVISIONS																		
4																		
3																		
2																		
1																		
DRAWN BY <u>LMD</u>																		
DATE <u>2010-SEP-14</u>																		
SCALE : HOR. _____ VERT. _____																		

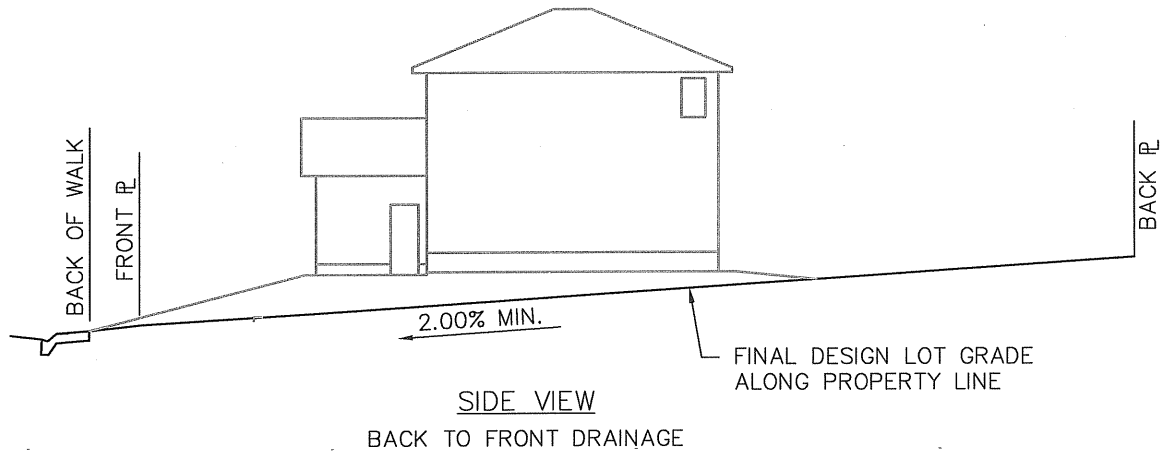
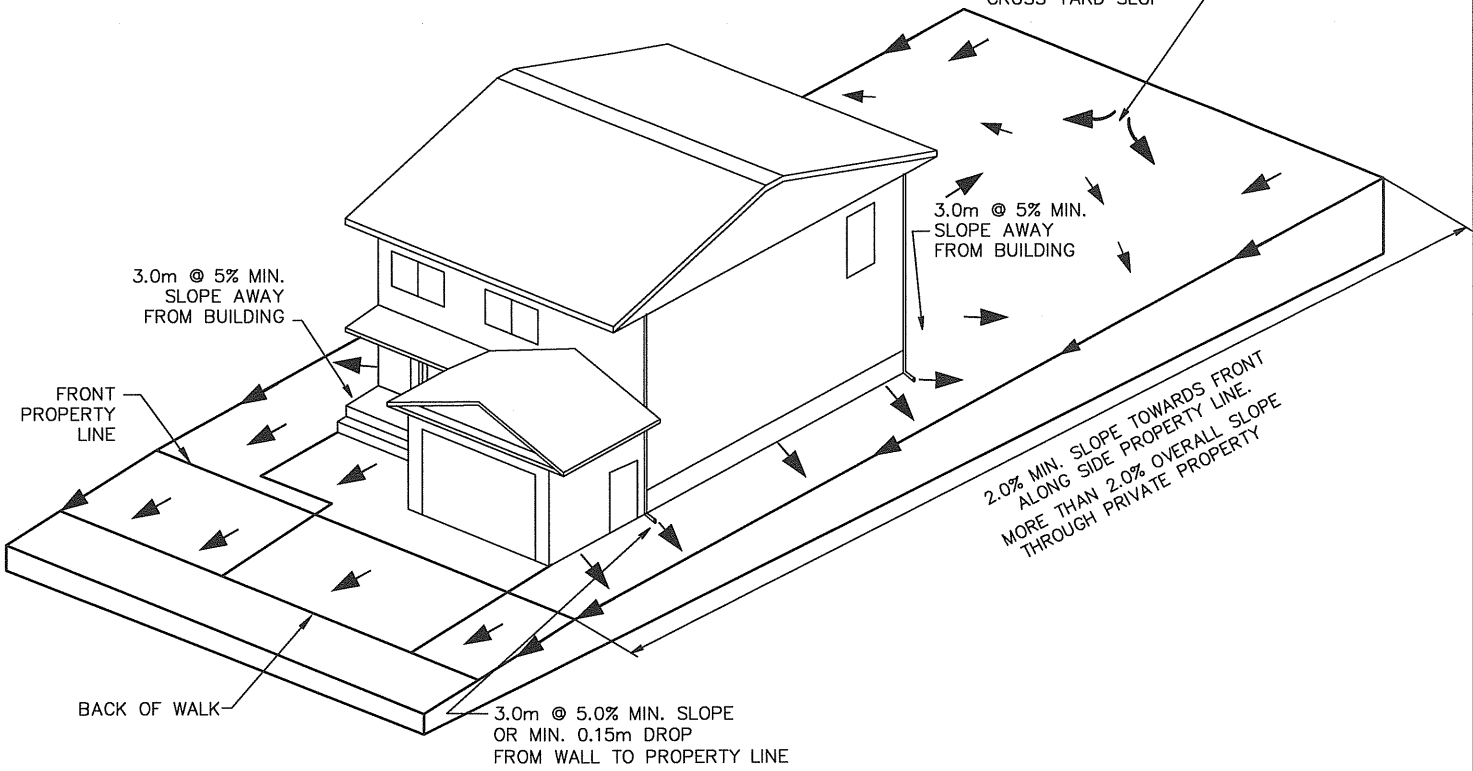


NOTE: 1) SIDE YARD 3.0M @ 5.0% MIN. SLOPE OR MIN. 0.15M DROP FROM WALL TO PROPERTY LINE
 2) LOT TYPE E/D IS REVERSE OF LOT TYPE D/E

PLAN VIEW
TRANSITION LOT TYPE D/E

<p>PLAN DESCRIPTION/REVISIONS</p> <table border="1"> <tr><td>4</td><td></td></tr> <tr><td>3</td><td></td></tr> <tr><td>2</td><td></td></tr> <tr><td>1</td><td></td></tr> </table>	4		3		2		1		<p>City of Saskatoon Infrastructure Services Department</p>	<p>APPROVED</p>
4										
3										
2										
1										
<p>DRAWN BY <u>LMD</u> DATE <u>2010-SEP-14</u></p> <p>SCALE : HOR. _____ VERT. _____</p>	<p>LOT GRADING TRANSITION LOT TYPE D/E & E/D</p>	<p><i>[Signature]</i> GENERAL MANAGER</p> <p><i>[Signature]</i> ENGINEER</p> <p>PLAN NO. 102-0022-015r001</p>								

TYPICAL RELATIVE HIGH POINT ACROSS YARD
 (DRAINAGE MAY BE SPLIT FROM CENTRE OR ALL
 SLOPED TO LOW SIDE) TYPICAL 1.5% MINIMUM
 CROSS YARD SLOP

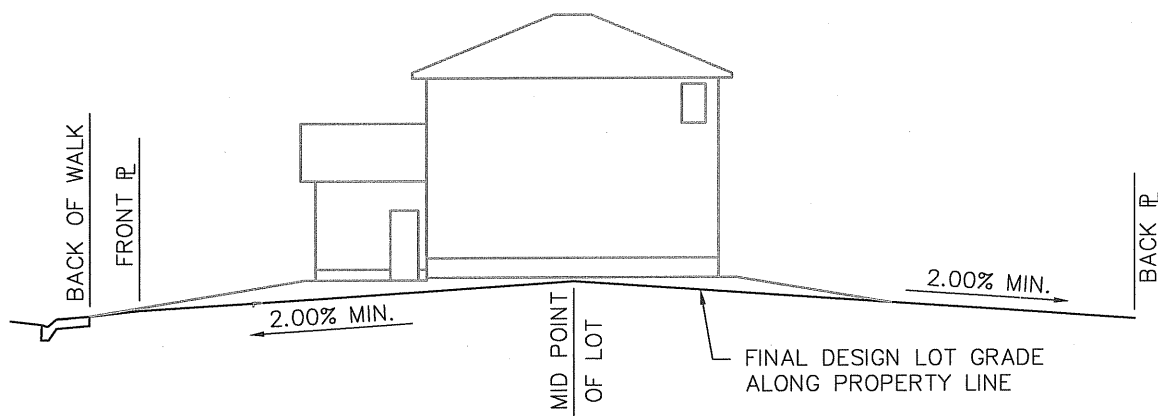
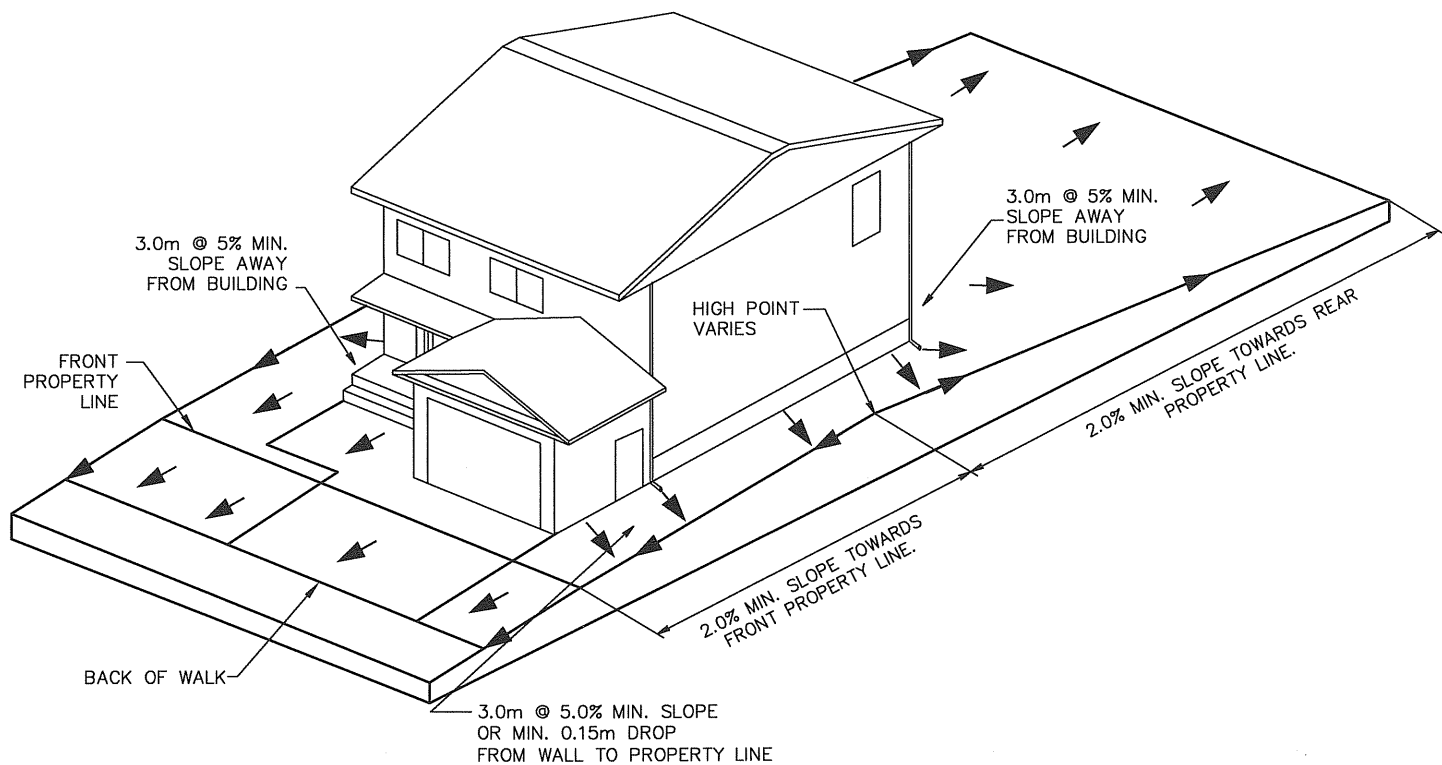


REVISIONS	
1	
2	
3	
DRAWN BY <u>LMD</u>	
DATE <u>04-OCT-2010</u>	
CHECKED BY _____	
DATE _____	

CITY OF SASKATOON
 INFRASTRUCTURE SERVICES DEPARTMENT

LOT GRADING
 TYPE A

APPROVED	
<i>[Signature]</i>	Nov 3, 10
CITY ENGINEER	P. ENG.
ENGINEER	
SCALES : HOR. <u>N.T.S.</u> VERT. <u>N.T.S.</u>	
PLAN NO. 102-0022-016r001	



SIDE VIEW
SPLIT DRAINAGE

REVISIONS	
1	
2	
3	

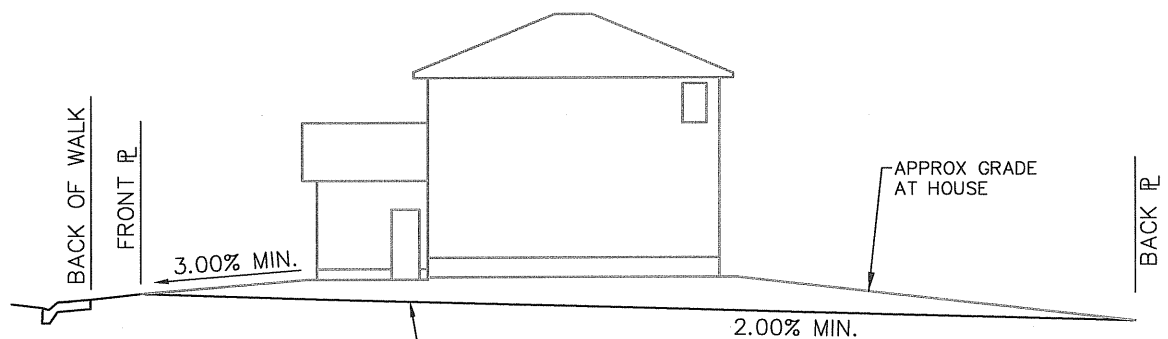
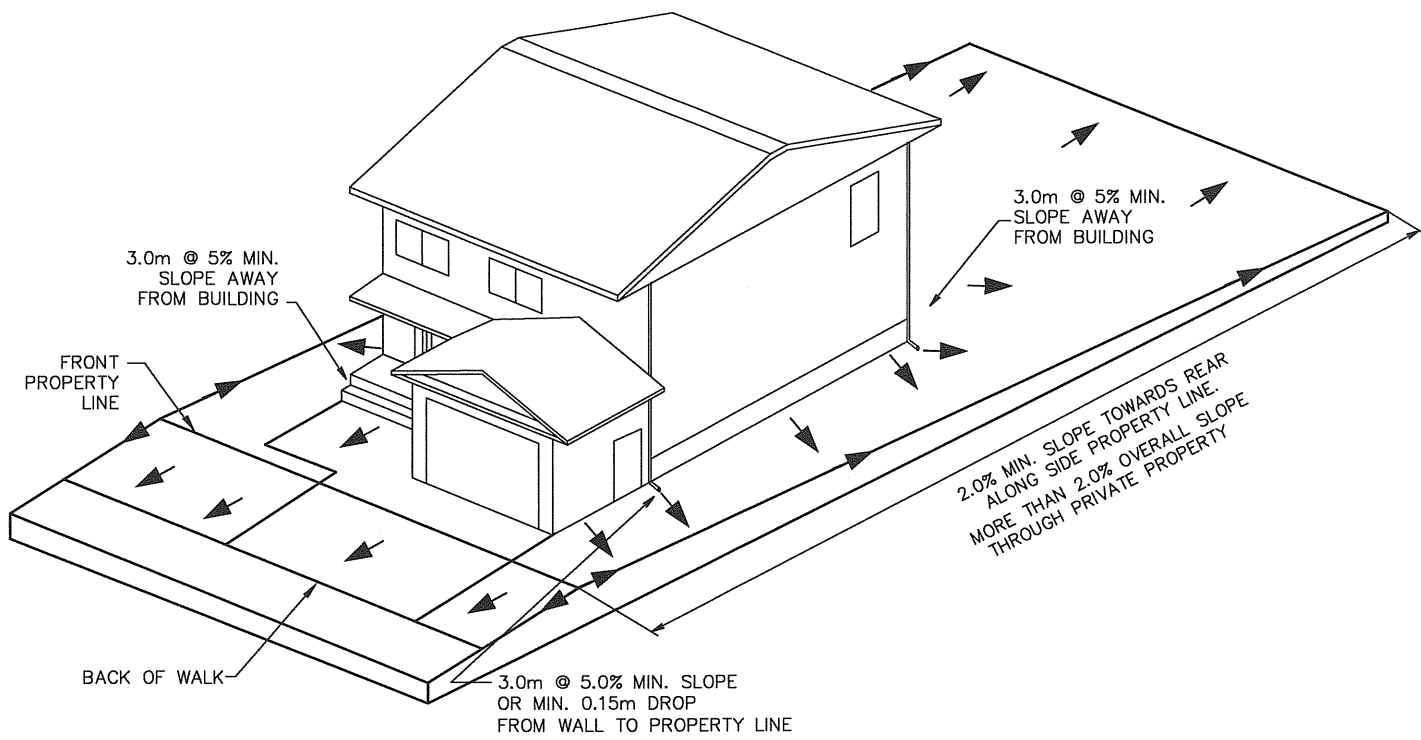
CITY OF SASKATOON
INFRASTRUCTURE SERVICES DEPARTMENT

APPROVED
[Signature] NOV 3/10
CITY ENGINEER P. ENG.
ENGINEER

DRAWN BY LMD
DATE 04-OCT-2010
CHECKED BY _____
DATE _____

LOT GRADING
TYPE D

ENGINEER _____
SCALES : HOR. N.T.S. VERT. N.T.S.
PLAN NO. 102-0022-017r001



FINAL DESIGN LOT GRADE
ALONG PROPERTY LINE

SIDE VIEW
FRONT TO BACK DRAINAGE

REVISIONS	
1	
2	
3	

CITY OF SASKATOON
INFRASTRUCTURE SERVICES DEPARTMENT

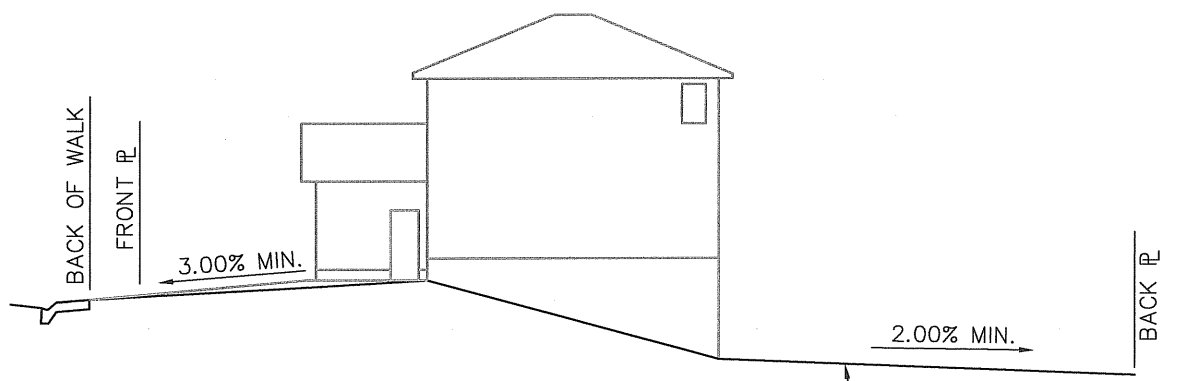
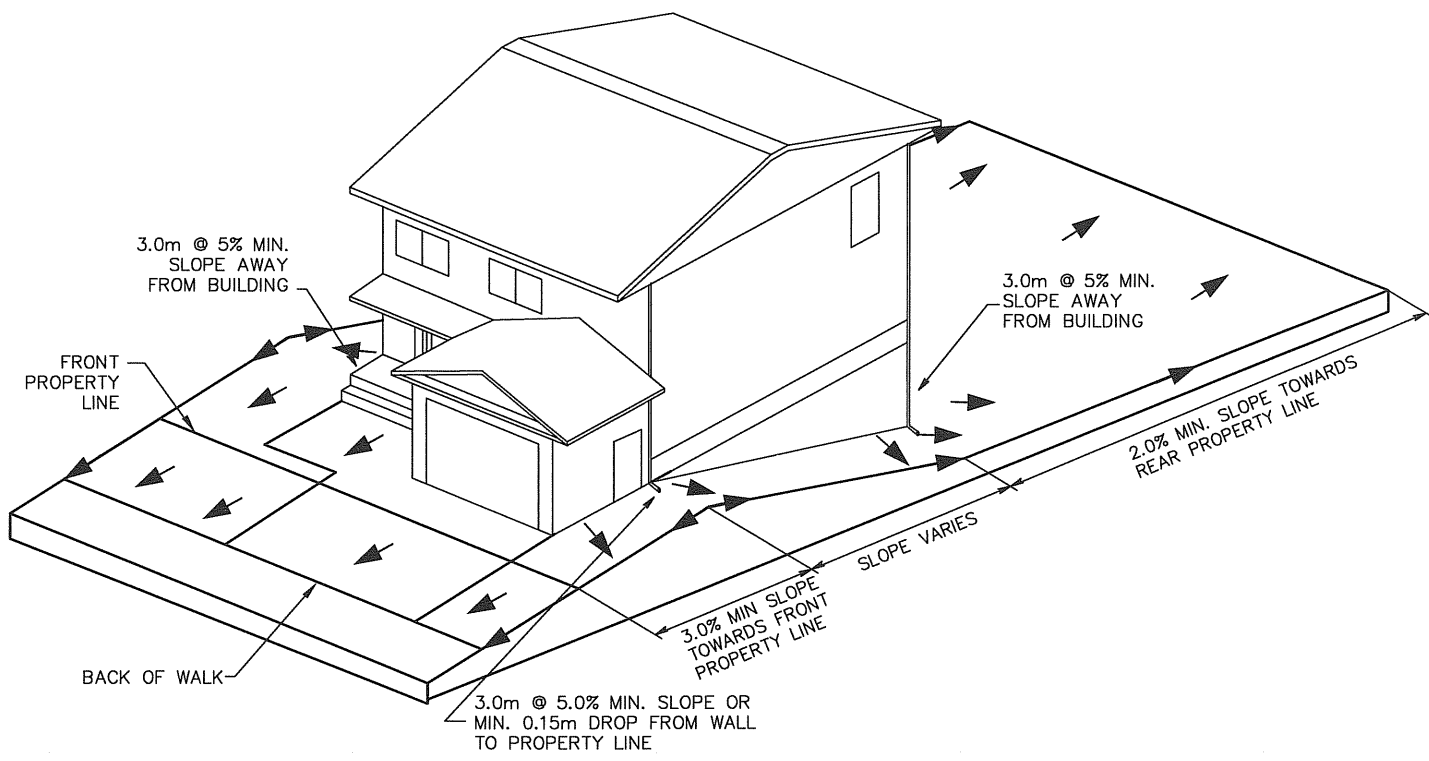
APPROVED
[Signature]
CITY ENGINEER
P. ENG.

DRAWN BY LMD
DATE 04-OCT-2010

CHECKED BY _____
DATE _____

LOT GRADING
TYPE C

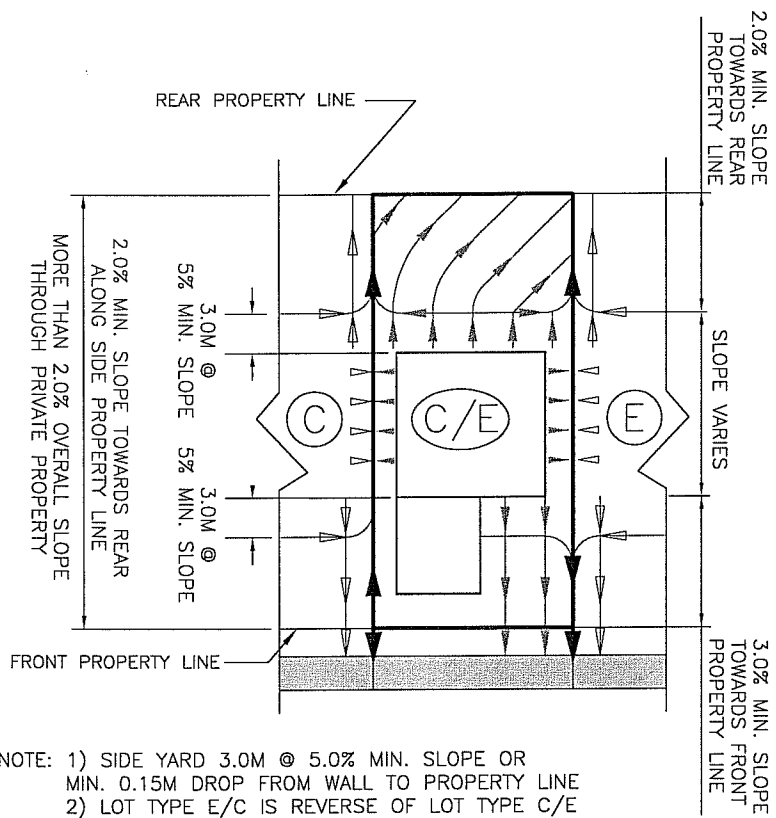
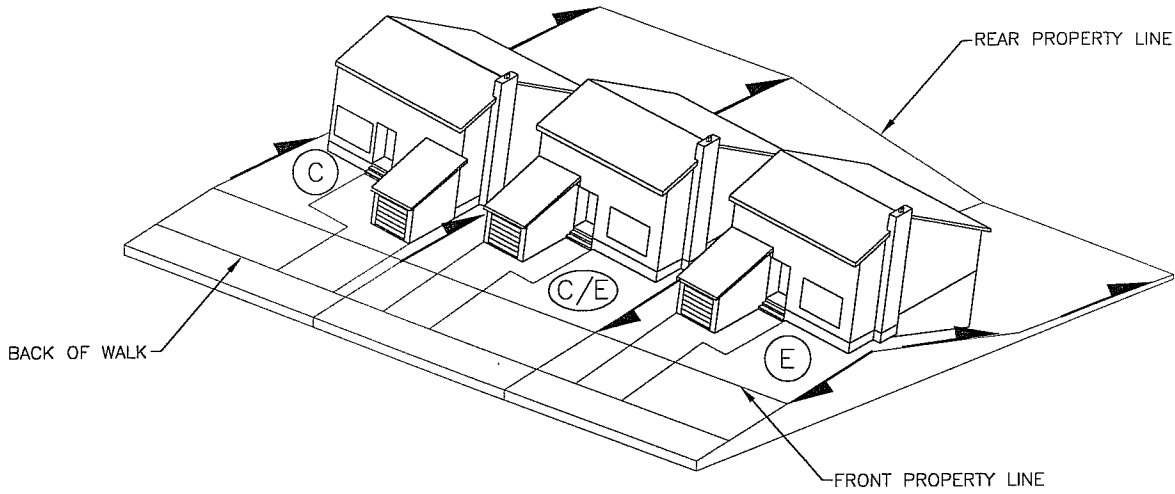
ENGINEER _____
SCALES : HOR. N.T.S. VERT. N.T.S.
PLAN NO. 102-0022- 018r001



SIDE VIEW
WALK-OUT BASEMENT

FINAL DESIGN LOT GRADE
ALONG PROPERTY LINE

REVISIONS		CITY OF SASKATOON INFRASTRUCTURE SERVICES DEPARTMENT	APPROVED	
1			<i>[Signature]</i> CITY ENGINEER	<i>[Signature]</i> P. ENG.
2			ENGINEER	
3		LOT GRADING TYPE E	SCALES : HOR. <u> N.T.S. </u> VERT. <u> N.T.S. </u>	
DRAWN BY <u> LMD </u>			PLAN NO. 102-0022-019r001	
DATE <u> 04-OCT-2010 </u>				
CHECKED BY <u> </u>				
DATE <u> </u>				



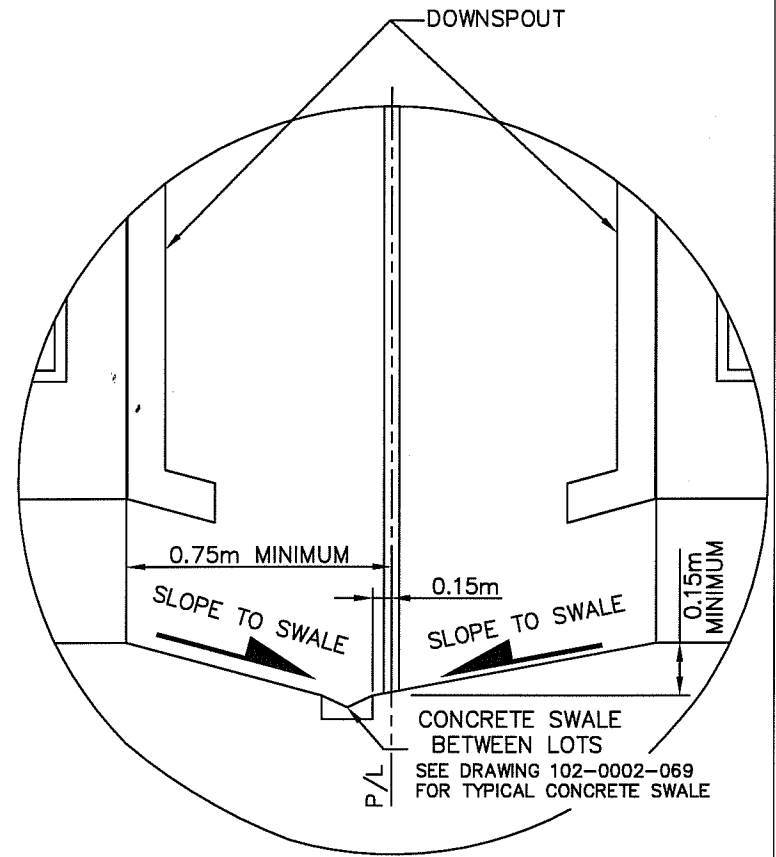
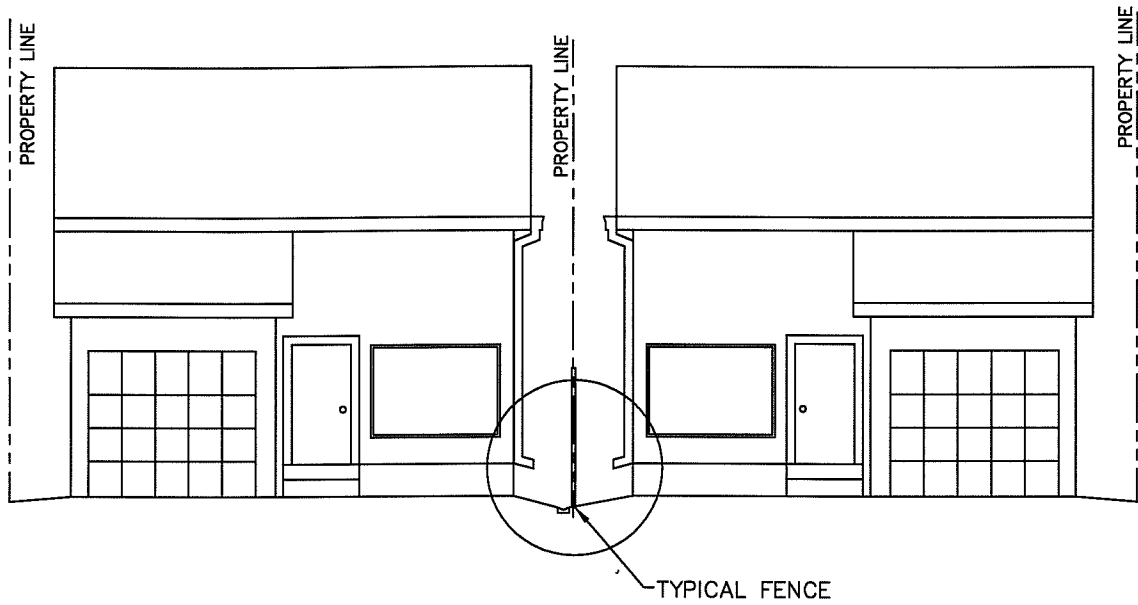
PLAN VIEW
 TRANSITION LOT TYPE C/E

PLAN DESCRIPTION/REVISIONS	
4	
3	
2	
1	
DRAWN BY <u>HLO</u>	
DATE <u>2011-MAR-23</u>	
SCALE : HOR. _____ VERT. _____	



LOT GRADING
 TRANSITION LOT TYPE C/E & E/C

APPROVED
<i>[Signature]</i> GENERAL MANAGER
<i>[Signature]</i> ENGINEER
PLAN NO. 102-0022-021r001



NOTES:

1. 0.75m MINIMUM DISTANCE FROM FOUNDATION WALL TO PROPERTY LINE
2. MINIMUM 0.15m DROP FROM FOUNDATION WALL TO PROPERTY LINE.
3. 0.15m BETWEEN PROPERTY LINE AND CONCRETE SWALE.

PLAN DESCRIPTION/REVISIONS	
4	
3	
2	
1	ADD CONCRETE SWALE DRAWING NUMBER HLO DEC 12, 2012
DRAWN BY <u> RWDT </u>	
DATE <u> 2011-OCT-29 </u>	
SCALE : HOR. <u> N.T.S </u> VERT. <u> N.T.S </u>	

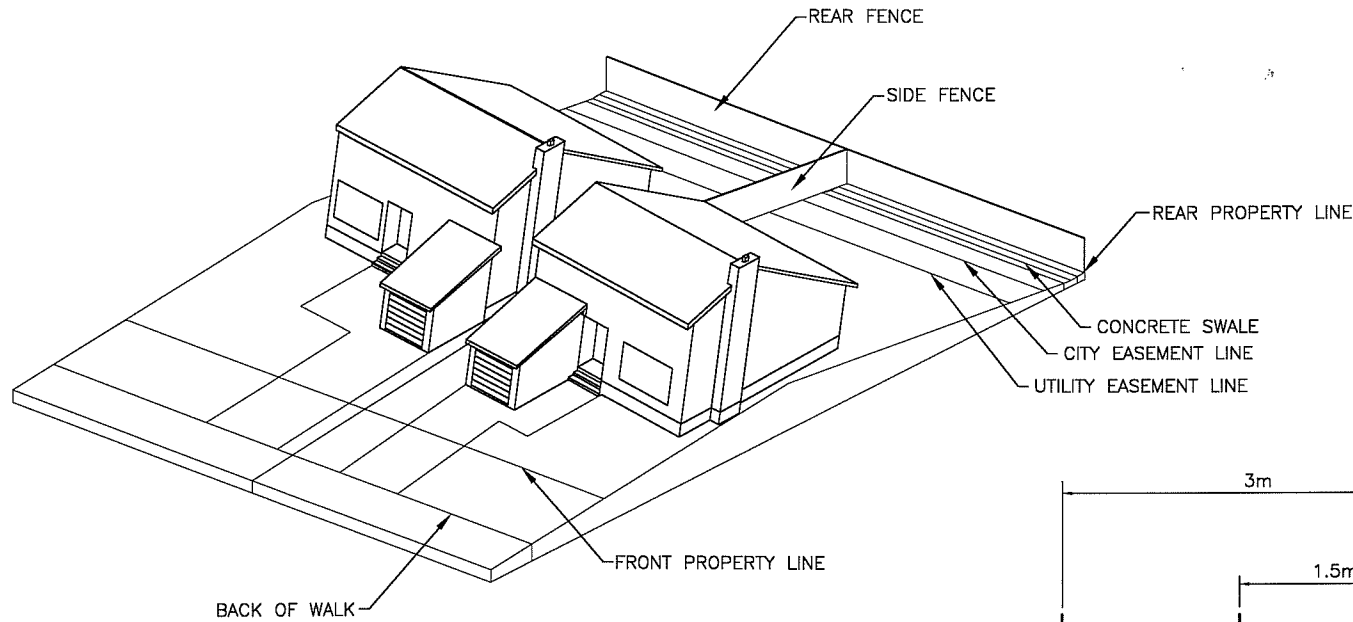


SIDE YARD
TYP. CONCRETE DRAINAGE SWALE

APPROVED

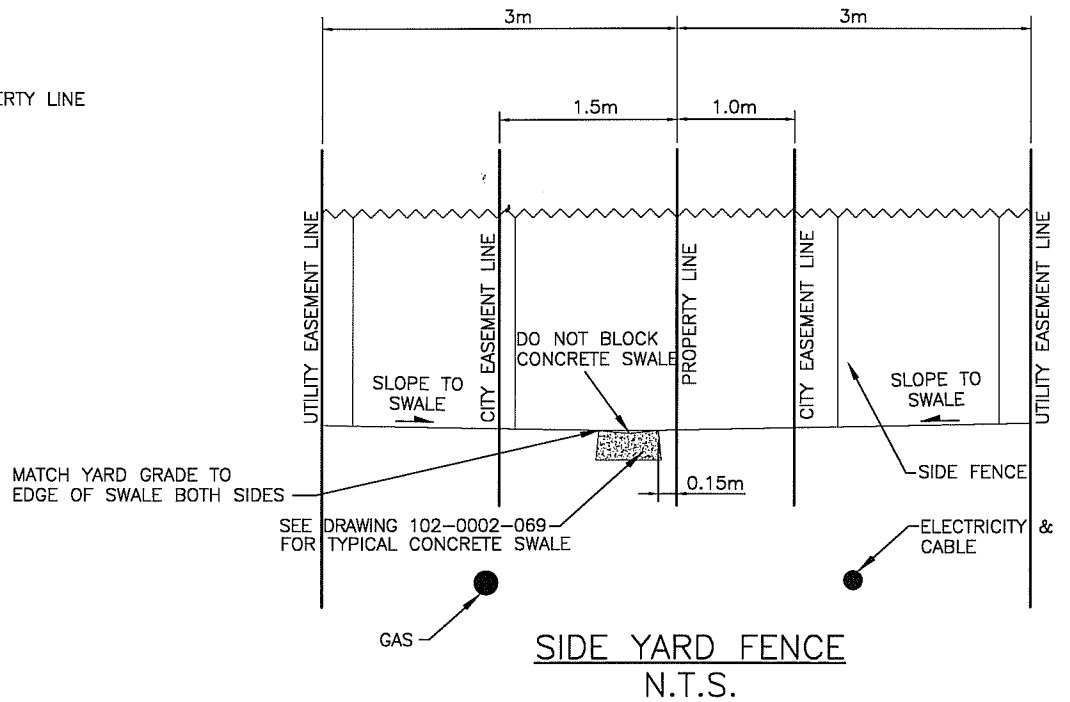
 GENERAL MANAGER
 ENGINEER

 PLAN NO. 102-0022-022r002



NOTES:

1. UTILITIES SHALL BE PLACED WITHIN THE UTILITY EASEMENT, BUT NOT WITHIN THE CITY EASEMENT.
2. THE CONCRETE SWALE SHALL BE BUILT 0.15m FROM THE REAR PROPERTY LINE WITHIN THE 1.5m CITY EASEMENT.
3. UTILITY LOCATIONS MAY VARY



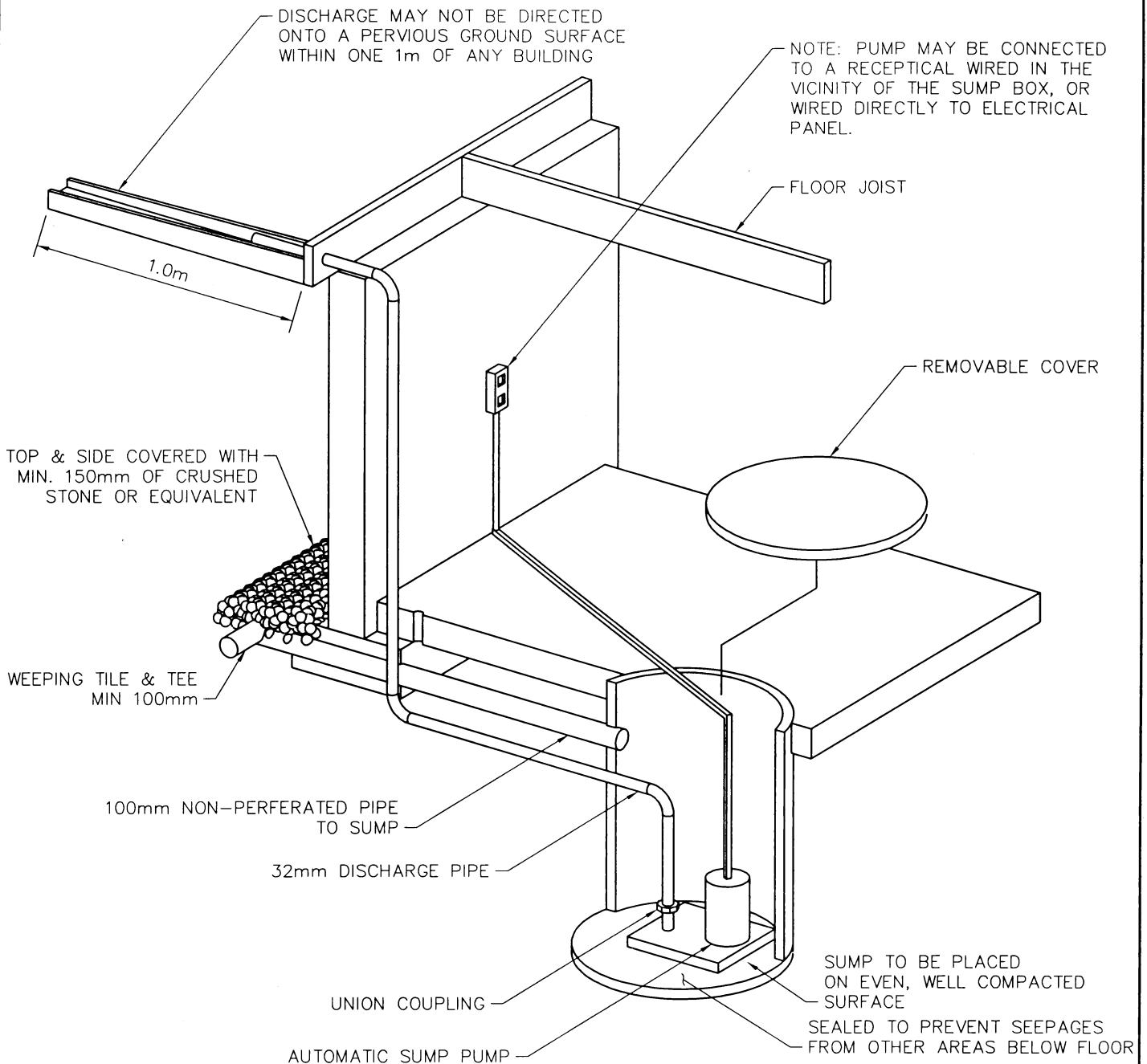
SIDE YARD FENCE
N.T.S.

PLAN DESCRIPTION/REVISIONS	
4	
3	
2	
1	ADD CONCRETE SWALE DRAWING NUMBER HLO DEC 12, 2012
DRAWN BY <u>RWD</u>	
DATE <u>2011-OCT-29</u>	
SCALE : HOR. <u>N.T.S.</u> VERT. <u>N.T.S.</u>	



BACK YARD
TYP. CONCRETE DRAINAGE SWALE

APPROVED
GENERAL MANAGER
ENGINEER
PLAN NO. 102-0022-023r002



- ENSURE EXCAVATION FOR THE SUMP IS A MINIMUM 450mm FROM THE FOOTINGS.
- PROVISION IS REQUIRED TO PREVENT SOIL GAS FROM ENTERING THE DWELLING FROM THE SUMP AND WEEPING TILE.
- SUMP PIT MAY BE CONSTRUCTED OF:
 - A) CONCRETE
 - B) CORROSION RESISTANT STEEL
 - C) PLASTIC

CODE REFERENCE ON SUMP:
 NATIONAL BUILDING CODE SECTION 9.14.2
 FOUNDATION DRAINAGE
 9.14.5.2 SUMP PITS

WHERE A SUMP PIT IS PROVIDED IT SHALL BE:

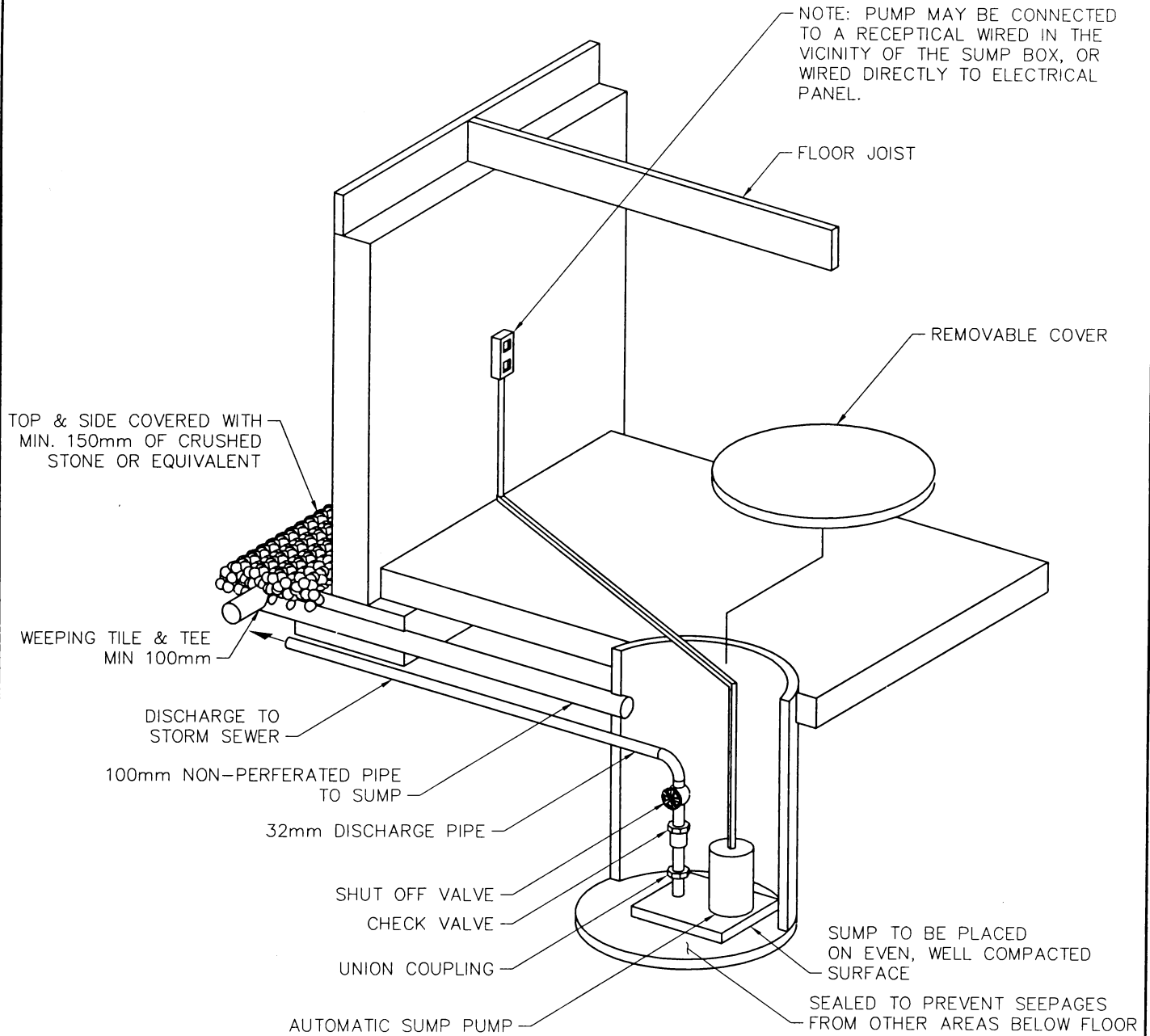
- A) NOT LESS THAN 750mm DEEP.
- B) NOT LESS THAN 0.25sq.m IN AREA, AND
- C) PROVIDED WITH A COVER.

REVISIONS	
1	
2	
3	
DRAWN BY <u>C. CARTER</u>	
DATE <u>10/30/02</u>	
CHECKED BY _____	
DATE _____	



SUMP WITH PUMPED DISCHARGE TO SURFACE

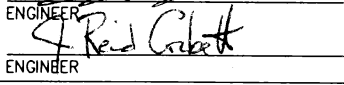
APPROVED	
	GENERAL MANAGER P. ENG.
	ENGINEER
SCALES : HOR. NTS. _____	
PLAN NO. 102-0025-001r004	



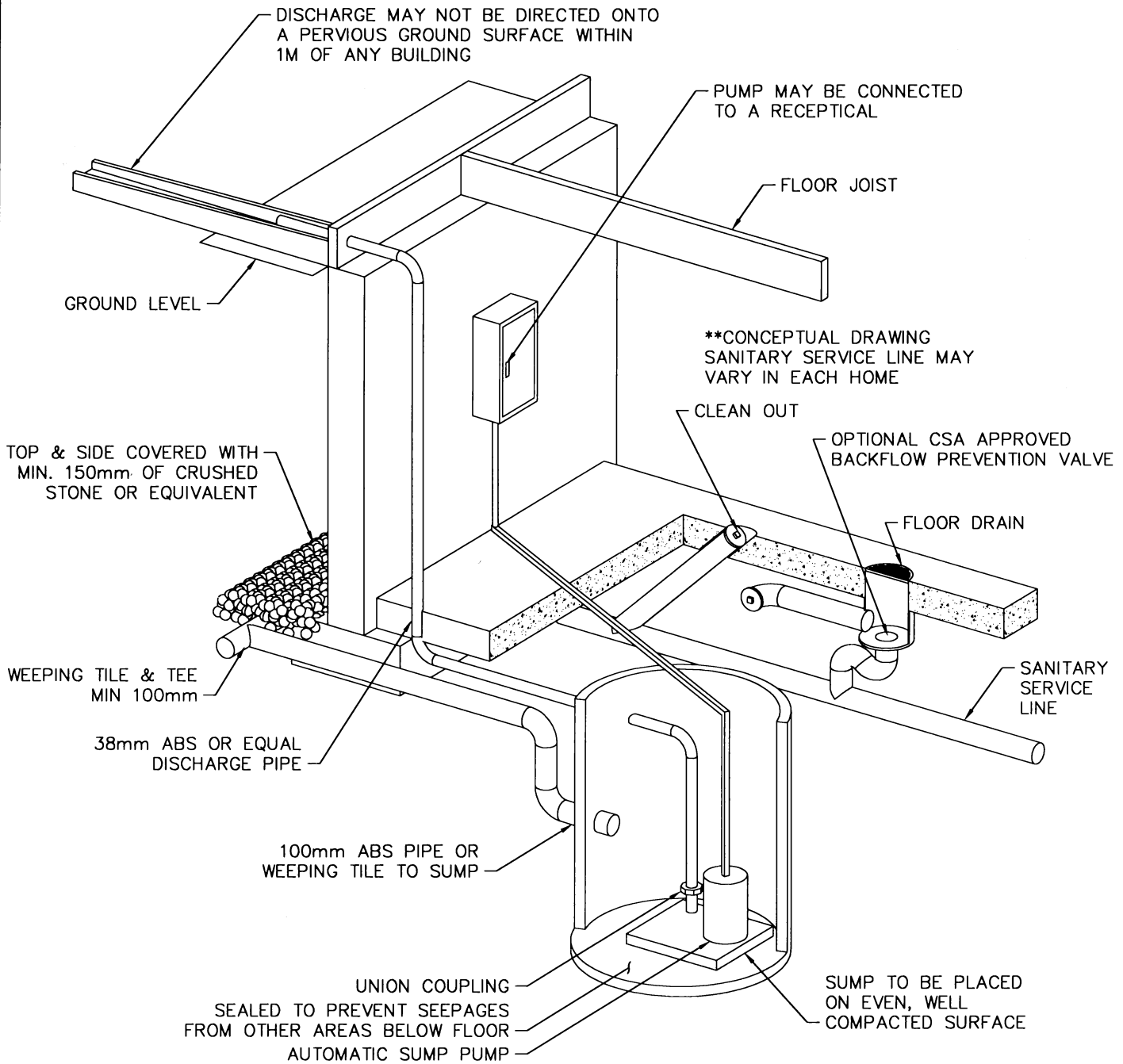
- ENSURE EXCAVATION FOR THE SUMP IS A MINIMUM 450mm FROM THE FOOTINGS.
- PROVISION IS REQUIRED TO PREVENT SOIL GAS FROM ENTERING THE DWELLING FROM THE SUMP AND WEeping TILE.
- SUMP PIT MAY BE CONSTRUCTED OF:
 - A) CONCRETE
 - B) CORROSION RESISTANT STEEL
 - C) PLASTIC

CODE REFERENCE ON SUMP:
 NATIONAL BUILDING CODE SECTION 9.14.2
 FOUNDATION DRAINAGE
 9.14.5.2 SUMP PITS

WHERE A SUMP PIT IS PROVIDED IT SHALL BE:
 A) NOT LESS THAN 750mm DEEP.
 B) NOT LESS THAN 0.25sq.m IN AREA, AND
 C) PROVIDED WITH A COVER.

REVISIONS		APPROVED
1		 GENERAL MANAGER P. ENG.
2		 ENGINEER
3		SCALES : HOR. NTS
DRAWN BY <u>C. CARTER</u> DATE <u>10/30/02</u>		PLAN NO. 102-0025-002r004
SUMP WITH PUMPED DISCHARGE TO STORM SEWER		
CHECKED BY _____ DATE _____		

PERMANENT CHANGES TO PLUMBING REQUIRES A PLUMBING PERMIT




CODE REFERENCE ON SUMP:
 NATIONAL BUILDING CODE SECTION 9.14.2
 FOUNDATION DRAINAGE
 9.14.5.2 SUMP PITS

SUMP PIT MAY BE CONSTRUCTED OF:
 A) CONCRETE
 B) CORROSION RESISTANT STEEL
 C) PLASTIC


WHERE A SUMP PIT IS PROVIDED IT SHALL BE:
 A) NOT LESS THAN 750mm DEEP.
 B) NOT LESS THAN 0.25sq.m IN AREA, AND
 C) PROVIDED WITH A COVER.

REVISIONS	
1	
2	
3	
DRAWN BY <u>C. CARTER</u>	
DATE <u>05/05/03</u>	
CHECKED BY _____	
DATE _____	

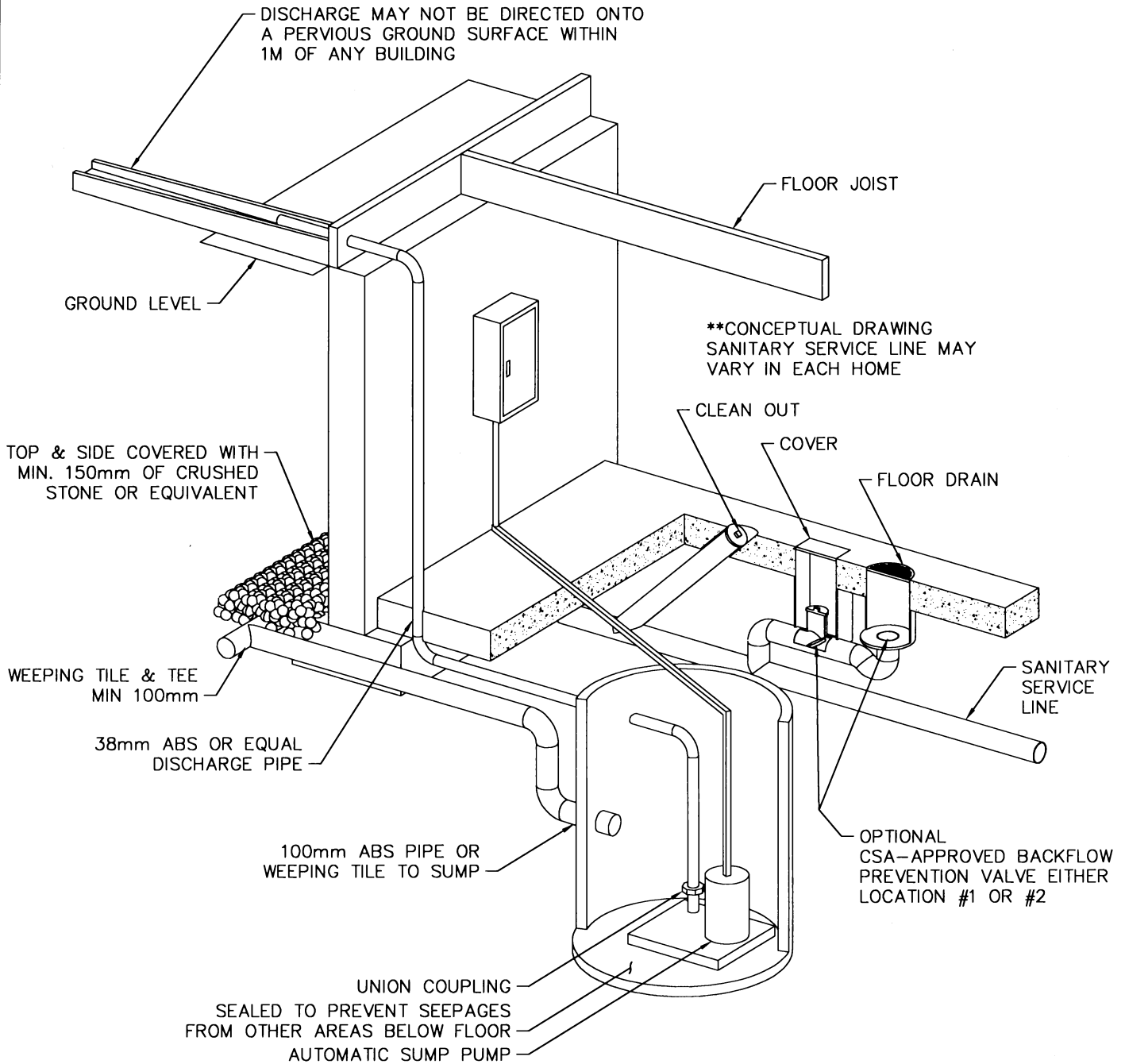


**City of
Saskatoon**
Infrastructure Services Department

SUMP PUMP RETROFIT #1

APPROVED	
	P. ENG.
GENERAL MANAGER	
ENGINEER _____	
ENGINEER _____	
SCALES : HOR. NTS _____	
PLAN NO. 102-0025-003r001	

PERMANENT CHANGES TO PLUMBING REQUIRES A PLUMBING PERMIT





CODE REFERENCE ON SUMP:
 NATIONAL BUILDING CODE SECTION 9.14.2
 FOUNDATION DRAINAGE
 9.14.5.2 SUMP PITS

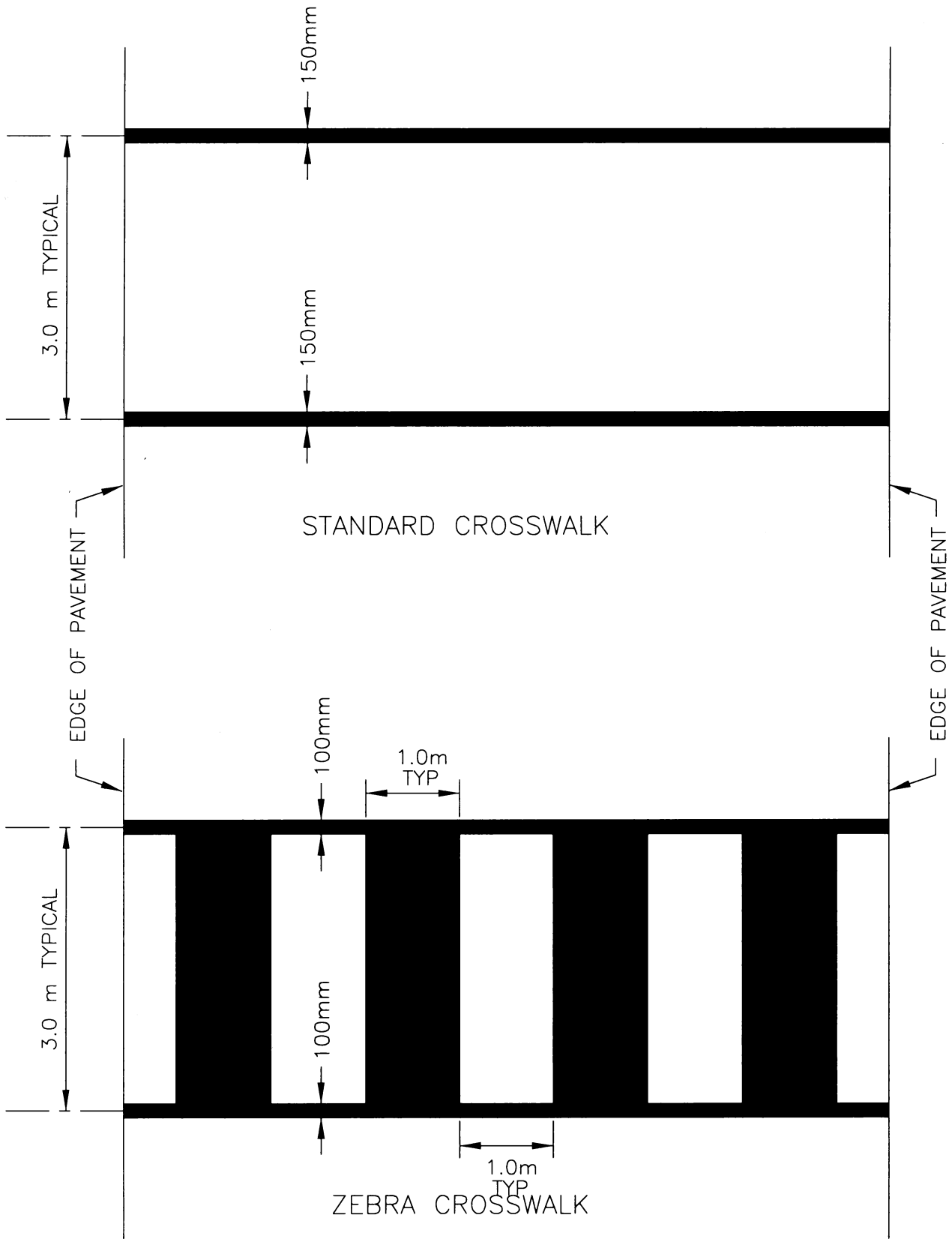
SUMP PIT MAY BE CONSTRUCTED OF:

- A) CONCRETE
- B) CORROSION RESISTANT STEEL
- C) PLASTIC

WHERE A SUMP PIT IS PROVIDED IT SHALL BE:

- A) NOT LESS THAN 750mm DEEP.
- B) NOT LESS THAN 0.25sq.m IN AREA, AND
- C) PROVIDED WITH A COVER.

<p>REVISIONS</p> <table border="1"> <tr><td>1</td><td></td></tr> <tr><td>2</td><td></td></tr> <tr><td>3</td><td></td></tr> </table>		1		2		3		 <p>City of Saskatoon Infrastructure Services Department</p>	<p>APPROVED</p>  <p>GENERAL MANAGER P. ENG.</p>
1									
2									
3									
<p>DRAWN BY <u>C. CARTER</u> DATE <u>01/05/04</u></p> <p>CHECKED BY _____ DATE _____</p>		<p>SUMP WITH PUMPED DISCHARGE TO SURFACE PLUS BACKFLOW PREVENTION SUMP PUMP RETROFIT #2</p>	<p>ENGINEER _____</p> <p>ENGINEER _____</p> <p>SCALES : HOR. NTS _____</p> <p>PLAN NO. 102-0025-004r001</p>						



REVISIONS	
1	REVISE NOTES HAF 04-10
2	
3	

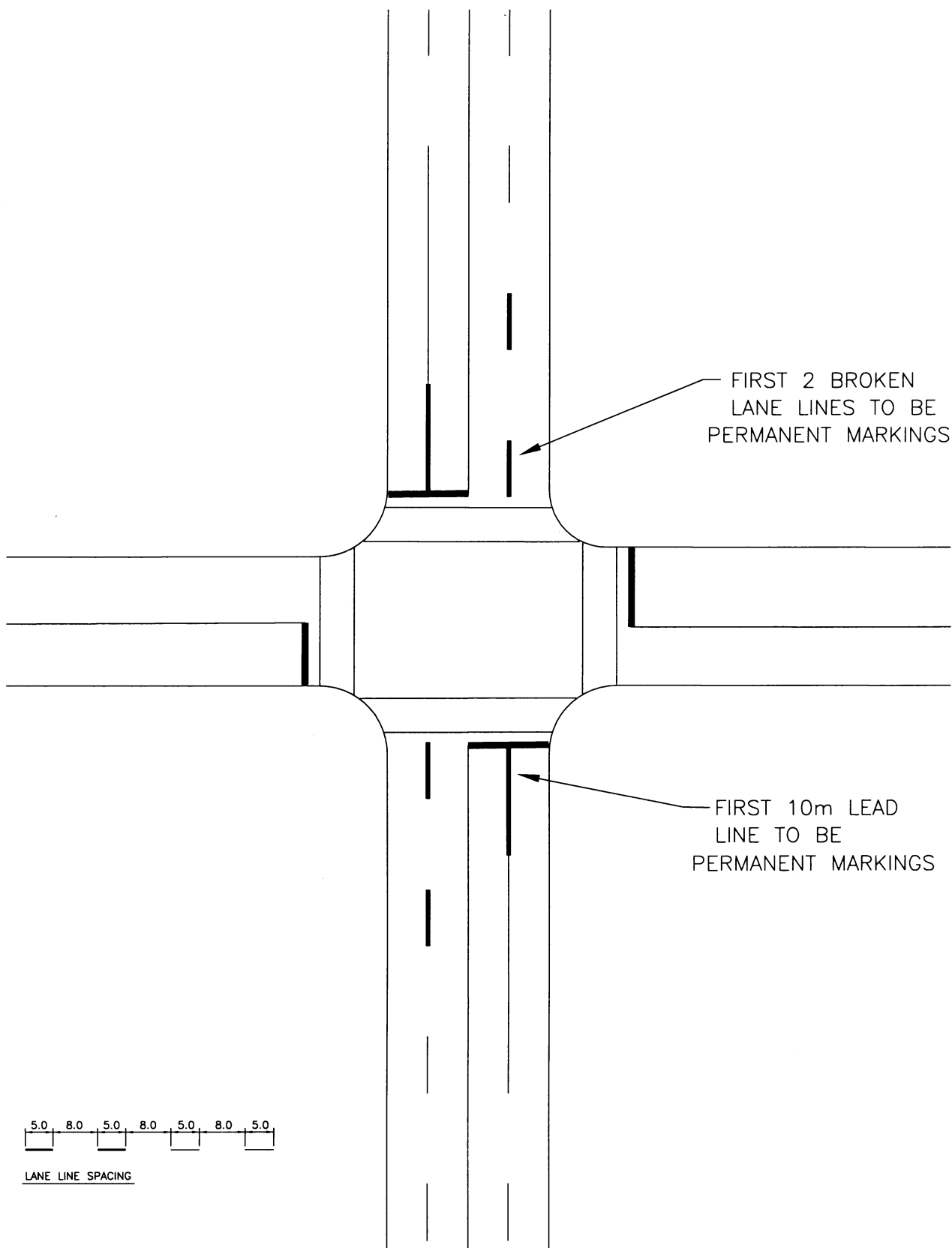


City of Saskatoon
 Infrastructure Services Department

CROSSWALK PAVEMENT MARKINGS

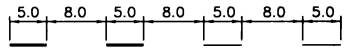
DRAWN BY	CJP
DATE	04 07 13
CHECKED BY	
DATE	

APPROVED	
GENERAL MANAGER	<i>[Signature]</i> P. ENG.
ENGINEER	<i>[Signature]</i>
ENGINEER	<i>A. Boyle</i>
SCALES :	HOR. NTS VERT.
PLAN NO.	102-0028-001r002



FIRST 2 BROKEN
LANE LINES TO BE
PERMANENT MARKINGS

FIRST 10m LEAD
LINE TO BE
PERMANENT MARKINGS



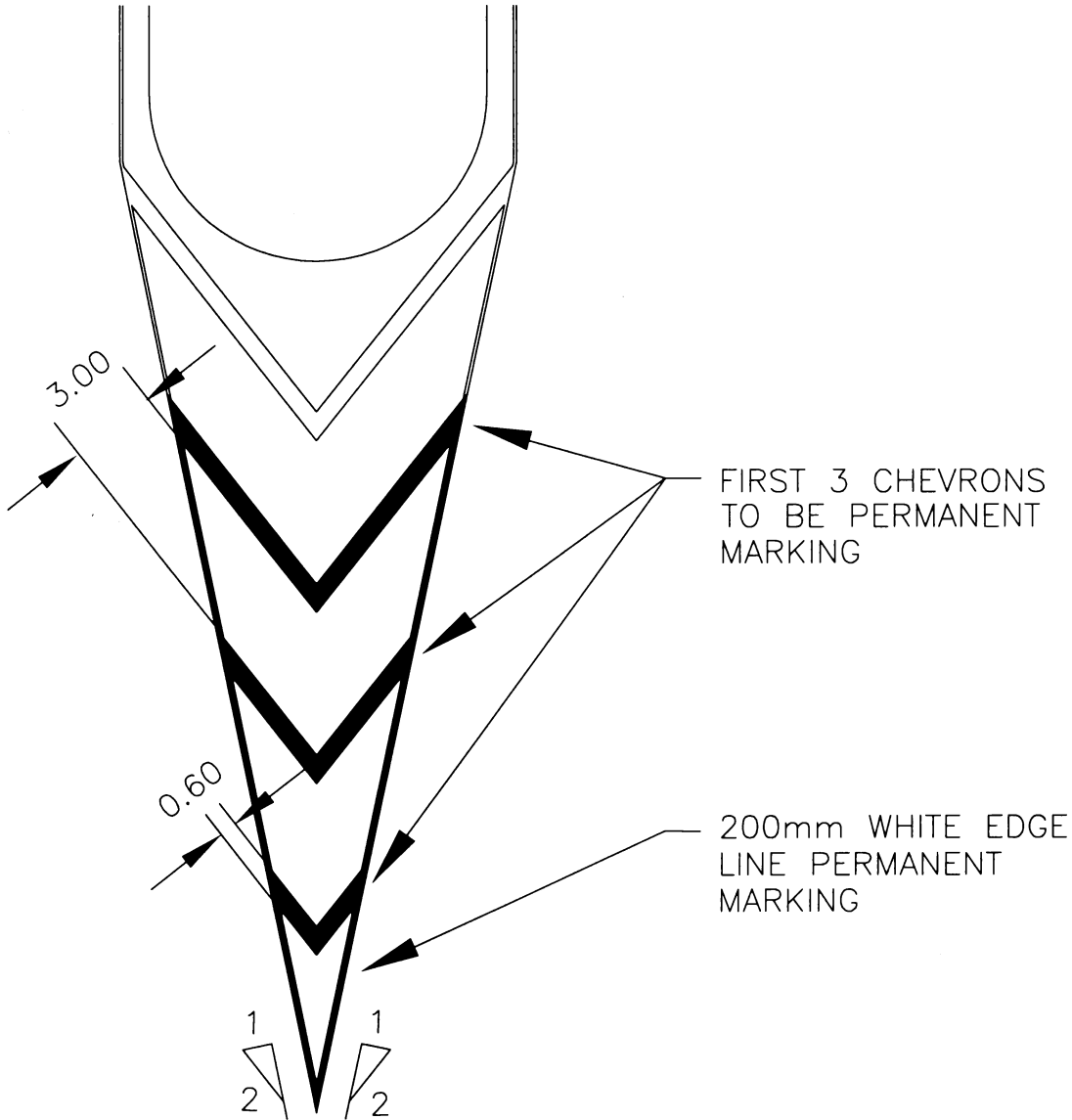
LANE LINE SPACING

REVISIONS	
1	
2	
3	
DRAWN BY <u>HAF</u>	
DATE <u>APR 05</u>	
CHECKED BY _____	
DATE _____	



REQUIRED PERMANENT MARKINGS
AT INTERSECTIONS

APPROVED	
	P. ENG.
GENERAL MANAGER	
ENGINEER	
<u>A. Boyle</u>	
ENGINEER	
SCALES :	
HOR. 1:500	VERT.
PLAN NO. 102-0028-008r001	



FIRST 3 CHEVRONS
TO BE PERMANENT
MARKING

200mm WHITE EDGE
LINE PERMANENT
MARKING

NOTE: HEAVY LINE
DENOTES PERMANENT
MARKINGS

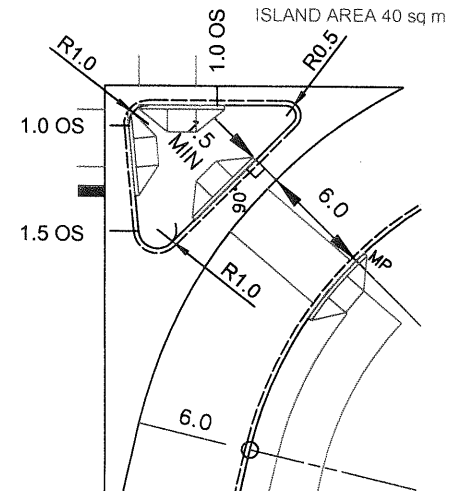
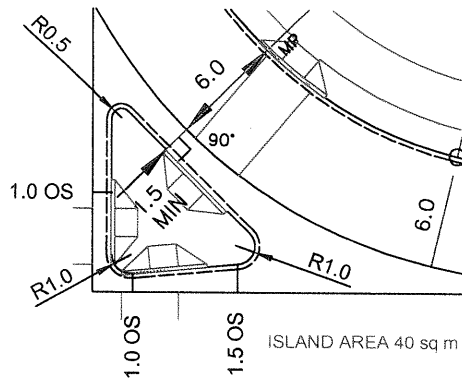
REVISIONS	
1	
2	
3	



APPROVED	
<i>[Signature]</i>	
GENERAL MANAGER	P. ENG.
<i>A. Boyle</i>	
ENGINEER	
<i>[Signature]</i>	
ENGINEER	
SCALES :	
HOR. 1:250	VERT.
PLAN NO. 102-0028-009r001	

DRAWN BY	HAF
DATE	APR 05
CHECKED BY	
DATE	

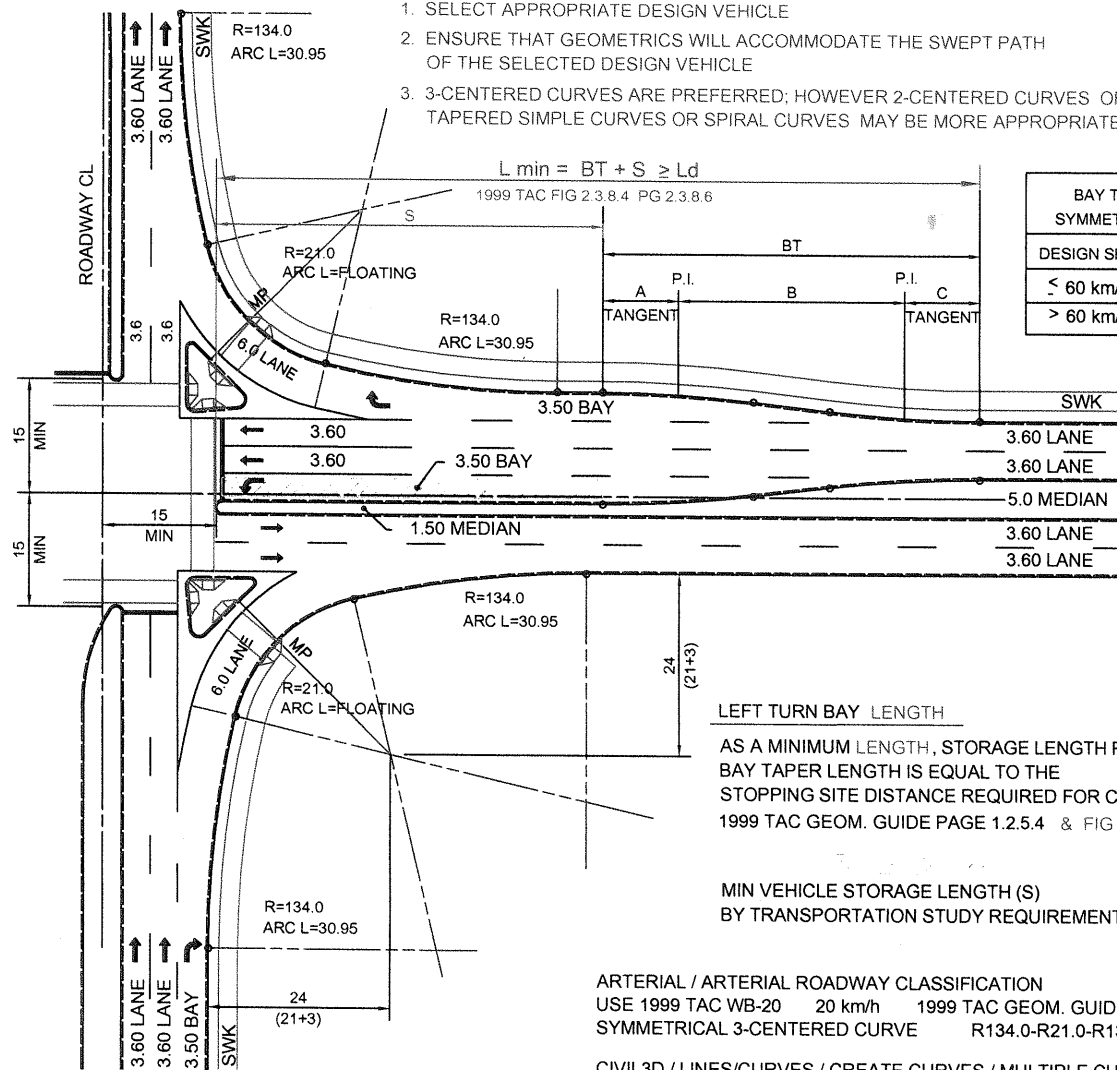
REQUIRED PERMANENT MARKINGS
AT CHEVRONS



NOTE:
3.60 AND 3.50 LANE WIDTHS DO NOT INCLUDE GUTTER

DESIGN GUIDANCE:

1. SELECT APPROPRIATE DESIGN VEHICLE
2. ENSURE THAT GEOMETRICS WILL ACCOMMODATE THE SWEEPED PATH OF THE SELECTED DESIGN VEHICLE
3. 3-CENTERED CURVES ARE PREFERRED; HOWEVER 2-CENTERED CURVES OR TAPERED SIMPLE CURVES OR SPIRAL CURVES MAY BE MORE APPROPRIATE



$L_{min} = BT + S \geq L_d$
1999 TAC FIG 2.3.8.4 PG 2.3.8.6

BAY TAPER LENGTH (BT) SYMMETRICAL REVERSE CURVES			
DESIGN SPEED	A _m	B _m	C _m
≤ 60 km/h	8	21	8
> 60 km/h	10	30	10

FOR INTRODUCED
RAISED MEDIAN SEE
1999 TAC GEOM. GUIDE
PAGE 2.3.8.7

LEFT TURN BAY LENGTH
AS A MINIMUM LENGTH, STORAGE LENGTH PLUS
BAY TAPER LENGTH IS EQUAL TO THE
STOPPING SITE DISTANCE REQUIRED FOR CHOSEN DESIGN SPEED
1999 TAC GEOM. GUIDE PAGE 1.2.5.4 & FIG 2.3.8.4 PG 2.3.8.6

MIN VEHICLE STORAGE LENGTH (S)
BY TRANSPORTATION STUDY REQUIREMENT

ARTERIAL / ARTERIAL ROADWAY CLASSIFICATION
USE 1999 TAC WB-20 20 km/h 1999 TAC GEOM. GUIDE PAGE 1.2.4.10 & 2.3.4.4
SYMMETRICAL 3-CENTERED CURVE R134.0-R21.0-R134.0 OFFSET 3.0

CIVIL3D / LINES/CURVES / CREATE CURVES / MULTIPLE CURVES / 3
AUTOTURN TURNING SIMULATION WILL DETERMINE FINAL WIDTH AT ISLAND.

COS NEW NEIGHBOURHOOD DESIGN
& DEVELOPMENT STANDARD SECTION 8 3.10
DIRECTIONAL ISLANDS FOR PEDESTRIAN
REFUGE TO BE 10 sq m MIN,
ELSE 6 sq m MIN.

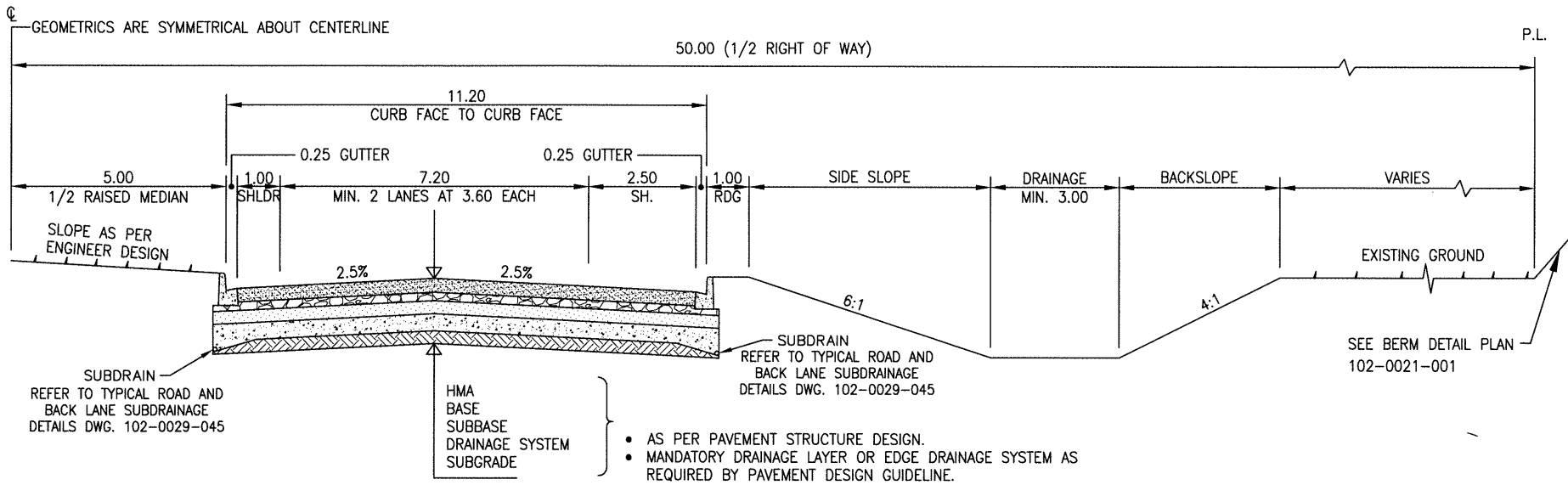
REVISIONS	
1	FOR Vd: WB-20
2	
3	

DRAWN BY LCI
DATE 2011-NOV-25
SCALES :
HOR. 1:1000
VERT. _____

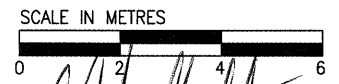


CHANNELIZED INTERSECTION FOR WB-20
3 CENTERED CURVE DETAILS
TURNING BAYS

APPROVED
[Signature]
GENERAL MANAGER
[Signature]
ENGINEER
[Signature]
ENGINEER
PLAN NO. 102-0029-001r005



- NOTE:
- PATHWAY AS PER THE TRANSPORTATION PLAN (IF REQUIRED).
 - SOUND ATTENUATION MEASURES SHALL BE DETERMINED IN NOISE ANALYSIS.
 - FENCING OR OTHER BARRIER SHALL BE PROVIDED ALONG ENTIRE RIGHT-OF-WAY.
 - DRAINAGE AGGREGATE TO BE ENVELOPED BY NON-WOVEN GEOTEXTILE FOR SUBDRAIN OR FULL DRAINAGE LAYER.
 - SUBDRAIN TO BE CONNECTED TO CATCHBASIN AS PER DRAWING 102-0010-015.



REVISIONS	
1	ADD SUBDRAIN, DRAINAGE LAYER AND NOTES 2014-DEC-15 HLO
2	RELOCATE SUBDRAIN TO LOWEST POINT 2015-DEC-31 HLO
3	

DRAWN BY LCI

DATE 2009-06-18

SCALES :

HOR. 1:150

VERT. 1:75

City of Saskatoon
Transportation & Utilities Department

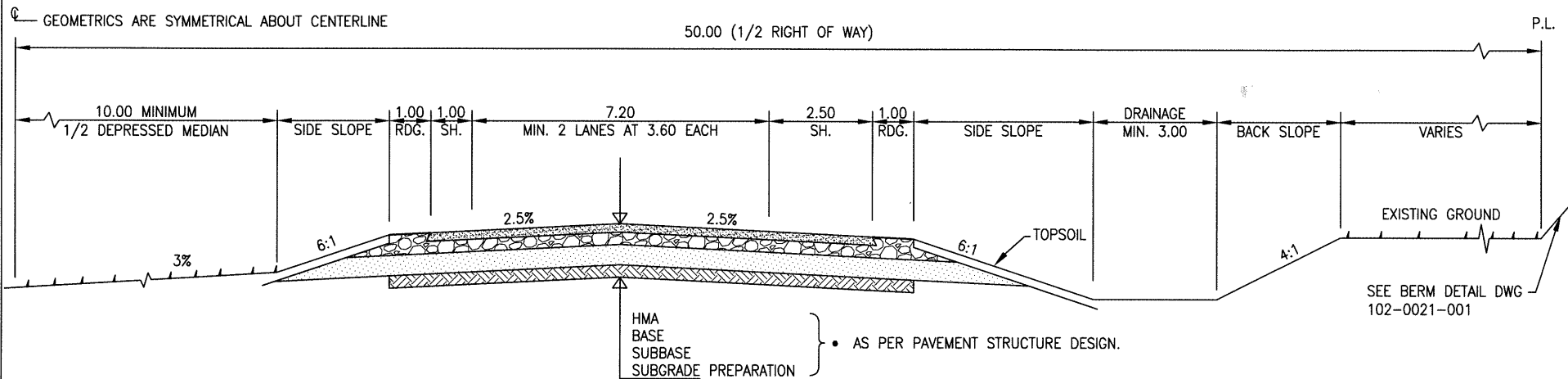
FREEWAY / EXPRESSWAY
URBAN CROSS SECTION

CHIEF ENGINEER JAN 08 2016
DATE

ENGINEER

ENGINEER

PLAN NO. 102-0029-002r003



NOTE:

- PATHWAY AS PER THE TRANSPORTATION PLAN (IF REQUIRED).
- SOUND ATTENUATION MEASURES SHALL BE DETERMINED IN NOISE ANALYSIS.
- FENCING OR OTHER BARRIER SHALL BE PROVIDED ALONG ENTIRE RIGHT-OF-WAY.

SCALE IN METRES



REVISIONS	
1	CHANGE SUBGRADE HATCH 2014-DEC-15 HLO
2	
3	
DRAWN BY <u>LCI</u>	
DATE <u>2009-05-08</u>	
SCALES :	
HOR.	<u>1:150</u>
VERT.	<u>1:75</u>



**City of
Saskatoon**

Transportation & Utilities Department

FREEWAY / EXPRESSWAY
RURAL CROSS SECTION
WITHOUT DRAINAGE LAYER

APPROVED

ENGINEER

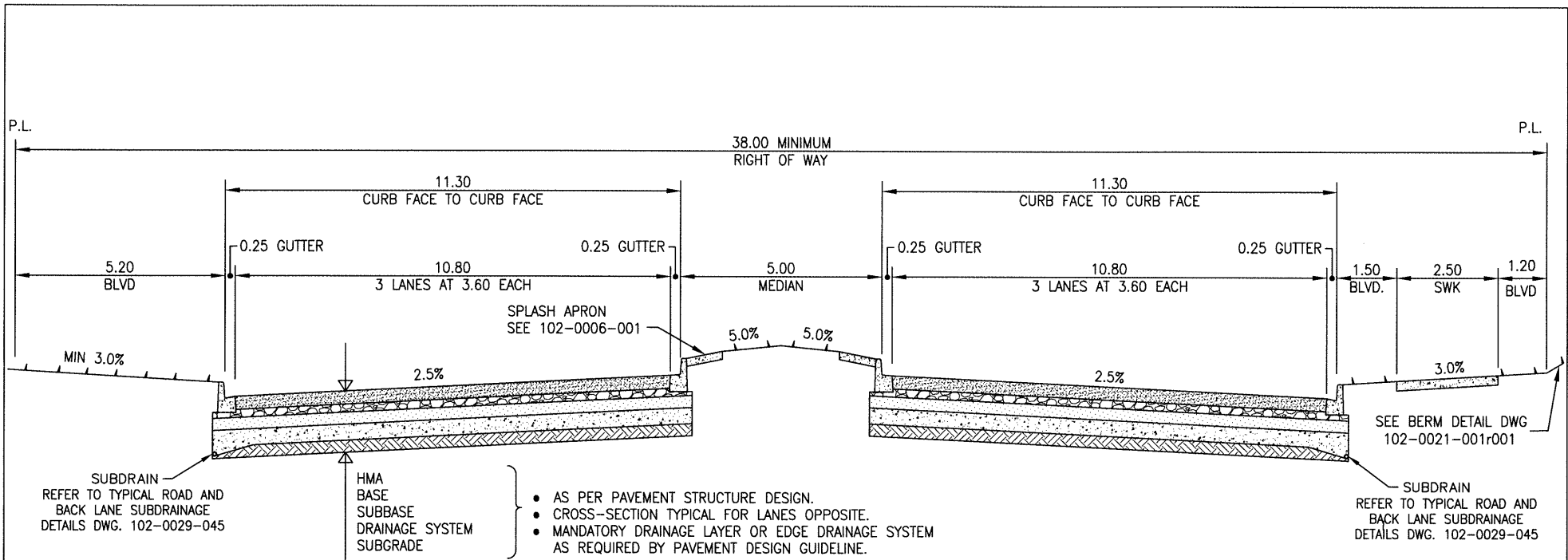
ENGINEER

ENGINEER

PLAN NO.

[Handwritten signatures]

102-0029-003r002



- AS PER PAVEMENT STRUCTURE DESIGN.
- CROSS-SECTION TYPICAL FOR LANES OPPOSITE.
- MANDATORY DRAINAGE LAYER OR EDGE DRAINAGE SYSTEM AS REQUIRED BY PAVEMENT DESIGN GUIDELINE.

BIKEWAY INCLUSION

CLASS A BIKEWAY / CLASS D PEDESTRAIN SIDEWALK

- TWO WAY, SHARED WITH PEDESTRAINS
- OFFSET FROM ROADWAY, ONE SIDE, 3.0 m WIDE ASPHALT PATHWAY
- ADJUST BORDER AREA

OR

CLASS B BIKEWAY

- ONE WAY 1.50m EXCLUSIVE USE LANE
- ON ROADWAY BOTH SIDES, MARKED PAVEMENT
- MIN 1.50m BOULEVARD

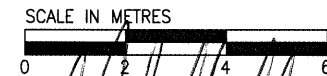
OR

CLASS C BIKEWAY

- SHARED ROADWAY 4.50m RIGHT LANE, ONE WAY
- ON ROADWAY BOTH SIDES, UNMARKED BUT SIGNED
- ADJUST BORDER AREA

NOTE:

- PATHWAY AS PER THE TRANSPORTATION PLAN (IF REQUIRED).
- SOUND ATTENUATION MEASURES SHALL BE DETERMINED IN NOISE ANALYSIS.
- FENCING OR OTHER BARRIER SHALL BE PROVIDED ALONG ENTIRE RIGHT-OF-WAY.
- FOR INCLUSION OF BERM INTO DESIGN SEE DWG DETAIL.
- IN ALL CASES, SUBDRAIN ALWAYS REQUIRED ON LOW SIDE OF CROSSFALL (i.e.) SUPERELEVATION.
- DRAINAGE AGGREGATE TO BE ENVELOPED BY NON-WOVEN GEOTEXTILE FOR SUBDRAIN OR FULL DRAINAGE LAYER.
- SUBDRAIN TO BE CONNECTED TO CATCHBASIN AS PER DRAWING 102-0010-015.



REVISIONS	
1	ADD SUBDRAIN, DRAINAGE LAYER AND NOTES 2014-DEC-15 HLO
2	RELOCATE SUBDRAIN TO LOWEST POINT 2015-DEC-31 HLO
3	

DRAWN BY LCI
DATE 2009-06-18

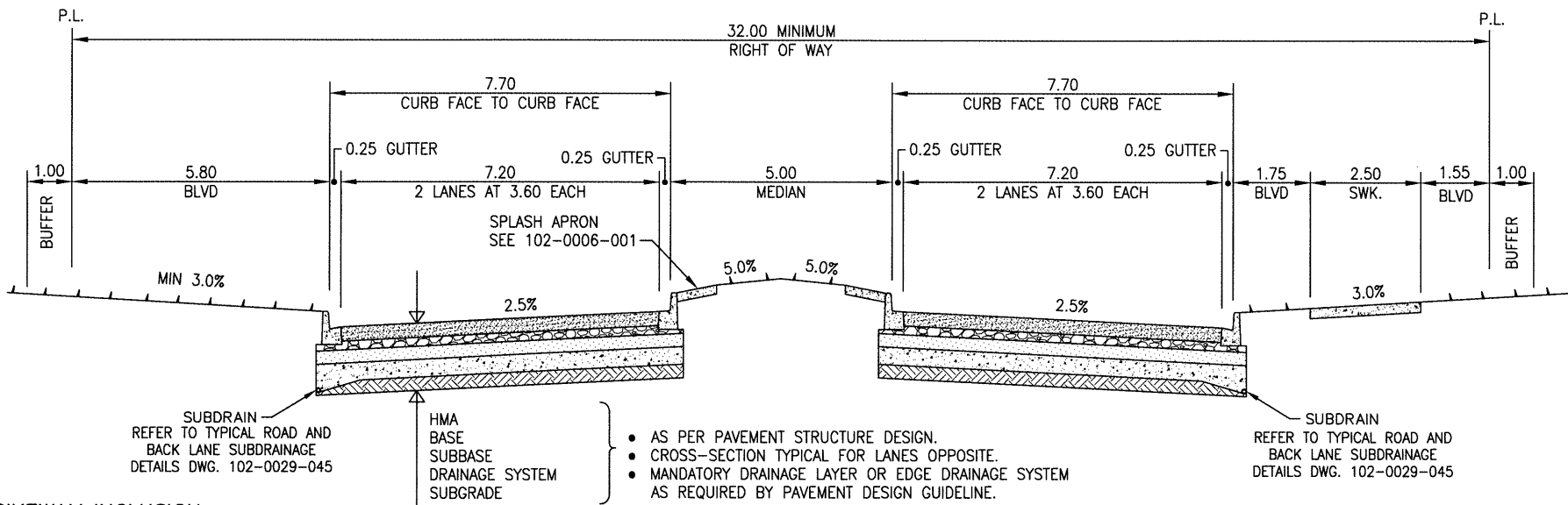
SCALES :
HOR. 1:150
VERT. 1:75



City of Saskatoon
Transportation & Utilities Department

ARTERIAL CLASS 'A'

CHIEF ENGINEER	DATE
	JAN 08 2016
ENGINEER	
PLAN NO.	102-0029-004r003



BIKEWAY INCLUSION

CLASS A BIKEWAY / CLASS D PEDESTRAIN SIDEWALK

- TWO WAY, SHARED WITH PEDESTRAINS
- OFFSET FROM ROADWAY, ONE SIDE, 3.0 m WIDE ASPHALT PATHWAY
- ADJUST BORDER AREA

OR

CLASS B BIKEWAY

- ONE WAY 1.50m EXCLUSIVE USE LANE
- ON ROADWAY BOTH SIDES, MARKED PAVEMENT
- MIN 1.50m BOULEVARD

OR

CLASS C BIKEWAY

- SHARED ROADWAY 4.50m RIGHT LANE, ONE WAY
- ON ROADWAY BOTH SIDES, UNMARKED BUT SIGNED
- ADJUST BORDER AREA

NOTE:

- SOUND ATTENUATION MEASURES SHALL BE DETERMINED IN NOISE ANALYSIS.
- FENCING OR OTHER BARRIER SHALL BE PROVIDED ALONG ENTIRE RIGHT-OF-WAY.
- FOR STAGED CONSTRUCTION, INITIAL TWO-LANE UNDIVIDED ARTERIAL SHALL BE 4.0m LANE WIDTHS.
- IN ALL CASES, SUBDRAIN ALWAYS REQUIRED ON LOW SIDE OF CROSSFALL (i.e.) SUPERELEVATION.
- DRAINAGE AGGREGATE TO BE ENVELOPED BY NON-WOVEN GEOTEXTILE FOR SUBDRAIN OR FULL DRAINAGE LAYER.
- SUBDRAIN TO BE CONNECTED TO CATCHBASIN AS PER DRAWING 102-0010-015.



REVISIONS	
1	ADD SUBDRAIN, DRAINAGE LAYER AND NOTES 2014-DEC-15 HLO
2	RELOCATE SUBDRAIN TO LOWEST POINT 2015-DEC-31 HLO
3	

DRAWN BY LCI
 DATE 2009-06-18
 SCALES :
 HOR. 1:150
 VERT. 1:75



ARTERIAL CLASS 'B'

SCALE IN METRES

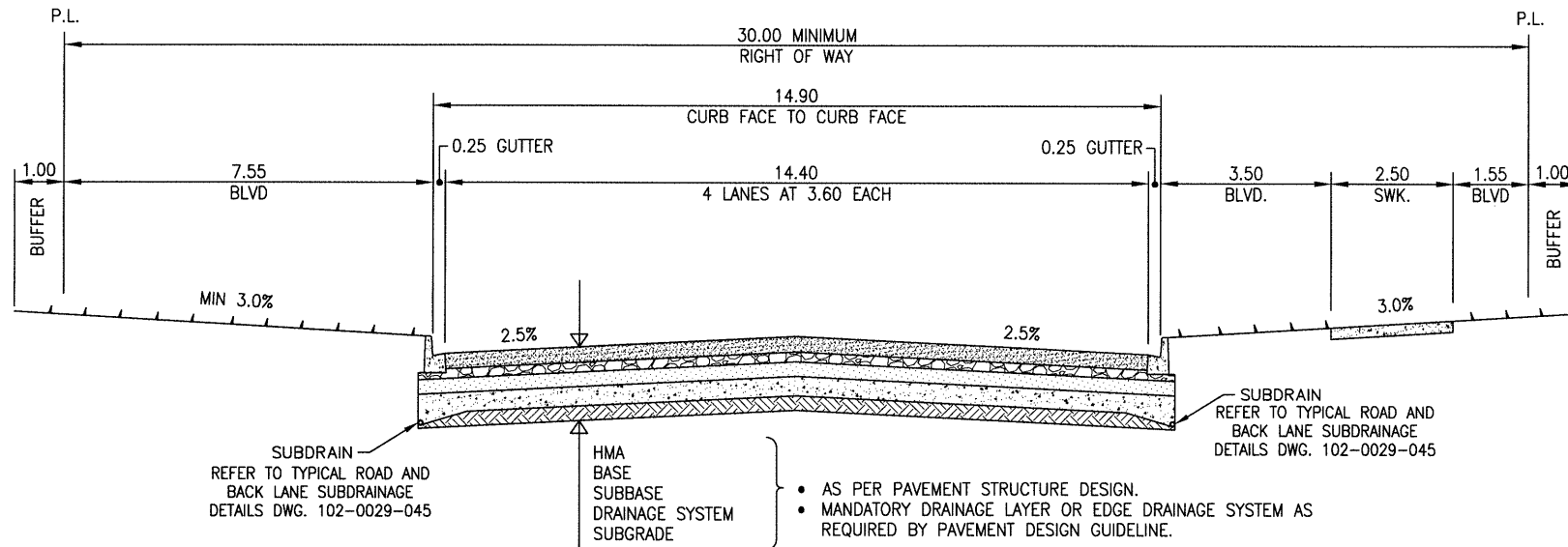
0 2 4 6

CHIEF ENGINEER
 [Signature]
 DATE JAN 08 2016

ENGINEER
 [Signature]

ENGINEER

PLAN NO. 102-0029-005r003



BIKEWAY INCLUSION

CLASS A BIKEWAY / CLASS D PEDESTRAIN SIDEWALK

- TWO WAY, SHARED WITH PEDESTRAINS
- OFFSET FROM ROADWAY, ONE SIDE, 3.0 m WIDE ASPHALT PATHWAY
- ADJUST BORDER AREA

OR

CLASS B BIKEWAY

- ONE WAY 1.50m EXCLUSIVE USE LANE
- ON ROADWAY BOTH SIDES, MARKED PAVEMENT
- MIN 1.50m BOULEVARD

OR

CLASS C BIKEWAY

- SHARED ROADWAY 4.50m RIGHT LANE, ONE WAY
- ON ROADWAY BOTH SIDES, UNMARKED BUT SIGNED
- ADJUST BORDER AREA

NOTE:

- SOUND ATTENUATION MEASURES SHALL BE DETERMINED IN NOISE ANALYSIS.
- FENCING OR OTHER BARRIER SHALL BE PROVIDED ALONG ENTIRE RIGHT-OF-WAY.
- DRAINAGE AGGREGATE TO BE ENVELOPED BY NON-WOVEN GEOTEXTILE FOR SUBDRAIN OR FULL DRAINAGE LAYER.
- SUBDRAIN TO BE CONNECTED TO CATCHBASIN AS PER DRAWING 102-0010-015.

SCALE IN METRES



REVISIONS	
1	ADD SUBDRAIN, DRAINAGE LAYER AND NOTES 2014-DEC-15 HLO
2	RELOCATE SUBDRAIN TO LOWEST POINT 2015-DEC-31 HLO
3	

DRAWN BY LCI

DATE 2009-06-18

SCALES :

HOR. 1:150

VERT. 1:75



City of Saskatoon

Transportation & Utilities Department

ARTERIAL CLASS 'C'

CHIEF ENGINEER

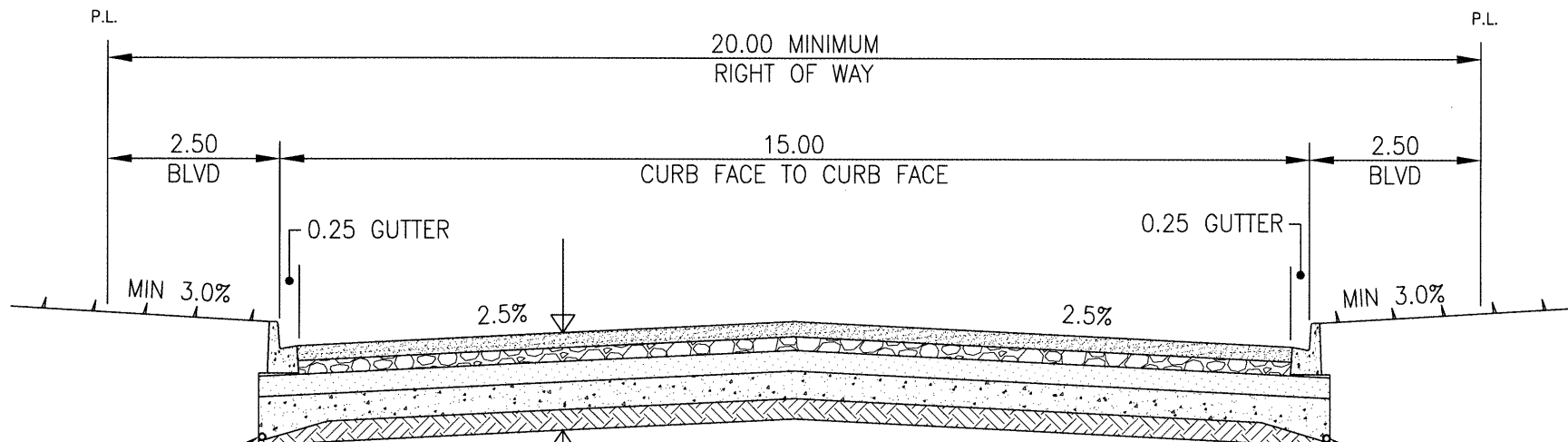
JAN 08 2016

DATE

ENGINEER

ENGINEER

PLAN NO. 102-0029-006r003



SUBDRAIN
REFER TO TYPICAL ROAD AND
BACK LANE SUBDRAINAGE
DETAILS DWG. 102-0029-045

HMA
BASE
SUBBASE
DRAINAGE SYSTEM
SUBGRADE

- AS PER PAVEMENT STRUCTURE DESIGN.
- MANDATORY DRAINAGE LAYER OR EDGE DRAINAGE SYSTEM AS REQUIRED BY PAVEMENT DESIGN GUIDELINE.

SUBDRAIN
REFER TO TYPICAL ROAD AND
BACK LANE SUBDRAINAGE
DETAILS DWG. 102-0029-045

NOTE:

- 4.0 m THROUGH LANE
- 3.5 m PARKING / STORAGE LANE FOR RIGHT TURN
- DRAINAGE AGGREGATE TO BE ENVELOPED BY NON-WOVEN GEOTEXTILE FOR SUBDRAIN OR FULL DRAINAGE LAYER.
- SUBDRAIN TO BE CONNECTED TO CATCHBASIN AS PER DRAWING 102-0010-015.



REVISIONS	
1	ADD SUBDRAIN, DRAINAGE LAYER AND NOTES 2014-DEC-15 HLO
2	RELOCATE SUBDRAIN TO LOWEST POINT 2015-DEC-31 HLO
3	






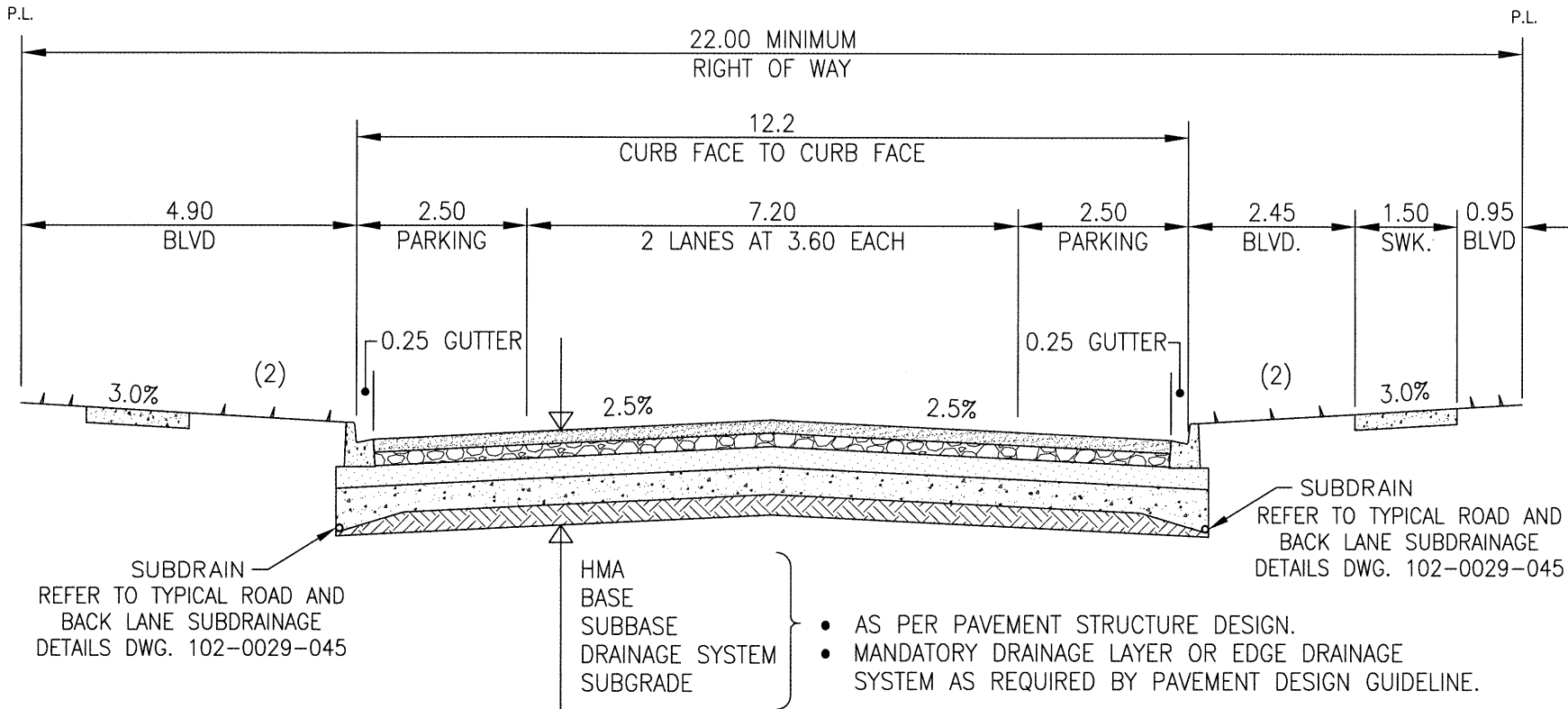
**City of
Saskatoon**

Transportation & Utilities Department

INDUSTRIAL ROADWAY

DRAWN BY LCI
DATE 2009-06-18
SCALES :
HOR. 1:100
VERT. 1:50

CHIEF ENGINEER 
DATE JAN 08 2016
ENGINEER 
ENGINEER 
PLAN NO. 102-0029-007r003



NOTE:

- DRAINAGE AGGREGATE TO BE ENVELOPED BY NON-WOVEN GEOTEXTILE FOR SUBDRAIN OR FULL DRAINAGE LAYER.
- SUBDRAIN TO BE CONNECTED TO CATCHBASIN AS PER DRAWING 102-0010-015.

- (2) BACK OF CURB TO FRONT OF WALK DISTANCE FOR LANDSCAPING
ROLLED CURB & GUTTER 2.10 m
VERTICAL CURB & GUTTER 2.30 m



REVISIONS	
1	ADD SUBDRAIN, DRAINAGE LAYER AND NOTES 2014-DEC-15 HLO
2	RELOCATE SUBDRAIN TO LOWEST POINT 2015-DEC-31 HLO
3	

DRAWN BY LCI
DATE 2009-06-18

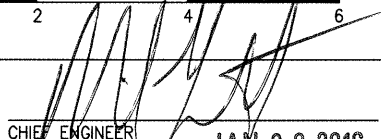
SCALES :
HOR. 1:100
VERT. 1:50

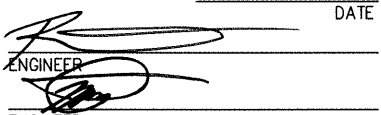


City of Saskatoon

Transportation & Utilities Department

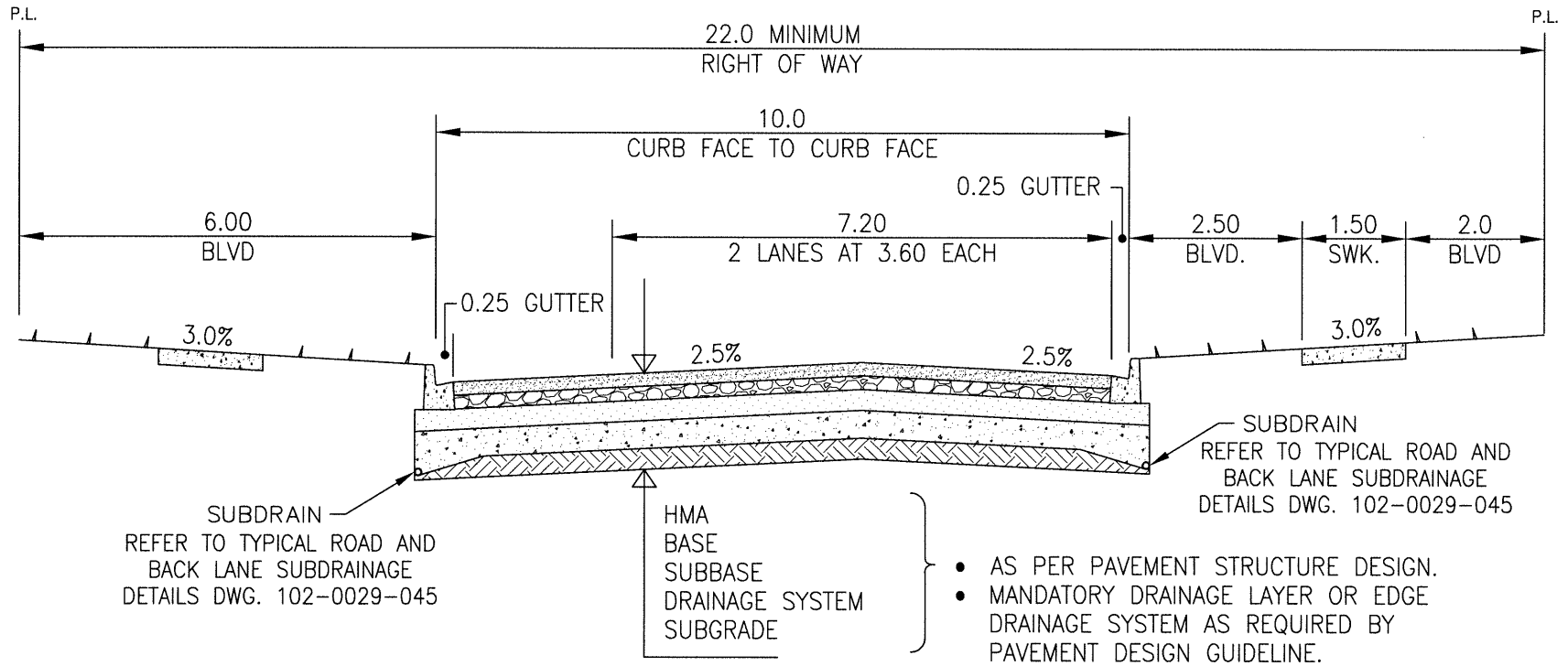
COLLECTOR CLASS 'A'

CHIEF ENGINEER  **JAN 08 2016**
DATE

ENGINEER 

ENGINEER

PLAN NO. 102-0029-008r003



NOTE:

- DRAINAGE AGGREGATE TO BE ENVELOPED BY NON-WOVEN GEOTEXTILE FOR SUBDRAIN OR FULL DRAINAGE LAYER.
- SUBDRAIN TO BE CONNECTED TO CATCHBASIN AS PER DRAWING 102-0010-015.



REVISIONS	
1	ADD SUBDRAIN, DRAINAGE LAYER AND NOTES 2014-DEC-15 HLO
2	RELOCATE SUBDRAIN TO LOWEST POINT 2015-DEC-31 HLO
3	

DRAWN BY LCI
DATE 2009-06-18

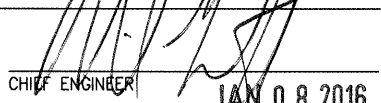
SCALES :
HOR. 1:100
VERT. 1:50

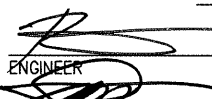


**City of
Saskatoon**

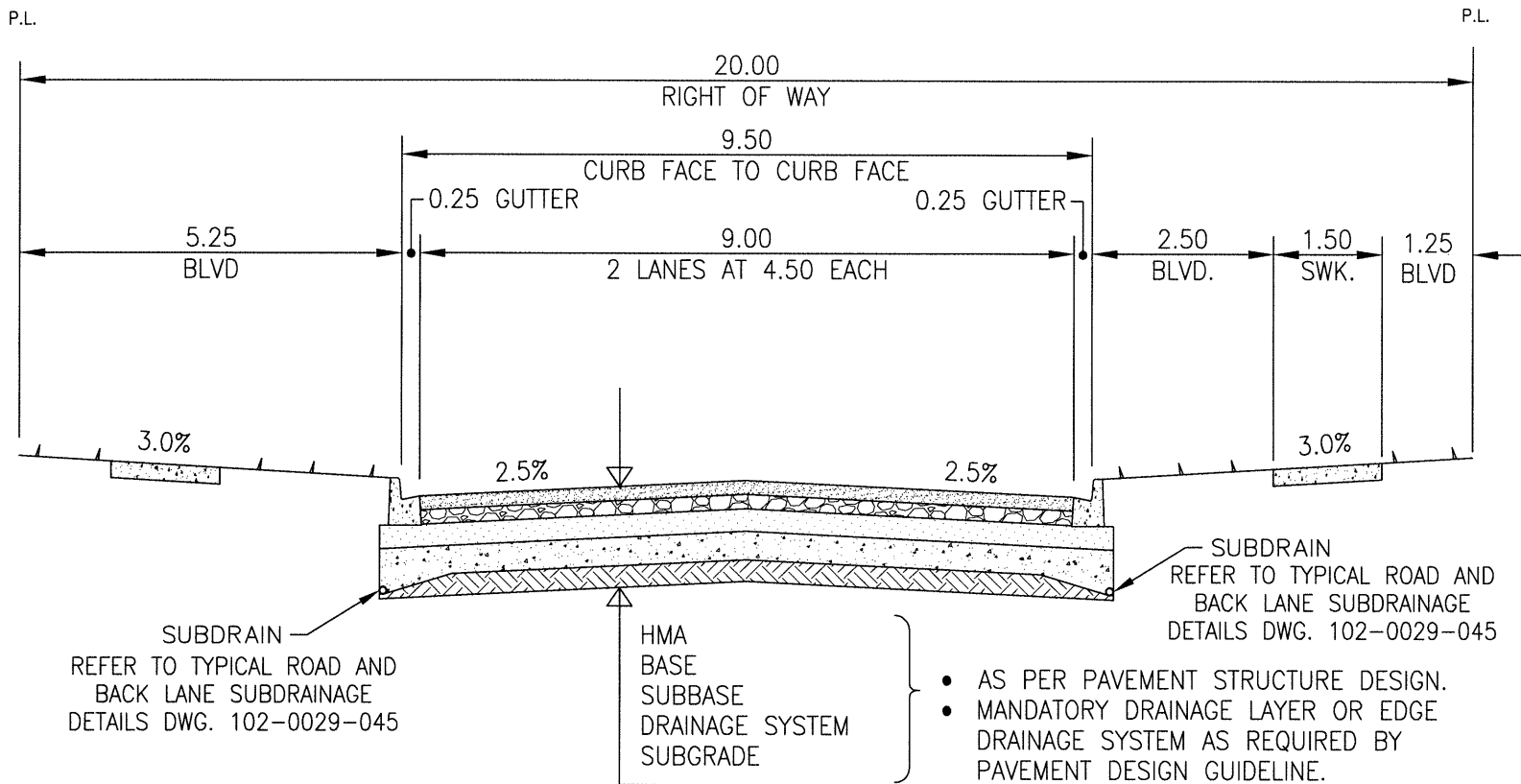
Transportation & Utilities Department

COLLECTOR CLASS 'B'

CHIEF ENGINEER 
DATE JAN 08 2016

ENGINEER 
ENGINEER

PLAN NO. 102-0029-009r003



NOTE:

- DRAINAGE AGGREGATE TO BE ENVELOPED BY NON-WOVEN GEOTEXTILE FOR SUBDRAIN OR FULL DRAINAGE LAYER.
- SUBDRAIN TO BE CONNECTED TO CATCHBASIN AS PER DRAWING 102-0010-015.



REVISIONS	
1	ADD SUBDRAIN, DRAINAGE LAYER AND NOTES 2014-DEC-15 HLO
2	RELOCATE SUBDRAIN TO LOWEST POINT 2015-DEC-31 HLO
3	
DRAWN BY LCI	
DATE 2009-06-18	
SCALES :	
HOR. 1:100	
VERT. 1:50	

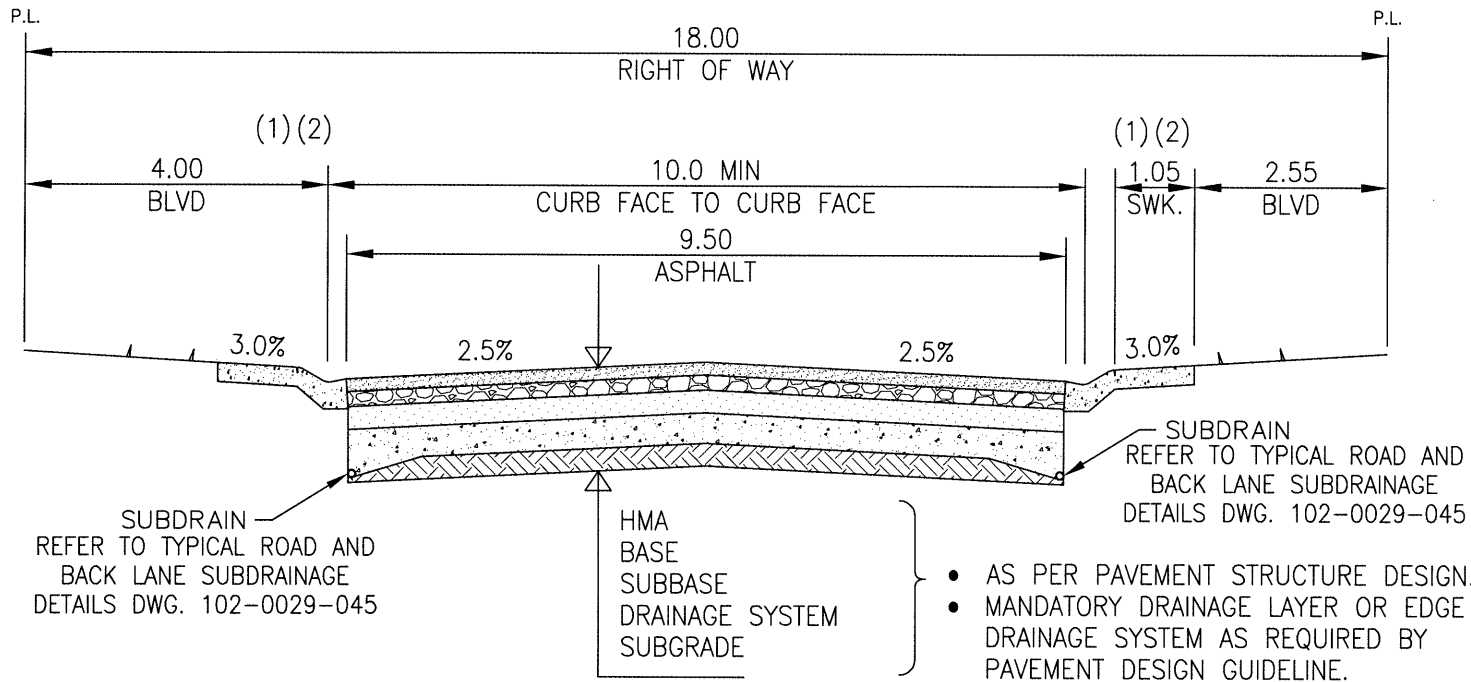


**City of
Saskatoon**

Transportation & Utilities Department

COLLECTOR CLASS 'C'

CHIEF ENGINEER	JAN 08 2016 DATE
ENGINEER	
ENGINEER	
PLAN NO.	102-0029-010r003



NOTE:

- WHERE BACK LANES WILL BE PROVIDED STRAIGHT FACE CURB & GUTTER SHALL BE USED.
- WHERE BACK LANES WILL NOT BE PROVIDED ROLLED CURB & GUTTER SHALL BE USED.
- WHERE CURB FRONTS A PARK OR SCHOOL STRAIGHT FACE CURB & GUTTER SHALL BE USED.
- DRAINAGE AGGREGATE TO BE ENVELOPED BY NON-WOVEN GEOTEXTILE FOR SUBDRAIN OR FULL DRAINAGE LAYER.
- SUBDRAIN TO BE CONNECTED TO CATCHBASIN AS PER DRAWING 102-0010-015.

- (1) RC&G WITH 1050 mm SIDEWALK
VC&G WITH 1200 mm SIDEWALK
- (2) FOR DIMENSIONS SEE:
VC&G 102-0002-029
RC&G 102-0002-030



REVISIONS	
1	ADD SUBDRAIN, DRAINAGE LAYER AND NOTES 2014-DEC-15 HLO
2	RELOCATE SUBDRAIN TO LOWEST POINT 2015-DEC-31 HLO
3	

DRAWN BY LCI
DATE 2009-06-18

SCALES :
HOR. 1:100
VERT. 1:50



**City of
Saskatoon**

Transportation & Utilities Department

LOCAL CLASS 'A'

CHIEF ENGINEER

JAN 08 2016

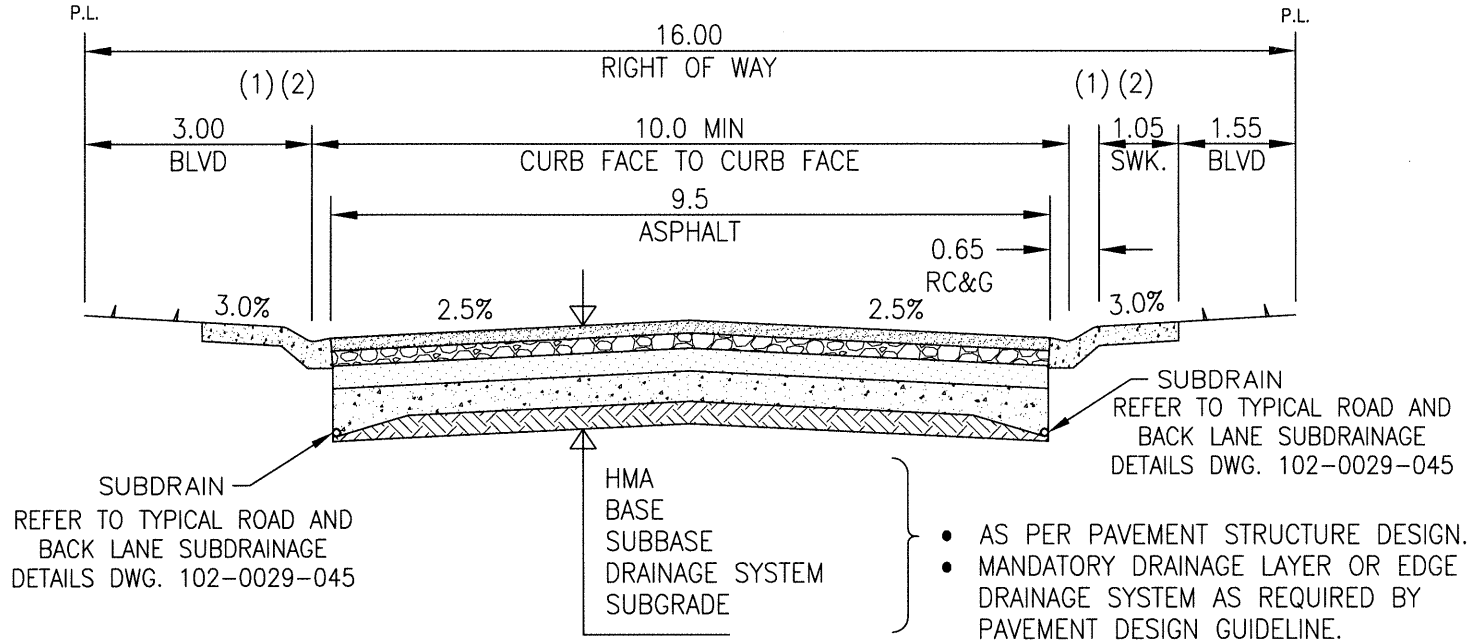
DATE

ENGINEER

ENGINEER

PLAN NO.

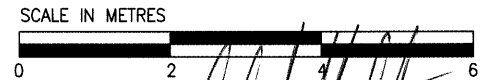
102-0029-011r003



NOTE:

- WHERE BACK LANES WILL BE PROVIDED STRAIGHT FACE CURB & GUTTER SHALL BE USED.
- WHERE BACK LANES WILL NOT BE PROVIDED ROLLED CURB & GUTTER SHALL BE USED.
- WHERE CURB FRONTS A PARK OR SCHOOL STRAIGHT FACE CURB & GUTTER SHALL BE USED.
- DRAINAGE AGGREGATE TO BE ENVELOPED BY NON-WOVEN GEOTEXTILE FOR SUBDRAIN OR FULL DRAINAGE LAYER.
- SUBDRAIN TO BE CONNECTED TO CATCHBASIN AS PER DRAWING 102-0010-015.

- (1) RC&G WITH 1050 mm SIDEWALK
VC&G WITH 1200 mm SIDEWALK
- (2) FOR DIMENSIONS SEE:
VC&G 102-0002-029
RC&G 102-0002-030



REVISIONS	
1	ADD SUBDRAIN, DRAINAGE LAYER AND NOTES 2014-DEC-15 HLO
2	RELOCATE SUBDRAIN TO LOWEST POINT 2015-DEC-31 HLO
3	
DRAWN BY LCI	
DATE 2009-06-18	
SCALES :	
HOR. 1:100	
VERT. 1:50	



City of Saskatoon

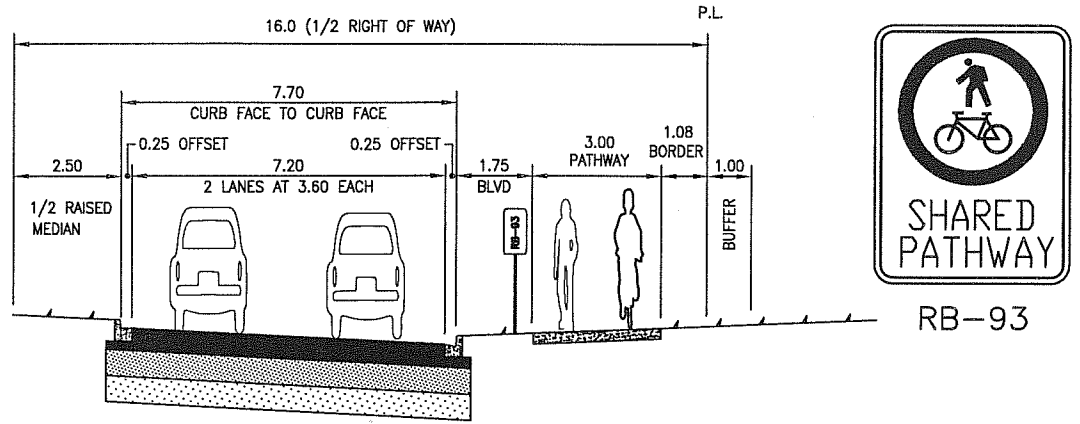
Transportation & Utilities Department

LOCAL CLASS 'B'
LENGTH OF 500 m OR LESS

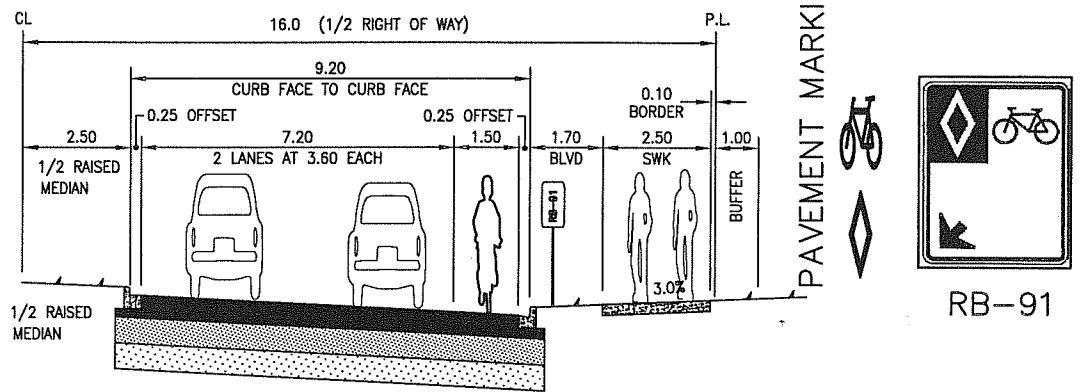
CHIEF ENGINEER
 JAN 08 2016
 DATE

 ENGINEER

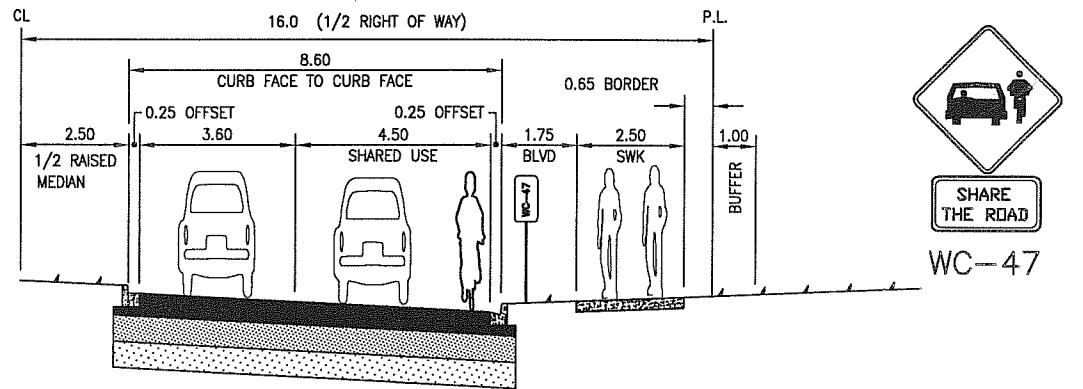
 ENGINEER
 PLAN NO. 102-0029-012r003



BIKEWAY CLASS A



BIKEWAY CLASS B



BIKEWAY CLASS C

REVISIONS	
1	
2	
3	

DRAWN BY LCI

DATE 2009-04-26

SCALES :
 HOR. 1:175
 VERT. _____

City of Saskatoon
 Infrastructure Services Department

BIKEWAYS CLASS A, B, C

APPROVED

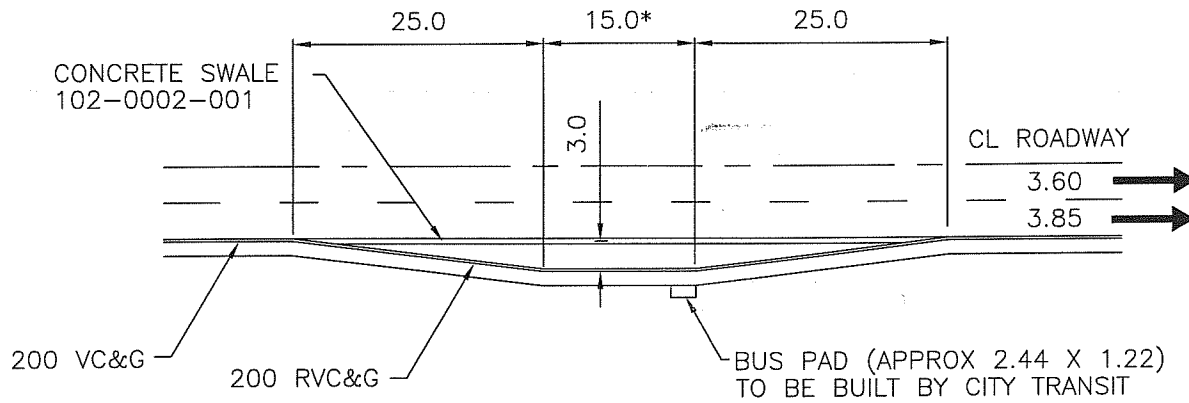
[Signature]
 GENERAL MANAGER

[Signature]
 ENGINEER

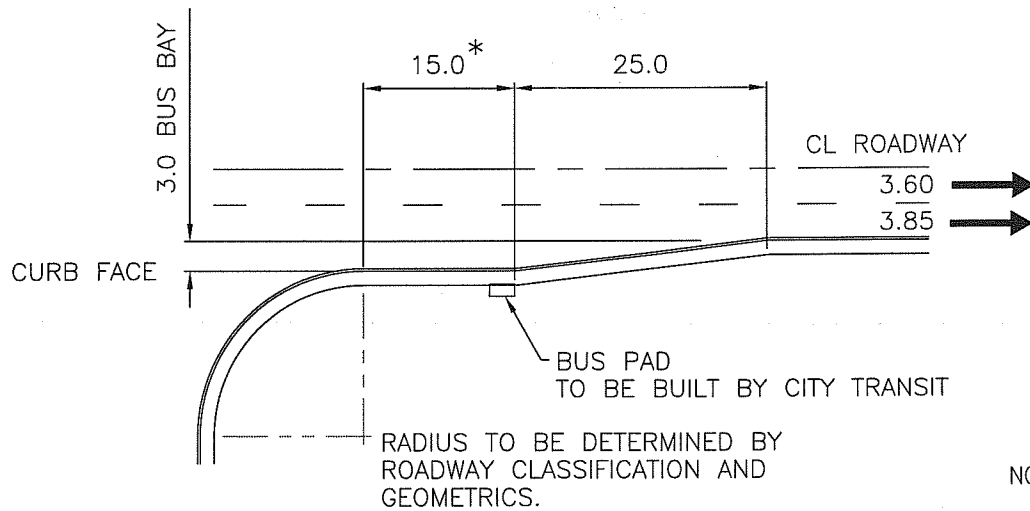
[Signature]
 ENGINEER

PLAN NO. 102-0029-013r001

E:\2008 Development Standards\1020029013r001_UKN.dwg, 1020029013, 2009/05/11 7:18:32 AM



MID BLOCK TYPE



CORNER TYPE

NOTES:

* DIMENSIONS ACCOMMODATE A SINGLE CITY BUS.

SCALE IN METRES



REVISIONS	
1	
2	
3	
DRAWN BY <u>LCI</u>	
DATE <u>2009-05-08</u>	
SCALES :	
HOR. <u>1:75</u>	
VERT. _____	



City of Saskatoon
Infrastructure Services Department

BUS BAY TURNOUT

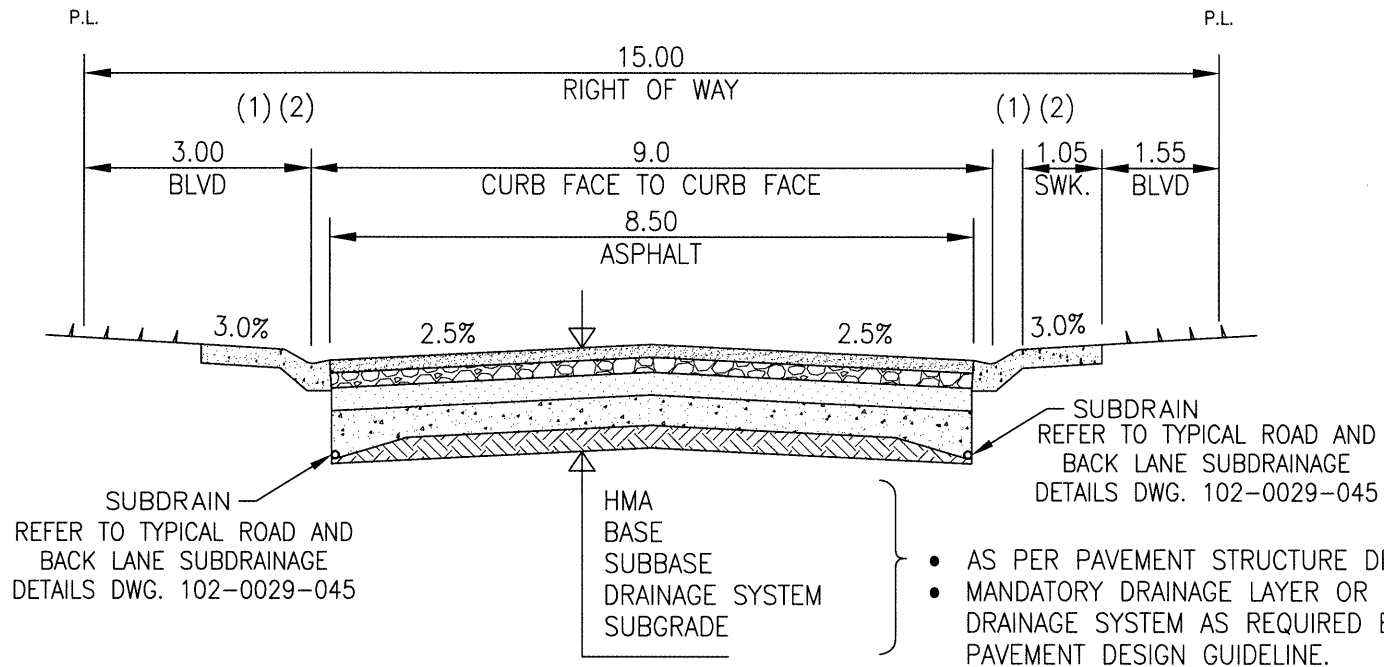
APPROVED

 GENERAL MANAGER

 ENGINEER

 ENGINEER

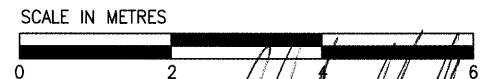
 PLAN NO. 102-0029-014r001



NOTE:

- WHERE BACK LANES WILL BE PROVIDED STRAIGHT FACE CURB & GUTTER SHALL BE USED.
- WHERE BACK LANES WILL NOT BE PROVIDED ROLLED CURB & GUTTER SHALL BE USED.
- WHERE CURB FRONTS A PARK OR SCHOOL STRAIGHT FACE CURB & GUTTER SHALL BE USED.
- DRAINAGE AGGREGATE TO BE ENVELOPED BY NON-WOVEN GEOTEXTILE FOR SUBDRAIN OR FULL DRAINAGE LAYER.
- SUBDRAIN TO BE CONNECTED TO CATCHBASIN AS PER DRAWING 102-0010-015.

- (1) RC&G WITH 1050 mm SIDEWALK
VC&G WITH 1200 mm SIDEWALK
- (2) FOR DIMENSIONS SEE:
VC&G 102-0002-029
RC&G 102-0002-030



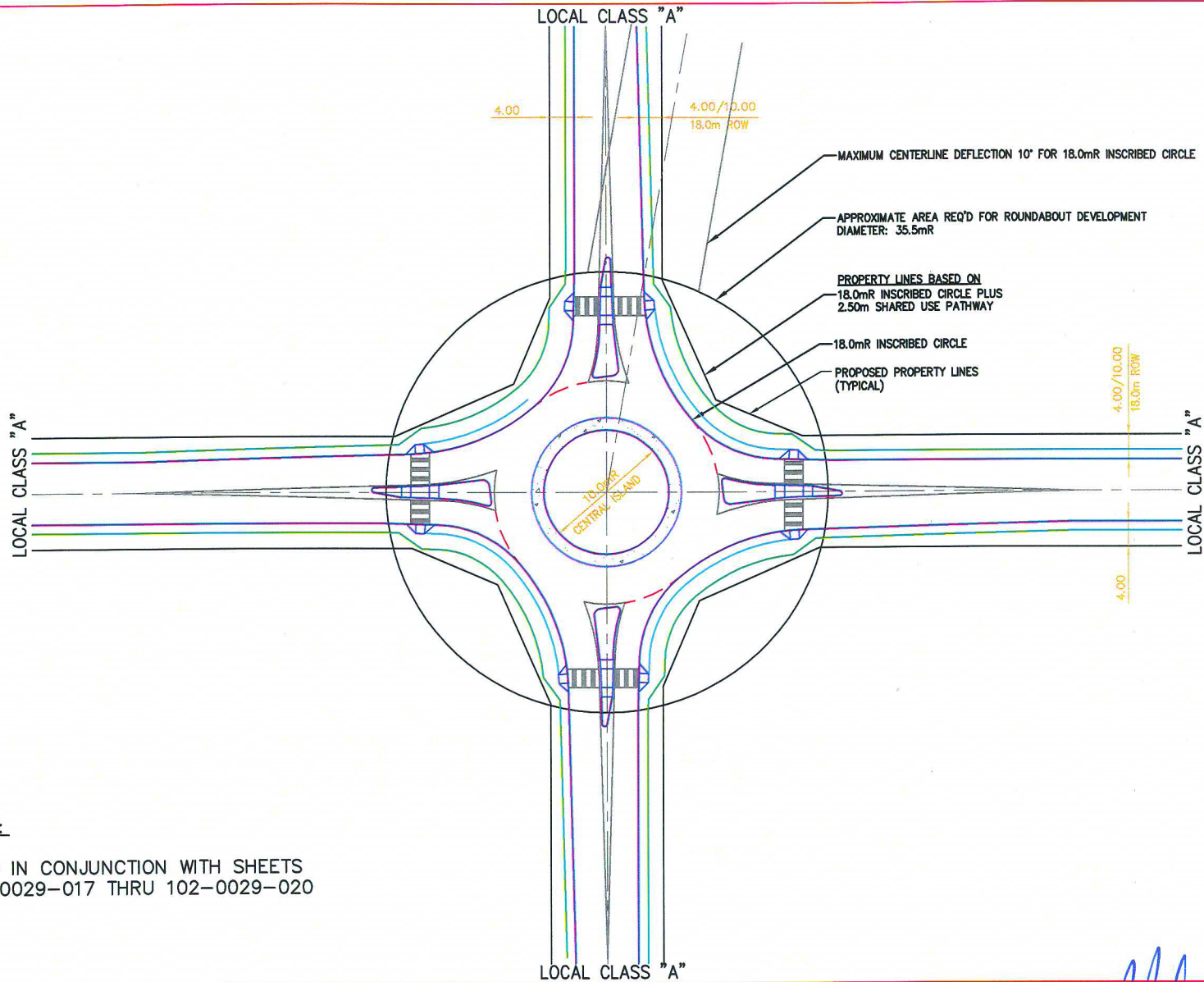
REVISIONS	
1	ADD SUBDRAIN, DRAINAGE LAYER AND NOTES 2014-DEC-15 HLO
2	RELOCATE SUBDRAIN TO LOWEST POINT 2015-DEC-31 HLO
3	
DRAWN BY LCI	
DATE 2009-06-18	
SCALES :	
HOR. 1:100	
VERT. 1:50	



City of Saskatoon
 Transportation & Utilities Department

LOCAL CLASS 'C'
 CUL-DE-SAC

CHIEF ENGINEER
 JAN 08 2016
 DATE
 ENGINEER
 ENGINEER
 PLAN NO. 102-0029-016r003



NOTE:

READ IN CONJUNCTION WITH SHEETS
102-0029-017 THRU 102-0029-020

NOTE:
GEOMETRICS BASED ON WB-15 AS DESIGN
VEHICLE BUT THE DESIGN DOES NOT TAKE INTO
ACCOUNT SPEED OR NECESSARY CLEARANCES
FOR THE WB-15 AS IT IS NOT THE PRIMARY
VEHICLE.

REVISIONS	
1	XXX XXX
2	
3	

DRAWN BY RBY
DATE 2009-OCT-14
SCALES :
HOR. 1:1000
VERT.



ROUNDABOUT FUNCTIONAL DESIGN
ROAD CLASSIFICATION
LOCAL CLASS "A"

APPROVED
[Signature] FEB 23, 10
GENERAL MANAGER
[Signature]
ENGINEER
[Signature]
ENGINEER
PLAN NO. 102-0029-017r001

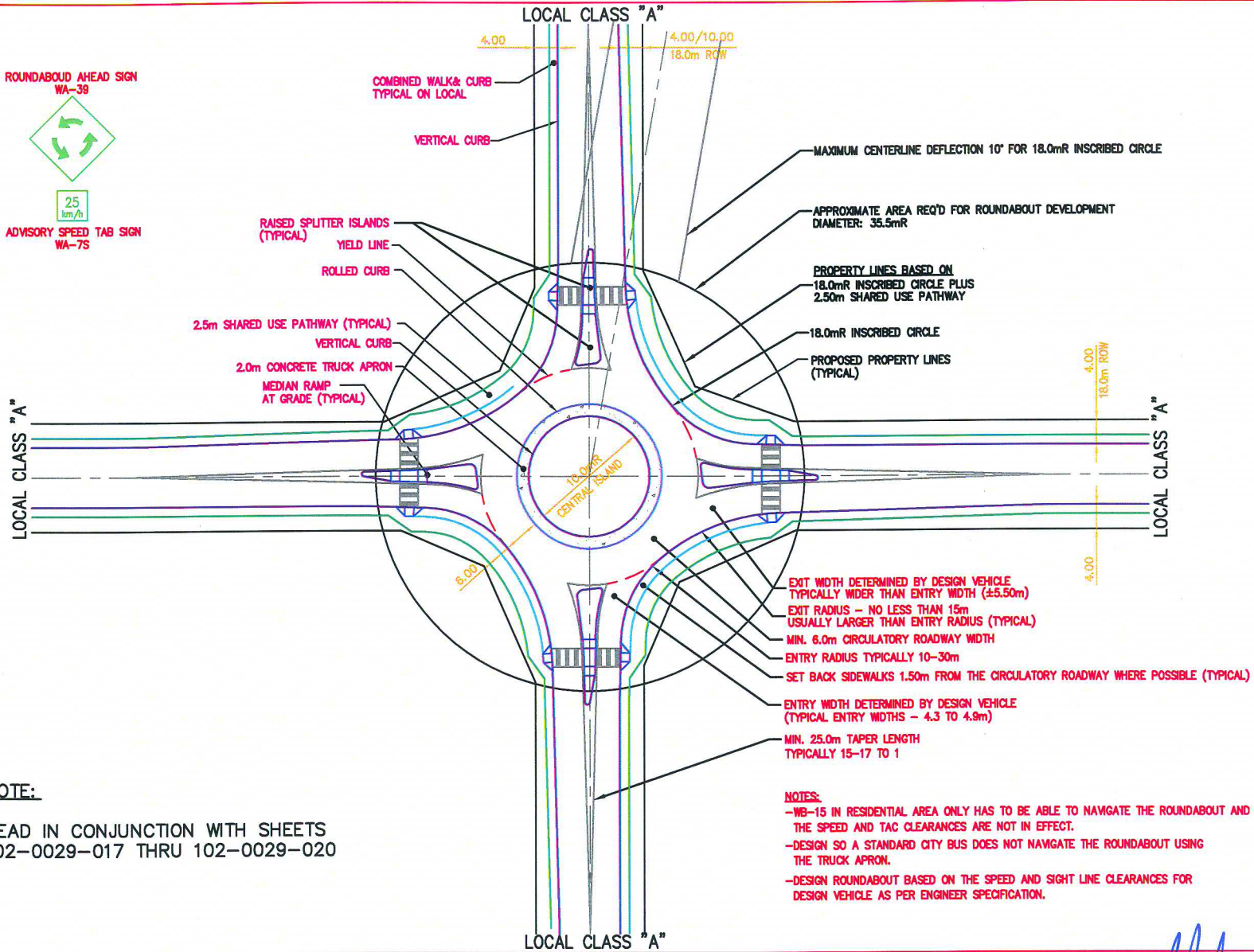
ROUNDBOULT AHEAD SIGN
WA-39



25
km/h

ADVISORY SPEED TAB SIGN
WA-75

LOCAL CLASS "A"



NOTE:

READ IN CONJUNCTION WITH SHEETS
102-0029-017 THRU 102-0029-020

NOTES:

- WB-15 IN RESIDENTIAL AREA ONLY HAS TO BE ABLE TO NAVIGATE THE ROUNDBOULT AND USES THE TRUCK APRON. THE SPEED AND TAC CLEARANCES ARE NOT IN EFFECT.
- DESIGN SO A STANDARD CITY BUS DOES NOT NAVIGATE THE ROUNDBOULT USING THE TRUCK APRON.
- DESIGN ROUNDBOULT BASED ON THE SPEED AND SIGHT LINE CLEARANCES FOR DESIGN VEHICLE AS PER ENGINEER SPECIFICATION.

NOTE:
GEOMETRICS BASED ON WB-15 AS DESIGN VEHICLE BUT THE DESIGN DOES NOT TAKE INTO ACCOUNT SPEED OR NECESSARY CLEARANCES FOR THE WB-15 AS IT IS NOT THE PRIMARY VEHICLE.

REVISIONS	
1	XXX XXX
2	
3	

DRAWN BY RBY
DATE 2009-OCT-14
SCALES :
HOR. 1:1000
VERT. _____



**City of
Saskatoon**
Infrastructure Services Department

ROUNDBOULT DETAILED DESIGN
ROAD CLASSIFICATION
LOCAL CLASS "A"

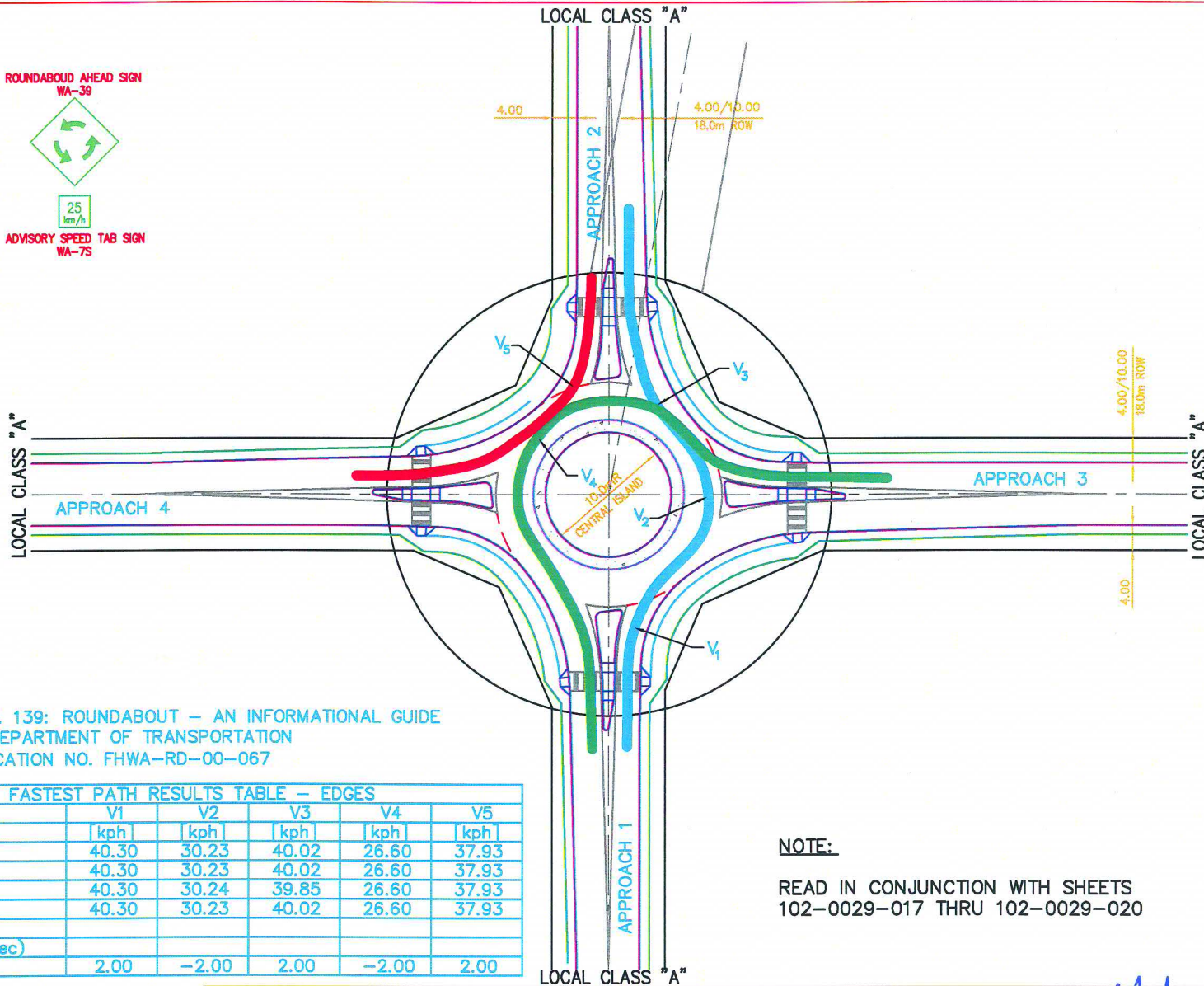
APPROVED	
	FEB 23, 10
GENERAL MANAGER	
ENGINEER	
ENGINEER	
PLAN NO.	102-0029-018r001

ROUNDBOUD AHEAD SIGN
WA-39



25
km/h

ADVISORY SPEED TAB SIGN
WA-75



SEE P. 139: ROUNDBOUD - AN INFORMATIONAL GUIDE
U.S. DEPARTMENT OF TRANSPORTATION
PUBLICATION NO. FHWA-RD-00-067

FASTEST PATH RESULTS TABLE - EDGES

ENTRY LEG	V1	V2	V3	V4	V5
	[kph]	[kph]	[kph]	[kph]	[kph]
1 Approach 1	40.30	30.23	40.02	26.60	37.93
2 Approach 2	40.30	30.23	40.02	26.60	37.93
3 Approach 3	40.30	30.24	39.85	26.60	37.93
4 Approach 4	40.30	30.23	40.02	26.60	37.93
Accel(m/sec/sec)					
SE(%)	2.00	-2.00	2.00	-2.00	2.00

NOTE:

READ IN CONJUNCTION WITH SHEETS
102-0029-017 THRU 102-0029-020

NOTE:
GEOMETRICS BASED ON WB-15 AS DESIGN
VEHICLE BUT THE DESIGN DOES NOT TAKE INTO
ACCOUNT SPEED OR NECESSARY CLEARANCES
FOR THE WB-15 AS IT IS NOT THE PRIMARY
VEHICLE.

REVISIONS

1	xxx xxx
2	
3	

DRAWN BY RBY
DATE 2009-OCT-14
SCALES :
HOR. 1:1000
VERT. _____

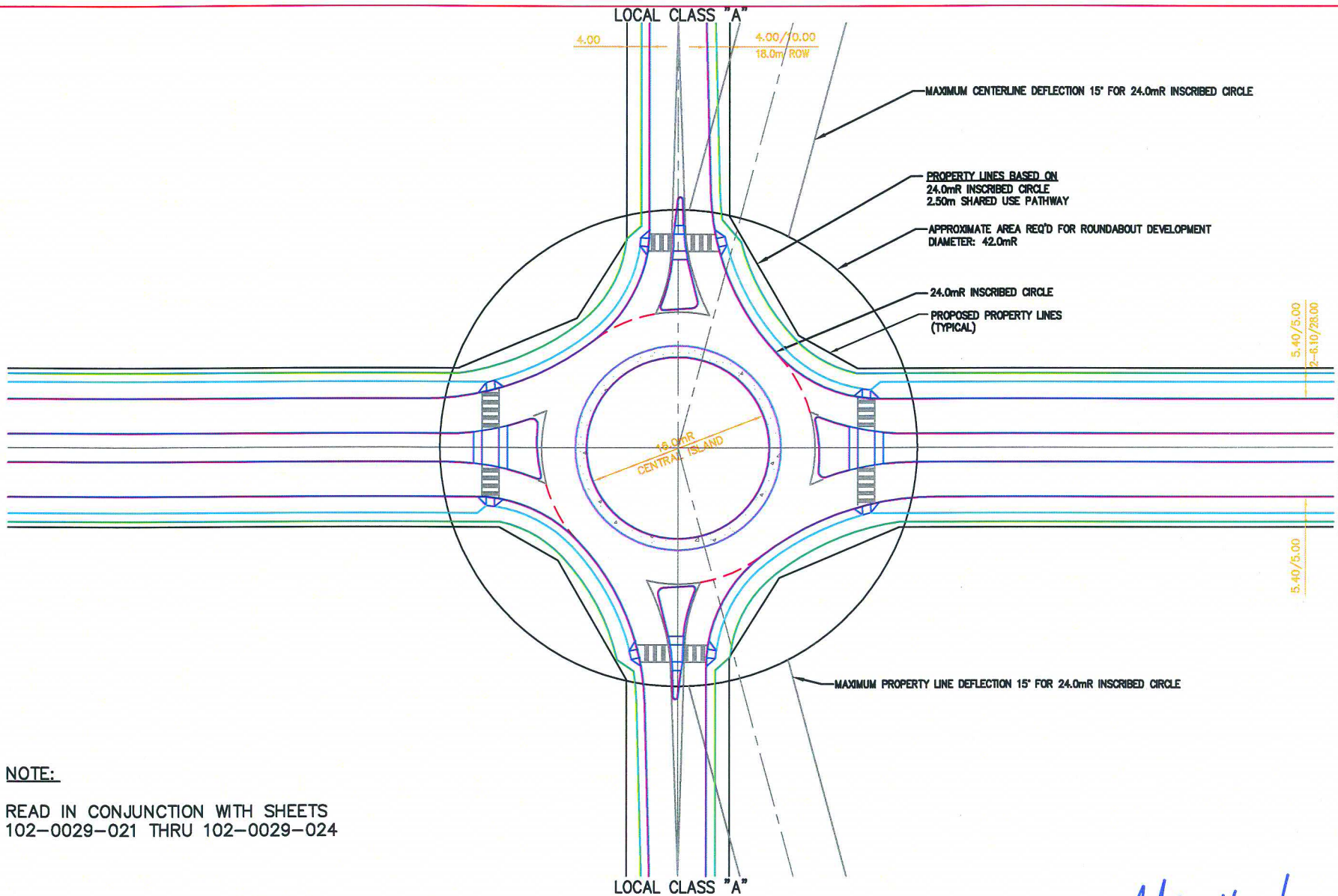


**City of
Saskatoon**
Infrastructure Services Department

ROUNDBOUD OPERATING SPEEDS DESIGN
ROAD CLASSIFICATION
LOCAL CLASS "A"

APPROVED
[Signature] FEB 23, 10
GENERAL MANAGER
ENGINEER
[Signature]
ENGINEER
PLAN NO. 102-0029-020r001

COLLECTOR CLASS "A"
WITH 5.0m RAISED MEDIAN



COLLECTOR CLASS "A"
WITH 5.0m RAISED MEDIAN

NOTE:

READ IN CONJUNCTION WITH SHEETS
102-0029-021 THRU 102-0029-024

NOTE:

GEOMETRICS BASED ON WB-15 AS DESIGN
VEHICLE BUT THE DESIGN DOES NOT TAKE INTO
ACCOUNT SPEED OR NECESSARY CLEARANCES
FOR THE WB-15 AS IT IS NOT THE PRIMARY
VEHICLE.

REVISIONS	
1	XXX XXX
2	
3	

DRAWN BY RBY
DATE 2009-OCT-14
SCALES :
HOR. 1:1000
VERT. _____



**City of
Saskatoon**
Infrastructure Services Department

ROUNDAABOUT FUNCTIONAL DESIGN
ROAD CLASSIFICATION
COLLECTOR CLASS "A" / LOCAL CLASS "A"

APPROVED
[Signature] FEB 23, 10
GENERAL MANAGER
[Signature]
ENGINEER
[Signature]
ENGINEER
PLAN NO. 102-0029-021r001

ROUNDBOUD AHEAD SIGN
WA-39



30
km/h

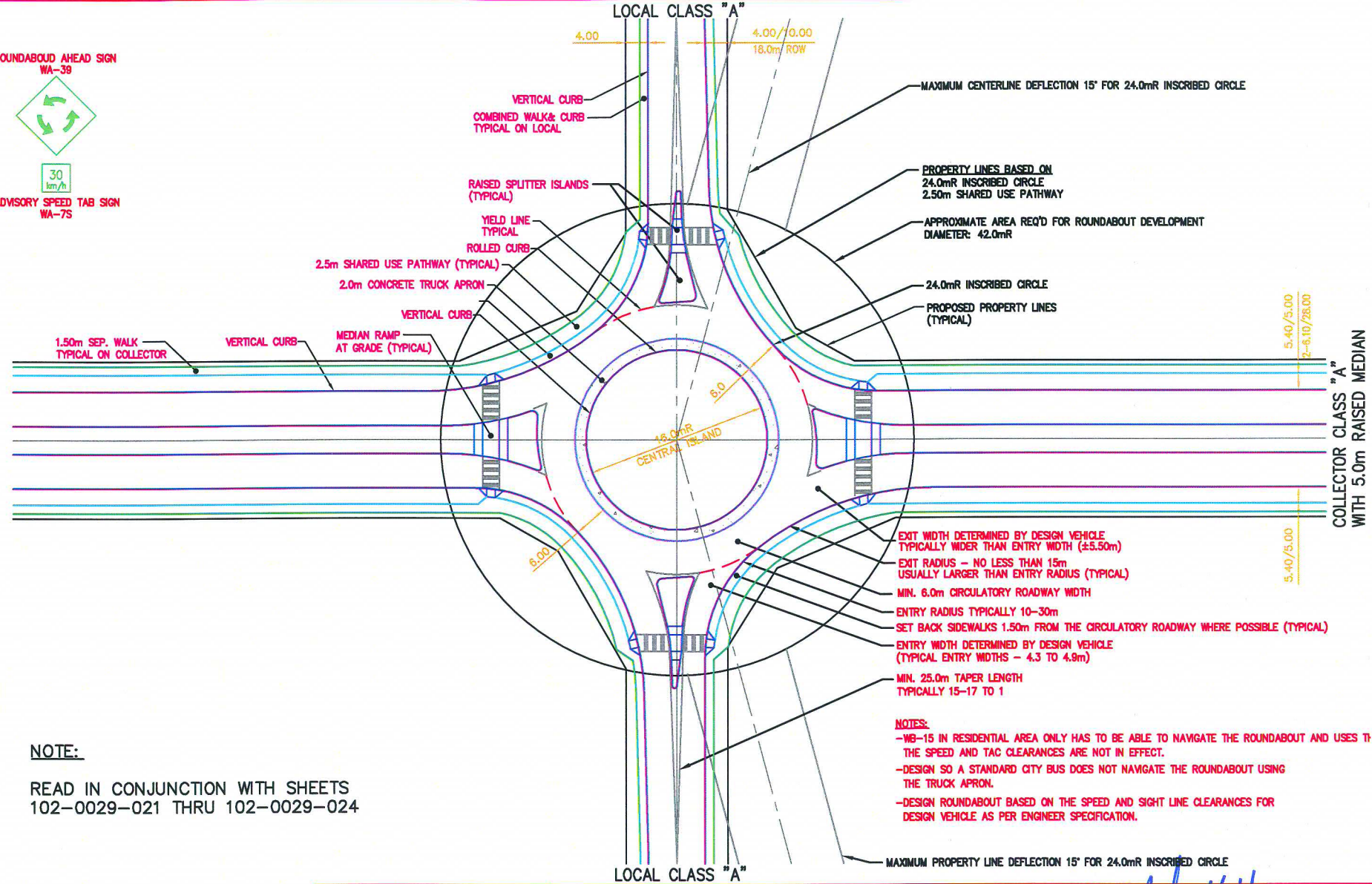
ADVISORY SPEED TAB SIGN
WA-7S

COLLECTOR CLASS "A"
WITH 5.0m RAISED MEDIAN

COLLECTOR CLASS "A"
WITH 5.0m RAISED MEDIAN

LOCAL CLASS "A"

LOCAL CLASS "A"



NOTE:
READ IN CONJUNCTION WITH SHEETS
102-0029-021 THRU 102-0029-024

- EXIT WIDTH DETERMINED BY DESIGN VEHICLE TYPICALLY WIDER THAN ENTRY WIDTH (±5.50m)
 - EXIT RADIUS - NO LESS THAN 15m USUALLY LARGER THAN ENTRY RADIUS (TYPICAL)
 - MIN. 6.0m CIRCULATORY ROADWAY WIDTH
 - ENTRY RADIUS TYPICALLY 10-30m
 - SET BACK SIDEWALKS 1.50m FROM THE CIRCULATORY ROADWAY WHERE POSSIBLE (TYPICAL)
 - ENTRY WIDTH DETERMINED BY DESIGN VEHICLE (TYPICAL ENTRY WIDTHS - 4.3 TO 4.9m)
 - MIN. 25.0m TAPER LENGTH TYPICALLY 15-17 TO 1
- NOTES:**
- WB-15 IN RESIDENTIAL AREA ONLY HAS TO BE ABLE TO NAVIGATE THE ROUNDBOUD AND USES IT THE SPEED AND TAC CLEARANCES ARE NOT IN EFFECT.
 - DESIGN SO A STANDARD CITY BUS DOES NOT NAVIGATE THE ROUNDBOUD USING THE TRUCK APRON.
 - DESIGN ROUNDBOUD BASED ON THE SPEED AND SIGHT LINE CLEARANCES FOR DESIGN VEHICLE AS PER ENGINEER SPECIFICATION.

NOTE:
GEOMETRICS BASED ON WB-15 AS DESIGN VEHICLE BUT THE DESIGN DOES NOT TAKE INTO ACCOUNT SPEED OR NECESSARY CLEARANCES FOR THE WB-15 AS IT IS NOT THE PRIMARY VEHICLE.

REVISIONS	
1	XXX XXX
2	
3	

DRAWN BY RBY
DATE 2009-OCT-14
SCALES :
HOR. 1:1000
VERT.



ROUNDABOUT DETAILED DESIGN
ROAD CLASSIFICATION
COLLECTOR CLASS "A" / LOCAL CLASS "A"

APPROVED

[Signature] FEB 23, 10
GENERAL MANAGER

[Signature]
ENGINEER

[Signature]
ENGINEER

PLAN NO. 102-0029-022r001

ROUNDABOUT AHEAD SIGN
WA-39

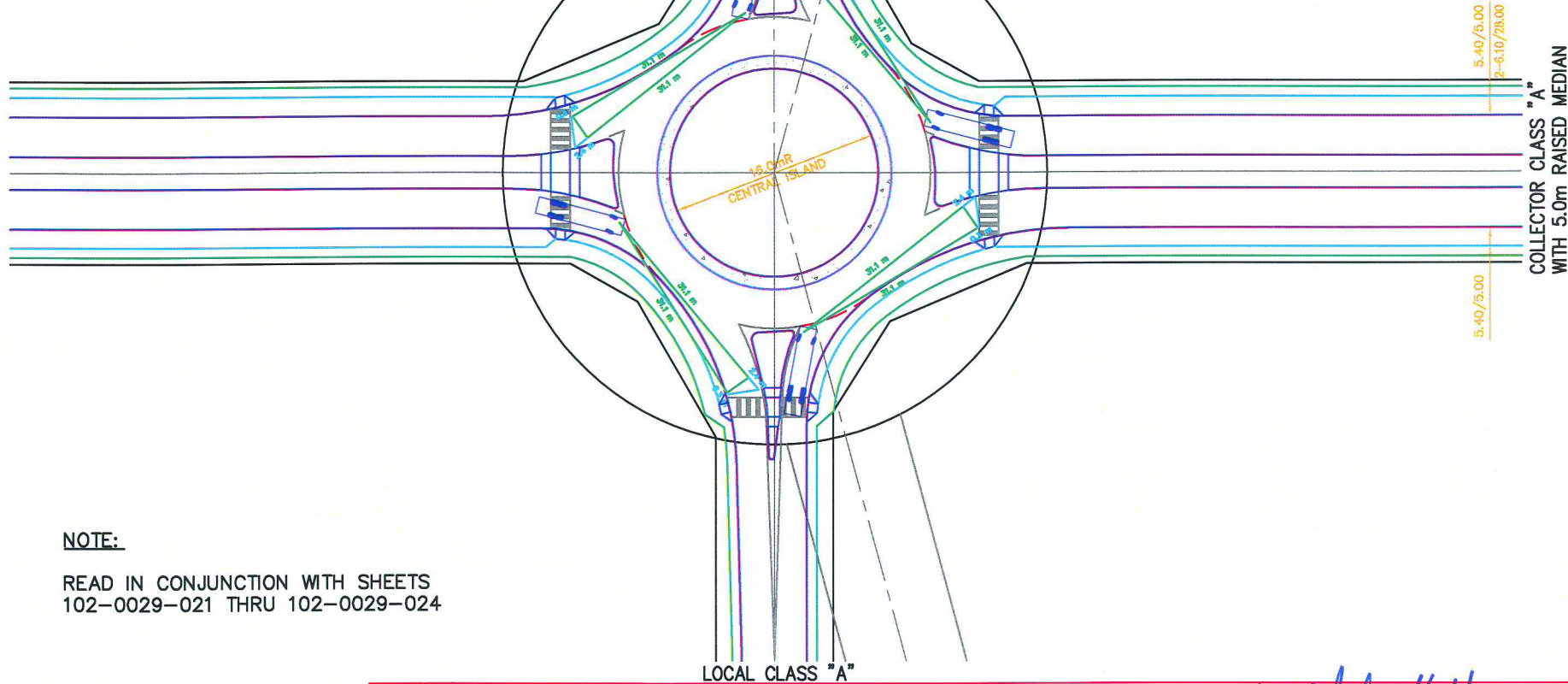


30
km/h

ADVISORY SPEED TAB SIGN
WA-75

MINIMUM SIGHT DISTANCES AS SHOWN FROM YIELD LINE TO PEDESTRIAN CROSSINGS.

COLLECTOR CLASS "A"
WITH 5.0m RAISED MEDIAN



COLLECTOR CLASS "A"
WITH 5.0m RAISED MEDIAN

NOTE:

READ IN CONJUNCTION WITH SHEETS
102-0029-021 THRU 102-0029-024

NOTE:
GEOMETRICS BASED ON WB-15 AS DESIGN VEHICLE BUT THE DESIGN DOES NOT TAKE INTO ACCOUNT SPEED OR NECESSARY CLEARANCES FOR THE WB-15 AS IT IS NOT THE PRIMARY VEHICLE.

REVISIONS	
1	XXX XXX
2	
3	

DRAWN BY RBY
DATE 2009-OCT-14
SCALES : HOR. 1:1000
 VERT.

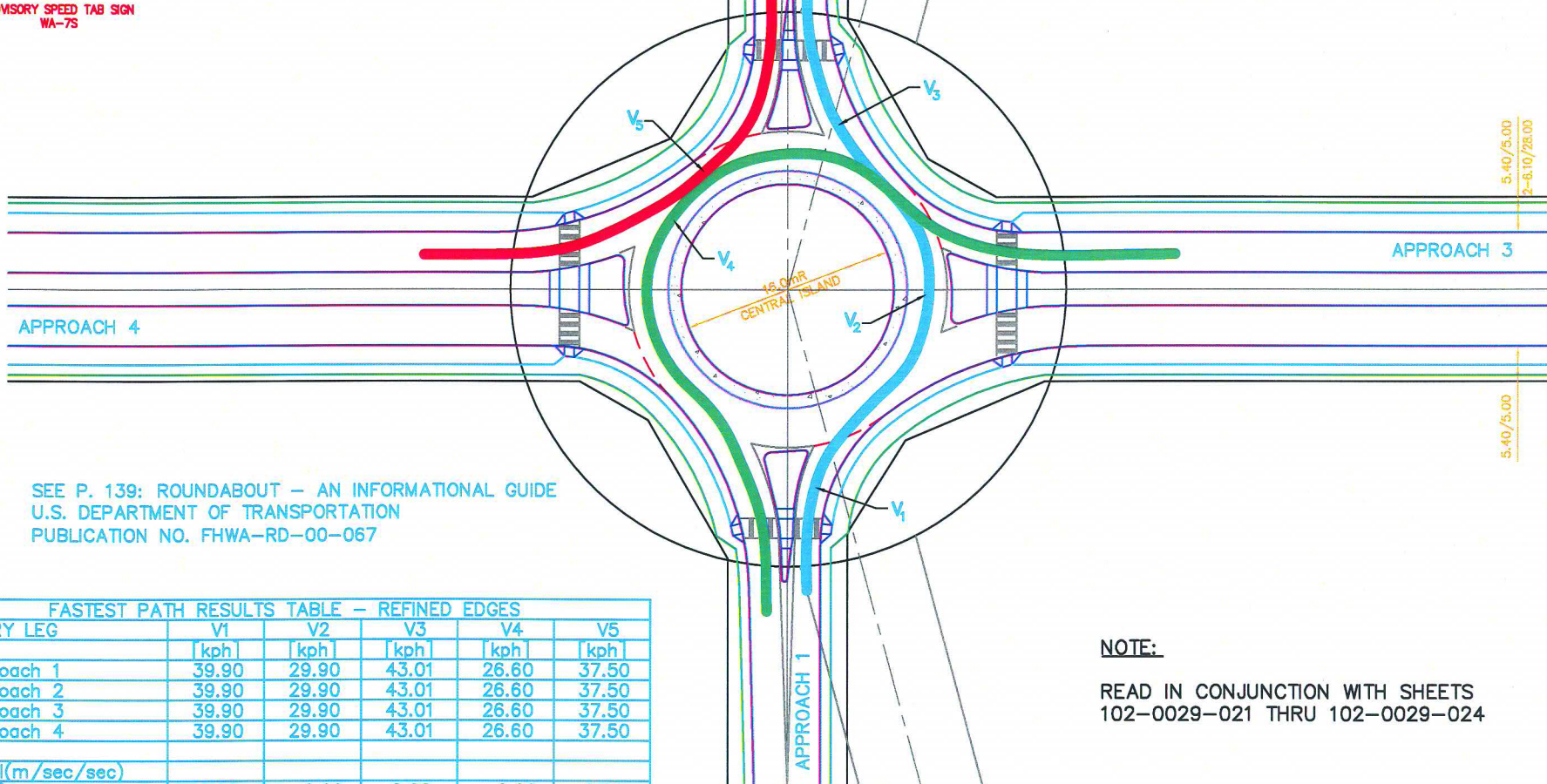
City of Saskatoon
Infrastructure Services Department

ROUNDABOUT SIGHT LINES DESIGN
ROAD CLASSIFICATION
COLLECTOR CLASS "A" / LOCAL CLASS "A"

APPROVED
[Signature] FEB 23, 10
GENERAL MANAGER
[Signature]
ENGINEER
[Signature]
ENGINEER
PLAN NO. 102-0029-023r001



COLLECTOR CLASS "A"
WITH 5.0m RAISED MEDIAN



COLLECTOR CLASS "A"
WITH 5.0m RAISED MEDIAN

SEE P. 139: ROUNDABOUT – AN INFORMATIONAL GUIDE
U.S. DEPARTMENT OF TRANSPORTATION
PUBLICATION NO. FHWA-RD-00-067

FASTEST PATH RESULTS TABLE – REFINED EDGES

ENTRY LEG	V1	V2	V3	V4	V5
	[kph]	[kph]	[kph]	[kph]	[kph]
1 Approach 1	39.90	29.90	43.01	26.60	37.50
2 Approach 2	39.90	29.90	43.01	26.60	37.50
3 Approach 3	39.90	29.90	43.01	26.60	37.50
4 Approach 4	39.90	29.90	43.01	26.60	37.50
Accel(m/sec/sec)					
SE(%)	2.00	-2.00	2.00	-2.00	2.00

NOTE:

READ IN CONJUNCTION WITH SHEETS
102-0029-021 THRU 102-0029-024

NOTE:
GEOMETRICS BASED ON WB-15 AS DESIGN
VEHICLE BUT THE DESIGN DOES NOT TAKE INTO
ACCOUNT SPEED OR NECESSARY CLEARANCES
FOR THE WB-15 AS IT IS NOT THE PRIMARY
VEHICLE.

REVISIONS	
1	xxx xxx
2	
3	

DRAWN BY RBV
DATE 2009-OCT-14
SCALES :
HOR. 1:1000
VERT. _____

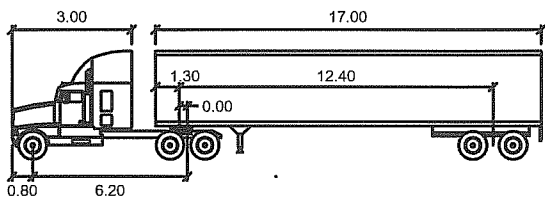


ROUNDABOUT OPERATING SPEEDS DESIGN
ROAD CLASSIFICATION
COLLECTOR CLASS "A" / LOCAL CLASS "A"

APPROVED

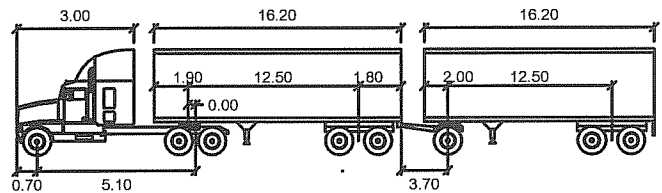
[Signature] FEB 23, 10
GENERAL MANAGER
[Signature]
ENGINEER
[Signature]
ENGINEER
PLAN NO. 102-0029-024r001

VEHICLE NAME	WB-20	WB-36
SOURCE LIBRARY: AUTOTURN 7.0	TAC 1999	ALBERTA INFRASTRUCTURE HIGHWAY GEOMETRIC
VEHICLE TYPE	SEMI-TRAILER CB	DOUBLE TRAILER CB-A
CLASS	TRANSPORT TRUCK	TRANSPORT TRUCK
LOCK TO LOCK TIME	6.0 SEC.	6.0 SEC.
STEERING LOCK ANGLE	28.3 DEGREES	17.1 DEGREES
UNITS OF MEASURE	METERS	METERS
OVERALL VEHICLE LENGTH	22.7	38.0
# OF AXLES	5.0	8.0
TRACTOR WIDTH	2.6	2.6
TRAILER WIDTH	2.6	2.6
MIN. TURNING RADIUS BASED ON CENTERLINE	13.07 @ 90 DEGREES	17.34 @ 90 DEGREES
FRONT OVERHANG	0.8	0.8
REAR OVERHANG	3.3	1.7
ARTICULATING ANGLE	70.0 DEGREES	70.0 DEGREES



WB-20 meters Overall Vehicle length 22.70m
 Tractor Width : 2.60 Lock to Lock Time : 6.0
 Trailer Width : 2.60 Steering Angle : 28.3
 Tractor Track : 2.60 Articulating Angle : 70.0
 Trailer Track : 2.60

SOURCE: TAC 1999

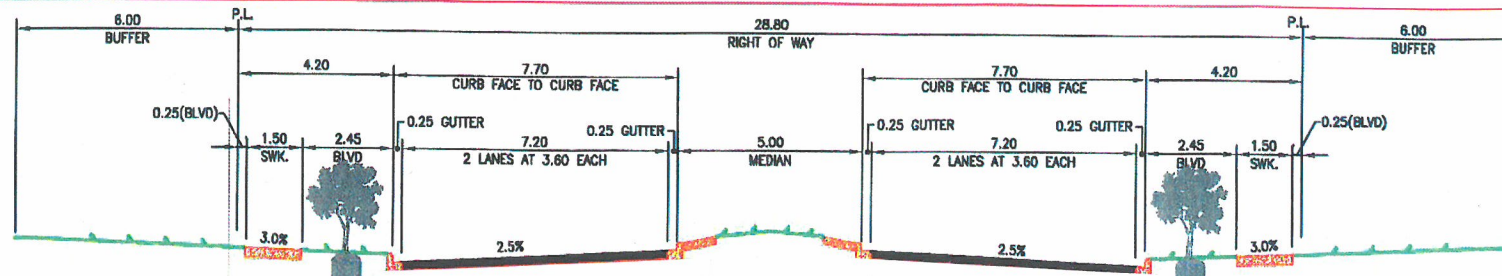


WB36 meters Overall Vehicle length 38.0m
 Tractor Width : 2.60 Lock to Lock Time : 6.0
 Trailer Width : 2.60 Steering Angle : 17.1
 Tractor Track : 2.60 Articulating Angle : 70.0
 Trailer Track : 2.60

SOURCE: ALBERTA INFRASTRUCTURE;
HIGHWAY GEOMETRIC

PLAN DESCRIPTION/REVISIONS 4 3 2 1		APPROVED GENERAL MANAGER
		ENGINEER
		PLAN NO. 102-0029-026r001
		DESIGN VEHICLES FOR ARTERIALS, EXPRESSWAYS, FREEWAYS & HIGHWAY GEOMETRIC DESIGN
DRAWN BY <u>RBV</u> DATE <u>2011-JULY-28</u>		
SCALE : HOR. <u>NA</u> VERT. <u>NA</u>		

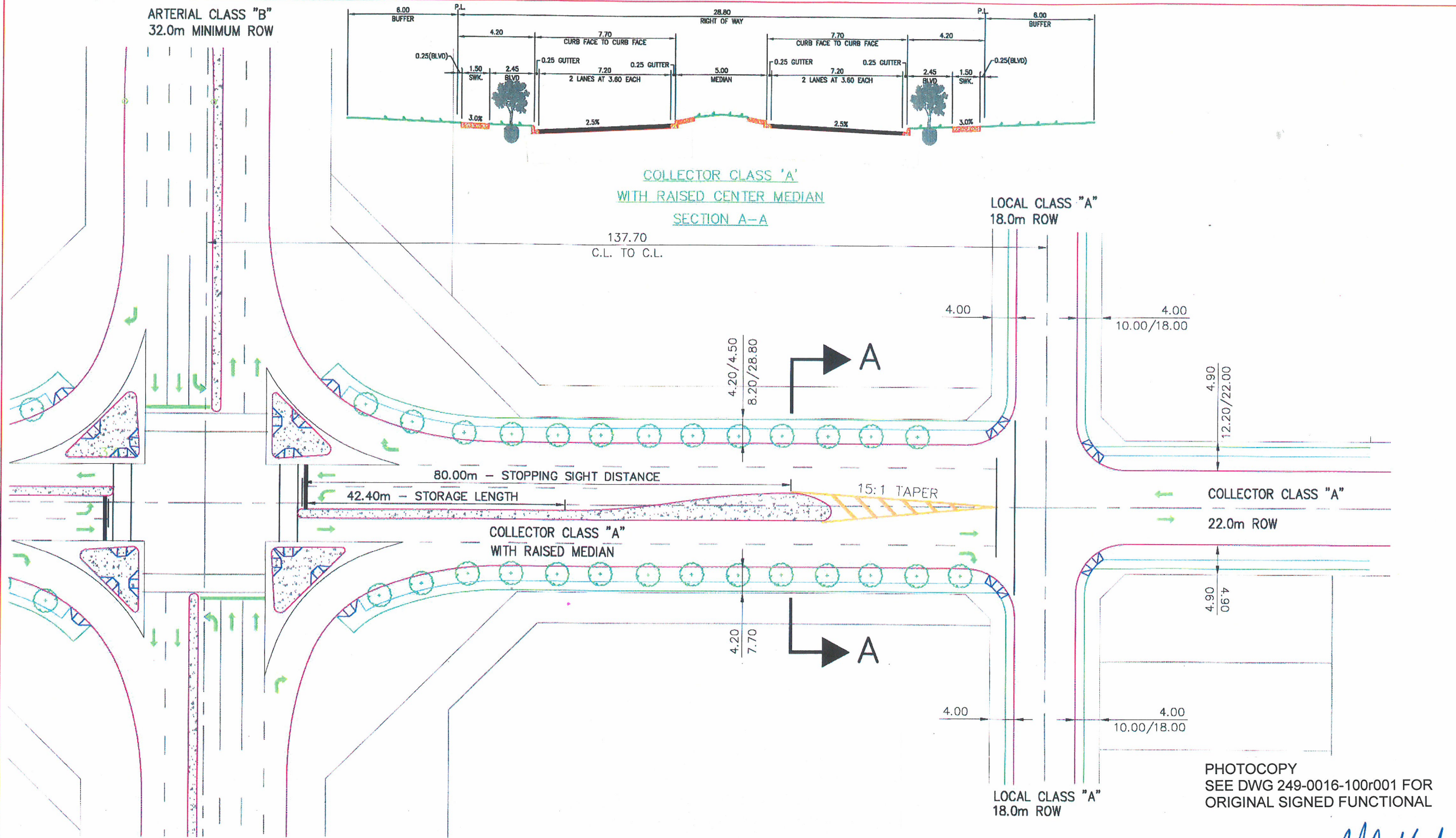
ARTERIAL CLASS "B"
32.0m MINIMUM ROW



COLLECTOR CLASS 'A'
WITH RAISED CENTER MEDIAN
SECTION A-A

137.70
C.L. TO C.L.

LOCAL CLASS "A"
18.0m ROW



ARTERIAL CLASS "B"
32.0m MINIMUM ROW

LOCAL CLASS "A"
18.0m ROW

PHOTOCOPY
SEE DWG 249-0016-100r001 FOR
ORIGINAL SIGNED FUNCTIONAL

FUNCTIONAL

PROJECT NO. 504-0016-100r001

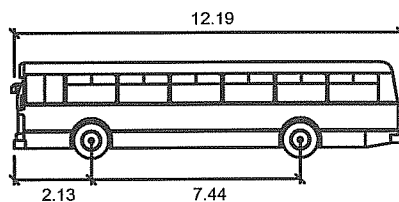
TRANSPORTATION BRANCH - FUNCTIONAL			
DESIGNED BY	CHALABADIKHUS	DATE	MAR 18/2010
CHECKED BY	[Signature]	DATE	MAR 16, 2010
DATE		DATE	MAR 16, 2010
DRAWN BY	RSY	DATE	2008-SEP-22



STANDARD NEIGHBORHOOD ENTRANCES
NEW NEIGHBORHOODS ONLY

GENERAL MANAGER	
SCALE:	1:800
DATE:	MAR 19, 2010
SHEET NO.	102-0029-027r001

<u>VEHICLE NAME</u>	<u>D40LF</u>
<u>SOURCE LIBRARY:</u> <u>AUTOTURN 7.0</u>	COS CUSTOM VEHICLES
<u>VEHICLE TYPE</u>	STANDARD BUS
<u>CLASS</u>	BUS
<u>LOCK TO LOCK TIME</u>	6.0 SEC.
<u>STEERING LOCK ANGLE</u>	33.7 DEGREES
<u>UNITS OF MEASURE</u>	METERS
<u>OVERALL VEHICLE LENGTH</u>	12.19
<u># OF AXLES</u>	2.00
<u>TRACTOR WIDTH</u>	2.6
<u>MIN. TURNING RADIUS BASED ON CENTERLINE</u>	13.40 @ 90 DEGREES
<u>FRONT OVERHANG</u>	2.13
<u>REAR OVERHANG</u>	2.62



D40LF Overall Vehicle length 12.19m
meters

Bus Width : 2.60
 Bus Track : 2.60
 Lock to Lock Time : 6.0
 Steering Angle : 33.7

SOURCE: COS CUSTOM VEHICLES

PLAN DESCRIPTION/REVISIONS	
4	
3	
2	
1	
DRAWN BY <u> RBY </u>	
DATE <u> 2011-AUG-02 </u>	
SCALE : HOR. <u> NA </u> VERT. <u> NA </u>	



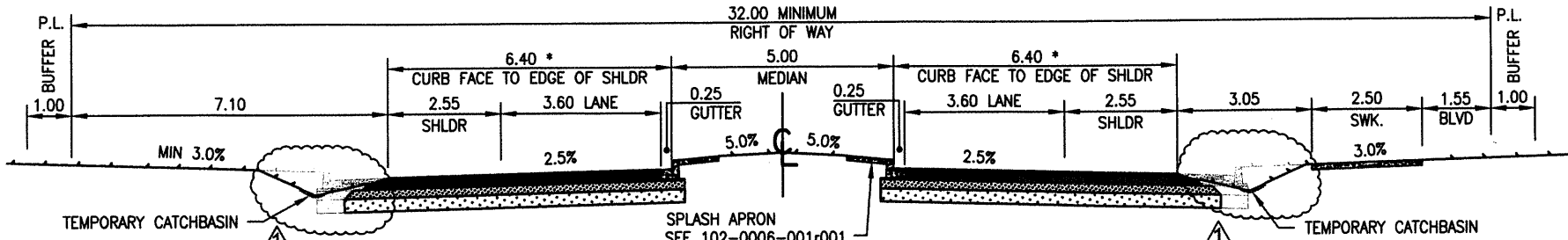
D40LF (STANDARD COS BUS)
 DESIGN VEHICLE FOR COLLECTORS
 AND ROUNDABOUTS

APPROVED

[Signature]
 GENERAL MANAGER

[Signature]
 ENGINEER

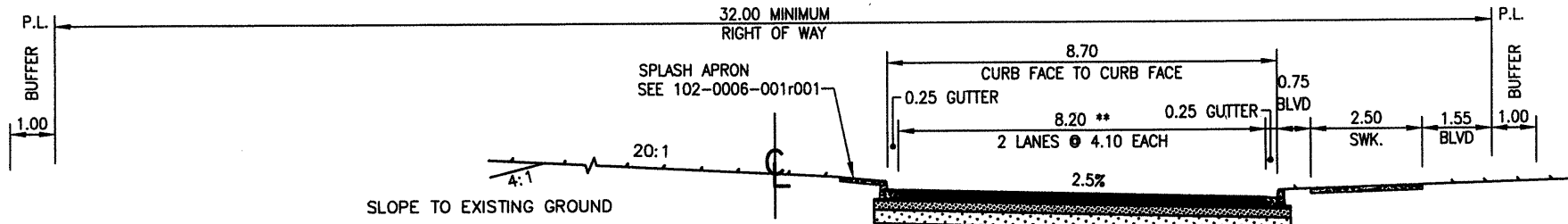
PLAN NO. 102-0029-031r001



ARTERIAL CLASS B INITIAL STAGE FULL MEDIAN & SYMETRICAL (OPTION 1)

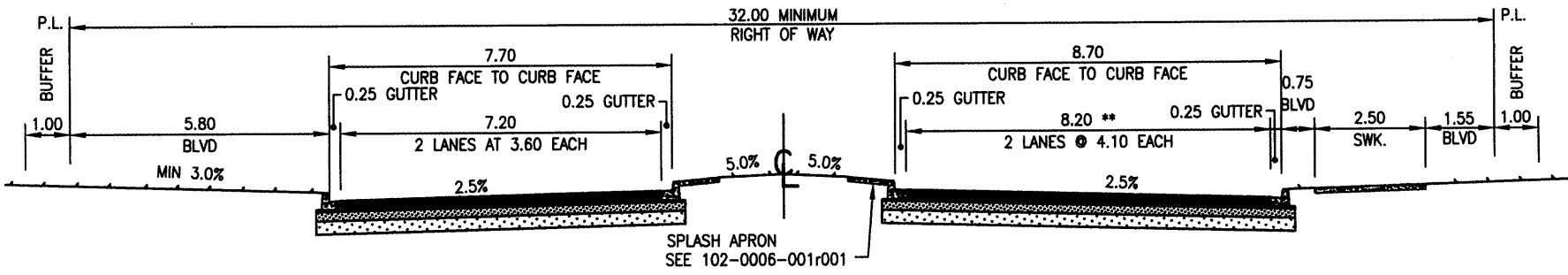
PREFERRED FOR HIGH SPEED, OR MIXED TRAFFIC (INDUSTRIAL, COMMERCIAL), OR MULTI-YEAR GAP BETWEEN STAGES

NOTE \triangle : ECONOMICS OF COMPLETE CROSS SECTION VERSUS SINGLE LANE TO BE A PROJECT-SPECIFIC DECISION.



ARTERIAL CLASS B INITIAL STAGE, ONE SIDE ONLY (OPTION 2)

PREFERRED FOR LOW SPEED, OR MIXED TRAFFIC (INDUSTRIAL, COMMERCIAL), OR 1-2 YEAR GAP BETWEEN STAGES



ARTERIAL CLASS B FINAL STAGE (ASYMETRICAL)

* TAC 1999, TABLE 2.3.7.1 (CASE II: C)

** TAC 1999, TABLE 2.3.7.1 (CASE III: C)

REVISIONS:

REVISED ENTIRE DRAWING TO MATCH TAC 1999 DESIGN PAVEMENT WIDTHS FOR INDUSTRIAL/COMMERCIAL TRAFFIC CONDITIONS.

SEE NOTE \triangle

PLAN DESCRIPTION/REVISIONS	
4	
3	
2	
1	
DRAWN BY <u>RBY</u>	
DATE <u>2013-JUNE-17</u>	
SCALE: HOR. <u>1:150</u> VERT. _____	



**CLASS B ARTERIAL STAGING OPTIONS
INDUSTRIAL/ COMMERCIAL**

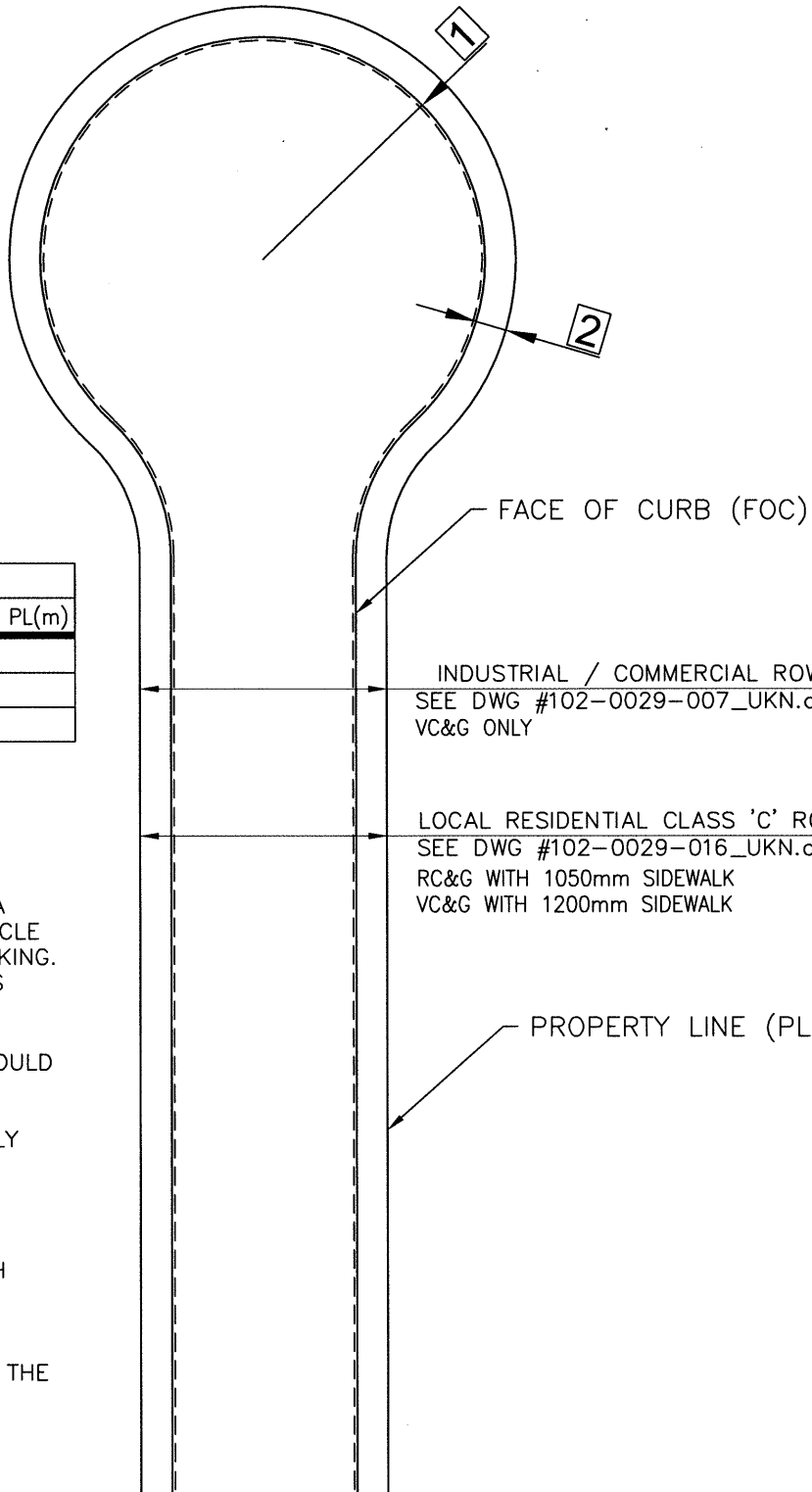
APPROVED

[Signature]
GENERAL MANAGER

[Signature]
ENGINEER

[Signature]
ENGINEER

PLAN NO. 102-0029-032r002



CUL-DE-SAC PARAMETERS		
CLASSIFICATION	1 R(m)	2 FOC TO PL(m)
RESIDENTIAL	15.0	3.00
COMMERCIAL	18.0	2.50
INDUSTRIAL	18.0	2.50

NOTES:

THE CUL-DE-SAC MUST ALLOW A MEDIUM HEAVY SINGLE-UNIT VEHICLE TURNAROUND AND PARALLEL PARKING. THEREFORE, THE MINIMUM RADIUS FOR COMMERCIAL/ INDUSTRIAL SHOULD BE 18m; FOR LOCAL RESIDENTIAL MINIMUM RADIUS SHOULD BE 15m.

THE FOLLOWING CONDITIONS APPLY (AT THE DEVELOPER'S EXPENSE):

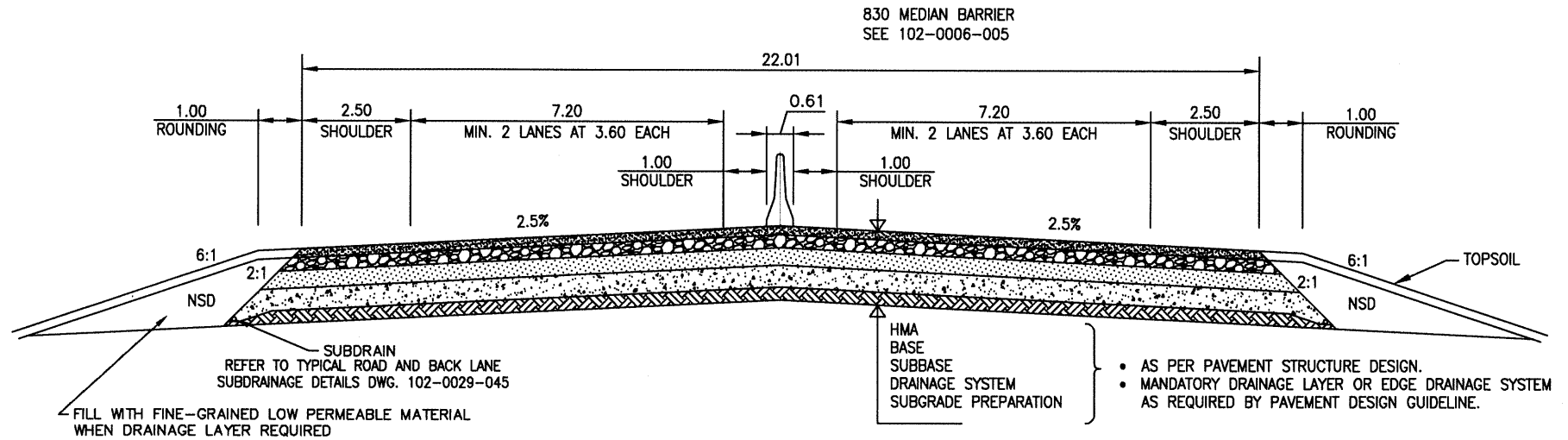
1. MINIMUM RADIUS OF 18m.
2. BUILT WITH VERTICAL CURB.
3. ENTRY MUST BE POSTED WITH "NO EXIT SIGNS": FOR COMMERCIAL & INDUSTRIAL ROADWAYS ONLY.
4. ROW MUST BE DEDICATED AT THE TIME OF SUBDIVISION.

INDUSTRIAL / COMMERCIAL ROW
SEE DWG #102-0029-007_UKN.dwg
VC&G ONLY

LOCAL RESIDENTIAL CLASS 'C' ROW
SEE DWG #102-0029-016_UKN.dwg
RC&G WITH 1050mm SIDEWALK
VC&G WITH 1200mm SIDEWALK

PROPERTY LINE (PL)

PLAN DESCRIPTION/REVISIONS 4 3 2 1	 City of Saskatoon Transportation & Utilities Department	APPROVED  CHIEF ENGINEER
DRAWN BY <u> RBY </u> DATE <u> APRIL 14, 2014 </u> SCALE : HOR. <u> NTS </u> VERT. <u> NTS </u>	CUL-DE-SAC PARAMETERS RESIDENTIAL, COMMERCIAL & INDUSTRIAL ROADWAYS	 ENGINEER PLAN NO. <u> 102-0029-035r001_UKN </u>



- NOTE:
- WHERE 5.0 m RAISED MEDIAN NOT REQUIRED FOR LEFT TURN BAY DEVELOPMENT.
 - DRAINAGE AGGREGATE TO BE ENVELOPED BY NON-WOVEN GEOTEXTILE FOR SUBDRAIN OR FULL DRAINAGE LAYER.
 - SUBDRAINS TO DAYLIGHT TO DITCH AT LOWEST POINT OR A MAXIMUM SPACING OF 200 m.

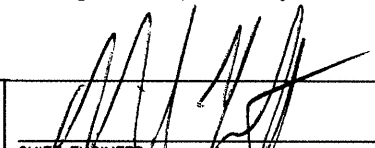


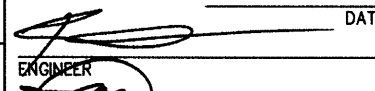
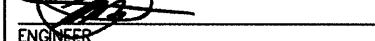
PLAN DESCRIPTION/REVISIONS	
4	
3	
2	
1	RELOCATE SUBDRAIN TO LOWEST POINT 2015-DEC-31 HLO
DRAWN BY <u>HLO</u>	
DATE <u>2014-DEC-15</u>	
SCALE : HOR. <u>1:150</u> VERT. <u>1:75</u>	



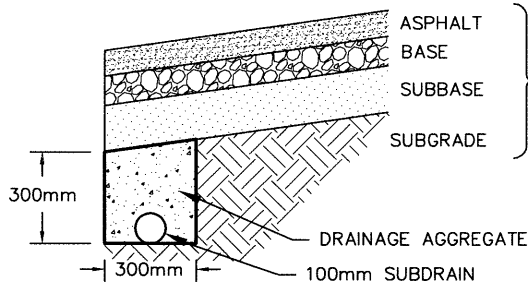
City of Saskatoon
Transportation & Utilities Department

ALTERNATIVE MEDIAN
BARRIER TREATMENT
SEMI-URBAN CROSS SECTION
WITH DRAINAGE LAYER

CHIEF ENGINEER 
DATE JAN 08 2016

ENGINEER 
ENGINEER 

PLAN NO. 102-0029-043r002

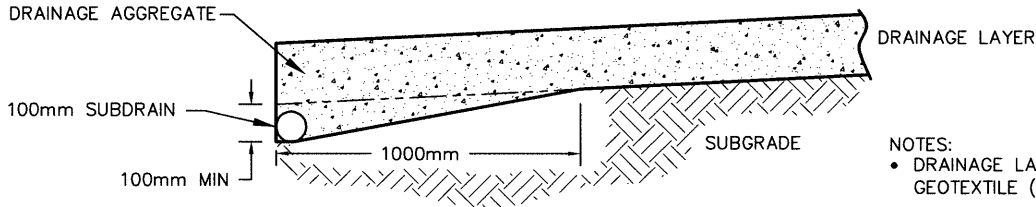


AS PER PAVEMENT
STRUCTURE DESIGN

NOTES:

- DRAINAGE AGGREGATE ENVELOPED WITH NON-WOVEN GEOTEXTILE (TOP, BOTTOM & SIDES).
- INTERIOR FACE OF EDGE DRAIN MAY BE VERTICAL OR SLOPED.

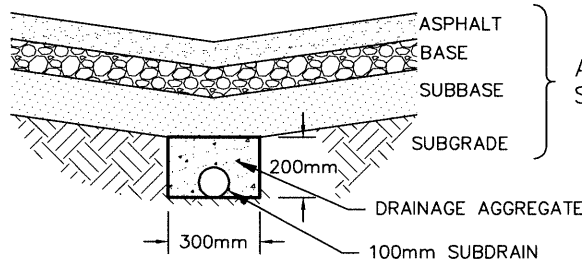
EDGE DRAINAGE SYSTEM



NOTES:

- DRAINAGE LAYER ENVELOPED WITH NON-WOVEN GEOTEXTILE (TOP, BOTTOM & SIDES).

FULL DRAINAGE LAYER SYSTEM

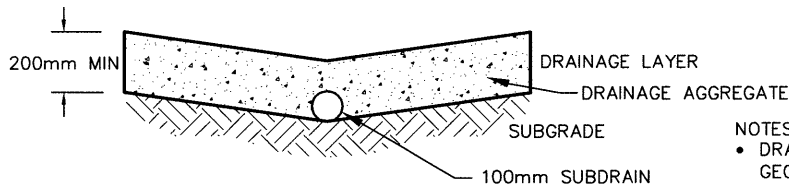


AS PER PAVEMENT
STRUCTURE DESIGN

NOTES:

- DRAINAGE AGGREGATE ENVELOPED WITH NON-WOVEN GEOTEXTILE (TOP, BOTTOM & SIDES).
- FACES OF CENTRE DRAIN MAY BE VERTICAL OR SLOPED.

CENTRE DRAIN – NO DRAINAGE LAYER
TYPICAL OF BACK LANE

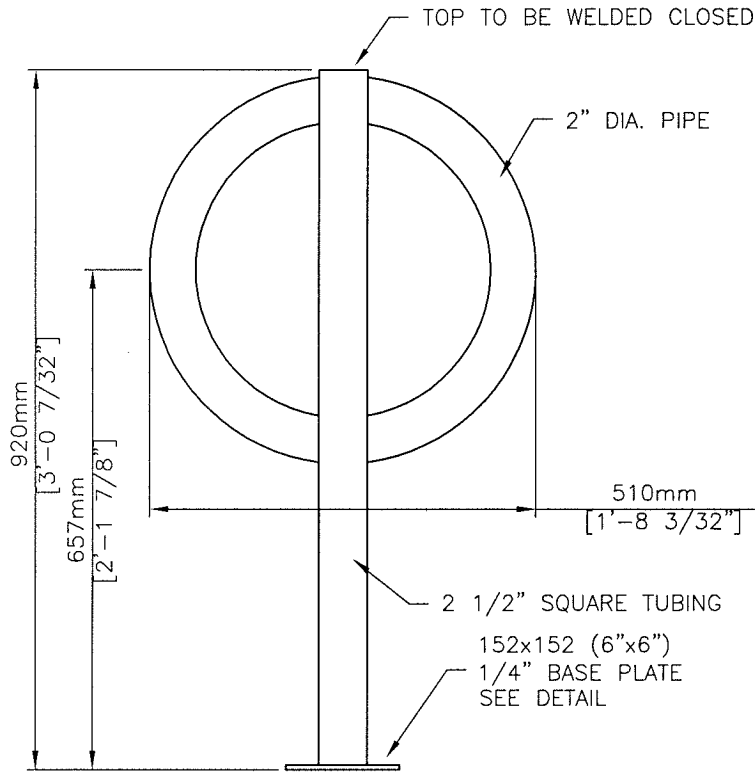


NOTES:

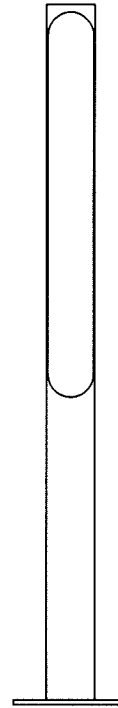
- DRAINAGE LAYER ENVELOPED WITH NON-WOVEN GEOTEXTILE (TOP, BOTTOM & SIDES).

CENTRE DRAIN – WITH DRAINAGE LAYER
TYPICAL OF BACK LANE

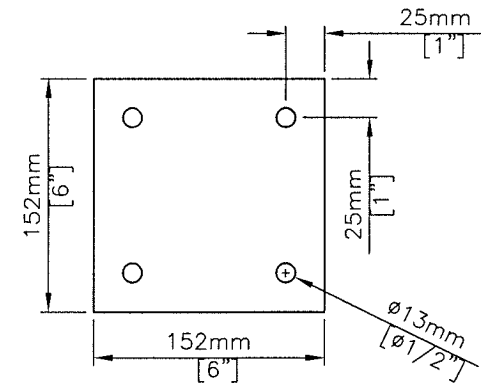
PLAN DESCRIPTION/REVISIONS		 City of Saskatoon Transportation & Utilities Department	 CHIEF ENGINEER DATE JAN 08 2016
4			
3			
2			
1	RELOCATE SUBDRAIN TO LOWEST POINT 2015-DEC-01 HLO	TYPICAL ROAD AND BACK LANE SUBDRAINAGE DETAILS	 ENGINEER
DRAWN BY HLO			 ENGINEER
DATE 2014-DEC-15			PLAN NO. 102-0029-045r002
SCALE : HOR. <u>N.T.S.</u> VERT. <u>N.T.S.</u>			



FRONT VIEW



SIDE VIEW



BASE PLATE DETAIL
SCALE 1:5

NOTES:
1. BICYCLE STAND TO BE GALVANIZED

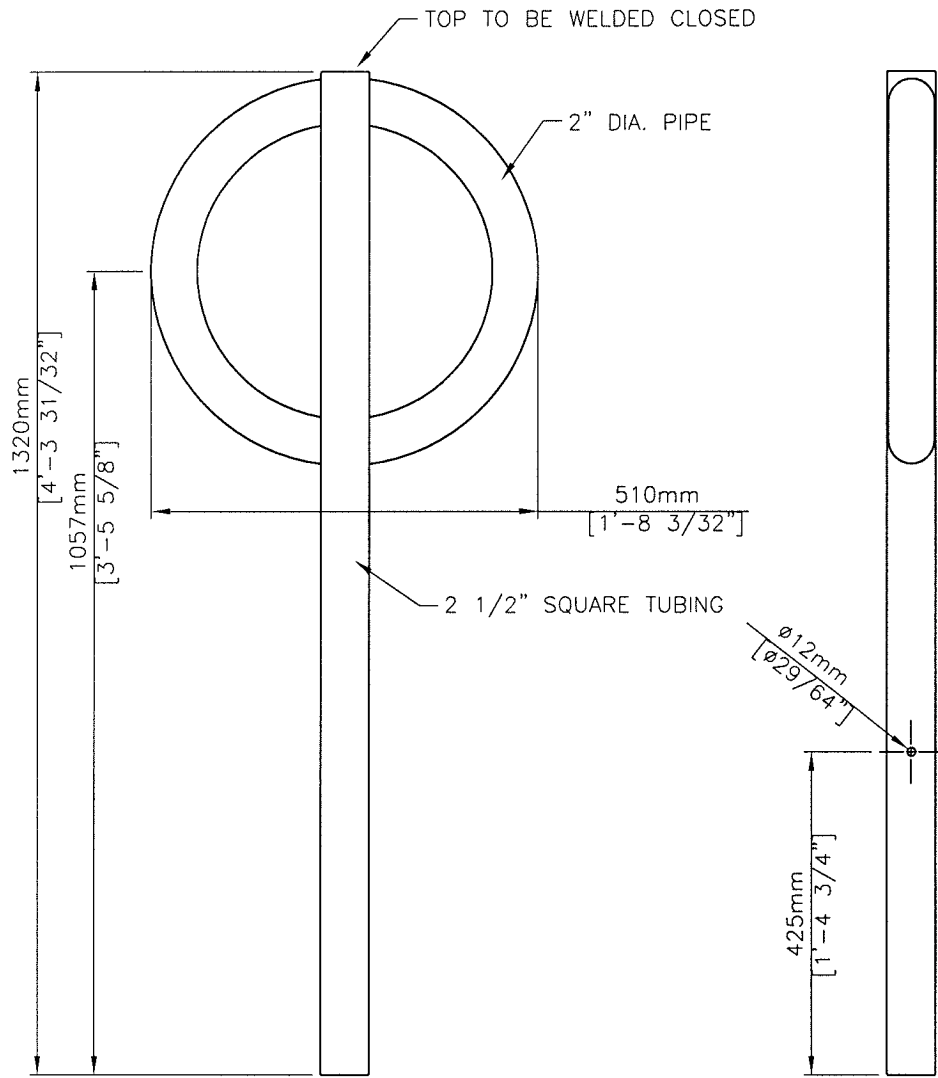
PLAN DESCRIPTION/REVISIONS	
4	
3	
2	
1	ISSUED FOR TENDER
DRAWN BY <u>BAJ</u>	
DATE <u>2012-FEB-15</u>	
SCALE : HOR. <u>1:10</u> VERT. _____	



City of Saskatoon
Infrastructure Services Department

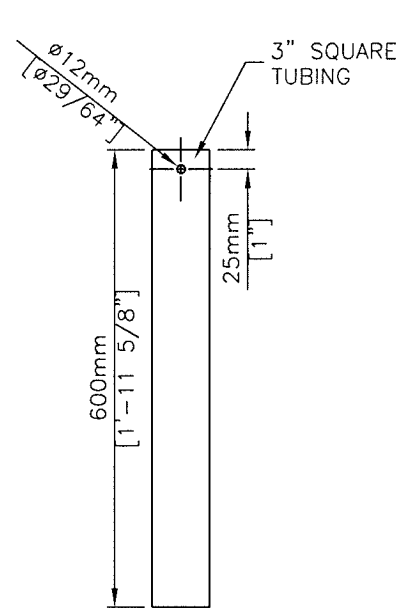
BICYCLE STAND
 SURFACE MOUNT INSTALLATION

APPROVED
<i>[Signature]</i>
GENERAL MANAGER
<i>[Signature]</i>
ENGINEER
<i>[Signature]</i>
ENGINEER
PLAN NO. 102-0038-001r001

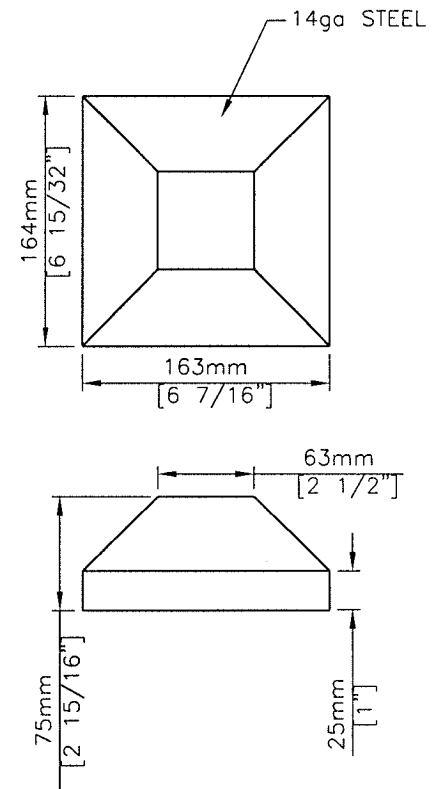


STAND FRONT VIEW

STAND SIDE VIEW



SLEEVE SIDE VIEW



COVER PLATE DETAIL
SCALE 1:5

NOTES:
1. BICYCLE STAND AND COVER PLATE
TO BE GALVANIZED

PLAN DESCRIPTION/REVISIONS	
4	
3	
2	
1	ISSUED FOR TENDER
DRAWN BY <u>BAJ</u>	
DATE <u>2012-FEB-15</u>	
SCALE : HOR. <u>1:10</u> VERT. <u> </u>	



City of Saskatoon
Infrastructure Services Department

BICYCLE STAND
SLEEVE INSTALATION

APPROVED
[Signature]
GENERAL MANAGER

ENGINEER
[Signature]
ENGINEER

ENGINEER
[Signature]
ENGINEER

PLAN NO. 102-0038-002r001