

**SITE FURNISHINGS**

**1 General**

**1.1 RELATED WORK**

- .1 Coordinate the requirements of this section with all other sections, including but not limited to:
  - .1 Section 02070 Demolition, Removal and Salvage
  - .2 Section 02523 Concrete

**1.2 QUALITY CONTROL**

- .1 **City of Saskatoon, Parks Branch** to review and approve site furnishings.

**1.3 INSPECTIONS**

- .1 Notify **Consultant** for inspection of:
  - .1 Layout of all site furnishings, before footing excavations.
  - .2 Installation of specified site furnishings.

**2 Products**

**2.1 SITE FURNISHINGS**

- .1 New site furnishings as specified.
- .2 Park signs supplied by **City of Saskatoon**. Sign bases per 02811 unless otherwise noted.
- .3 Trash Receptacles (New and Salvaged) to have a galvanized can (without lid), as supplied by Contractor c/w two handles, sized to fit trash receptacle, with security cable/chain.
  - .1 Trash can to be connected with cable/chain from handle to trash receptacle.
- .4 Junior Skateboard Fun Box, as custom manufactured by:
  - .1 Pre-Con Ltd  
3320 Idylwyld Drive North, Saskatoon, SK S7L 5Y7
  - .2 or approved equal.
- .5 Player Bench - Mira-Cote 15' long (including extra leg), as distributed by:
  - .1 Sudden Fun Recreation Equipment Ltd.  
Box 48298, Midlake R.P.O.  
Calgary, AB T2X 3C7 Phone: 1-800-490-0501

**SITE FURNISHINGS**

.2 or approved equal.

.6 Dog bylaw sign, as supplied by: City of Saskatoon, Sign & Paint Shop, 14-450 Ontario Avenue 221-0629.

**3 Execution**

**3.1 LAYOUT**

.1 Establish and maintain line and grade as per drawings.

.1 Contractor is responsible for layout accuracy.

.2 Layout approval is required before excavation of footings.

**3.2 EXCAVATION**

.1 Excavate to depths required for installation per details.

.1 Remove all loose material in excavations and compact with equipment suitable for the Work.

**3.3 INSTALLATION**

.1 Install site furnishings per drawings and details.

.1 Review details for installation (including sizing requirements of concrete footings) before start of operations.

.1 Notify Consultant of conflicts or discrepancies in installation instructions.

.2 Install site furnishings to manufacturer's specifications as provided and COS details to the following heights above finish grade:

.1 450mm for benches to top of bench seats, picnic table bench seats, and player's bench seats.

.3 Park sign installation includes the installation of concrete bases only. Signs will be installed by others.

**3.4 CLEAN UP**

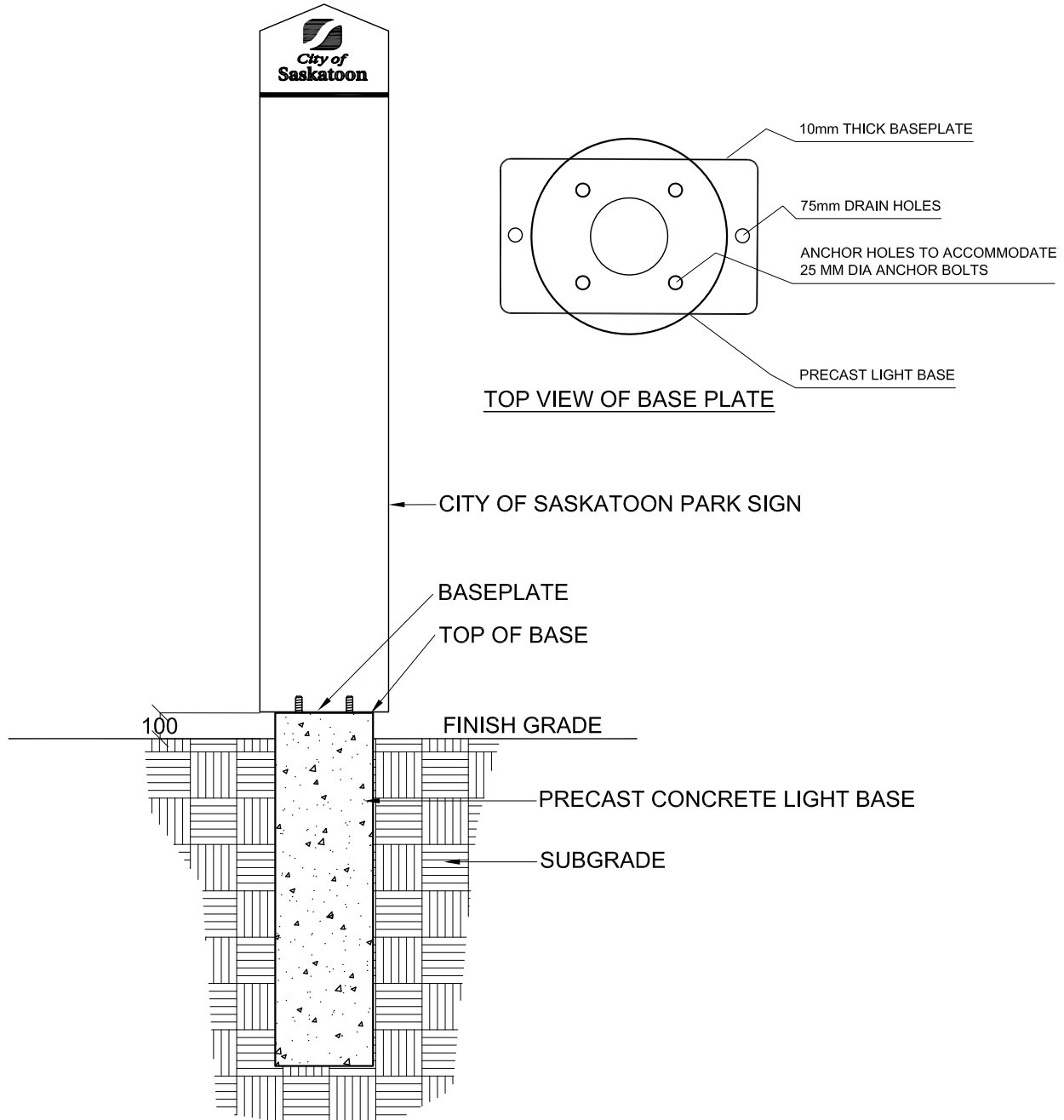
.1 Repair damaged areas of adjacent finish grade surface treatment disturbed or damaged by installation of any site furnishings.

.2 Clean adjacent walks, road and other surfaces at the end of each working day.

.3 Remove temporary structures and construction debris from the area.

**END OF SECTION**

H:\Data\Design\PROJECTS\4209 Landscape\2-Master Specs\2012 Standard Details & Specs\Drawings\2012 drawings\2012-02870-01 Park Sign Installation.dwg



**NOTE:**

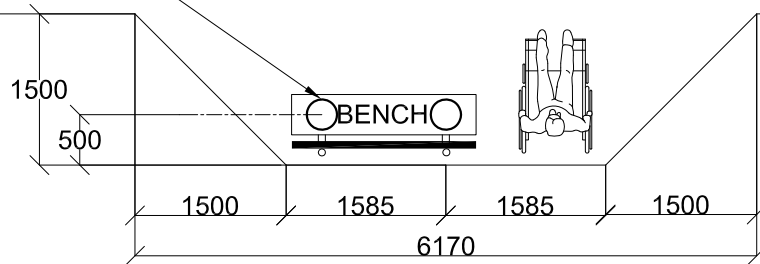
1. All units are in millimeters U.N.O.
2. Signs will be oriented to roadways, pathways, and major park entrances
3. City of Saskatoon Park Sign size & style may vary.

H:\Data\Design\PROJECTS\4209 Landscape\2-Master Specs\2012 Standard Details & Specs\Drawings\2012 drawings\2012-02870-02 Park Bench Layouts.dwg

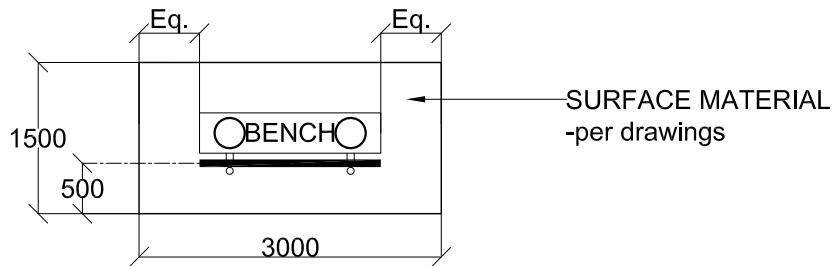
BENCH FOOTING (2)  
-TYP

BENCH BAY  
-paving to match adjacent path  
surface material

EDGE OF PATH



SINGLE BENCH BAY ADJACENT TO PATH



SINGLE BENCH BAY IN TURF

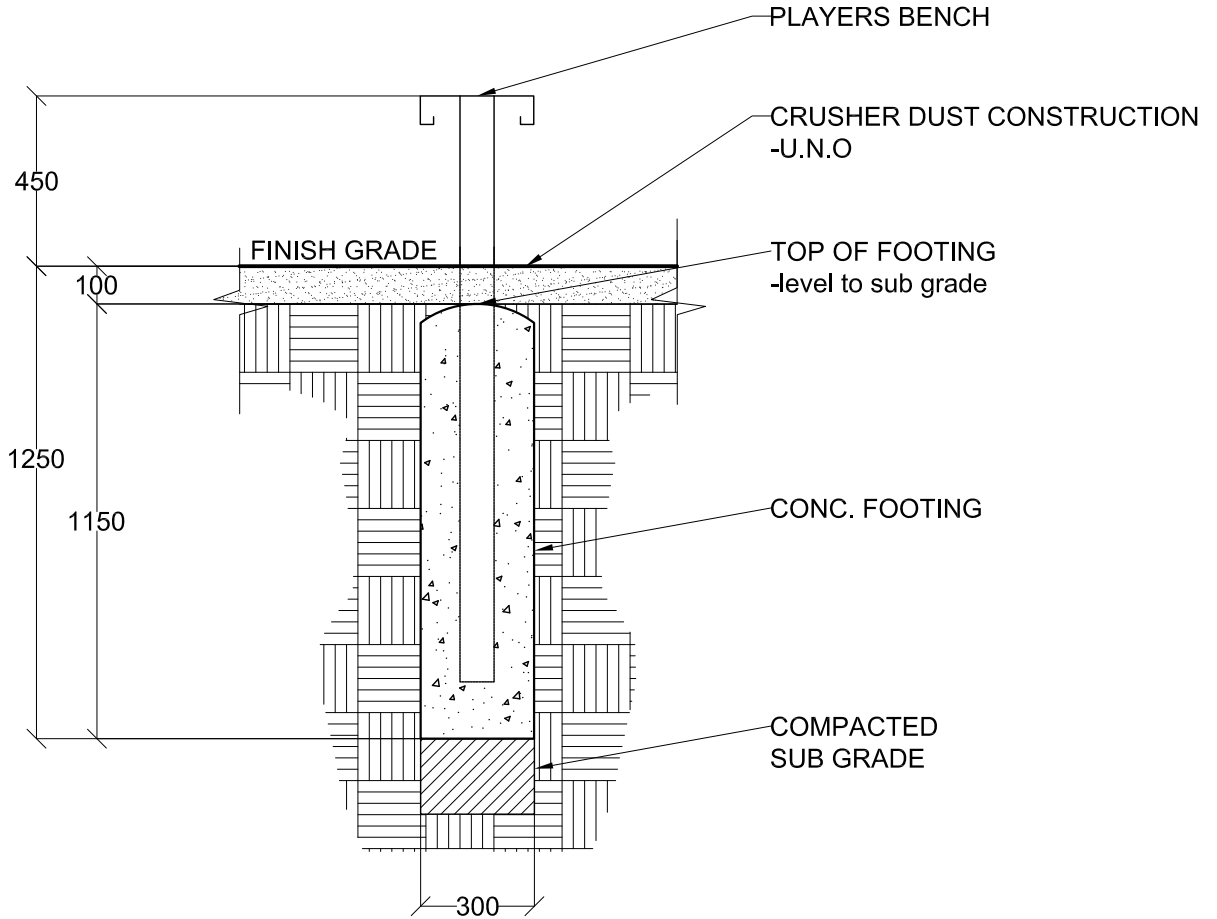
NOTE:  
1. All units are in millimeters U.N.O.

H:\Data\Design\PROJECTS\4209\_Landscape\2-Master\_Specs\2012\_Landscape\_Details & Specs\Drawings\2012\_drawings\2012-2870-03\_Players\_Bench.dwg

PLAYERS BENCH  
LEG (4)



ELEVATION



NOTE:  
1. All units are in millimeters U.N.O.

SECTION



Drawing Title  
**Player Bench Detail**

Drawn: HMK Checked: AO Date Y/M/D 09/11/30 Scale: 1:20

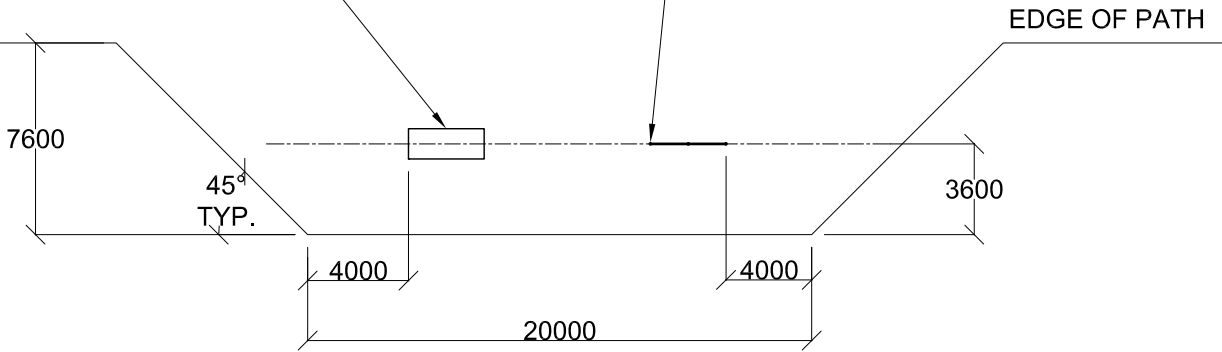
Drawing No.  
**02870-03**

2012 Standard Detail

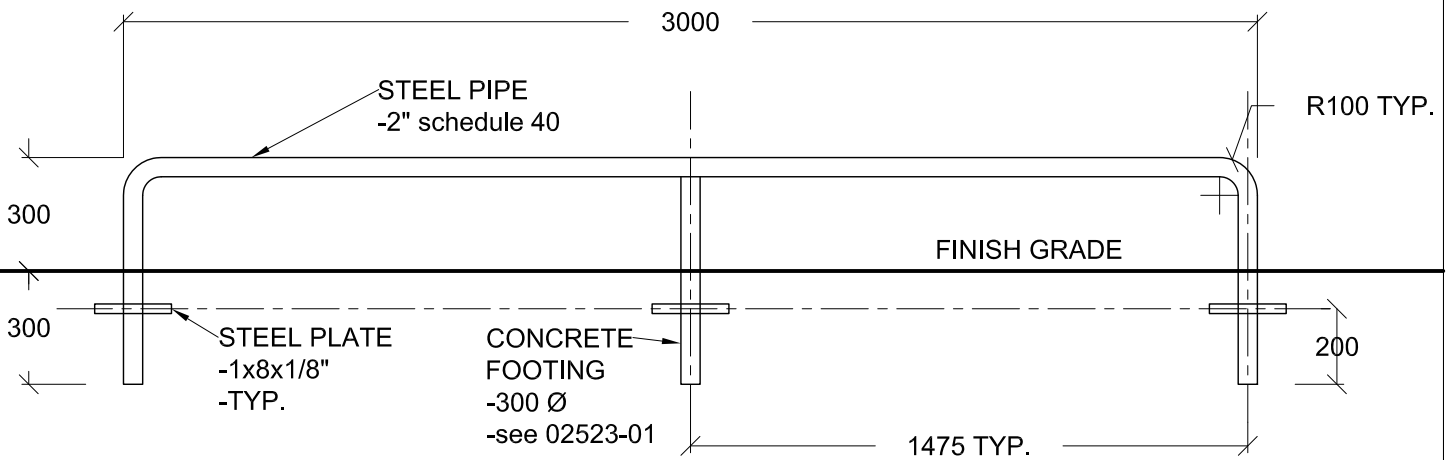
H:\Data\Design\PROJECTS\4209 Landscape\2-Master Specs\2012 Standard Details & Specs\Drawings\2012 drawings\2012-02870-04 Junior Skate Pad Layout & Grind Rail Detail.dwg

JUNIOR SKATEBOARD  
FUN BOX  
-see detail

JUNIOR SKATEBOARD  
GRIND RAIL  
-see detail



PLAN  
1:75



GRIND RAIL ELEVATION  
1:20

NOTE

1. All units are in millimeters U.N.O.



Drawing Title

Junior Skate Pad Layout &  
Grind Rail Detail

Drawn: HMK

Checked: AO

Date Y/M/D 09/11/23

Scale: AS NOTED

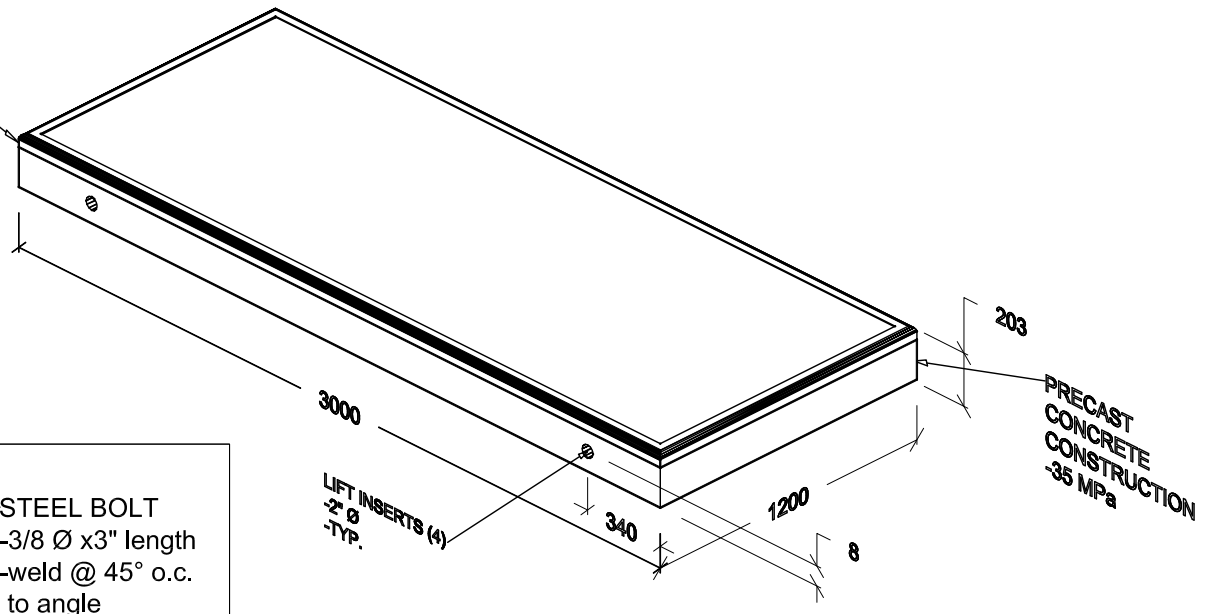
Drawing No.

02870-04

2012 Standard Detail

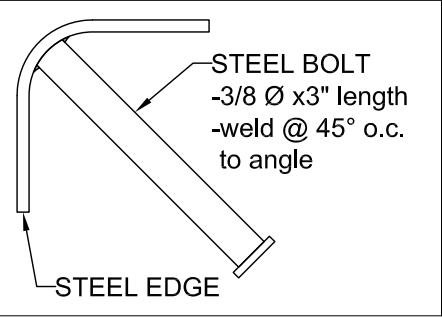
H:\Data\Design\PROJECTS\4209 Landscape\2-Master Specs\Drawings\2012 Standard Details & Specs\Drawings\2012 drawings\2012-02870-05 Junior Skateboard Fun Box 4x10' - Layout.dwg

**GRIND EDGE**  
 -2x2x1/8" steel  
 -round corner 20  
 -c/w bolts @ 610 o.c.



**PRECAST CONCRETE CONSTRUCTION**  
 -35 MPa

**LIFT INSERTS (4)**  
 -2" Ø  
 -TYP.



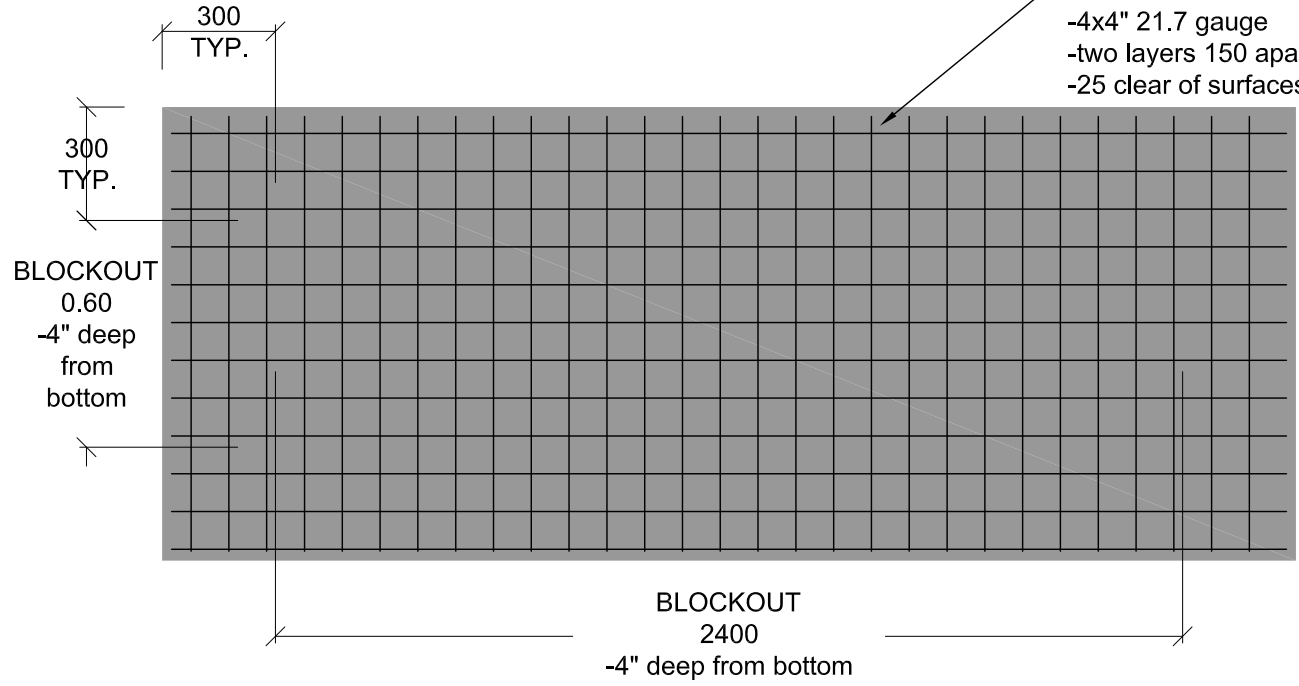
**STEEL BOLT**  
 -3/8 Ø x3" length  
 -weld @ 45° o.c.  
 to angle

**STEEL EDGE**

**GRIND EDGE SECTION**  
 1:2

**PERSPECTIVE**  
 1:25

**WELDED WIRE MESH**  
 -4x4" 21.7 gauge  
 -two layers 150 apart  
 -25 clear of surfaces



300  
 TYP.

300  
 TYP.

**BLOCKOUT**  
 0.60  
 -4" deep  
 from  
 bottom

**BLOCKOUT**  
 2400  
 -4" deep from bottom

**PLAN**  
 1:20

**NOTE:**  
 1. All units are in millimeters U.N.O.



Drawing Title  
**Junior Skateboard Fun Box 4x10**

Drawing No.  
**02870-05**

Drawn: HMK Checked: AO Date Y/M/D 09/11/23 Scale: AS NOTED

2012 Standard Detail

**(This page left intentionally blank)**