

SPORTS FIELDS

1 General

1.1 RELATED WORK

.1 Coordinate the requirements of this section with all other sections, including but not limited to:

- .1 Section 01410 Testing Laboratory Services
- .2 Section 02210 Rough Grading
- .3 Section 02212 Topsoil
- .4 Section 02511 Crusher Dust
- .5 Section 02810 Irrigation
- .6 Section 02870 Site Furniture

1.2 QUALITY CONTROL

.1 **City of Saskatoon, Parks Branch** to approve infield mix (clay loam) and sand used for construction of the infields.

- .1 Submit a one (1) litre sample before delivery to site:
 - .1 Infield Mix (Clay Loam).
 - .2 Sand - Type B.

1.3 INSPECTION

.1 Notify **Consultant** for inspection of:

- .1 Field layouts.
- .2 Infield mix placement and compaction, prior to placement of sand.
- .3 Sand placement and final shaping.

1.4 TESTING

.1 Infield Mix is subject to soil analyses by an approved testing laboratory service.

- .1 PSA-2 (Particle size analysis).

.2 Sand - Type B is subject to sieve analyses provided by an approved testing laboratory service or Contractor submitting required information from supplier.

2 Products

2.1 INFIELD SOIL MIX

- .1 Minimum requirements infield mix to include acceptable soil compositions, as approved or as determined by a PSA-2 test (Particle size analysis) with an allowance of +/- 3% for each component as follows:

Classification	Sand (%)	Silt (%)	Clay (%)
Clay Loam	20	33	47

2.2 SAND

- .1 Sand - Type B: Washed torpedo sand.

2.3 PERIMETER PINS (Soccer Pitches)

- .1 20M rebar, 350mm min. length.

3 Execution

3.1 LAYOUT

- .1 Establish and maintain line and grade controls using appropriate survey personnel and equipment.
 - .1 Contractor is responsible for layout accuracy.
 - .2 Provide ample clearance on all sides for proper execution of the Work.
- .2 Establish the layout of the sportsfield area accurately as indicated.

3.2 SUB GRADE PREPARATION

- .1 See Section 02210 - Rough Grading.
- .2 Approval of sub grade is required before installation of infield soil mix or sportsfield mix.
 - .1 Remove all loose material and compact surface area with equipment suitable for the Work.

3.3 BASEBALL AND SOFTBALL INFIELDS

- .1 Place infield mix (clay loam) evenly throughout infield area.
 - .1 Pulverize the surface to eliminate lumps.
 - .2 Shape and grade as indicated.
 - .3 Compact to 95% Standard Proctor Density.

SPORTS FIELDS

- .4 Eliminate high spots and low spots. The completed, compacted, clay loam surface shall not vary more than 15mm from the design grades.
- .2 Do not proceed with placement of sand until approval to proceed is given.
- .3 Place sand Type B evenly throughout infield area.
 - .1 Shape area to conform to design grades, as indicated.
 - .2 Finished surface requires the finished grades indicated, smooth, even and free from ruts, hollows and humps.
 - .3 Do not contaminate adjacent areas with sand and establish a crisp edge to infield with a turf cutter or spade or using method as approved.

3.4 SOCCER, MULTIPURPOSE AND ULTIMATE FIELDS

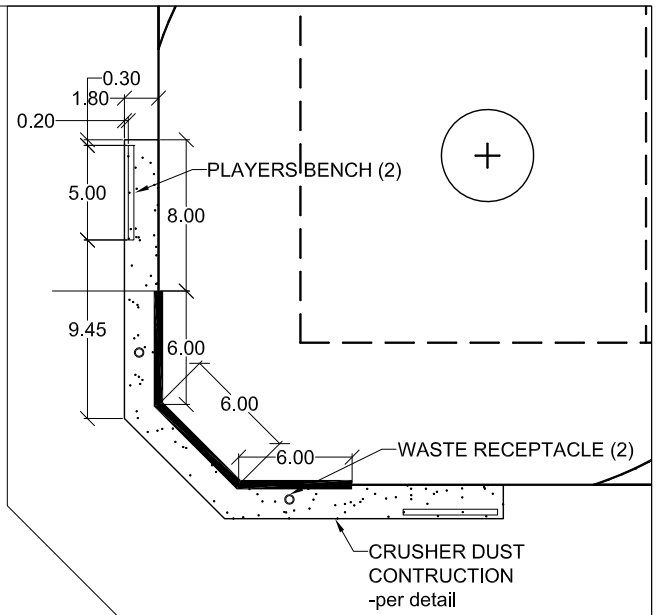
- .1 Install rebar perimeter pins at the four corners of each field.
- .2 Ensure top of pins is 100 - 150mm below finished grade.
- .3 Place sportsfield soil mix. See Section 02212 Topsoil.

3.5 CLEAN-UP

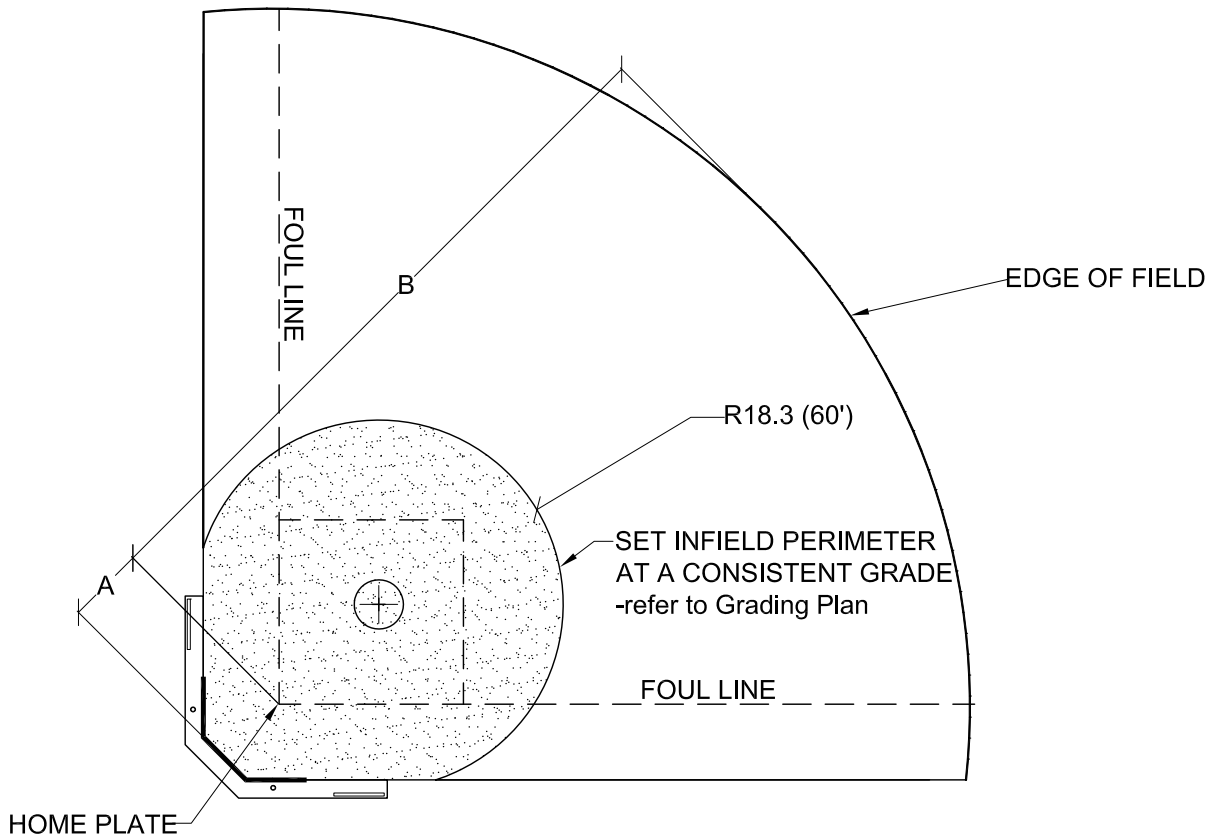
- .1 Clean adjacent walks and road surfaces at the end of each working day.

END OF SECTION

H:\Data\Design\PROJECTS\4209 Landscape\2-Master Specs\2012 Standard Details & Specs\Drawings\2012 drawings\2012-02875-01 Neighbourhood Softball - Layout.dwg



PLAYERS BENCH & FENCES



FIELD DIMENSIONS:

	A	B
69m (225ft)	7.6	68.6

NOTE:

1. All units are in meters U.N.O.

OVERALL



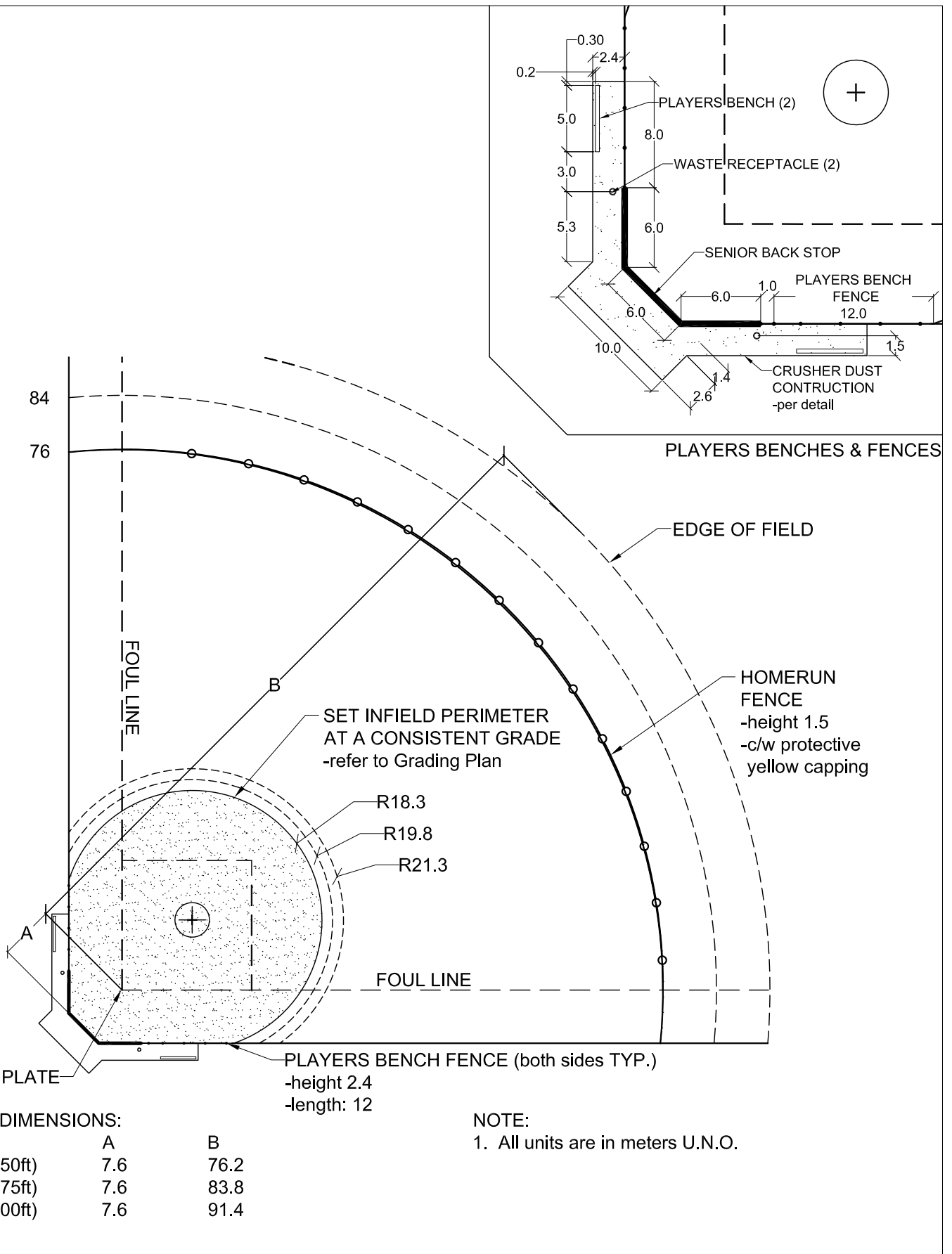
City of Saskatoon
Parks Branch

Drawing Title
Neighbourhood Softball Layout

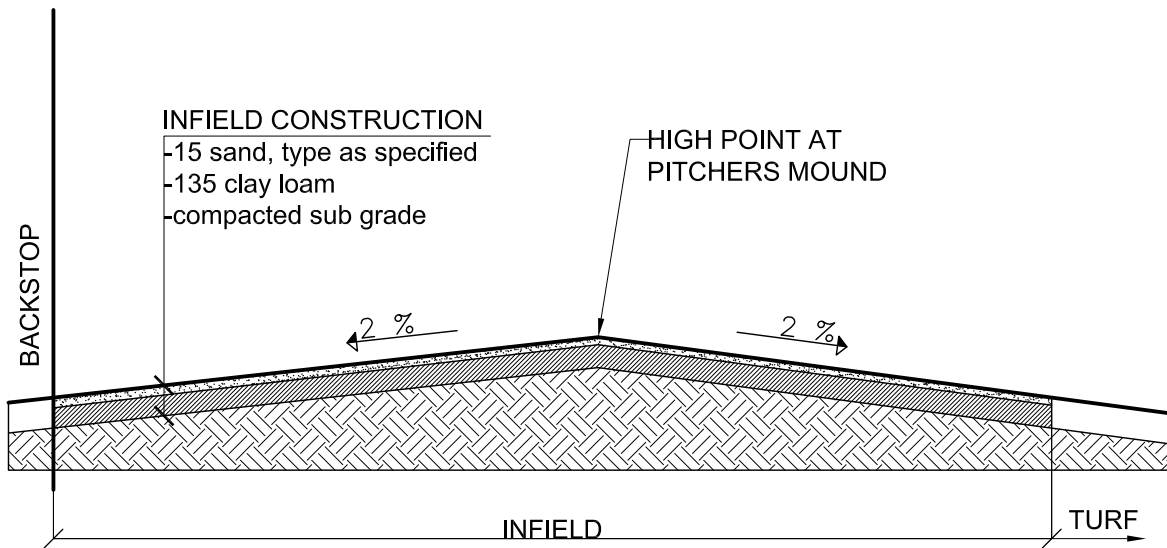
Drawn: BG Checked: AO Date Y/M/D 10/12/17 Scale: N.T.S.

Drawing No.
02875-01

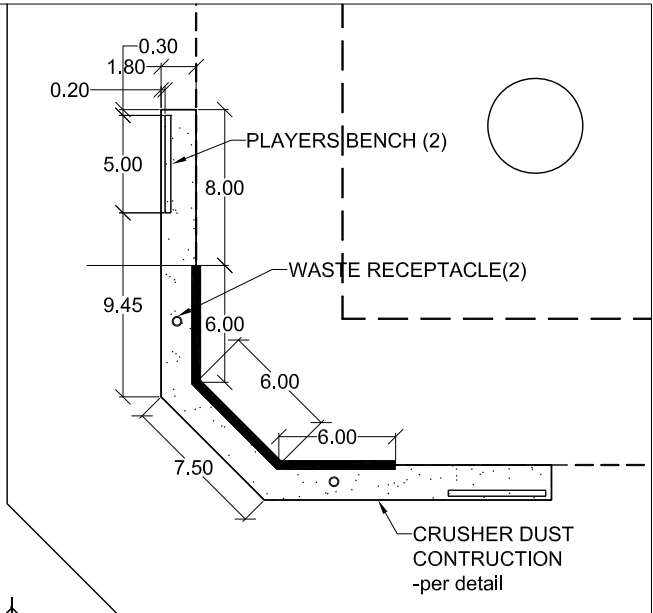
2012 Standard Detail



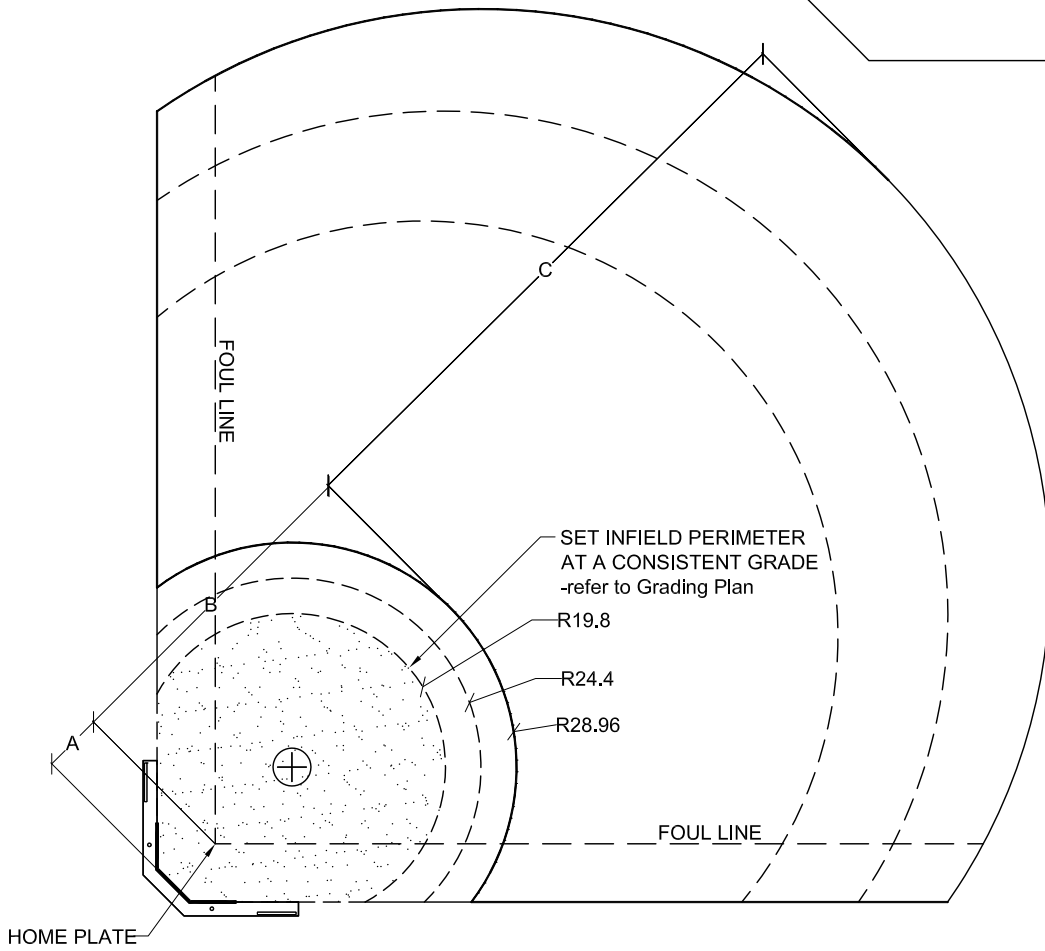
H:\Data\Design\PROJECTS\4209 Landscape\2--Master Specs\Drawings\2012 Standard Details & Specs\Drawings\2012 drawings\2012-02875-03 Infield Construction.dwg



- NOTE:
- 1. All units are in millimeters U.N.O.
 - 2. Vertical scale exaggerated for clarity
 - 3. Infield layout plan, see detail



PLAYERS BENCH & FENCES



FIELD DIMENSIONS:

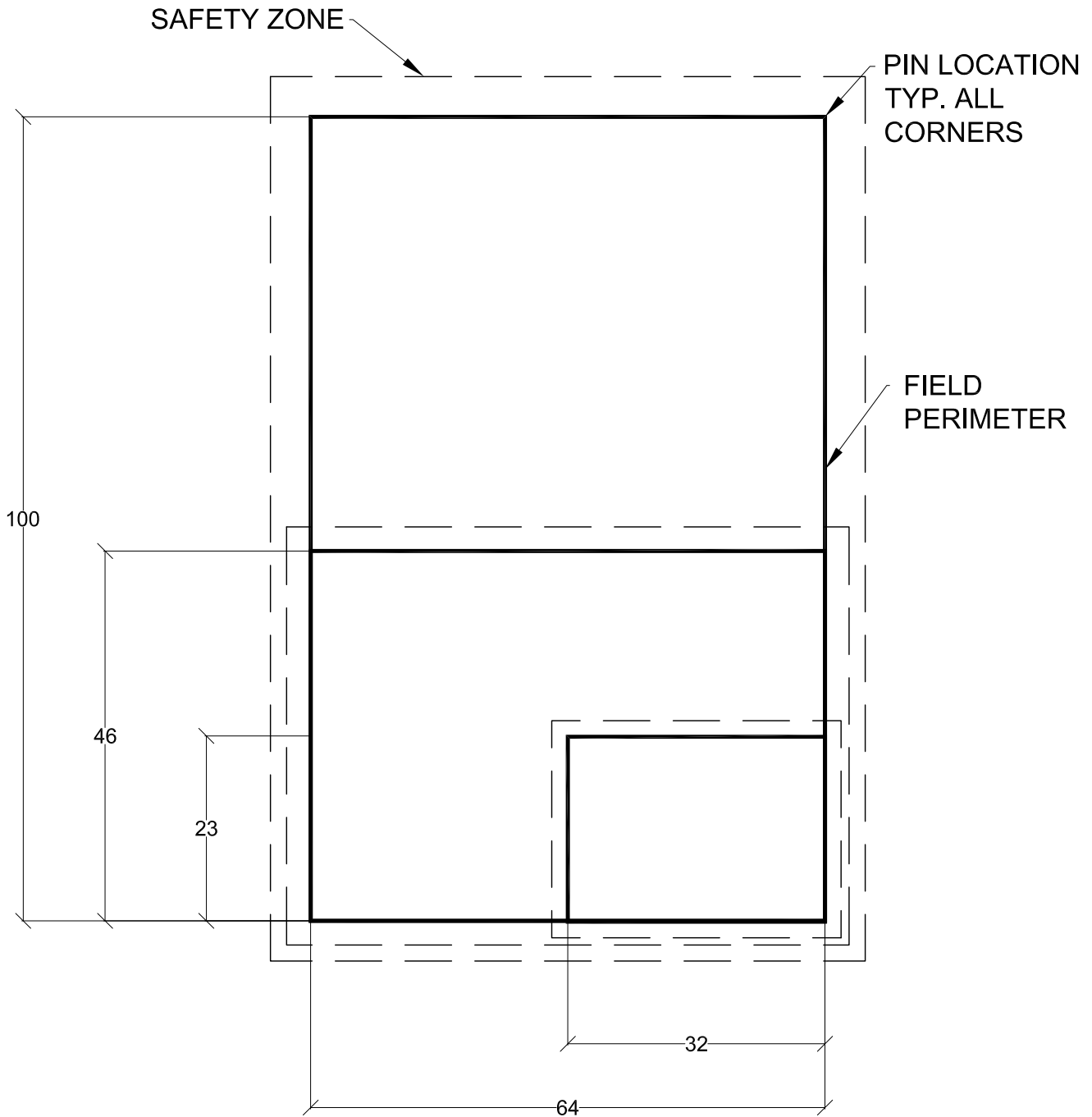
	A	B	C
91.4m (300ft)	7.6	34	58
106.7m (350ft)	7.6	37	68
121.9m(400ft)	7.6	43	79

NOTE:
1. All units are in meters U.N.O.

OVERALL

	Drawing Title		Baseball Layout		Drawing No.	
	Drawn: BG		Checked: AO		Date Y/M/D 10/12/20	
Parks Branch		Scale: N.T.S.		2012 Standard Detail		

H:\Data\Design\PROJECTS\4209 Landscape\2-Master Specs\Drawings\2012 Standard Details & Specs\Drawings\2012 drawings\2012-02875-05 Soccer Field - Layout.dwg



SAFETY ZONE DIMENSIONS

FIELD	LENGTH	WIDTH
32 X 23	36	27
64 X 46	70	52
100 X 64	110	74

* NOTE: Standard safety zone for 64 x 100 field may be expanded. Refer to Specific Conditions.



Drawing Title

Multipurpose Field
Layouts

Drawn: BG

Checked: AO

Date Y/M/D 10/12/20

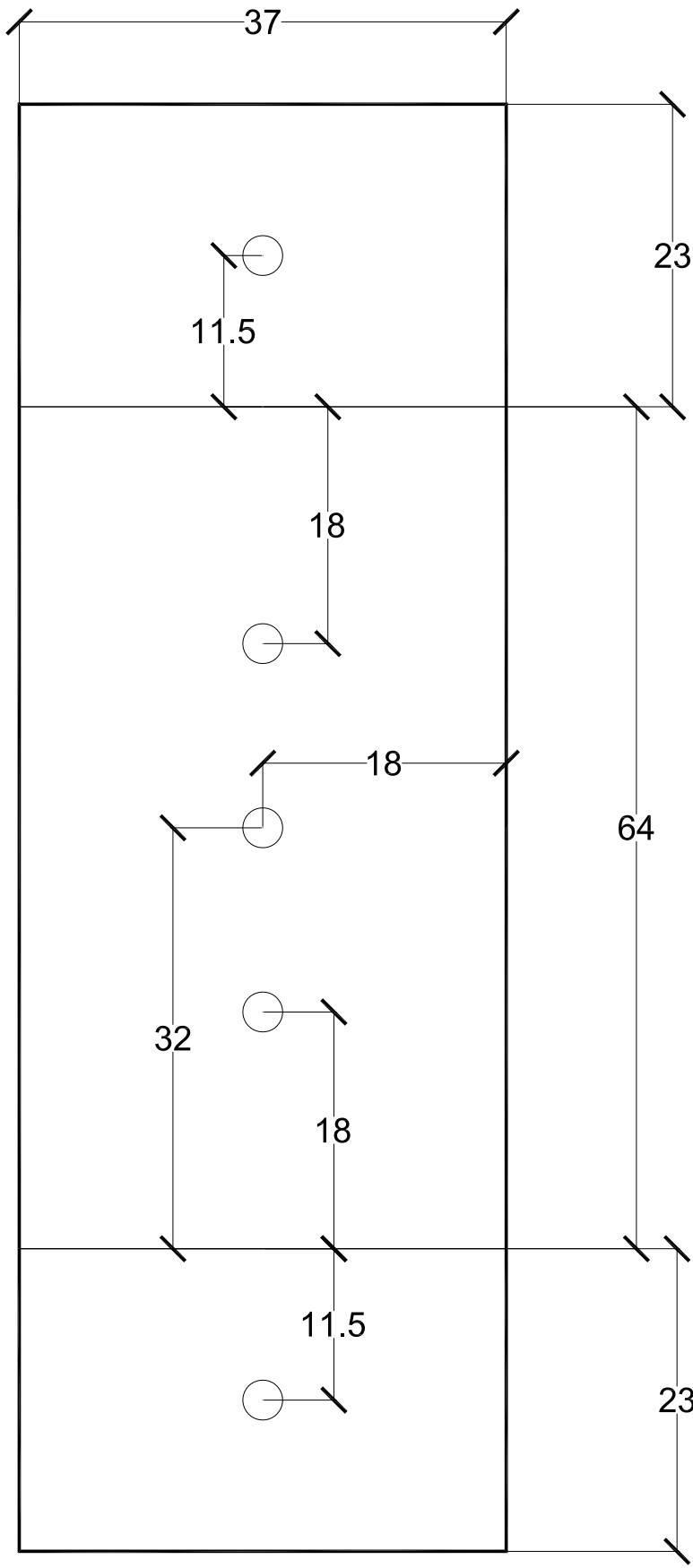
Scale: N.T.S.

Drawing No.

02875-05

2012 Standard Detail

H:\Data\Design\PROJECTS\4209 Landscape\2-Master Specs\2012 Standard Details & Specs\Drawings\2012 drawings\2012-02875-06 Ultimate Disc - Layout.dwg



FIELD MARKS:

- Bricks - 18m
- Reverse Brick - 11.5m
- Midfield - 32m

NOTE:

- 1. All units are in meters U.N.O.



Drawing Title

Ultimate Disc
Playfield

Drawing No.

02875-06

Drawn: BG

Checked: AO

Date Y/M/D 10/12/20

Scale: N.T.S.

2012 Standard Detail

(This page left intentionally blank)