

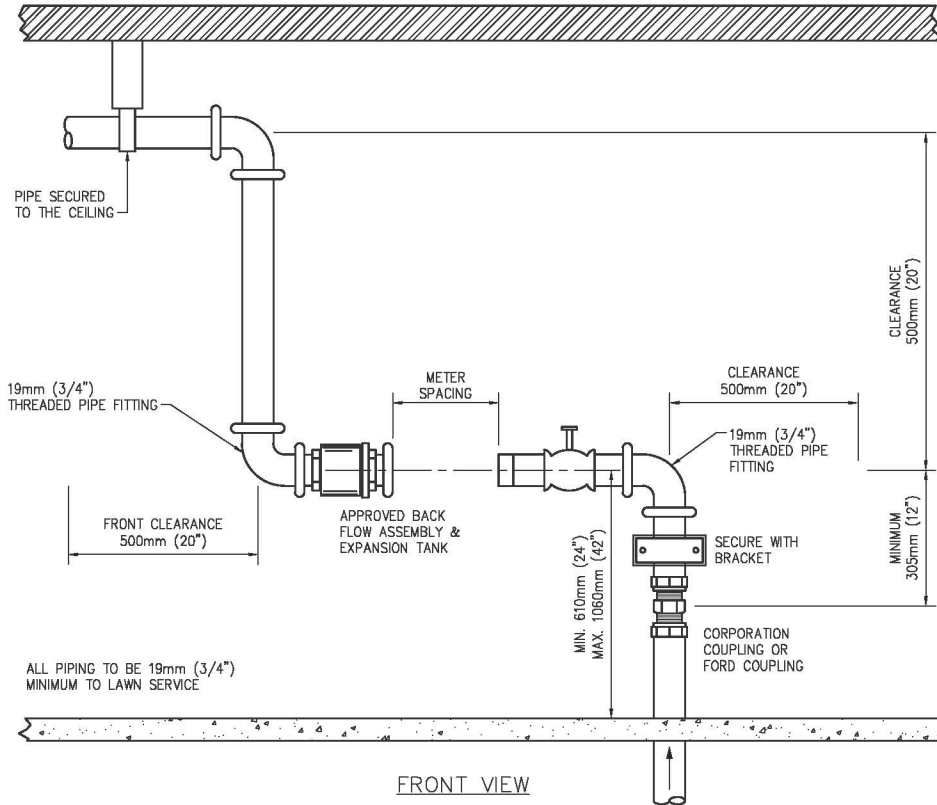
EXTRACT FROM BYLAW #7567 PASSED ON SEPTEMBER 9, 1996

**NEW WATER METERS**

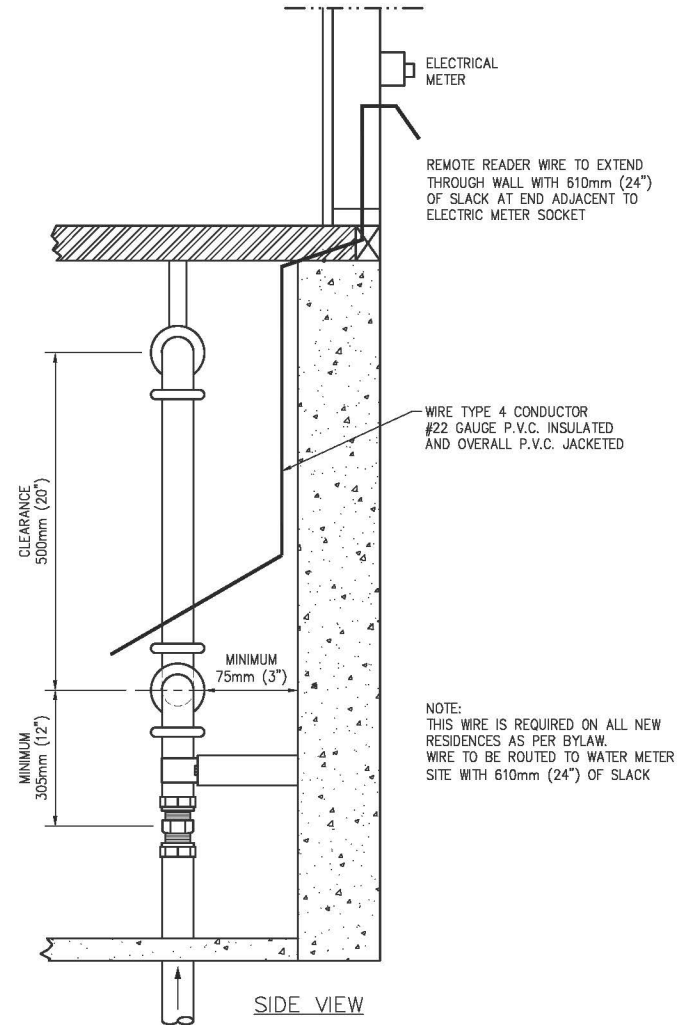
24. (1) ALL RESIDENTIAL AND MULTI-UNIT RESIDENTIAL DWELLINGS UNITS CONSTRUCTED AFTER THE PASSAGE OF THIS BYLAW SHALL HAVE A REMOTE READOUT WATER METER AT A LOCATION DETERMINED BY SASKATOON WATER DEPARTMENT.
- (2) THE WIRE TYPE USED FOR THE INSTALLATION OF A REMOTE READOUT WATER METER SHALL BE CSA TYPE PCC, FT4, 22AWG OR EQUIVALENT, INSTALLED AT THE OWNER'S EXPENSE.

**METER SPACING (F.I.P. TO F.I.P.)**

- 16mm (5/8") = 300mm (11 3/4")
- 19mm (3/4") = 330mm (13")
- 25mm (1") = 380mm (15")



FRONT VIEW



SIDE VIEW

**NOTES:**

1. METER MUST BE SITUATED IN AN ACCESSIBLE LOCATION WITH NO PERMANENT FIXTURES WITHIN 500mm (20") OF THE METER.
2. APPROVED BACK FLOW ASSEMBLY, APPROPRIATE FOR THE HAZARD CLASSIFICATION MUST BE INSTALLED WITHIN 3m OF SERVICE ENTRY.
3. THE OWNER SHALL PROVIDE A SUITABLE SITE FOR THE WATER METER AT A HORIZONTAL SETTING, WITHIN 2m OF POINT OF ENTRY FOR THE WATER SERVICE CONNECTION INSIDE THE BUILDING AS PER BYLAW #7567.
4. CORPORATION COUPLING MUST BE SECURED SO THAT THE SERVICE IS HELD FIRMLY IN PLACE.
5. CURB COCK (CC) MUST BE BETWEEN 150mm & 230mm (6"-9") FROM BELOW FINISHED BACK OF SIDEWALK GRADE, AND POLY PIPE MARKER LEFT IN PLACE AND EXPOSED.

PLAN DESCRIPTION/REVISION	DATE	BY
1 ORIGINAL STANDARD SPECIFICATION DRAWING	2011-JUN-30	TPD
2 CHGD NUMBER SYSTEM & TITLE BLOCK. ADDED CORPORATION COUPLING	2015-SEP-16	CJP
3 CHGD DWG NUMBER, CHGD TITLE BLOCK, AND REMOVED CONTACT INFO	2024-FEB-28	MJ/DLH



**TYPICAL WATER METER INSTALLATION  
(5/8" - 1" METER)**

**APPROVALS**

<i>Chris Richards</i> SIGNATURE	<i>Russ Munro</i> SIGNATURE
Christopher Richards NAME	Russ Munro NAME
Mar 18, 2024 DATE SIGNED	Mar 19, 2024 DATE SIGNED
SCALES: HOR. NTS VERT.	PLAN NO. <b>102-0013-023r003</b>