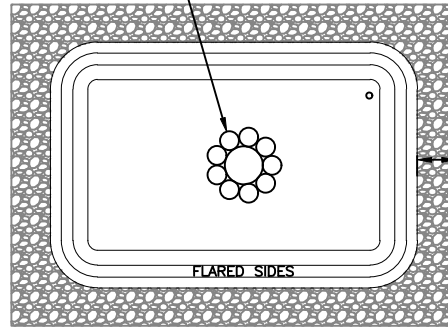


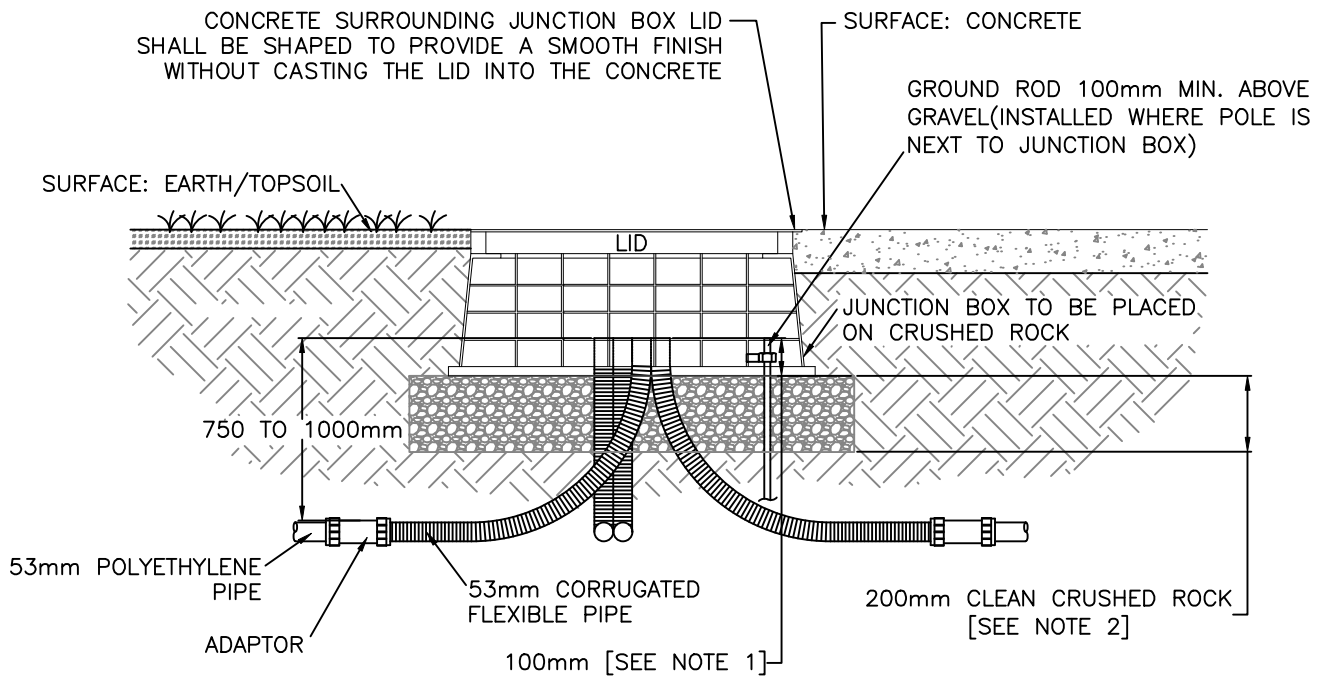
CENTRE DUCTS IN JUNCTION BOX.
 IF THE JUNCTION BOX IS CLOSEST TO THE CABINET INSTALL 2-100mm 90° ELBOWS TO CABINET IN CENTRE AND ALL OTHER DUCTS AROUND IT. SEE DWG. 102-0016-033. ATTACH ALL DUCTS TOGETHER WITH DUCT TAPE OR ZIP TIES AND CAP ENDS.



TOP VIEW

NOTES:

1. CONDUIT TO BE CUT PARALLEL TO SURFACE
2. CLEAN 200mm CRUSHED ROCK SHALL BE SUFFICIENTLY COMPACTED TO PREVENT SHIFTING OF THE JUNCTION BOX



FRONT VIEW

NOTE: ALL INSTALLATIONS MUST COMPLY WITH THE CANADIAN ELECTRICAL CODE AND TECHNICAL AUTHORITY OF SASKATCHEWAN REQUIREMENTS.

PLAN DESCRIPTION/REVISION	DATE	BY
5 REVISED NOTES AND IMAGERY	2024-DEC-23	SCT
4 REVISED NOTES	2006-JAN-31	BAJ
3 REVISED DUCT LAYOUT	2006-JAN-31	BAJ
2 JUNCTION BOX INSTALLATION	2006-JAN-31	HO



JUNCTION BOX
 INSTALLATION DETAILS
 SPECIFICATION 12600-8

APPROVALS	
Buchko, Michelle <small>Digitally signed by Buchko, Michelle Date: 2026.03.24 11:45:17 -06'00'</small> SIGNATURE NAME DATE SIGNED	Petras, Julian <small>Digitally signed by Petras, Julian Date: 2026.03.31 11:39:11 -06'00'</small> SIGNATURE NAME DATE SIGNED
SCALES: HOR. NTS VERT.	PLAN NO. 102-0016-019r005