

# Lot Draw Addendum

For:

**Evergreen – Phase 8**

**Residential Lot Draw**



---

NEIGHBOURHOOD: Evergreen  
LOCATION: Akhtar Bend; Boykowich Bend, Crescent, Link, and Street; Baltzan Bay, Boulevard, Cove, and Terrace; Marlatte Crescent, Street, and Lane.

Addendum No.: 1  
Page: 1 of 9  
Date: May 22, 2014.

Addition to the original Lot Draw Package, released May 3, 2014.

Acknowledgement of receipt of this addendum shall be stated on the Agreement for Sale.

## Individual Lot Grade Drawings

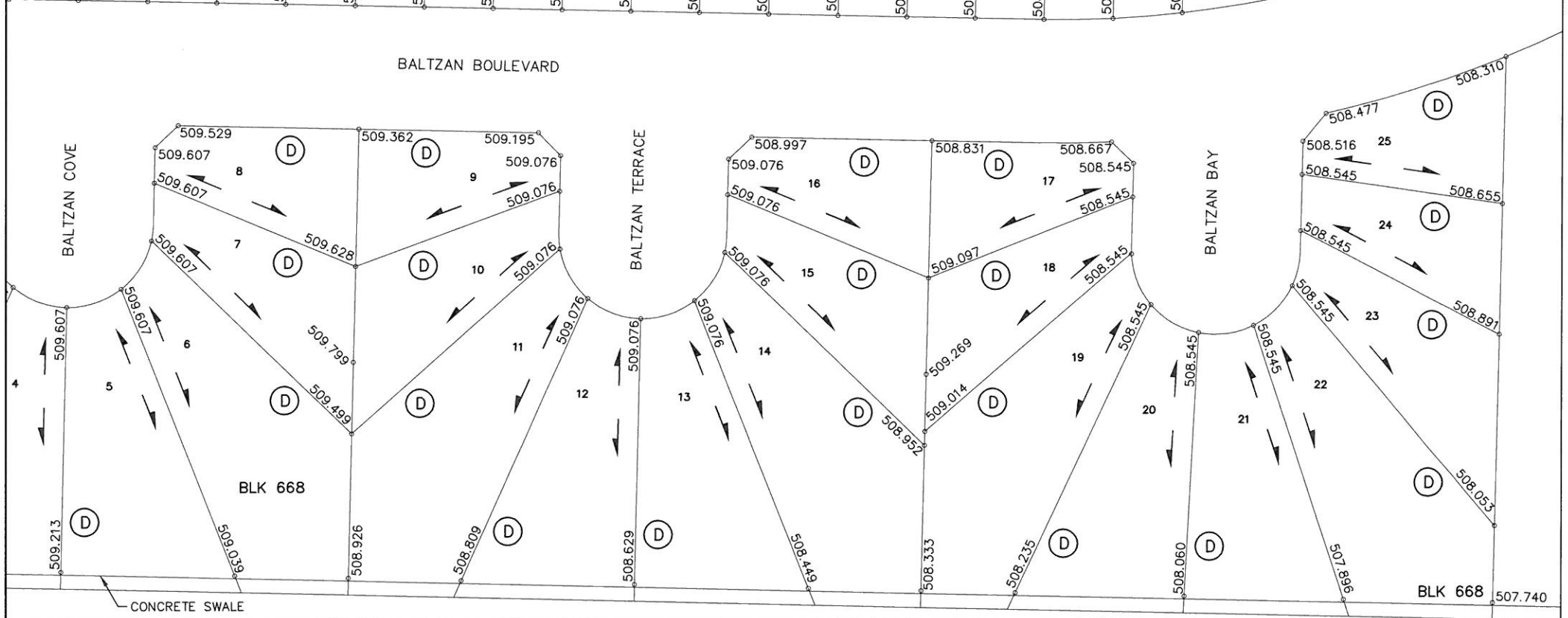
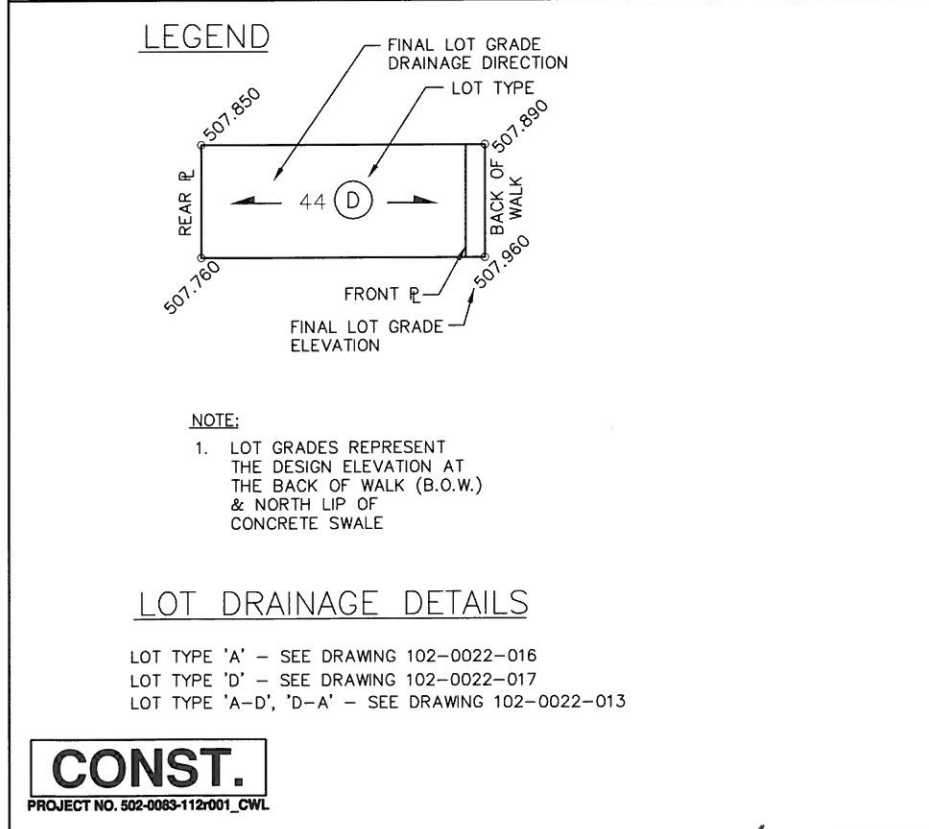
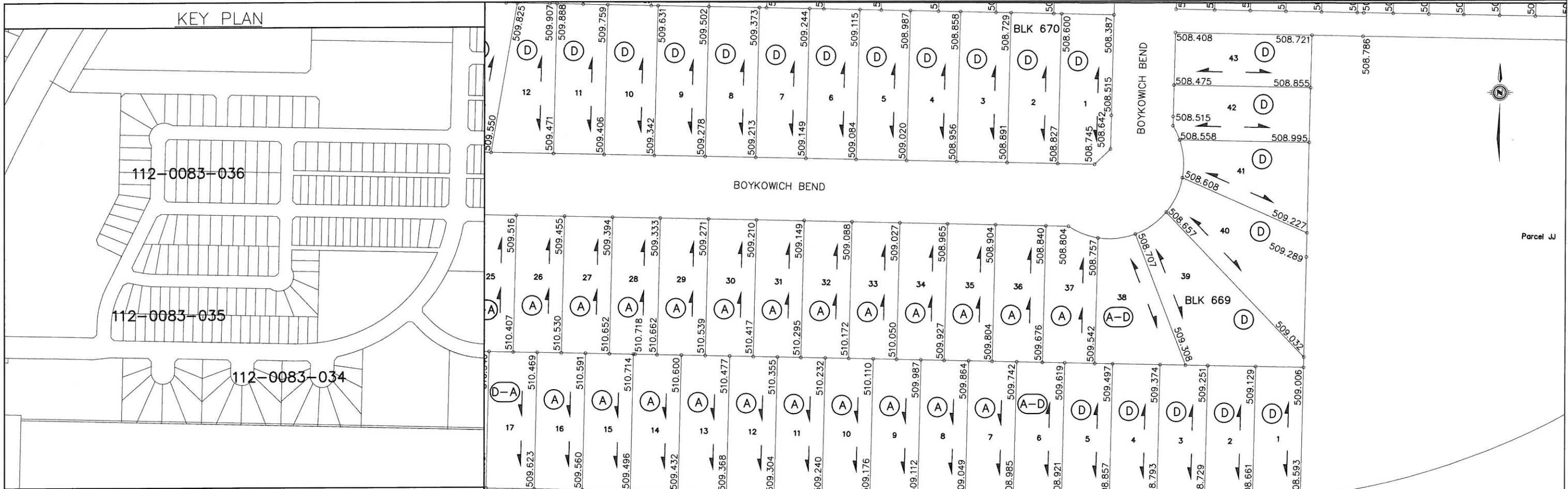
---

Individual Lot Grade Drawings show the final design elevations at property corners and at other points that are deemed critical elevation points. It is important that builders and homeowners match these grades with final landscape elevations. These elevations are required as a minimum for building plan approval.

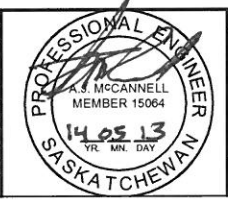
The attached drawing indicates the individual lot grades for lots located in the following Blocks:

Blocks 668 to 670, Plan 102137633  
Blocks 670 to 673, Plan 102146891  
Blocks 675 to 678, Plan 102145159

Attachment 1: Individual Lot Grades (8 pages)



NO.	PLAN DESCRIPTION/REVISION	DATE	BY
11			
10			
9			
8			
7			
6			
5			
4			
3			
2			
1			



CHECKED BY: \_\_\_\_\_ DATE: \_\_\_\_\_

CHECKED BY: \_\_\_\_\_ DATE: \_\_\_\_\_

DRAWN BY: KAS DATE: 2014-MAR-20



EVERGREEN ROADWAYS - PHASE D1

LOT GRADES  
BOYKOWICH BEND &  
BALTZAN BOULEVARD, COVE, TERRACE & BAY

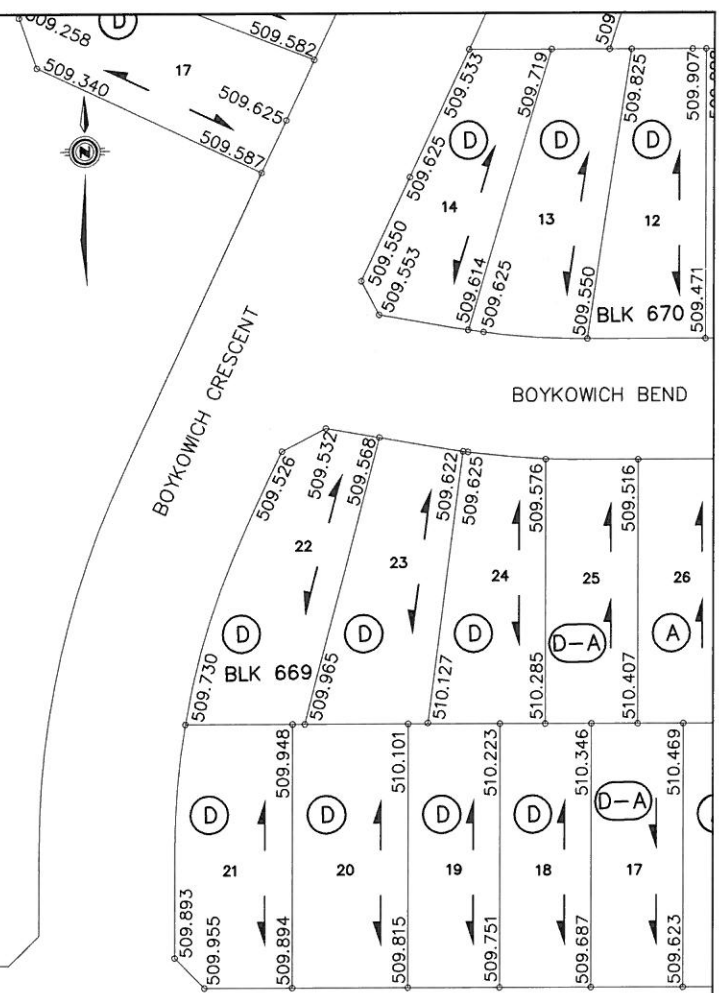
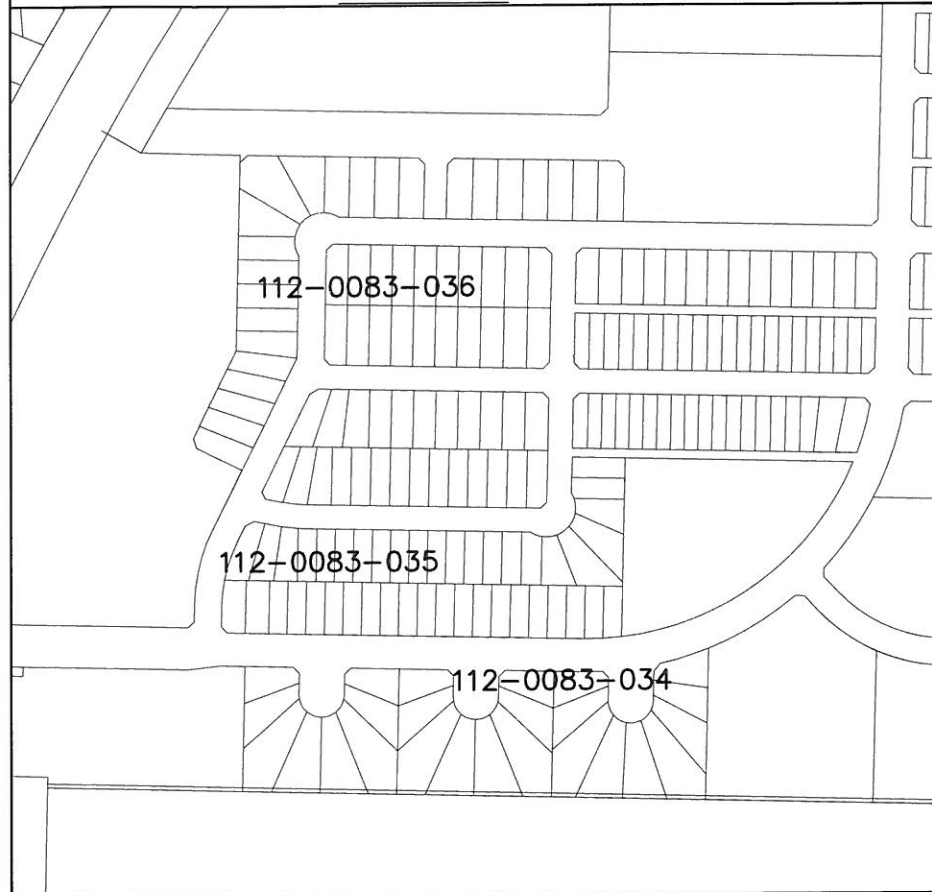
CHIEF ENGINEER: \_\_\_\_\_

SCALE: 1:1000

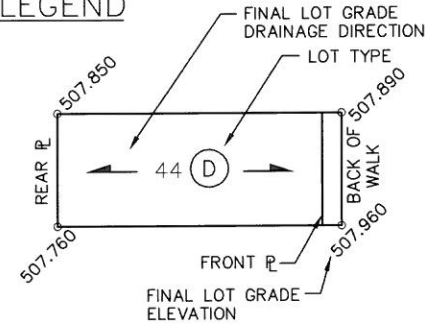
DATE: \_\_\_\_\_

SHEET NO: \_\_\_\_\_ PLAN NO: 112-0083-034r001

KEY PLAN



LEGEND



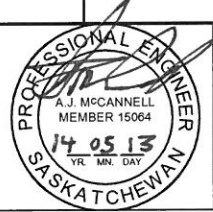
NOTE:  
 1. LOT GRADES REPRESENT THE DESIGN ELEVATION AT THE BACK OF WALK (B.O.W.) & NORTH LIP OF CONCRETE SWALE

LOT DRAINAGE DETAILS

LOT TYPE 'A' - SEE DRAWING 102-0022-016  
 LOT TYPE 'D' - SEE DRAWING 102-0022-017  
 LOT TYPE 'A-D', 'D-A' - SEE DRAWING 102-0022-013

**CONST.**  
 PROJECT NO. 502-0083-112/001\_CWL

NO.	PLAN DESCRIPTION/REVISION	DATE	BY
11			
10			
9			
8			
7			
6			
5			
4			
3			
2			
1			



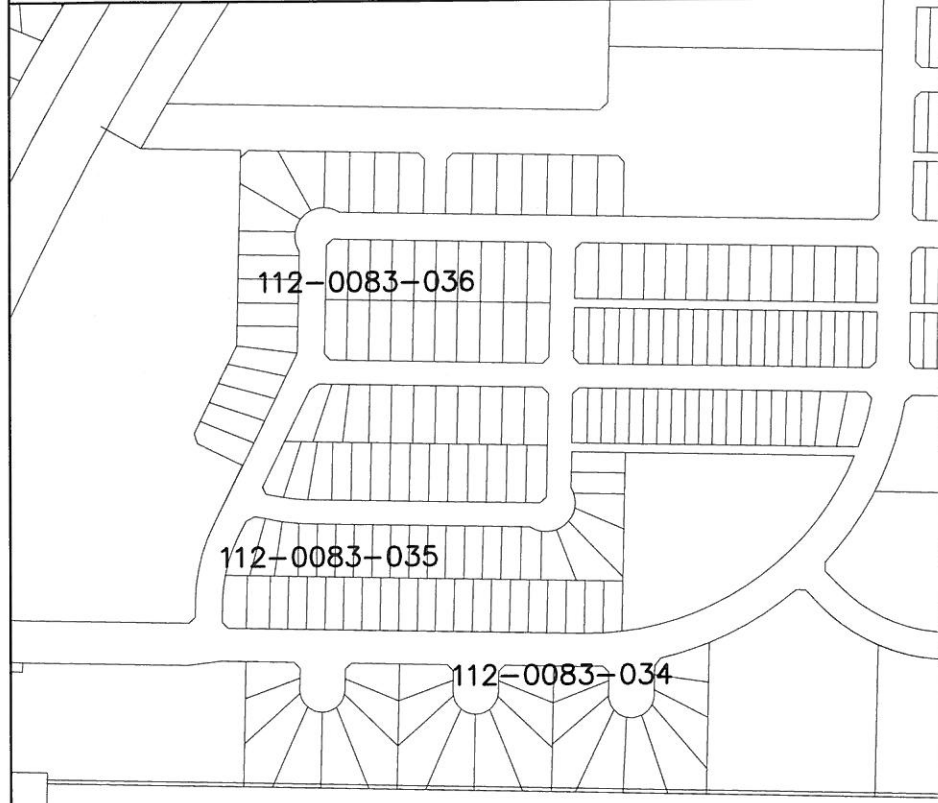
CHECKED BY:	CHECKED BY:
DATE	DATE
DRAWN BY: KAS	DATE: 2014-MAR-20



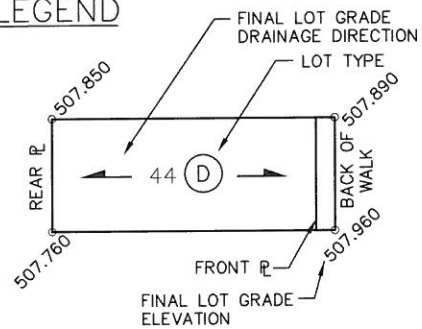
EVERGREEN ROADWAYS - PHASE D1  
 LOT GRADES  
 BOYKOWICH CRESCENT, BEND &  
 BALTZAN BOULEVARD, COVE, TERRACE, BAY

CHIEF ENGINEER	DATE
SCALES: HOR: 1:1000	
SHEET NO.	PLAN NO.
	112-0083-035r001

KEY PLAN



LEGEND



NOTE:

1. LOT GRADES REPRESENT THE DESIGN ELEVATION AT THE BACK OF WALK (B.O.W.)

LOT DRAINAGE DETAILS

LOT TYPE 'A' - SEE DRAWING 102-0022-016  
 LOT TYPE 'D' - SEE DRAWING 102-0022-017  
 LOT TYPE 'C' - SEE DRAWING 102-0022-018  
 LOT TYPE 'E' - SEE DRAWING 102-0022-019  
 LOT TYPE 'A-D', 'D-A' - SEE DRAWING 102-0022-013  
 LOT TYPE 'D-C', 'C-D' - SEE DRAWING 102-0022-014  
 LOT TYPE 'C-E', 'E-C' - SEE DRAWING 102-0022-021

**CONST.**  
 PROJECT NO. 502-0083-112r001\_CWL

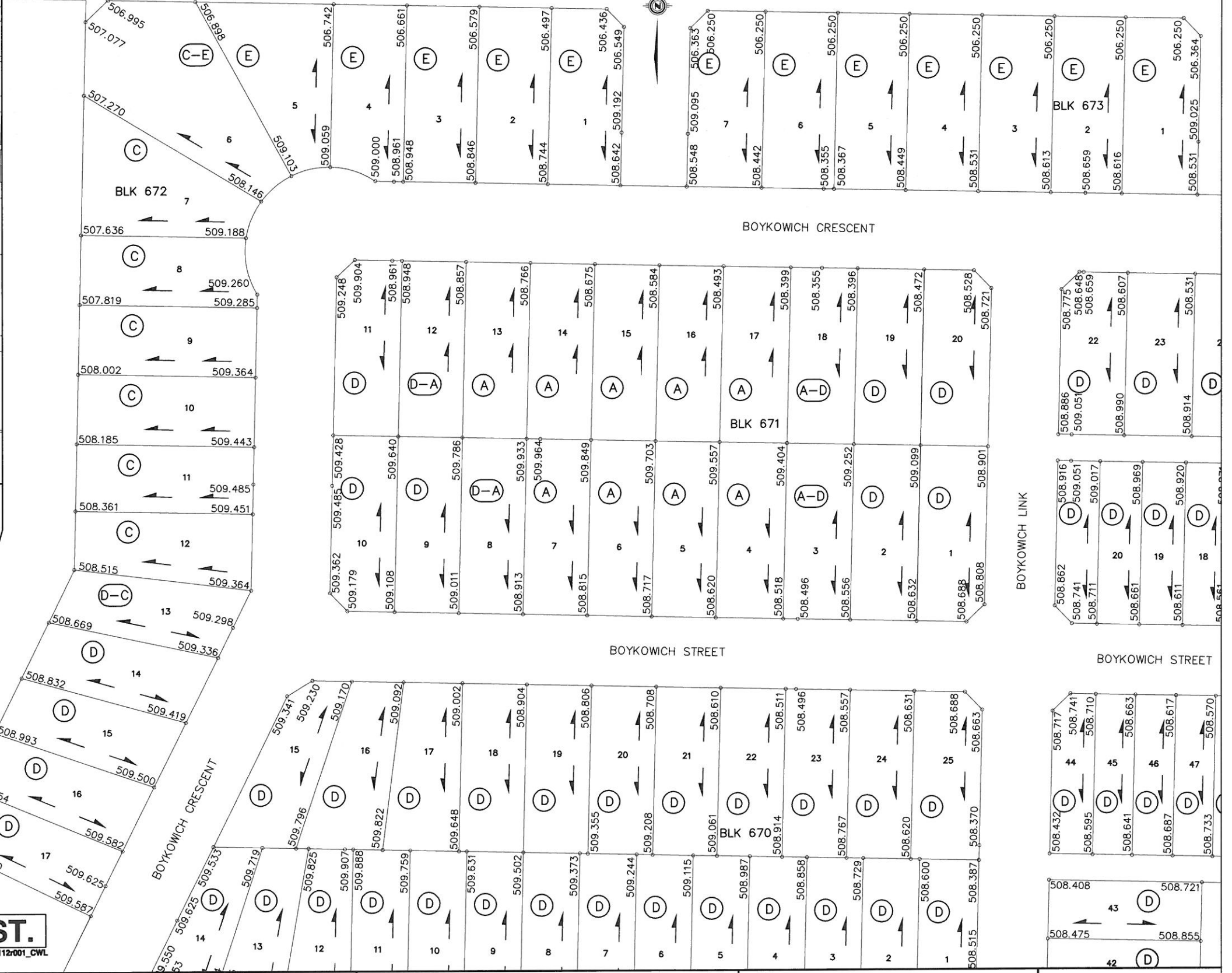
NO.	PLAN DESCRIPTION/REVISION	DATE	BY
11			
10			
9			
8			
7			
6			
5			
4			
3			
2			
1			

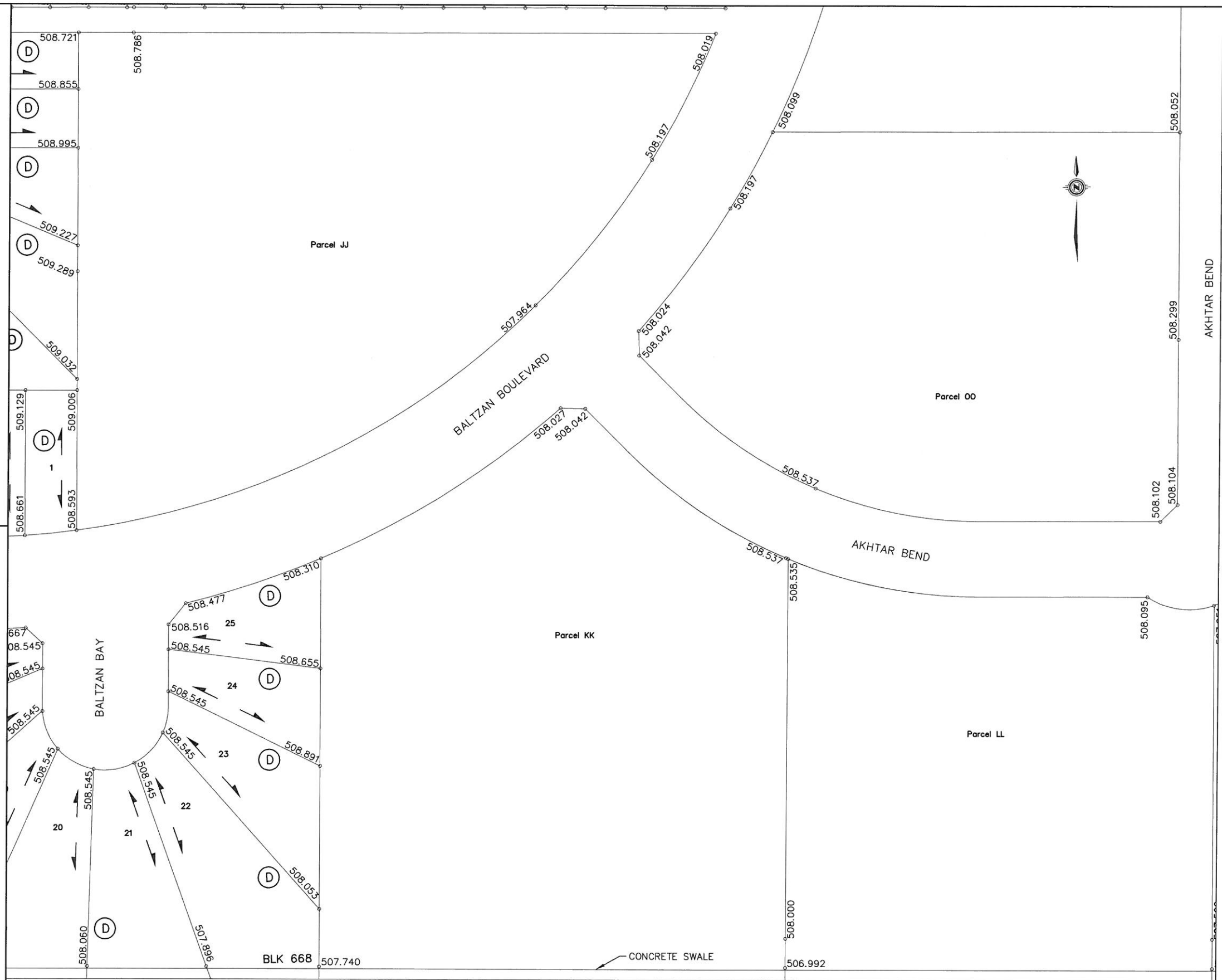


CHECKED BY:	CHECKED BY:
DATE:	DATE:
DRAWN BY: KAS	DATE: 2014-MAR-20

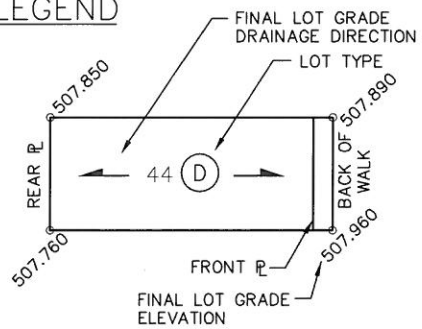


EVERGREEN ROADWAYS - PHASE D1	
LOT GRADES	
BOYKOWICH CRESCENT, STREET & LINK	
CHIEF ENGINEER:	DATE:
SCALES: 1:1000	
HOR.:	
VERT.:	
SHEET NO.:	PLAN NO.:
112-0083-036r001	





**LEGEND**



**NOTE:**

1. LOT GRADES REPRESENT THE DESIGN ELEVATION AT THE BACK OF WALK (B.O.W.) & NORTH LIP OF CONCRETE SWALE

**LOT DRAINAGE DETAILS**

LOT TYPE 'D' - SEE DRAWING 102-0022-017

**CONST.**

PROJECT NO. 502-0083-113r001\_CWL

11			
10			
9			
8			
7			
6			
5			
4			
3			
2			
1			
PLAN DESCRIPTION/REVISION	DATE	BY	

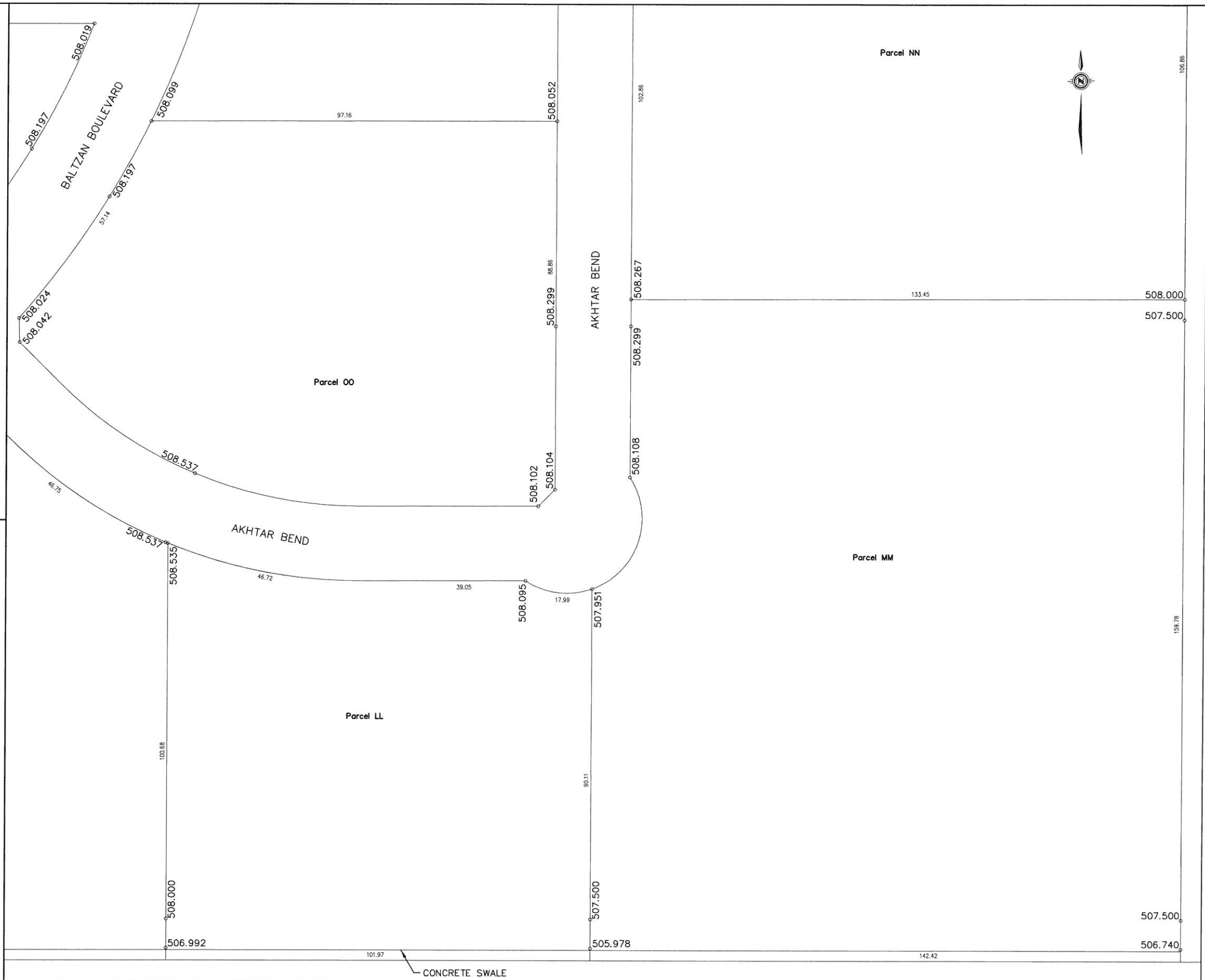


CHECKED BY:	CHECKED BY:
DATE	DATE
DRAWN BY: KAS	DATE: 2014-MAR-20

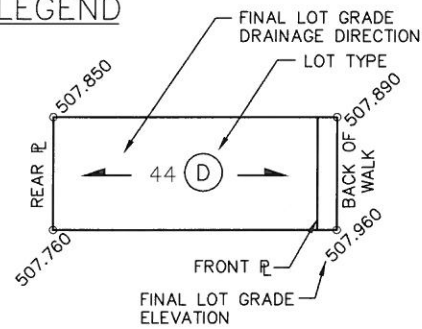


EVERGREEN ROADWAYS - PHASE D2	
LOT GRADES	
BALTZAN BOULEVARD & AKHTAR BEND	
SHEET NO.	PLAN NO.
	112-0083-037r001

CHIEF ENGINEER	
SCALES:	DATE
HOR. 1:1000	
VERT.	



**LEGEND**



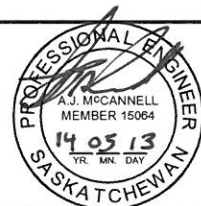
**NOTE:**

1. LOT GRADES REPRESENT THE DESIGN ELEVATION AT THE BACK OF WALK (B.O.W.) & NORTH LIP OF CONCRETE SWALE

**CONST.**

PROJECT NO. 502-0083-113r001\_CWL

11			
10			
9			
8			
7			
6			
5			
4			
3			
2			
1			
PLAN DESCRIPTION/REVISION	DATE	BY	



CHECKED BY:	CHECKED BY:
DATE	DATE
DRAWN BY: KAS	DATE: 2014-MAR-20

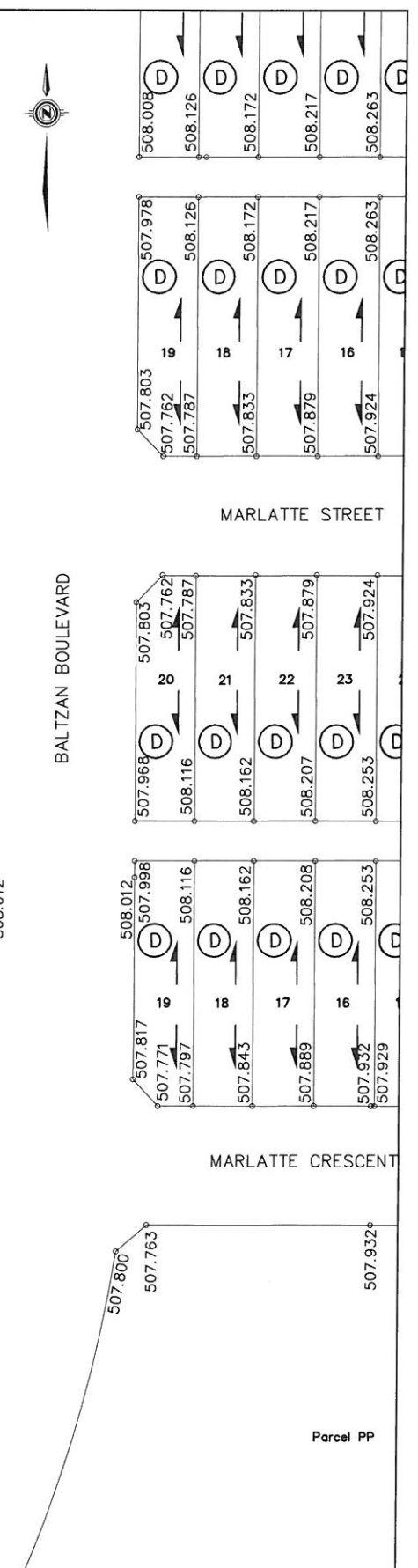
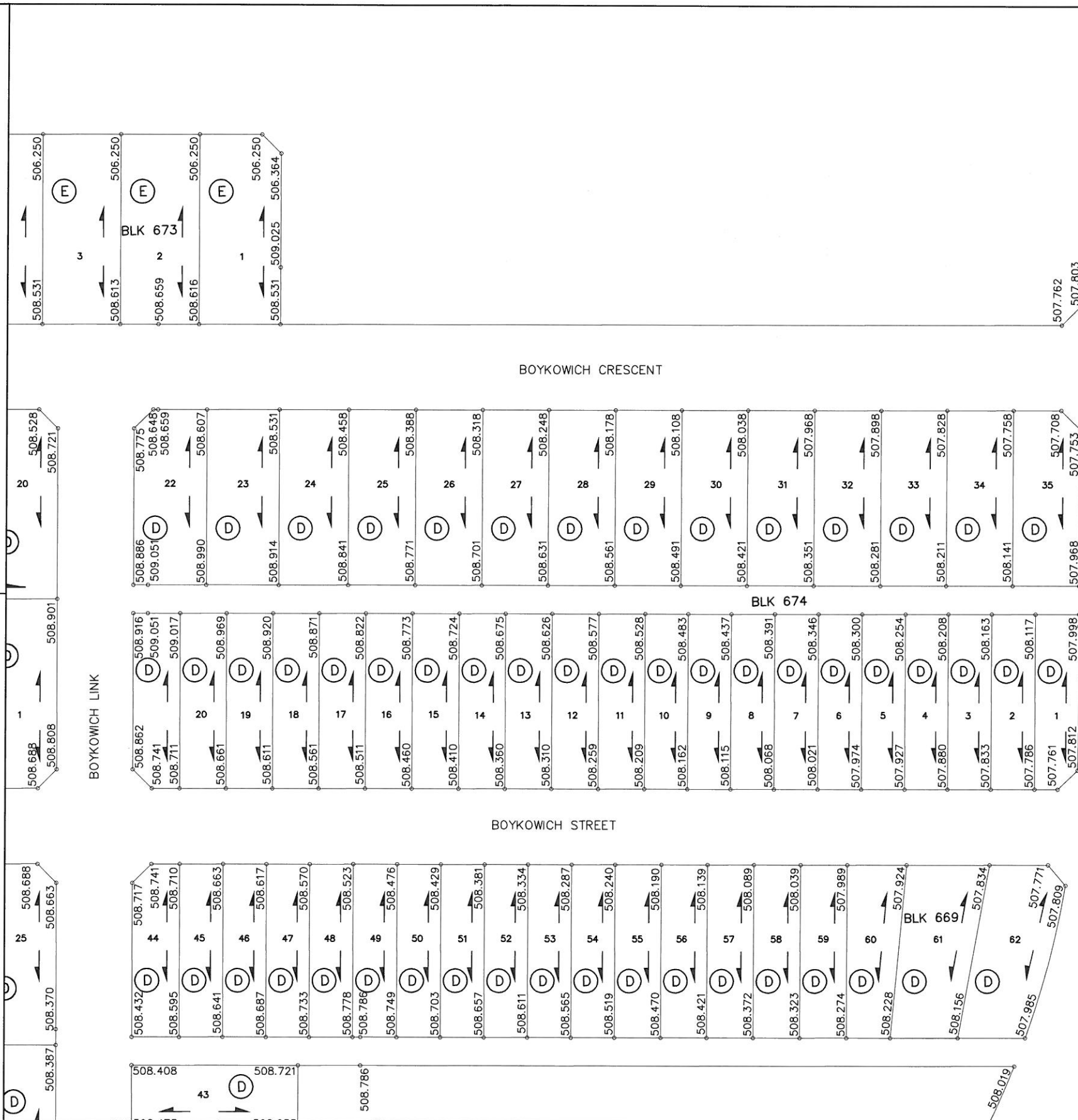


EVERGREEN ROADWAYS - PHASE D2

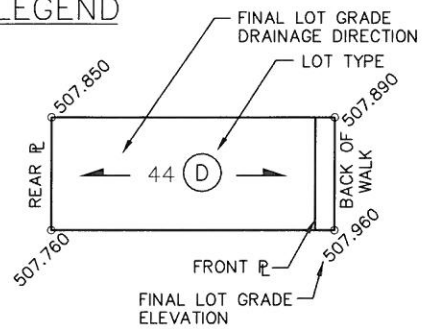
LOT GRADES  
BALZAN BOULEVARD & AHKTAR BEND

CHIEF ENGINEER	DATE
SCALES:	
HOR: 1:1000	
VERT:	
SHEET NO	PLAN NO

112-0083-038r001



**LEGEND**



**NOTE:**

- 1. LOT GRADES REPRESENT THE DESIGN ELEVATION AT THE BACK OF WALK (B.O.W.)

**LOT DRAINAGE DETAILS**

LOT TYPE 'D' - SEE DRAWING 102-0022-017  
 LOT TYPE 'E' - SEE DRAWING 102-0022-019

**CONST.**  
 PROJECT NO. 502-0083-113/001\_CWL

NO.	PLAN DESCRIPTION/REVISION	DATE	BY
11			
10			
9			
8			
7			
6			
5			
4			
3			
2			
1			

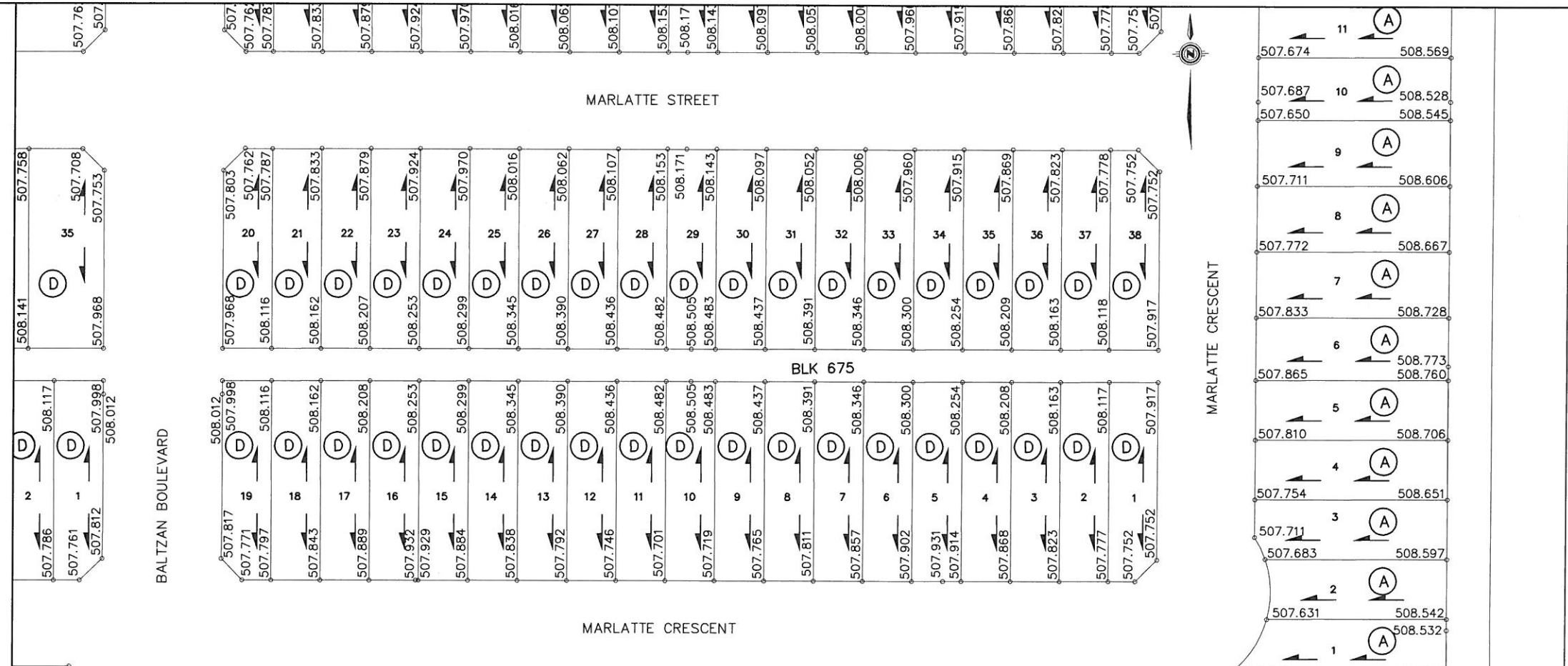


CHECKED BY:	CHECKED BY:
DATE:	DATE:
DRAWN BY: KAS	DATE: 2014-MAR-20

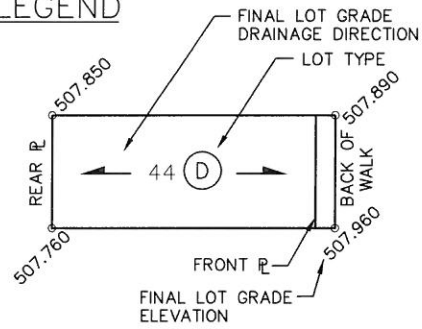


EVERGREEN ROADWAYS - PHASE D2  
**LOT GRADES**  
 BOYKOWICH CRESCENT, STREET & LINK  
 MARLATTE CRESCENT & STREET  
 BALTZAN BOULEVARD

CHIEF ENGINEER	DATE
SCALES:	
HOR. 1:1000	
VERT.	
SHEET NO.	PLAN NO.
	112-0083-039r001



**LEGEND**



**NOTE:**

- 1. LOT GRADES REPRESENT THE DESIGN ELEVATION AT THE BACK OF WALK (B.O.W.)

**LOT DRAINAGE DETAILS**

LOT TYPE 'A' - SEE DRAWING 102-0022-016  
 LOT TYPE 'D' - SEE DRAWING 102-0022-017

**CONST.**  
 PROJECT NO. 502-0083-113/001\_CWL

NO.	PLAN DESCRIPTION/REVISION	DATE	BY
11			
10			
9			
8			
7			
6			
5			
4			
3			
2			
1			



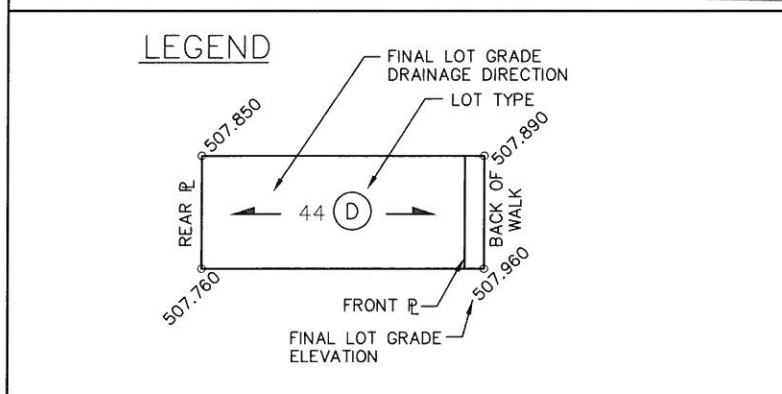
CHECKED BY:	CHECKED BY:
DATE:	DATE:
DRAWN BY: KAS	DATE: 2014-MAR-20



EVERGREEN ROADWAYS - PHASE D2  
**LOT GRADES**  
 BALTZAN BOULEVARD, AKHTAR BEND  
 MARLATTE CRESCENT & STREET

CHIEF ENGINEER	DATE
SCALES: HORIZ. 1:1000	DATE
VERT. _____	DATE
SHEET NO. _____	PLAN NO. 112-0083-040r001





**NOTE:**  
 1. LOT GRADES REPRESENT THE DESIGN ELEVATION AT THE BACK OF WALK (B.O.W.)

**LOT DRAINAGE DETAILS**

LOT TYPE 'A' - SEE DRAWING 102-0022-016  
 LOT TYPE 'D' - SEE DRAWING 102-0022-017

**CONST.**  
 PROJECT NO. 502-0083-113/001\_CWL

11			
10			
9			
8			
7			
6			
5			
4			
3			
2			
1			
PLAN DESCRIPTION/REVISION		DATE	BY



CHECKED BY:	CHECKED BY:
DATE	DATE
DRAWN BY: KAS	DATE: 2014-MAR-20



EVERGREEN ROADWAYS - PHASE D2  
 LOT GRADES  
 BALTZAN BOULEVARD, MARLATTE CRESCENT,  
 STREET & LANE

SHEET NO.		PLAN NO.	
112-0083-041r001			
SCALE: 1:1000		DATE	
VER.			
CHIEF ENGINEER			

