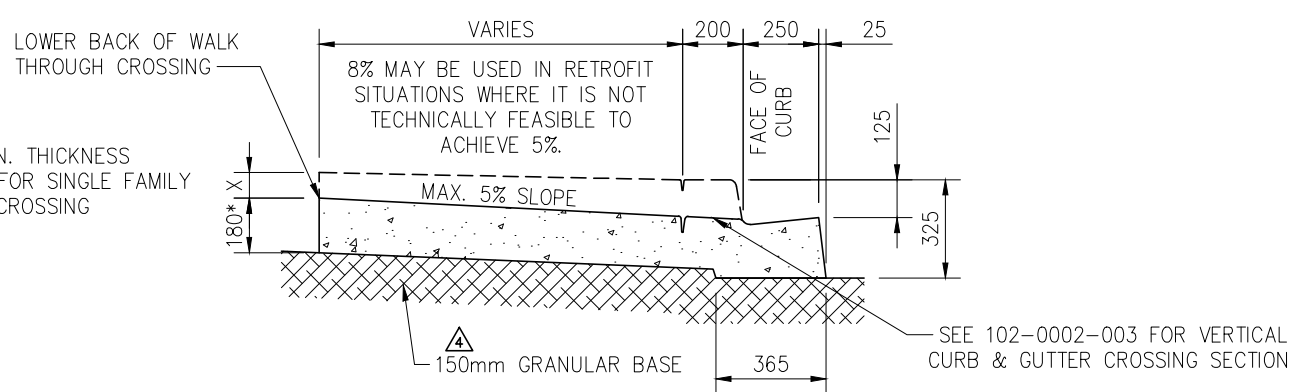
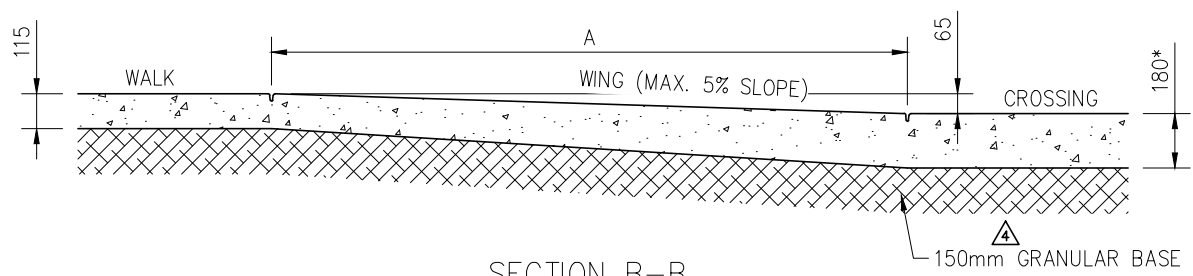


PLAN VIEW
SCALE 1:50



SECTION A-A
THROUGH CROSSING
SCALE 1:25



SECTION B-B
AT BACK OF WING
SCALE 1:25

NOTES:

1. CONCRETE STANDARD:
32 MPa DURA-MIX CONCRETE
5-8% AIR AS PER SPEC.
2. COMPACTION STANDARD:
98% STANDARD PROCTOR AS PER SPEC.
3. BROOM FINISH WALK TRANSVERSELY.
BROOM FINISH CURB & GUTTER LONGITUDINALLY.
4. BROOM OVER ALL CONTROL JOINTS.
5. SPACING OF CONTROL JOINTS TO BE 1.5m
6. SIDEWALK WIDTH VARIES ACCORDING TO STREET CLASSIFICATION REQUIREMENTS.

A = LENGTH OF WING MAY VARY TO ACCOMMODATE 5% MAXIMUM SLOPE

PLAN DESCRIPTION/REVISION	DATE	BY
1 ORIGINAL STANDARD DRAWING	1999-FEB-01	RO
2	2009-FEB-09	VK
3 UPDATED TO ALIGN WITH THE DESIGN & DEVELOPMENT STANDARDS	2020-FEB-13	PRZ
3 MANUAL AND POLICY C07-030 - STREET DESIGN	2020-FEB-13	PRZ
4 UPDATED TO ALIGN WITH SIDEWALK BEST PRACTICES REPORT	2020-SEP-02	DLH

**CROSSING
COMBINED SIDEWALK,
150mm VERTICAL CURB & GUTTER**

APPROVALS	
<i>Chris Duriez</i>	<i>Maciej Jurkiewicz</i>
SIGNATURE Christopher Duriez	SIGNATURE Maciej Jurkiewicz
NAME Jan 25, 2021	NAME Jan 25, 2021
DATE SIGNED	DATE SIGNED
SCALES: HOR. AS NOTED VERT.	PLAN NO. 102-0002-006r004