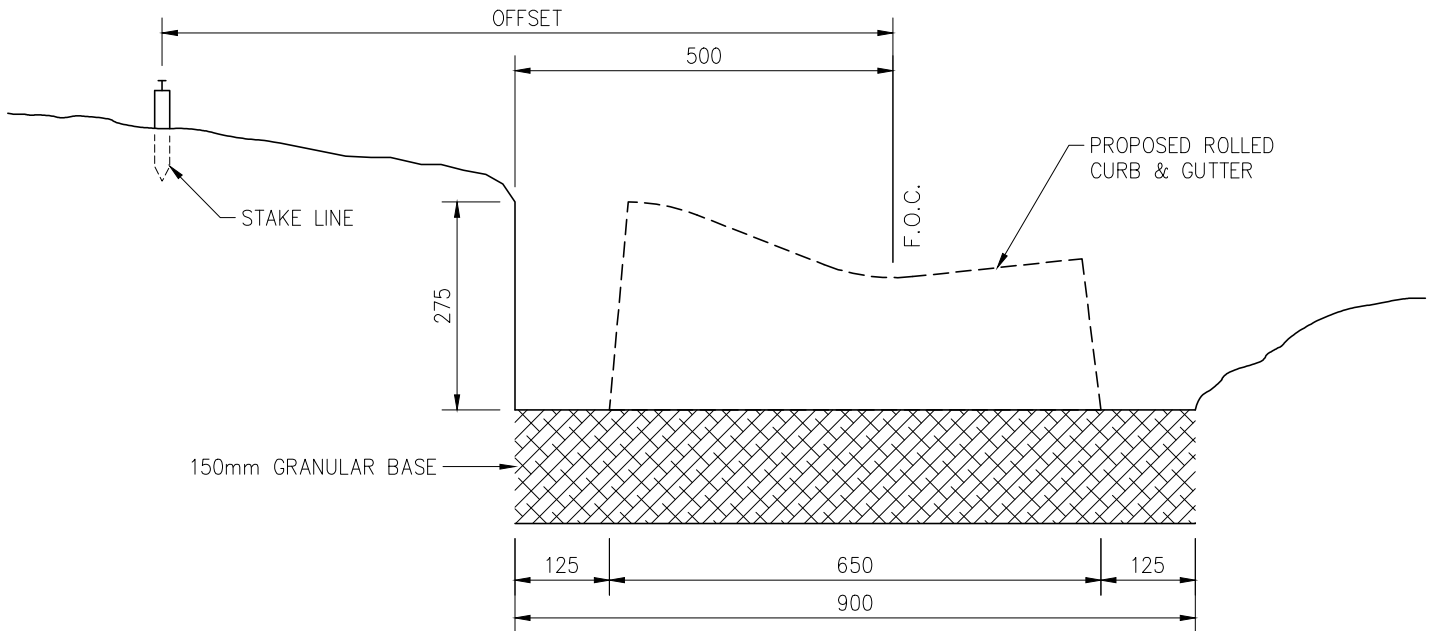



* 325mm WITH 150mm VERTICAL CURB
 375mm WITH 200mm VERTICAL CURB



PLAN DESCRIPTION/REVISION			DATE	BY	APPROVALS	
1	UPDATED NOTES		1999-JUN-23	RO	<div style="display: flex; justify-content: space-between;"> <div style="width: 45%;"> <p><i>Chris Duriez</i></p> <p>SIGNATURE</p> <p>Christopher Duriez</p> <p>NAME</p> <p>Jan 25, 2021</p> <p>DATE SIGNED</p> </div> <div style="width: 45%;"> <p><i>Maciej Jurkiewicz</i></p> <p>SIGNATURE</p> <p>Maciej Jurkiewicz</p> <p>NAME</p> <p>Jan 25, 2021</p> <p>DATE SIGNED</p> </div> </div>	
2	UPDATED TO ALIGN WITH SIDEWALK BEST PRACTICES REPORT		2020-SEP-09	DLH		
					SCALES: HOR. 1:10 VERT. _____	
 GRADE CONSTRUCTION FOR CURB & GUTTER					PLAN NO. 102-0002-018r002	