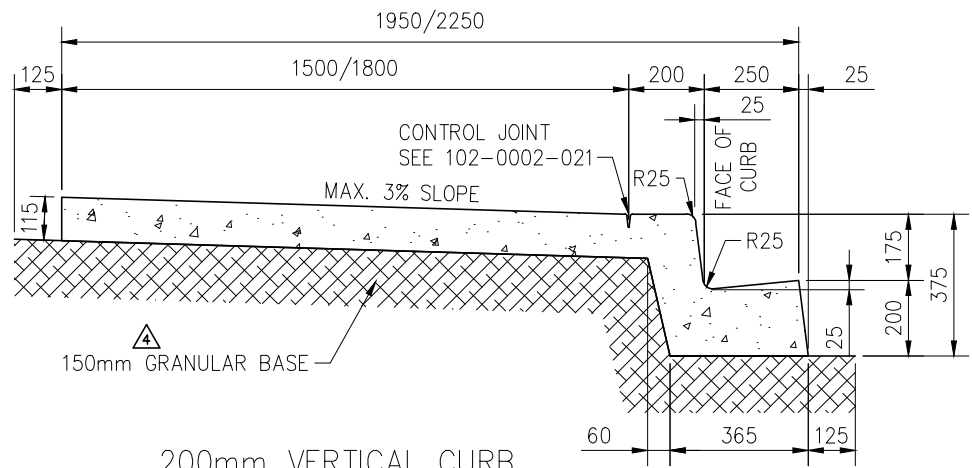
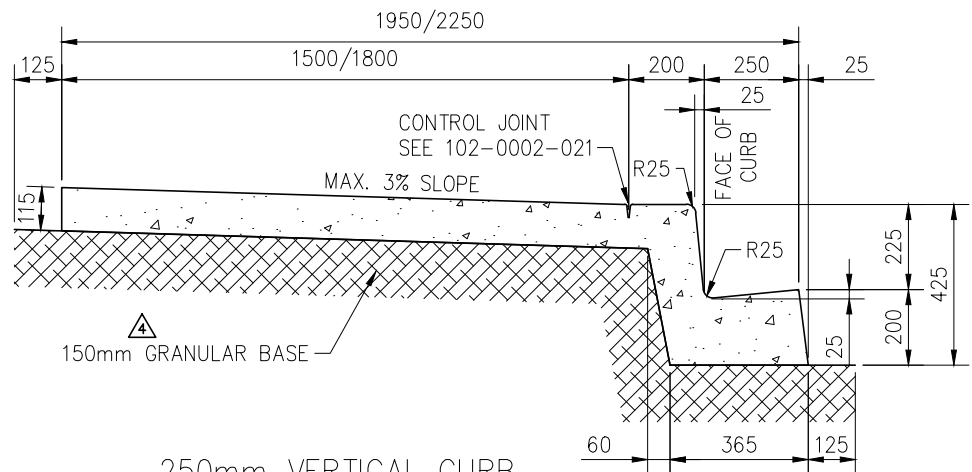


150mm VERTICAL CURB




200mm VERTICAL CURB



250mm VERTICAL CURB
APPROVED FOR USE AT TRANSIT STOPS

NOTES:

1. CONCRETE STANDARD:
32 MPa DURA-MIX CONCRETE
5-8% AIR AS PER SPEC.
2. COMPACTION STANDARD:
98% STANDARD PROCTOR AS PER SPEC.
3. BROOM FINISH WALK, CURB FACE & GUTTER.
BROOM OVER ALL CONTROL JOINTS.
4. SPACING OF CONTROL JOINTS TO BE 1.5m
5. VERIFY SIDEWALK WIDTH ACCORDING TO STREET CLASSIFICATION REQUIREMENTS.
SIDEWALK WIDTH MAY VARY TO MATCH EXISTING FOR RETROFIT APPLICATIONS.

PLAN DESCRIPTION/REVISION	DATE	BY	APPROVALS		
1 ORIGINAL STANDARD DRAWING	1999-FEB-01	RO	 <p>COMBINED SIDEWALK, VERTICAL CURB & GUTTER</p>	<p><i>Chris Duriez</i></p> <p>SIGNATURE Christopher Duriez</p> <p>NAME Jan 25, 2021</p> <p>DATE SIGNED</p>	
2 ADDED 250mm VERTICAL CURB	2020-JAN-31	PRZ			<p><i>Maciej Jurkiewicz</i></p> <p>SIGNATURE Maciej Jurkiewicz</p> <p>NAME Jan 25, 2021</p> <p>DATE SIGNED</p>
3 UPDATED TO ALIGN WITH THE DESIGN & DEVELOPMENT STANDARDS	2020-FEB-13	PRZ			
3 MANUAL AND POLICY C07-030 - STREET DESIGN	2020-FEB-13	PRZ			
4 UPDATED TO ALIGN WITH SIDEWALK BEST PRACTICES REPORT	2020-SEP-14	DLH	<p>SCALES: HOR. 1:20 VERT.</p>	<p>PLAN NO. 102-0002-029r004</p>	