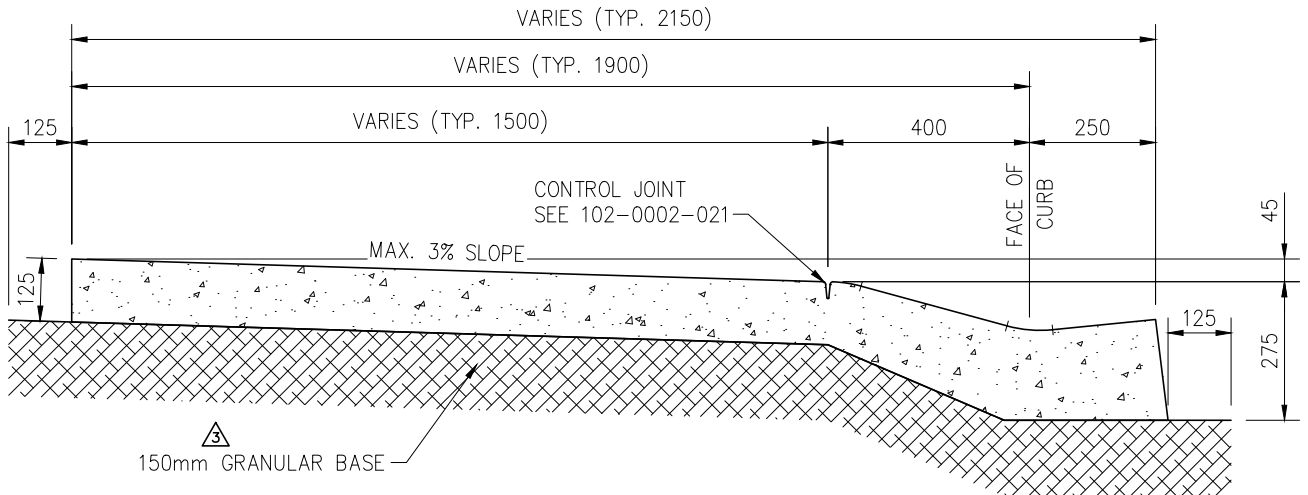

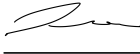



ROLLED CURB & GUTTER



NOTES:

1. CONCRETE STANDARD:  
32 MPa DURA-MIX CONCRETE  
5-8% AIR AS PER SPEC.
2. COMPACTION STANDARD:  
98% STANDARD PROCTOR AS PER SPEC.
3. BROOM FINISH WALK TRANSVERSELY.  
BROOM FINISH CURB & GUTTER LONGITUDINALLY.
4. BROOM OVER ALL CONTROL JOINTS.
5. SPACING OF CONTROL JOINTS TO BE 1.5m.
6. SIDEWALK WIDTH MAY VARY TO MATCH EXISTING FOR RETROFIT APPLICATIONS.

PLAN DESCRIPTION/REVISION			DATE	BY	APPROVALS			
1	ORIGINAL STANDARD DRAWING		1999-FEB-01	RO	 SIGNATURE Christopher Duriez NAME Jan 25, 2021 DATE SIGNED		 SIGNATURE Maciej Jurkiewicz NAME Jan 25, 2021 DATE SIGNED	
2	UPDATED TO ALIGN WITH THE DESIGN & DEVELOPMENT STANDARDS		2020-FEB-13	PRZ				
2	MANUAL AND POLICY C07-030 - STREET DESIGN		2020-FEB-13	PRZ				
3	UPDATED TO ALIGN WITH SIDEWALK BEST PRACTICES REPORT		2020-SEP-15	DLH				
 City of <b>Saskatoon</b>					COMBINED SIDEWALK, ROLLED CURB & GUTTER			
					SCALES: HOR. 1:15 VERT.		PLAN NO. 102-0002-030r003	