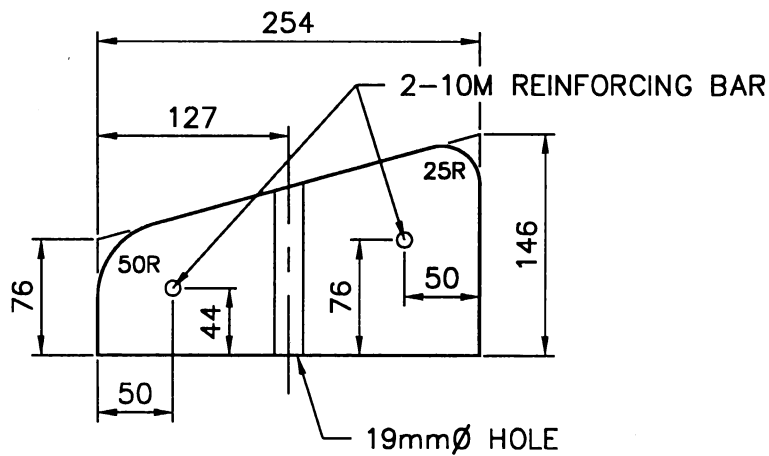
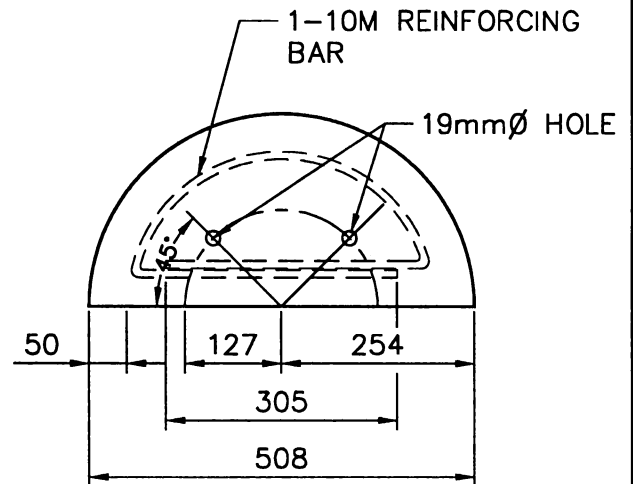


PLAN OF CURB
SCALE 1:15



CURB SECTION A-A
SCALE 1:5



PLAN OF MEDIAN CURB END
SCALE 1:10

NOTE:

1. CURBS SHALL BE SECURED TO THE FOUNDATION WITH DRIFT PINS, PINS SHALL BE 16mm ϕ x 381mm. EACH PIN SHALL HAVE A SHARPENED POINT AND NO HEAD.
2. IF REQUIRED, RADII, LARGER THAN 254mm, WILL BE SPECIFIED.
3. DIMENSIONS ARE IN MILLIMETERES.
4. MINOR VARIATIONS IN DIMENSIONS MAY BE TOLERATED AT THE DISCRETION OF THE ENGINEER.

REVISIONS	
1	
2	
3	
DRAWN BY <u>J. LEIER</u>	
DATE <u>00-02-10</u>	
CHECKED BY _____	
DATE _____	



PRECAST CONCRETE CURB

APPROVED	
GENERAL MANAGER	<i>[Signature]</i> P. ENG.
ENGINEER	<i>[Signature]</i>
ENGINEER	<i>[Signature]</i>
SCALES: HOR. <u>AS NOTED</u> VERT. _____	
MISC. 324	PLAN NO. 102-0002-035r001