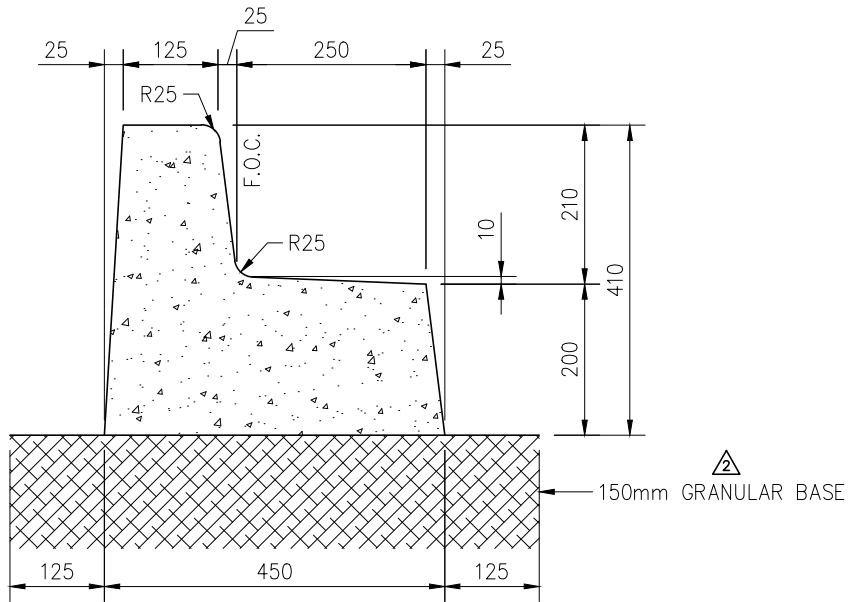




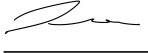
150mm VERTICAL CURB & GUTTER



200mm VERTICAL CURB & GUTTER

NOTES:

1. CONCRETE STANDARD:  
32 MPa DURA-MIX CONCRETE  
5-8% AIR AS PER SPEC.
2. COMPACTION STANDARD:  
98% STANDARD PROCTOR AS PER SPEC.
3. BROOM FINISH TOP & FACE OF CURB AND GUTTER LONGITUDINALLY.
4. BROOM OVER ALL CONTROL JOINTS.
5. SPACING OF CONTROL JOINTS TO BE 1.5m

PLAN DESCRIPTION/REVISION			DATE	BY	APPROVALS			
1	ORIGINAL STANDARD DRAWING		2000-AUG-10	RK			 SIGNATURE Christopher Duriez	
2	UPDATED TO ALIGN WITH SIDEWALK BEST PRACTICES REPORT		2020-SEP-23	DLH			 SIGNATURE Maciej Jurkiewicz	
VERTICAL CURB AND REVERSED GUTTER					NAME		NAME	
					Jan 25, 2021		Jan 25, 2021	
					DATE SIGNED		DATE SIGNED	
					SCALES:		PLAN NO.	
					HOR. 1:10		102-0002-037r002	
					VERT.			