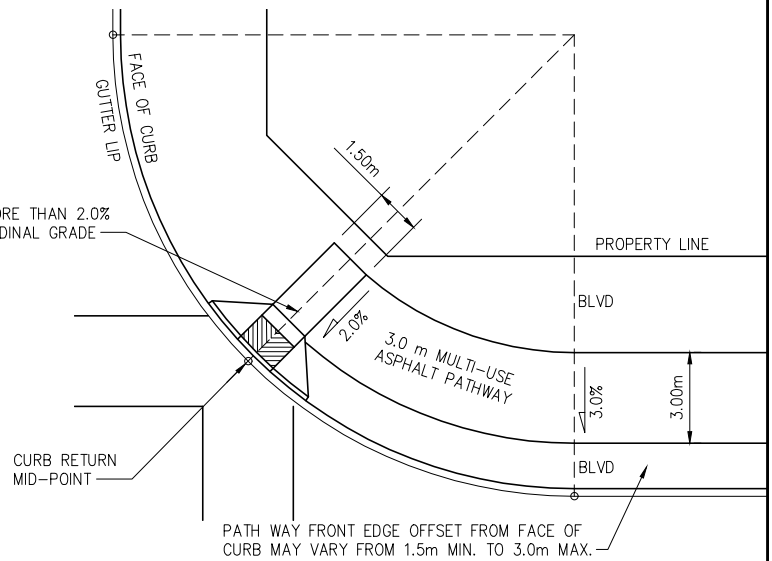


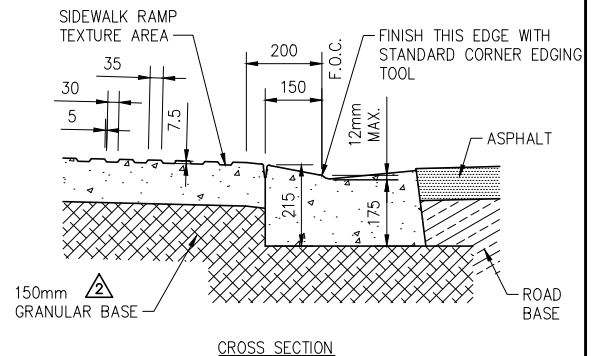
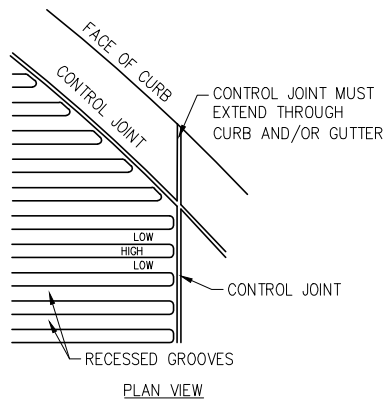
MULTI-USE PATHWAY  
RAMP CONFIGURATIONS

SCALE 1:250



NOTES:

- GROOVES ON TEXTURED AREA ARE TO BE PLACED PERPENDICULAR TO THE CROSSWALK LINES OR WHERE NO CROSSWALK EXISTS, PERPENDICULAR TO A LINE BETWEEN THE TWO RAMP.
- CONTROL JOINT MUST INTERCEPT THE BOTTOM OF RECESSED GROOVES.
- CONTROL JOINT MUST BE SLIGHTLY DEEPER THAN RECESSED GROOVES.
- DROP BACK OF WALK AS PER DRAWING 102-0002-023.



TEXTURE DETAILS  
SCALE 1:15

PLAN DESCRIPTION/REVISION	DATE	BY
1 ORIGINAL STANDARD DRAWING	2010-JAN-18	LCI
2 UPDATED TO ALIGN WITH SIDEWALK BEST PRACTICES REPORT	2020-OCT-08	DLH

  
**3.0m MULTI-USE PATHWAY  
RAMP CONFIGURATIONS**

APPROVALS	
SIGNATURE <i>Chris Duriez</i> Christopher Duriez	SIGNATURE <i>Maciej Jurkiewicz</i> Maciej Jurkiewicz
NAME Jan 25, 2021	NAME Jan 25, 2021
DATE SIGNED	DATE SIGNED
SCALES: HOR. AS NOTED VERT.	PLAN NO. 102-0002-052r002