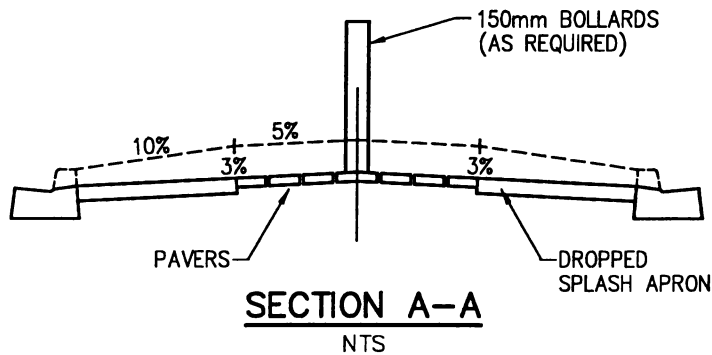


MEDIAN RAMP DETAIL (TREE PIT/LIGHT POLE)



SECTION A-A

NTS

REVISIONS	
1	
2	
3	

DRAWN BY R. OTTENBREIT
 DATE FEBRUARY 1, 1999

CHECKED BY _____
 DATE _____

CITY OF SASKATOON
 INFRASTRUCTURE SERVICES

MEDIAN RAMP

APPROVED

GENERAL MANAGER *[Signature]* P. ENG.

ENGINEER *[Signature]*

ENGINEER *[Signature]*

SCALES : HOR. 1:50 VERT. _____

M-3 PLAN NO. 102-0006-003r001