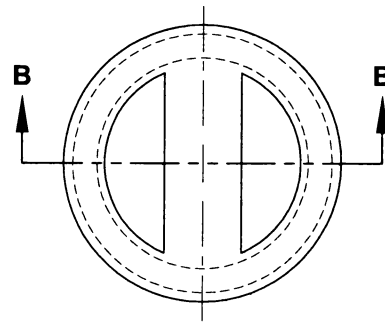
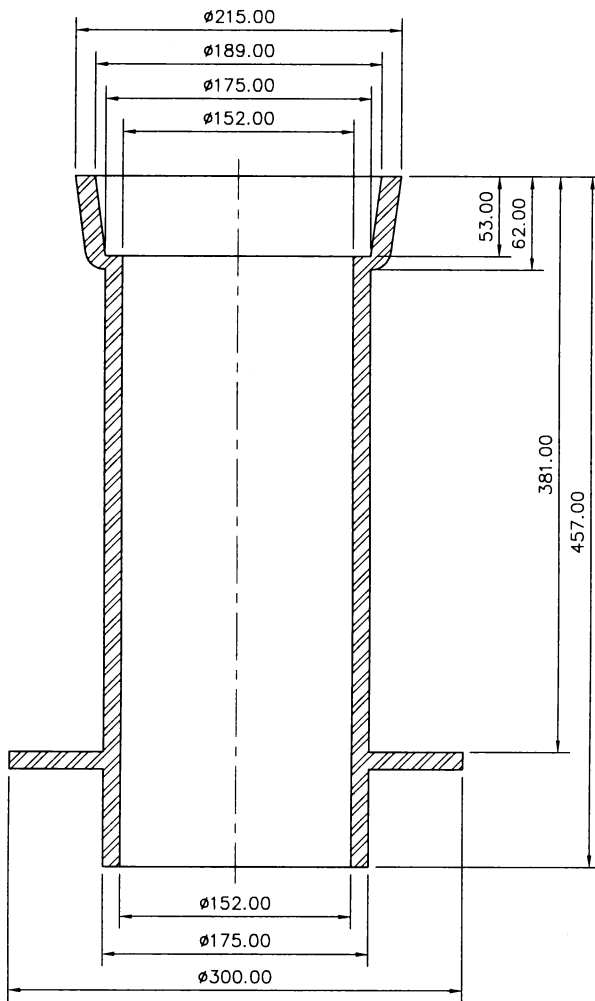


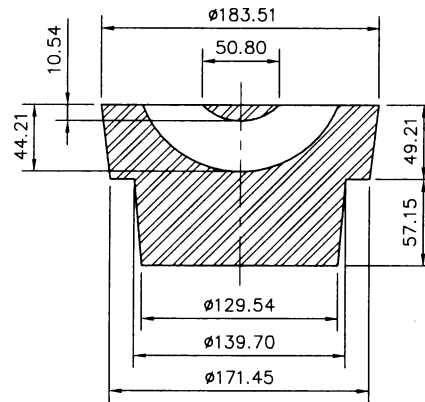
PLAN VIEW



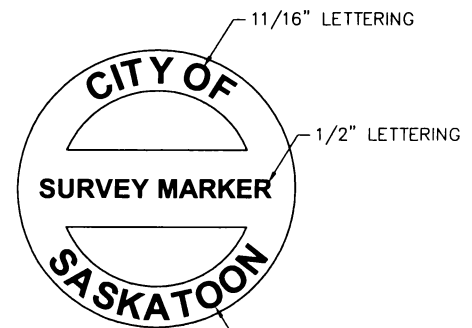
PLAN VIEW



SECTION VIEW A-A



SECTION VIEW B-B



TEXT LOCATION DETAIL

ALL DIMENSIONS IN MILLIMETERS UNLESS OTHERWISE NOTED

REVISIONS	
1	
2	
3	



APPROVED	
GENERAL MANAGER	P. ENG.
<i>A. Boyle</i>	
ENGINEER	
ENGINEER	
SCALES : HOR. 1:5 VERT. _____	
PLAN NO. 102-0009-004r001	

DRAWN BY	C. CARTER
DATE	10/23/01
CHECKED BY	_____
DATE	_____

COS SURVEY MARKER CASING