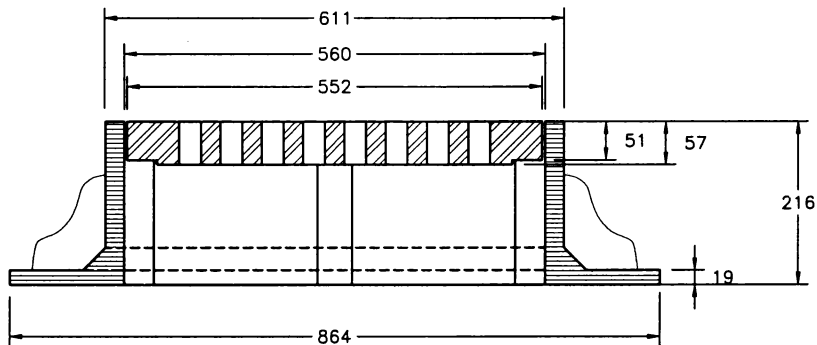



PLAN VIEW



SECTION 'A' - 'A'

SPECIFICATIONS :

THE CASTINGS SHALL BE TRUE TO PATTERN AND FREE FROM CRACKS, GAS HOLES, FLAWS, AND EXCESSIVE SHRINKAGE. SURFACES OF THE CASTINGS SHALL BE FREE FROM BURNT ON SAND AND SHALL BE REASONABLY SMOOTH. RUNNERS, RISERS, FINS, AND OTHER CAST ON PIECES SHALL BE REMOVED. IN OTHER RESPECTS THE CASTINGS SHALL CONFORM TO WHATEVER POINTS MAY BE AGREED UPON BETWEEN THE MANUFACTURER AND THE ENGINEER.

REVISIONS			APPROVED	
1			GENERAL MANAGER	P. ENG.
2			<i>A. Boyle</i>	
3			ENGINEER	
DRAWN BY <u>JB</u>		CATCH BASIN FRAME AND COVER SURFACE INLET MODEL	ENGINEER	
DATE <u>99-02-18</u>			SCALES : HOR. <u>1:10</u> VERT. _____	
CHECKED BY _____			PLAN NO. <u>102-0010-004r001</u>	
DATE _____				