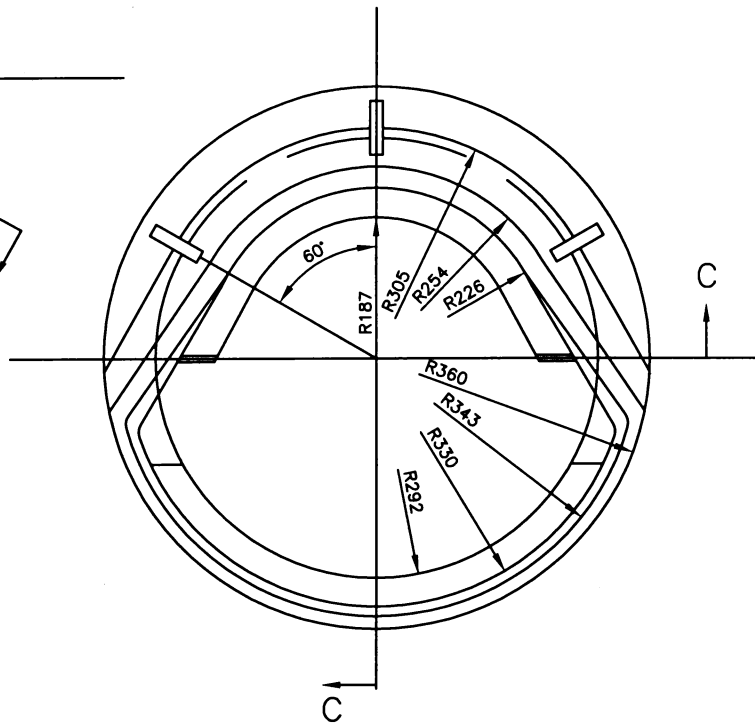
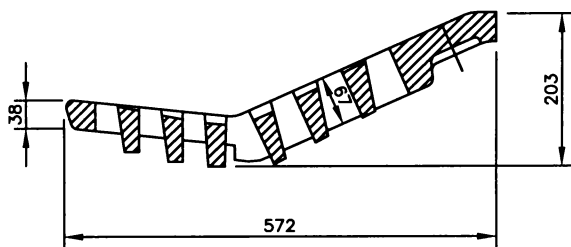


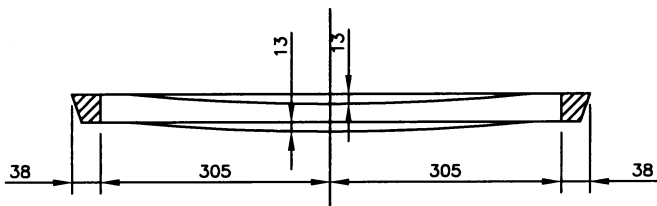
PLAN OF COVER



PLAN OF FRAME



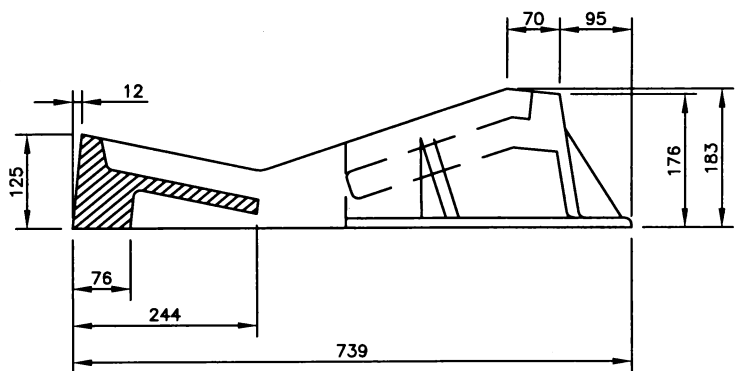
SECTION 'A'



SECTION 'B'

SPECIFICATIONS :

THE CASTINGS SHALL BE TRUE TO PATTERN AND FREE FROM CRACKS, GAS HOLES, FLAWS, AND EXCESSIVE SHRINKAGE. SURFACES OF THE CASTINGS SHALL BE FREE FROM BURNT ON SAND AND SHALL BE REASONABLY SMOOTH. RUNNERS, RISERS, FINS, AND OTHER CAST ON PIECES SHALL BE REMOVED. IN OTHER RESPECTS THE CASTINGS SHALL CONFORM TO WHATEVER POINTS MAY BE AGREED UPON BETWEEN THE MANUFACTURER AND THE ENGINEER.



SECTION 'C'

REVISIONS

1	
2	
3	

DRAWN BY CDC
 DATE 03-04-03
 CHECKED BY _____
 DATE _____



City of Saskatoon
 Infrastructure Services Department

ROLLED CURB
 CATCH BASIN

APPROVED

GENERAL MANAGER A. Boyle P. ENG.
 ENGINEER D.J. Drysdale
 ENGINEER

SCALES :
 HOR. 1:10

PLAN NO. 102-0010-006r002