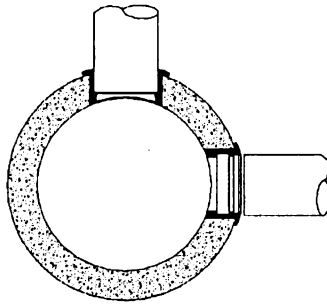


## INSTALLATION

Insert connector into pre-formed hole in concrete pipe, or man-hole, ensuring that flanged face is flush with exterior concrete wall. Clean any dirt or debris from the end of the PVC pipe and then thoroughly lubricate the exterior using Tylox® pipe gasket lubricant.

Insert PVC pipe into connector. On pipe to pipe connector ensure that end of pipe is flush with internal stop within connector



## MATERIALS

HKT connectors are available in the following materials:

- Isoprene/SBR Blend

Other compounds available as special order.

Please consult your Hamilton Kent agent for your specific requirements.

## PHYSICAL PROPERTIES

Physical Test	ASTM	Requirements
Hardness	D2240	47 ± 5
Tensile	D412	2000 (Min.)
Elongation	D412	450%
Compression Set	D395B	15 (Max.)
Air Oven Aging, Tensile (% of original)	D573	15 (Max.)
Air Oven Aging, Elongation (% of original)	D572	20 (Max.)
Durometer Change, Low Temperature.	D2240	+3
Water Aging (% Weight Change)	D471	-0 to +10
Ozone Resistance	D1149	No Cracks

## SPECIFICATIONS

HKT connectors are manufactured to meet the material requirements of the following specifications:

- ASTM C923
- ASTM C443
- CSA A257

Other specifications may be available as special order. Please consult your Hamilton Kent agent for your specific requirements.

## AVAILABLE SIZES & DIMENSIONS


PVC Pipe Size		Core (Nominal)	Cored Hole Dia. Range	Main Pipe Dia. Range (HKP-PP)
mm	in	in	in	in
100	4	5	4.960 – 5.010	12 – 30
150	6	7	6.995 – 4.055	12 – 30
200	8	10	10.055 – 10.145	12 – 30
250	10	12	12.040 – 12.130	12 – 30
300	12	14	14.025 – 14.115	18 – 30
375*	15*	18	17.975 – 18.070	Not Available

\* 375mm (15") not available in HKT-PP

***HK* Hamilton Kent**  
make the connection

**Hamilton Kent**  
77, Carlingview Drive  
Toronto, Ontario, Canada. M9W 5J6  
Phone (800) 268-8479  
Fax (888) 674-6960  
Web-Site [www.hamiltonkent.com](http://www.hamiltonkent.com)  
E-mail [sales@hamiltonkent.com](mailto:sales@hamiltonkent.com)

Lit\_TSS\_0306\_ER1

REVISIONS		 <b>City of Saskatoon</b> Infrastructure Services Department	APPROVED		
1			 GENERAL MANAGER P. ENG.		
2			ENGINEER		
3			ENGINEER		
DRAWN BY <u>HLO</u> DATE <u>06-01-27</u>		HAMILTON KENT PIPE TO MANHOLE CONNECTOR SPECIFICATION SHEET	SCALES : _____ HOR. _____		
CHECKED BY _____ DATE _____			PLAN NO. 102-0010-010r002		