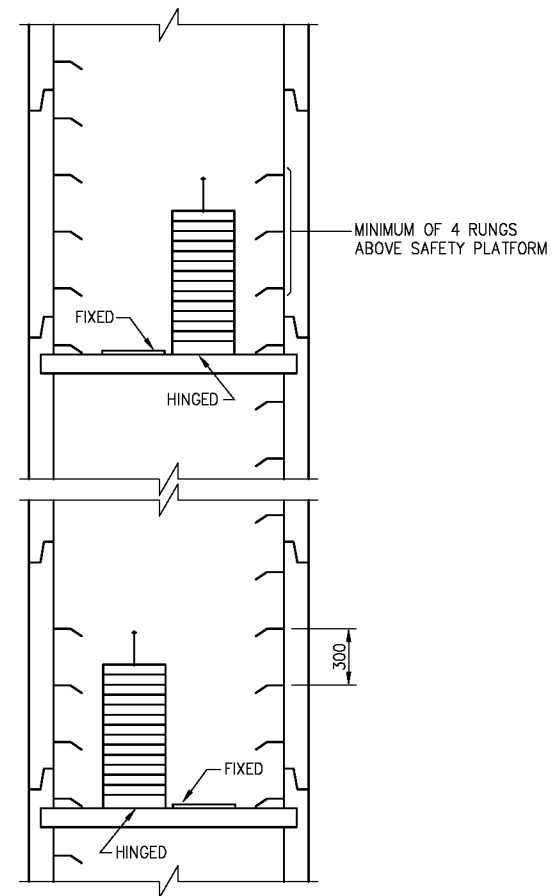
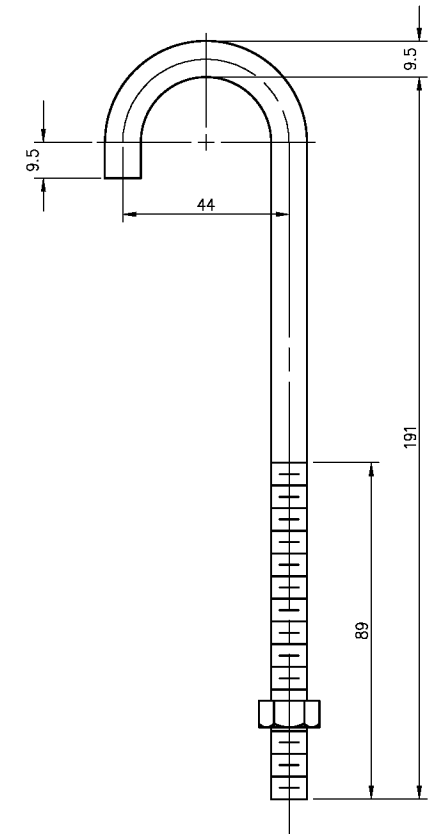


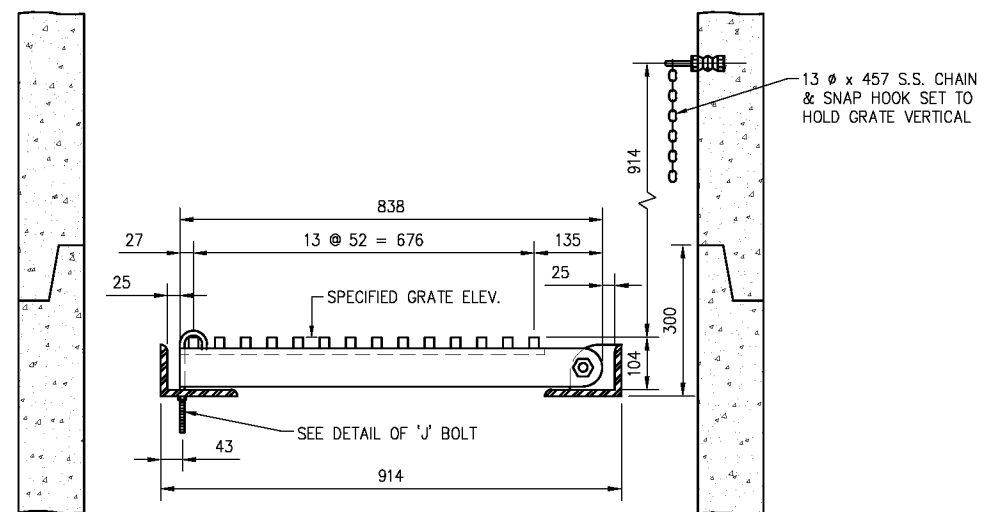
PLAN  
1 : 15



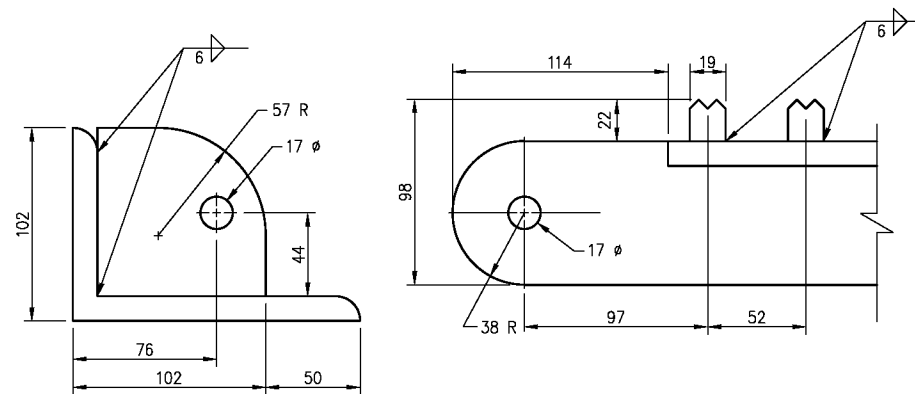
ELEVATION  
1 : 40



DETAIL OF 'J' BOLT  
1 : 2



SECTION A-A  
1 : 15



ENLARGED VIEW OF HINGE  
1 : 4

NOTES:

1. ALUMINUM TO BE OF APPROVED ALLOY.
2. AT ALL POINTS WHERE ALUMINUM AND CONCRETE COME IN CONTACT (ENDS OF BASE ANGLES), ALUMINUM SURFACES TO BE COATED WITH 2 COATS OF STATIC ASPHALT PAINT.
3. ALL 102 x 152 x 13 ALUMINUM ANGLE SUPPORTS TO BE INSTALLED DURING PRECASTING OF MANHOLE SECTION.
4. "S.S." DENOTES STAINLESS STEEL.
5. SAFETY PLATFORMS MEETING CITY OF SASKATOON STANDARD SPECIFICATIONS MAY BE INSTALLED IN ALL MANHOLES WITH DEPTHS GREATER THAN 6.0 METRES IN SUCH A MANNER SO THAT NO VERTICAL FALL DISTANCE EXCEEDS 5.0 METRES OR IS LESS THAN 2.4 METRES.
6. SAFETY PLATFORMS WHERE POSSIBLE SHALL BE PLACED ABOVE INLETS IN SANITARY SEWER MANHOLES.

ALL DIMENSIONS IN MILLIMETRES UNLESS OTHERWISE NOTED

PLAN DESCRIPTION/REVISION	DATE	BY
1 REVISED & REFORMATTED FROM 08010-D9	1999-MAR-08	MJ
2 REVISED NOTE REGARDING SAFETY PLATFORMS	2007-JAN-22	HLO
3 REVISED NOTE 5	2020-APR-01	DLH



MANHOLE SAFETY PLATFORM

APPROVALS

SIGNATURE Mitchell Parker	SIGNATURE Matt Jurkiewicz
NAME Apr 14, 2020	NAME Apr 14, 2020
DATE SIGNED	DATE SIGNED

SCALES:  
HOR. SCALE  
VERT. SCALE

PLAN NO.  
102-0011-001r003