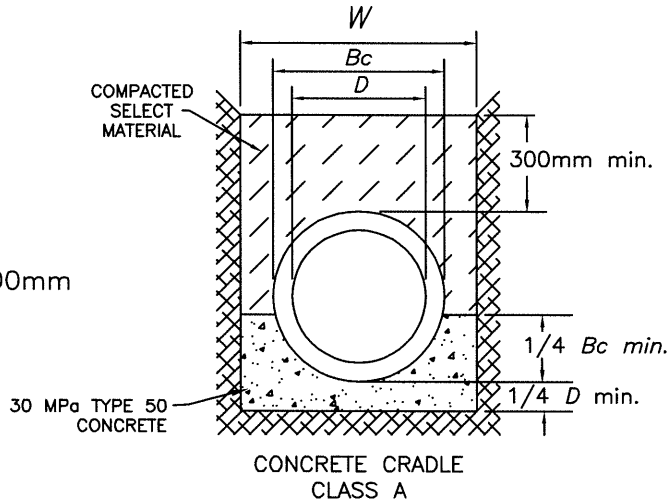


NOTES:

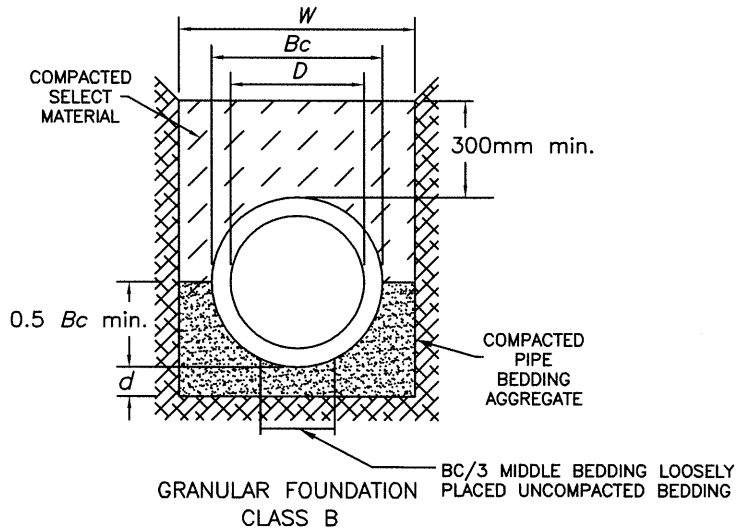
1. ALL CONCRETE TO BE MADE WITH TYPE HS/HSB SULPHATE RESISTANT CEMENT.
2. BEDDING AGGREGATE TO CONFORM TO GRADATION IN SECTION 03001-3.2.7 OF SPECIFICATIONS.
3. SELECT BACKFILL TO BE FREE OF ALL LUMPS, STONES AND SUBSTANCE WHICH COULD REACT CHEMICALLY WITH PIPE MATERIAL.
4. PNEUMATIC OR MECHANICAL EQUIPMENT SHALL BE USED TO COMPACT THE BEDDING MATERIAL AND THE SELECT BACKFILL MATERIAL TO 98% OF ITS STANDARD PROCTOR DENSITY (PLACED IN 150mm LAYERS).
5. COMPACT SELECT MATERIAL MUST BE CLASS 4 OR BETTER AS CHARACTERIZED IN ASTM D2321.
6. UNSUPPORTED STRAIGHT WALL TRENCH USED ONLY FOR UNDISTURBED SOIL. DISTURBED SOIL TRENCHES MUST BE 1:1 SIDEWALL SLOPE FROM BOTTOM OF TRENCH. IN EITHER CASE COMPACTED PIPE AGGREGATE MUST BE INSTALLED TO TRENCH WALL.

NOMINAL PIPE SIZE	W (min.)
200mm – 600mm	$B_c + 450\text{mm}$
675mm & larger	$1.25 B_c + 300\text{mm}$



DEPTH OF BEDDING MATERIAL BELOW PIPE (d)

D	d (MIN)
675mm & smaller	75mm
750mm to 1500mm	100mm
1650mm & larger	150mm



REVISIONS	
1	
2	
3	
4	
DRAWN BY <u>JEL</u>	
DATE <u>2017-JAN-25</u>	
SCALE: HOR. <u>NTS</u> VER. <u>NTS</u>	



City of Saskatoon

Transportation & Utilities Department

CIRCULAR CONCRETE PIPE BEDDINGS

	CHIEF ENGINEER	<u>JAN 30 2017</u>
		DATE
	ENGINEER	<u>JAN 30 2017</u>
		DATE
PLAN NO. 102-0011-011r001		