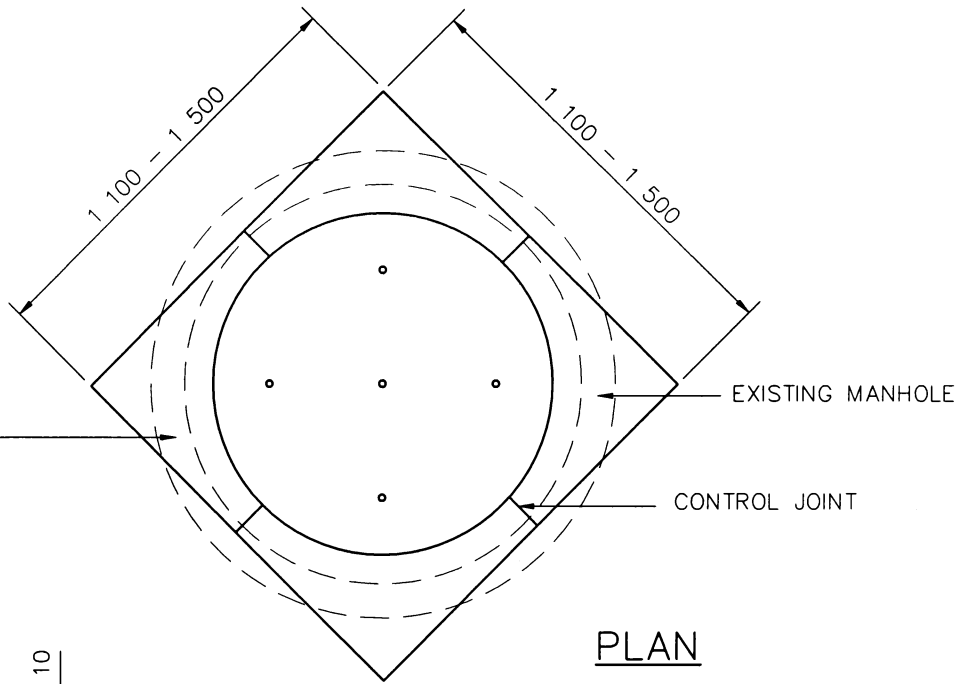
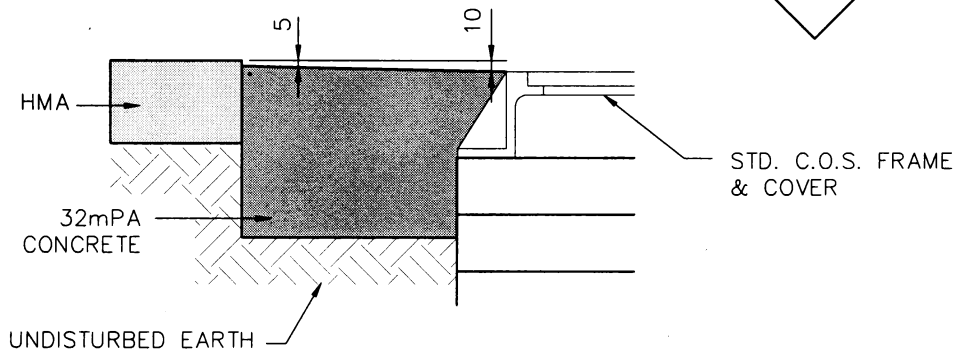


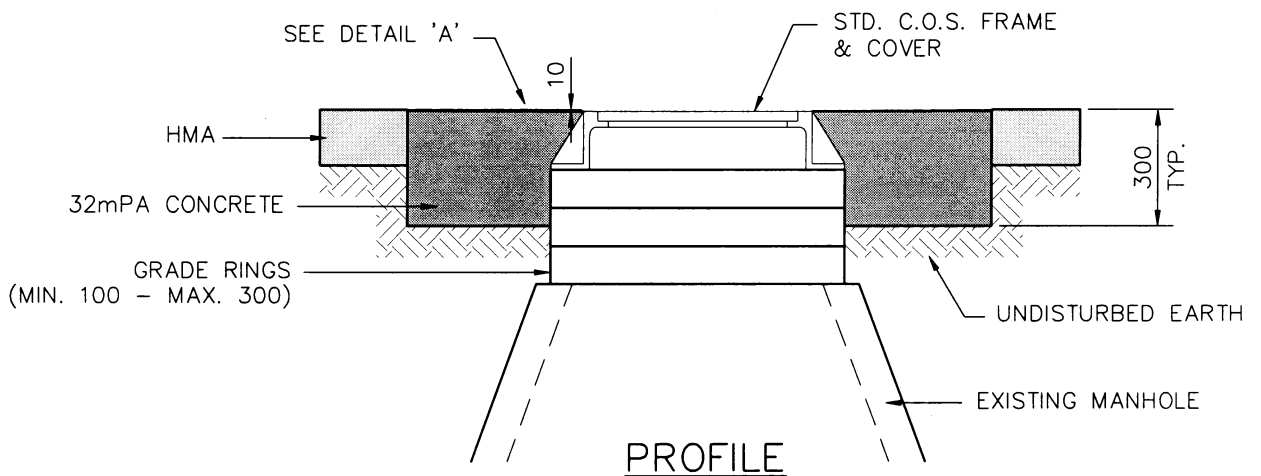
UNIFORMED LINING THICKNESS
(MIN 50 - MAX. 75)



PLAN



DETAIL 'A'



PROFILE

ALL DIMENSIONS IN MILLIMETERS UNLESS OTHERWISE NOTED

REVISIONS	
1	REVISED 2000-10-18 MJ
2	
3	



CONCRETE MANHOLE COLLARS

DRAWN BY	RPL
DATE	95-04-06
CHECKED BY	
DATE	

APPROVED

GENERAL MANAGER P. ENG.
A. Boyle 00-10-20
ENGINEER

ENGINEER
SCALES :
HOR. 1:20 VERT. _____

PLAN NO. 102-0011-012r001