

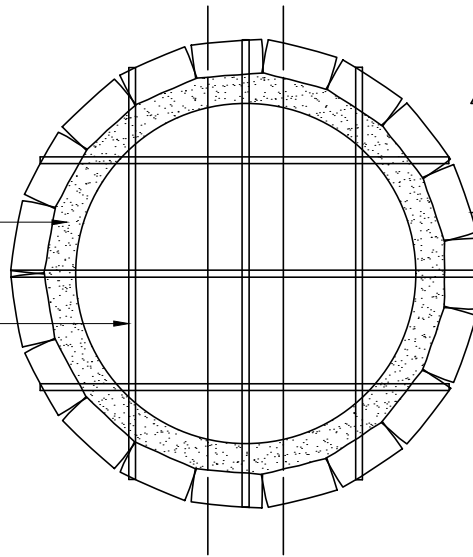
NOTES:

1. TAPERED RUBBER ADJUSTMENT RISER RINGS ARE REQUIRED ON CATCH BASIN'S AND MANHOLES THAT ARE OFFSET FROM THE CENTER OF THE ROAD.

SHOTCRETE LINING THICKNESS OF MIN. 50mm, MAX. 75mm

300mm x 20mm CONCRETE ANCHORS @ 300mm O.C.

EXISTING BRICK STRUCTURED MANHOLE



PLAN

C.O.S. STD. FRAME AND COVER

2-25mm RUBBER ADJUSTMENT RISER RINGS

C.O.S. STD. PRECAST CONCRETE 600mm Ø GRADE RINGS MIN. 50mm MAX. 300mm

450mm CONICAL BEV SECTION

VARIES (900mm MIN.)

SHOTCRETE LINING THICKNESS OF MIN. 50mm, MAX. 75mm

MSU NO. 350 ALUMINUM SAFETY RUNGS STAGGERED EACH SIDE MAX. 400mm O.C.

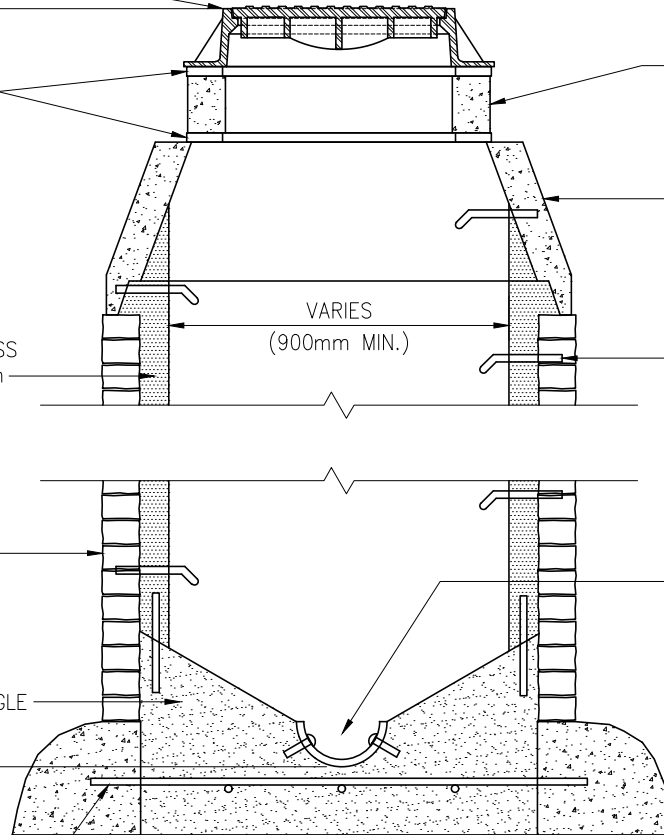
VARIES

EXISTING BRICK STRUCTURED MANHOLE

PVC TROUGH SECURED TO BASE WITH MIN. 4-19mm x 75mm S.ST. STOVE BOLT CONCRETE ANCHORS

BENCHING SLOPE @ 30° ANGLE

300mm x 20mm CONCRETE ANCHORS @ 300mm O.C.



SECTION

PLAN DESCRIPTION/REVISION			DATE	BY	APPROVALS	
1	ORIGINAL DRAWING		2006-JAN-25	HLO	 SIGNATURE Jeff P D Thomson NAME Jan 27, 2021 DATE SIGNED	 SIGNATURE Maciej Jurkiewicz NAME Jan 27, 2021 DATE SIGNED
2	REMOVED NOTE		2012-DEC-17	HLO		
3	ADDED NOTE 1, GRADE RING MIN., AND RUBBER ADJ. RISER RINGS		2021-JAN-13	DLH		
 City of Saskatoon					MANHOLE REHABILITATION BASE RECONSTRUCTION WHERE THICKNESS OF CONCRETE BELOW INVERT DOES NOT EXCEED 125mm	
					SCALES: HOR. 1:20 VERT.	PLAN NO. 102-0011-017r003