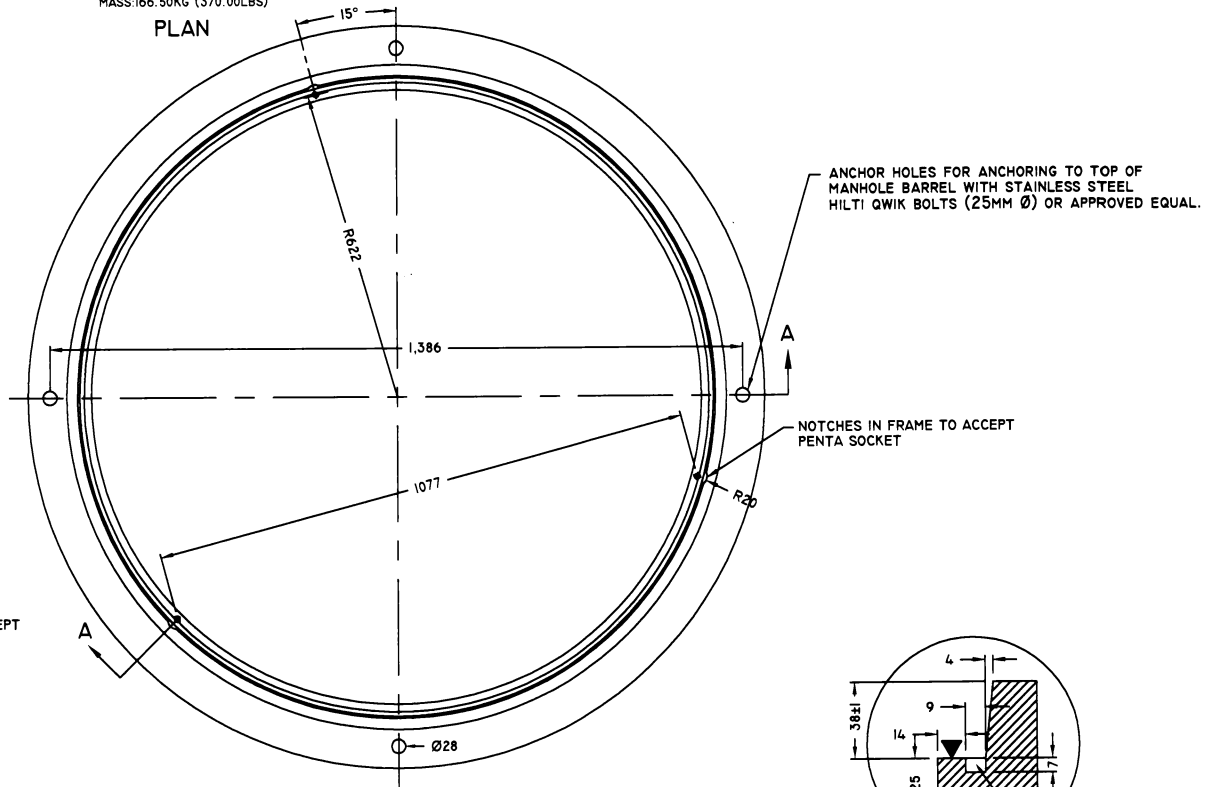


**FRAME**

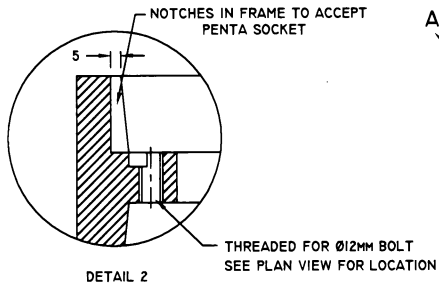
MASS:166.50KG (370.00LBS)

**PLAN**

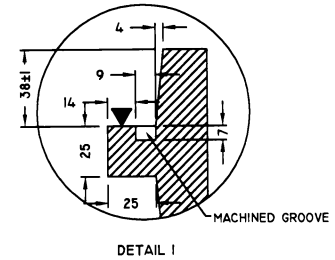


ANCHOR HOLES FOR ANCHORING TO TOP OF MANHOLE BARREL WITH STAINLESS STEEL HILTI QWIK BOLTS (25MM Ø) OR APPROVED EQUAL.

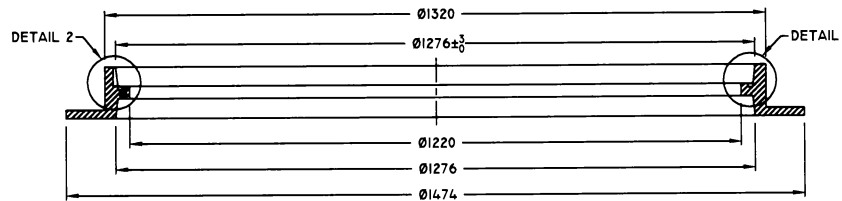
NOTCHES IN FRAME TO ACCEPT PENTA SOCKET



DETAIL 2



DETAIL 1



SECTION A-A

**MATERIAL SPECIFICATION:**

DUCTILE IRON TO CONFORM TO A.S.T.M. A536 (LATEST EDITION) GRADE 65-45-12.

▲ MACHINED SURFACES

MEASUREMENTS IN MILLIMETERS ASPHALTIC DIP FINISH

REVISIONS	
1	
2	
3	

DRAWN BY	LBKM
DATE	08-01-16
CHECKED BY	
DATE	



**City of Saskatoon**  
Infrastructure Services Department

TF-48 BEEHIVE FRAME

APPROVED

*[Signature]*  
GENERAL MANAGER P. ENG.

ENGINEER  
*[Signature]* JUN 16, 08

ENGINEER

SCALES :  
HOR. 1:15

PLAN NO. 102-0011-023r001