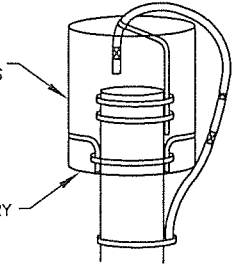


VAPOR SHIELD DETAIL

400mmØ SHIELD  
(METAL OR PLASTIC)  
OPEN ON BOTH ENDS  
AND MOUNTED AS  
SHOWN TO REDUCE  
VAPOR AND ICE



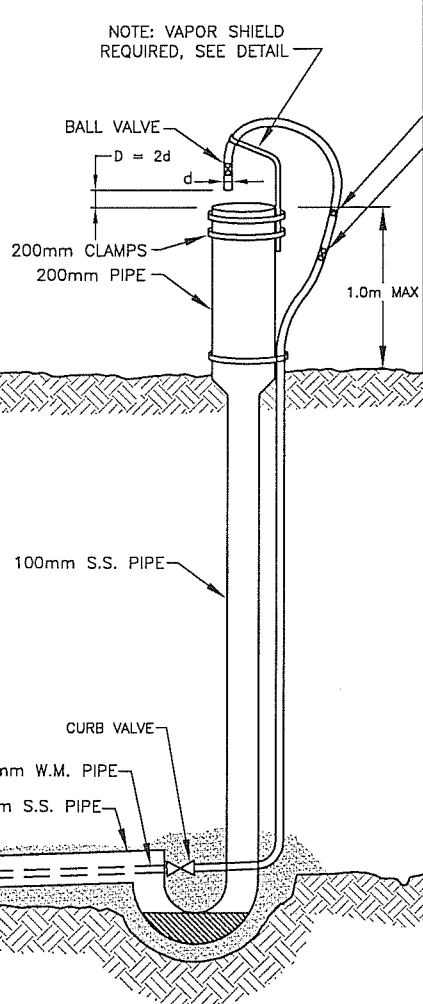
AIR GAP MANDATORY

HUT OBTAINED FROM  
CITY OF SASKATOON

HUT PLACED ON GRAVEL.  
GRAVEL TO BE PACKED  
AND SLOPED AROUND  
BASE OF HUT TO SEAL

HOSE MARKER

NOTE: VAPOR SHIELD  
REQUIRED, SEE DETAIL



BALL VALVE  
D = 2d  
d  
200mm CLAMPS  
200mm PIPE

1.0m MAX

100mm S.S. PIPE

CURB VALVE

25mm W.M. PIPE

100mm S.S. PIPE

DOUBLE CHECK VALVE  
BALL VALVE

100lb PROPANE TANK  
BY OTHERS

NOTES ON HUT

- PLACED ON LEVEL GROUND  
AROUND CIRCULATOR
- DIMENSIONS ARE 4' x 4' x 5' HIGH
- MADE OF 2 X 4 FRAMING WITH  
1/2" PLYWOOD AND ENCASED IN  
METAL CLADDING
- INTERIOR LINED WITH 1-1/2"  
INSULATION
- INCLUDES A LOCKING DOOR
- CONTAINS PROPANE HEATER SUFFICIENT  
TO KEEP INTERIOR TEMPERATURE  
ABOVE ZERO
- FOR CITY OF SASKATOON  
PROJECTS, THE WATER CIRCULATOR  
SERVICE CONNECTION AND HUT  
ARE MADE AVAILABLE TO THE  
CONTRACTOR

REVISIONS

3		
2		
1	09-12-04	HLO

DRAWN BY LBKM DATE 07-09-04

APPROVED  
  
 GENERAL MANAGER  
  
 ENGINEER

DATE  
 Dec 21, 09  
 DATE  
 Dec 15, 09  
 DATE



City of  
Saskatoon

Infrastructure Services Department

WATER CIRCULATOR  
SERVICE CONNECTION

SCALE : HOR. NTS VERT. \_\_\_\_\_

102-0012-013r001