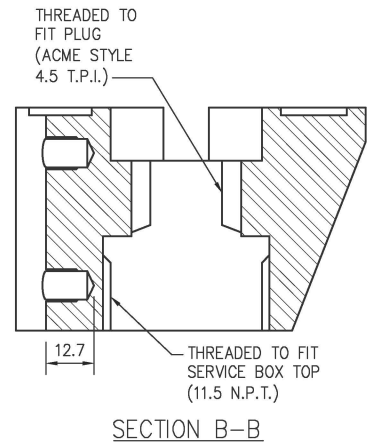
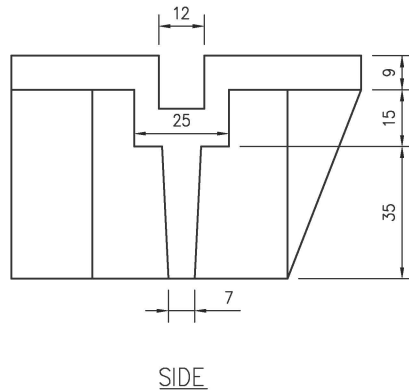
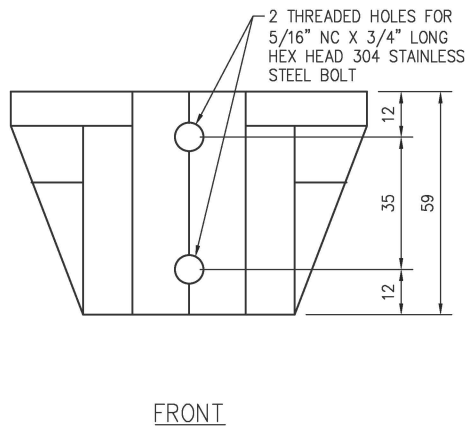
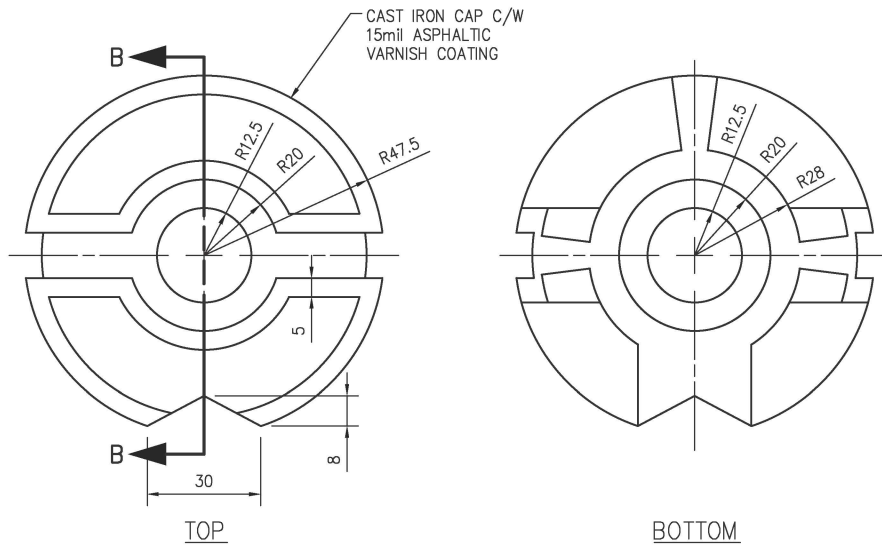
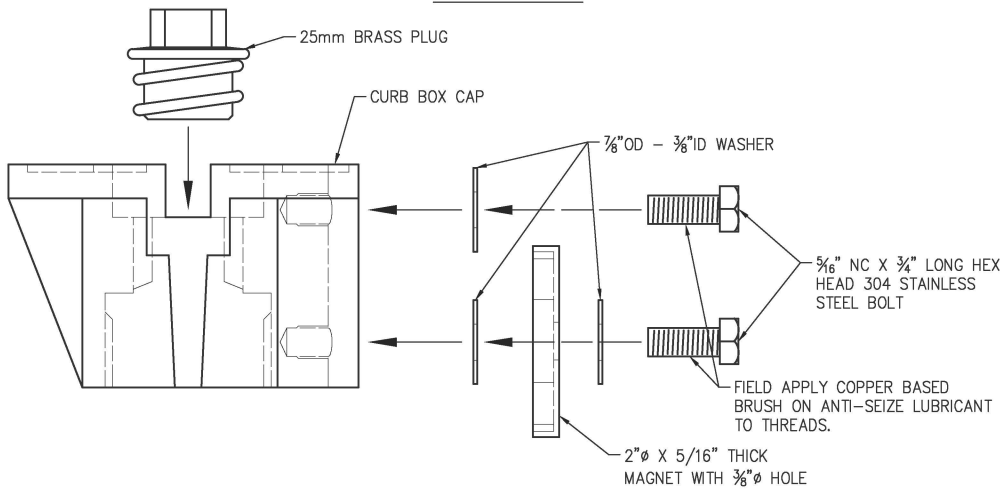


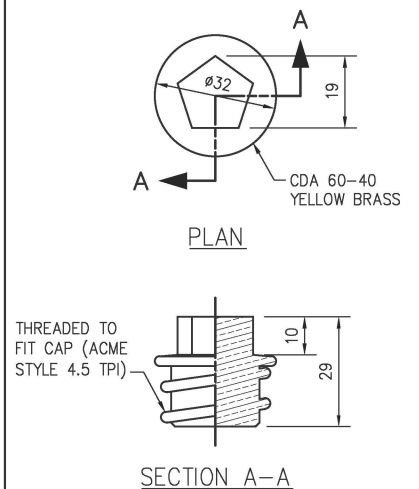
# CURB BOX CAP



## ASSEMBLY



## 25mm BRASS PLUG





PLAN DESCRIPTION/REVISION	DATE	BY
1 ORIGINAL STANDARD DRAWING	2003-JAN-21	JMH
2	2006-JAN-26	HLO
3	2007-FEB-07	HLO
4	2010-DEC-13	HLO
5 ADDED DETAILS TO CURB BOX CAP AND ADDED BRASS PLUG DETAIL	2020-APR-03	DLH



**City of  
Saskatoon**

CURB BOX CAP

APPROVALS	
 Sohrab Khan (May 3, 2020) SIGNATURE Sohrab Khan NAME May 3, 2020 DATE SIGNED	 Tim Bushman SIGNATURE Tim Bushman NAME May 6, 2020 DATE SIGNED
SCALES: HOR. N.T.S. VERT. N.T.S.	PLAN NO. 102-0013-012r005