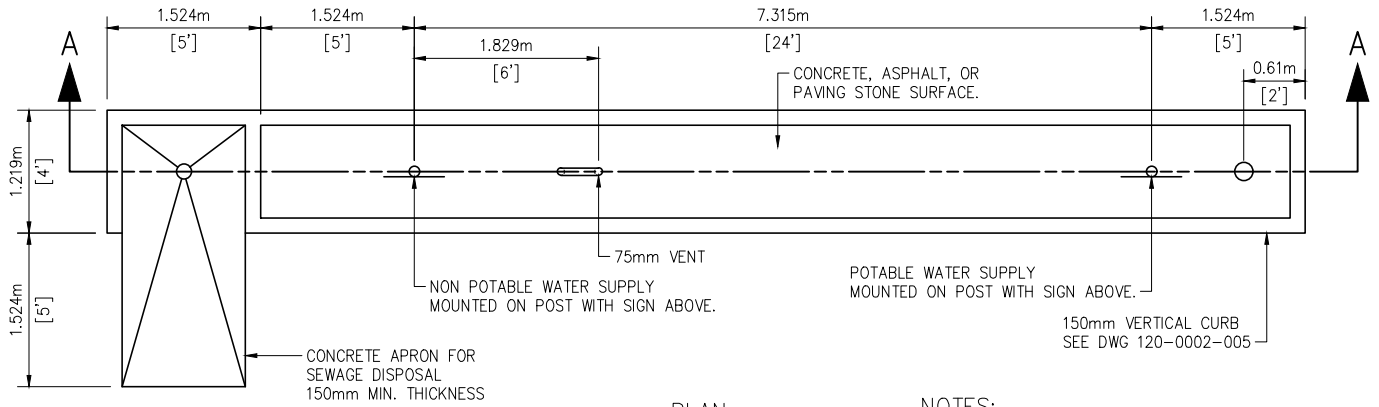


SIGNS

SCALE 1:20

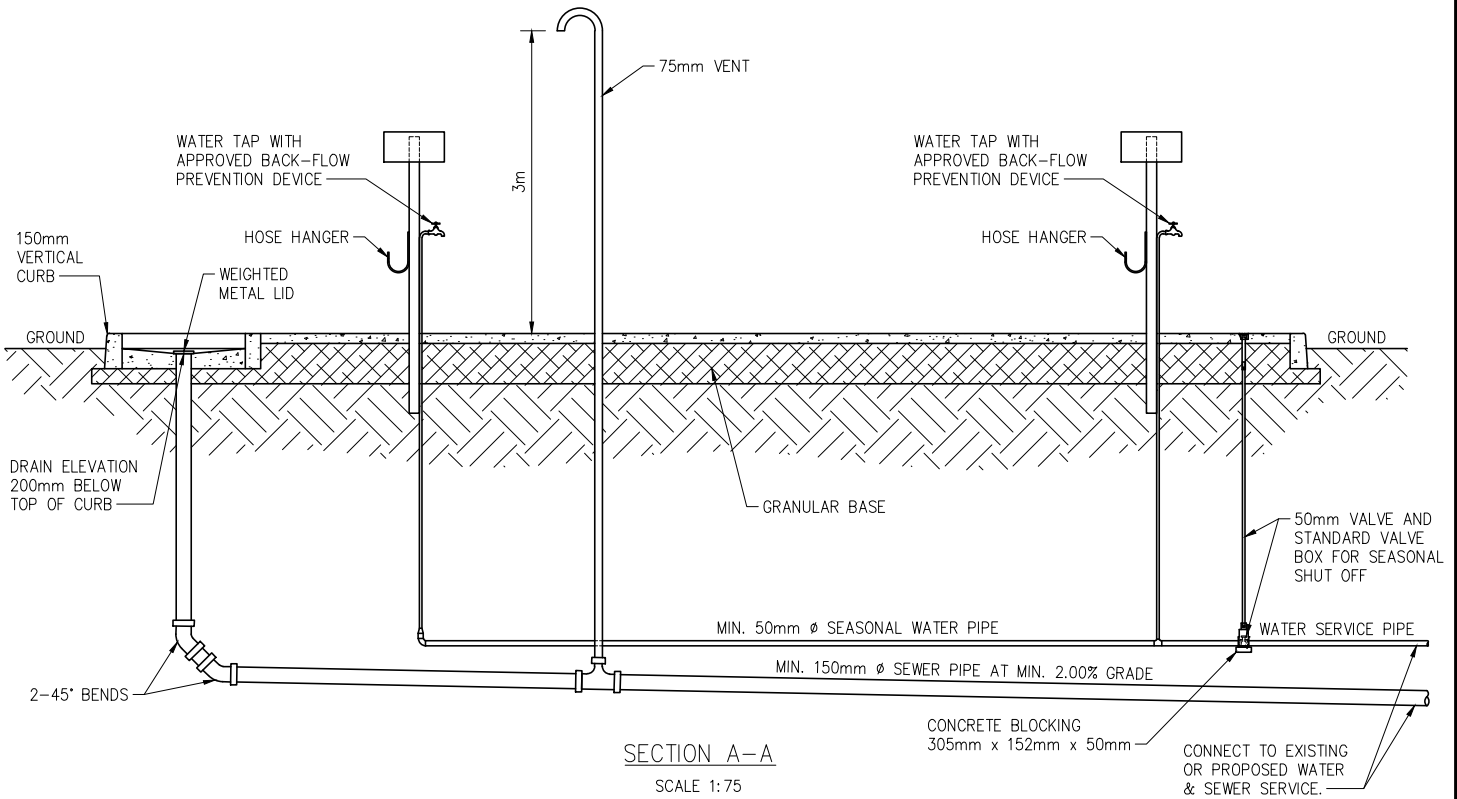


PLAN

SCALE 1:75

NOTES:

- 2.9m MINIMUM DEPTH OF COVER TO CROWN FOR ALL WATER SERVICE PIPES.



SECTION A-A

SCALE 1:75

PLAN DESCRIPTION/REVISION	DATE	BY
1 ORIGINAL STANDARD SPECIFICATION DRAWING	2021-JAN-29	DLH

**RECREATION VEHICLE
SERVICE STATION WITH
SEWAGE DISPOSAL & WATER SUPPLY**

APPROVALS	
 SIGNATURE Nisar Khan NAME Feb 11, 2021 DATE SIGNED	 SIGNATURE Maciej Jurkiewicz NAME Feb 11, 2021 DATE SIGNED
SCALES: HOR. AS NOTED VERT.	PLAN NO. 102-0013-020r001