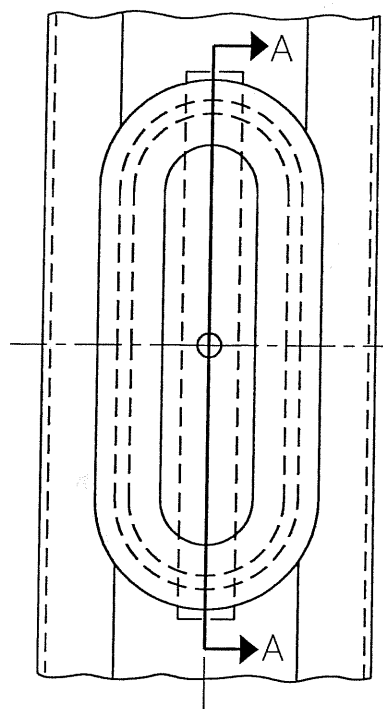
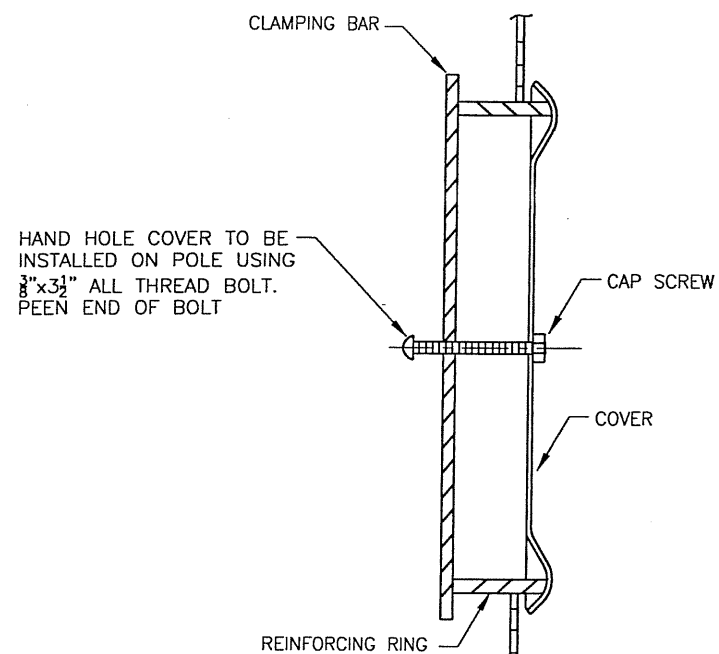


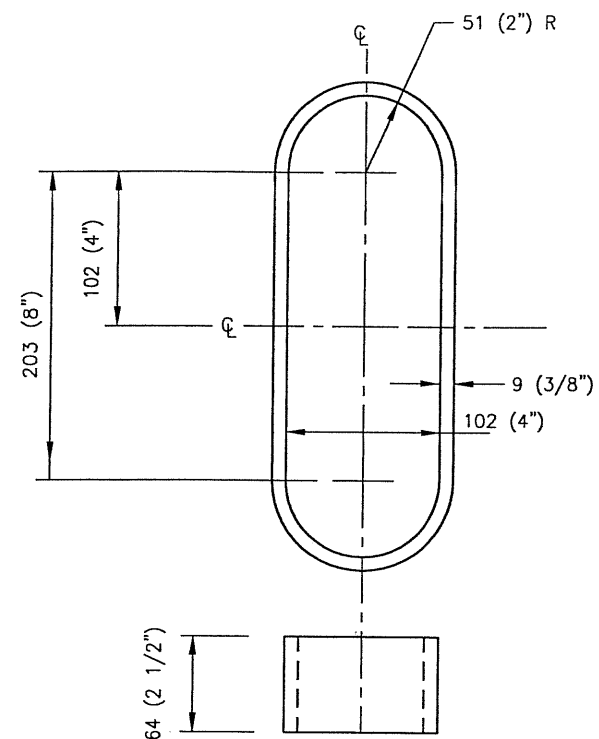
FRONT VIEW



SECTION A-A



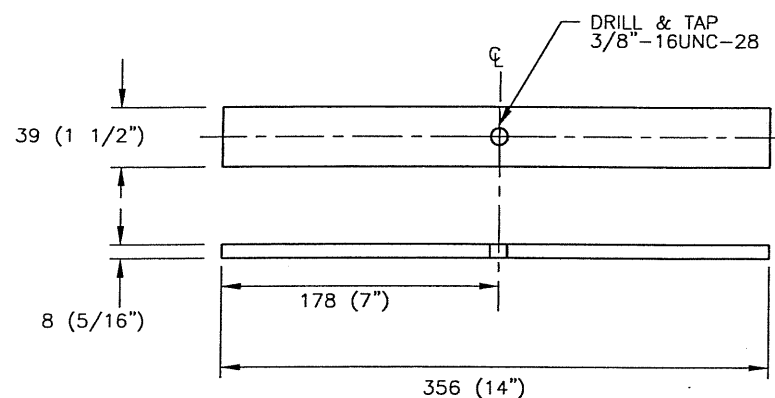
REINFORCING RING



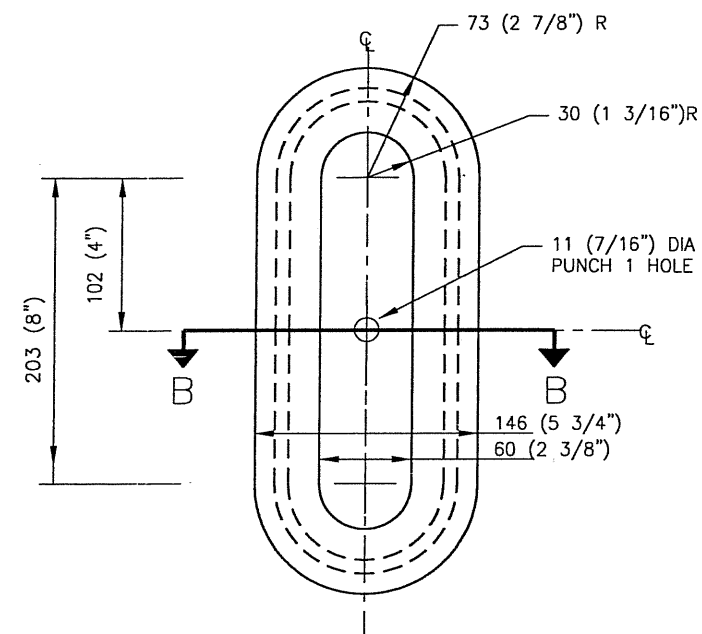
NOTES:

1. FINISH SHALL BE: HOT-DIP GALVANIZED
2. RE-THREAD BOLTS AFTER GALVANIZING

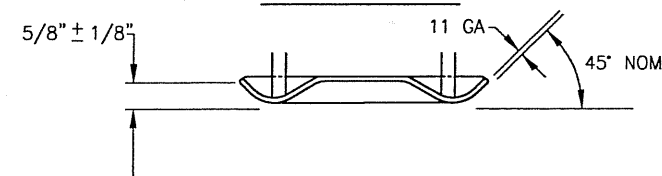
CLAMPING BAR



COVER



SECTION B-B



11					
10					
9					
8					
7					
6					
5					
4					
3					
2					
1	BASE PLAN		1		
	DESCRIPTION	DATE	NO.	REVISED NOTES	JAN 05 RPH
				REVISIONS	DATE BY

STAMP
APPROVED FOR CONSTRUCTION
 JAN 26 2005
 DATE

MUNICIPAL ENGINEERING	PUBLIC WORKS
ENGINEER <i>Goran Jarić</i>	ENGINEER
ENGINEER	ENGINEER
DRAWN BY: CJP	DRAWN BY:
DATE: 96.06.28	DATE:
CHECKED BY:	CHECKED BY:
DATE:	DATE:

City of Saskatoon
 Infrastructure Services Department

SPECIFICATIONS FOR:
 HAND HOLE ASSEMBLY

GENERAL MANAGER <i>[Signature]</i>	P. ENG <i>[Signature]</i>
SCALE: NTS	SHEET NO.
VERT.	
PLAN NO.	
102-0016-025r001	