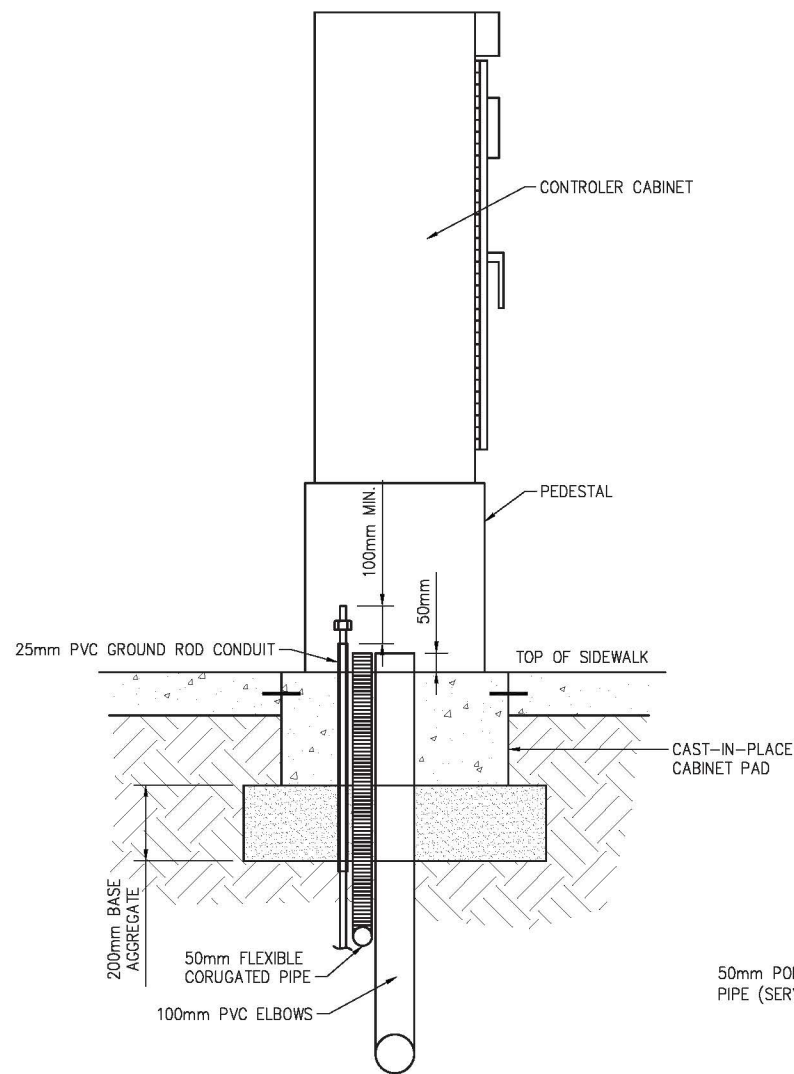
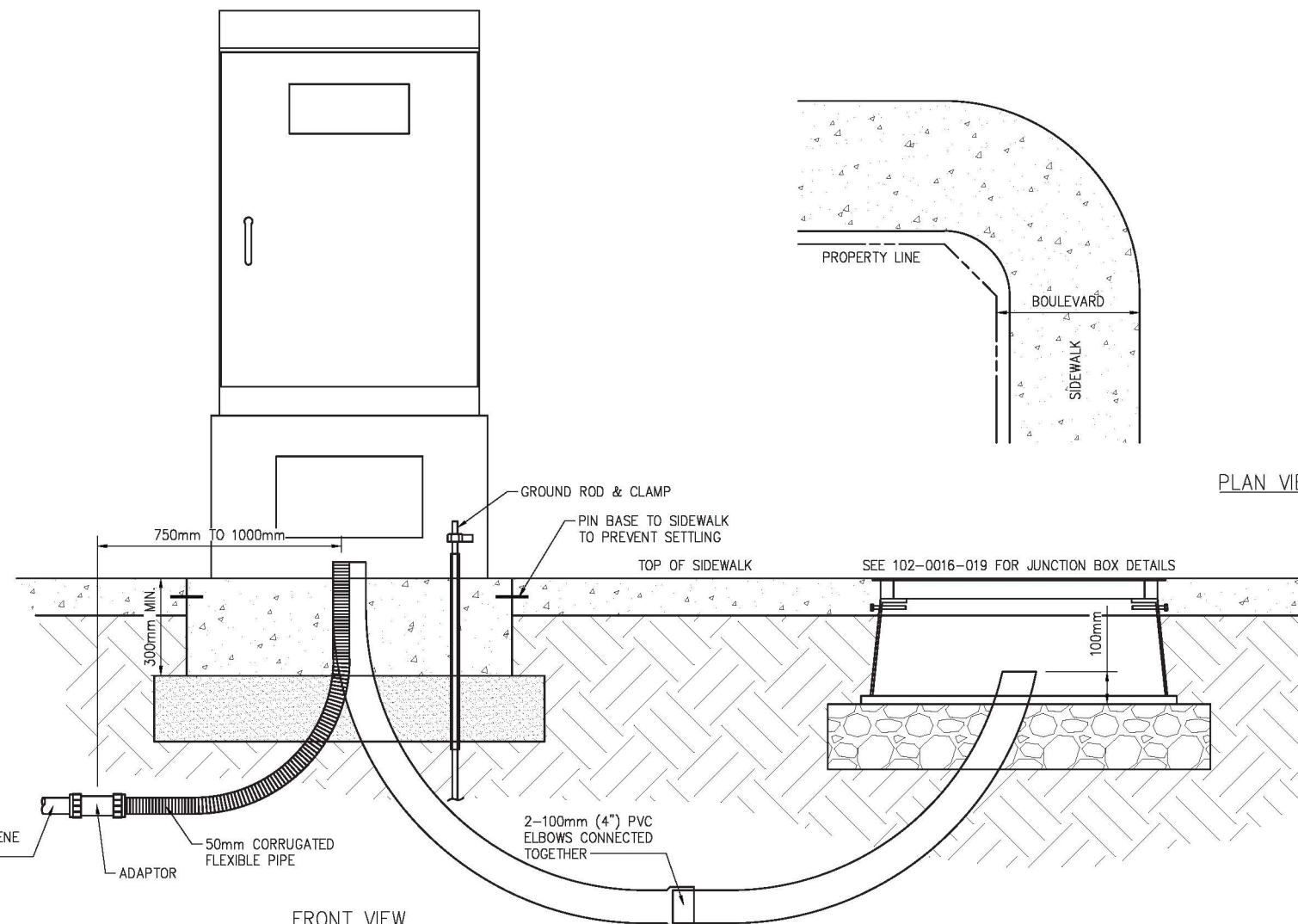


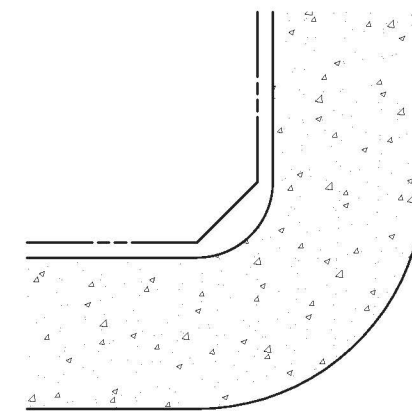
TOP VIEW



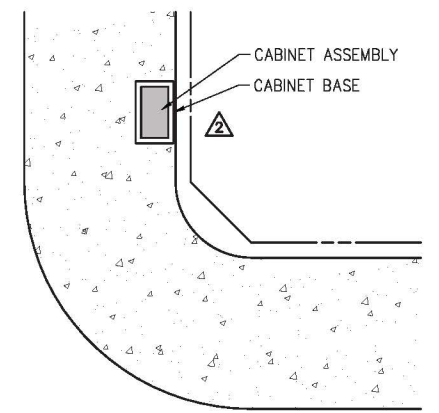
SIDE VIEW



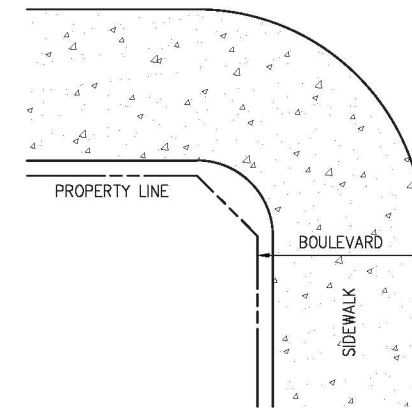
FRONT VIEW



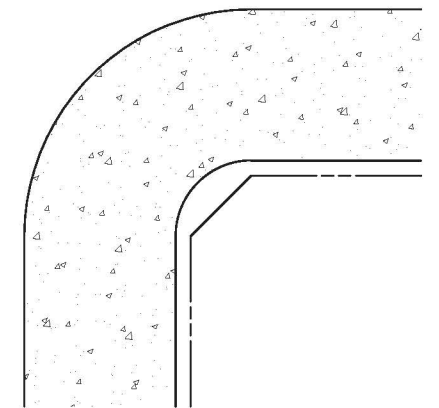
MAIN STREET



SIDE STREET



PLAN VIEW



PLAN DESCRIPTION/REVISION	DATE	BY
1 ORIGINAL STANDARD DRAWING	2011-FEB-28	BAJ
2 UPDATED TO ALIGN WITH THE DESIGN & DEVELOPMENT STANDARDS	2020-FEB-13	PRZ
2 MANUAL AND POLICY C07-030 - STREET DESIGN	2020-FEB-13	PRZ



CAST-IN-PLACE CABINET BASE
SIDEWALK INSTALLATION DETAILS
SPECIFICATION 12600-9.2

APPROVALS

<i>Chelsea Lanning</i> Chelsea Lanning (Apr 23, 2020)	<i>Matt Jurkiewicz</i>
SIGNATURE Chelsea Lanning	SIGNATURE Matt Jurkiewicz
NAME Apr 23, 2020	NAME Apr 30, 2020
DATE SIGNED	DATE SIGNED
SCALES: HOR. N.T.S.	PLAN NO. 102-0016-039r002
VERT.	