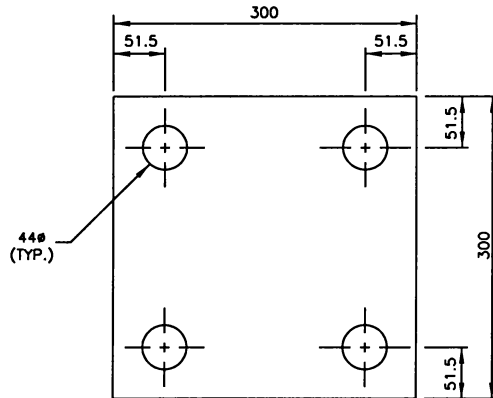
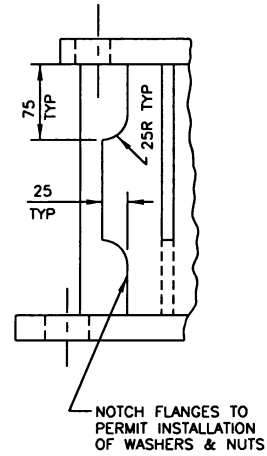
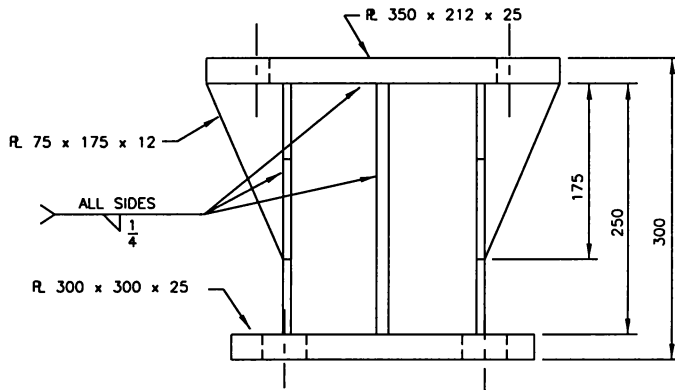
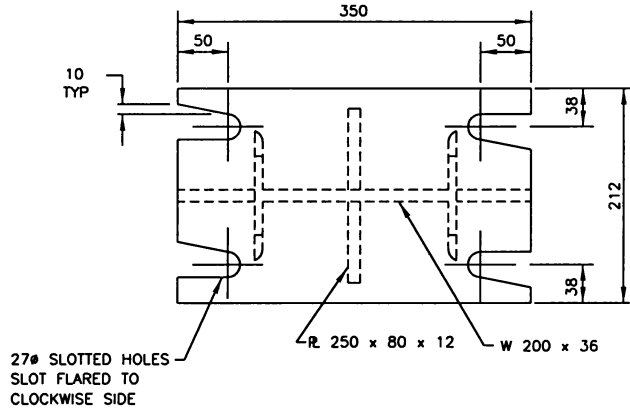


D:\WORKING\102\0017\1020017010R003.DWG LAYOUT1.LYT 2003-01-08 14:42 BY ISREGANH



NOTES:

1. Structural steel to CSA G4021 grade 300W.
2. Weld electrode to CSA W481, E70-XX
3. Fabrication and erection of structural steel to CSA S16.
4. All structural steel to be galvanized.

REVISIONS	
1	
2	REVISED HOLE DIMS 01 03 RPH
3	
DRAWN BY <u>CJP</u>	
DATE <u>01 09 06</u>	
CHECKED BY <u>[Signature]</u>	
DATE <u>Jan 8/03</u>	



ADAPTER PLATE FOR
ROADSIDE GUIDESIGN

APPROVED	
<u>[Signature]</u>	P. ENG.
<u>[Signature]</u>	ENGINEER
<u>[Signature]</u>	ENGINEER
SCALES : HOR. 1:7.5 VERT.	
PLAN NO. 102-0017-010R003	