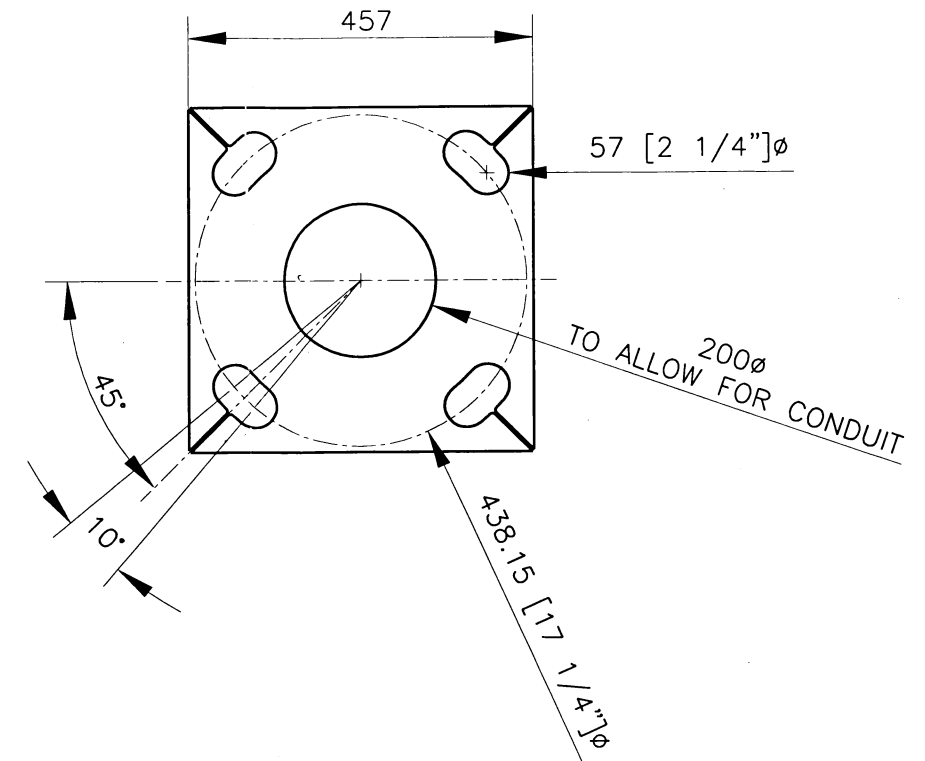
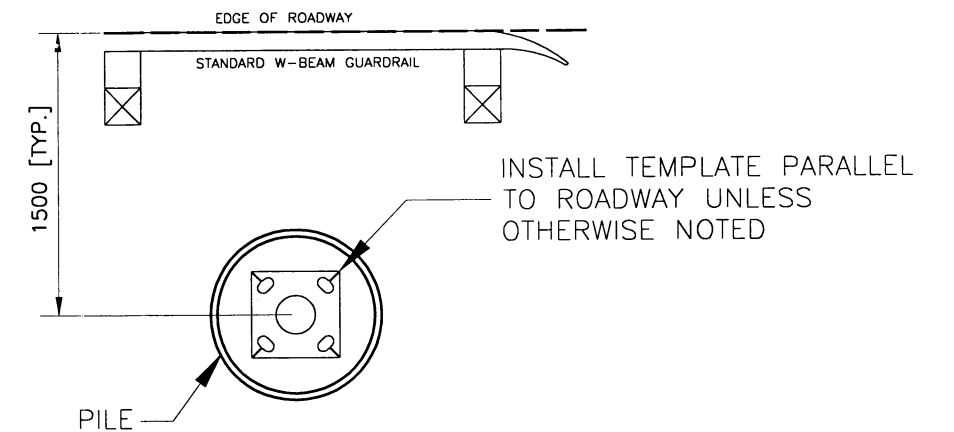


ANCHOR BOLT TEMPLATE SCALE 1:10



GENERAL ARRANGEMENT SCALE 1:40



NOTE: THIS DRAWING IS ONLY TO BE USED WITH STANDARD ADVANCE WARNING FLASHER STRUCTURES

D:\WORKING\102\0017\1020017017R001.DWG LAYOUT1.LYT 2003-08-06 10:25 BY ISREGANH

NO.	DESCRIPTION	DATE	NO.	REVISIONS	DATE	BY
11						
10						
9						
8						
7						
6						
5						
4						
3						
2						
1	BASE PLAN					

MUNICIPAL ENGINEERING		PUBLIC WORKS	
ENGINEER	ENGINEER	ENGINEER	ENGINEER
ENGINEER	ENGINEER	ENGINEER	ENGINEER
DRAWN BY	RPH	DRAWN BY	Avk 06/03
DATE	AUG 6 2003	DATE	
CHECKED BY		CHECKED BY	
DATE		DATE	



ADVANCE WARNING FLASHER STRUCTURE
PILE AND ANCHOR BOLT TEMPLATE

GENERAL MANAGER		P. ENG	
DATE	DATE	DATE	DATE
SCALE: AS NOTED	SHEET NO.	SCALE: AS NOTED	SHEET NO.
VERT.		VERT.	
PLAN NO.		PLAN NO.	
102-0017-017r001			