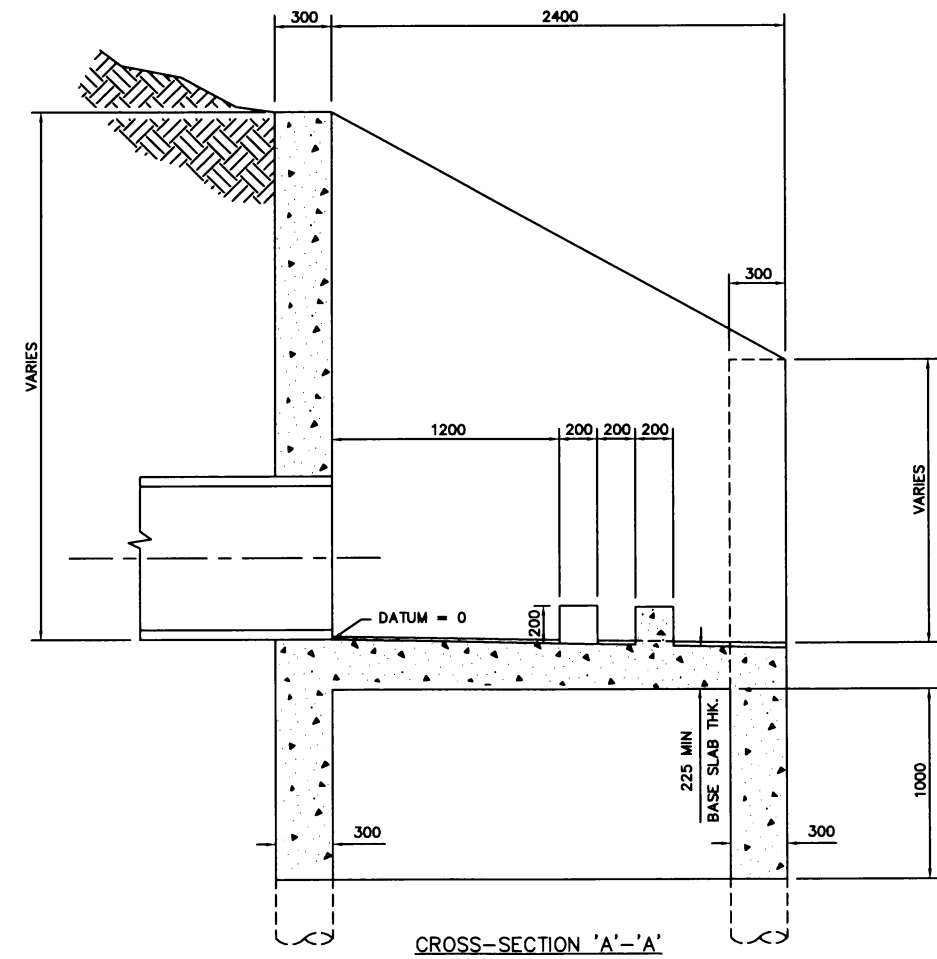
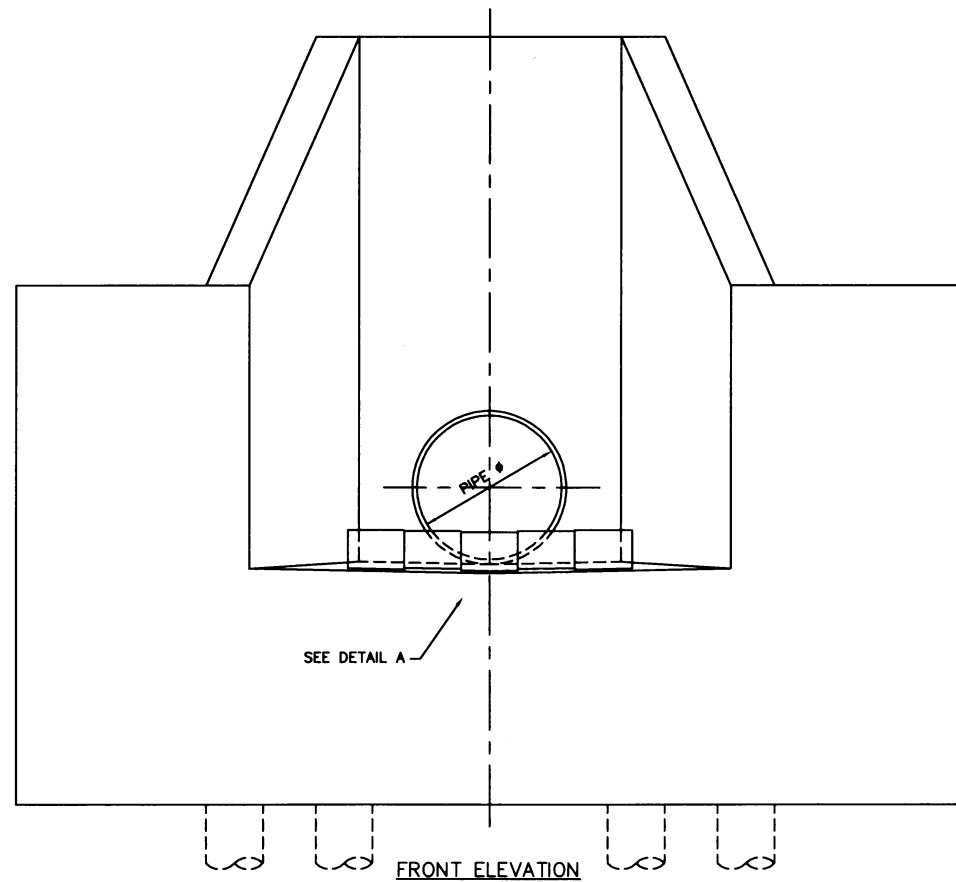


DETAIL A



CROSS-SECTION 'A'-'A'

ALL DIMENSIONS IN MILLIMETRES UNLESS OTHERWISE NOTED

11					
10					
9					
8					
7					
6					
5					
4					
3					
2					
1	BASE PLAN	JMH	06-01-25		
	DESCRIPTION	DATE	NO.	REVISIONS	DATE BY

STAMP		MUNICIPAL ENGINEERING	PUBLIC WORKS
		<i>A. Boyle</i>	
ENGINEER		ENGINEER	
ENGINEER		ENGINEER	
DRAWN BY		DRAWN BY	
DATE		DATE	
CHECKED BY		CHECKED BY	
DATE		DATE	



STORM SEWER OUTFALL

GENERAL MANAGER		DATE
<i>[Signature]</i>		
SCALES:	SHEET NO.	
HOR. 1:20		
VERT. -		
PLAN NO.		
102-0018-005r001		