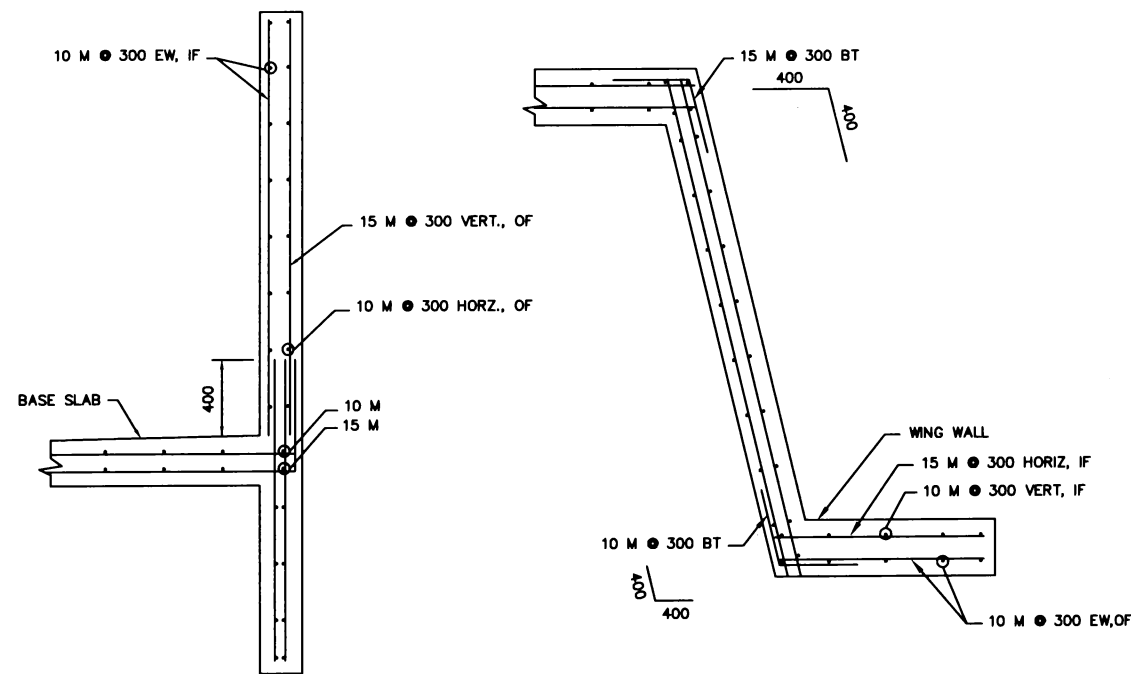
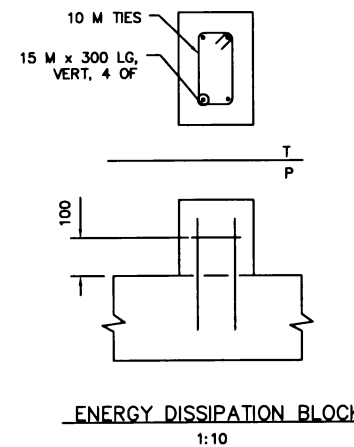


BASE SLAB REINFORCEMENT



SECTION B - B

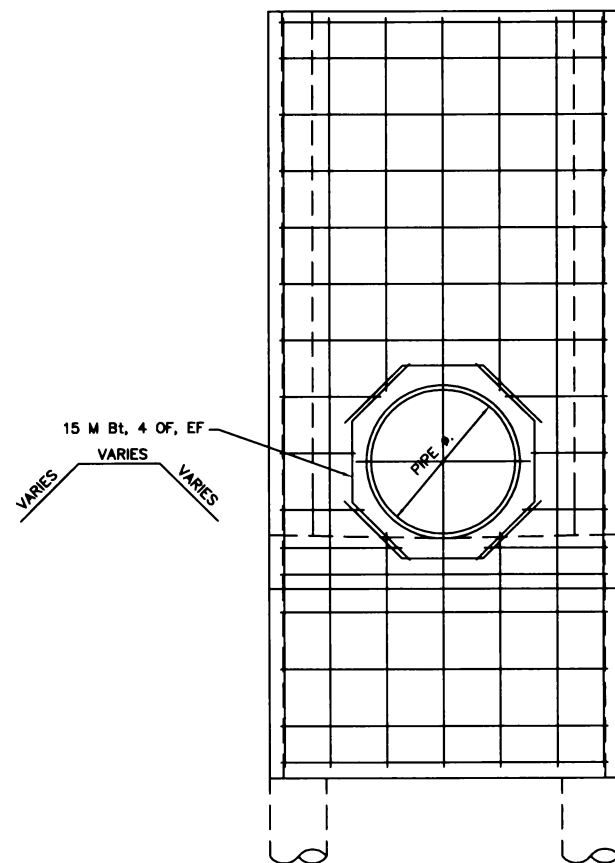
SECTION 'C'-'C'



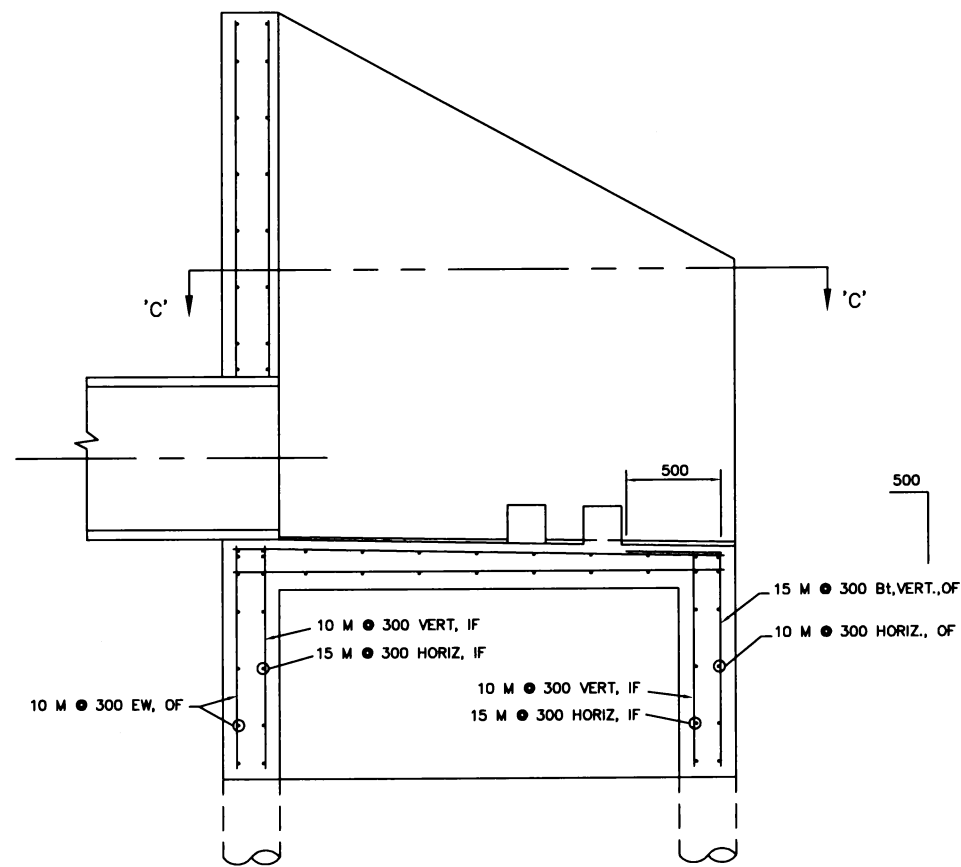
ENERGY DISSIPATION BLOCK  
1:10

GENERAL NOTES

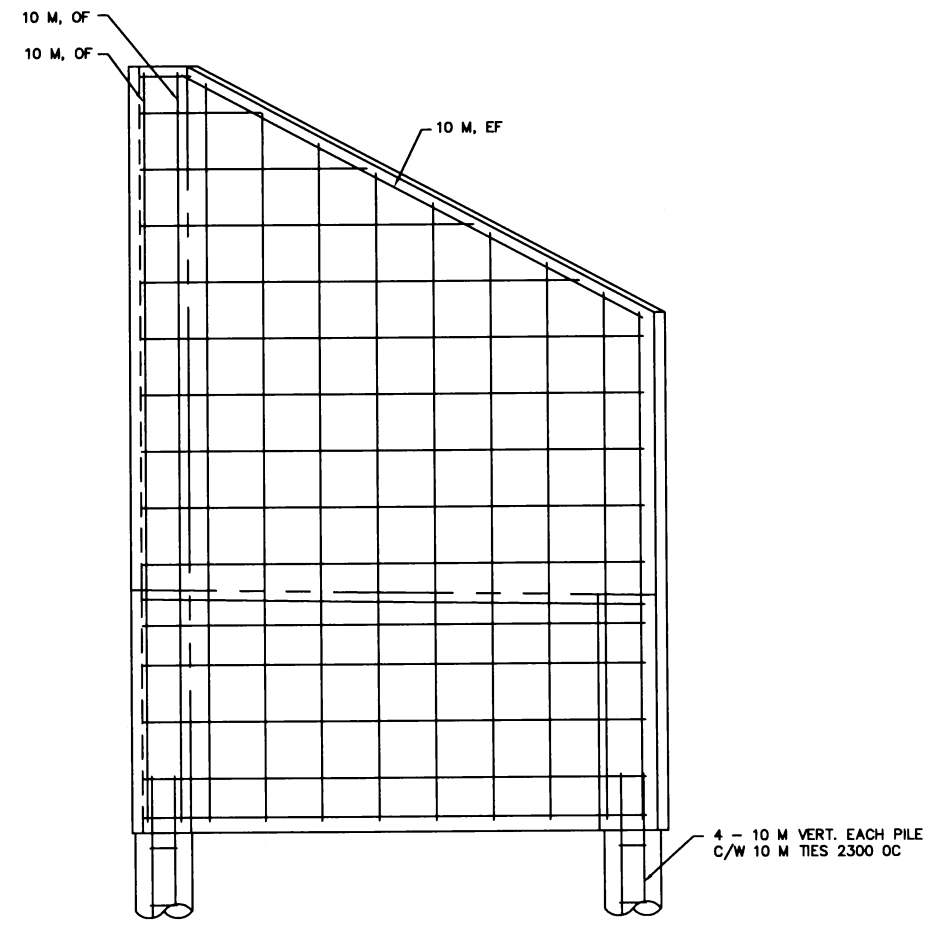
1. CONCRETE COVER FOR REINFORCING STEEL, UNLESS OTHERWISE NOTED ON DRAWING, SHALL BE  
a) 75 CLEAR - FORMED CONCRETE EXPOSED TO EARTH.  
b) 50 CLEAR - FORMED CONCRETE EXPOSED TO WATER OR WEATHER.
2. SULPHATE RESISTANT CONCRETE TO BE USED (30 MPa IN 28 DAYS) MAX. 19mm AGGREGATE.
3. ALL EXPOSED EDGES OF WALLS TO BE CHAMFERED.
4. USE DEFORMED BARS,  $f_y = 400\text{MPa}$ .
5. ALL FORMED SURFACES TO BE IN CONTACT WITH EARTH BACKFILL SHALL BE COVERED WITH TWO COATS OF EMULSIFIED ASPHALT WATERPROOFING.
6. CUT OR SPLAY REINFORCING STEEL AS REQUIRED FOR PIPE CLEARANCE.
7. BENDS IN REINFORCING STEEL SHALL CONFORM TO STANDARD BENDING DETAILS IN A.C.I. "351 - 80"
8. SPLICES OF REINFORCEMENT SHALL BE MADE ONLY AS REQUIRED OR PERMITTED ON DESIGN DWGS., IN SPECIFICATION OR AS AUTHORIZED BY THE DESIGN ENGINEER.
9. FOOTINGS TO REST ON UNDISTURBED SOIL.



REAR WALL REINFORCEMENT



SECTION A - A



SIDE WALL REINFORCEMENT

ALL DIMENSIONS IN MILLIMETRES UNLESS OTHERWISE NOTED

11						
10						
9						
8						
7						
6						
5						
4						
3						
2						
1	BASE PLAN	JMH	06-01-25			
	DESCRIPTION	DATE	NO.	REVISIONS	DATE	BY

STAMP	MUNICIPAL ENGINEERING	PUBLIC WORKS
	<i>A. Boyle</i>	
	ENGINEER	ENGINEER
	ENGINEER	ENGINEER
DRAWN BY _____	DRAWN BY _____	DRAWN BY _____
DATE _____	DATE _____	DATE _____
CHECKED BY _____	CHECKED BY _____	CHECKED BY _____
DATE _____	DATE _____	DATE _____



STORM SEWER OUTFALL REINFORCEMENT DETAILS

GENERAL MANAGER: *[Signature]* P. ENG

DATE: \_\_\_\_\_

SCALE: 1:20

HOR. \_\_\_\_\_

VERT. \_\_\_\_\_

SHEET NO. \_\_\_\_\_

PLAN NO. 102-0018-006r001