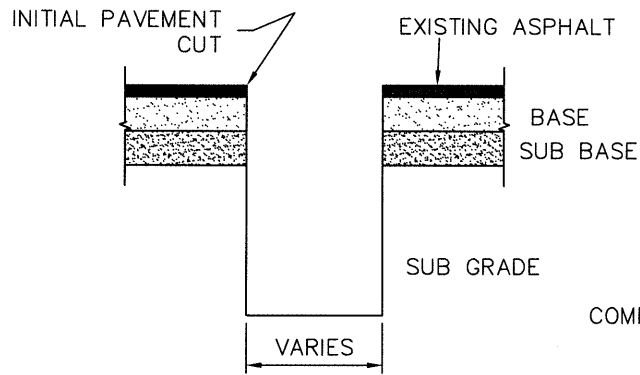
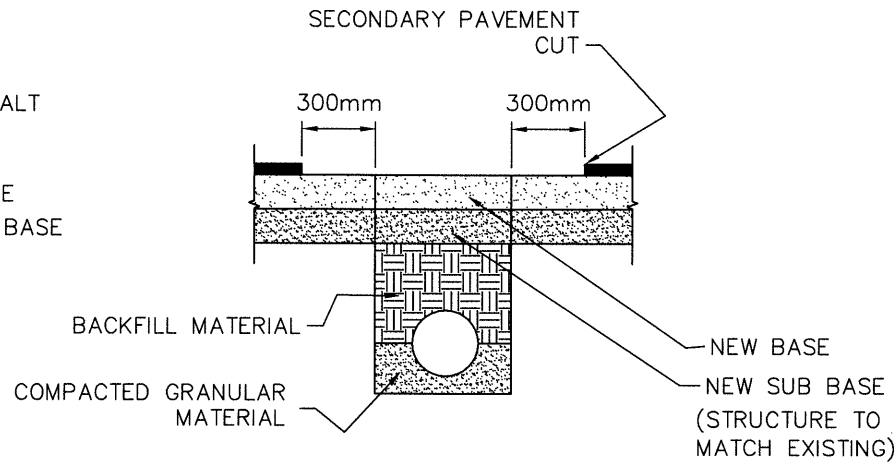


**VERTICAL-WALLED
TRENCH**

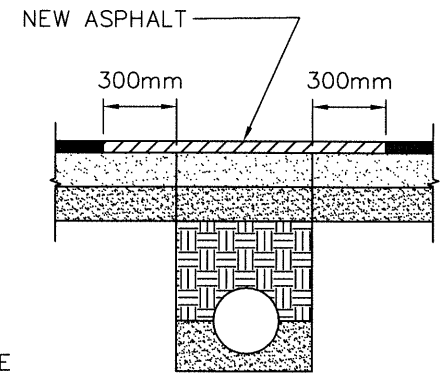
STEP 1



STEP 2



STEP 3


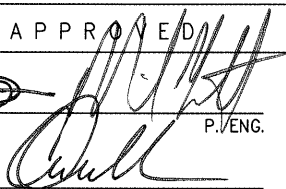


DRAWN BY _____
DATE 06/19/00
CHECKED BY _____
DATE _____

REVISIONS	
1	MATCH EXISTING STRUCTURE NOTE 15-DEC-2014 HLO
2	
3	



KEYING OF TRENCH

APPROVED	
 ENGINEER	 P. ENG.
ENGINEER	
SCALES : HOR. <u>NTS</u> VERT. _____	
PLAN NO. 102-0019-001r002	