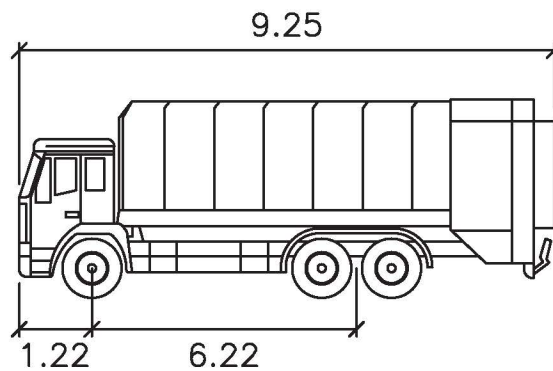




<u>VEHICLE NAME</u>	1285 INT SIDE LOADER
<u>SOURCE LIBRARY: AUTOTURN 10.2</u>	COS CUSTOM VEHICLES
<u>VEHICLE TYPE</u>	SIDE LOAD GARBAGE TRUCK
<u>CLASS</u>	REFUSE COLLECTION
<u>LOCK TO LOCK TIME</u>	6.0 SEC.
<u>STEERING LOCK ANGLE</u>	36.3 DEGREES
<u>UNITS OF MEASURE</u>	METERS
<u>OVERALL VEHICLE LENGTH</u>	9.25
<u># OF AXLES</u>	3
<u>TRACTOR WIDTH</u>	2.44
<u>MIN. TURNING RADIUS BASED ON CENTERLINE</u>	12.46 @ 90 DEGREES
<u>FRONT OVERHANG</u>	1.22
<u>REAR OVERHANG</u>	1.81



PLAN DESCRIPTION/REVISION			DATE	BY	 City of Saskatoon	APPROVALS	
1	ORIGINAL STANDARD DRAWING		2020-FEB-13	S.K			 <small>Chelsea Lanning (Apr 23, 2020)</small> SIGNATURE Chelsea Lanning
					DESIGN VEHICLE SIDE LOAD GARBAGE TRUCK	NAME Chelsea Lanning	NAME Matt Jurkiewicz
						DATE SIGNED Apr 23, 2020	DATE SIGNED Apr 30, 2020
						SCALES: HOR. N.T.S. VERT.	PLAN NO. 102-0029-048r001