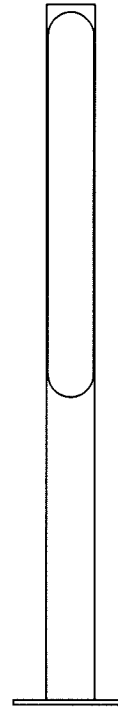
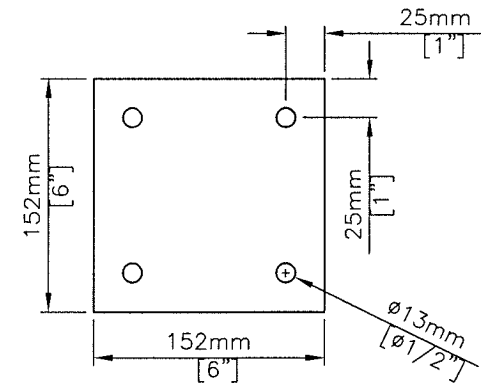


FRONT VIEW



SIDE VIEW



BASE PLATE DETAIL  
SCALE 1:5

NOTES:  
1. BICYCLE STAND TO BE GALVANIZED

PLAN DESCRIPTION/REVISIONS	
4	
3	
2	
1	ISSUED FOR TENDER
DRAWN BY <u>BAJ</u>	
DATE <u>2012-FEB-15</u>	
SCALE : HOR. <u>1:10</u> VERT. _____	



**City of Saskatoon**  
**Infrastructure Services Department**

BICYCLE STAND  
 SURFACE MOUNT INSTALLATION

APPROVED
<i>[Signature]</i>
GENERAL MANAGER
<i>[Signature]</i>
ENGINEER
<i>[Signature]</i>
ENGINEER
PLAN NO. 102-0038-001r001