

Montgomery Place - Unique Storm Water System

One of the unique features of the Montgomery Place neighbourhood is the network of ditches that provide drainage which helps protect yards and property from flooding during heavy rain and snow melt.

For the drainage system to work properly, it is the responsibility of each home owner to keep a clear path for the flow of water along the front of their property. Existing and new driveway crossings must follow the guidelines and standards under a Private Driveway Crossing Permit.

Can I fill in the ditch along my property for landscaping, parking, or a driveway?

No! The ditches are important for collecting and moving rain and snow melt water away from private property and roadways. A crossing (driveway) must include a culvert (large pipe) to keep the water flowing from one ditch to the next.

It's the law:

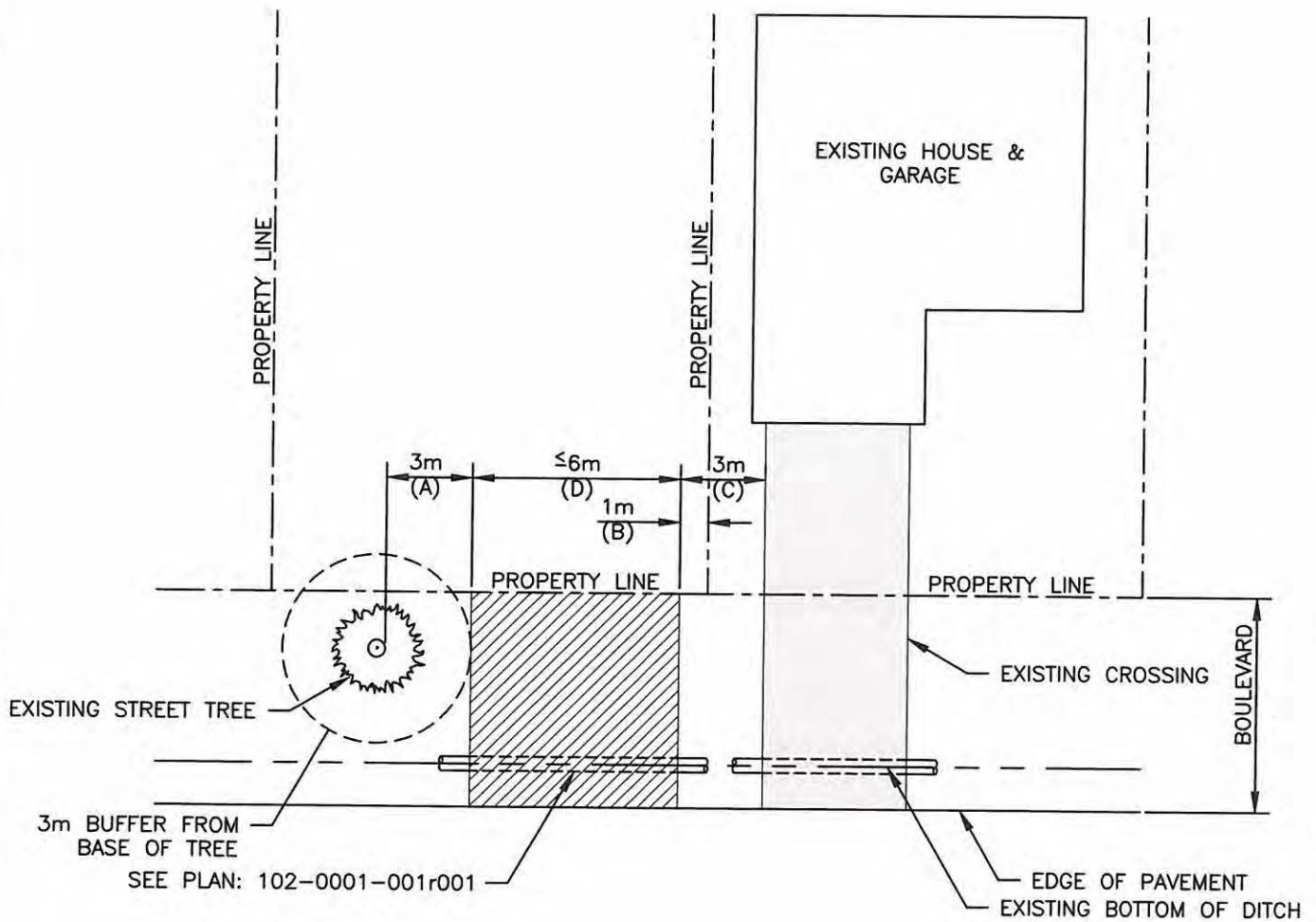
The Storm Water Management Utility Bylaw protects the surface drainage system in Montgomery Place by preventing property owners from interfering, restricting, or preventing the flow of water through the storm water drainage path in front of their property.

A **Private Driveway Crossing Permit** is required for construction of any driveway or landscaping project that crosses over the public right of way, including ditches, sidewalks, curbs, and back lanes (*The Private Crossing Bylaw*). The application process can protect you from expensive changes later on.

Email **DrivewayPermits@saskatoon.ca** for a permit application package, which includes the Standards and Specifications Guide for planning your driveway and culvert; or call **306-975-2454** to arrange an inspection.

For more information about City of Saskatoon crossing permits and related bylaws:

Visit **www.saskatoon.ca** and search “driveway crossing”
Or contact Transportation Right-of-Way at 306-975-2454



1. PROPOSED CROSSING MUST BE:
 - A. LOCATED 3m AWAY FROM BASE OF ANY EXISTING CITY OWNED TREE.
 - B. MINIMUM 1m FROM ANY PARALLEL PROPERTY LINES.
 - C. MINIMUM 3m FROM ANY EXISTING CROSSING.
 - D. WITHIN THE AREA SHOWN CROSS HATCHED AND MUST NOT EXCEED 6.1m IN WIDTH.

PLAN DESCRIPTION/REVISIONS	 City of Saskatoon Transportation & Utilities Department	APPROVED
4		 ENGINEER
3		
2		
1		
DRAWN BY <u>SJK</u> DATE <u>2018-SEP-17</u>	TYPICAL CROSSING DETAIL MONTGOMERY PLACE DITCH CROSSING	 ENGINEER
SCALE : HOR. <u>NTS</u> VERT. <u>NTS</u>		PLAN NO. 102-0036-010r001

NOTES:



1. MAXIMUM DRIVEWAYS WIDTHS SHALL BE THE LESSER OF:
 - a. RESIDENTIAL = 6.1m
 - b. COMMERCIAL = 10.7m
 - c. INDUSTRIAL = 12.2m

OR

ONE-THIRD OF PROPERTY FRONTAGE OR FLANKAGE.

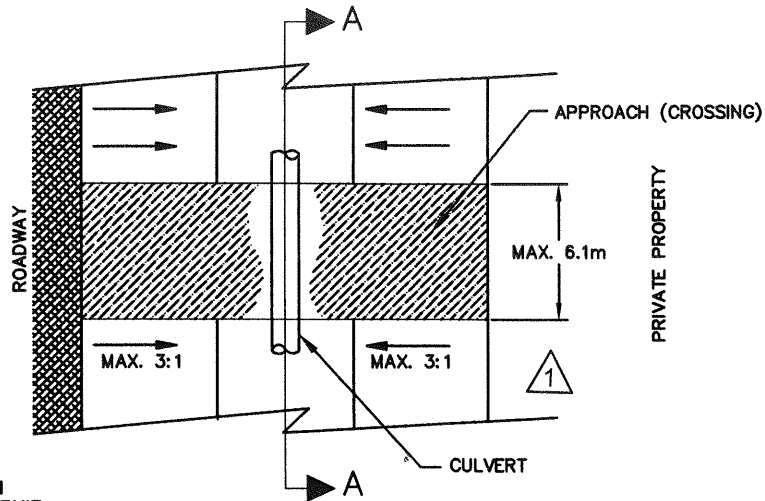
2. MINIMUM CULVERT SIZES SHALL BE AS BELOW:

- a. RESIDENTIAL = 300mm
- b. COMMERCIAL/ INDUSTRIAL = 450mm

3. ANY ALTERNATE CULVERT SIZE AND MINIMUM COVER SHALL BE REVIEWED AND APPROVED BY T&U DEPARTMENT.

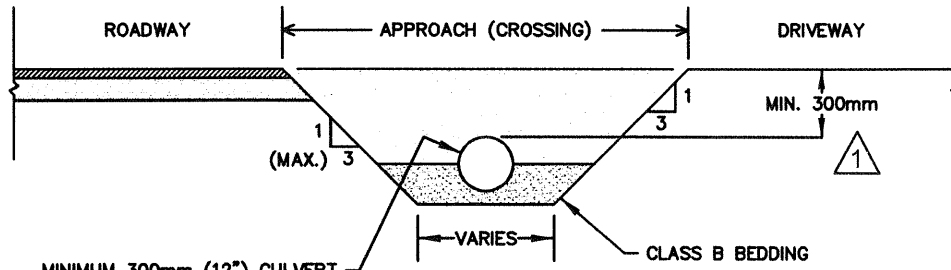
4. ALL DRIVEWAYS REQUIRE APPLICATION FOR PRIVATE DRIVEWAY CROSSING PERMIT.

PLAN VIEW



CITY OF SASKATOON
RIGHT-OF-WAY

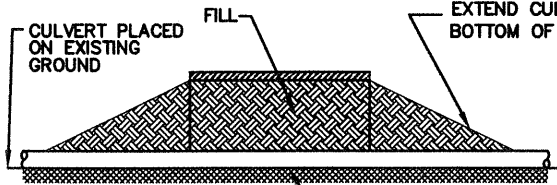
PRIVATE PROPERTY



MINIMUM 300mm (12") CULVERT
MATERIAL: CORRUGATED STEEL,
CORRUGATED POLY,
REINFORCED CONCRETE,
PVC

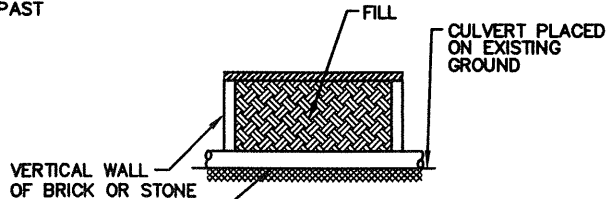
SECTION A-A

OPTION 1



SLOPE SIDES AT 3:1 &
EXTEND CULVERT PAST
BOTTOM OF SLOPE

OPTION 2



CULVERT
(PREFERRED MIN. 0.5% SLOPE)

NOTE:

IF DRIVEWAY CROSSINGS ARE IN CLOSE PROXIMITY THAT DOES NOT ALLOW 3:1 SIDE SLOPE, OPTION 2 (VERTICAL SIDE WALL) SHALL BE USED.

REVISIONS

1	DIMENSIONS CHANGE, NOTES ADDED EDH 2018-03-05
2	
3	
4	



**City of
Saskatoon**

Transportation & Utilities Department

ENGINEER

ENGINEER

**STANDARD DITCH CROSSING
CULVERT REQUIREMENTS**

PLAN NO. 102-0018-009r002

DRAWN BY MRH
DATE 2000-07-26

SCALES : HOR. NTS VERT.